

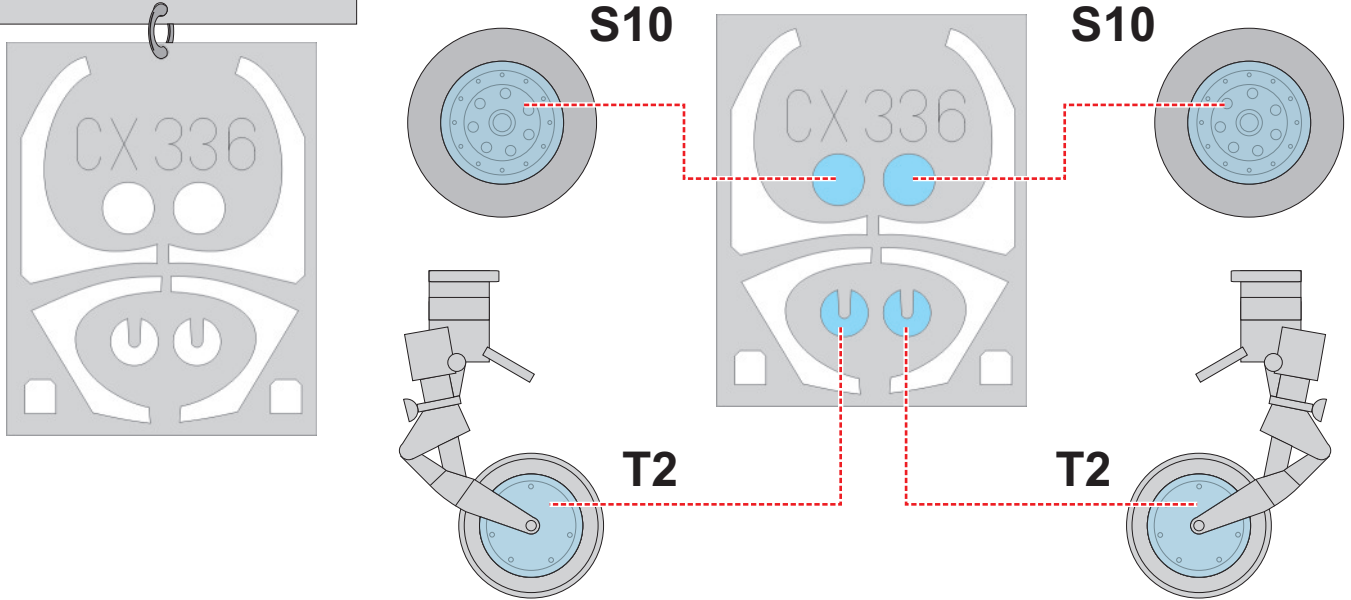
eduard
MASK

CX 336

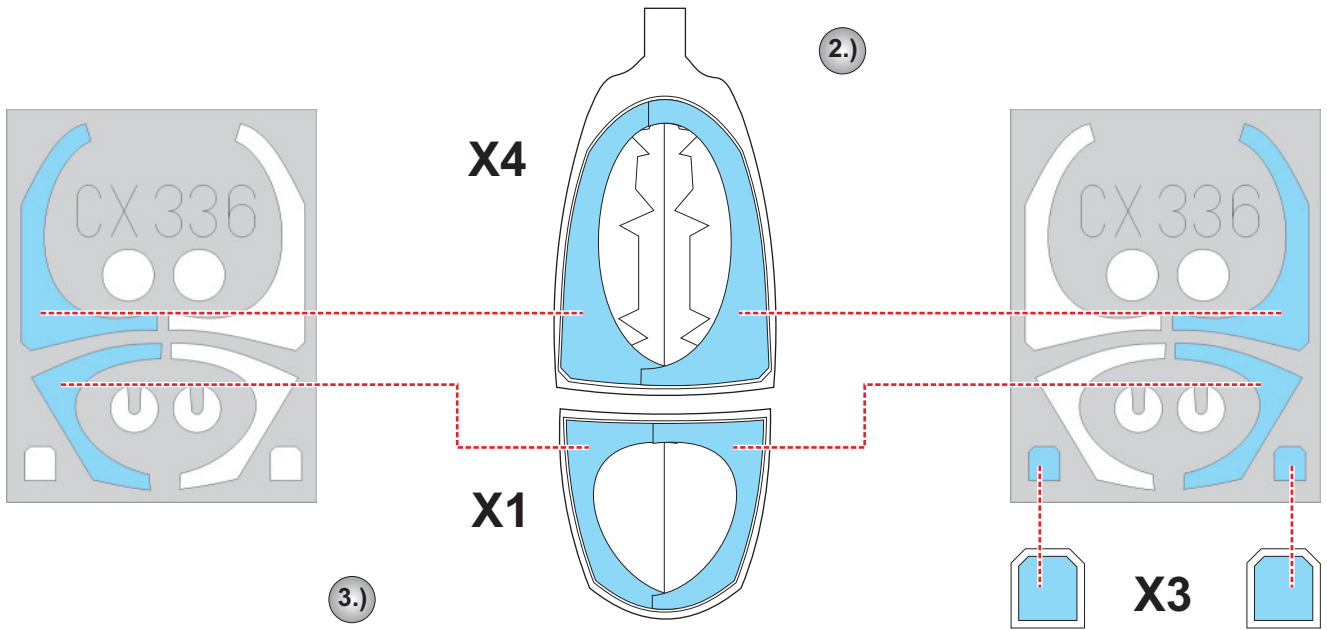
Harrier Gr.Mk.7/9 1/72

The die-cut mask for accurate canopy frame painting of the
Revell scale 1/72 KIT

1.)

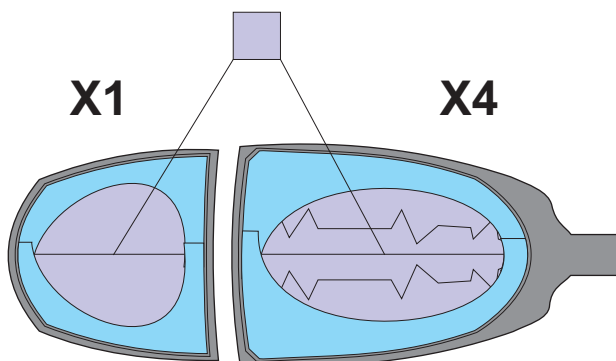


2.)



3.)

LIQUID MASK



4.)

