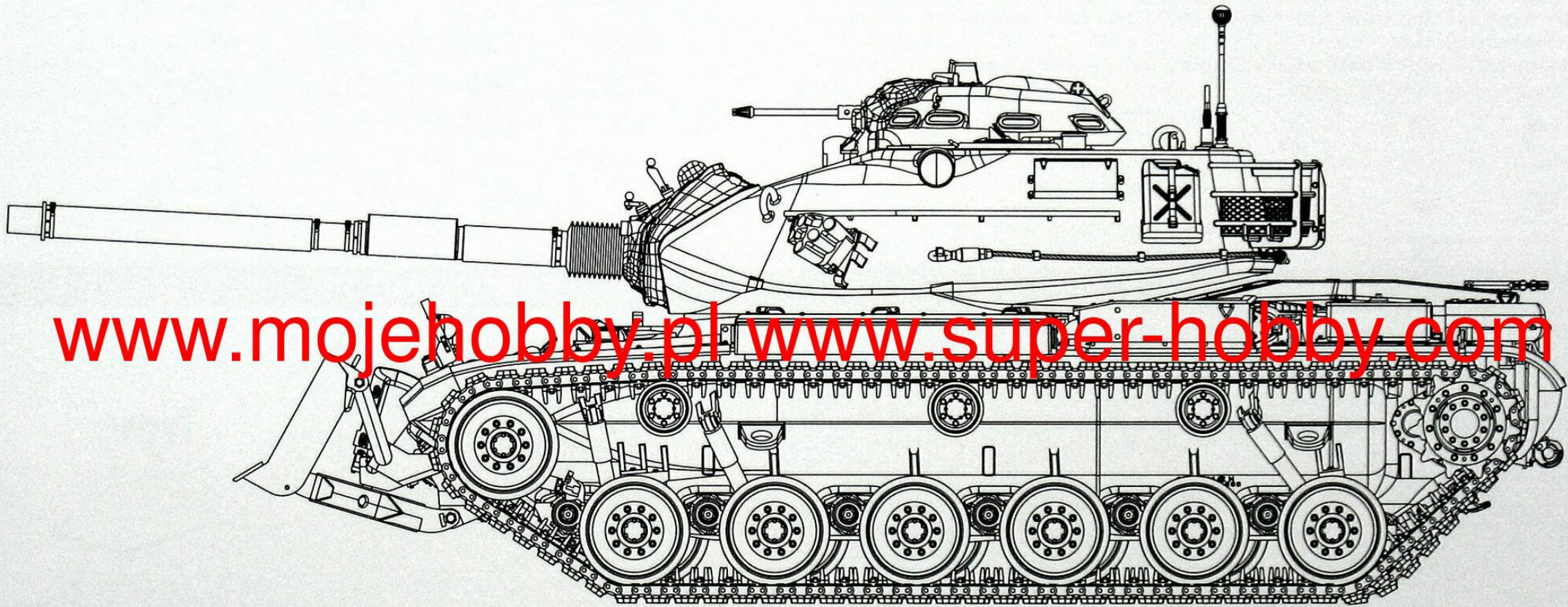


w/ M9 BULLDOZER



Evolving from the M48 through the M60, the M60A3 Patton tank was produced from 1962 through 1980. This newer variant featured a redesigned wedge-shaped turret with improved ballistic protection and a new mounting for the 105mm M68 main gun (modified from the excellent British L7 with a vertical sliding breech block), which could fire HE, Frag, AP, and HEAT rounds. Additional armament consisted of a coaxially mounted 7.62 mm M73 machine gun and a 12.7 mm M85 machine gun mounted in the commander's cupola. Further improvements consisted of increased armor thickness on the glacis and hull sides, as well as the installation of shock absorbers at the first two and last roadwheel stations. Powered by the improved 643 hp Continental AVDS-1790-2A V-12 twin turbo diesel engine coupled to the Allison CD-850-6A powershift cross-drive transmission, the tank weighed 58 tons and was served by a crew of four – commander, gunner, loader, and driver.

Work began on the bicentennial of the U.S.A. on the M60A3 variant, and featured numerous techno-enhancements and enhanced upgraded turret armor protection. The M60A3 tank was built in two configurations: the earlier M60A3 Passive uses the same passive gunner's sight as the M60A1 RISE Passive; the later version has a Tank Thermal Sight (TTS). This latter configuration replaced the gunner's sight with the Raytheon AN/VSG2 Tank Thermal Sight (TTS) and a Mercury-Cadmium-Telluride (HgCdTe) IR detector, allowing the gunner to see through fog, smoke and under starlight conditions without the aid of an IR searchlight, which improves first round hit capabilities.

READ BEFORE ASSEMBLY

CAUTION

- Read carefully and fully understand the instructions before commencing assembly. A supervising adult should also read the instructions if a child assembles the model.
- When assembling this kit, tools including knives used. Extra care should be taken to avoid personal injury.
- Keep out of reach of small children. Children must not be allowed to suck any part, or pull vinyl bag over their heads.

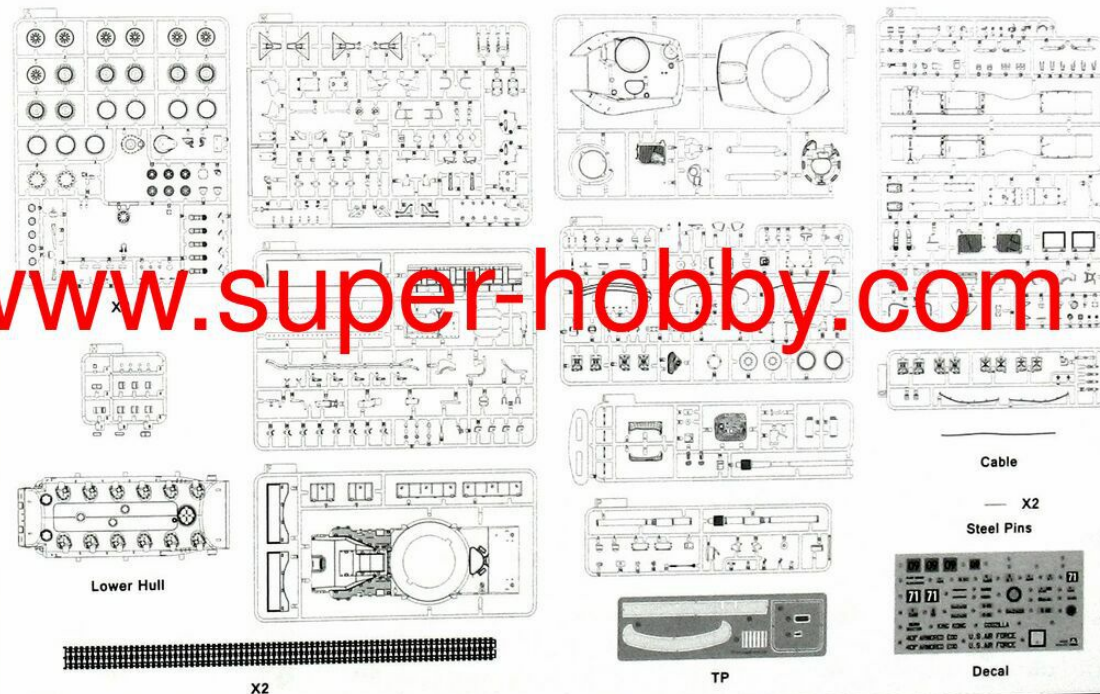


PAINTS REQUIRED

Color info and profiles by Mig Jimenez

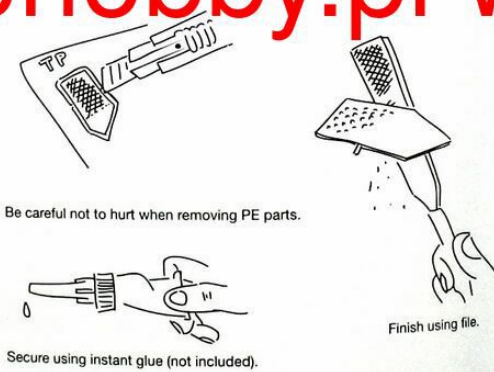
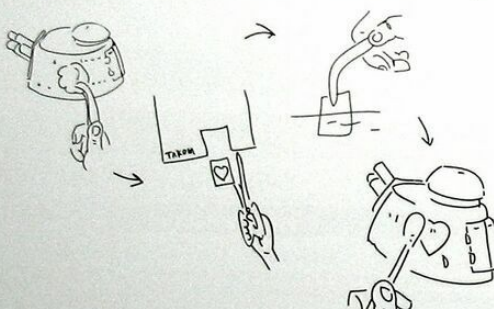
A.MIG-003 Dark Tracks	A.MIG-005 Rubber & Tires	A.MIG-002 Stan Black	A.MIG-004 Gun Metal
A.MIG-016 Silver	A.MIG-009 Crystal Green	A.MIG-006 Crystal Smoke	A.MIG-008 Crystal Back Blue
A.MIG-007 Olive Drab Light Blue	A.MIG-029 FS 34079 Green	A.MIG-004 Earth Brown	A.MIG-002 Desert Sand
A.MIG-006 Matt Black	A.MIG-000 Washable White Camo		

PARTS



www.moje hobby.pl www.super-hobby.com

1. Clean the model surface with a soft cloth.
2. Cut out each decal design from sheet and dip in liquid water for 15-20 sec.
3. Hold the backing sheet edge and slide decal onto the model.
4. Move decal into position by wetting decal with finger.
5. Press decal gently down with a soft cloth until excess water and air bubbles are gone.



Be careful not to hurt when removing PE parts.

Secure using instant glue (not included).

Finish using file.

Cable

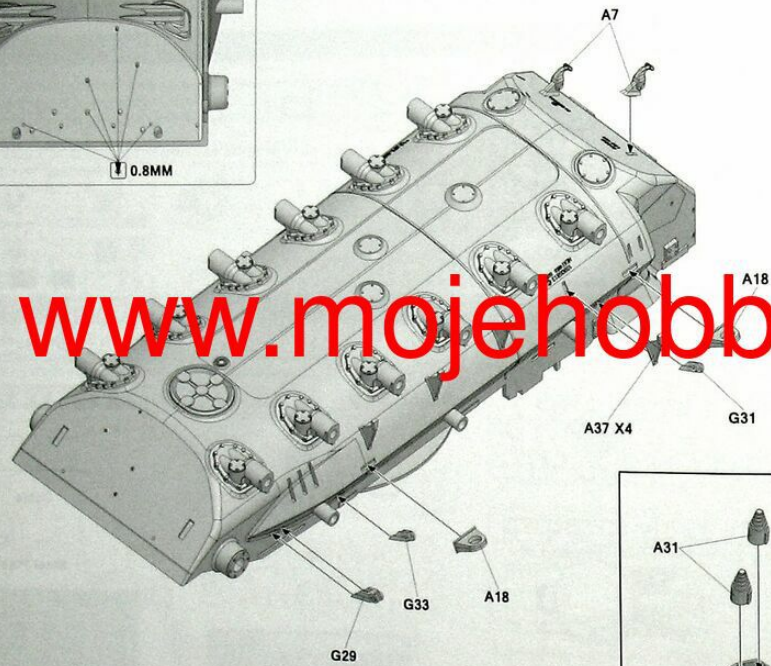
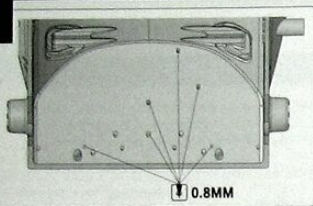
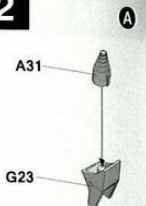
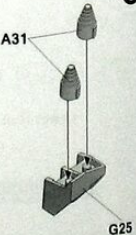
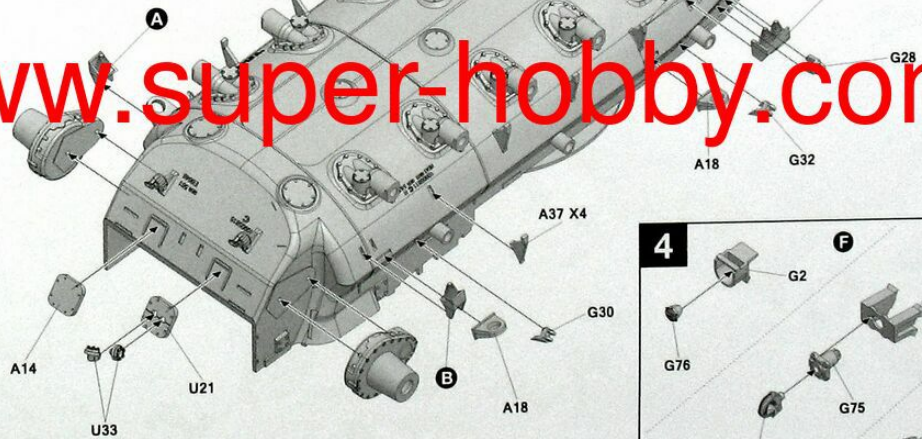
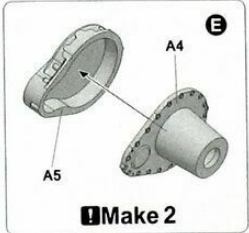
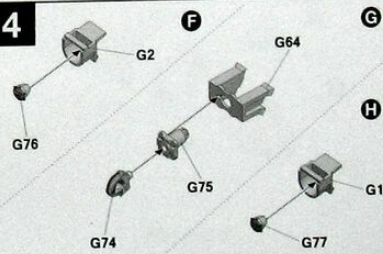
X2 Steel Pins

Decal

X2

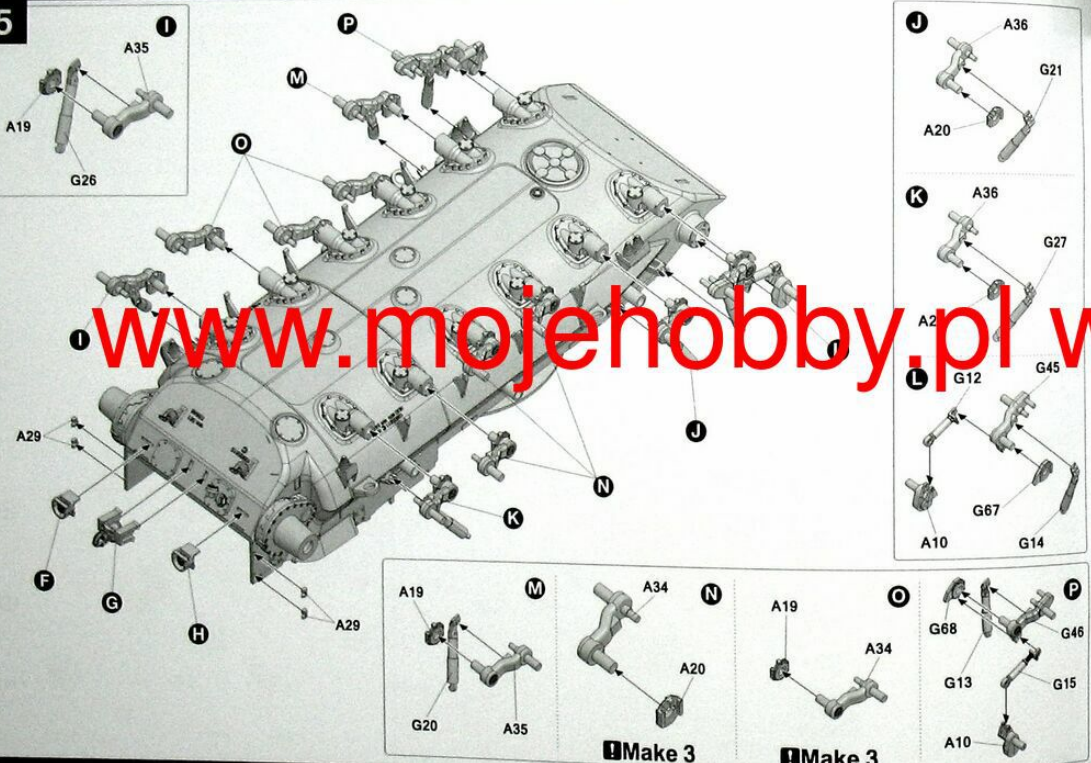
TP

Lower Hull

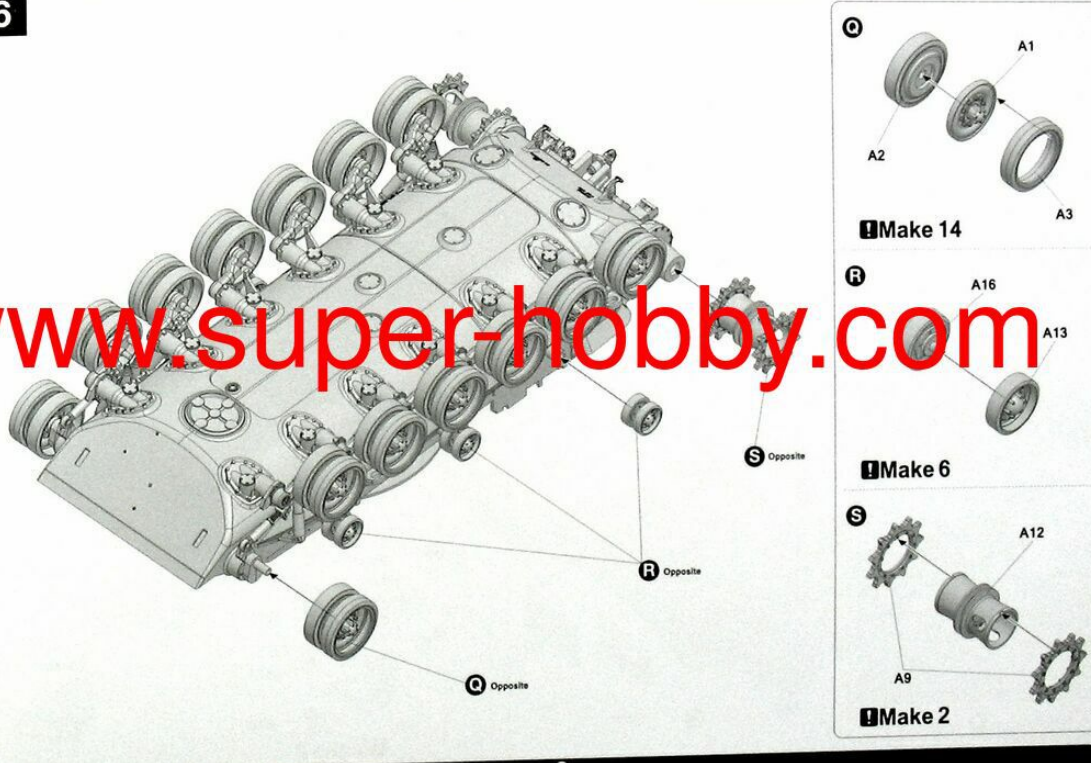
1**2****B****C****3****4**

www.mojehobby.pl www.super-hobby.com

5

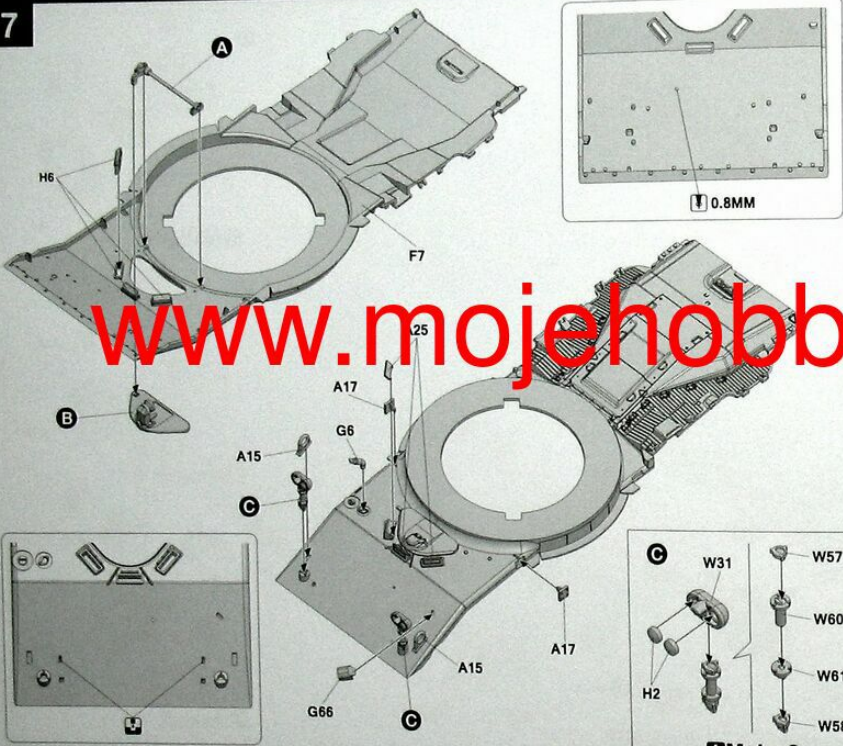


6

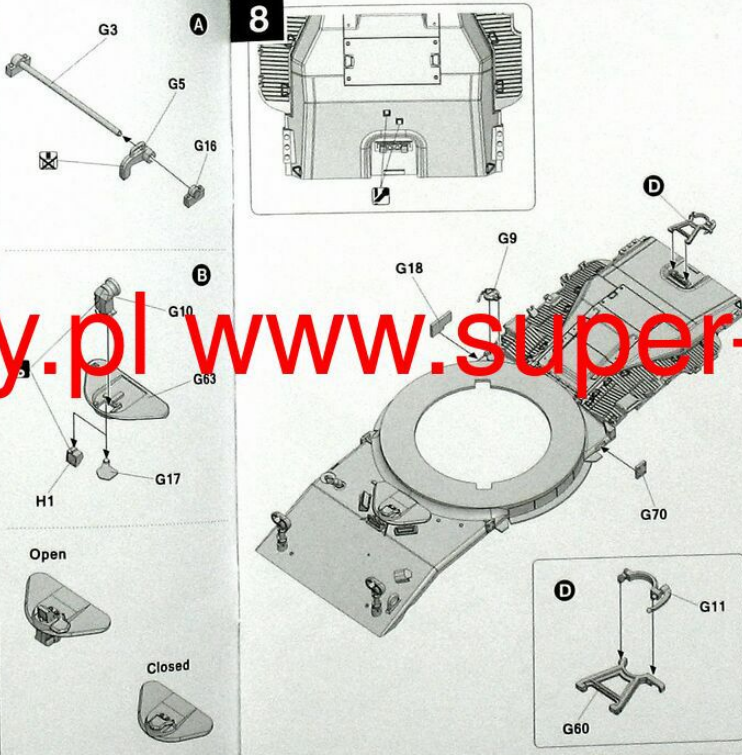


www.mojehobby.pl www.super-hobby.com

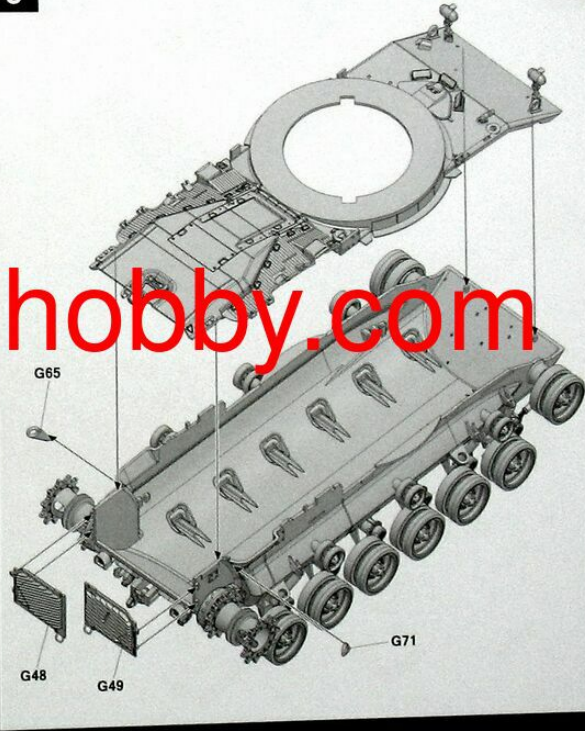
7



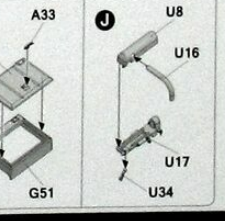
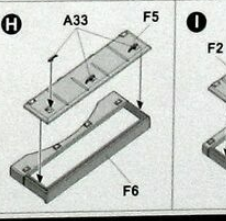
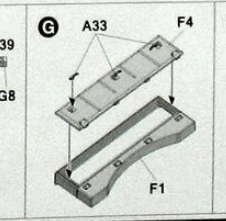
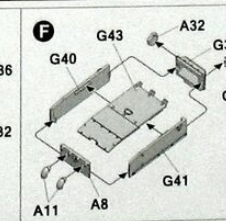
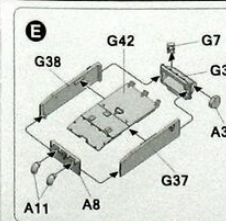
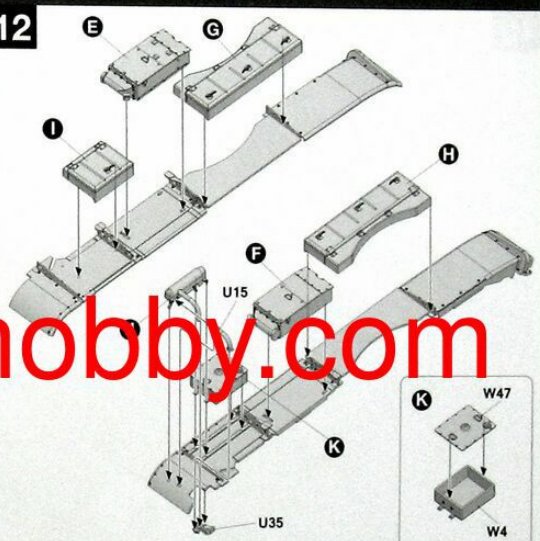
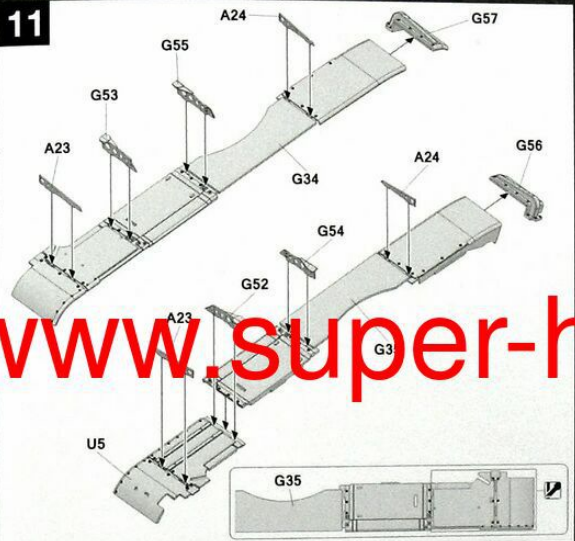
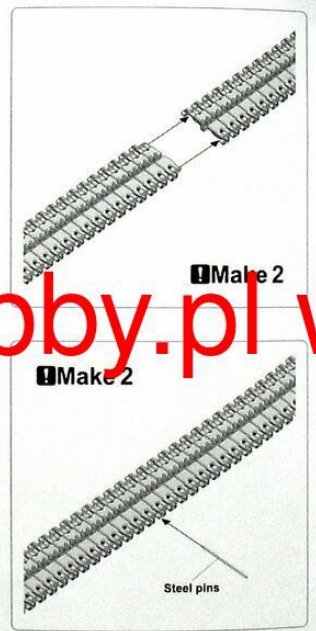
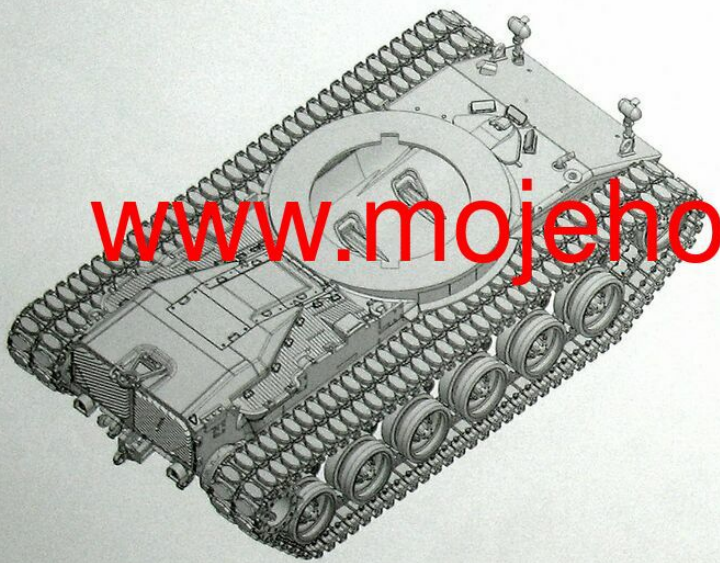
8



9

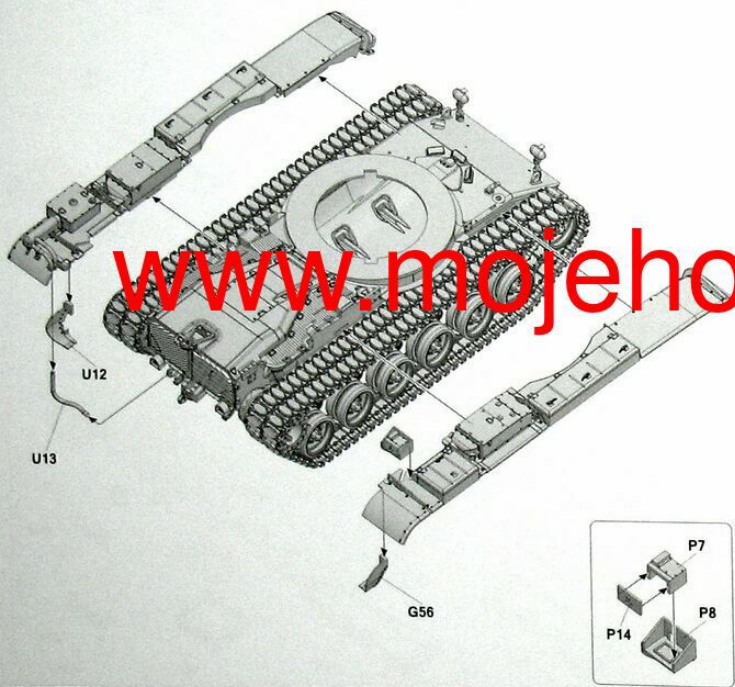


www.mojehobby.pl www.super-hobby.com

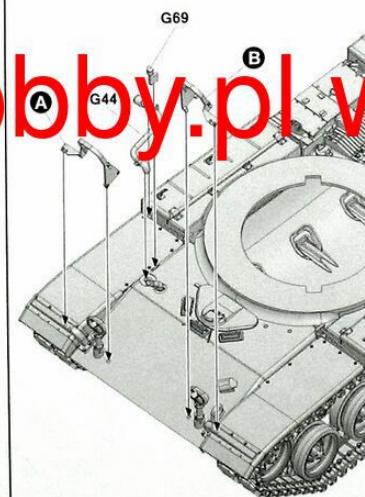
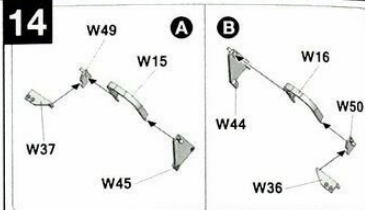


www.mojehobby.pl www.super-hobby.com

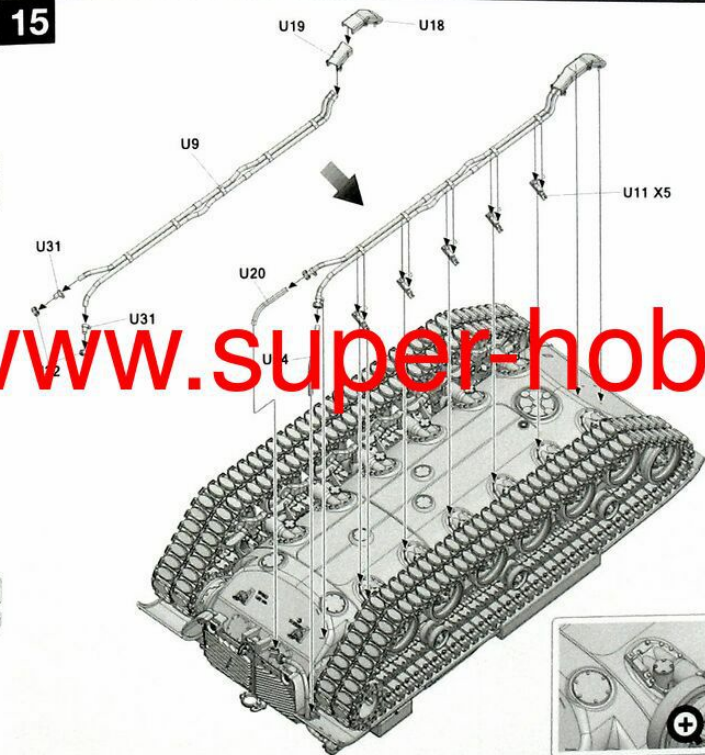
13



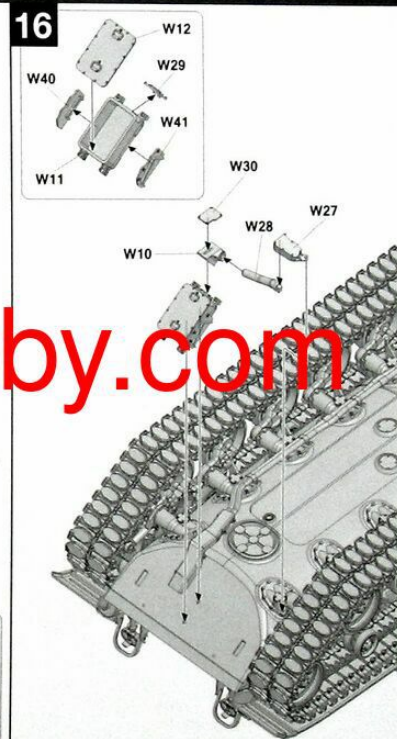
14



15



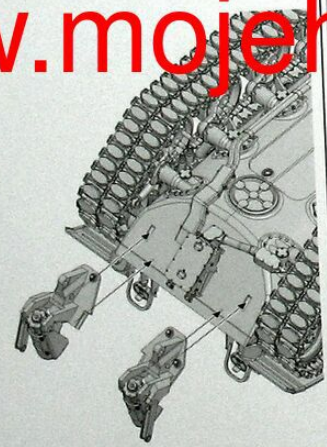
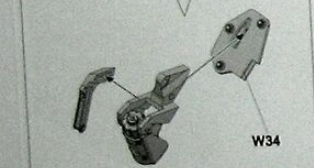
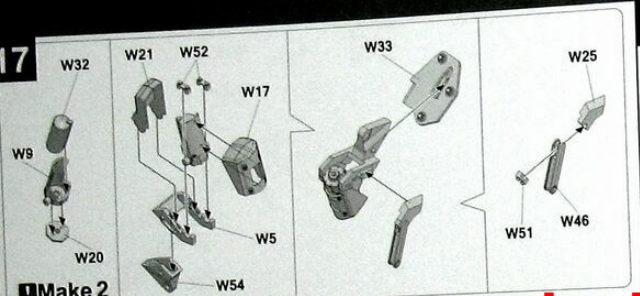
16



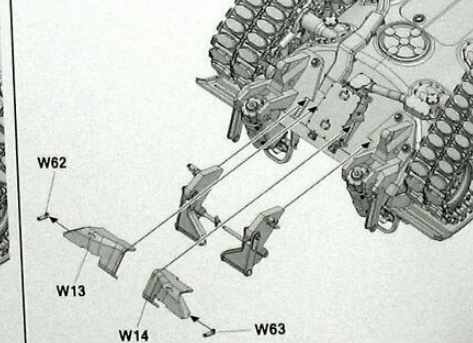
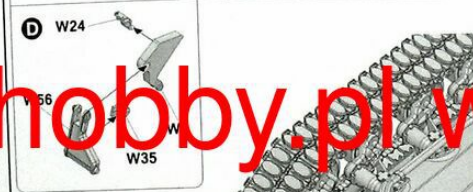
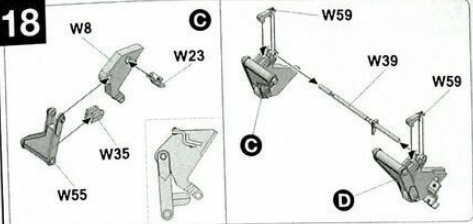
www.moje hobby.pl www.super-hobby.com

17

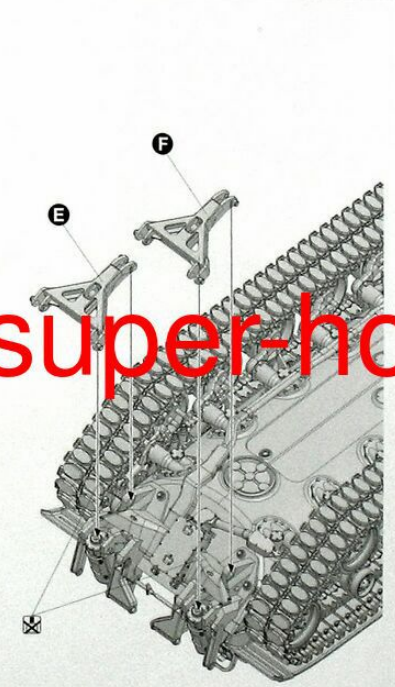
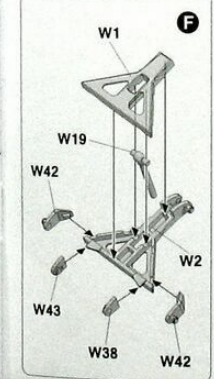
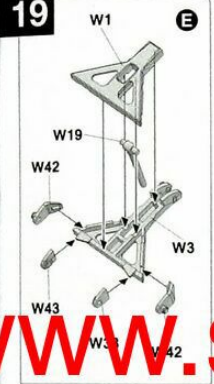
Make 2



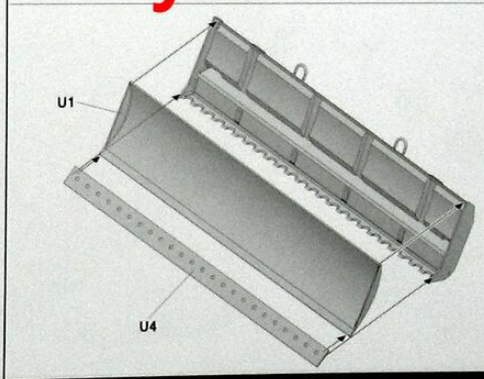
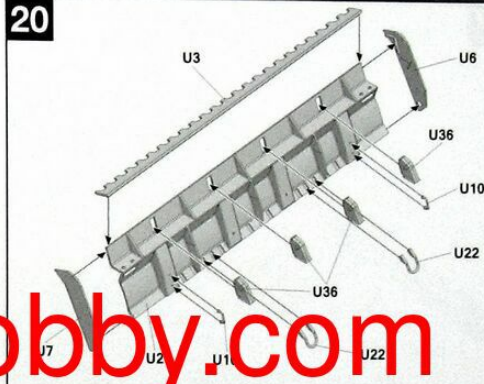
18



19

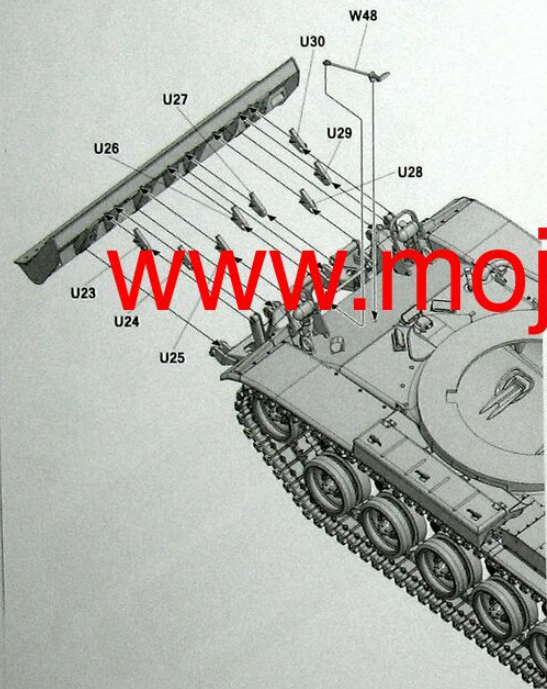


20

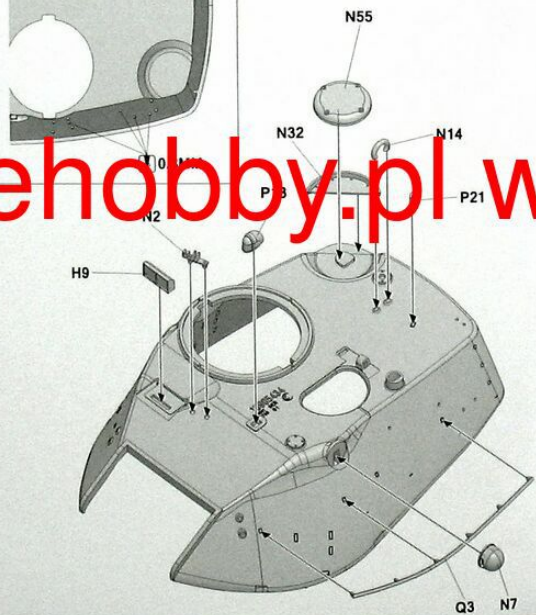
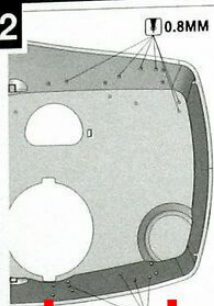


www.mojehobby.pl www.super-hobby.com

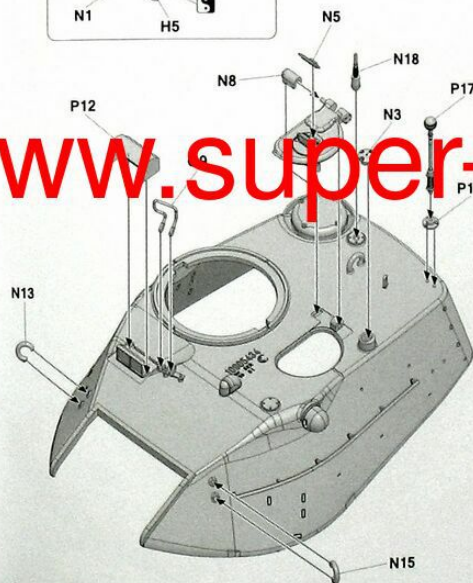
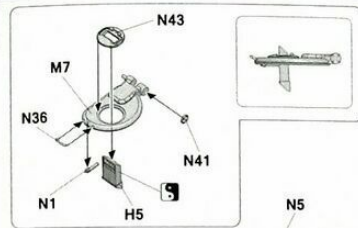
21



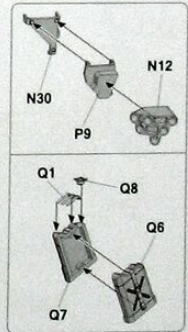
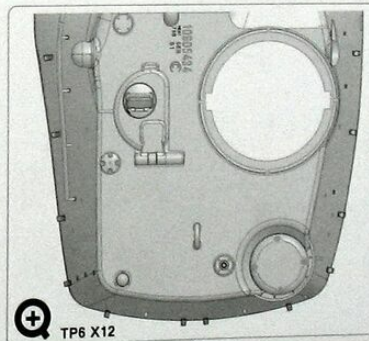
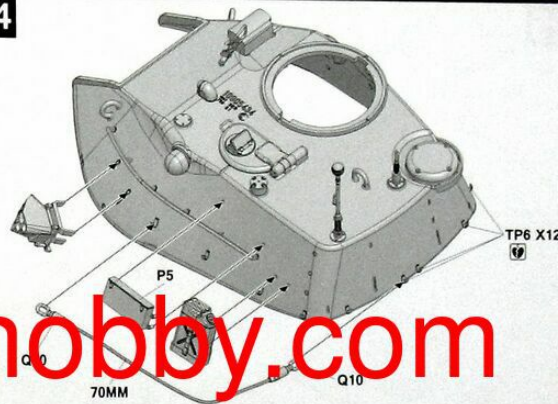
22



23

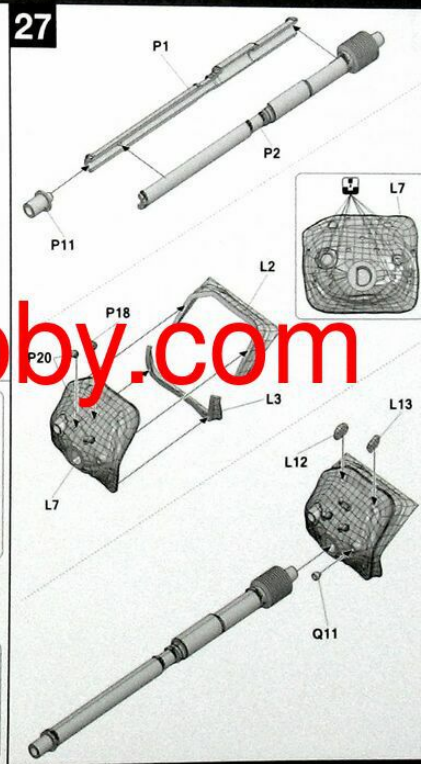
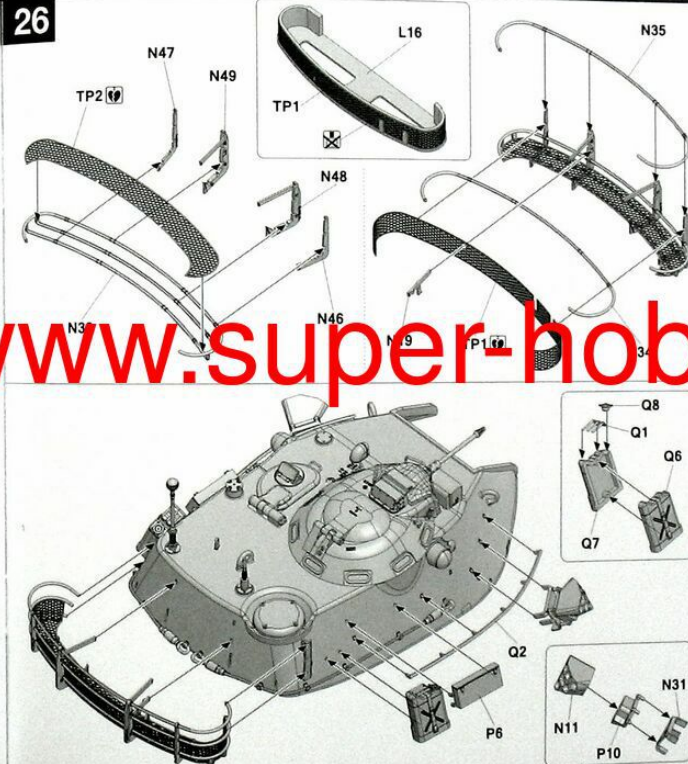
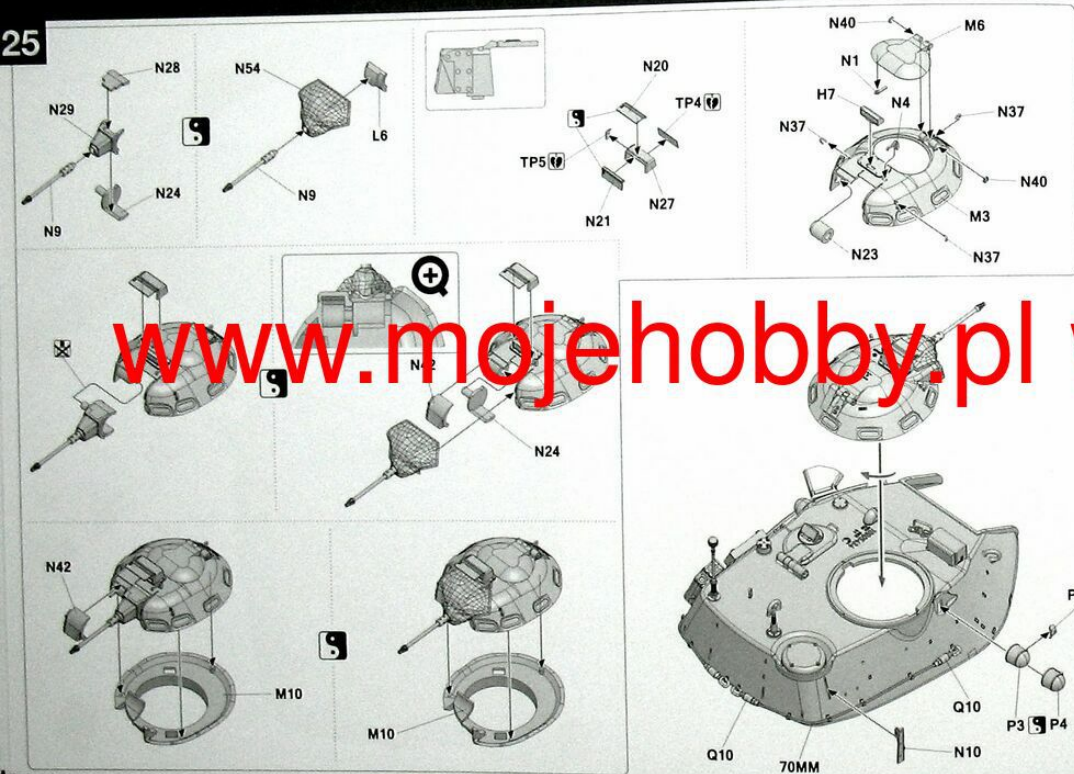


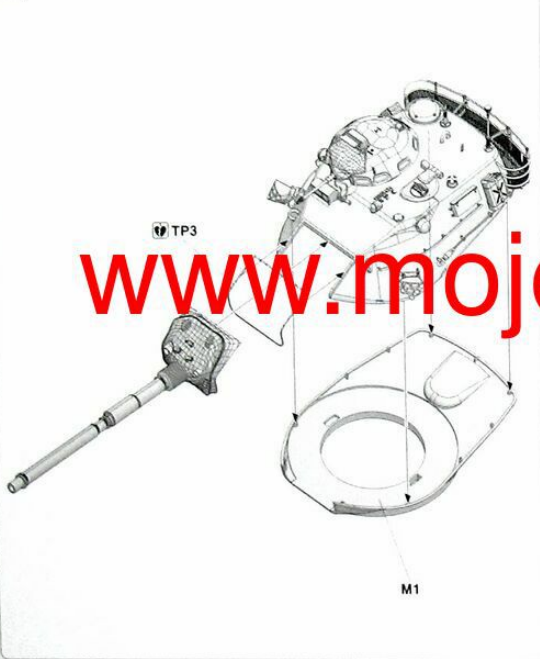
24



16

www.mojeobby.pl www.super-hobby.com





www.mojehobby.pl www.super-hobby.com



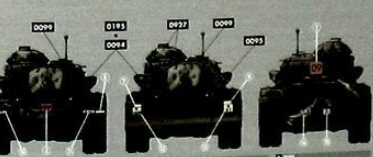
M60A3 TTS

with M9 Dozer Blade



Painting and Marking Guide
 TAKOM Ref: 2137
 M60A3 TTS with M9 Dozer Blade
 8 Company, 4th Battalion,
 53rd Armored Regiment,
 1st Brigade, 9th U.S.
 Infantry Division, REFORGER 83,
 Exercise "Simplified Enterprise"
 Federal Republic of Germany,
 September 1983.

A.MC-001	A.MC-002	A.MC-003	A.MC-004	A.MC-005	A.MC-006
A.MC-007	A.MC-008	A.MC-009	A.MC-010	A.MC-011	A.MC-012
A.MC-013	A.MC-014	A.MC-015	A.MC-016	A.MC-017	A.MC-018



RECOMMENDED STEPS WITH AMMO PRODUCTS

1. GUNNERS VISOR	2. STEEL MESH	3. BARRIERS	4. MESH	5. TURRET
A.MC-1208 Dark Wash	A.MC-1208 Dark Striking Glaze	A.MC-1208 Greening Primer Wash	A.MC-1208 Greening Primer Wash	A.MC-1208 Dark Grey to White
A.MC-1208 Dark Wash	A.MC-1208 Dark Striking Glaze	A.MC-1208 Greening Primer Wash	A.MC-1208 Greening Primer Wash	A.MC-1208 Dark Grey to White



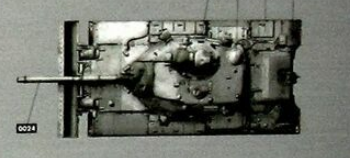
M60A3 TTS

with M9 Dozer Blade



Painting and Marking Guide
 TAKOM Ref: 2137
 M60A3 TTS with M9 Dozer Blade
 D Company, 2nd Battalion,
 53rd Armored Regiment,
 2nd Brigade, 9th U.S.
 Infantry Division, REFORGER 83,
 Exercise "Simplified Enterprise"
 Federal Republic of Germany,
 January 1983.

A.MC-001	A.MC-002	A.MC-003	A.MC-004	A.MC-005	A.MC-006
A.MC-007	A.MC-008	A.MC-009	A.MC-010	A.MC-011	A.MC-012
A.MC-013	A.MC-014	A.MC-015	A.MC-016	A.MC-017	A.MC-018



RECOMMENDED STEPS WITH AMMO PRODUCTS

1. GUNNERS VISOR	2. STEEL MESH	3. BARRIERS	4. MESH	5. TURRET
A.MC-1208 Dark Wash	A.MC-1208 Dark Striking Glaze	A.MC-1208 Greening Primer Wash	A.MC-1208 Greening Primer Wash	A.MC-1208 Dark Grey to White
A.MC-1208 Dark Wash	A.MC-1208 Dark Striking Glaze	A.MC-1208 Greening Primer Wash	A.MC-1208 Greening Primer Wash	A.MC-1208 Dark Grey to White