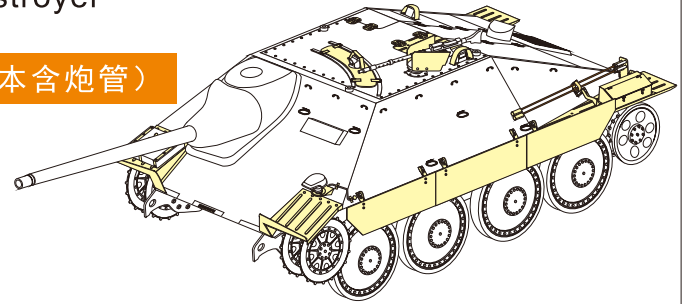


1/35 MILITARY MINIATURE VEHICLE UPGRADE SERIES PE351038

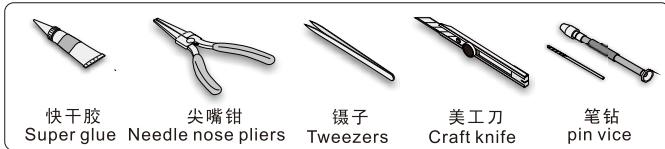
## WWII German Sd.Kfz. 138/2 Hetzer Tank Destroyer Middle Version (B ver include Gun Barrel)














二战德军追猎者坦克歼击车中期型改造件 (B版本含炮管)


[For DRAGON 6037 6066 9148]



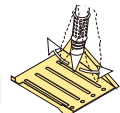
■ 推荐使用工具 RECOMMENDED TOOLS




-   
 安装  
install
-   
 折叠  
bend
-   
**A1**  
 改造件零件编号  
PE/resin part number
-   
**B12**  
 原零件编号  
kit part number
-   
**C22**  
 被替换的原零件编号  
replaced kit part number
-   
 另一侧相同制作  
repeat on opposite side
-   
 切除  
remove
-   
 打磨  
grind off
-   
 弧度卷曲  
radial bending
-   
**x2**  
 制作若干组  
multiple assembly
-   
 选择安装  
alternative
-   
 钻孔  
drill
-   
 用胶棒制作  
make from plastic rod

  
 用尖端在凹槽处冲压  
use penpoint to press on the dent


蚀刻片零件内朝面向上  
Put the part upside down  
 用笔尖在凹槽处刺  
Use penpoint to press on the dent



[Http://www.voyagermodel.com/  
productdetails.asp?itemid=PE351038](http://www.voyagermodel.com/productdetails.asp?itemid=PE351038)



**VOYAGER MODEL**

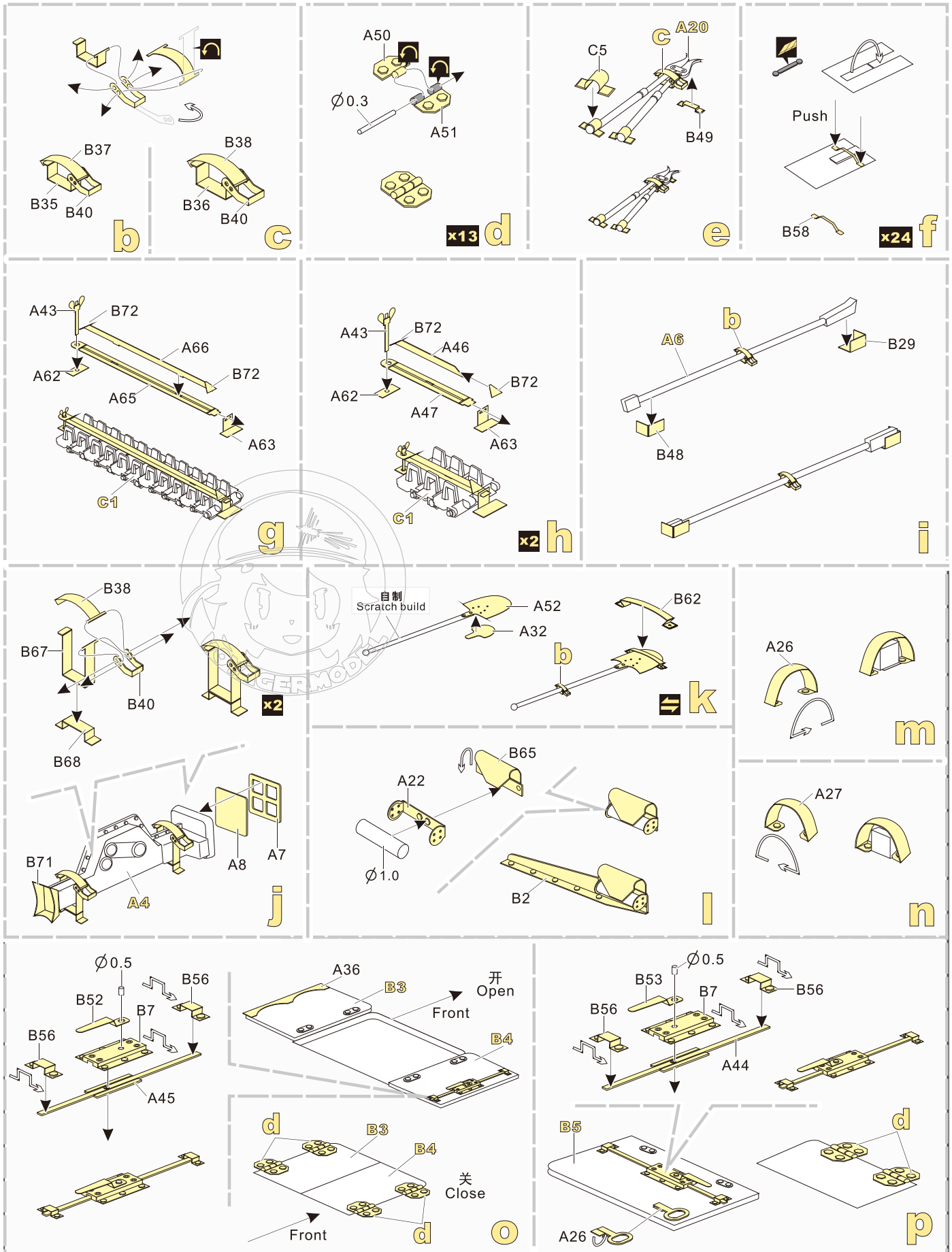

 PE351038СЖХЖІЗЙТЙ  
 MORE PICTUER OF PE 351038  
 REFERENCE SCAN HERE

**剖面** Cross section

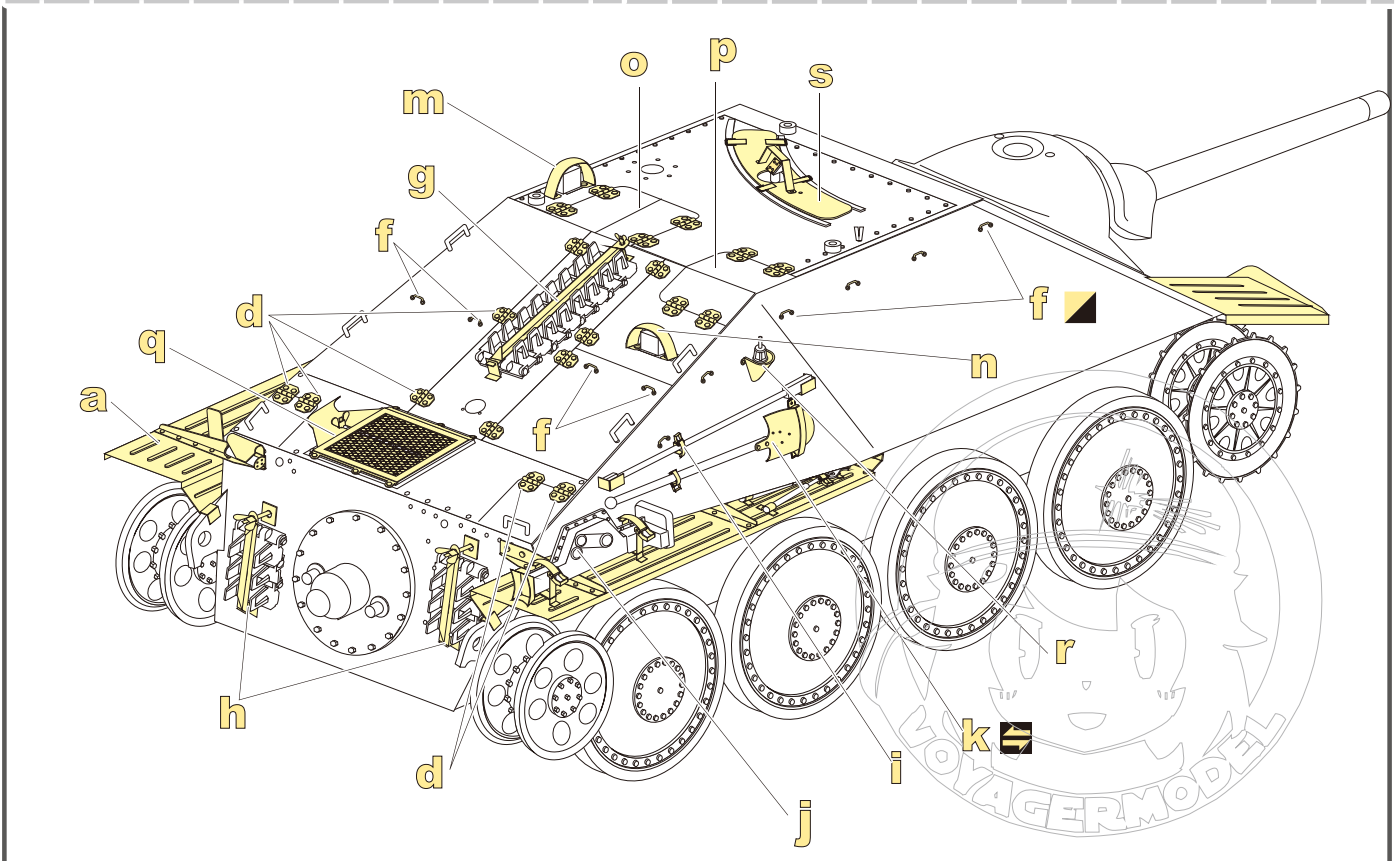
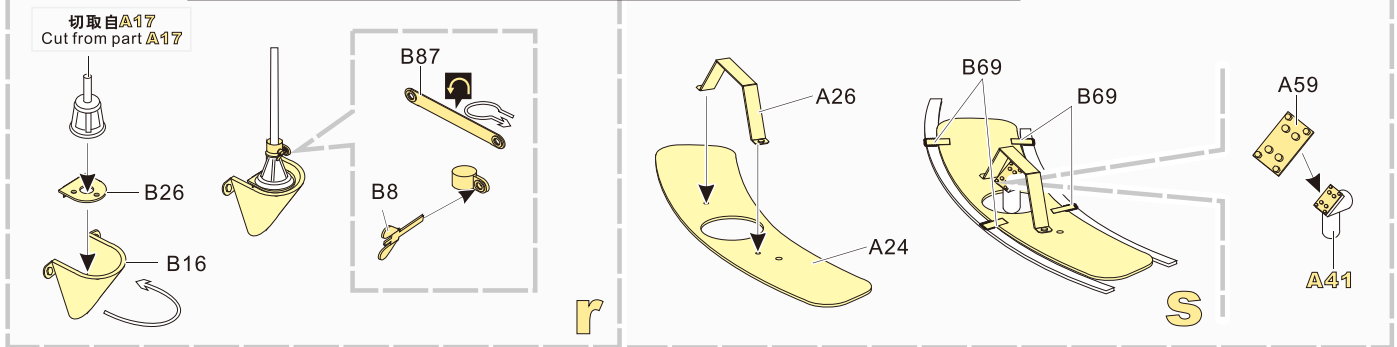
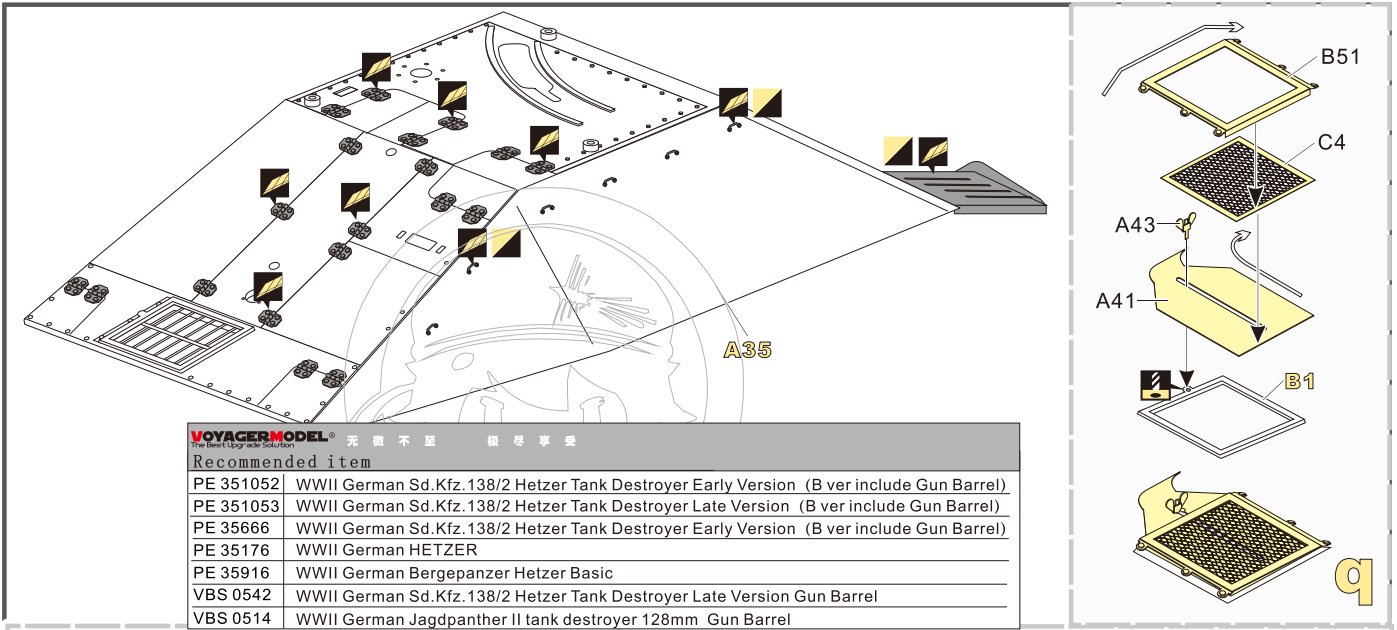
**A56[A54]**    **A64[A57]**    **A15[A16]**    **A5**    **B3**    **A17**    **A63**

**B14, B13**    **B59**

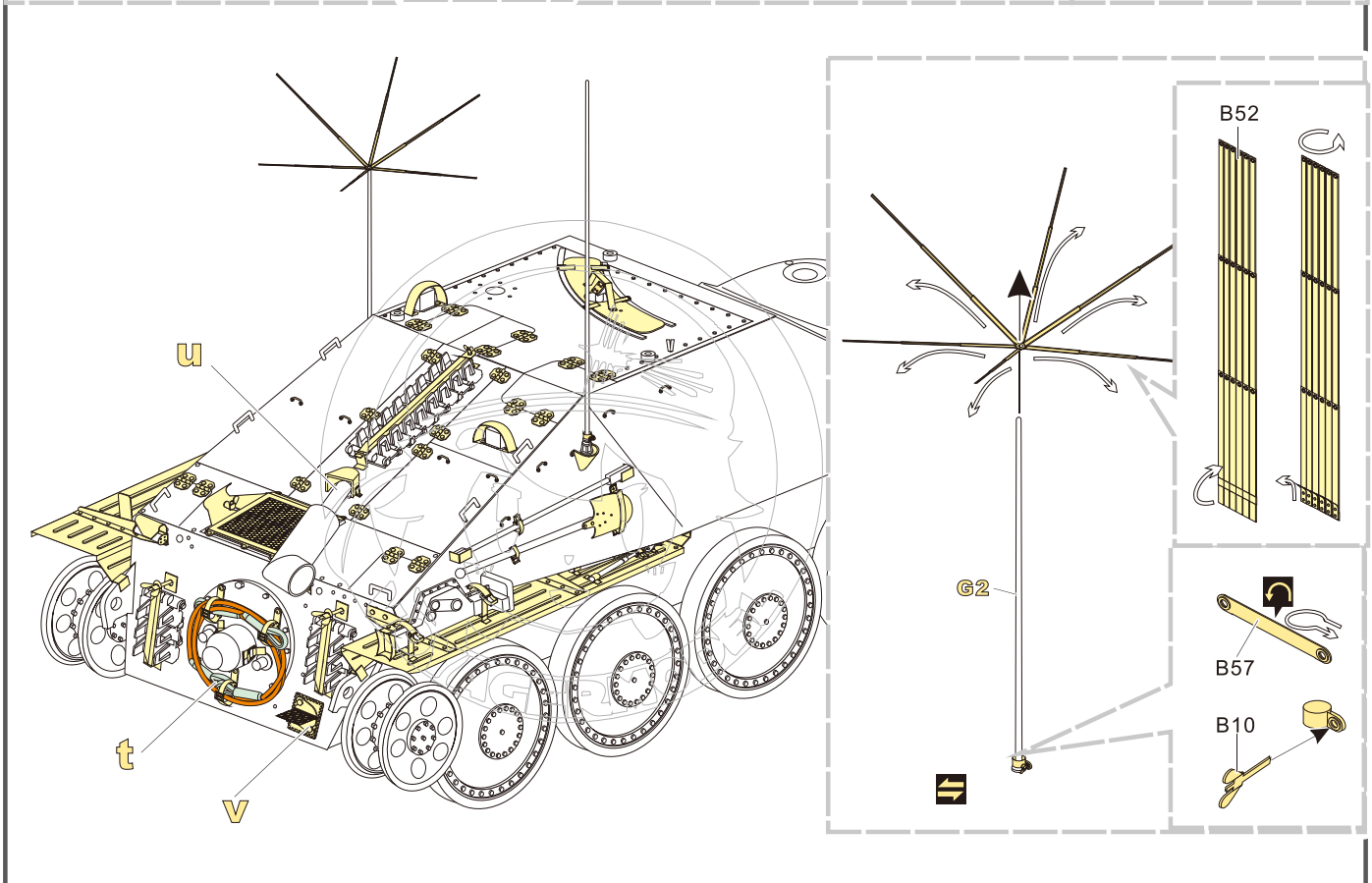
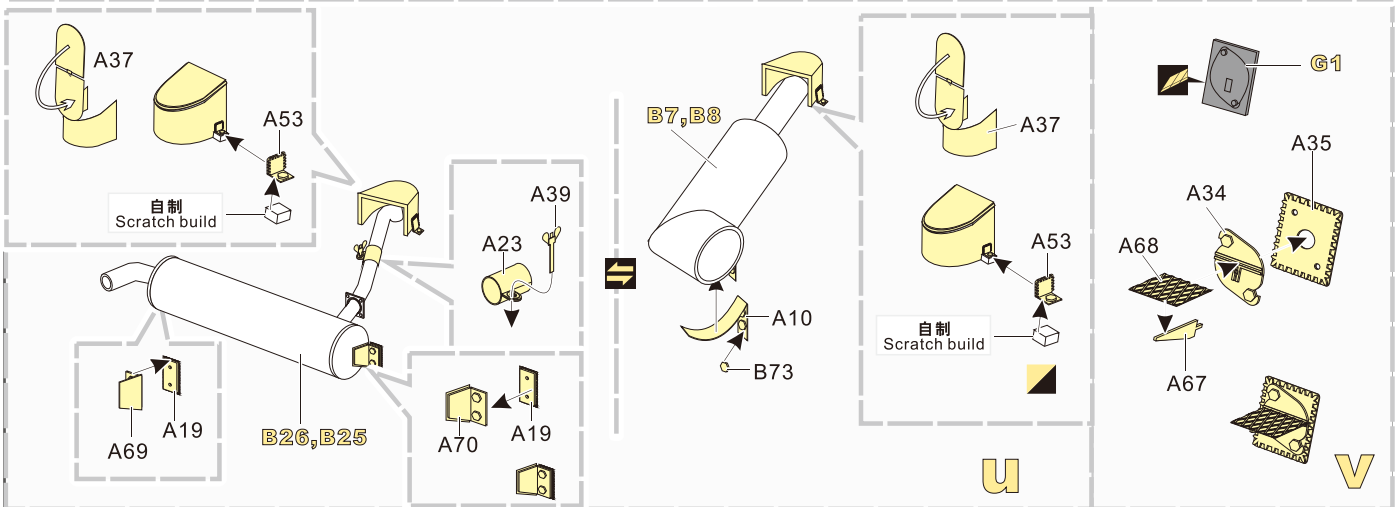
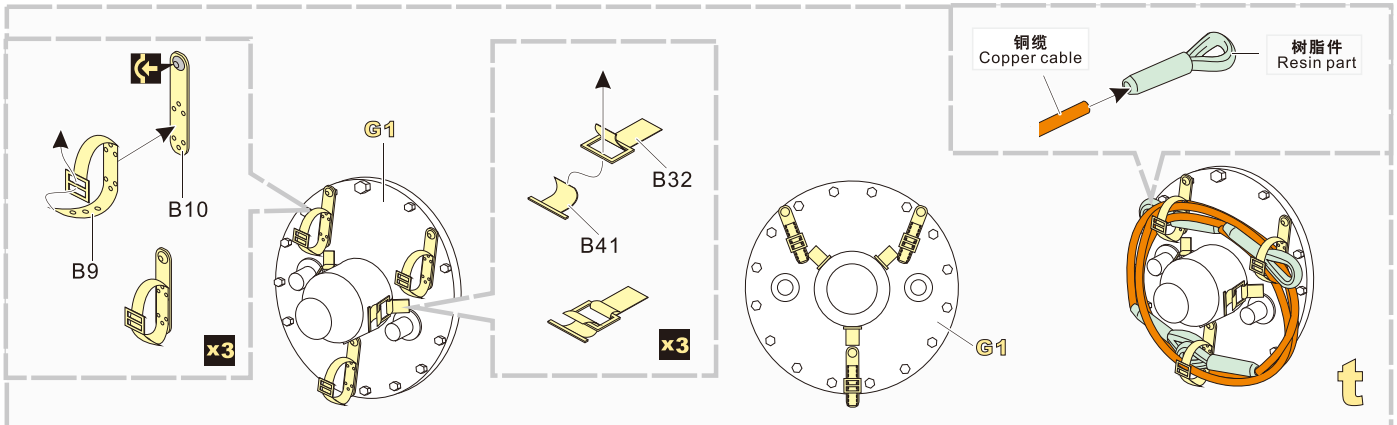
1/35 MILITARY MINIATURE VEHICLE UPGRADE SERIES PE351038



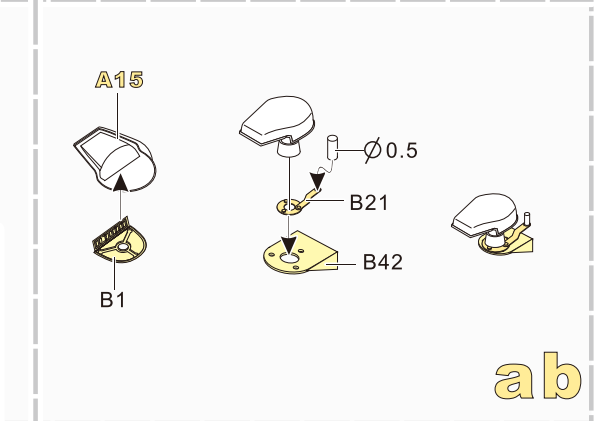
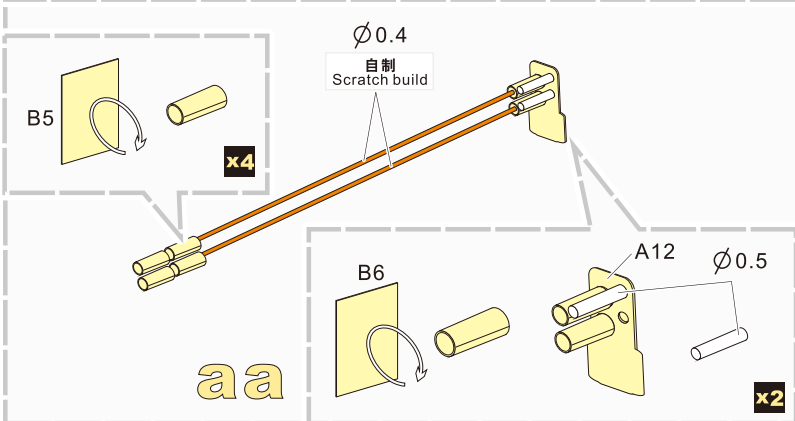
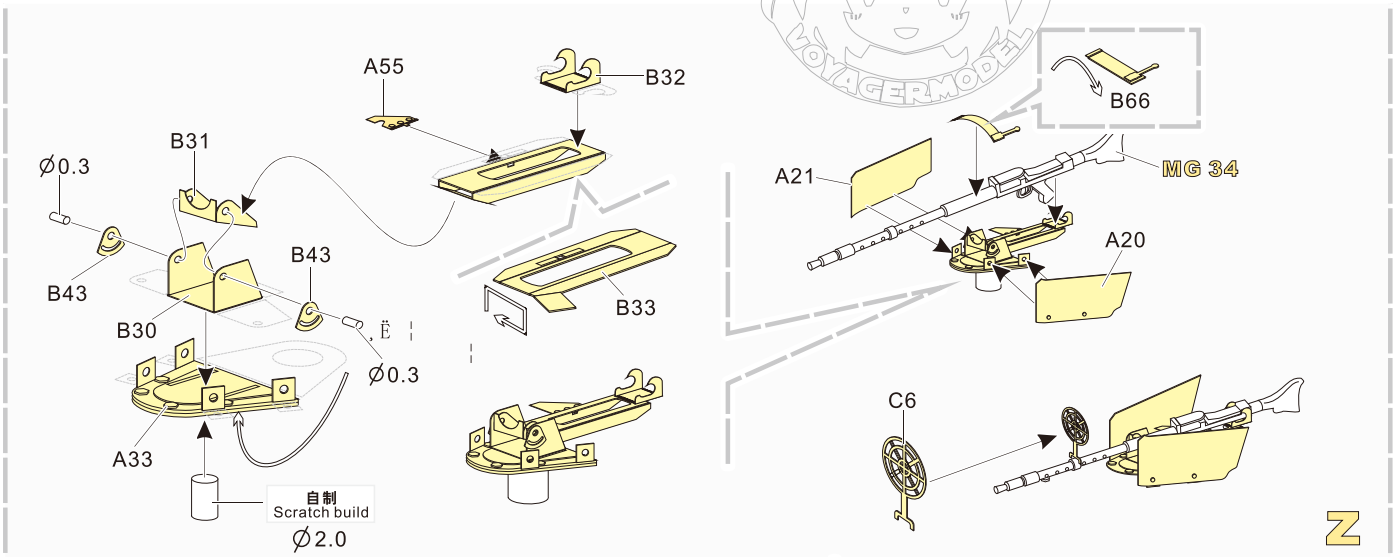
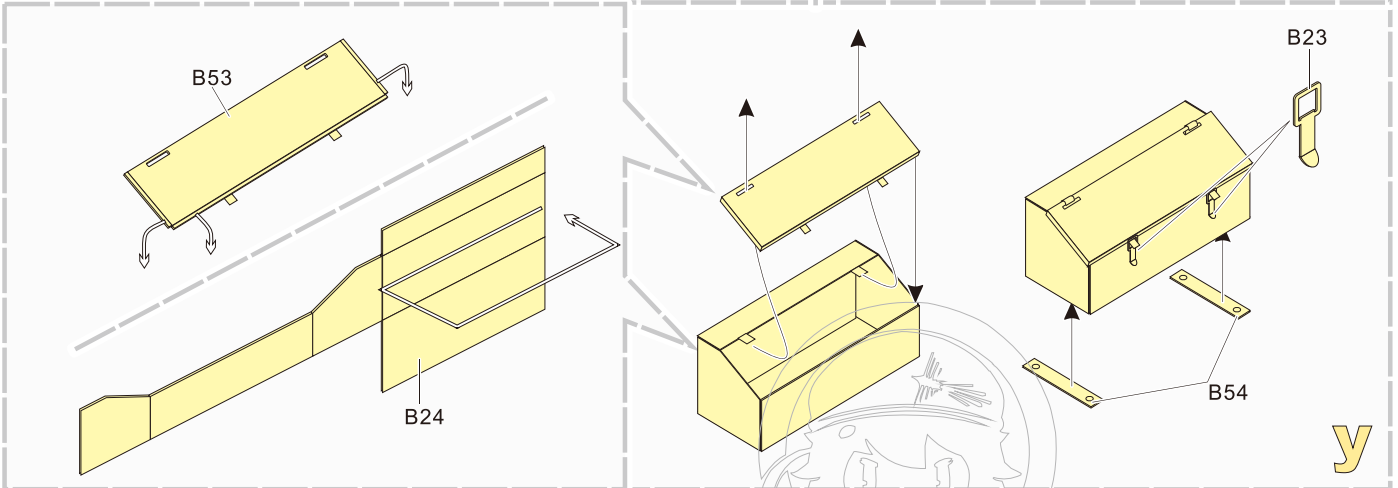
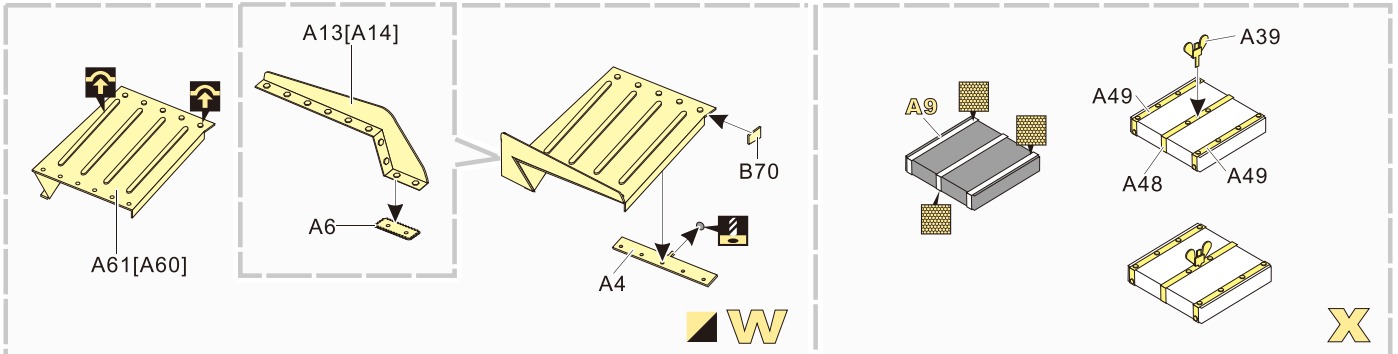
1/35 MILITARY MINIATURE VEHICLE UPGRADE SERIES PE351038



1/35 MILITARY MINIATURE VEHICLE UPGRADE SERIES PE351038



1/35 MILITARY MINIATURE VEHICLE UPGRADE SERIES PE351038



1/35 MILITARY MINIATURE VEHICLE UPGRADE SERIES PE351038

