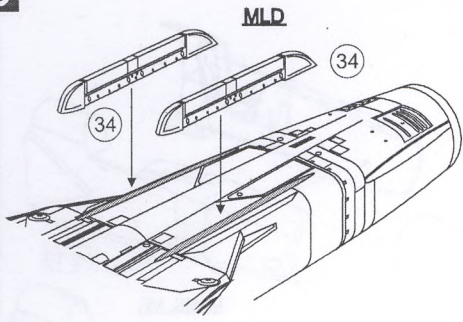
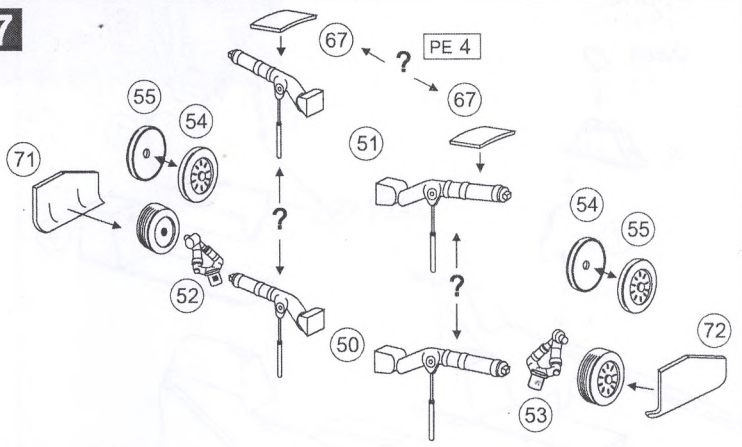


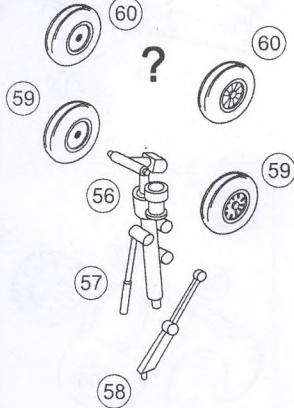
6



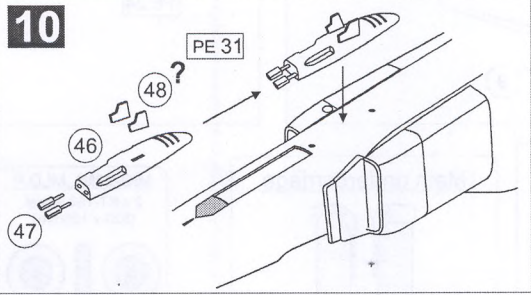
7



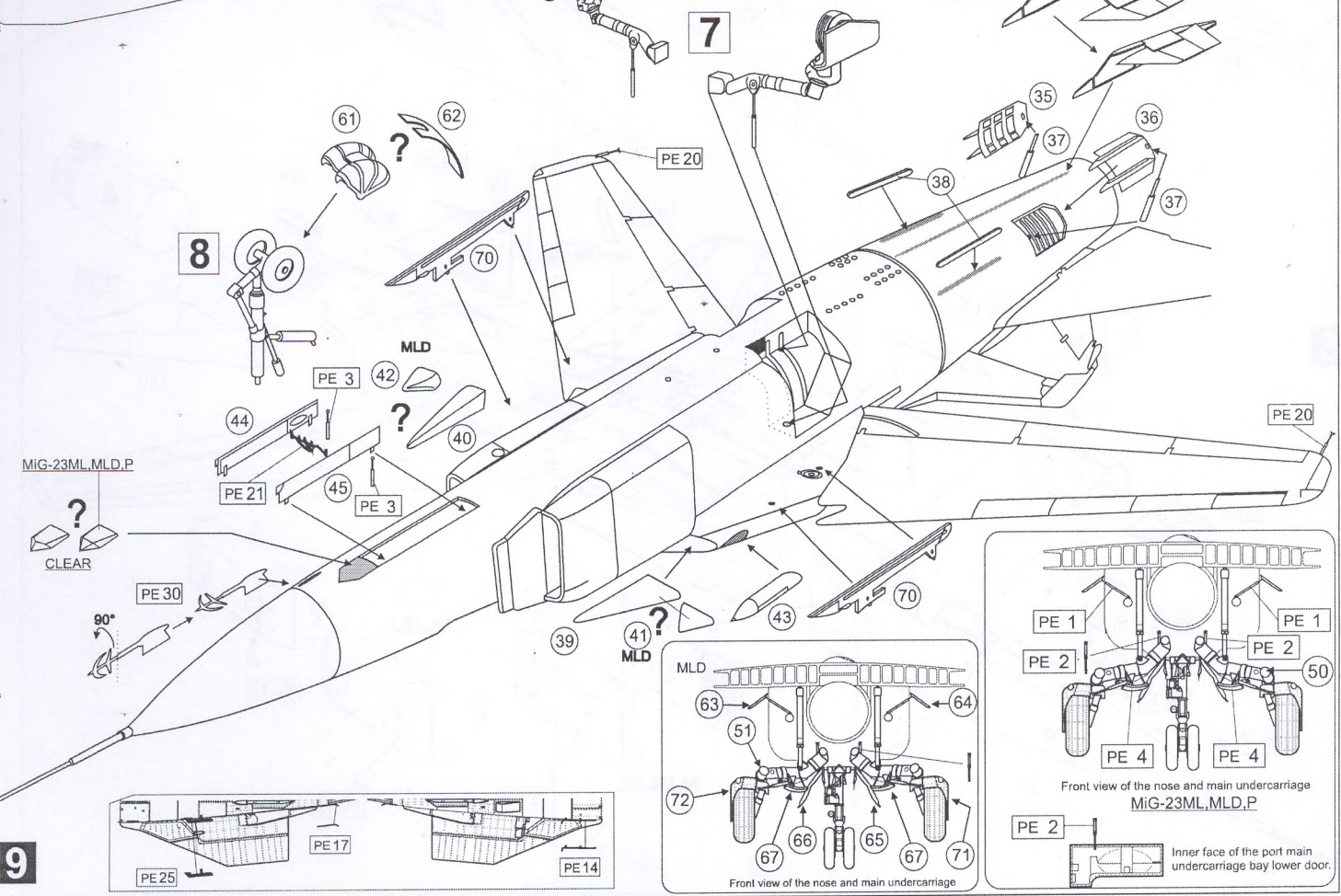
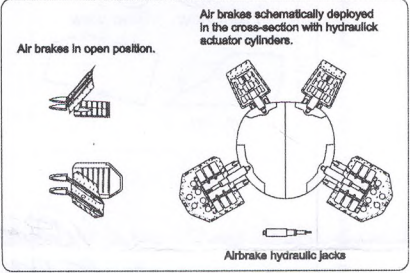
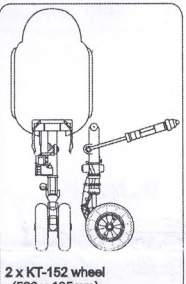
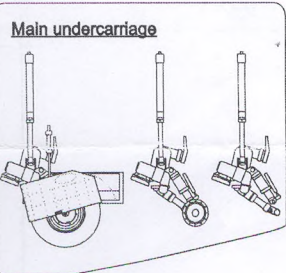
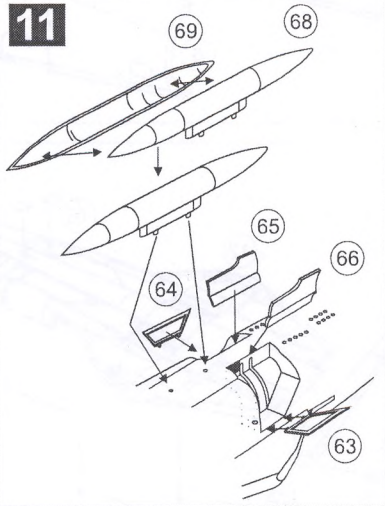
8



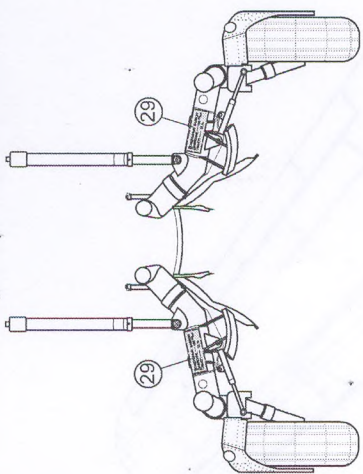
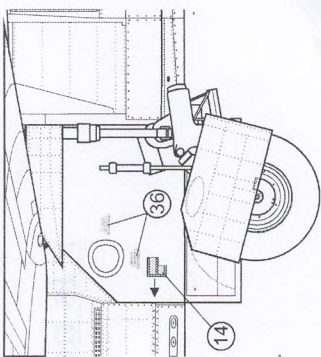
10



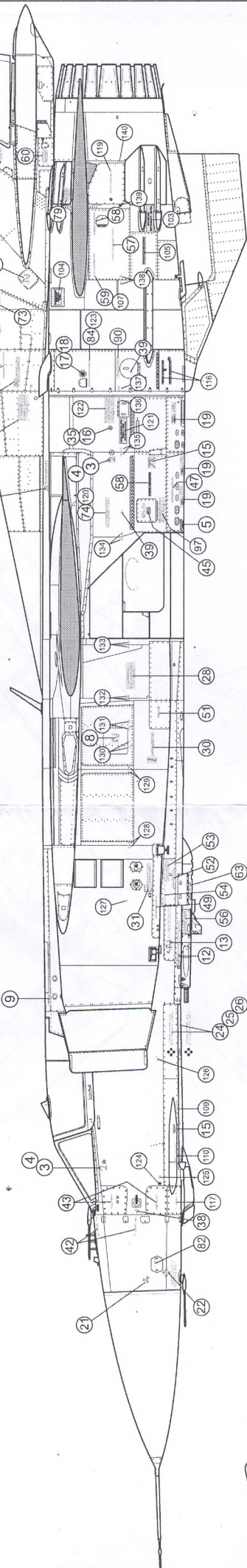
11



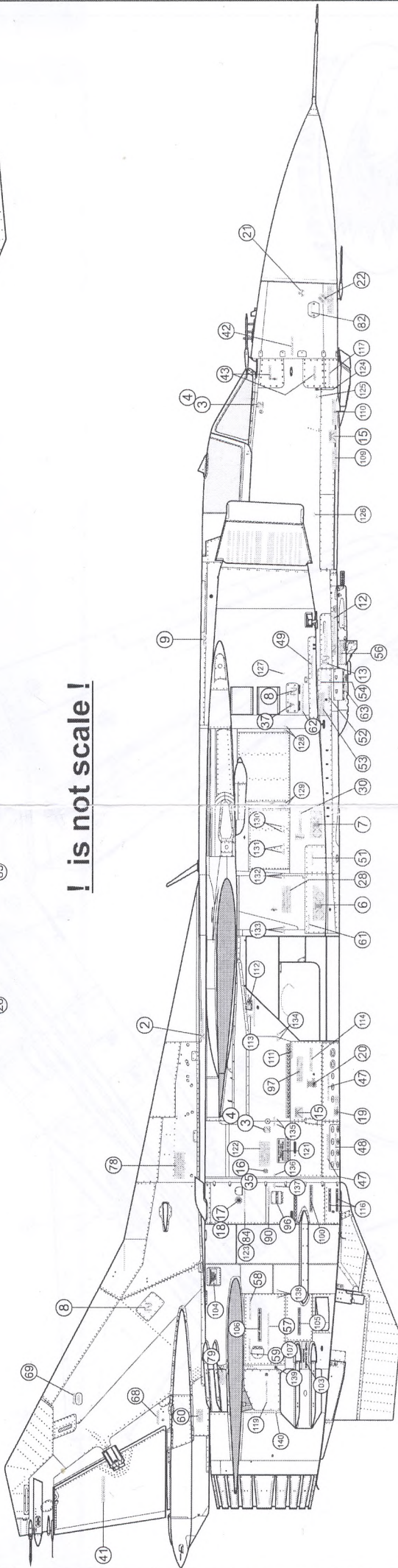
9

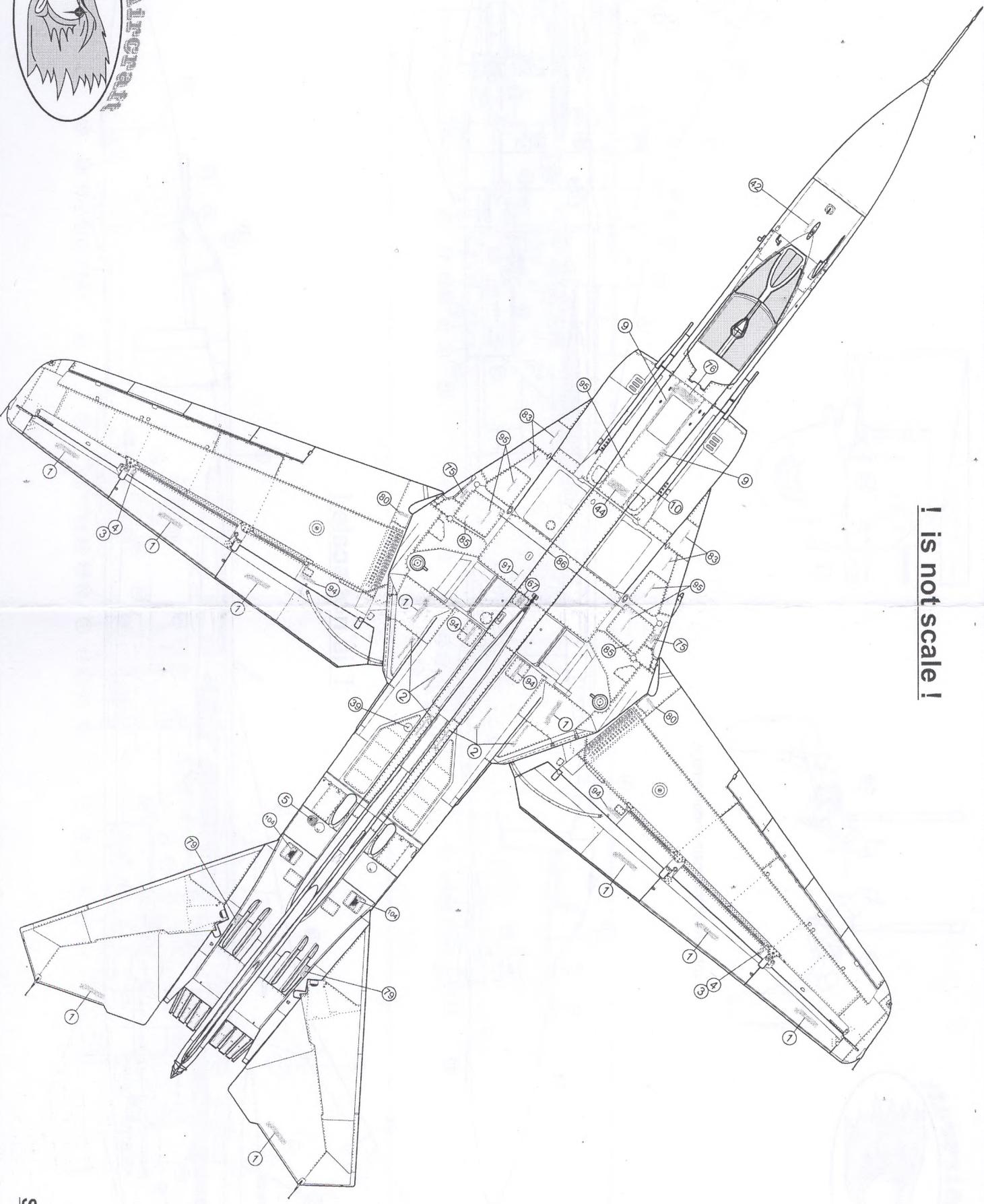


Front view of the main undercarriage



! is not scale !



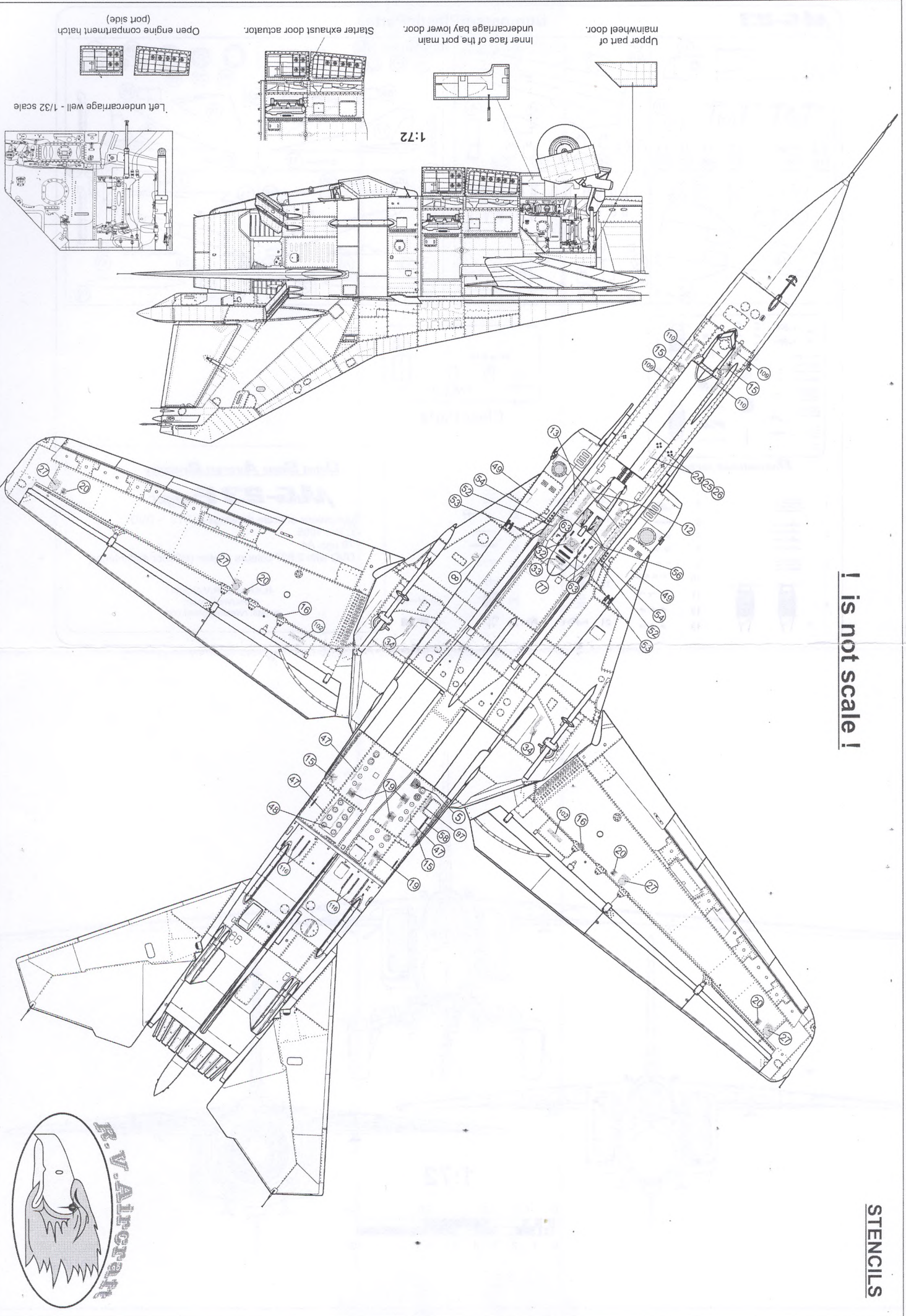


! is not scale !

STENCILS

1 is not scale 1

STENCILS



Upper part of mainwheel door.

Inner face of the port main undercarriage bay lower door.

Starter exhaust door actuator.

Open engine compartment hatch (port side)

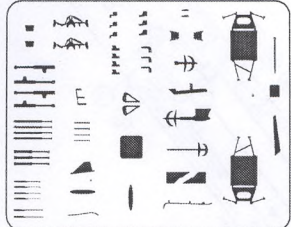
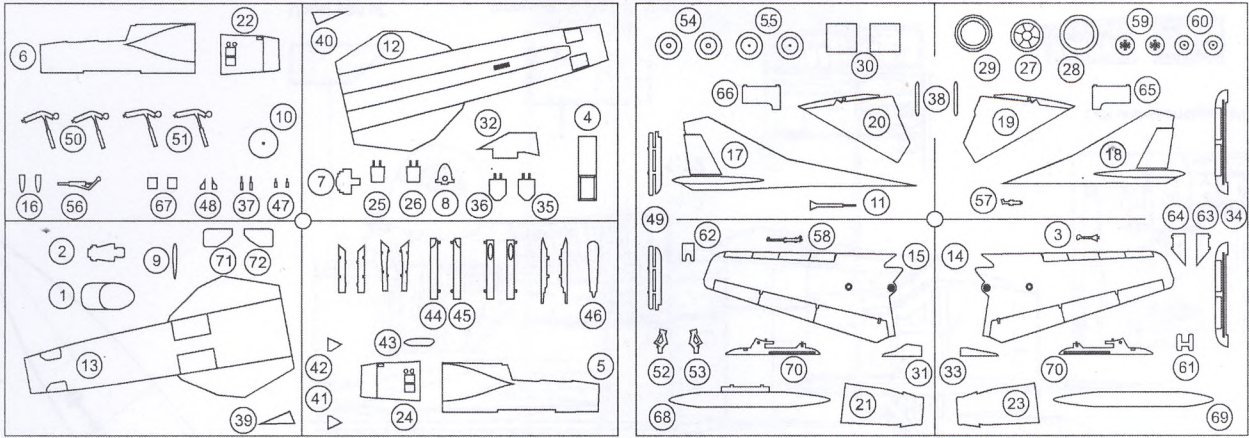
1:72

Left undercarriage well - 1/32 scale

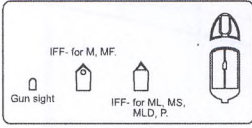


MI G-23

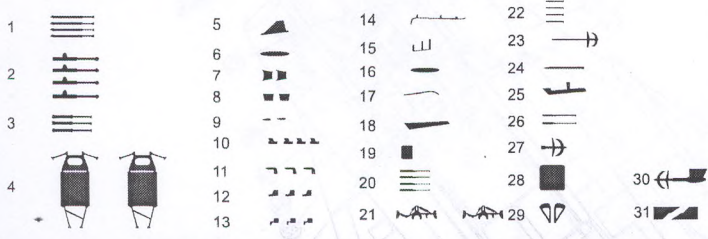
Numbers of Plastic Parts.



Photoetched parts.



Clear Parts



Detail Scale Aircraft Drawings

MI G-23 Flogger

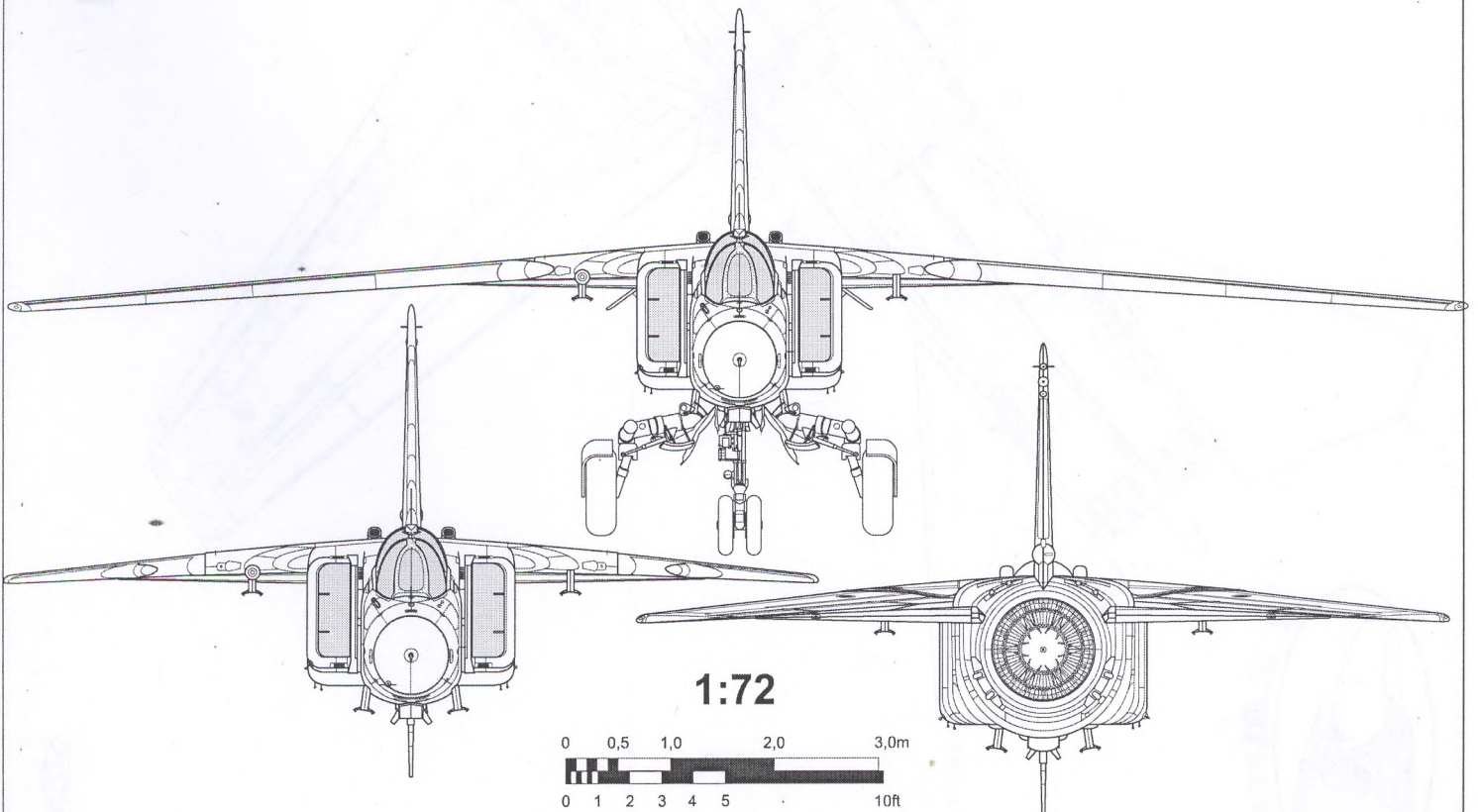
Publications of scale drawings in 1/72 + DVD.

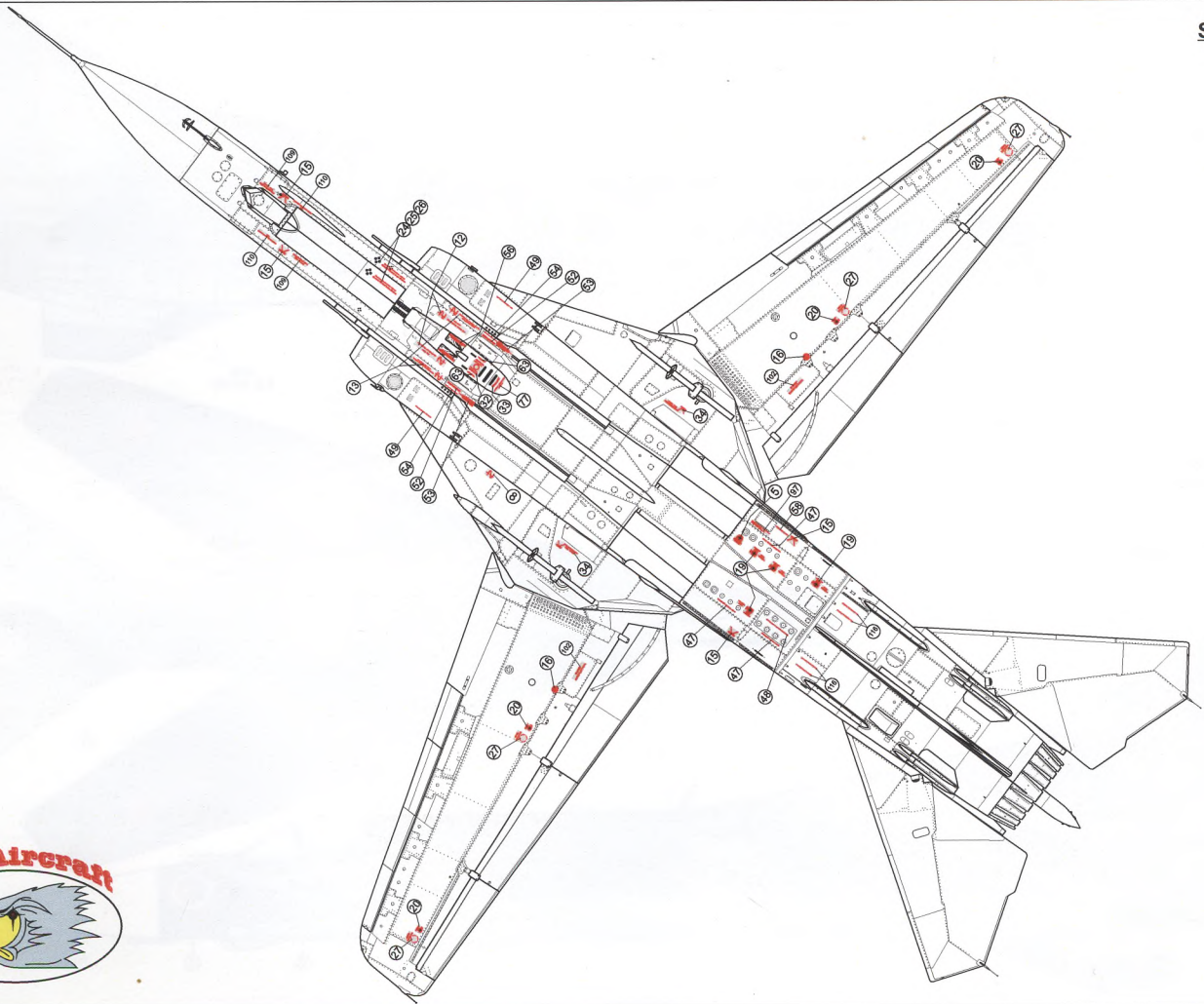
- C.Nr.: 1005

- 78 pgs. A4

- DVD with 2.807 colours photos (exterior and interior)

R.V.Resin / R.V.Aircraft .
www.rvresin.com
e-mail: rvresin@gmail.com





- Red
FS 11120
- Black
FS 27038
- Light Grey
FS 16251
- Burned Steel

Nose wheel bay + Landing gear: FS 16187 Grey
Wheels doors inside: FS 35189 Light Grey
Wheels tubs: FS 34138 Green

MiG-23MF Hellfighter

Decal

FS 11120
Gloss Red = Soft-edged over spray.

