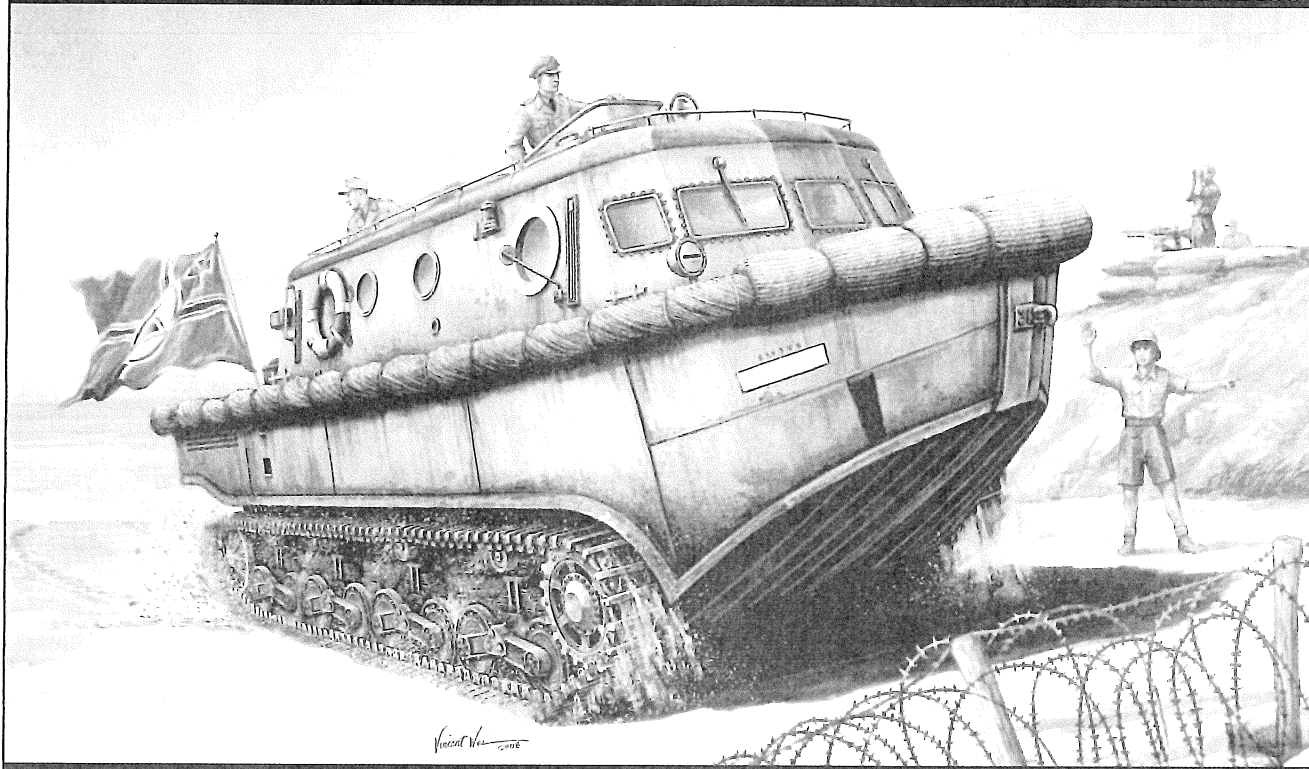


1/35 Scale

ITEM No.: 82430



## Land-Wasser-Schlepper LWS (Land/Water tractor)

## ドイツ LWS 水陸両用トラクター LWS水陆两栖牵引车

### PLEASE READ BEFORE OPERATION!

- \* Tools recommended as below: (Not included)  
Adhesives; Paints; Side Cutters; Sharp Edged Pliers; Modeling Knife; Modeling File; Nippers; Drill; Scissors; Sand Paper; Soft Cloth; Cyanoacrylate Glue.
- \* Make sure to read this instruction listed below before assembling.
- \* The kit contains the small parts, they can be dangerous if swallowed by mistake, so keep them away from reach of children.
- \* Cut the all parts off carefully and remove the waste parts into the garbage can.
- \* More caution and care should be needed for cutting and handling the photo etched parts.
- \* Make attention that some parts should be attached the decal when assembled.
- \* During assembling, please tear up and throw away the plastic bags, or may cause the dangerous if wearing over head by children's mistake.
- \* When using the adhesives and paints, please do not use them in the closed room or near the fire, also must be very careful to protect your eyes, face and clothes.
- \* Adult supervised when assembled by children under 14 years old.

### 装配前请仔细阅读:

- \* 推荐使用的模型工具(请自备):  
专用模型胶水, 专用模型油漆, 水口剪刀, 长咀钳, 刀片, 锉刀, 镊子钳, 钻, 剪刀, 软布, 砂纸, 瞬间快干胶等。
- \* 用水口剪刀或刀片小心切下所有塑胶零件和蚀刻片零件, 不要遗失小零件。
- \* 切取蚀刻片时应特别注意防止利边划伤手指。
- \* 用模型锉刀小心锉平所有零件表面的注射浇口。
- \* 用适量的强力快干胶水粘合蚀刻片零件和金属轴, 切忌过量, 否则可能导致可动零件被粘住。
- \* 注意某些零件表面需在装配时同步贴水上水贴纸。
- \* 制作时应远离幼儿并将包装袋及时收妥, 谨防小孩玩耍而引起意外。



cyanoacrylate glue  
强力胶



weight  
配重



make hole  
钻孔



cut / remove  
切除



option  
选择



no cement  
不涂胶水



decal  
贴纸



bend  
弯曲



repair  
填补

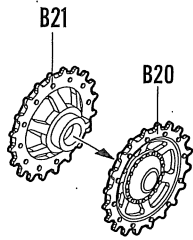
### The method to apply the decals

1. Cut off the decal from the decal paper and put it into the warm water 40°C for 10 seconds.
2. Take the decal from the water and put it on a piece of clean cloth.
3. Remove the decal slowly from the paper to the targeted location by a wet finger.
4. Use a piece of dry and soft cloth to press it gently on the decal until it getting dry and no bubble existing.

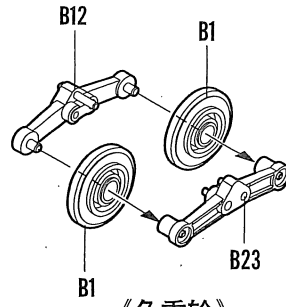
### 水贴纸的使用方法:

- 一. 把相关的印花从水贴上剪下, 放入40°C左右的温水中浸10秒。
- 二. 然后将印花放在干净的布上。
- 三. 拿上印花纸板, 手指蘸水将印花移到适当的位置。
- 四. 用软干布轻压印花直至水干, 气泡消失。

**1**  
STEP

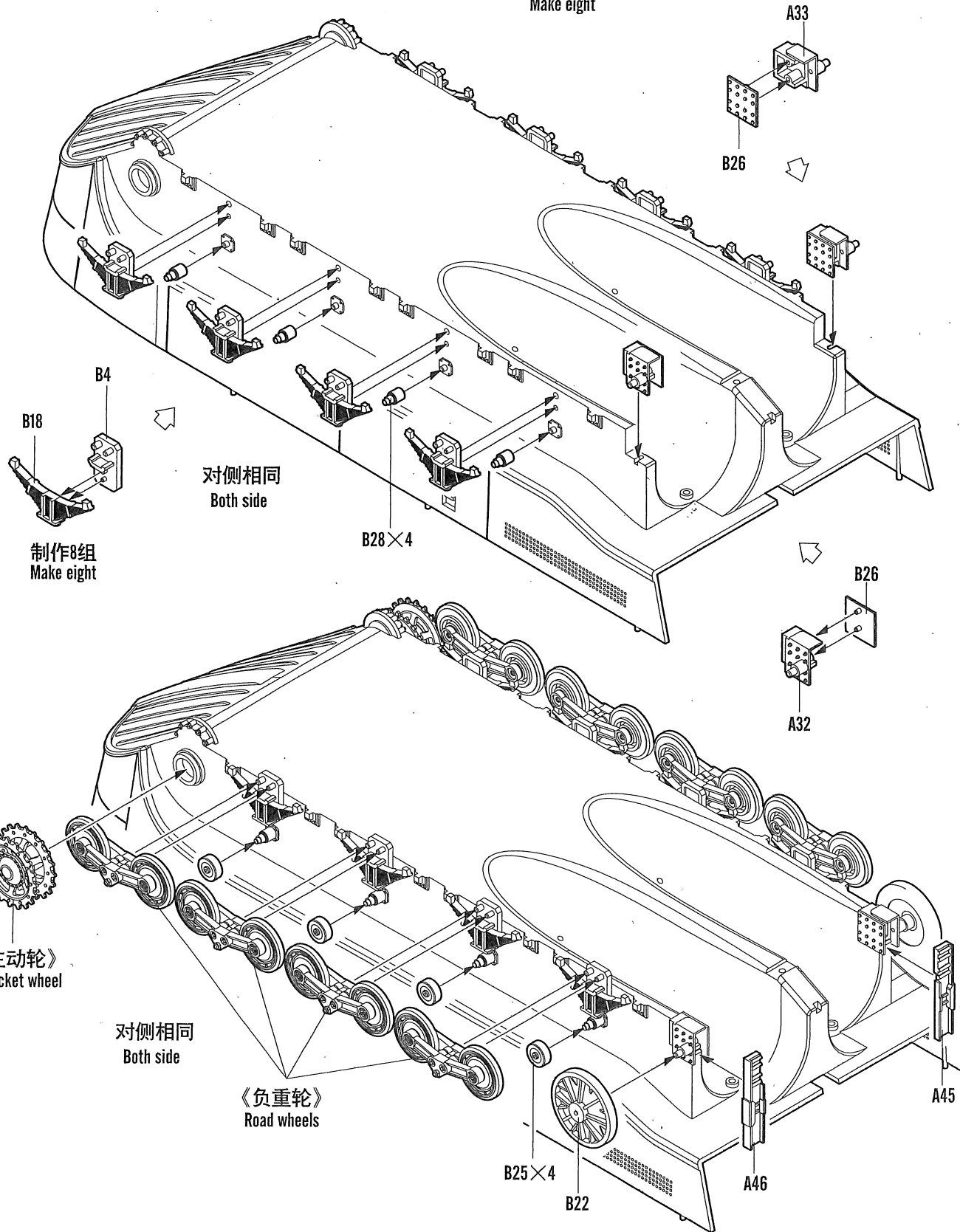


《主动轮》  
Sprocket wheel  
制作2组  
Make two



《负重轮》  
Road wheels  
制作8组  
Make eight

**2**  
STEP



对侧相同  
Both side

制作8组  
Make eight

B28 × 4

B26

A32

A45

A46

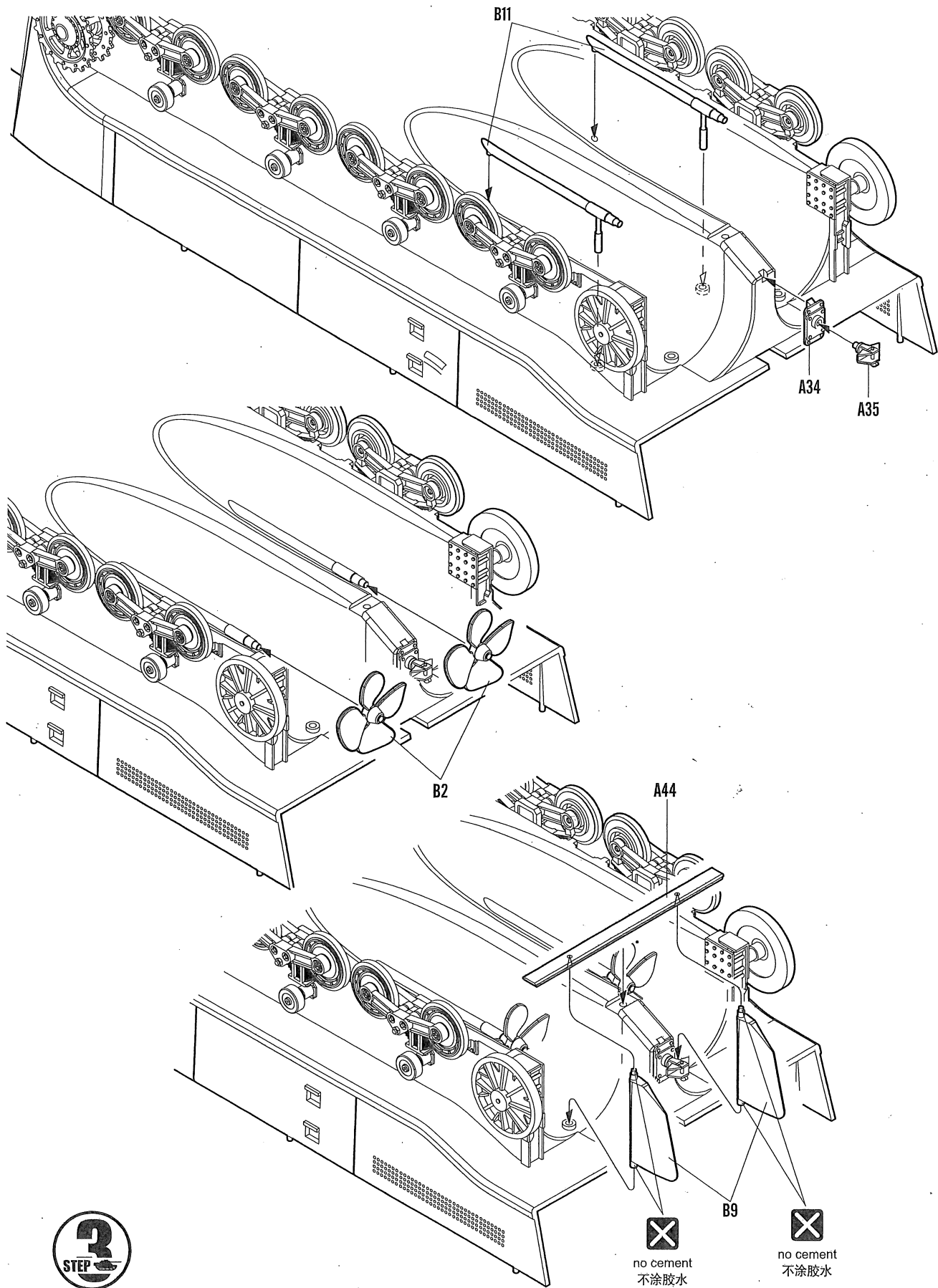
B25 × 4

B22

《主动轮》  
Sprocket wheel

对侧相同  
Both side

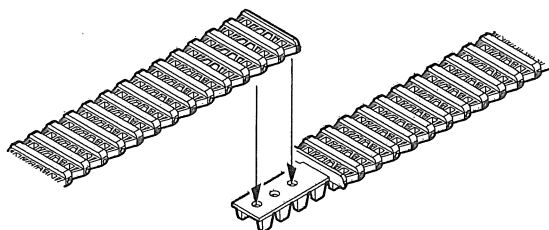
《负重轮》  
Road wheels



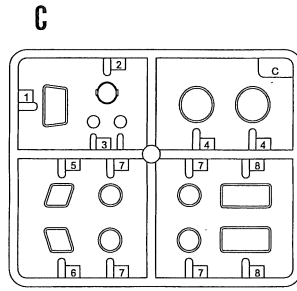
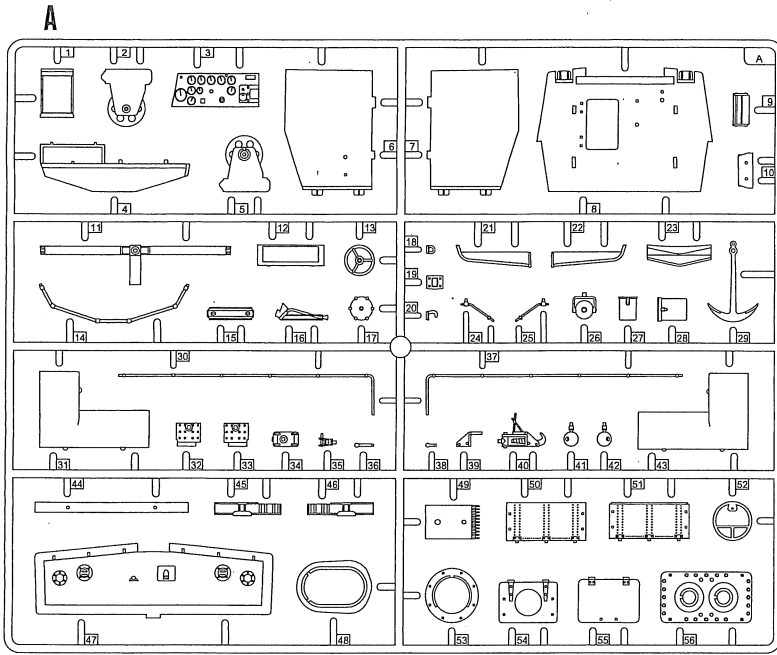
**3**  
STEP

**履带联接**  
Track construction

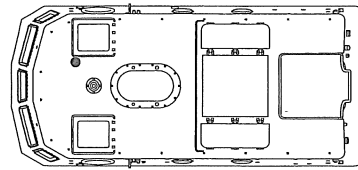
- \* 履带可用塑料胶水粘合。
- \* 履带可用模型油漆喷涂。
- \* 若履带断裂，用细丝线固定。
- \* The tracks in this kit can be glued using plastic cement.
- \* The tracks can be painted using plastic paints.
- \* If track is broken strengthen with staples or thread.



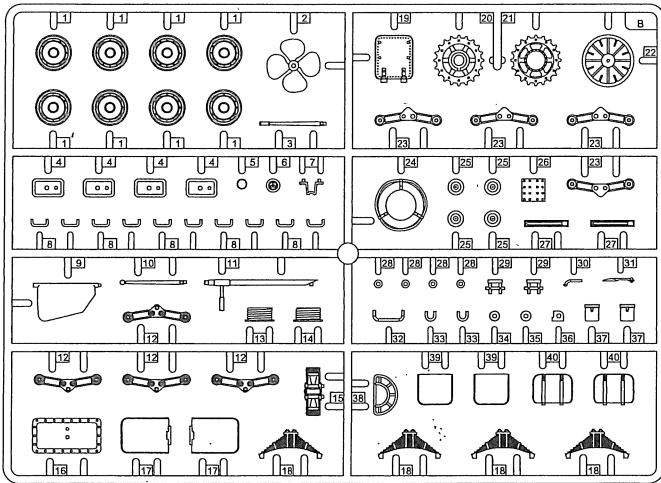
# 部品图 Parts



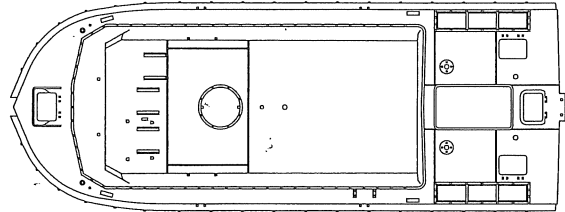
《车面》  
Cabin



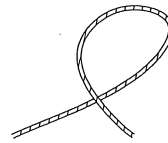
B×2



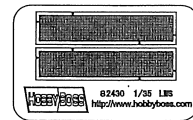
《甲板》  
Deck



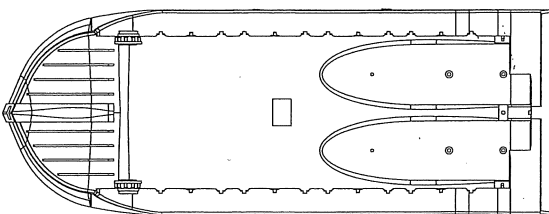
《棉绳》∅0.8×1000mm  
Cotton rope



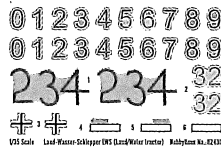
《蚀刻片》  
PE



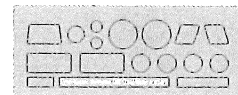
《车底》  
Lower hull



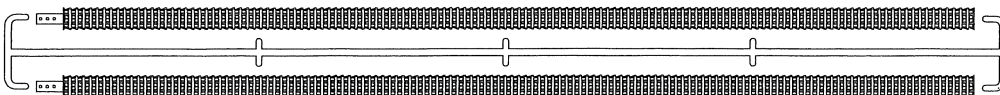
《水贴纸》  
Decal



《遮盖纸》  
Mask

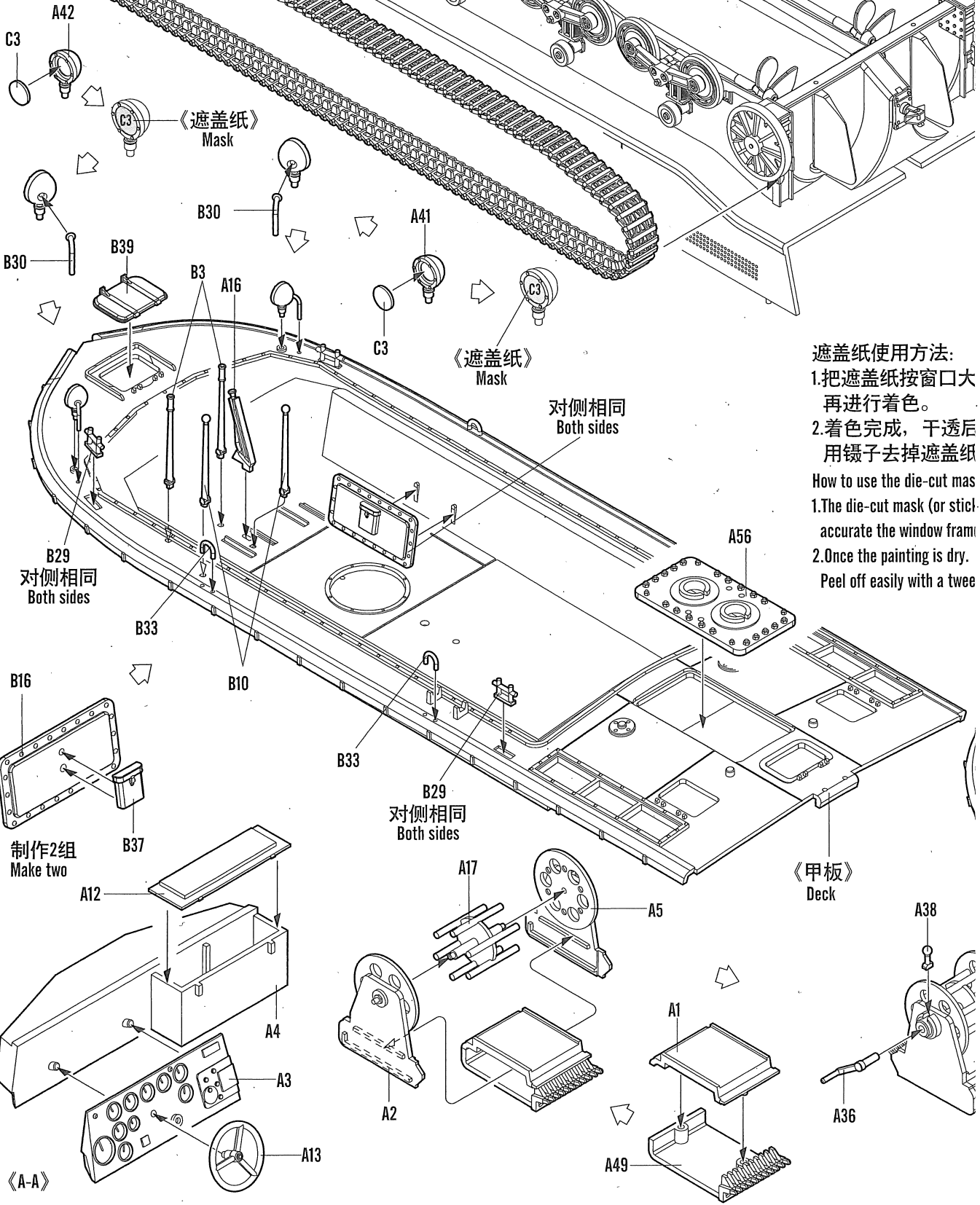


《履带》  
Track





对侧相同  
Both sides  
《履带》  
Track



《遮盖纸》  
Mask

《遮盖纸》  
Mask

对侧相同  
Both sides

对侧相同  
Both sides

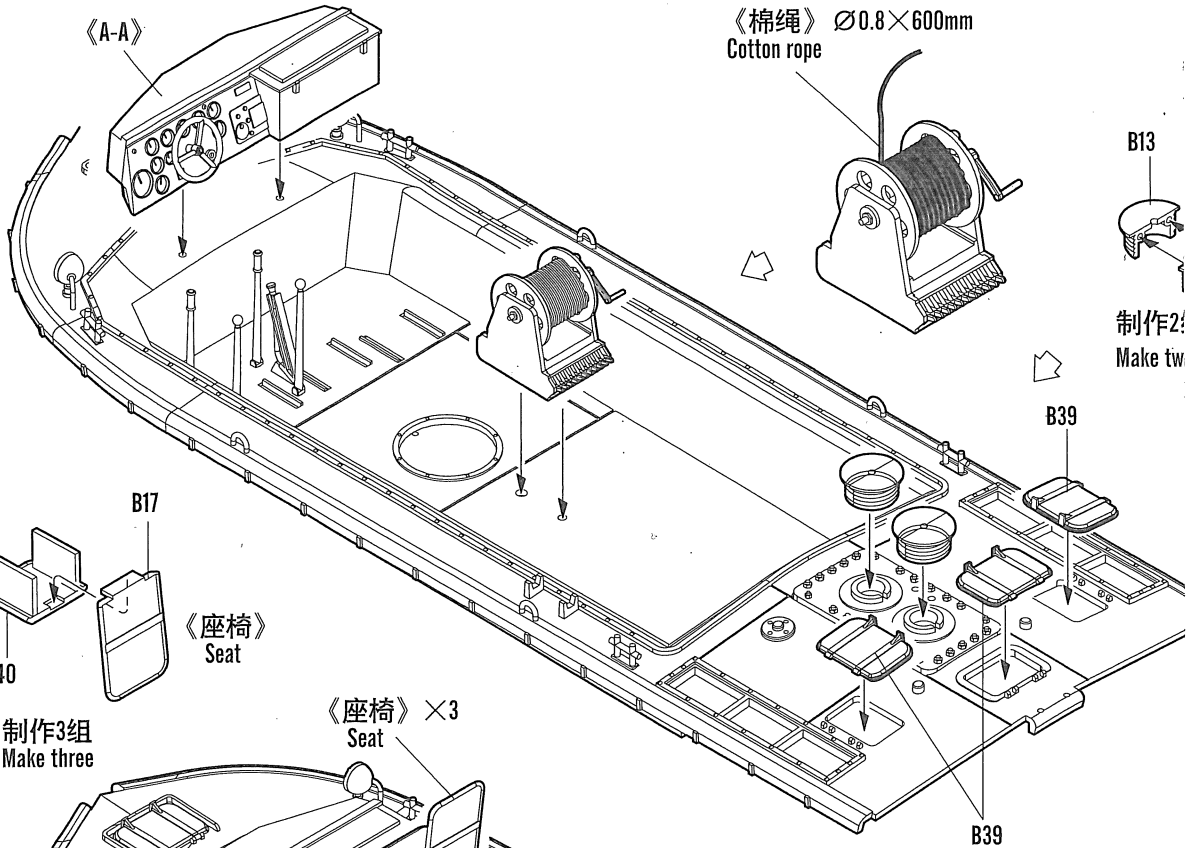
对侧相同  
Both sides

遮盖纸使用方法:  
1.把遮盖纸按窗口大  
再进行着色。  
2.着色完成,干透后  
用镊子去掉遮盖纸  
How to use the die-cut mas  
1.The die-cut mask (or sticl-  
accurate the window fram  
2.Once the painting is dry.  
Peel off easily with a twee

制作2组  
Make two

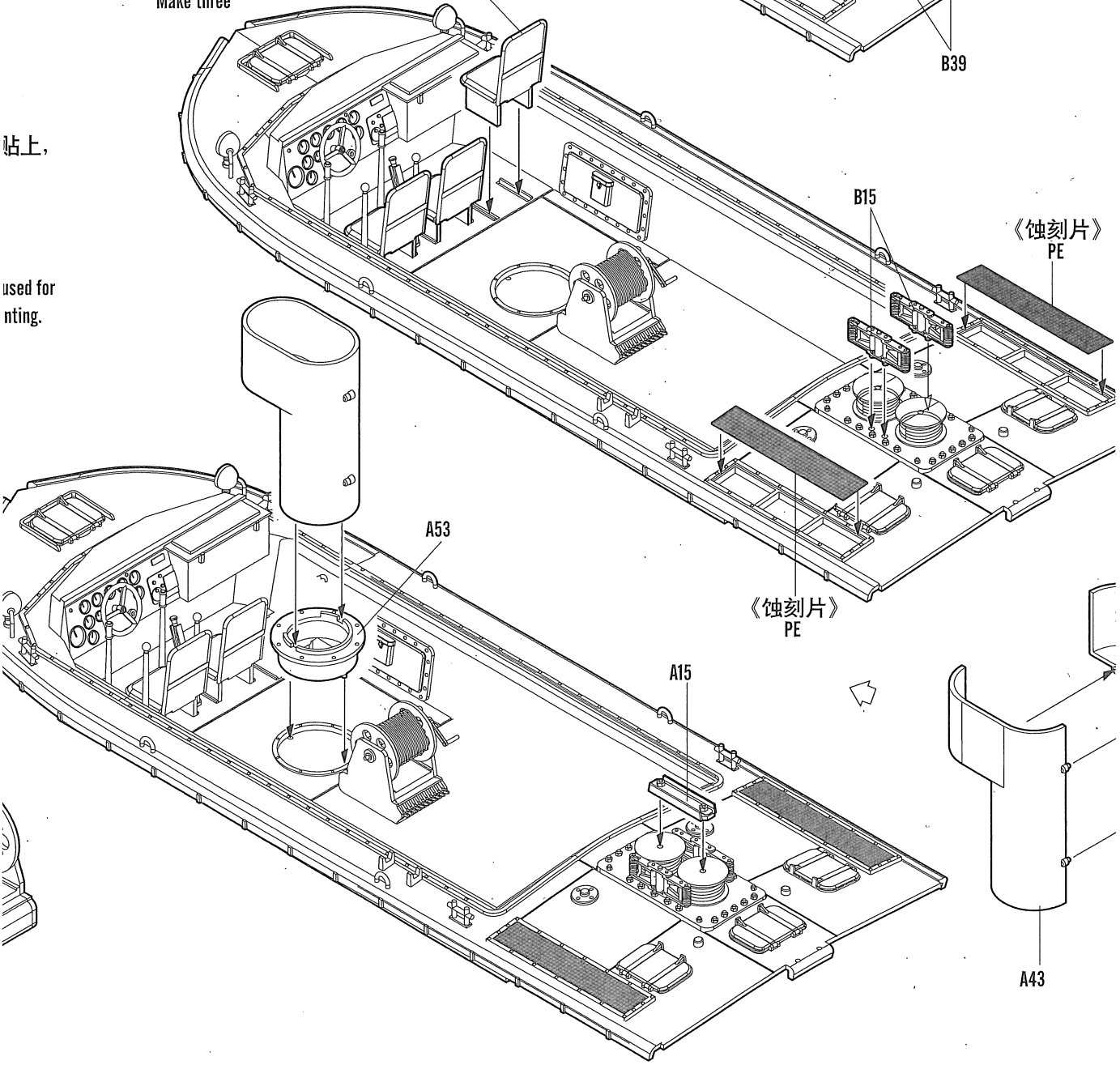
《甲板》  
Deck

《A-A》



贴上,

used for  
nting.

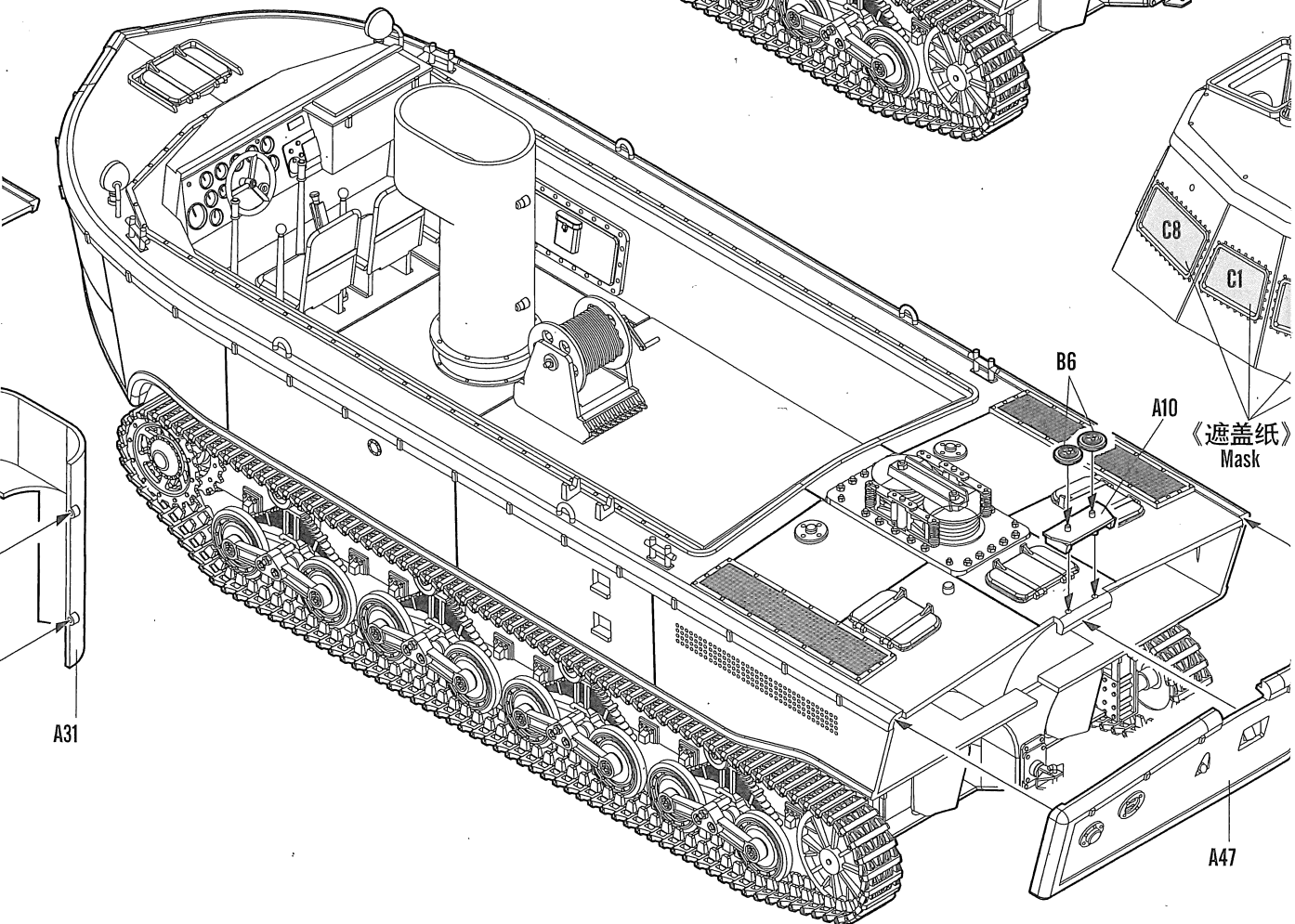
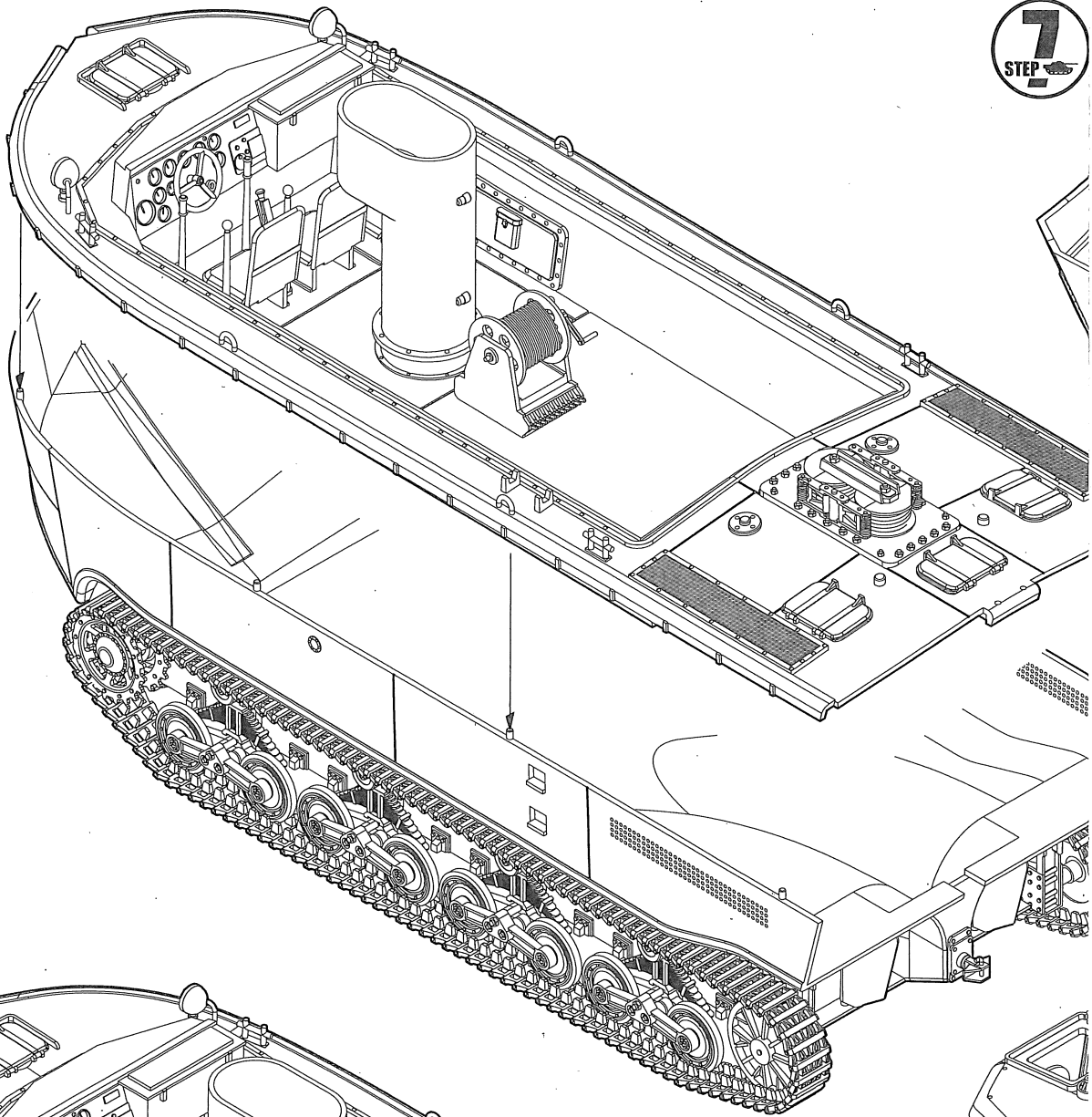


A43

6  
STEP

7  
STEP

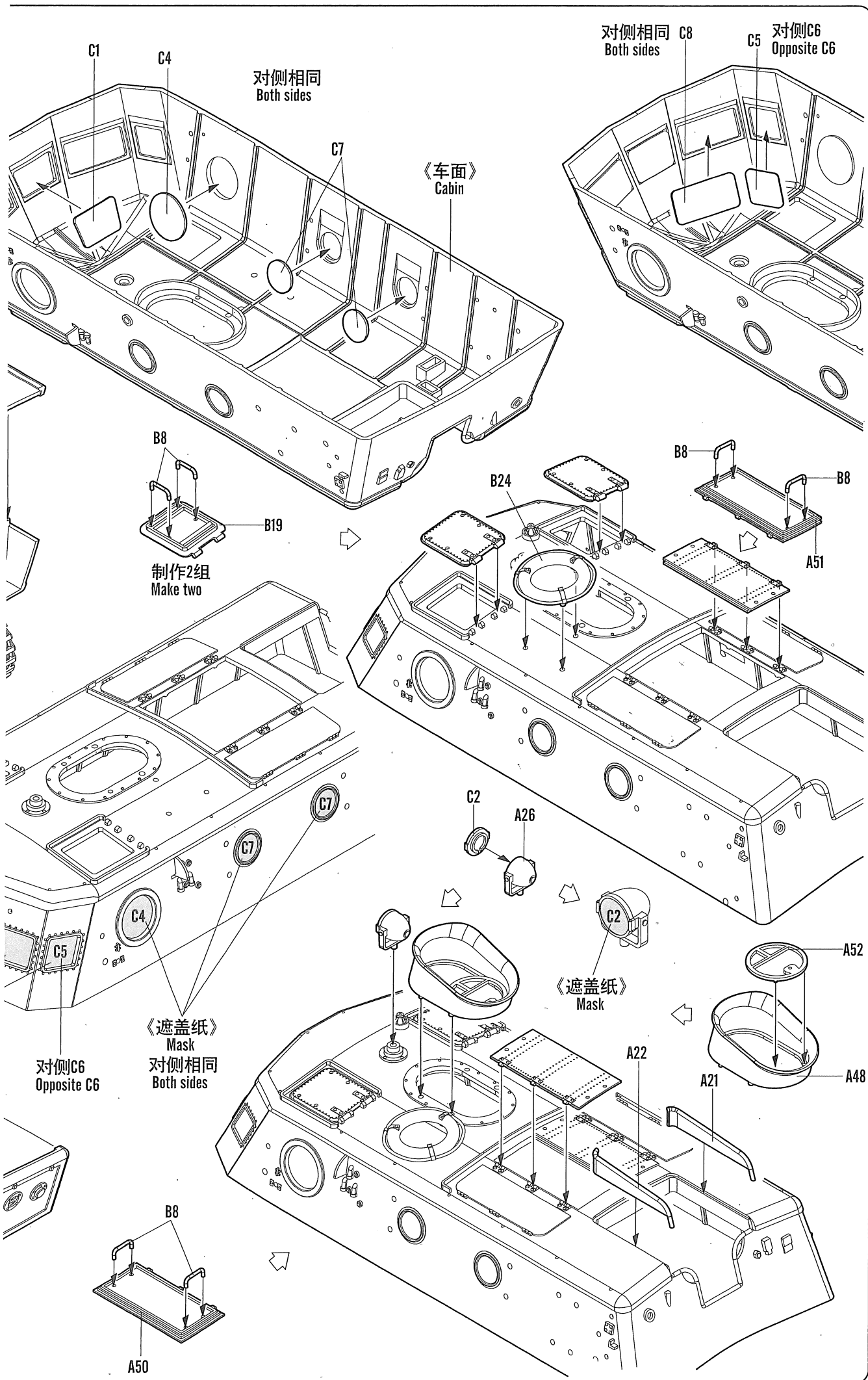
B14



A31

《遮盖纸》  
Mask

A47



对侧相同  
Both sides

对侧相同 C8  
Both sides

对侧C6  
Opposite C6

《车面》  
Cabin

B8  
B19  
制作2组  
Make two

B8  
A51

《遮盖纸》  
Mask  
对侧相同  
Both sides

对侧C6  
Opposite C6

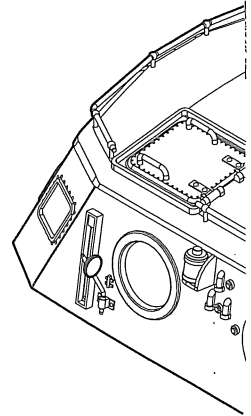
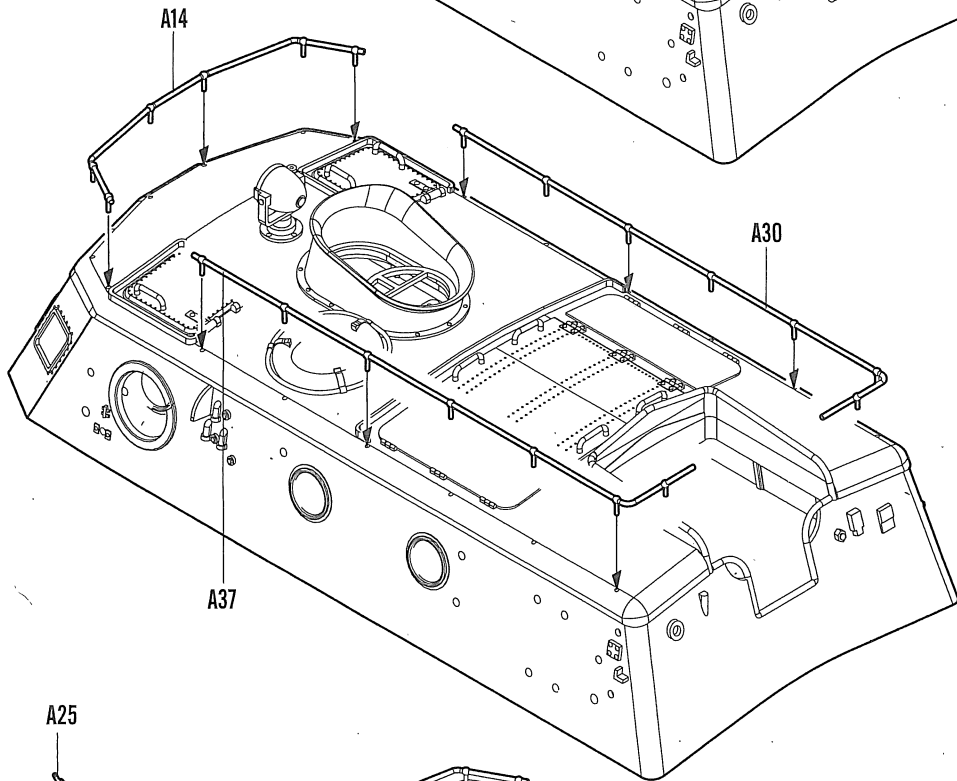
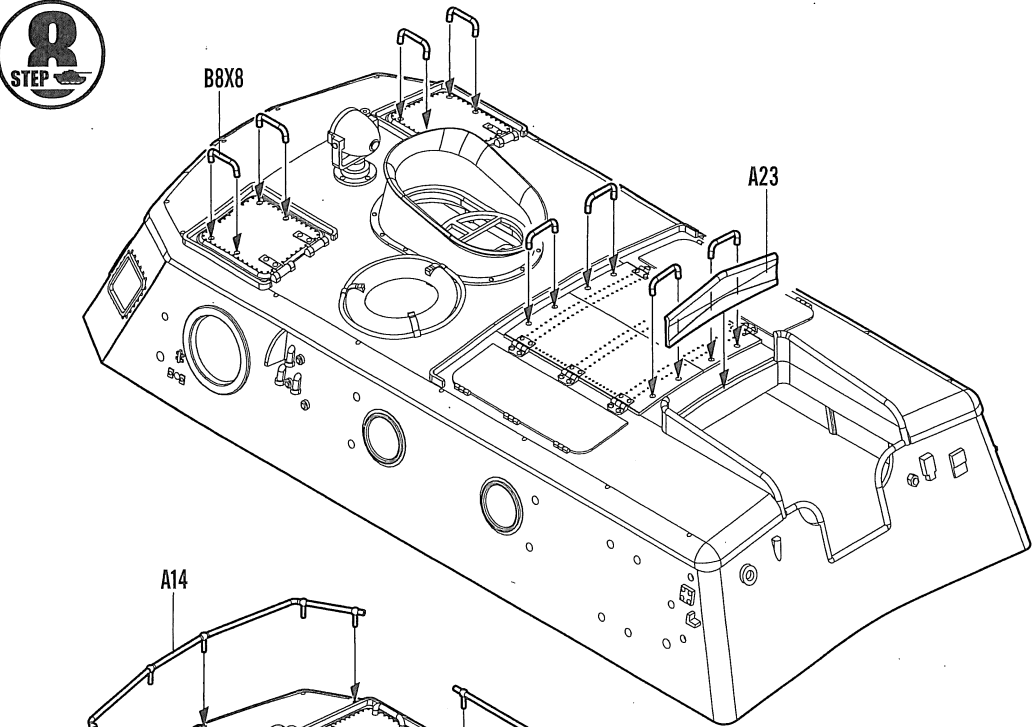
《遮盖纸》  
Mask

B8  
A50

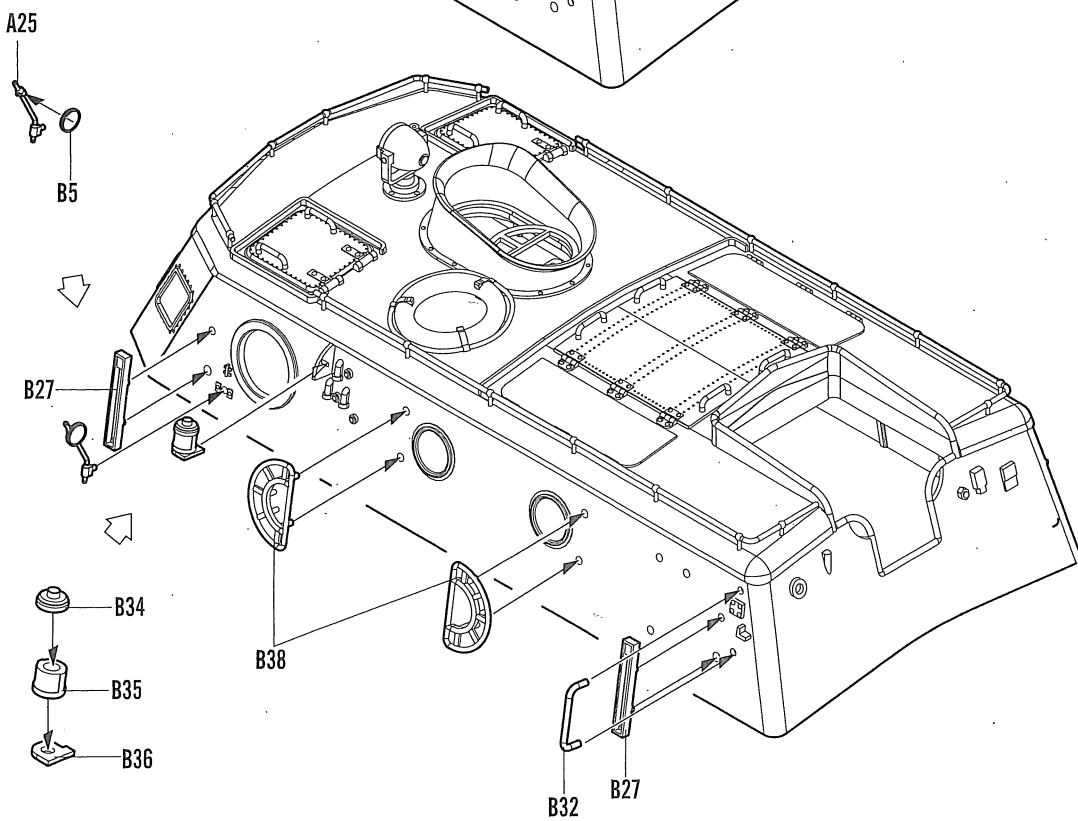
A52  
A48  
A21  
A22

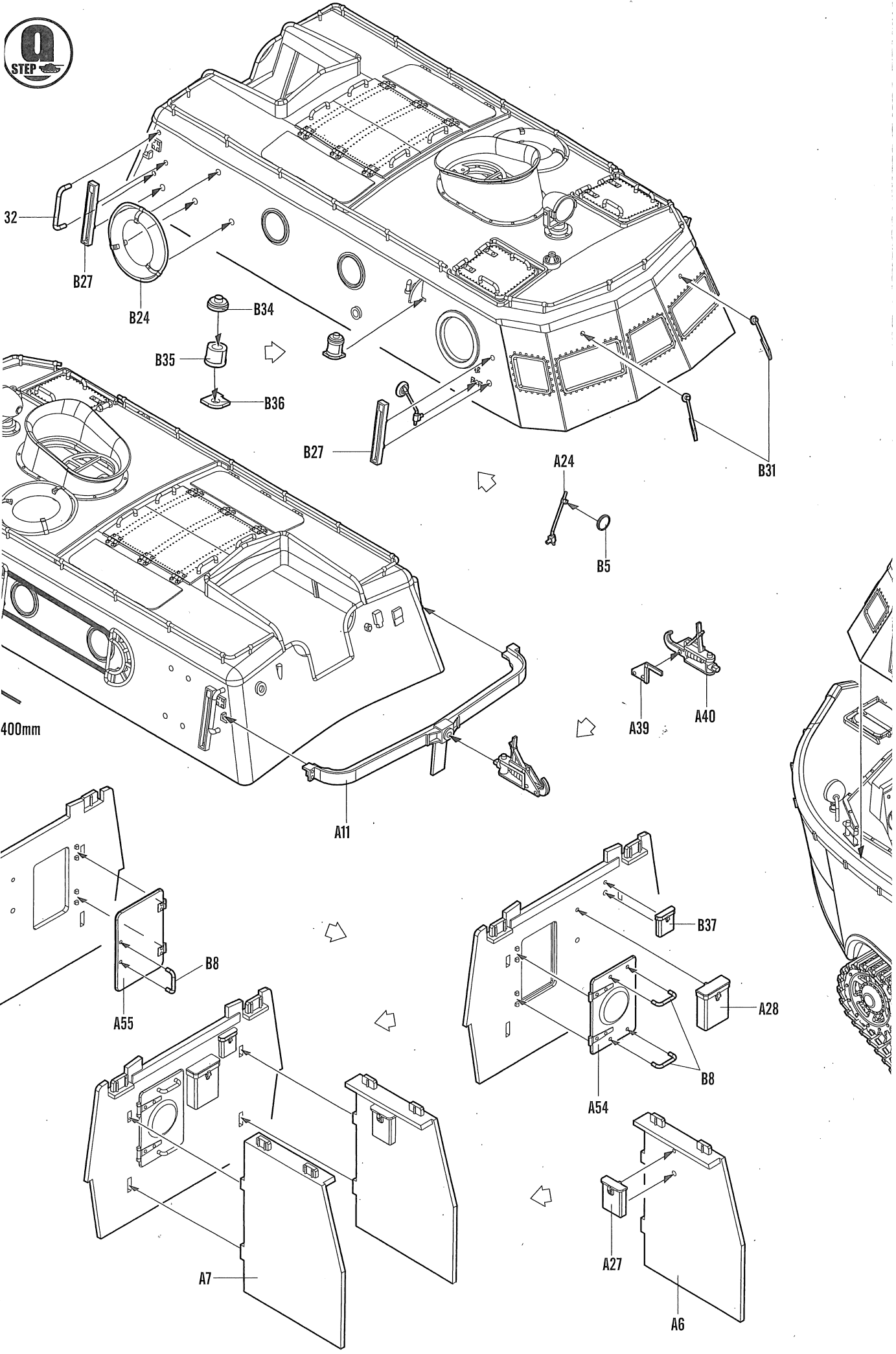
C2  
A26



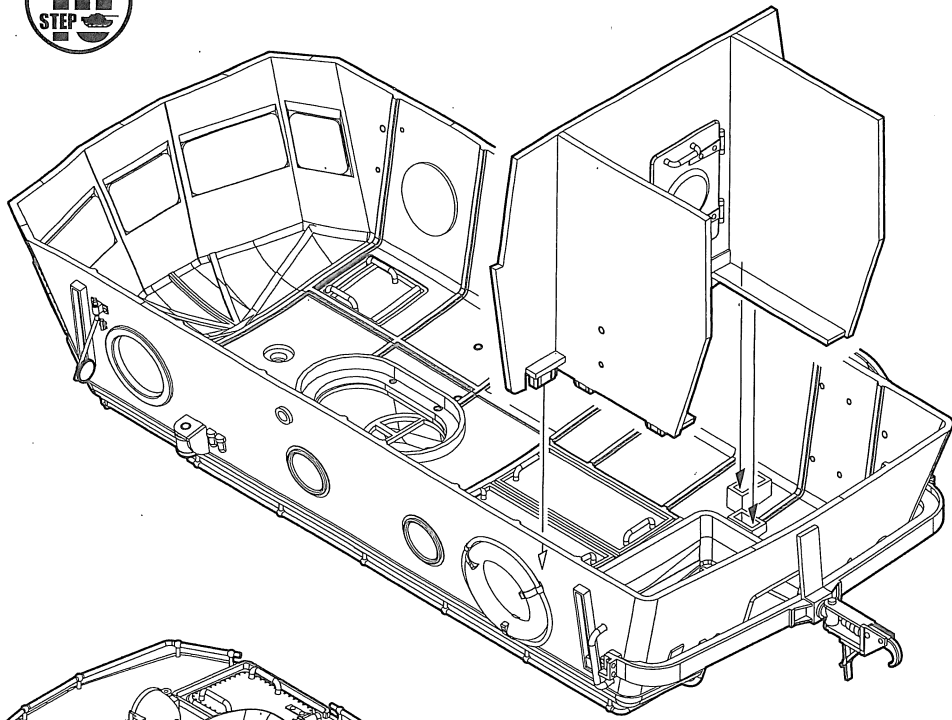


《棉绳》 $\varnothing 0.1$   
Cotton rope

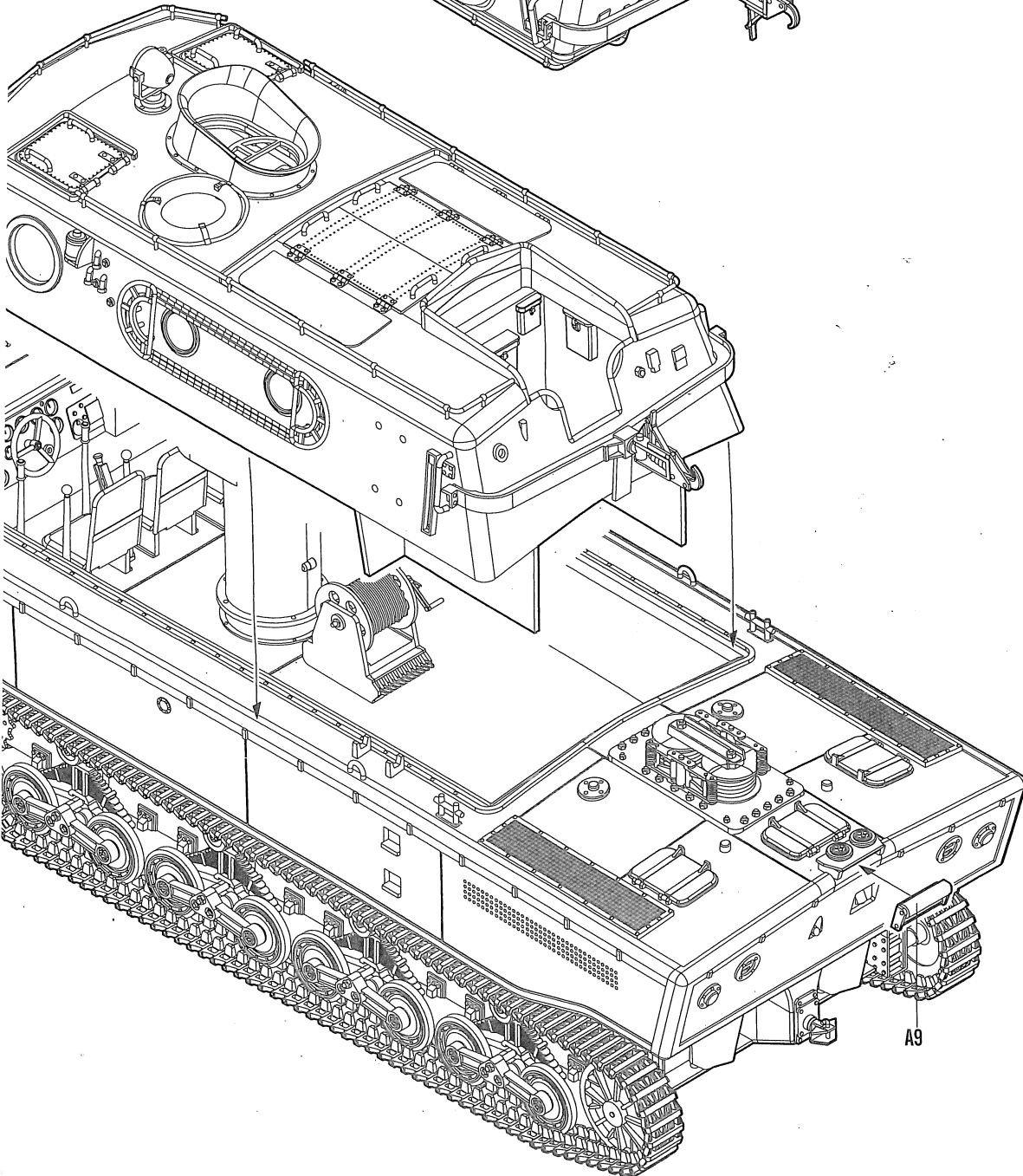
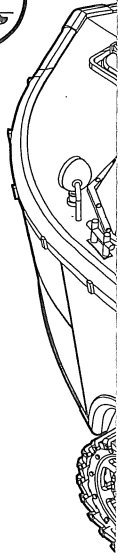




10  
STEP



11  
STEP



A20



option  
选择

A18



A19



