



 NORTH AMERICAN F-86A-5-NA-161 SABRE
UNITED STATES AIR FORCE • ARIZ-ANG • [s/n 49-1288]
ARIZONA AIR NATIONAL GUARD, 197th FIGHTER INTERCEPTOR SQUADRON, SKY HARBOR AIRPORT, PHOENIX, ARIZONA, 1953



1-72

1/72 SCALE
PLASTIC MODEL KIT

WATKINS

PLASTIC
MODEL KIT

F-86A SABRE

MATCHBOX

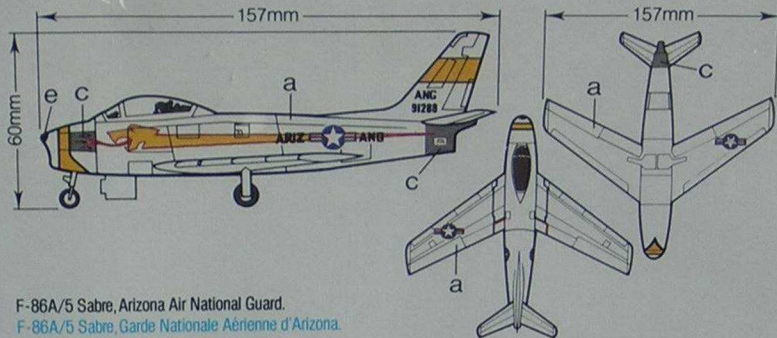
F-86A SABRE

© 1983 Matchbox International Ltd.
Printed in Germany by Revell AG
Imprimé en Allemagne de Revell AG

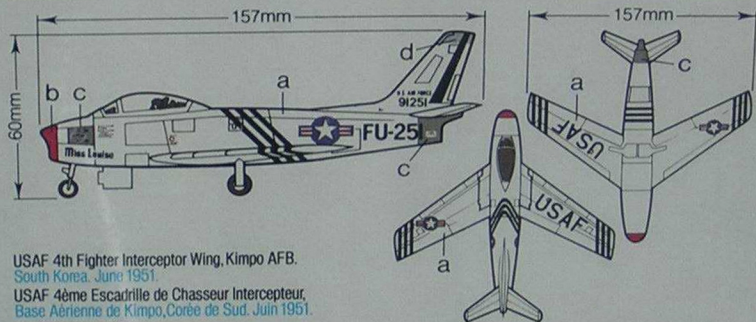


Distributed by Revell AG,
Henschelstr. 20-30, D-4980 Bünde

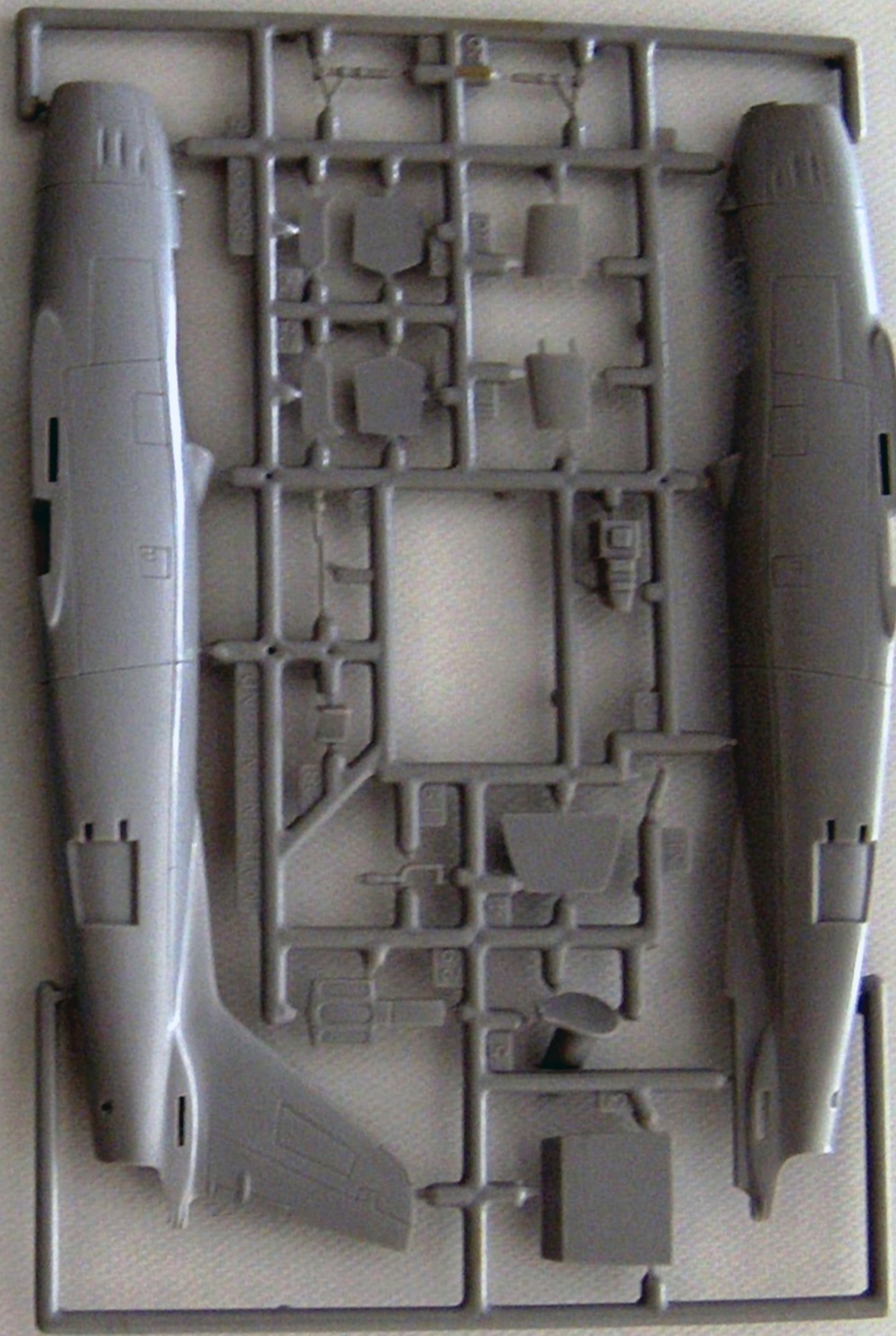
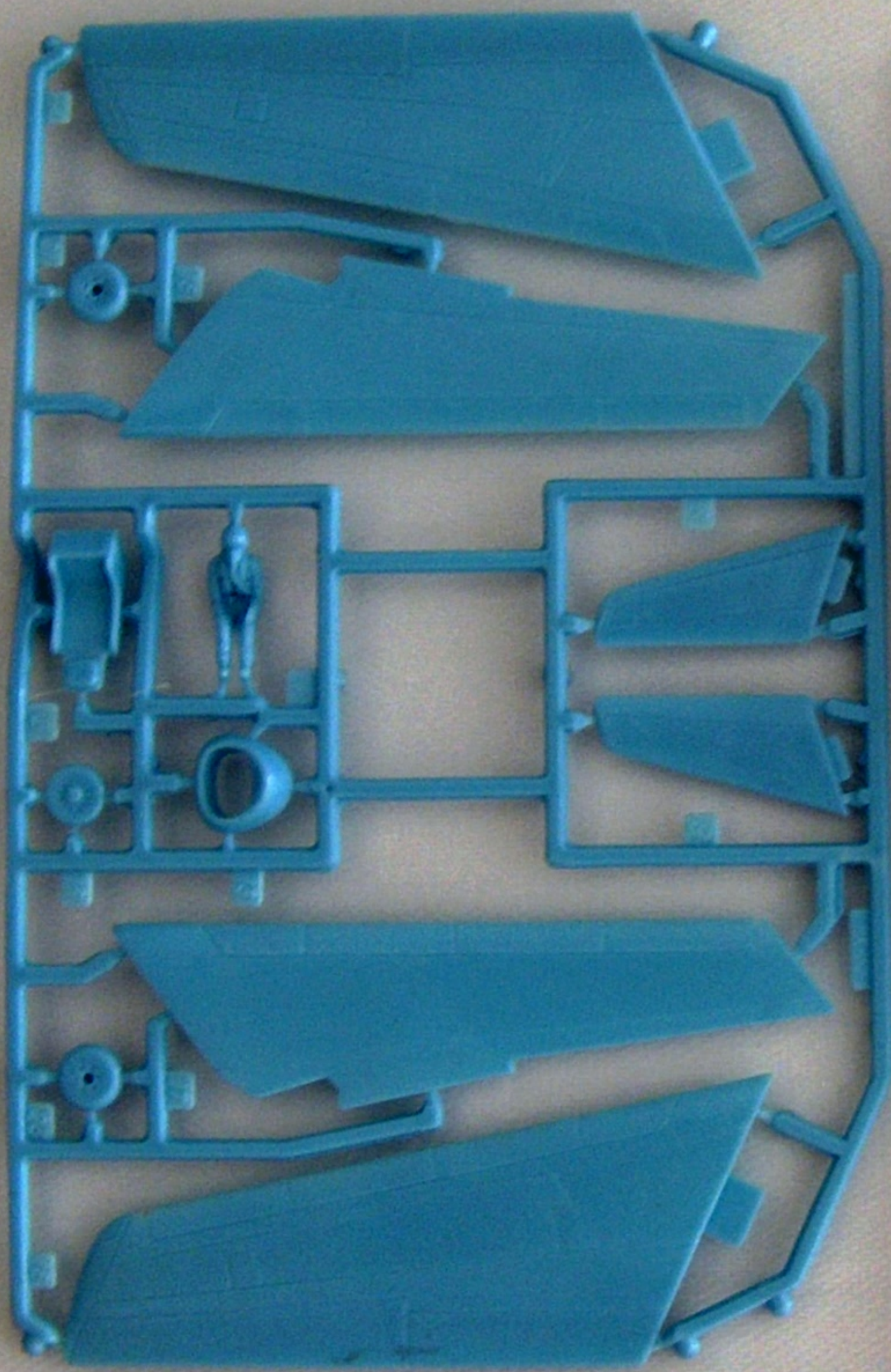
"MATCHBOX" IS REGISTERED TRADEMARK OF MATCHBOX INTERNATIONAL LTD. AND ITS SUBSIDIARIES
"MATCHBOX" IST DAS EINZELFÄHIGE WARENZEICHEN DER MATCHBOX INTERNATIONAL LTD. UND IHREER TOCHTERGESSELLSCHAFTEN
"MATCHBOX" EST LA MARQUE COMMERCIALE DÉPOSÉE DU GROUPE INTERNATIONAL MATCHBOX LTD. ET SES SOCIÉTÉS SUBSIDIARIES



F-86A/5 Sabre, Arizona Air National Guard.
F-86A/5 Sabre, Garde Nationale Aérienne d'Arizona.



USAF 4th Fighter Interceptor Wing, Kimpo AFB.
South Korea, June 1951.
USAF 4ème Escadrille de Chasseur Intercepteur,
Base Aérienne de Kimpo, Corée de Sud, Juin 1951.

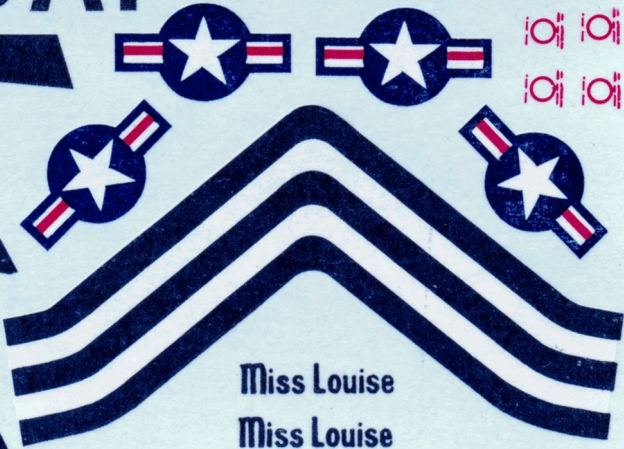


U.S. AIR FORCE
91251

USAF USAF FU-25I FU-25I



F86A SABRE



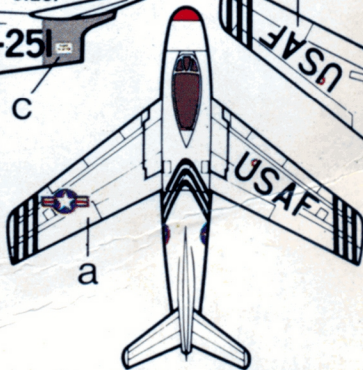
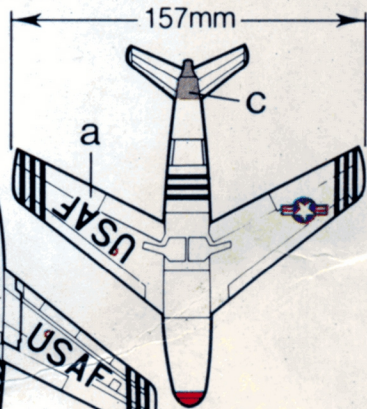
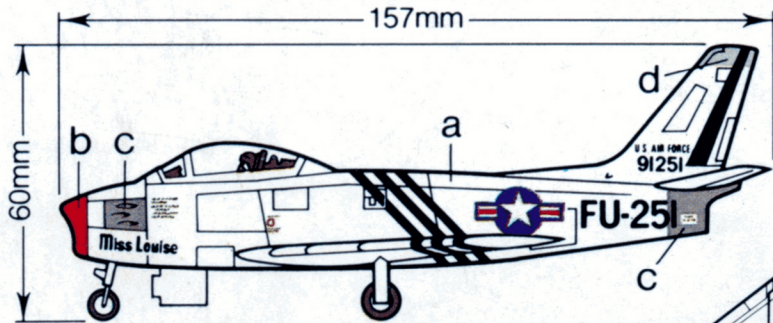
Miss Louise
Miss Louise



ARIZ  ANG

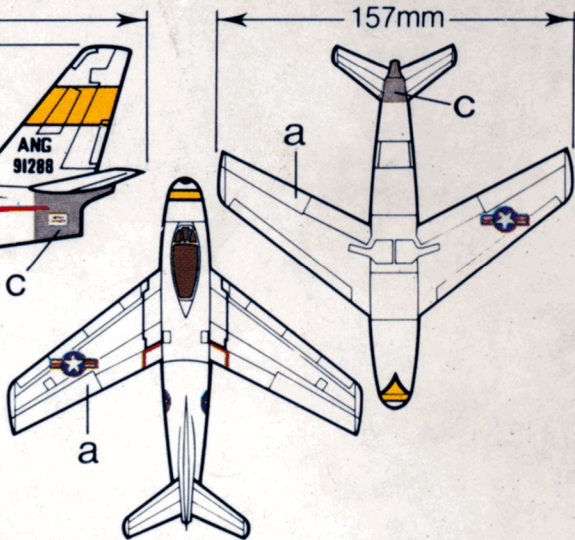
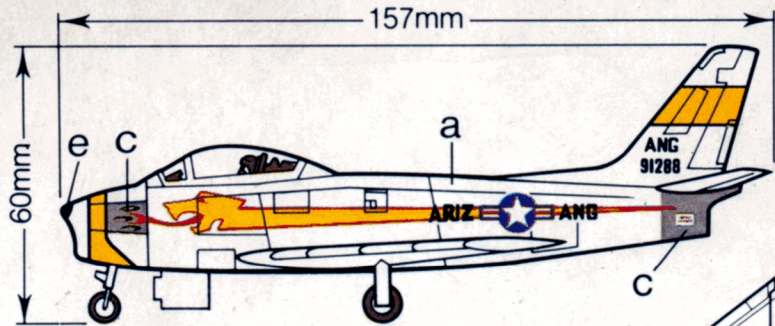
ANG ANG
91288 91288

ARIZ  ANG



USAF 4th Fighter Interceptor Wing, Kimpo AFB.
South Korea. June 1951.

USAF 4ème Escadrille de Chasseur Intercepteur,
Base Aérienne de Kimpo, Corée de Sud. Juin 1951.



F-86A/5 Sabre, Arizona Air National Guard.
F-86A/5 Sabre, Garde Nationale Aérienne d'Arizona.

PROTECT YOUR

**FROM SEVERE
FLOOD DAMAGE**

PH-32

PH-32 is a
waterproof
sealant that
prevents
water damage
to your home.

ASSEMBLY

CONSTRUCTION SERVICE

PH-32

FOR COMPLETE DETAILS

PH-32 is a water resistant sealant that prevents water damage to your home. It is used to seal windows, doors, and other openings in masonry and concrete. It is also used to seal cracks and joints in masonry and concrete. PH-32 is available in a variety of colors to match your home's exterior. It is easy to apply and dries quickly. For more information, contact your local construction service.

PH-32 is a water resistant sealant that prevents water damage to your home. It is used to seal windows, doors, and other openings in masonry and concrete. It is also used to seal cracks and joints in masonry and concrete. PH-32 is available in a variety of colors to match your home's exterior. It is easy to apply and dries quickly. For more information, contact your local construction service.



The first step in the process of creating a new product is to identify a market need. This is often done through market research, which involves gathering information about the target market and its needs. Once a market need has been identified, the next step is to develop a concept for a product that meets that need. This is often done through brainstorming and prototyping. Once a concept has been developed, the next step is to create a business plan. This involves determining the costs of production, the pricing strategy, and the marketing strategy. Once a business plan has been created, the next step is to secure funding. This can be done through a variety of methods, including bank loans, venture capital, and crowdfunding. Once funding has been secured, the next step is to manufacture the product. This involves sourcing materials, hiring workers, and setting up a production line. Once the product has been manufactured, the next step is to distribute it. This can be done through a variety of methods, including direct sales, retail stores, and online sales. Finally, the product must be marketed. This involves creating a marketing campaign that reaches the target market and encourages them to purchase the product.

The second step in the process of creating a new product is to develop a concept for a product that meets that need. This is often done through brainstorming and prototyping. Brainstorming involves generating a large number of ideas, and prototyping involves creating a small-scale model of the product to test its feasibility.

The third step in the process of creating a new product is to create a business plan. This involves determining the costs of production, the pricing strategy, and the marketing strategy. A business plan is a document that outlines the financial and operational aspects of a business, and it is used to attract investors and secure funding.

The fourth step in the process of creating a new product is to secure funding. This can be done through a variety of methods, including bank loans, venture capital, and crowdfunding. Funding is essential for covering the costs of production and marketing, and it is often a major challenge for new product developers.

The fifth step in the process of creating a new product is to manufacture the product. This involves sourcing materials, hiring workers, and setting up a production line. Manufacturing is often a complex and costly process, and it is essential for bringing a product to market.



8



Importante:
 Non forzare.
 Non usare il cacciavite
 allungato.
 Non forzare il pezzo
 superiore.
 Per il modo di assemblare
 questo pezzo,
 per altre informazioni
 visitate il sito Web.

ATTENZIONE: Non forzare il pezzo.
 Non usare il cacciavite
 allungato.

28 29 28 29



1. **NAME**
 2. **ADDRESS**
 3. **CITY**
 4. **STATE**
 5. **ZIP**

NAME
ADDRESS
CITY
STATE
ZIP

NAME
ADDRESS
CITY
STATE
ZIP

NAME
ADDRESS
CITY
STATE
ZIP

NAME
ADDRESS
CITY
STATE
ZIP

NAME
ADDRESS
CITY
STATE
ZIP

NAME
ADDRESS
CITY
STATE
ZIP

6. **NAME**
 7. **ADDRESS**
 8. **CITY**
 9. **STATE**
 10. **ZIP**

NAME
ADDRESS
CITY
STATE
ZIP

NAME
ADDRESS
CITY
STATE
ZIP

NAME
ADDRESS
CITY
STATE
ZIP

NAME
ADDRESS
CITY
STATE
ZIP

NAME
ADDRESS
CITY
STATE
ZIP

NAME
ADDRESS
CITY
STATE
ZIP

11. **NAME**
 12. **ADDRESS**
 13. **CITY**
 14. **STATE**
 15. **ZIP**

NAME
ADDRESS
CITY
STATE
ZIP

NAME
ADDRESS
CITY
STATE
ZIP

NAME
ADDRESS
CITY
STATE
ZIP

NAME
ADDRESS
CITY
STATE
ZIP

NAME
ADDRESS
CITY
STATE
ZIP

NAME
ADDRESS
CITY
STATE
ZIP

NAME
ADDRESS
CITY
STATE
ZIP



■ **Stützpunktübungen** sind Übungen, die die Stützkräfte des Körpers stärken. Sie sind besonders wichtig für die Haltung und die Beweglichkeit. Zu den Stützpunktübungen gehören das Sitzen, das Stehen, das Gehen und das Laufen. Diese Übungen sind in der folgenden Tabelle dargestellt.

■ **Stützpunktübungen** sind Übungen, die die Stützkräfte des Körpers stärken. Sie sind besonders wichtig für die Haltung und die Beweglichkeit. Zu den Stützpunktübungen gehören das Sitzen, das Stehen, das Gehen und das Laufen. Diese Übungen sind in der folgenden Tabelle dargestellt.

■ **Stützpunktübungen** sind Übungen, die die Stützkräfte des Körpers stärken. Sie sind besonders wichtig für die Haltung und die Beweglichkeit. Zu den Stützpunktübungen gehören das Sitzen, das Stehen, das Gehen und das Laufen. Diese Übungen sind in der folgenden Tabelle dargestellt.

■ **Stützpunktübungen** sind Übungen, die die Stützkräfte des Körpers stärken. Sie sind besonders wichtig für die Haltung und die Beweglichkeit. Zu den Stützpunktübungen gehören das Sitzen, das Stehen, das Gehen und das Laufen. Diese Übungen sind in der folgenden Tabelle dargestellt.