



1:48 scale

TF-9J (F9F-8T)

"COUGAR"

拼裝說明書

Instruction



RESEARCH MATERIALS
PROVIDED BY
DETAIL & SCALE
www.detailandscale.com



Please visit our web site at
www.kittyhawkmodel.com

Instruction

TF-9J (F9F-8T)

"美洲獅"

Item No.KH80129

READ BEFORE ASSEMBLY

在組合您的模型之前，請充分閱讀本冊說明書。組合模型您需要如下物品（需另購）：模型膠水；一把模型鉗或一把用於將零件從框架上切下的模型筆刀。筆刀同樣可以用來修整零件的合模縫。祝您制作愉快！

Before assembling your model kit, read through these instructions carefully. To assemble this kit, you will need Plastic glue (not include). A pair of side cutter or a sharp modelling knife is required for removing parts from the frame. Plastic mould lines can be removed with the modelling knife.

- 

請注意
Special instructions
- 

隨愛好選擇
Optional
- 

組合完成
Finished Assembly
- 

制作兩組
Make Two
- 

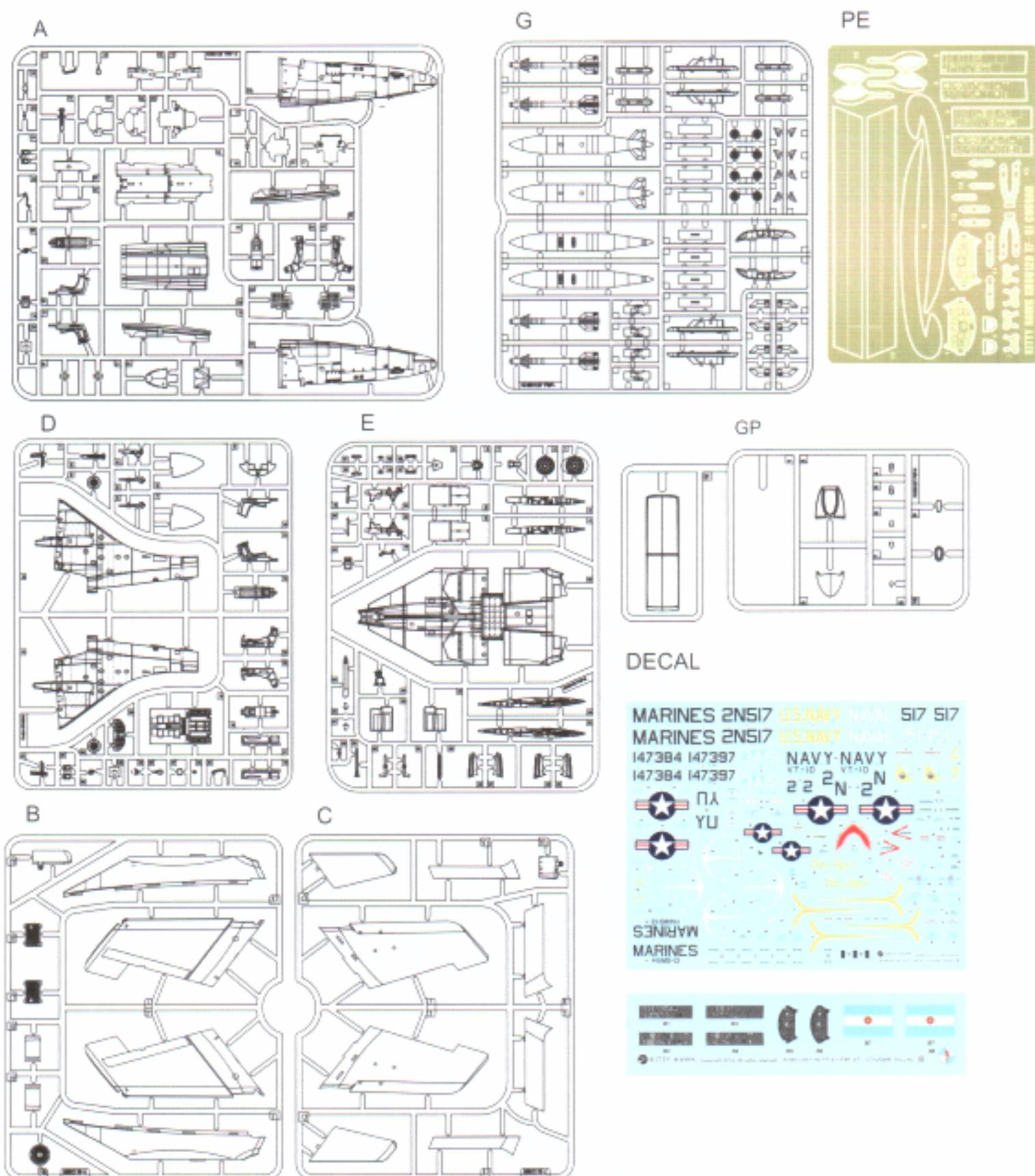
配重
Weight
- 

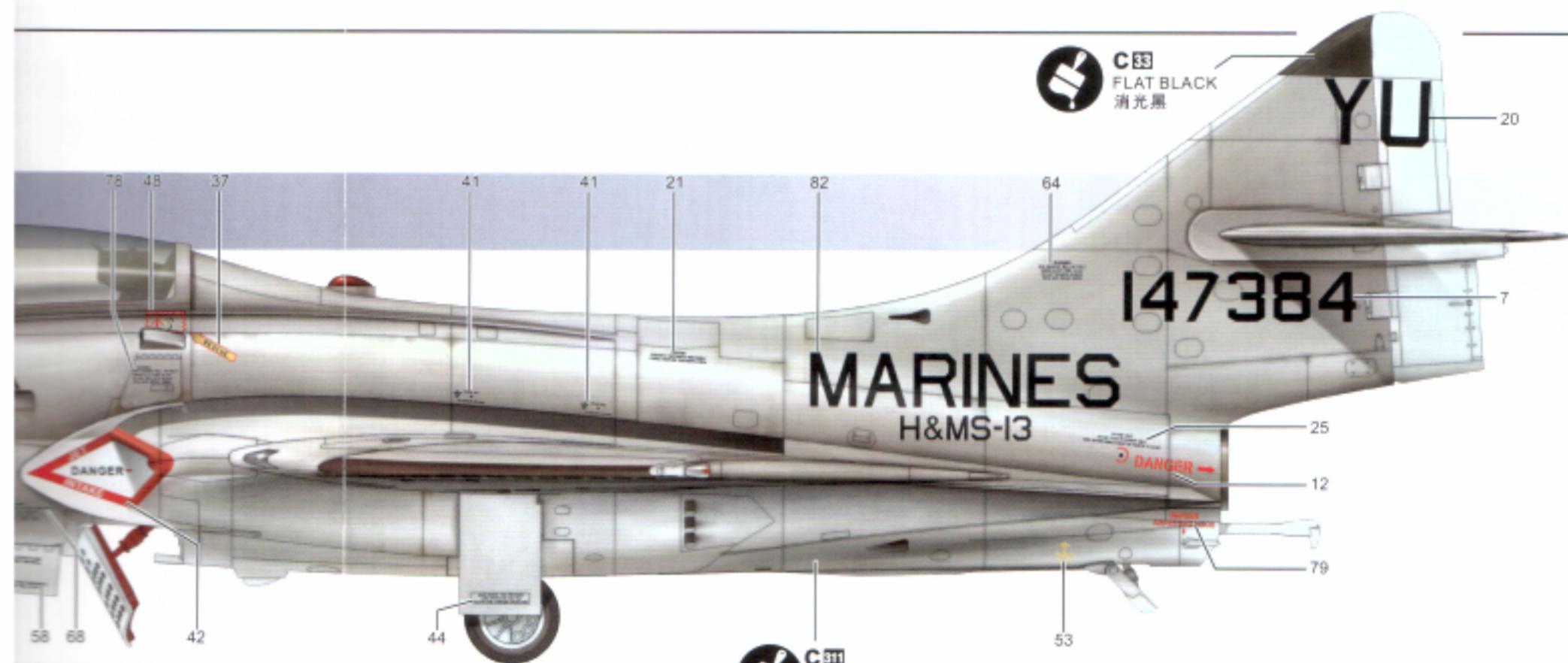
塗色
Painting
- 

無需膠粘
Do Not Cement
- 

對側
Opposite

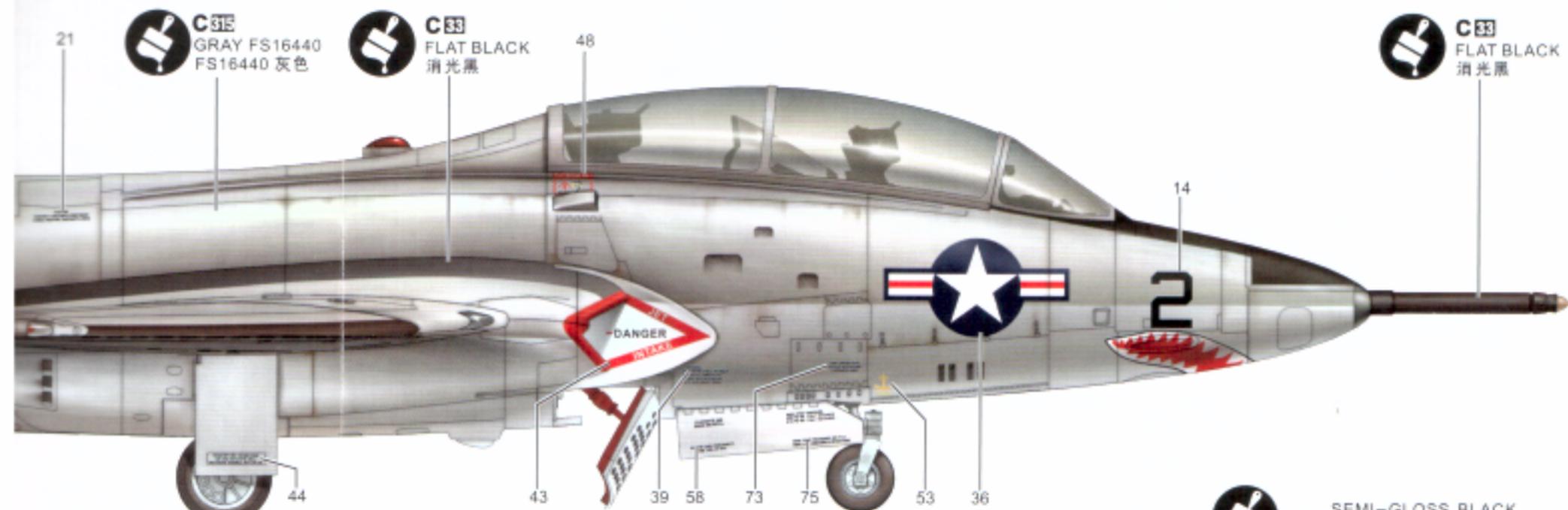
部品圖 PARTS





C33
FLAT BLACK
消光黑

C311
GRAY FS 36622
FS 36622 灰



C31E
GRAY FS16440
FS16440 灰色

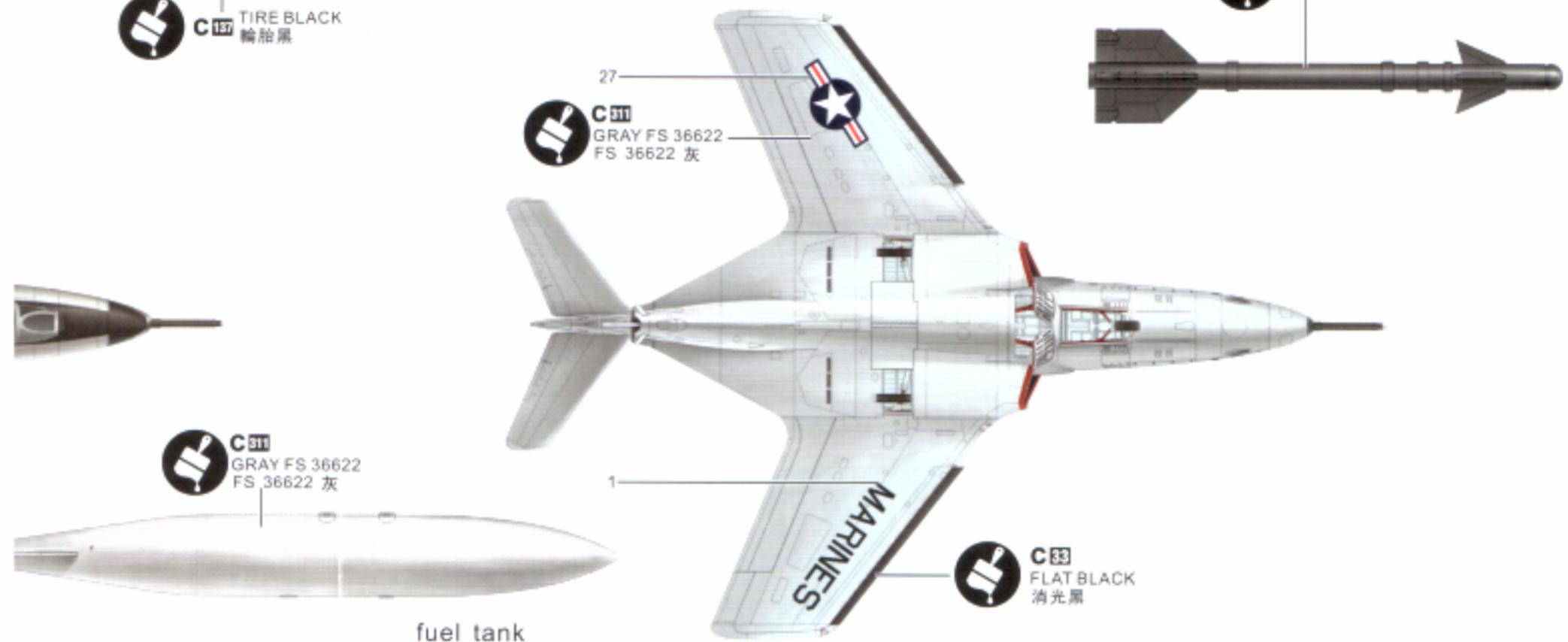
C33
FLAT BLACK
消光黑

C33
FLAT BLACK
消光黑

C137
TIRE BLACK
輪胎黑

C311
GRAY FS 36622
FS 36622 灰

C92
SEMI-GLOSS BLACK
半光澤黑



C311
GRAY FS 36622
FS 36622 灰

C33
FLAT BLACK
消光黑

fuel tank

1

E21(A34)

D27(A18)

C2 BLACK 黑色

x2 制作兩組 Make Two

D28(A35)

D12(A29)

C311 GRAY FS 36622 FS 36622 灰

D10(A30)

C311 GRAY FS 36622 FS 36622 灰

D11(A31)

C41 TAN 棕黄色 PE13

x2 制作兩組 Make Two

PE14 Bend

? 隨愛好選擇 Optional

Pilot seat

C2 BLACK 黑色

D14(A7)

C41 TAN 棕黄色

D15(A6)

C2 BLACK 黑色

D16(A5)

D25(A16)

C3 RED 紅色

C41 TAN 棕黄色

PE10 Bend

x2 制作兩組 Make Two

PE9

C41 TAN 棕黄色

PE12 Bend

? 隨愛好選擇 Optional

Pilot seat

2

Decal B3

對側PE6 Opposite

PE5

C311 GRAY FS 36622 FS 36622 灰

Decal B1

對側PE4 Opposite PE3

Decal B4

A12

Decal B2

C8 SILVER 銀色

C311 GRAY FS 36622 FS 36622 灰

D30

E16

A24

A25

C8 SILVER 銀色

C311 GRAY FS 36622 FS 36622 灰

A21

PE1

Decal B5

A19

A22

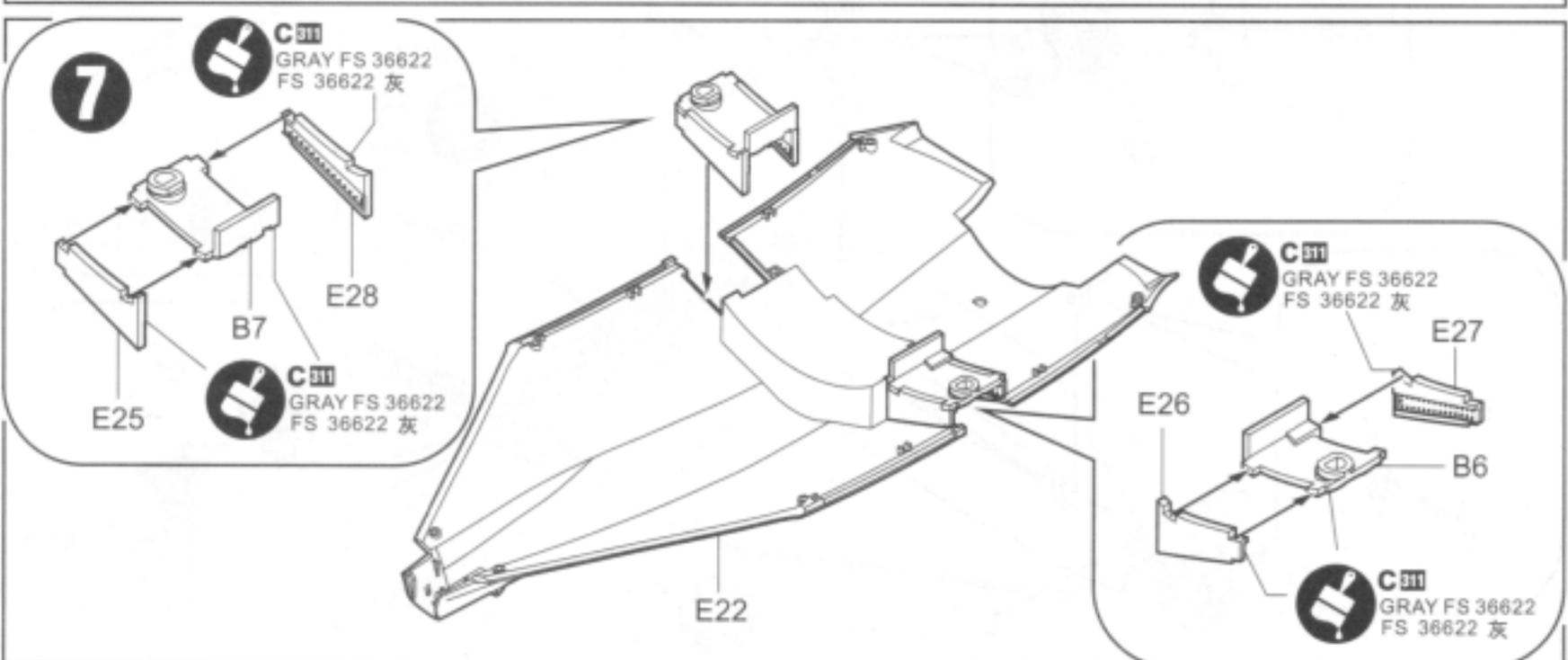
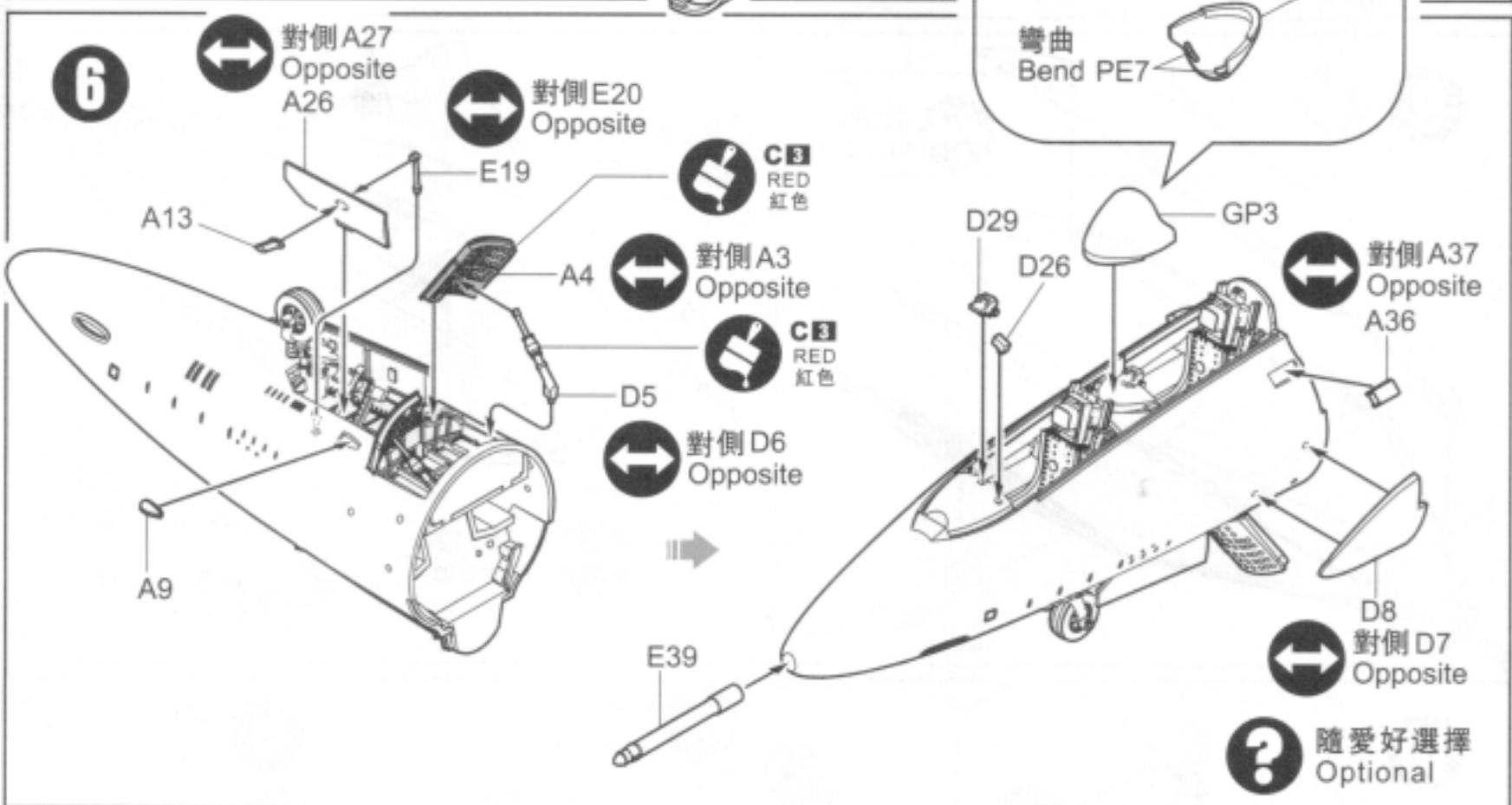
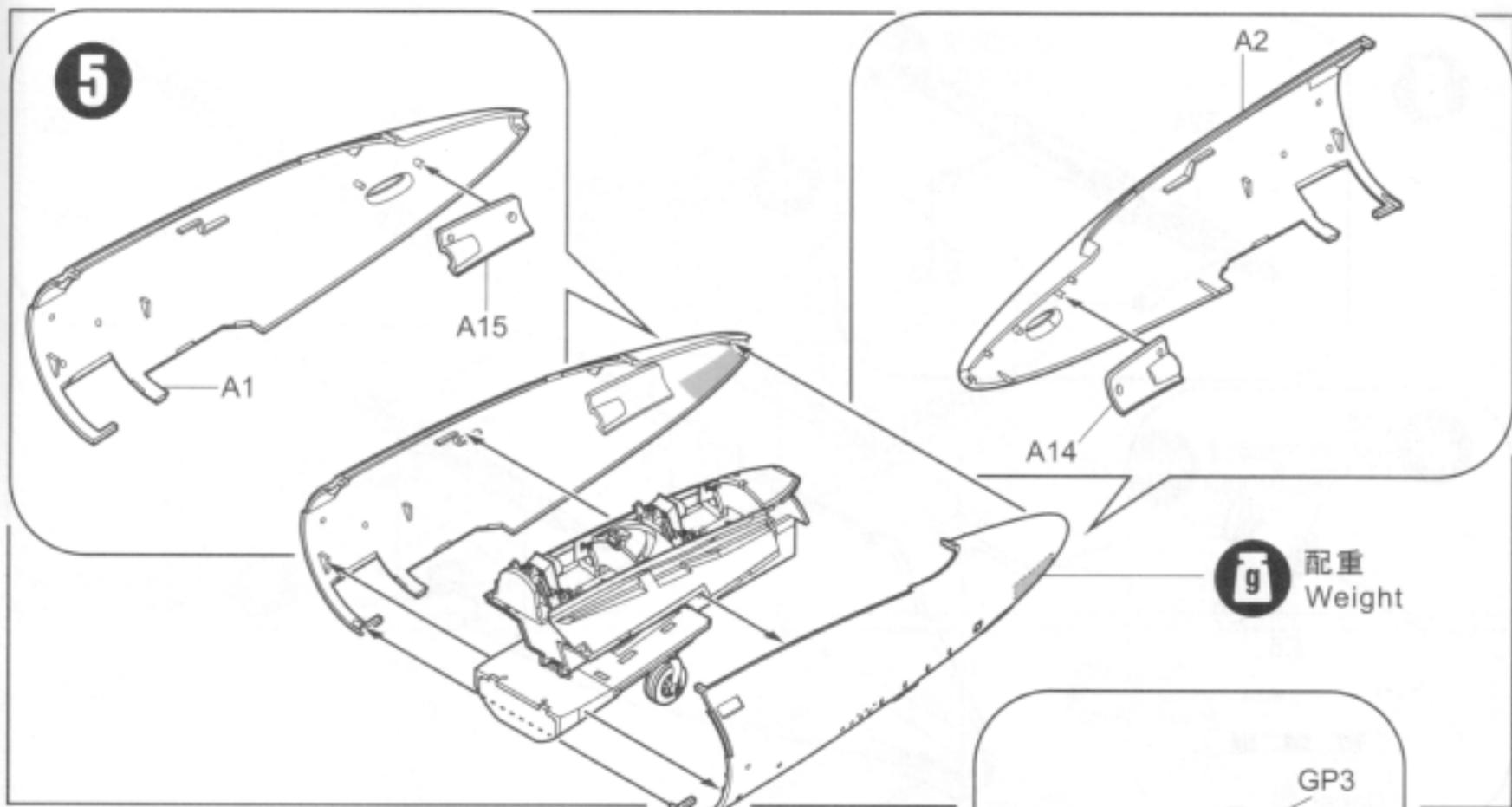
D2

C311 GRAY FS 36622 FS 36622 灰

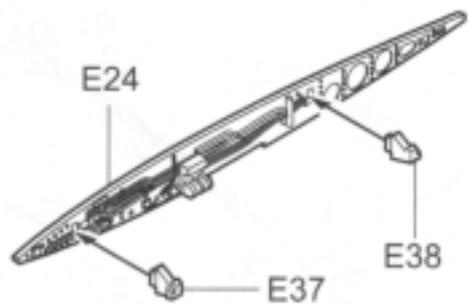
A22

PE2

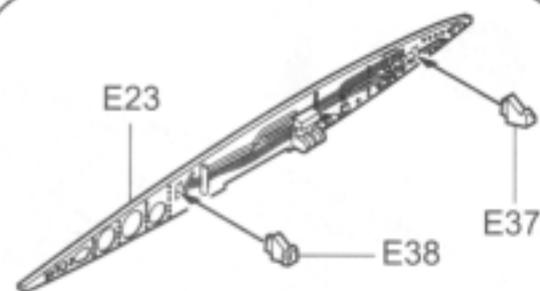
Decal B6



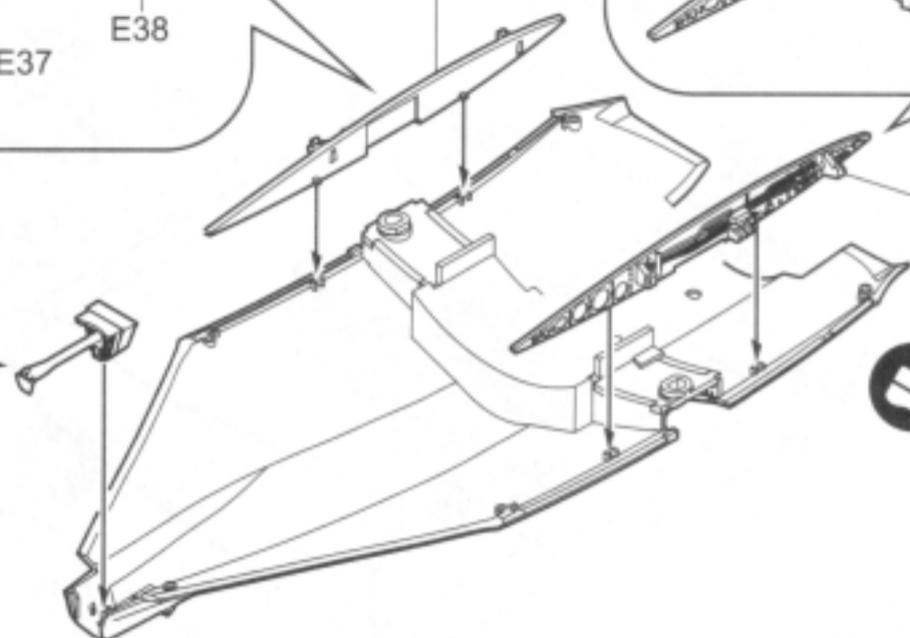
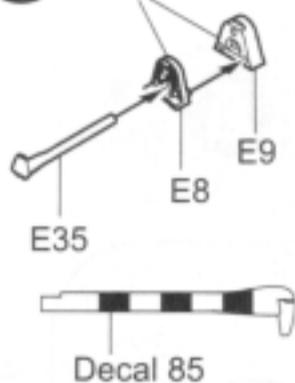
8



C27
INTERIOR GREEN
內部綠

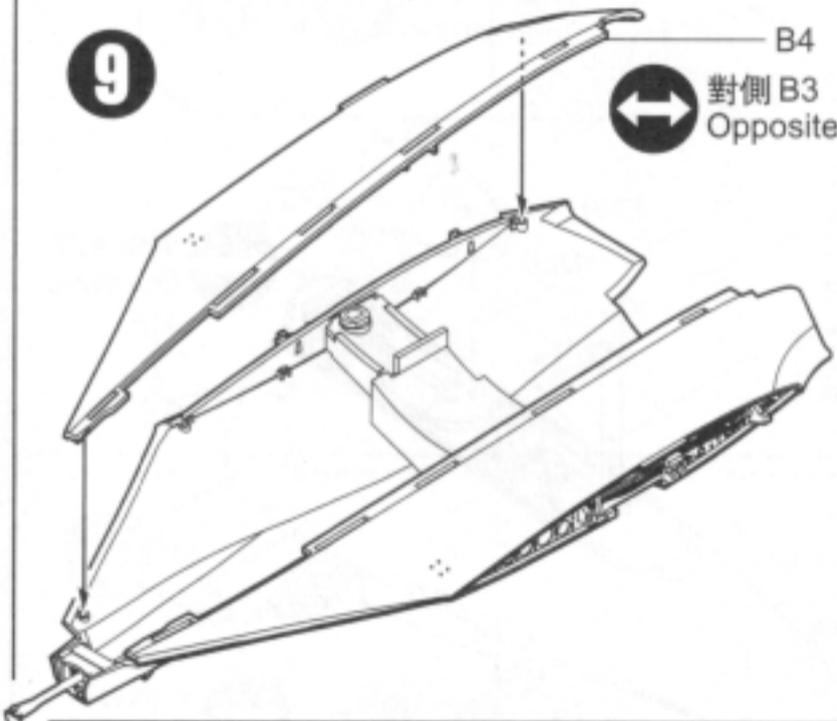


C311
GRAY FS 36622
FS 36622 灰



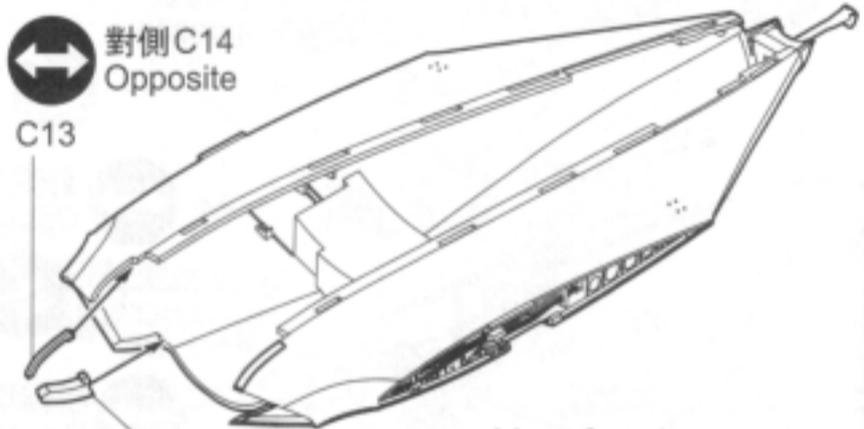
C27
INTERIOR GREEN
內部綠

9



B4
對側 B3
Opposite

對側 C14
Opposite



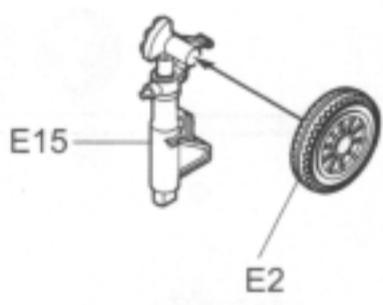
C13

對側 C12
Opposite

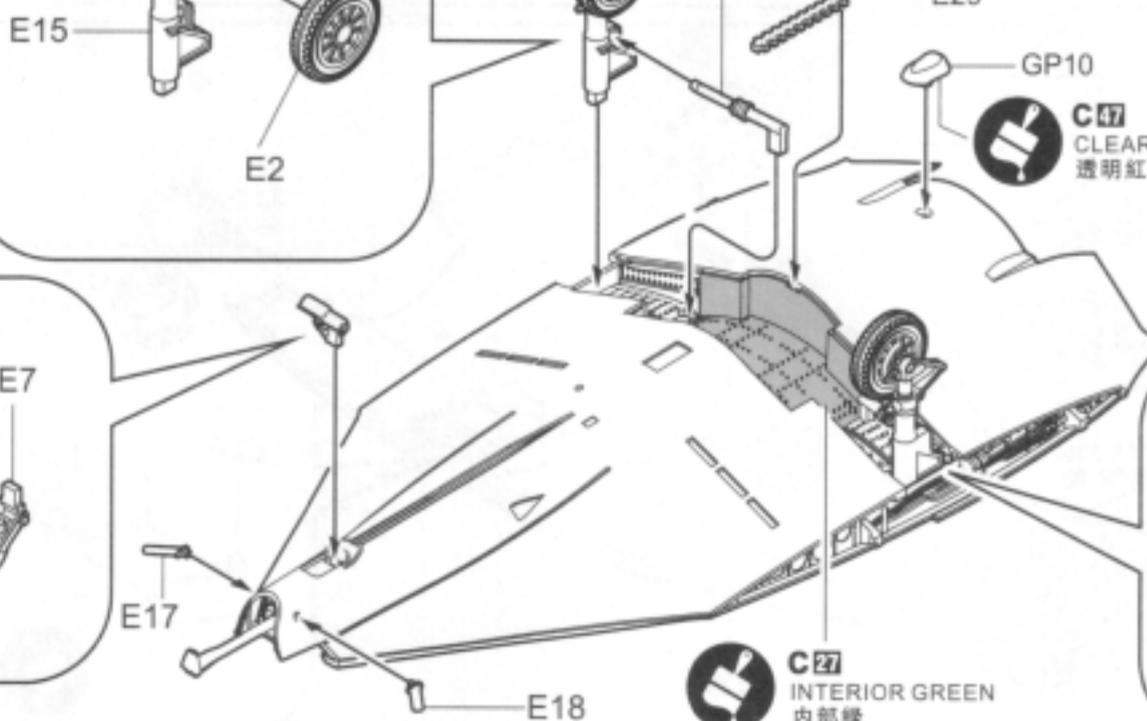
Use for the early version of F9F-8T.

? 隨愛好選擇
Optional

10



對側 E31
Opposite



E34

E29

GP10

C17
CLEAR RED
透明紅

C3
RED
紅色

E31 and E34

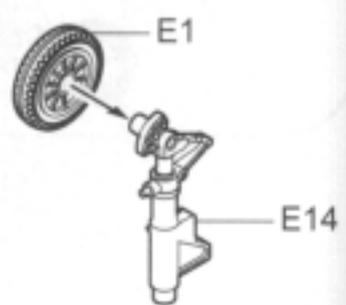
C311
GRAY FS 36622
FS 36622 灰

E7
E36

E17

E18

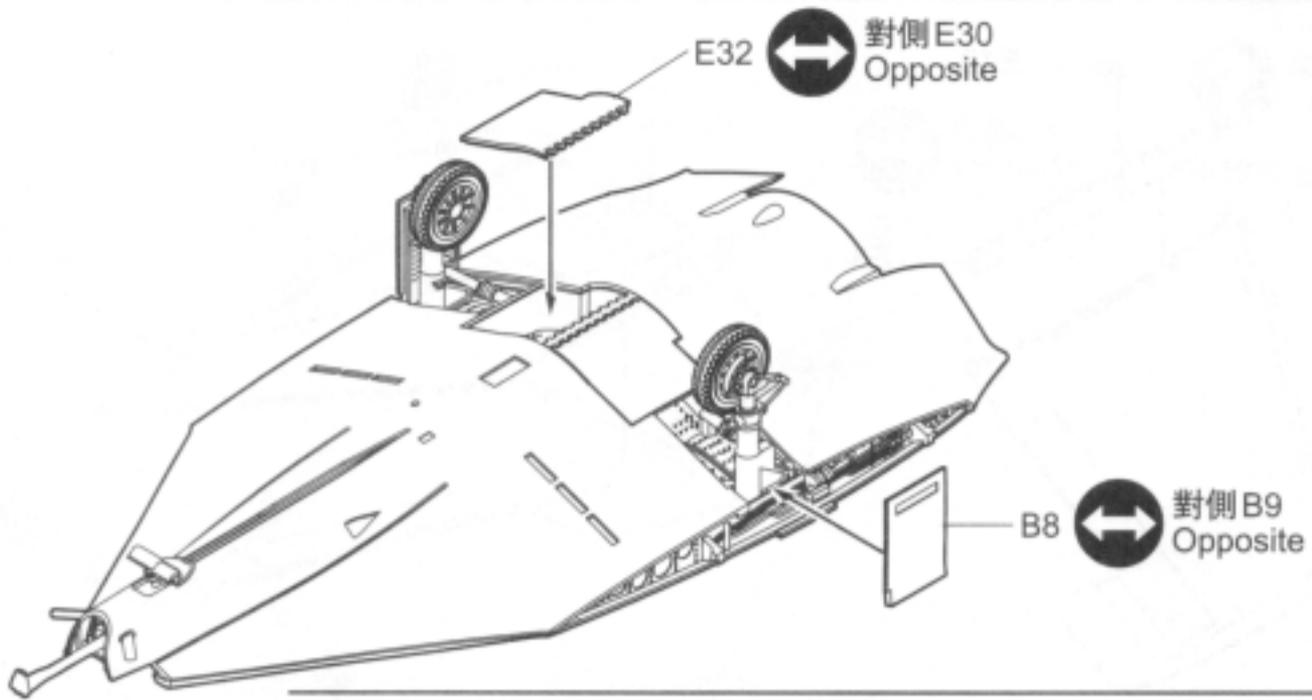
C27
INTERIOR GREEN
內部綠



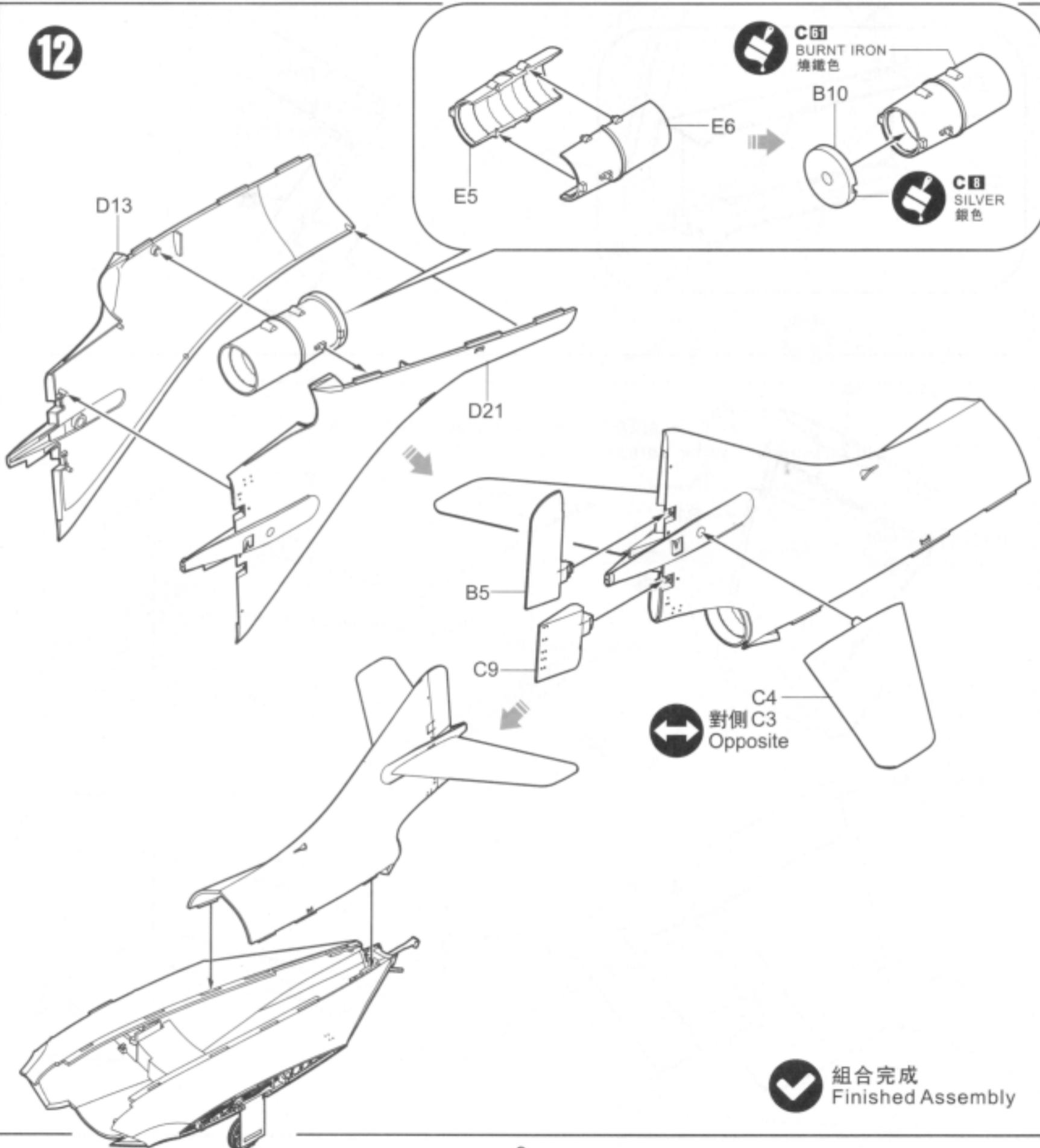
E1

E14

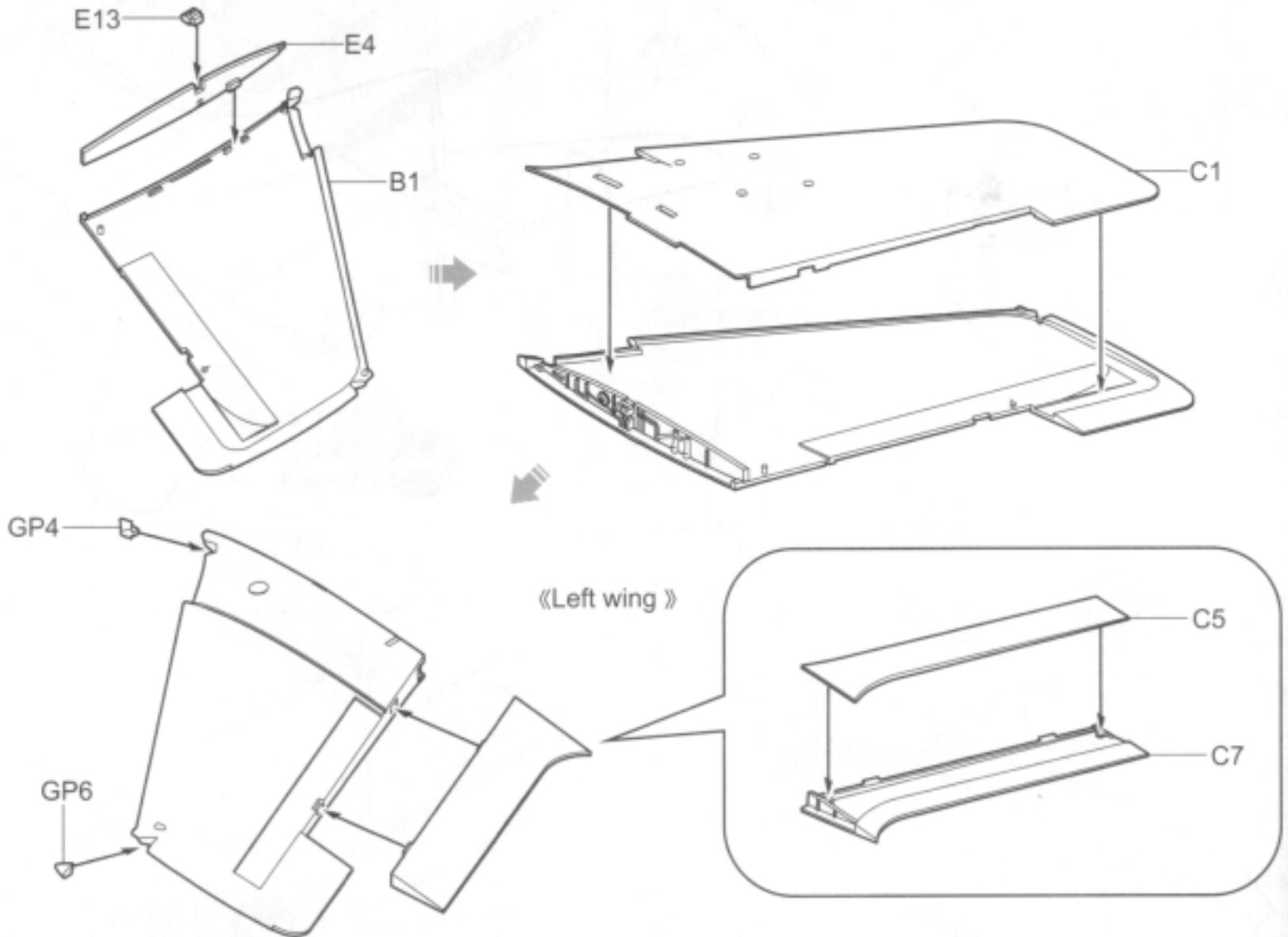
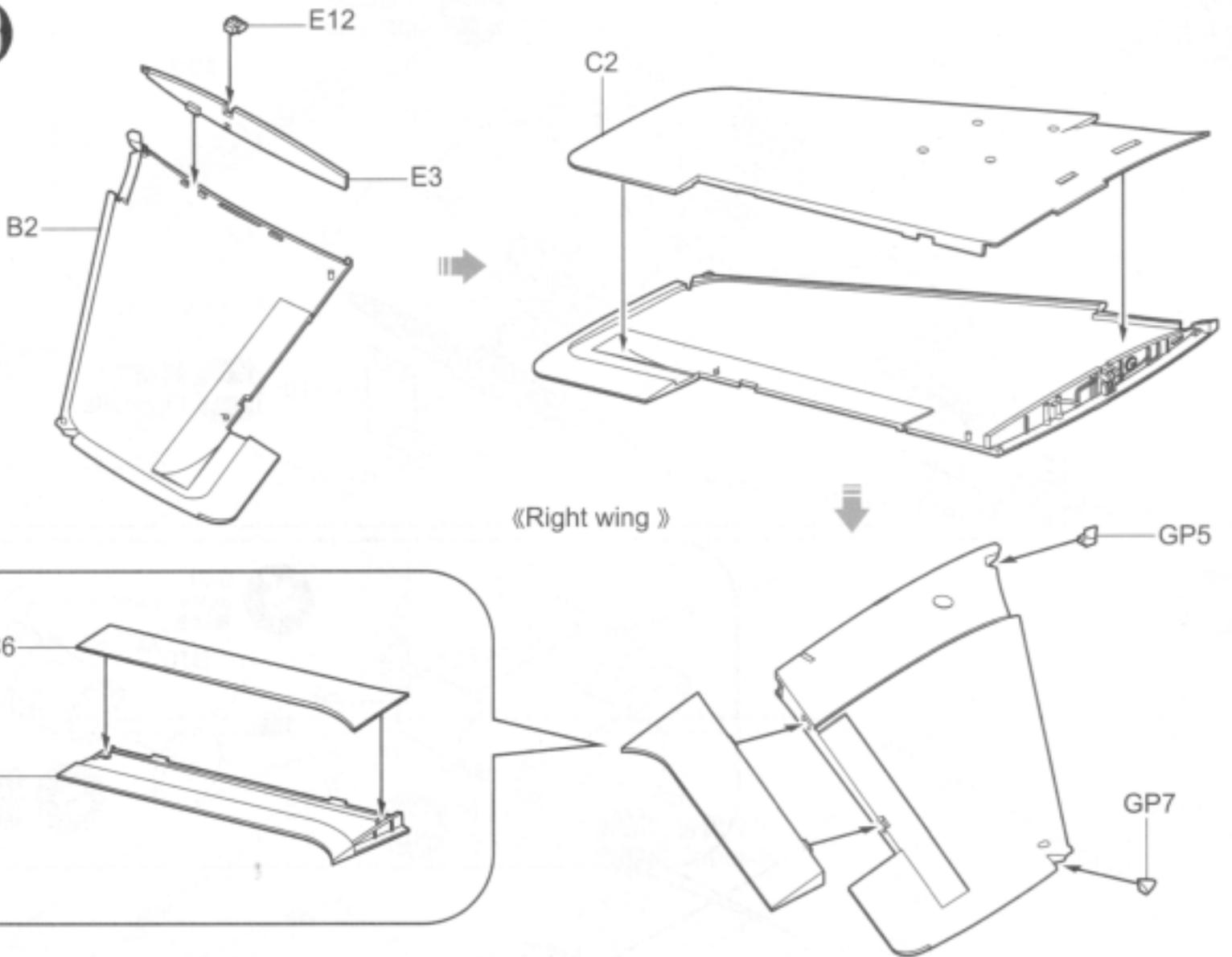
11



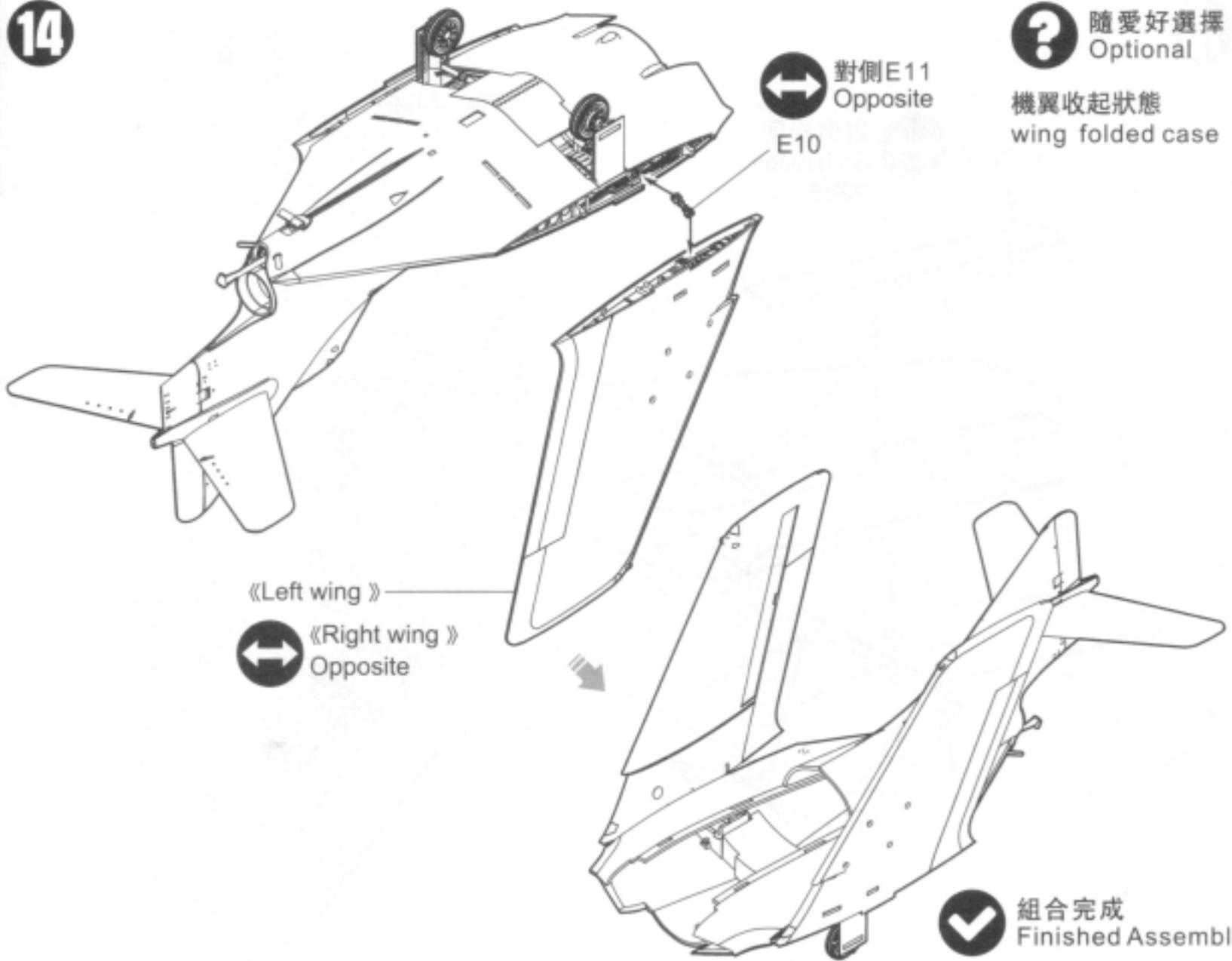
12



13



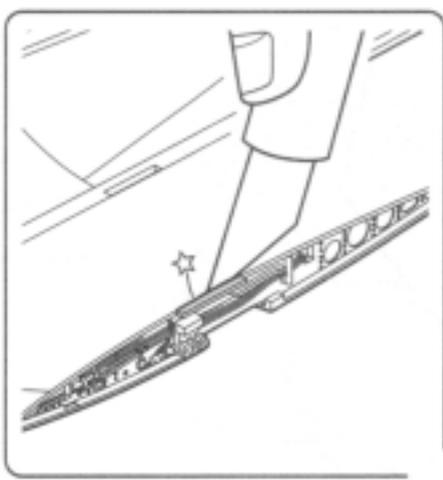
14



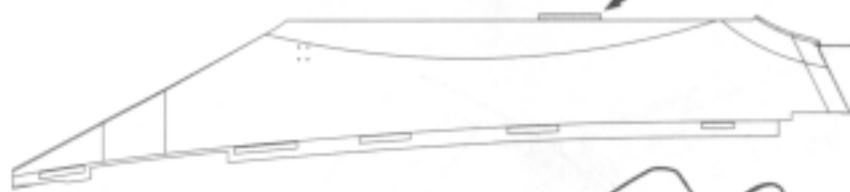
? 隨愛好選擇
Optional

機翼收起狀態
wing folded case

✓ 組合完成
Finished Assembly



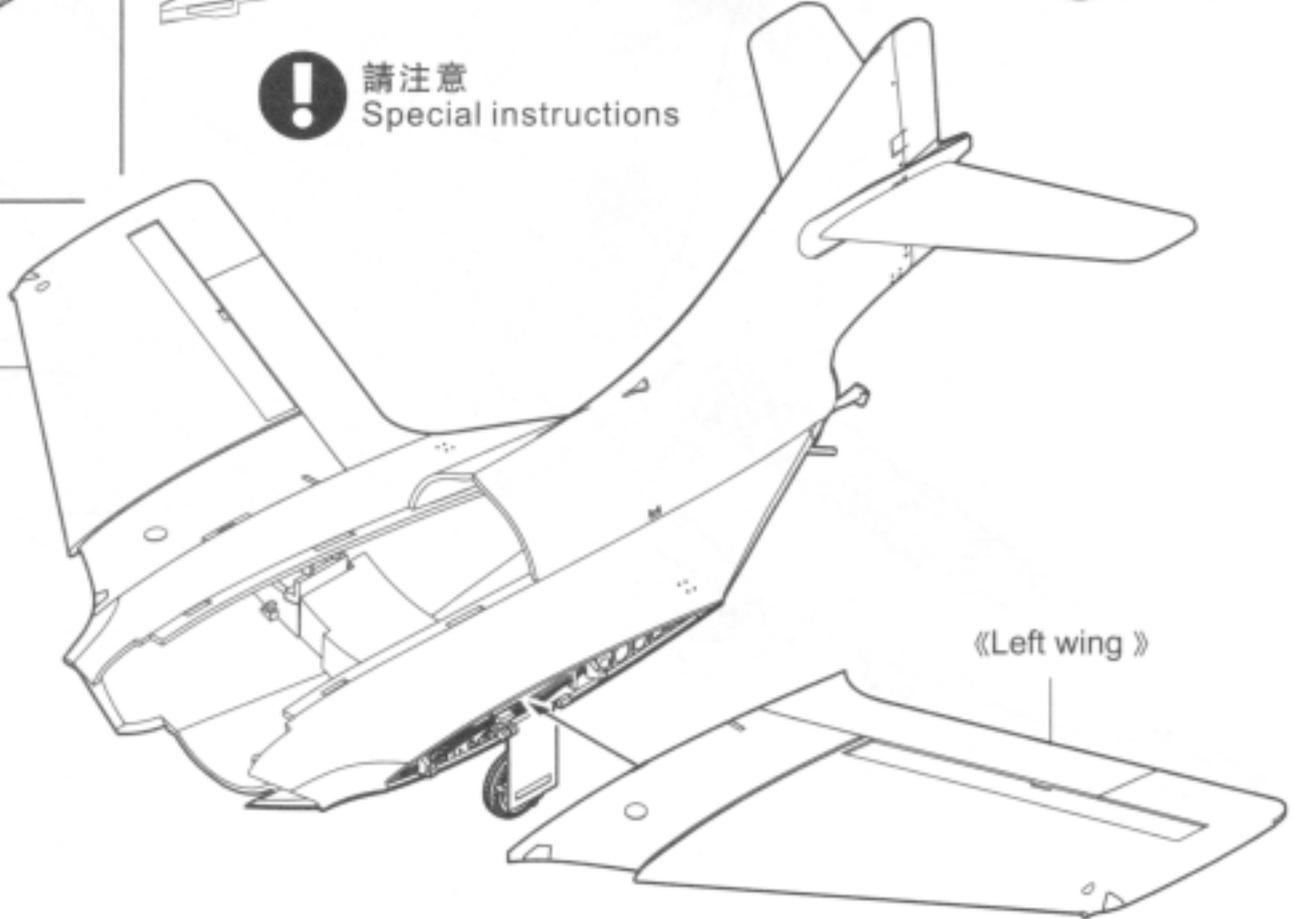
當制作機翼展開狀態時，請切除陰影部分的零件
remove this Grey shading indicates when the wing unfold



B4
對側相同
Both sides

! 請注意
Special instructions

《Right wing》



《Left wing》

? 隨愛好選擇
Optional

機翼打開狀態
wing unfold case

15

C47
CLEAR RED
透明紅

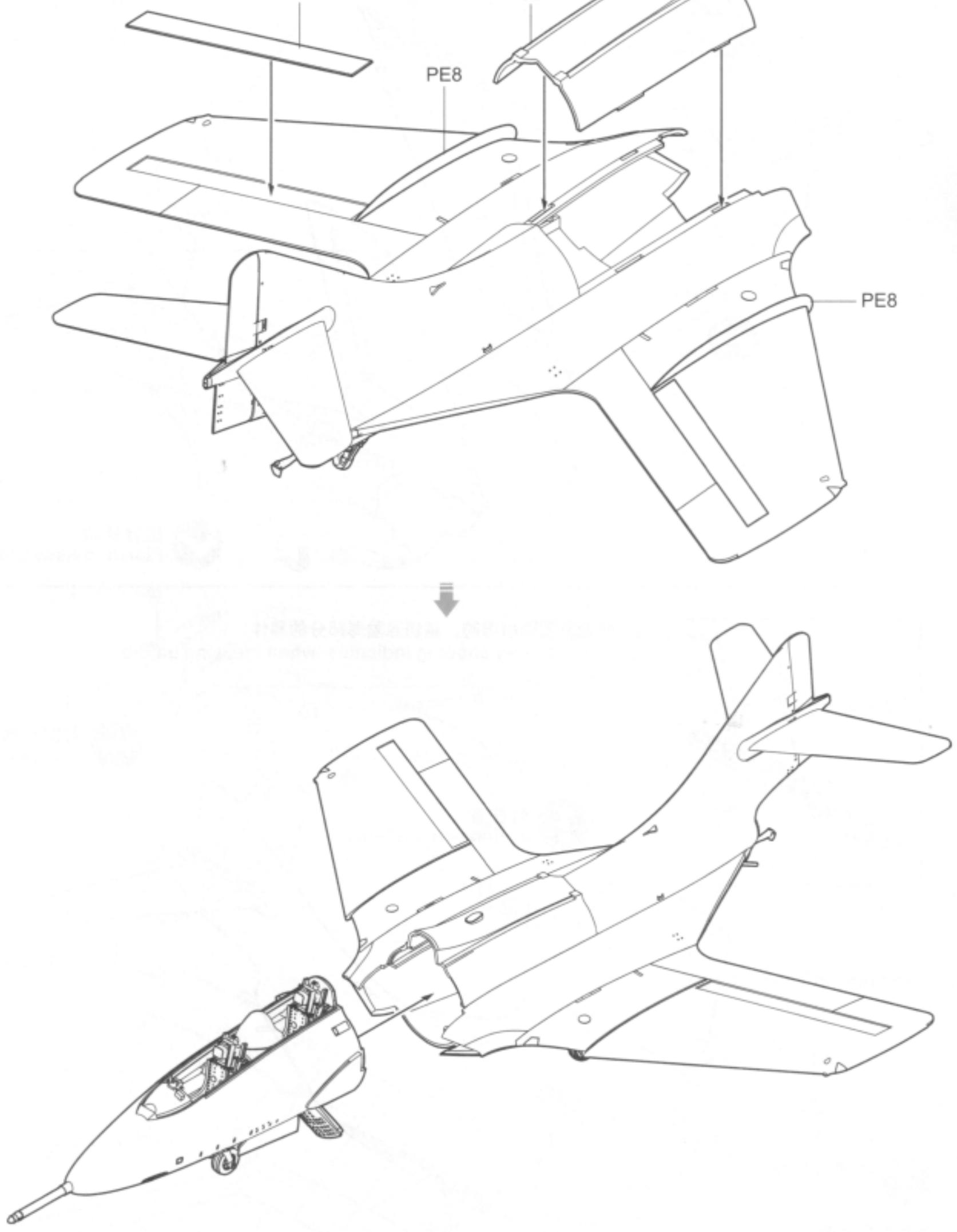
對側相同
Both sides
PE15

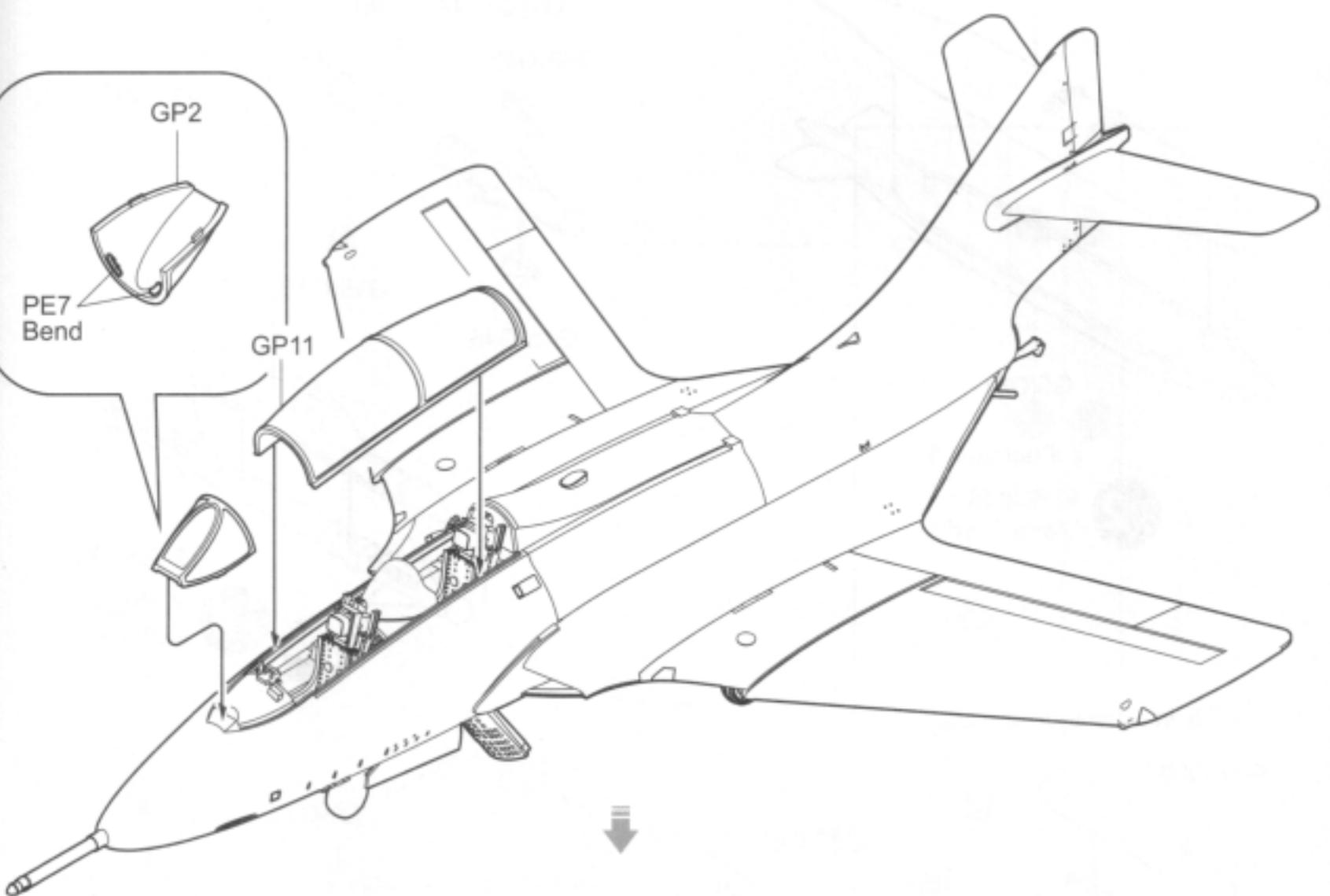
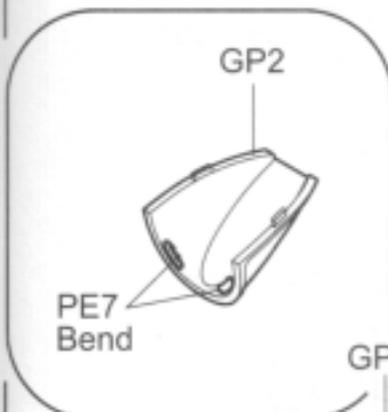
GP9

A32

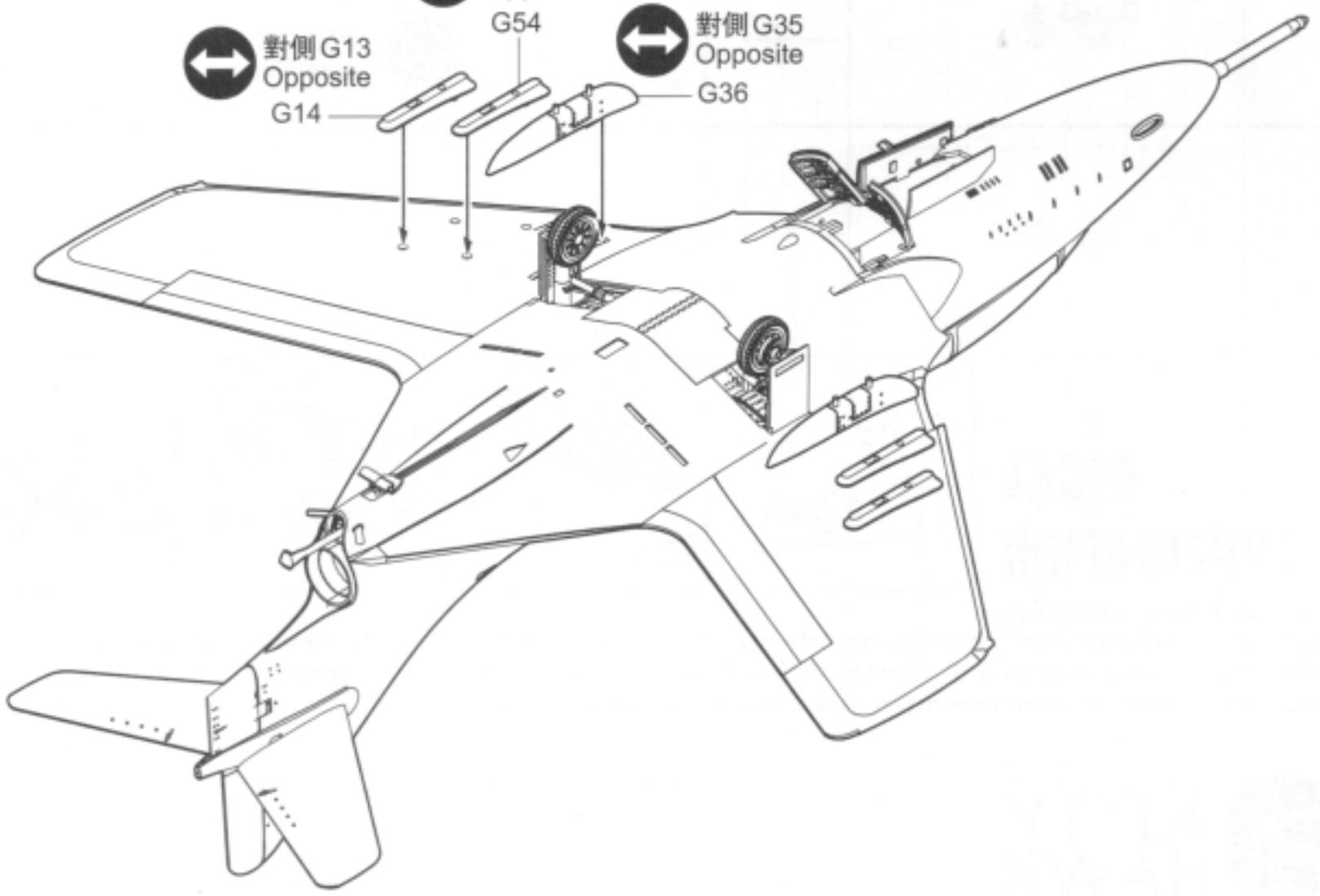
PE8

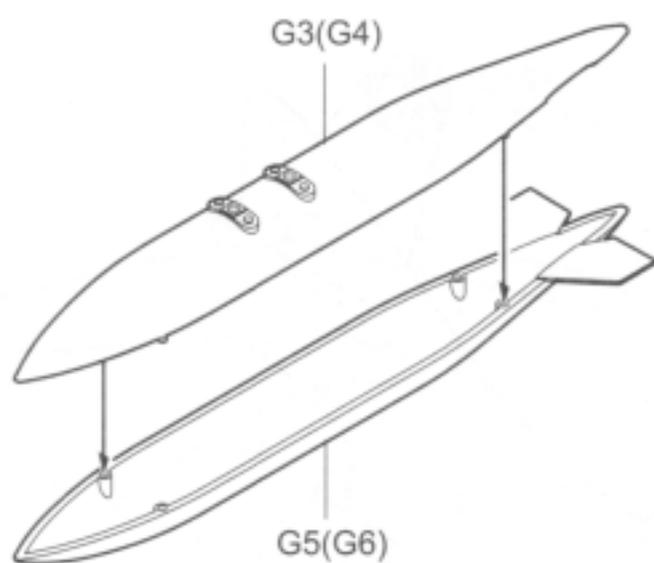
PE8





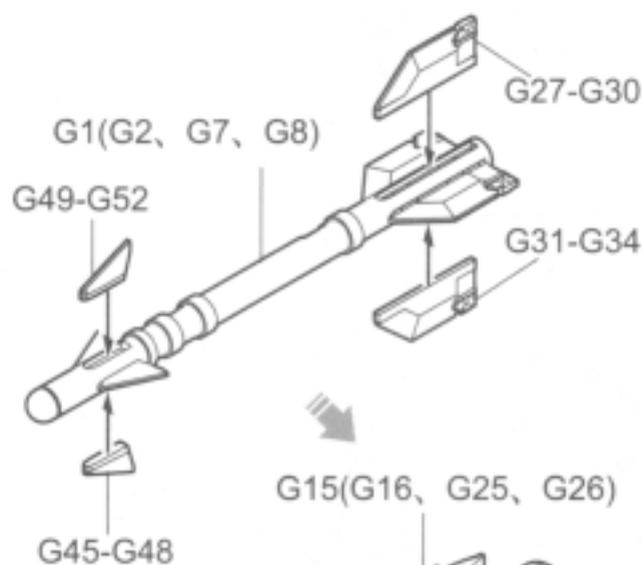
- ↔ 對側 G53 Opposite G54
- ↔ 對側 G13 Opposite G14
- ↔ 對側 G35 Opposite G36





《 Fuel tank 》

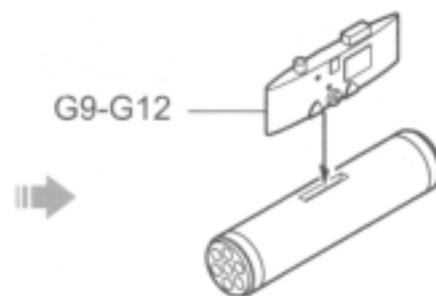
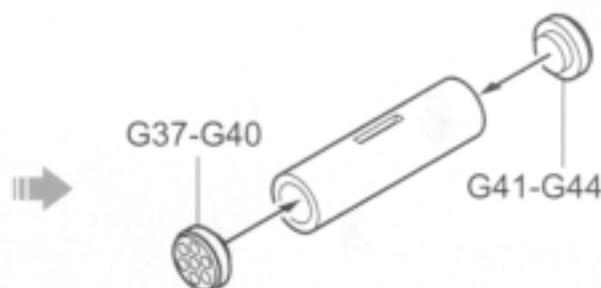
x2 制作兩組
Make Two



《 AIM-9B 》

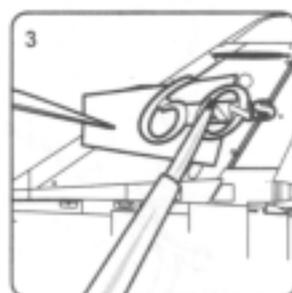
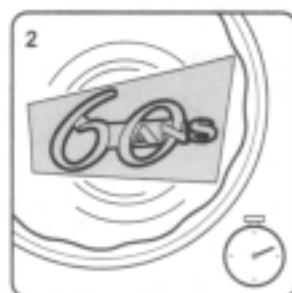
x4 制作四組
Make Four

《 2.75 in Rocket 》



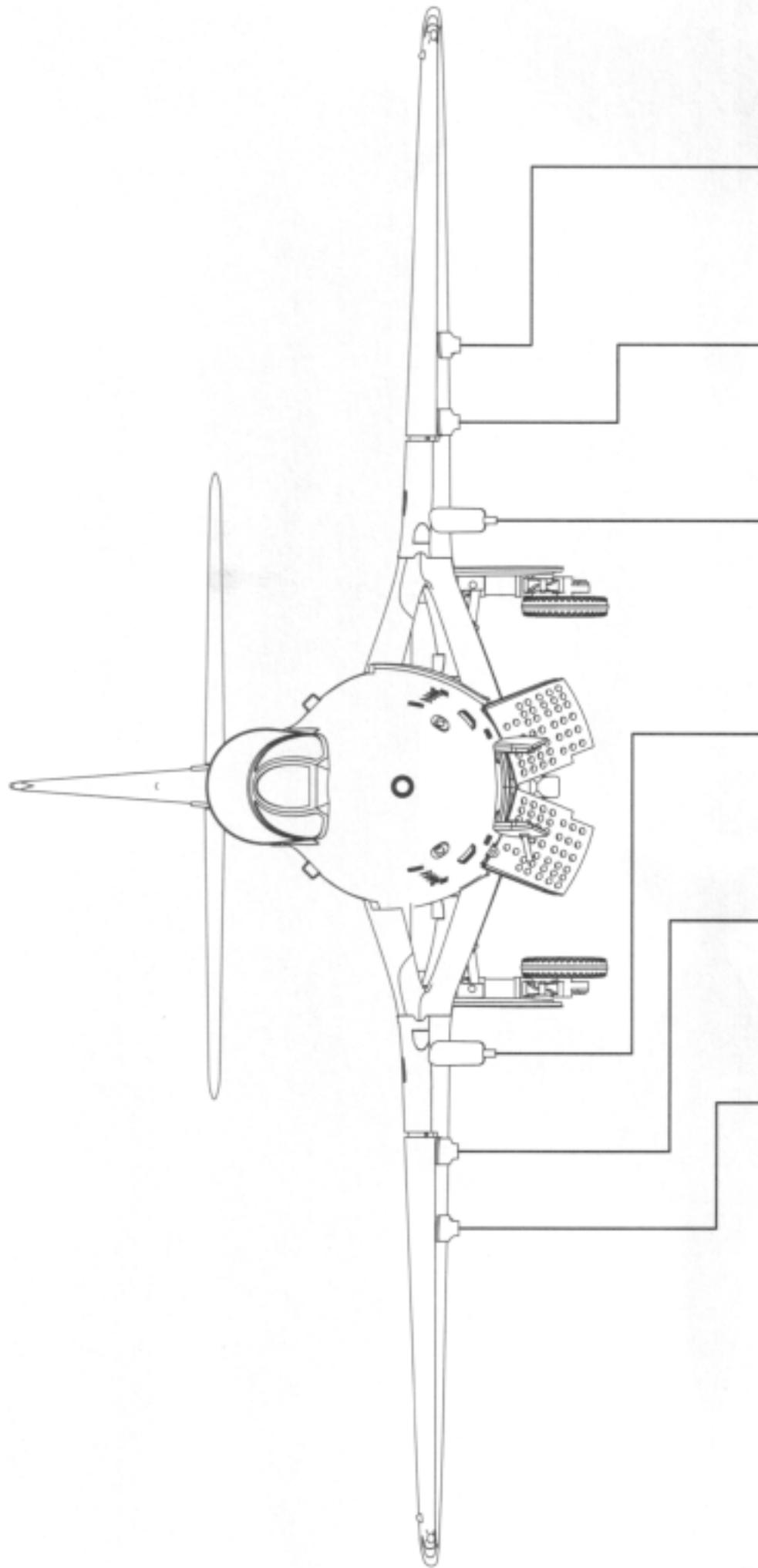
x4 制作四組
Make Four

DECAL APPLICATION



1. Cut off decal from transfer sheet.
2. Dip the decal in water for about 10 seconds (may take more seconds if in low temperature), and place on a clean cloth.
3. Hold the backing paper edge and slide decal onto the model. Then move decal into position by wetting decal with brush or finger.
4. Press decal gently down with a soft cloth until excess water and air bubbles are gone.



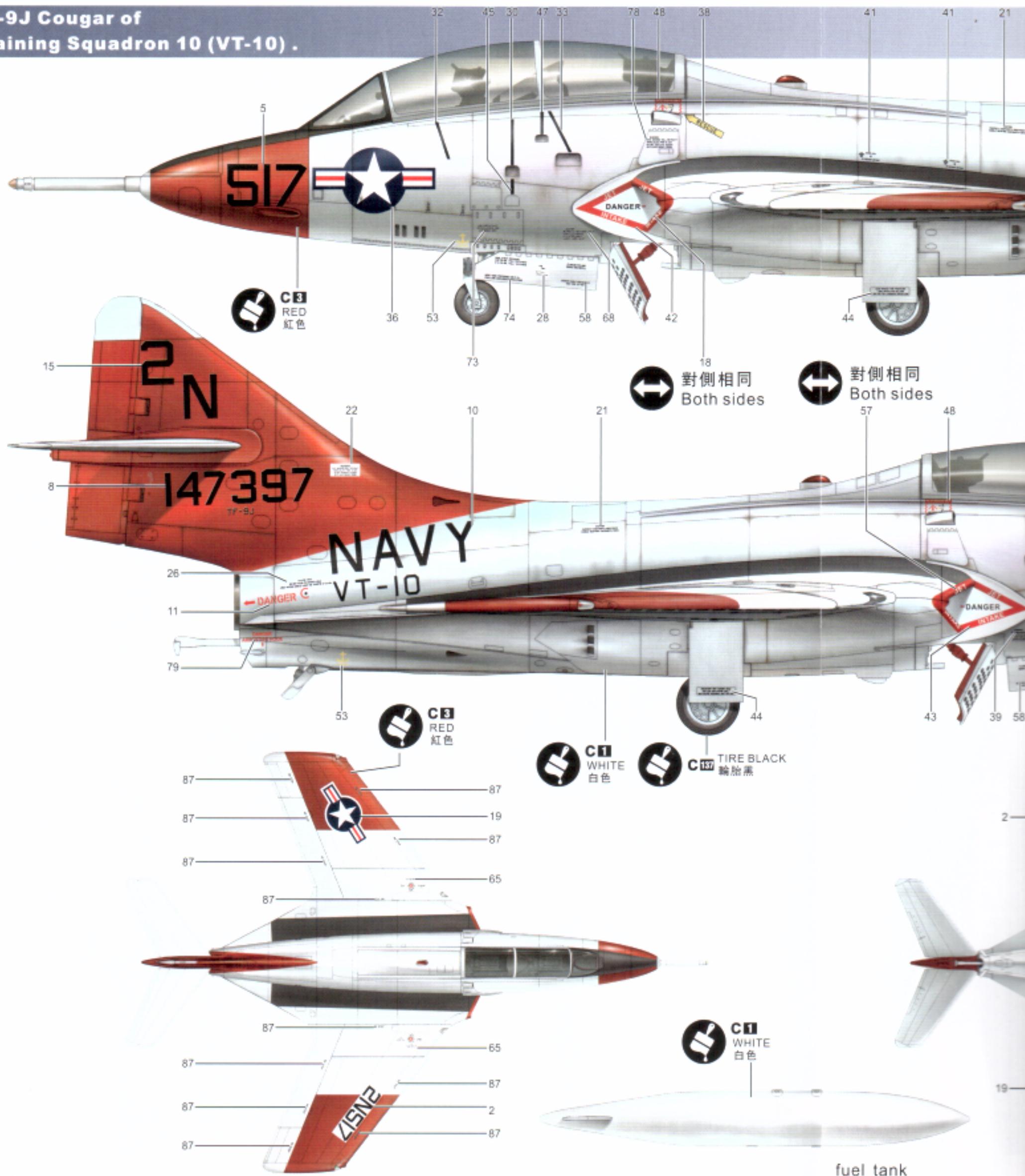


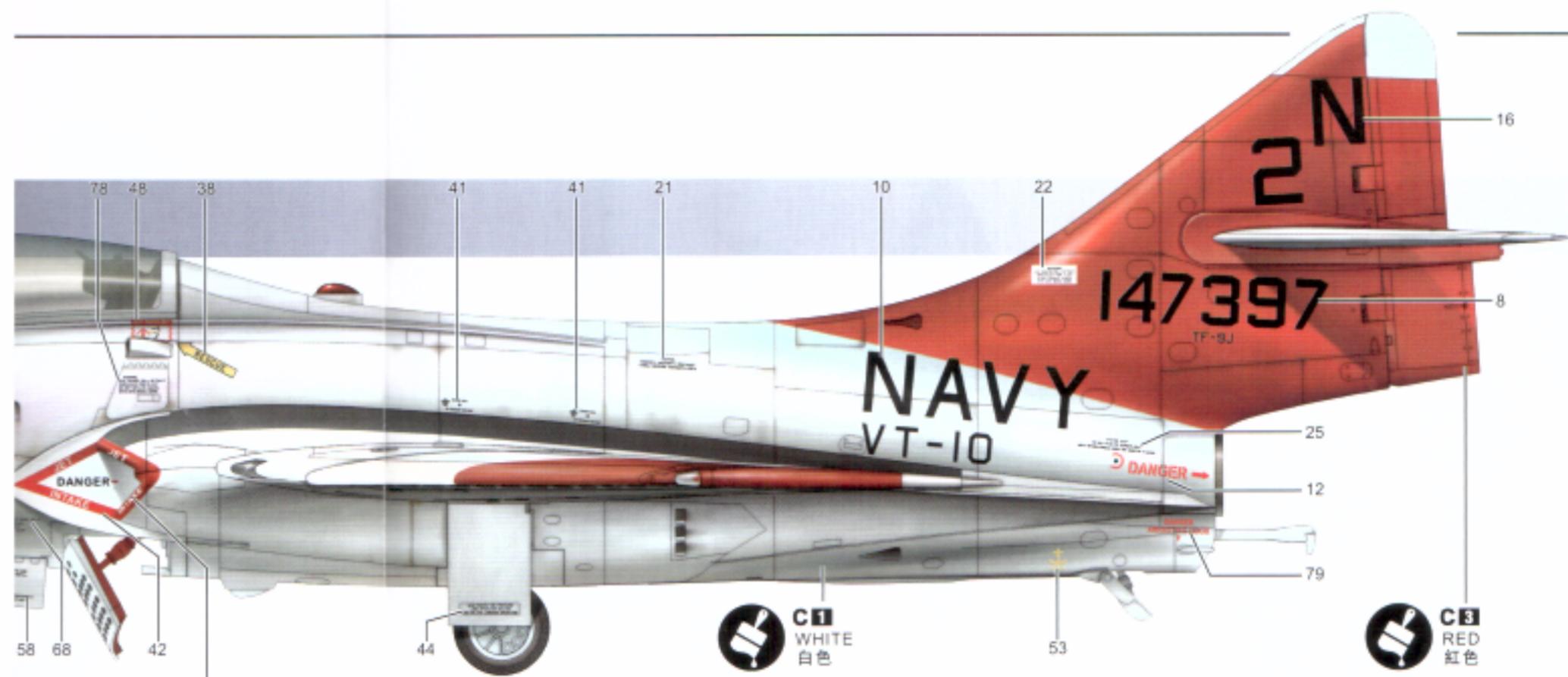
Sta.No. Missile/Tank	1	2	3	4	5	6
« Fuel tank »			●	●		
« AIM-9B »	●	●			●	●
« 2.75 in Rocket »	●	●			●	●

Painting & marking Guide

塗裝與水貼

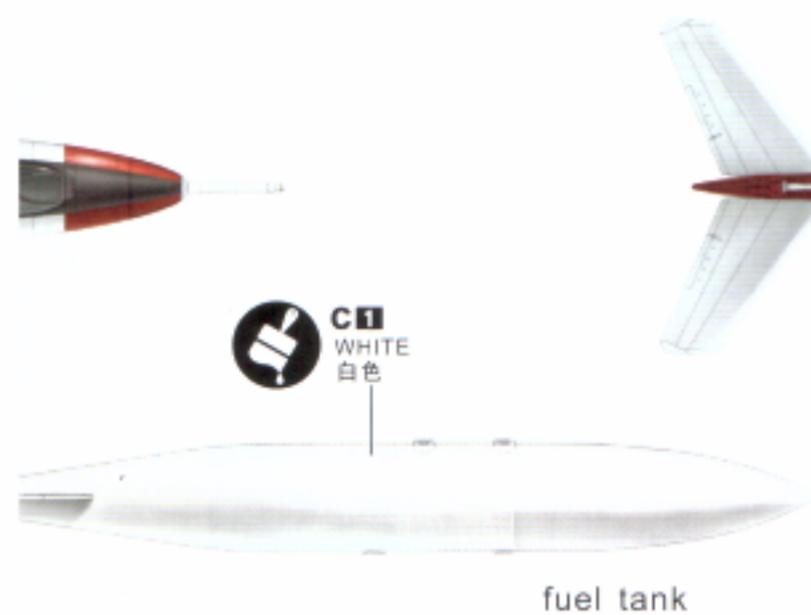
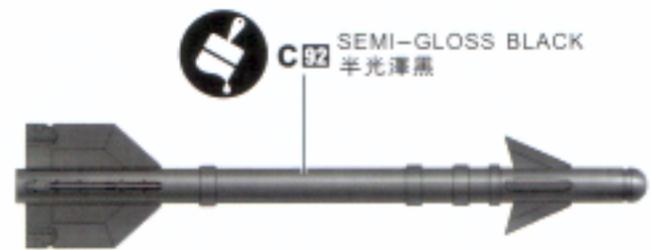
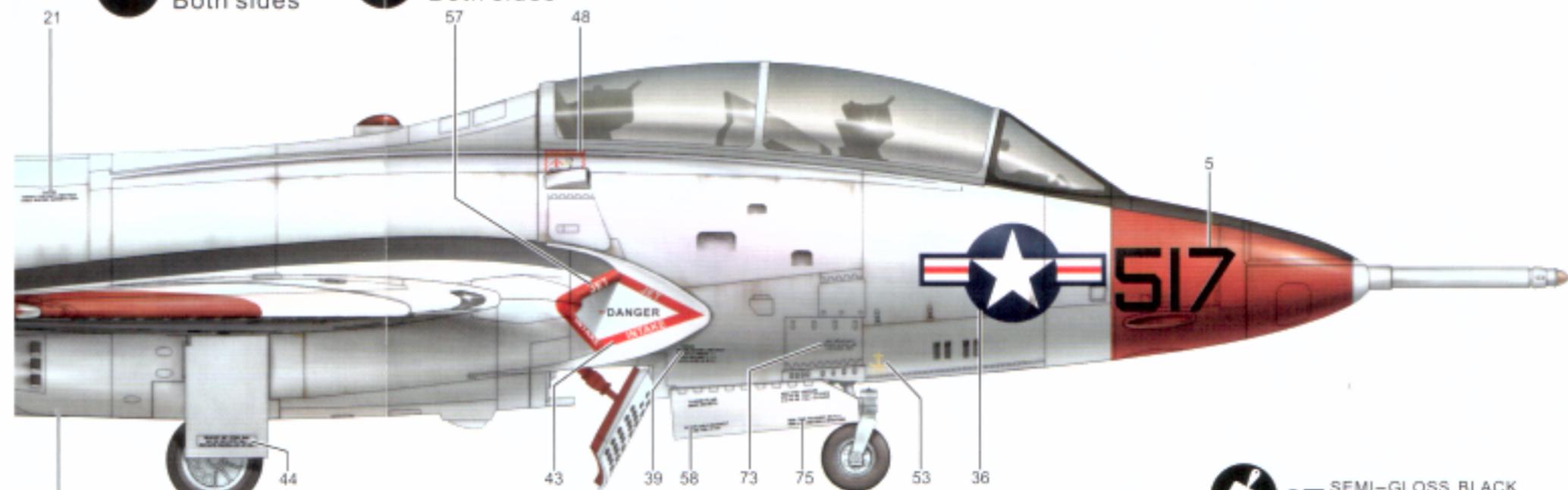
B. TF-9J Cougar of Training Squadron 10 (VT-10).





↔ 對側相同
Both sides

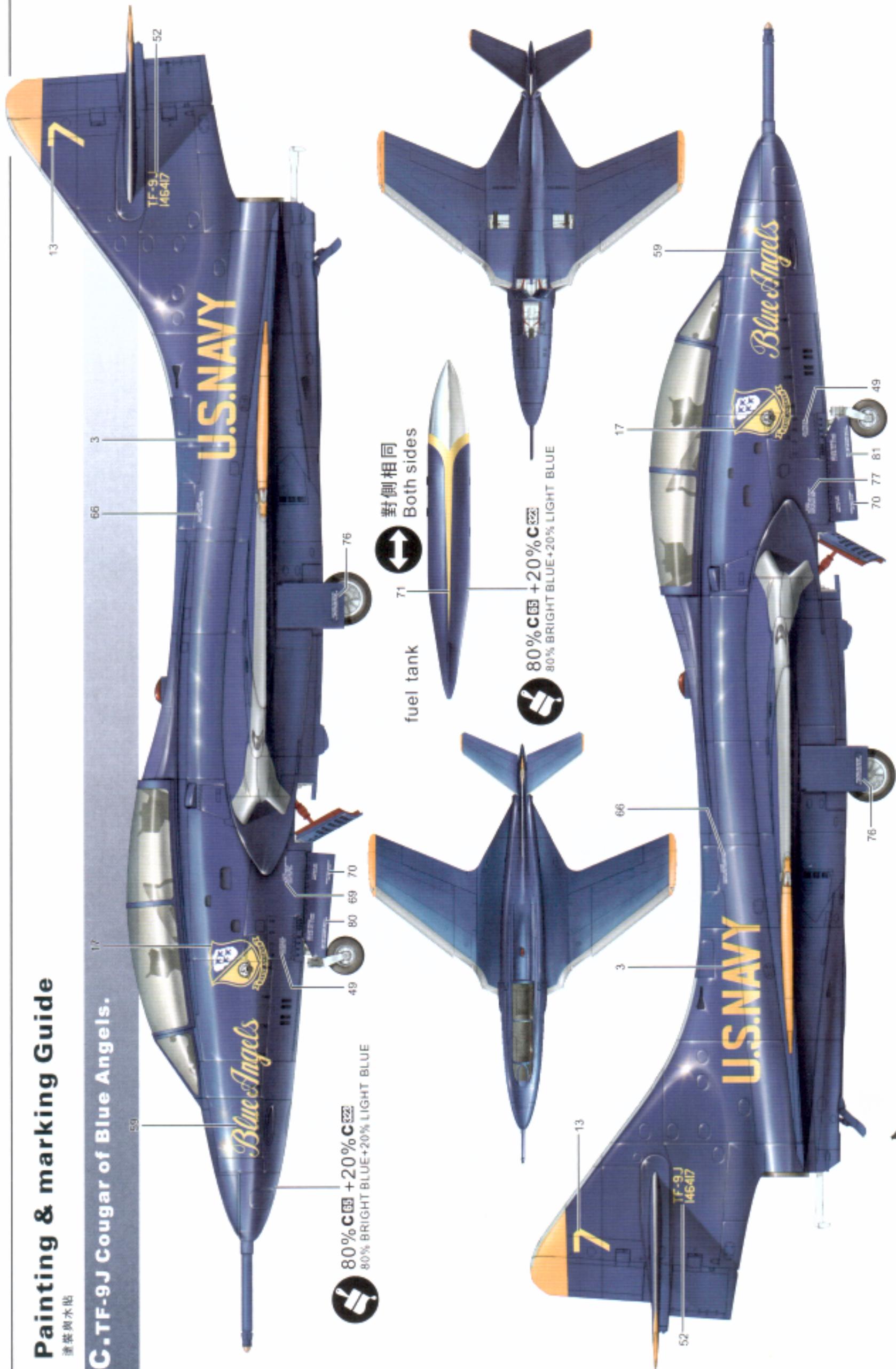
↔ 對側相同
Both sides



Painting & marking Guide

塗裝與水貼

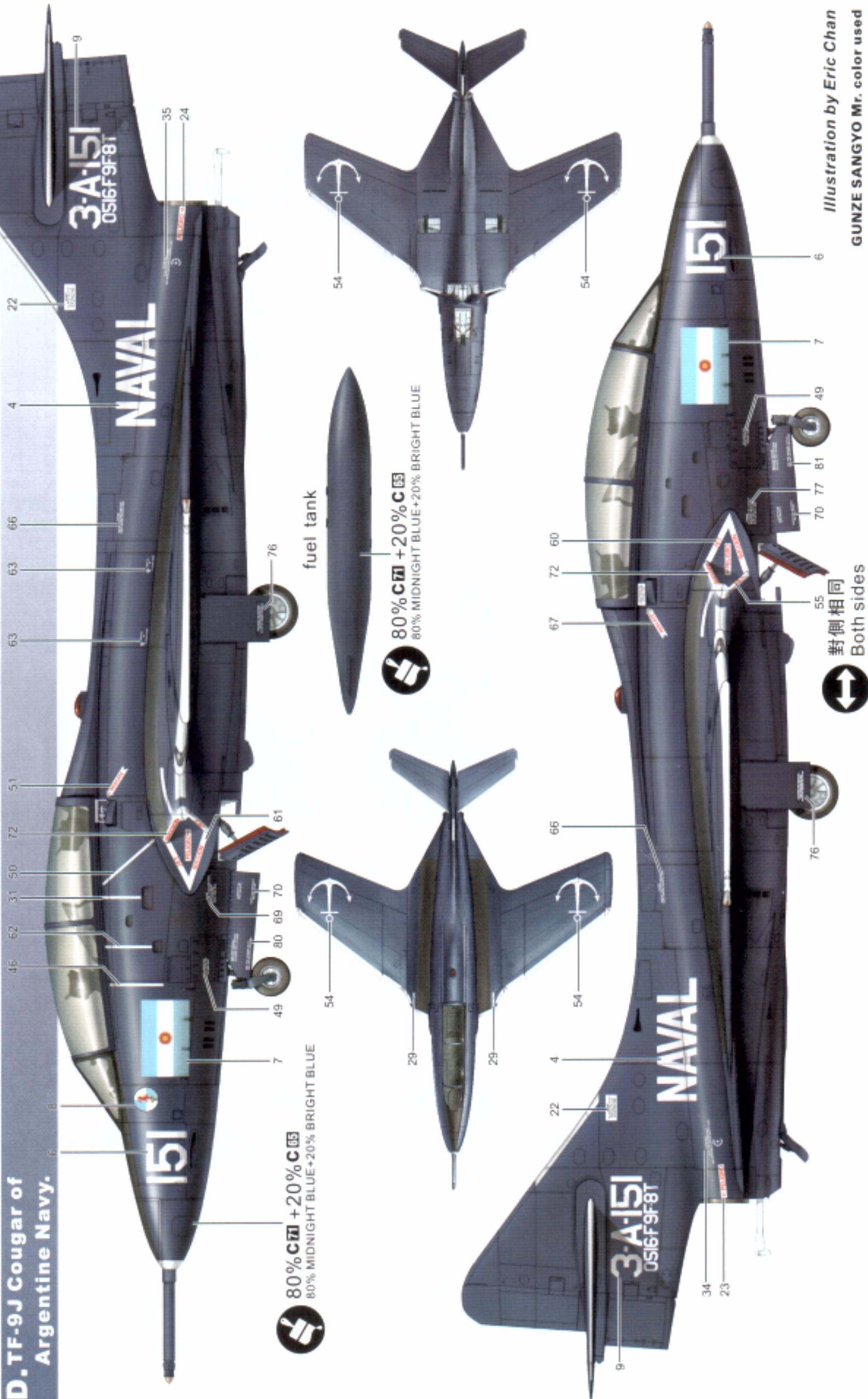
C.TF-9J Cougar of Blue Angels.



Painting & marking Guide

塗裝與水貼

D. TF-9J Cougar of Argentine Navy.



 **80% C71 + 20% C65**
80% MIDNIGHT BLUE + 20% BRIGHT BLUE

 **80% C71 + 20% C65**
80% MIDNIGHT BLUE + 20% BRIGHT BLUE

fuel tank

 對側相同
Both sides

Illustration by Eric Chan
GUNZE SANGYO Mr. color used