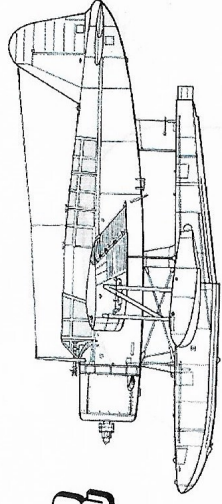


Instruction Sheet for the

VOUGHT OS2U KINGFISHER

Update Set for use with the Monogram 1:48 scale kit

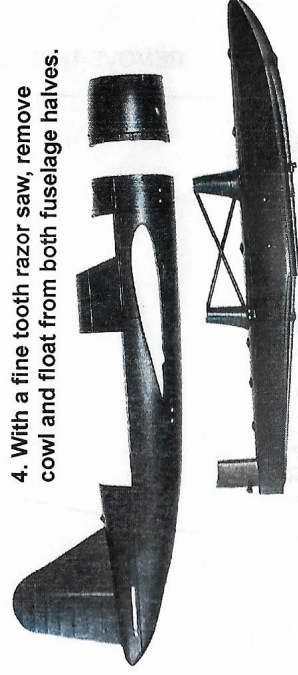


To facilitate easiest installation possible, please read and understand all directions before assembly.

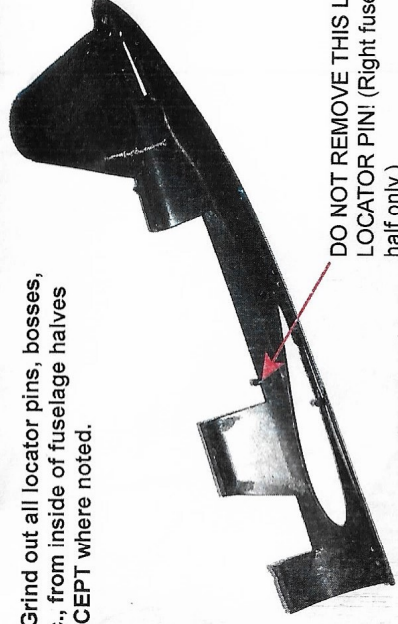
1. With a sharp nipper tool, carefully remove all parts from their supports (these supports are necessary for the 3D printing process). Work SLOWLY and CAREFULLY. Always wear eye protection, as small support clippings may fly off. 3D printed resin parts can be glued with cyanoacrylate glue or epoxy glue.
2. All parts should be primed prior to painting. Acrylic primer is recommended.
3. If any print resolution lines are present on parts with large, smooth surfaces (such as cowls, etc.), part may be lightly wet sanded with 600 grit wet-or-dry sandpaper.

Prepare Monogram Kit Parts:

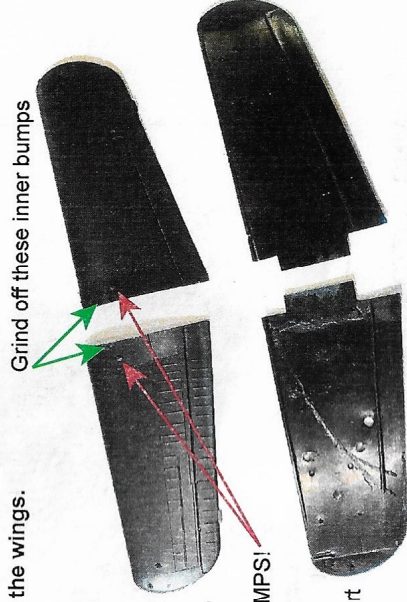
4. With a fine tooth razor saw, remove cowl and float from both fuselage halves.



5. Grind out all locator pins, bosses, etc., from inside of fuselage halves EXCEPT where noted.



6. Prepare the wings.



Cut and notch lower wing part (see layout next page).

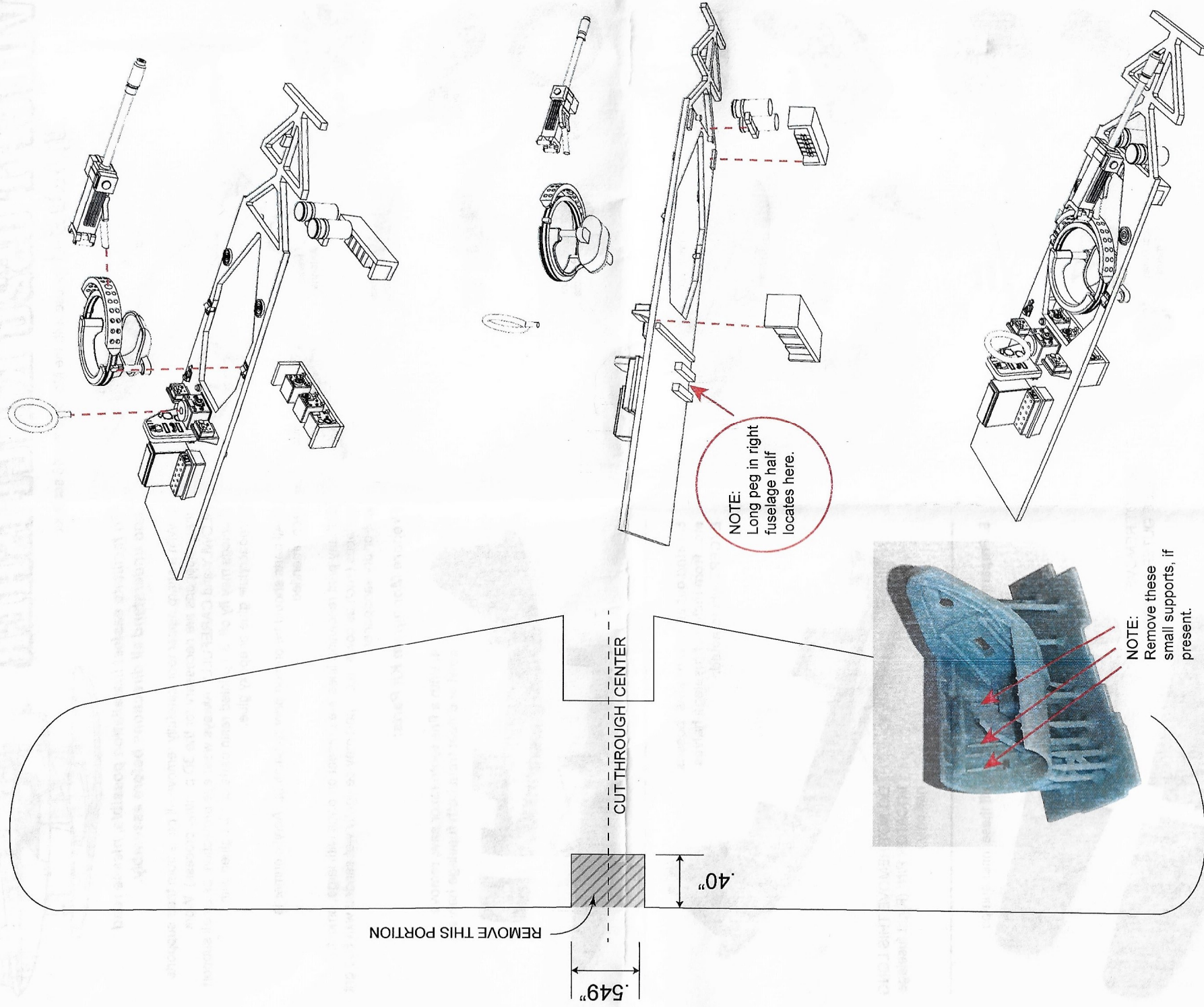
Wing Inserts

FLIGHTLINE



ENGINEERING

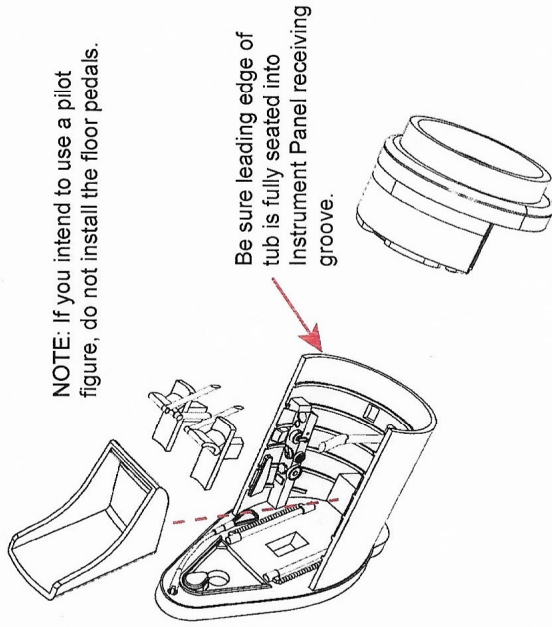
7. Observer's Station Assembly



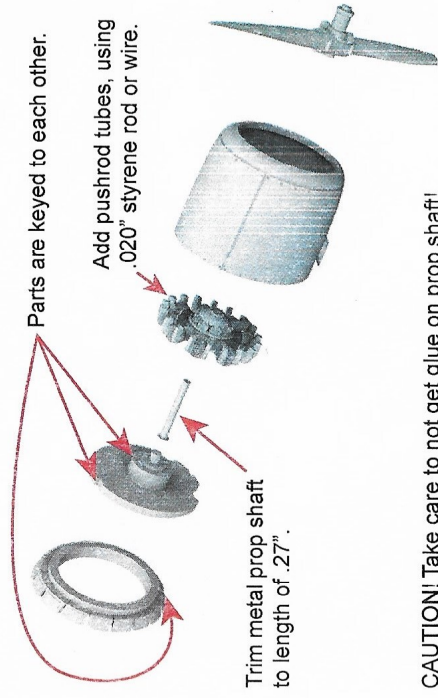
WING BOTTOM (Part 9)

ACTUAL SIZE

8. Cockpit Assembly



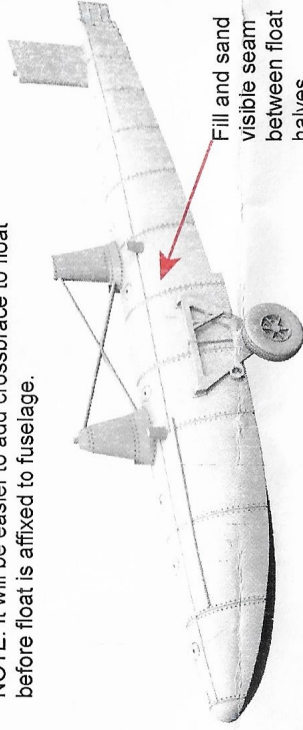
9. Cowl Assembly



CAUTION! Take care to not get glue on prop shaft!

10. Float Assembly

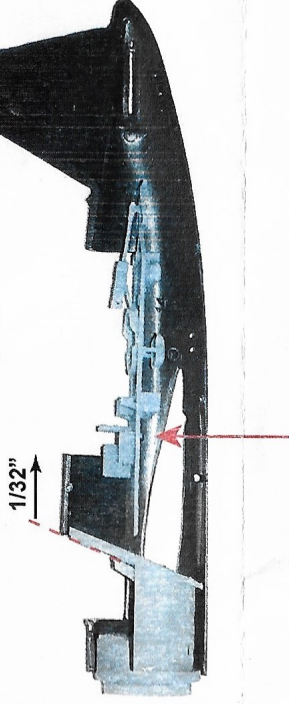
NOTE: It will be easier to add crossbrace to float before float is affixed to fuselage.



Use tail wheel from Monogram kit (part#31).

11. Cockpit Installation

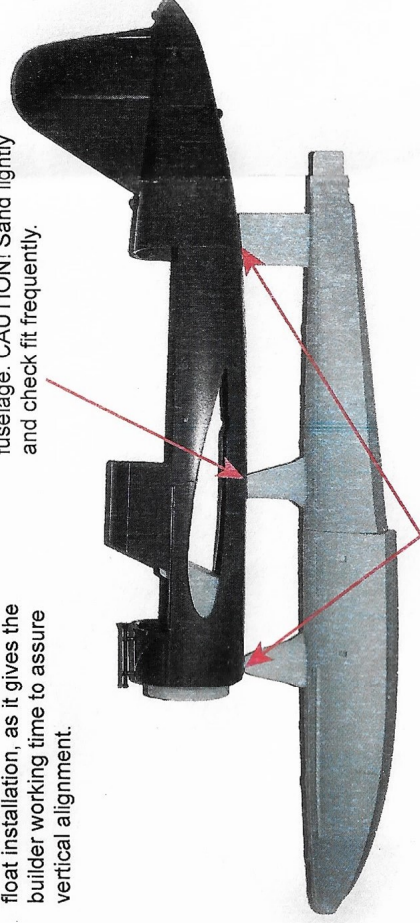
Set cockpit assembly back 1/32" from leading edge.



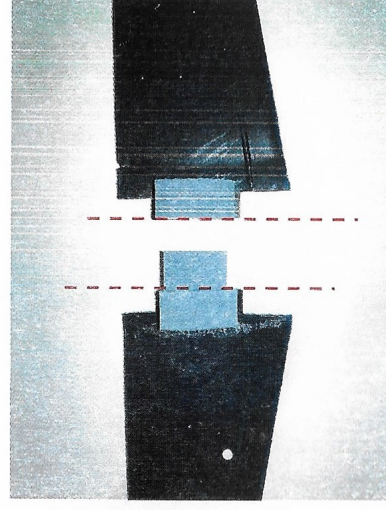
See note on Page 2 regarding location of Observer's Station.

12. Float Installation

5 minute epoxy is recommended for float installation, as it gives the builder working time to assure vertical alignment.



13. Wing Insert Installation



Line up inserts with wing edges.

