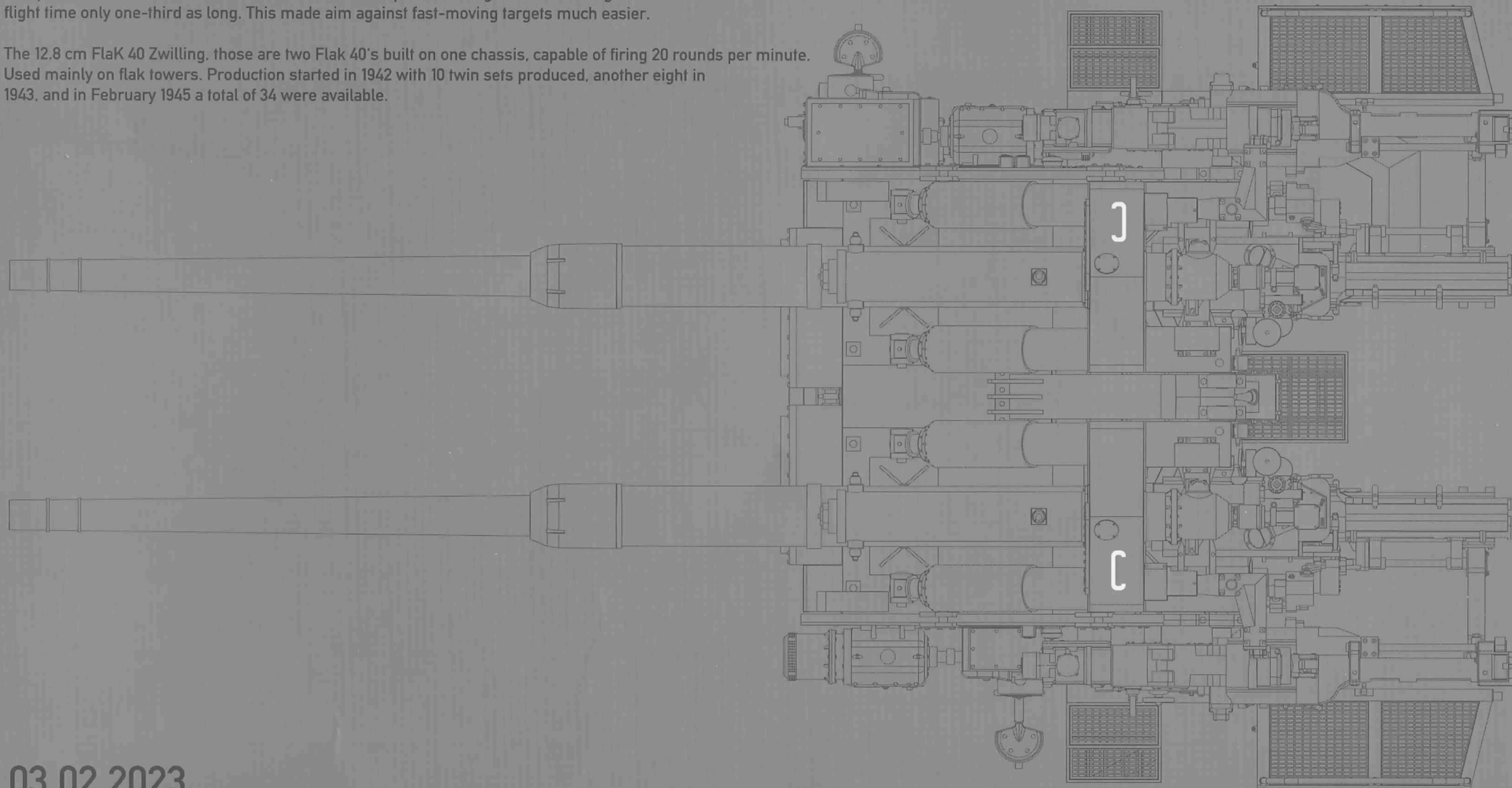


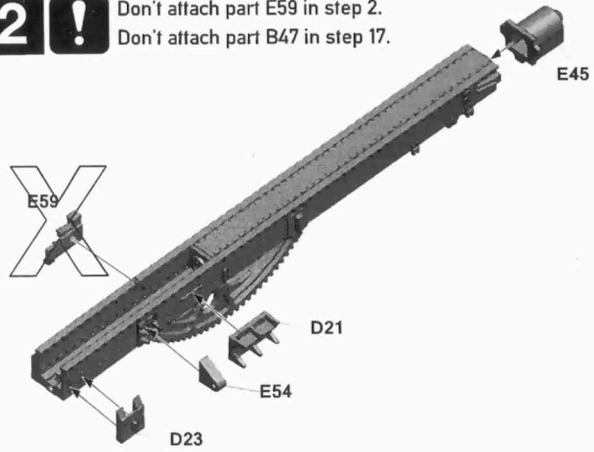
12.8 CM FLAK 40 ZWILLING

The 12.8 cm Flak 40 was without any doubt the most powerful Anti-Air gun of WWII and this variant, the 12.8 cm Flak Zwilling 40, makes this gun a notorious bomber killer! They were mounts on the fortified antiaircraft Zoo Tower, and they were also on other flak towers protecting Berlin, Hamburg, and Vienna. The gun fired a 27.9 kg (57.2-pound) shell at 880 m/s (2,890 ft/s) to a maximum ceiling of 14,800 m (48,556 ft). Compared with the 88mm FlaK 18 & 36, the 128 used a powder charge four times as great which resulted in a shell flight time only one-third as long. This made aim against fast-moving targets much easier.

The 12.8 cm FlaK 40 Zwilling, those are two Flak 40's built on one chassis, capable of firing 20 rounds per minute. Used mainly on flak towers. Production started in 1942 with 10 twin sets produced, another eight in 1943, and in February 1945 a total of 34 were available.



2 **!** Don't attach part E59 in step 2.
Don't attach part B47 in step 17.



3 **!** Attaching E59 after gun barrel settled.
Remember do the same action in step18:
Attaching B47 after gun barrel settled.








03.02.2023

READ BEFORE ASSEMBLY

CAUTION

- Read carefully and fully understand the instructions before commencing assembly. A supervising adult should also read the instructions if a child assembles the model.
- When assembling this kit, tools including knives used. Extra care should be taken to avoid personal injury.
- Keep out of reach of small children. Children must not be allowed to suck any part, or pull vinyl bag over their heads.

 Optional  Attention  Remove

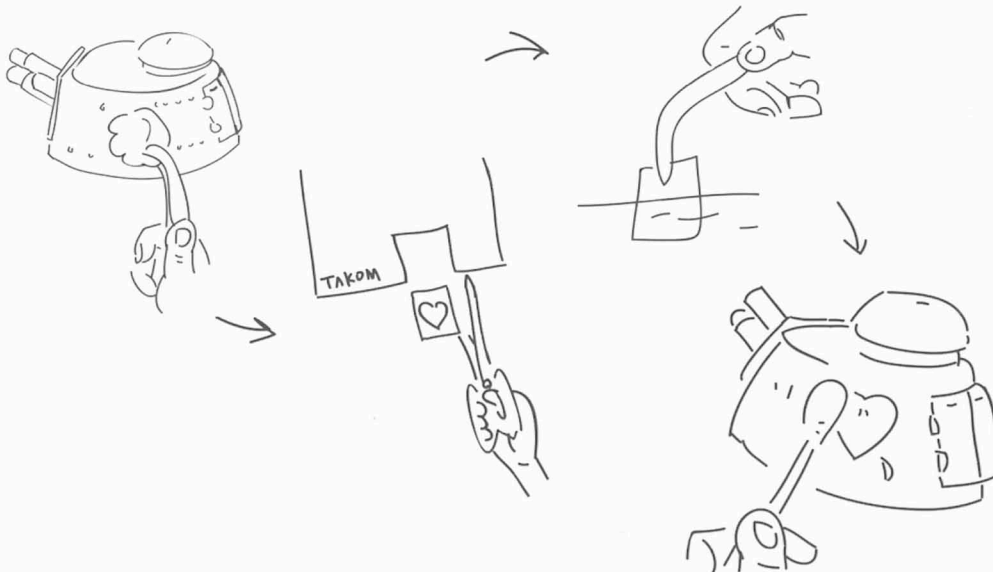
 Do Not Cement  Instant Glue for Metal

PAINTS REQUIRED

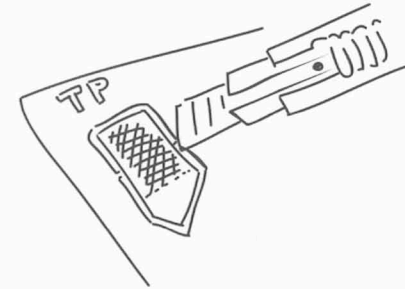
- Color info and profiles by AMMO MIG.

APPLYING DECALS

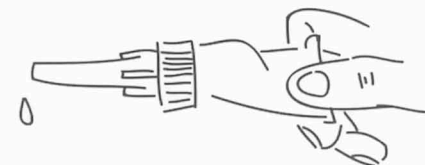
1. Clean the model surface with a wet cloth.
2. Cut out each decal design from sheet, and dip it in tepid water for 15~20 sec.
3. Hold the backing sheet edge and slide decal onto the model.
4. Move decal into position by wetting decal with finger.
5. Press decal gently down with a soft cloth until excess water and air bubbles are gone.



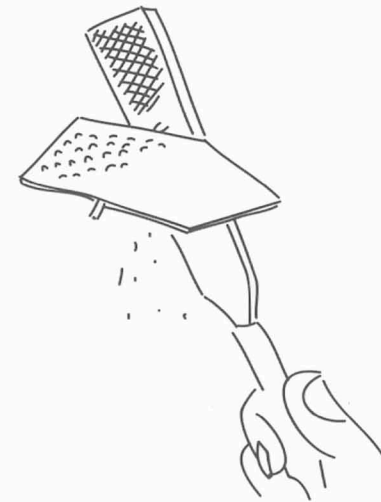
REMOVING PE



Be careful not to hurt when removing PE parts.

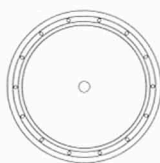
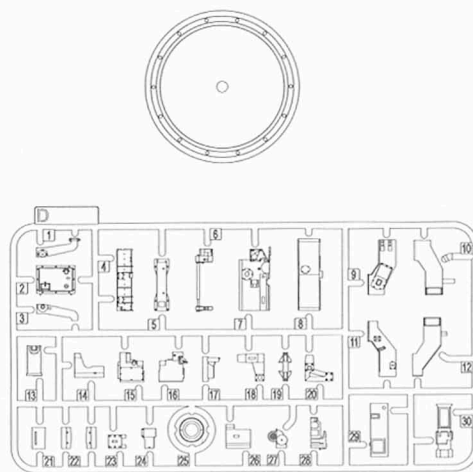
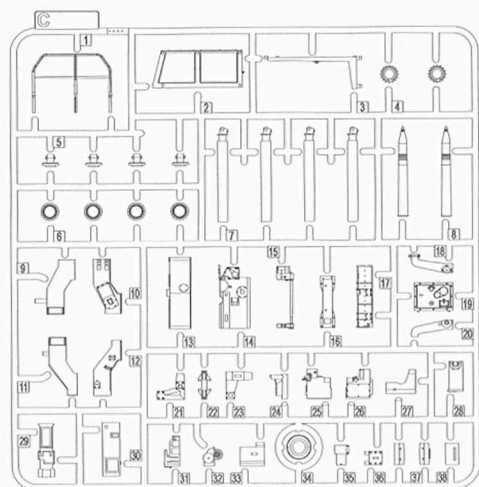
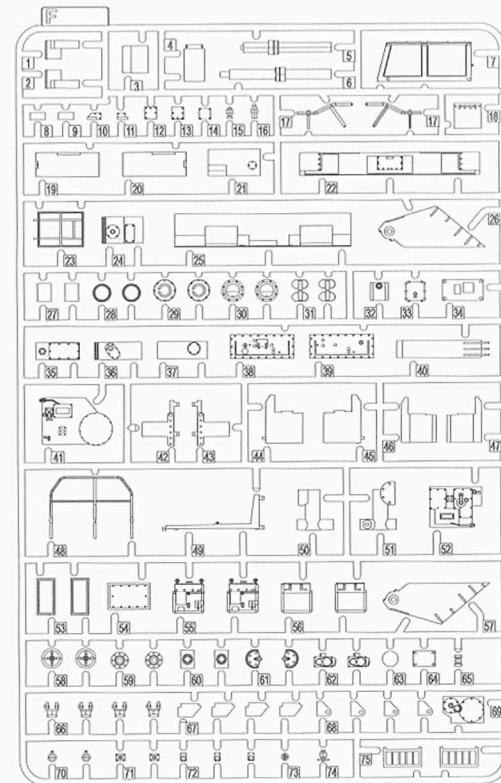
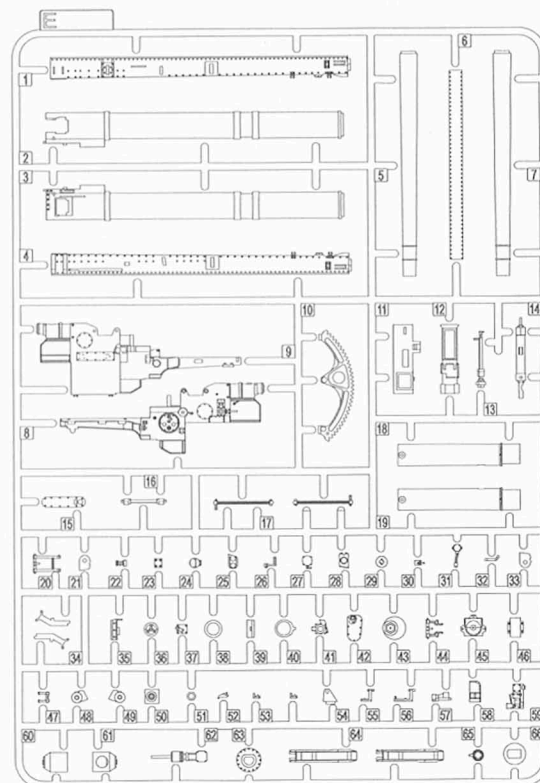
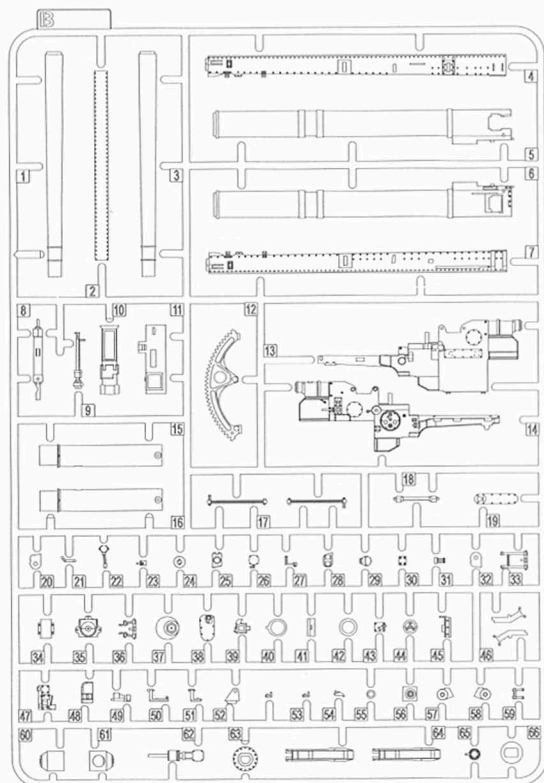
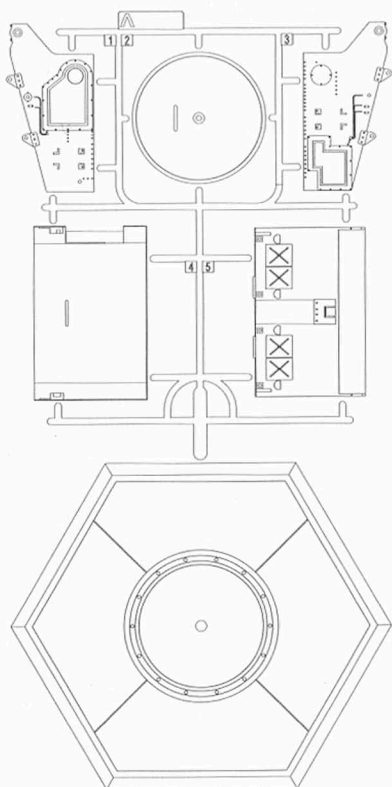


Secure using instant glue (not included).

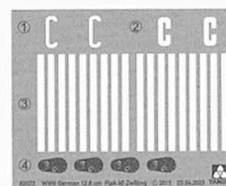


Finish using file.

PARTS



◎
Poly cap
x2

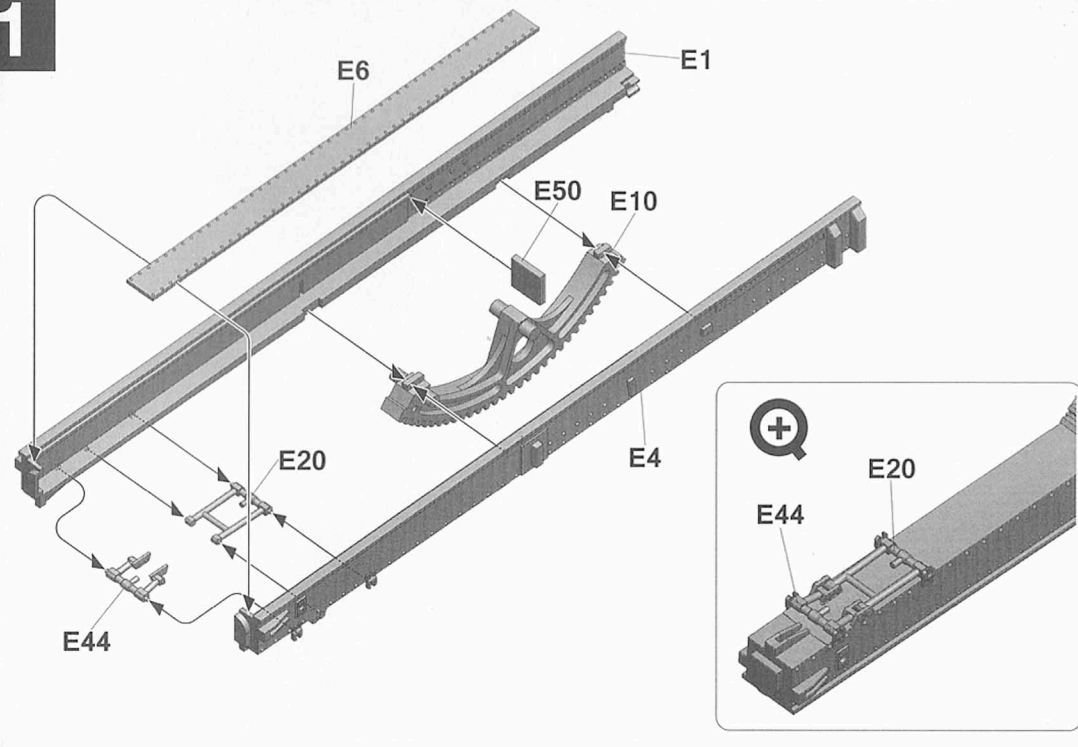


Decal

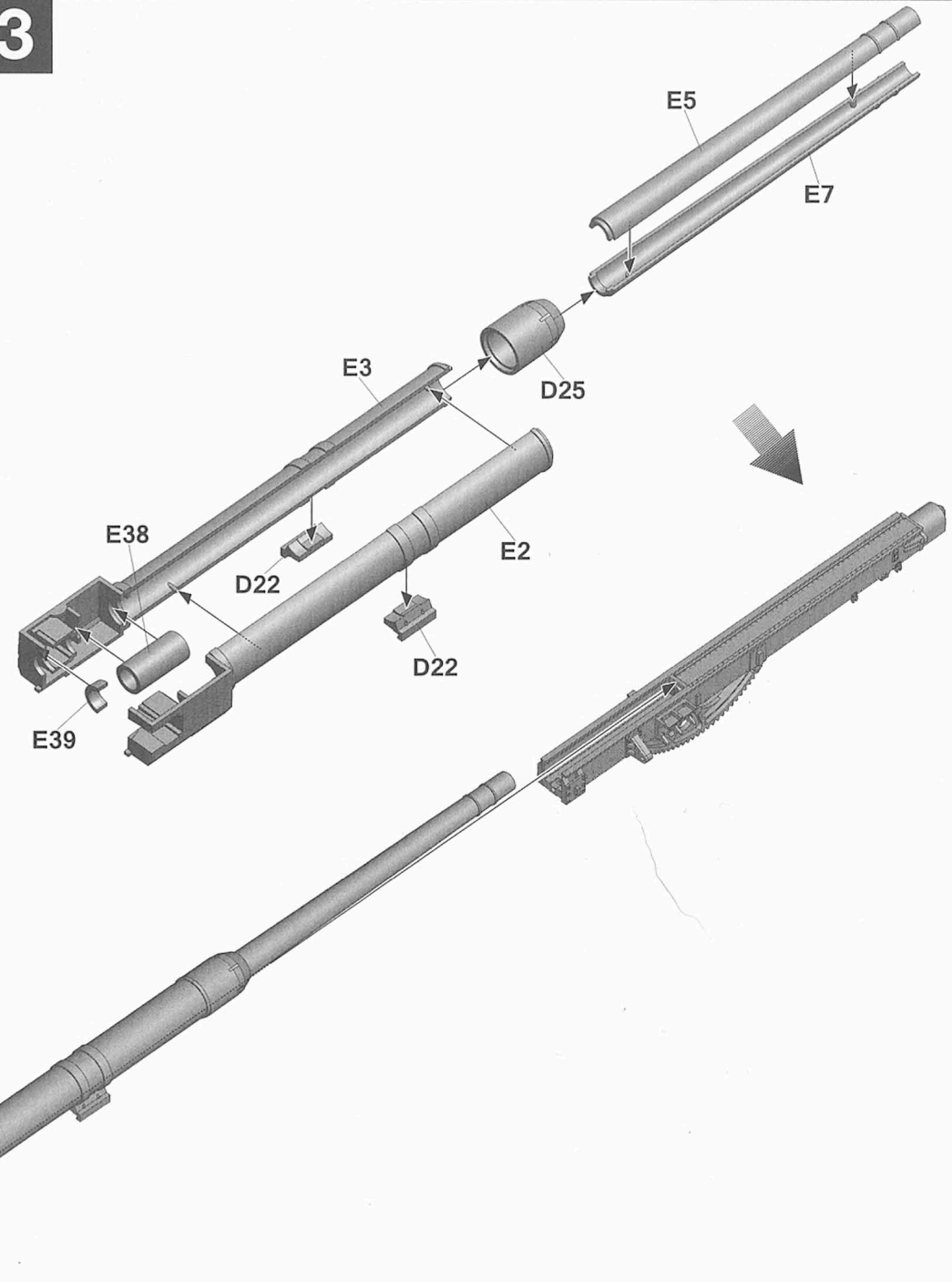


PE

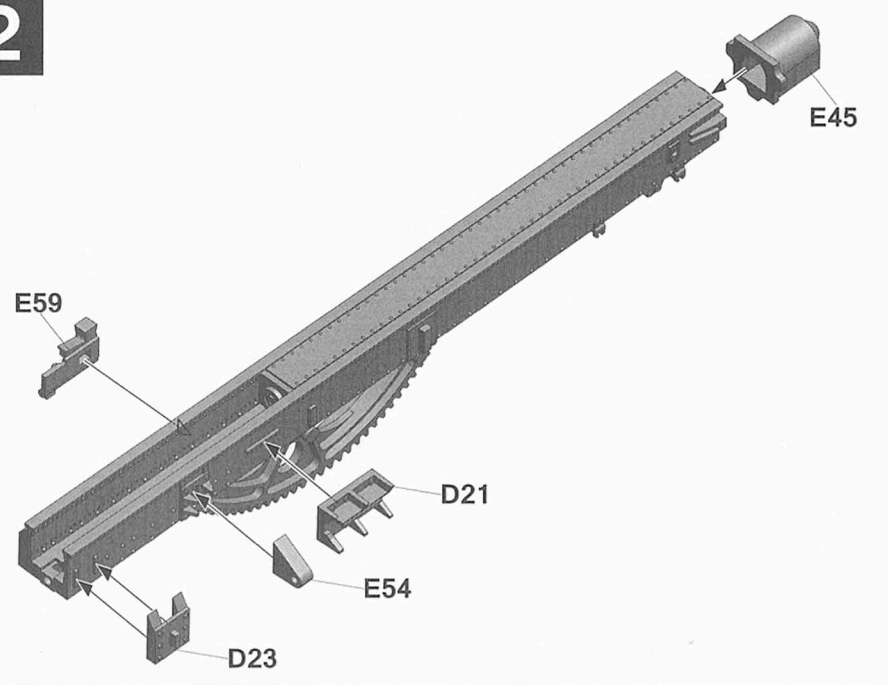
1



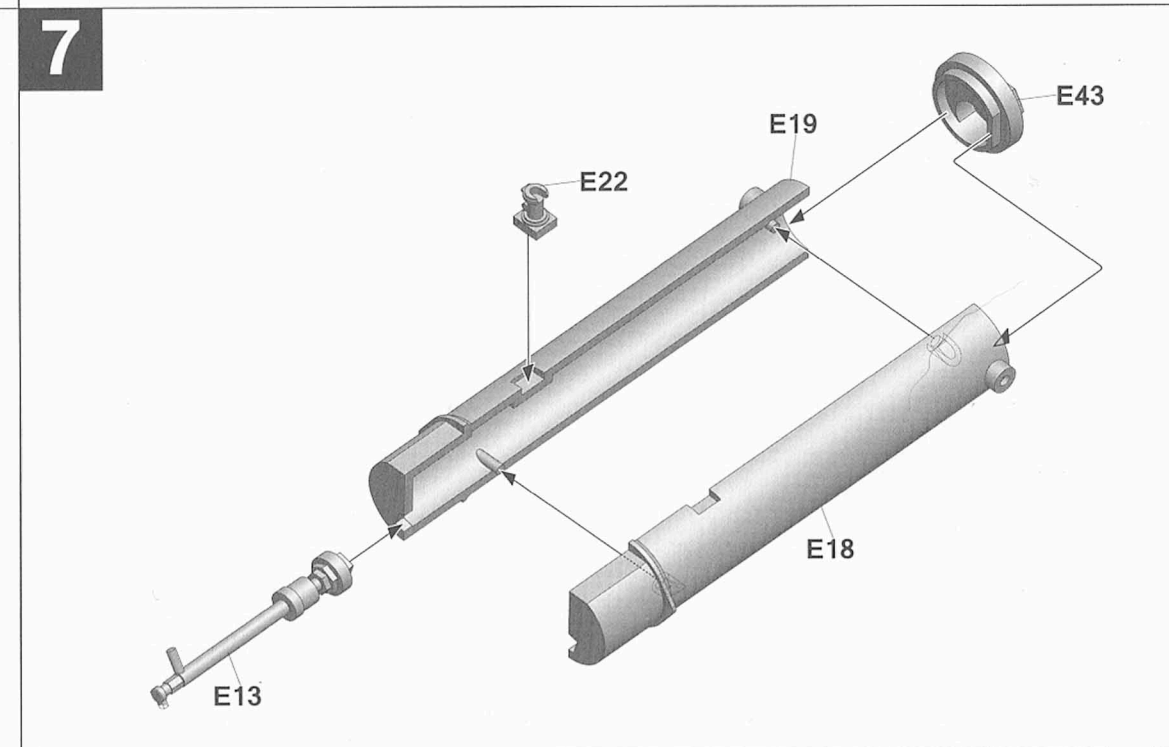
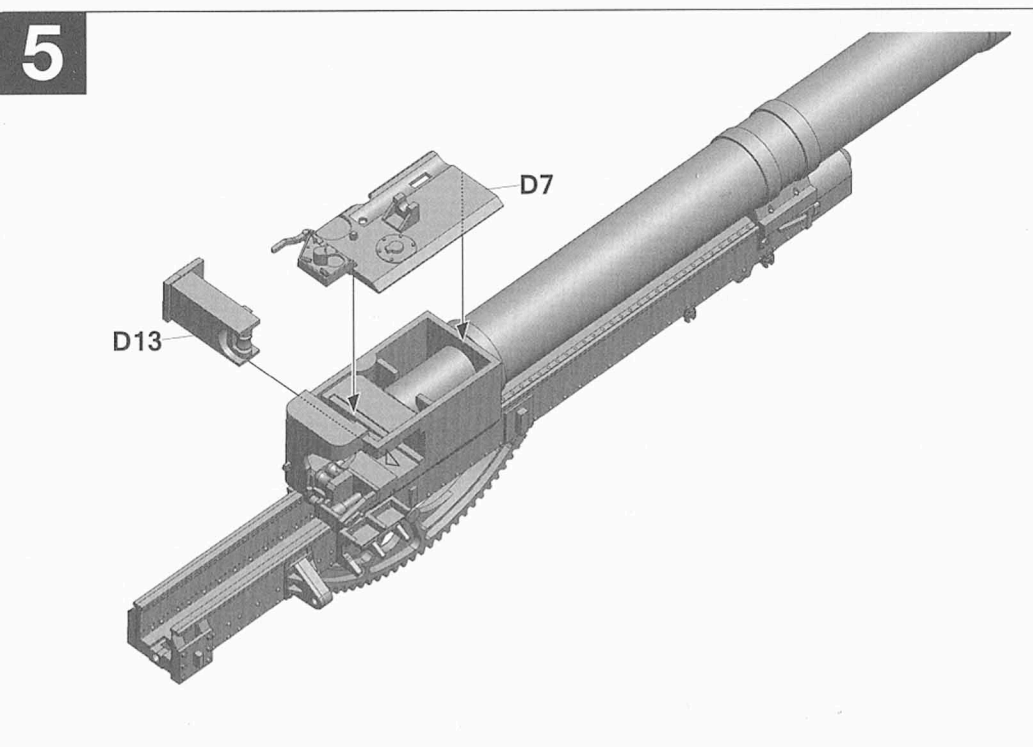
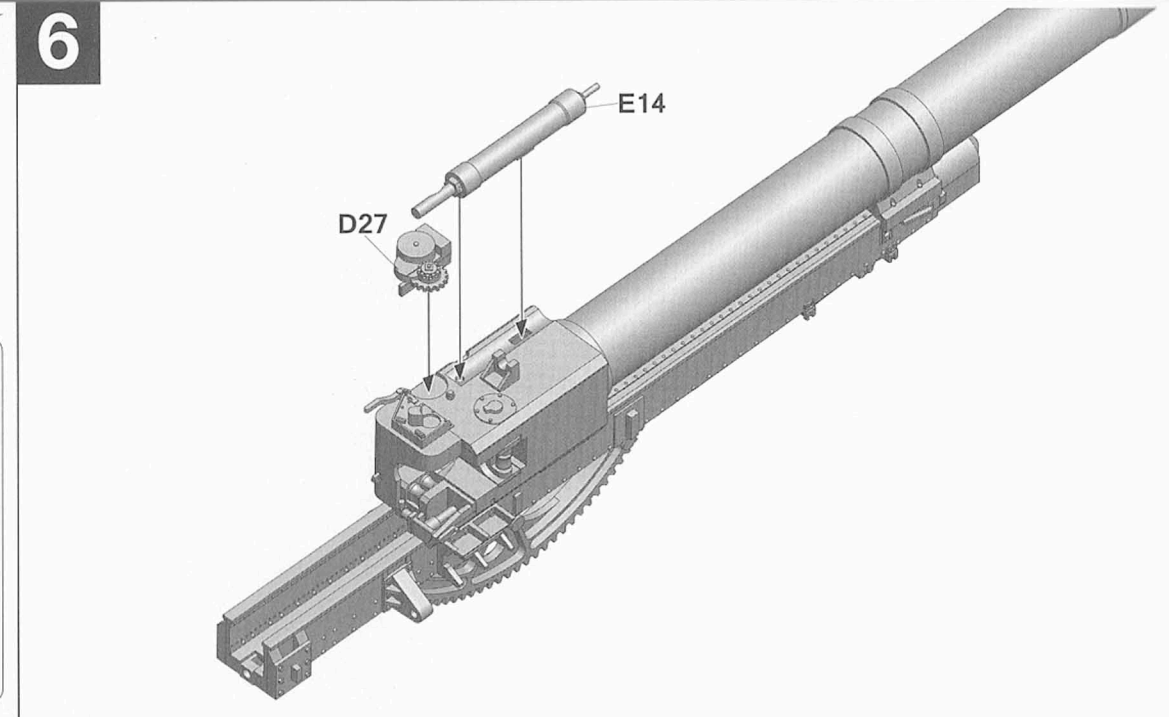
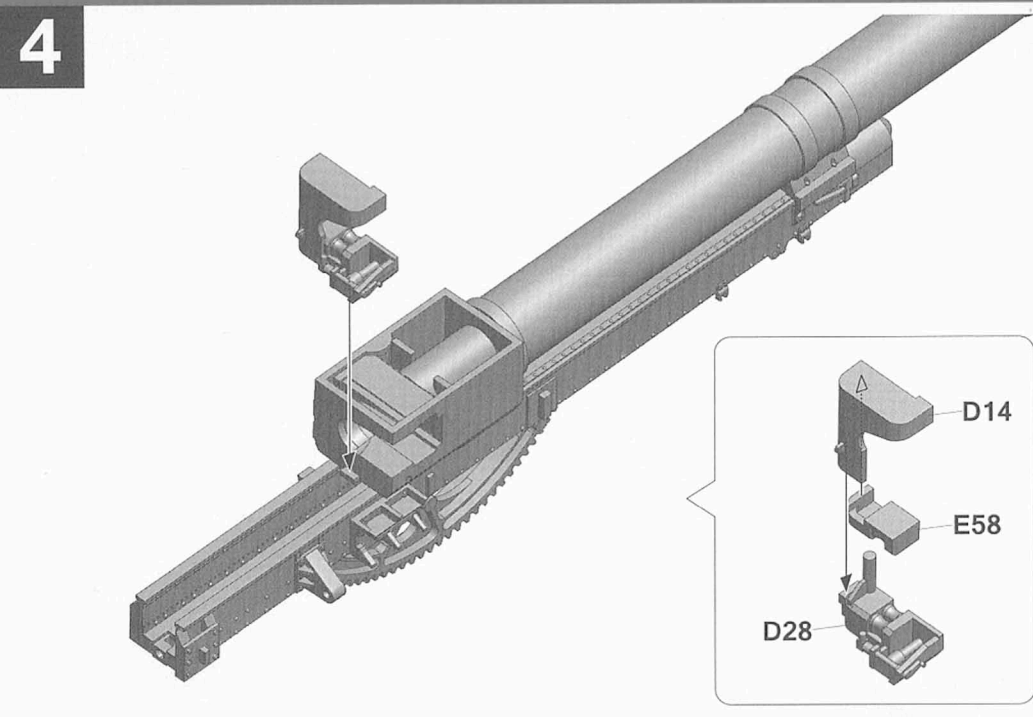
3



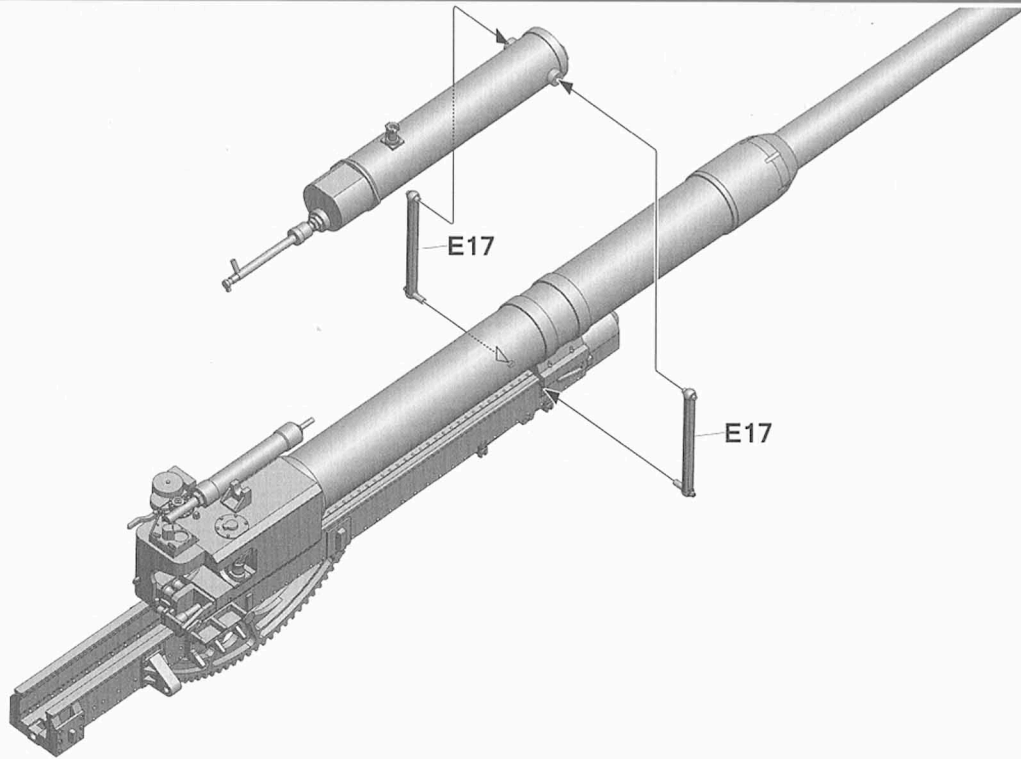
2



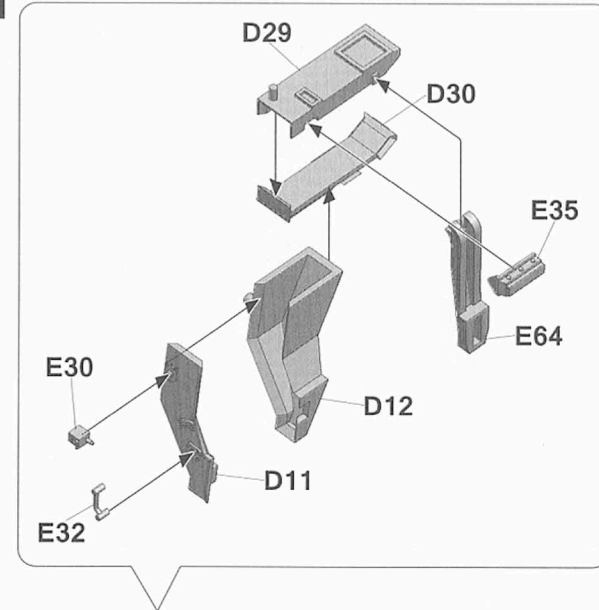
3



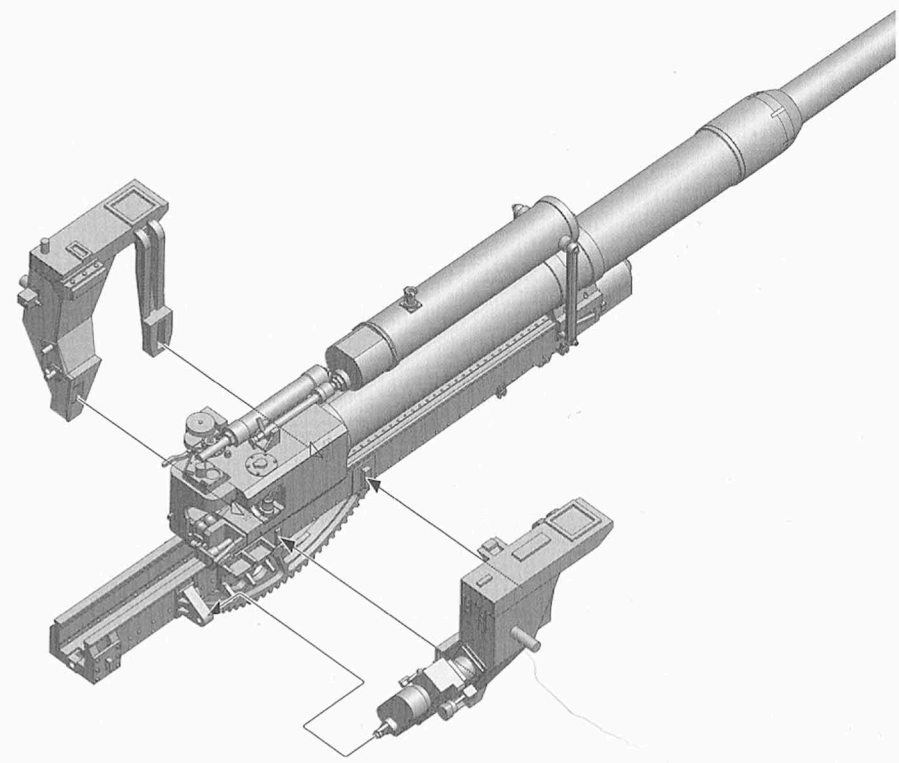
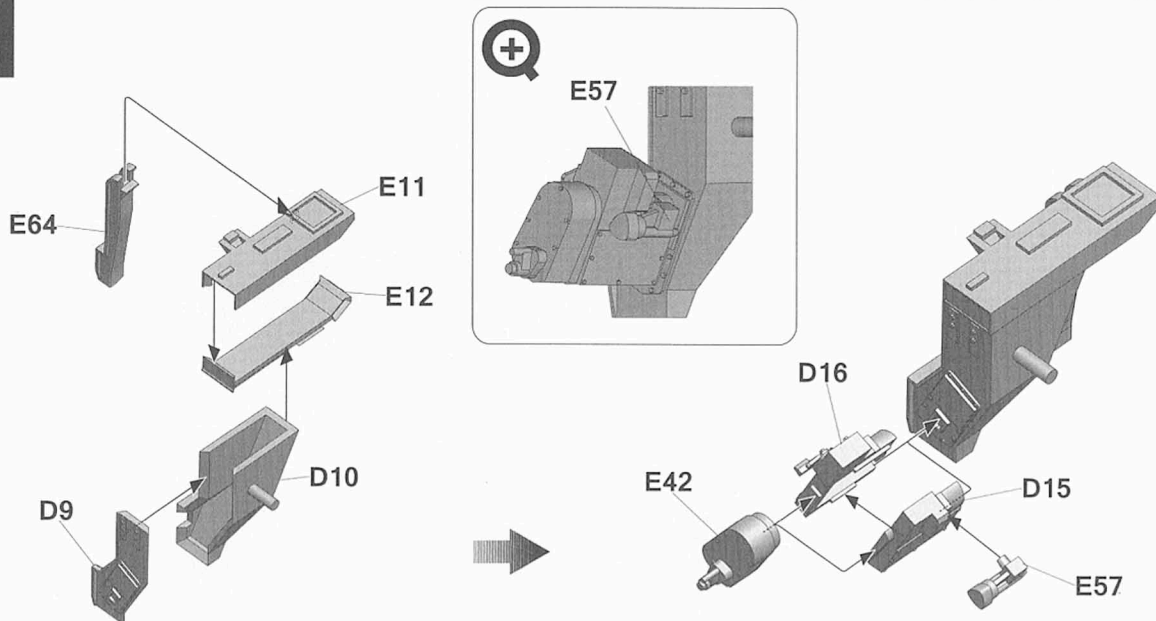
8



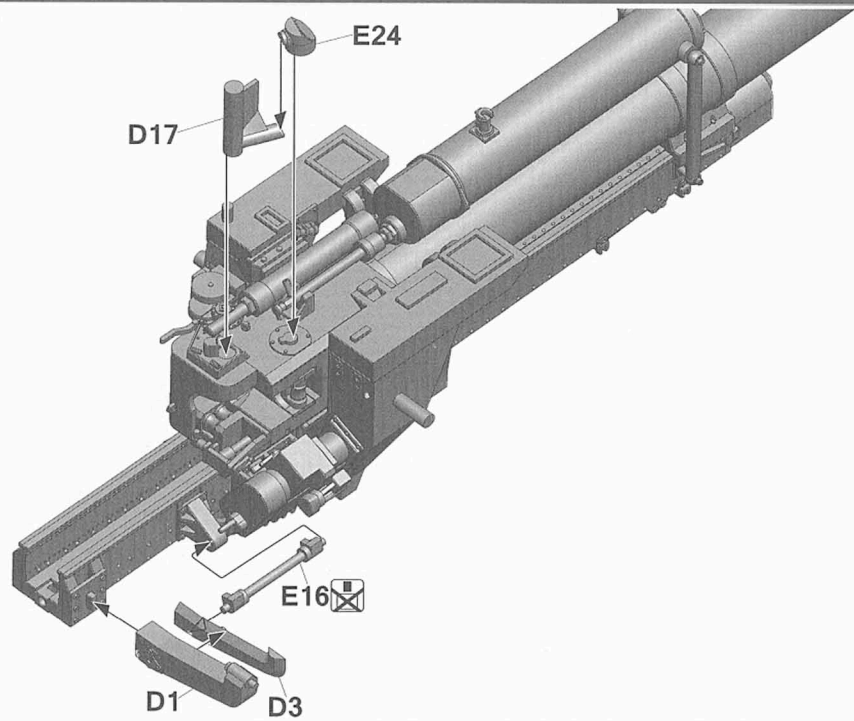
10



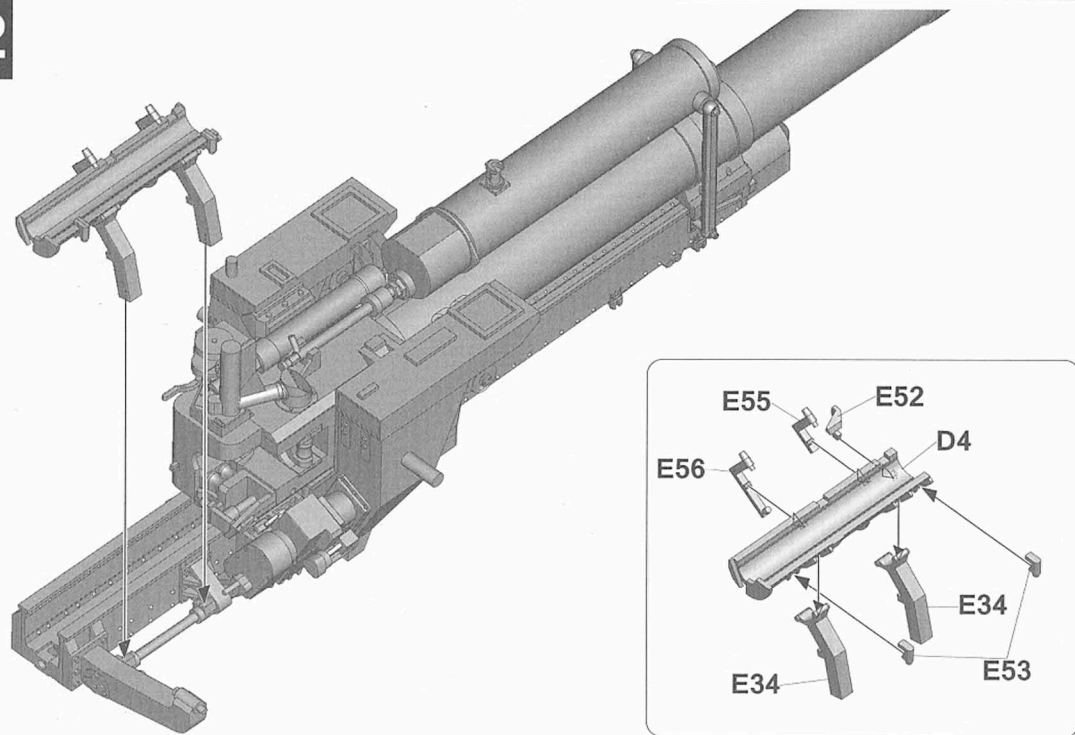
9



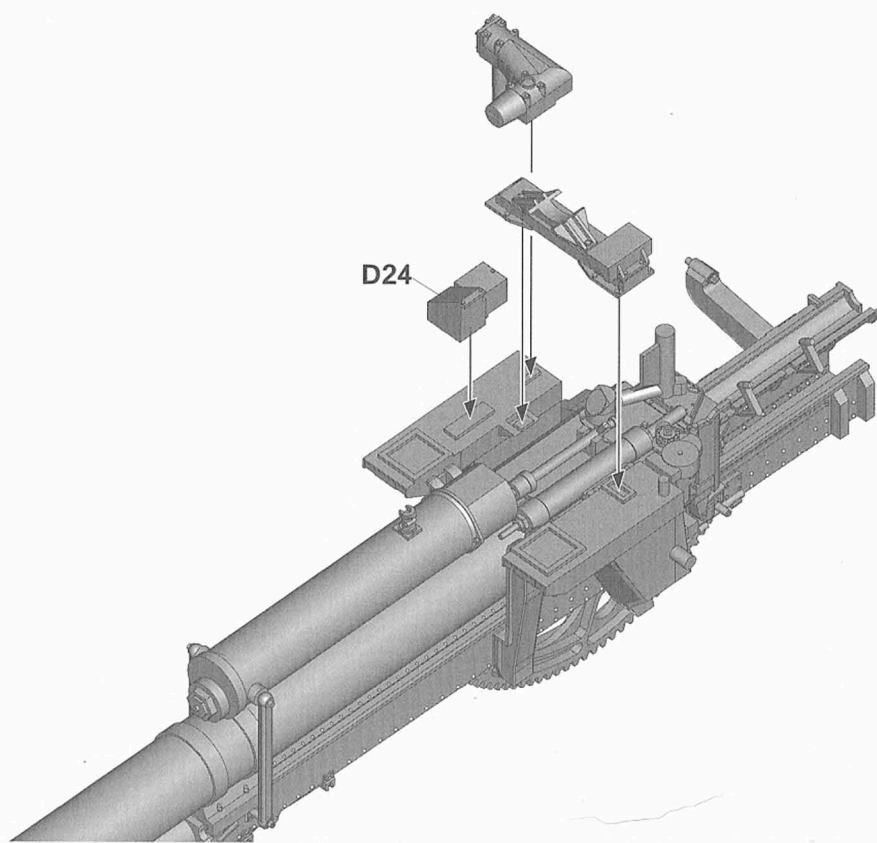
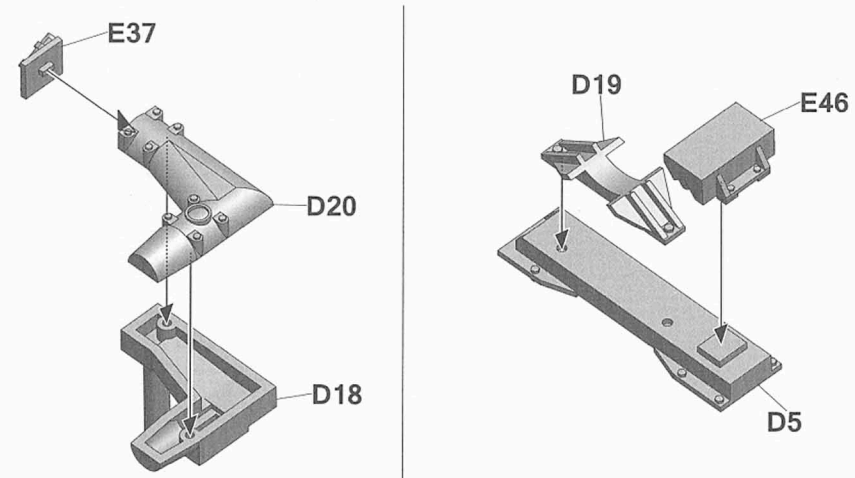
11

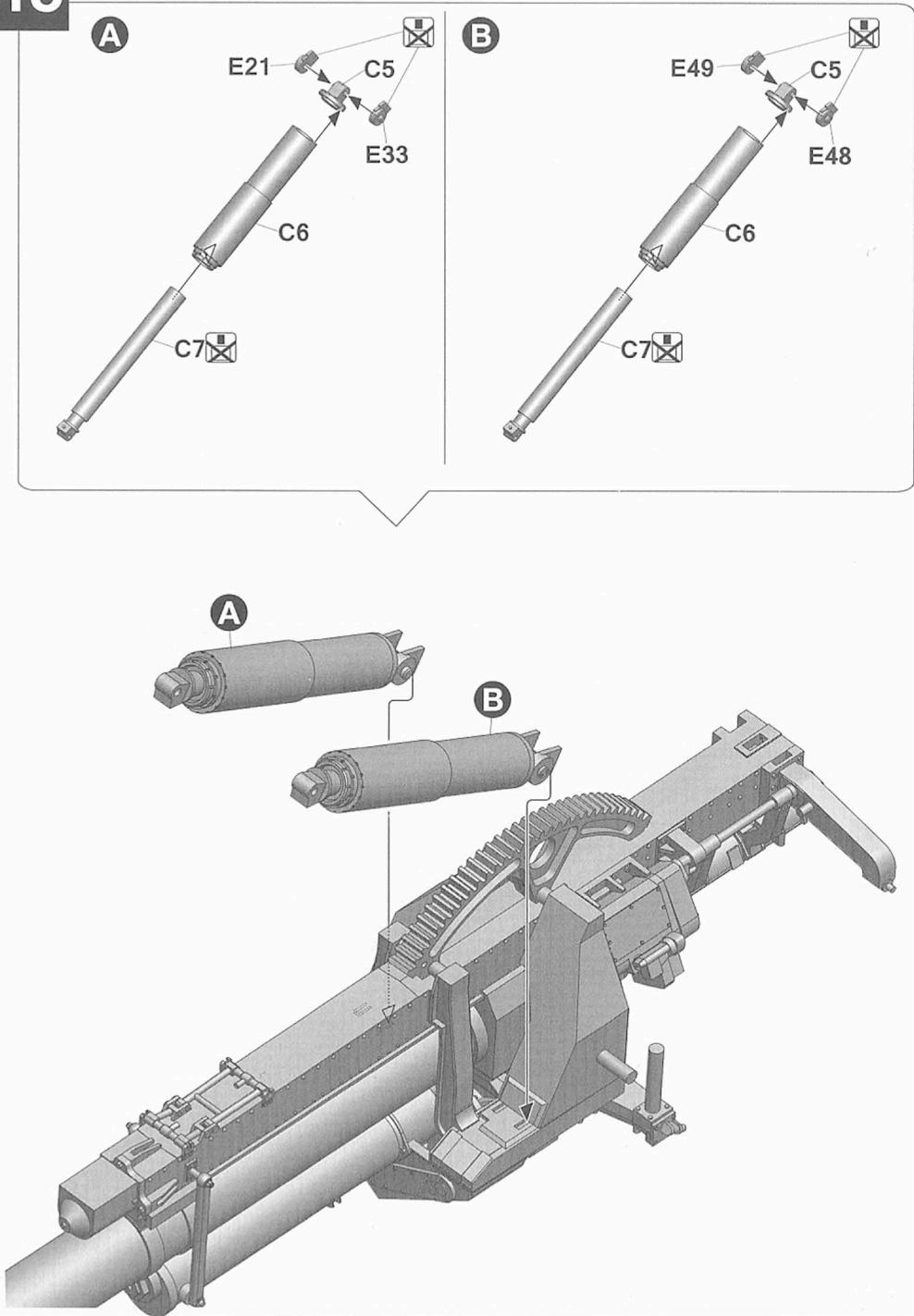
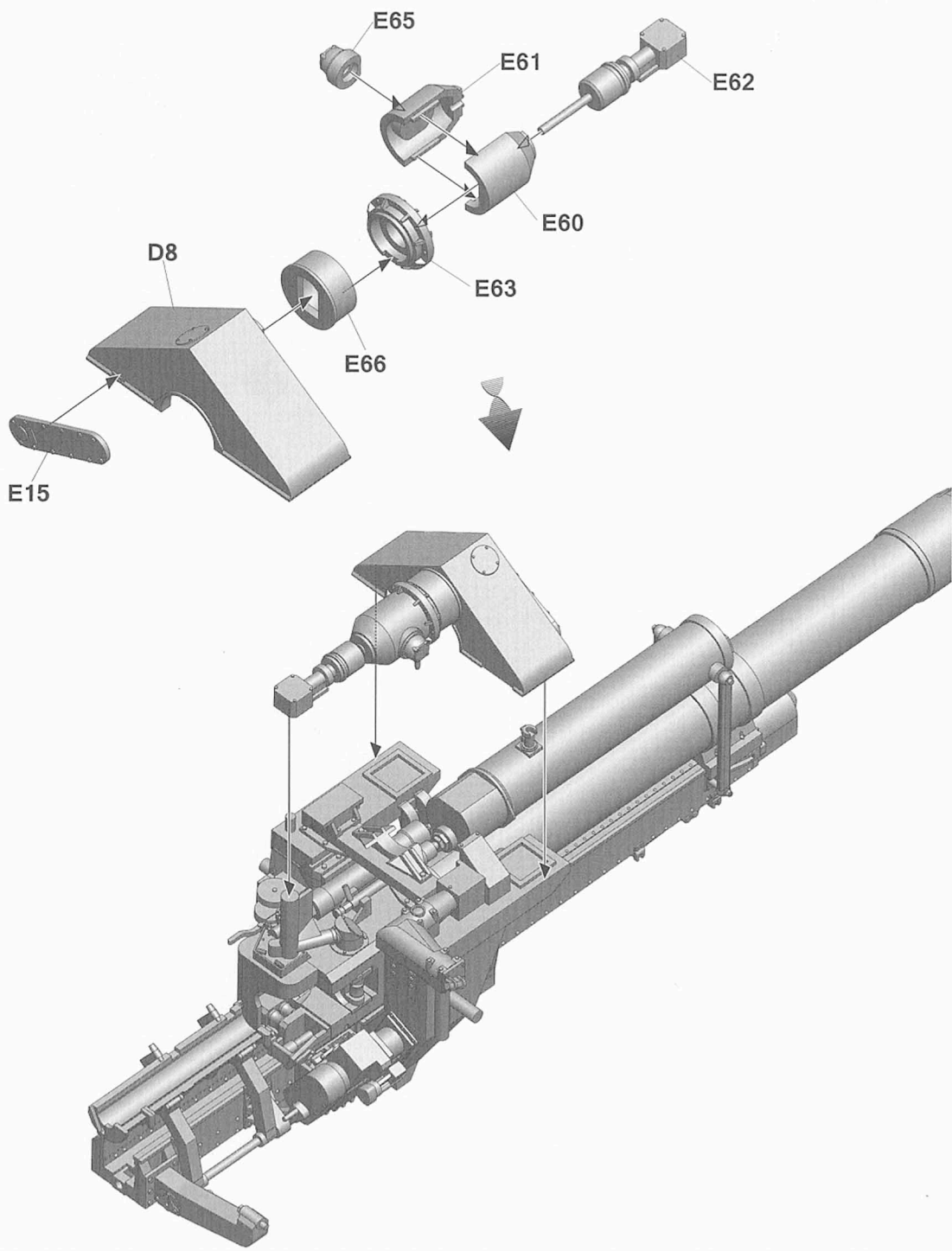


12

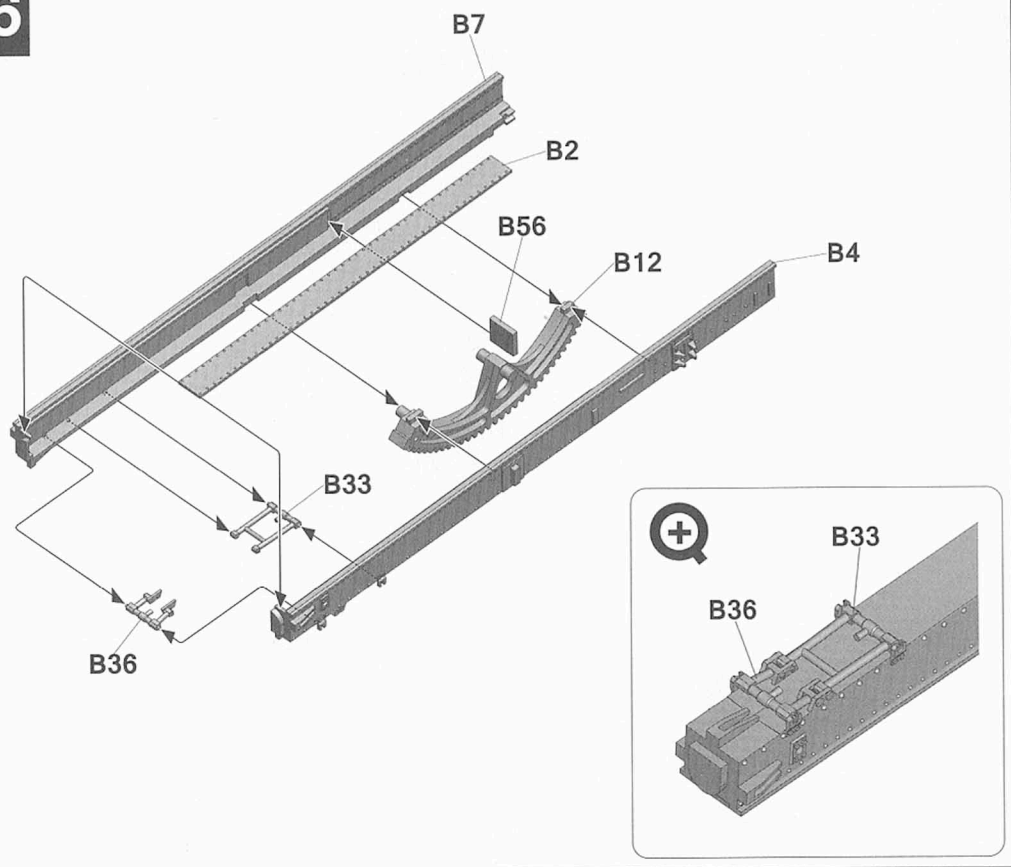


13

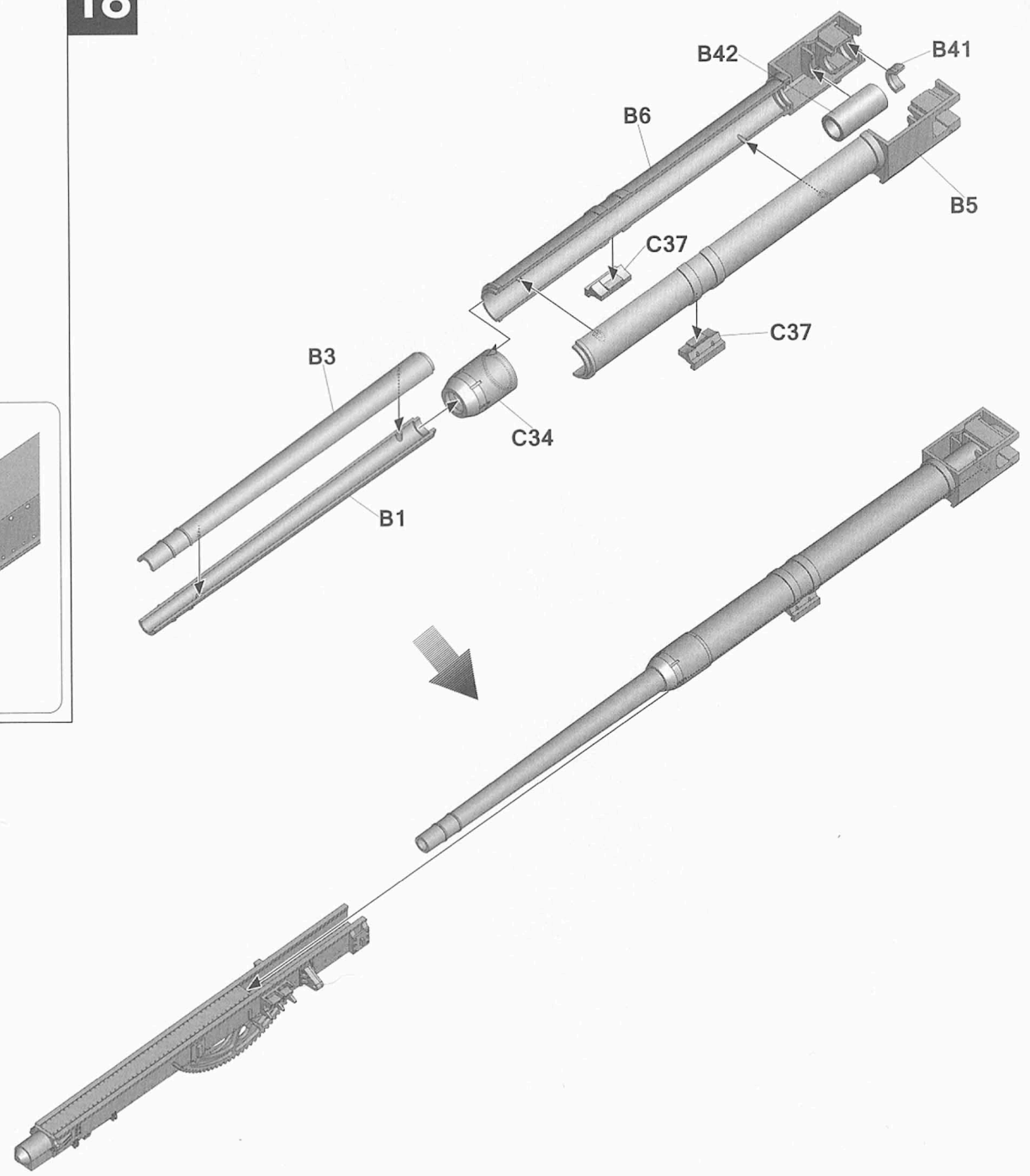




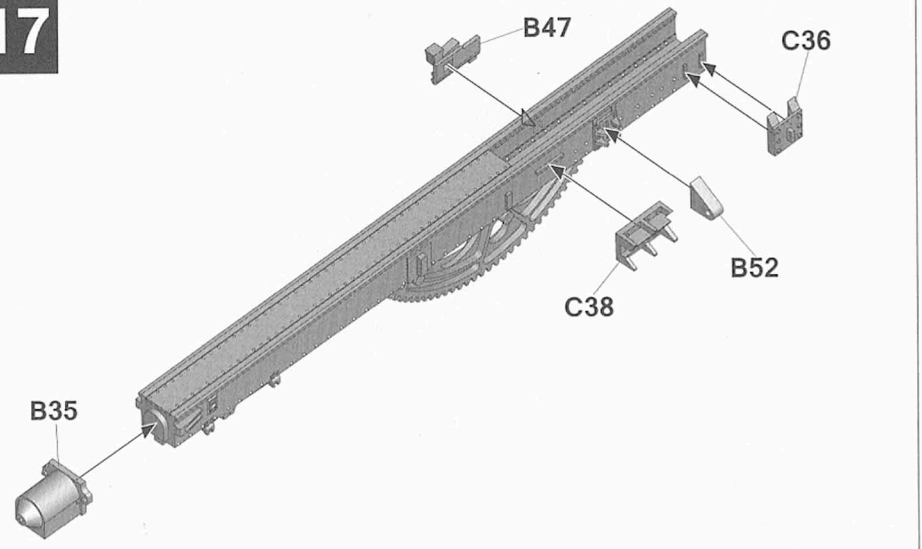
16

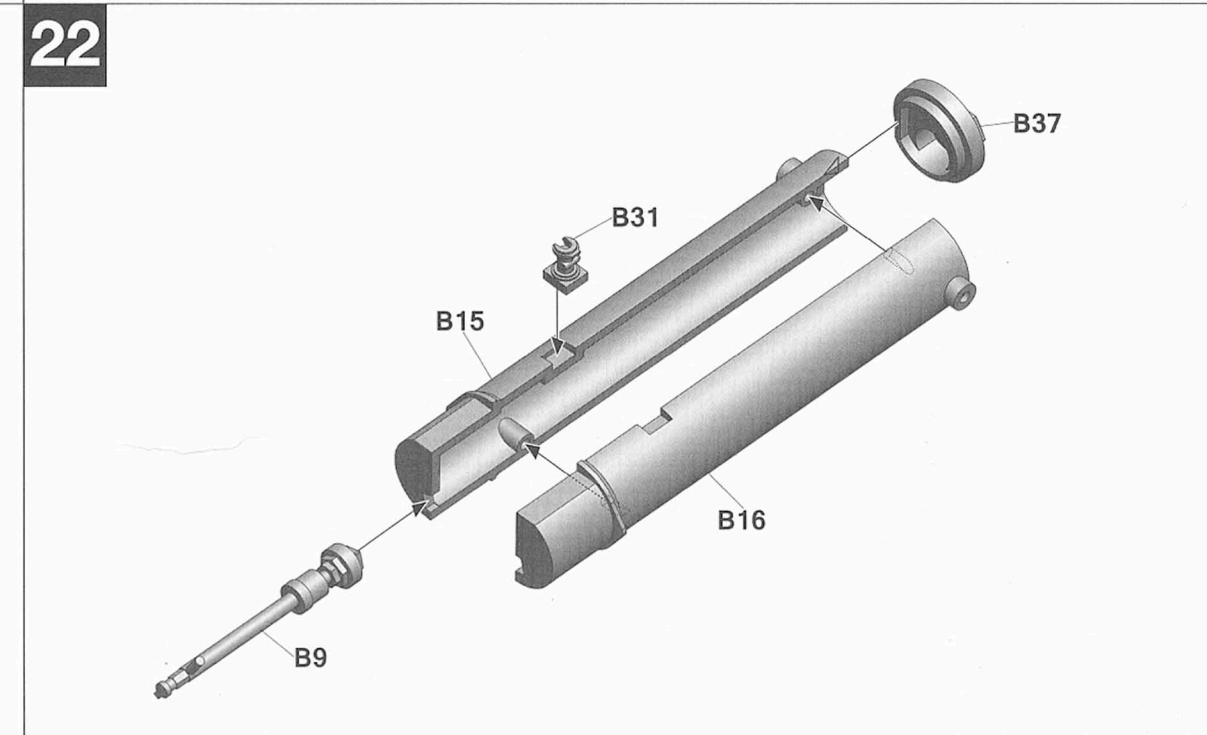
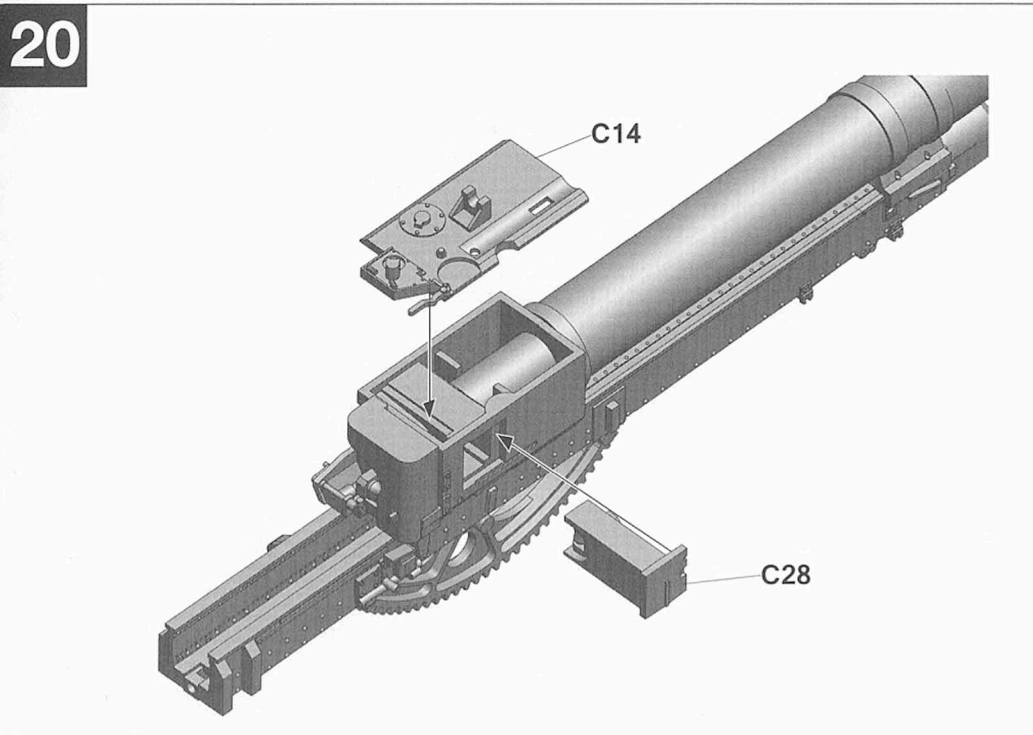
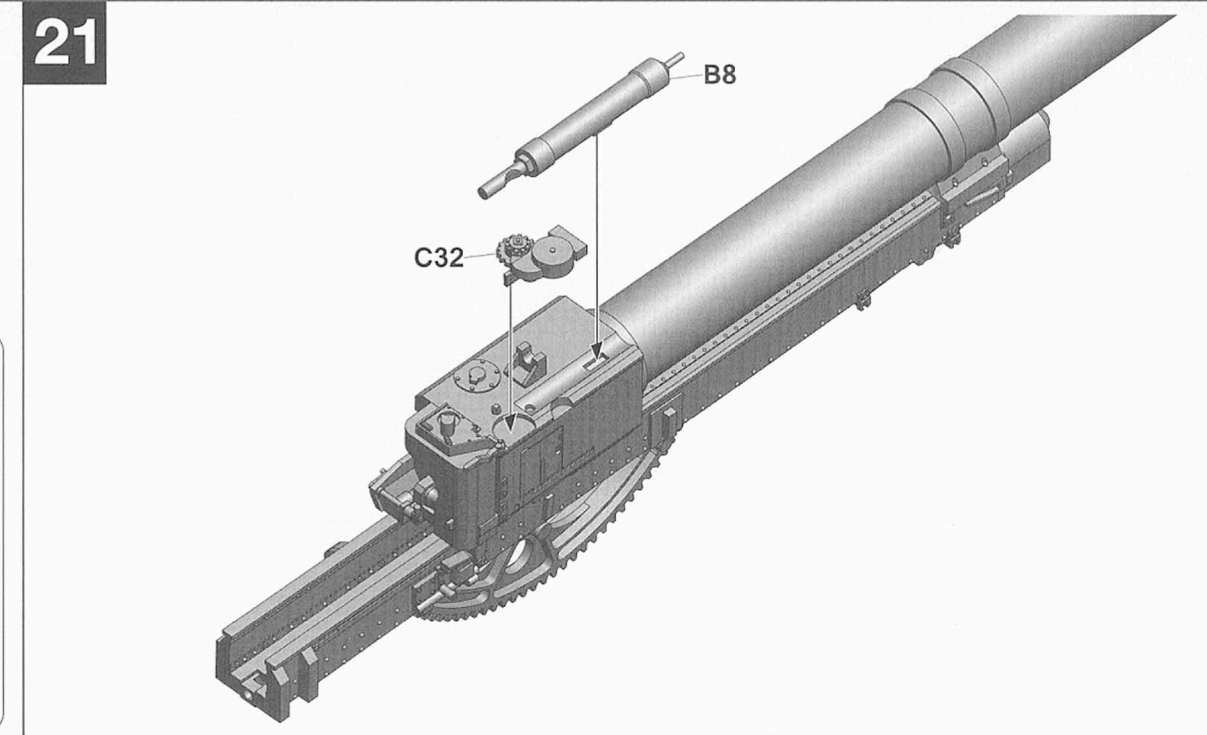
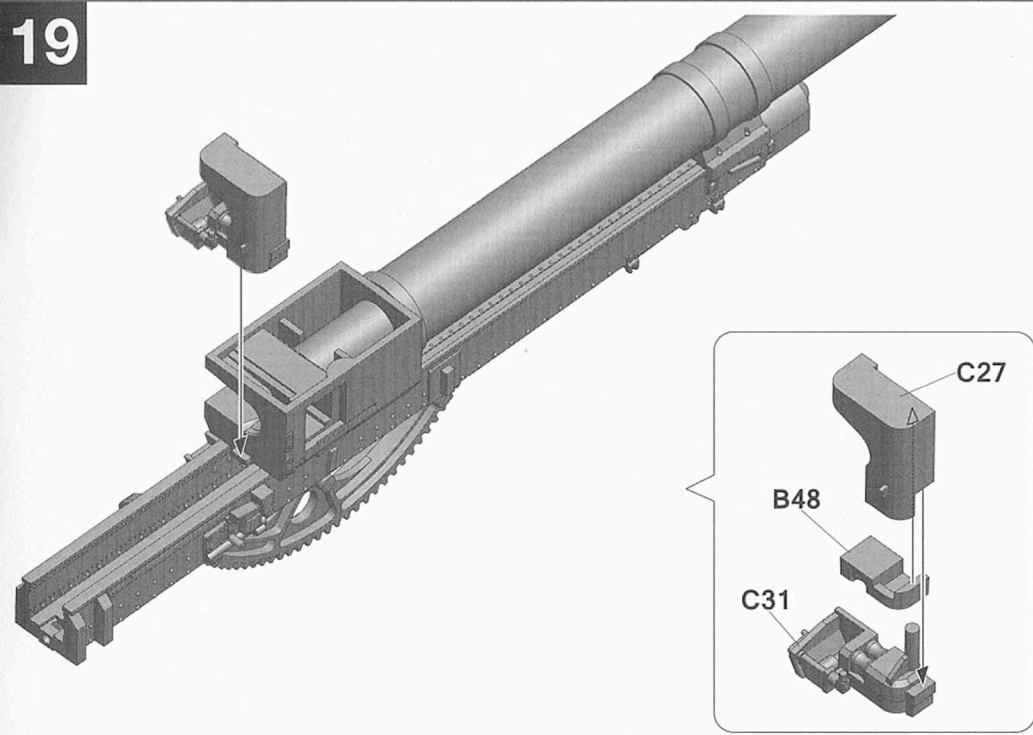


18

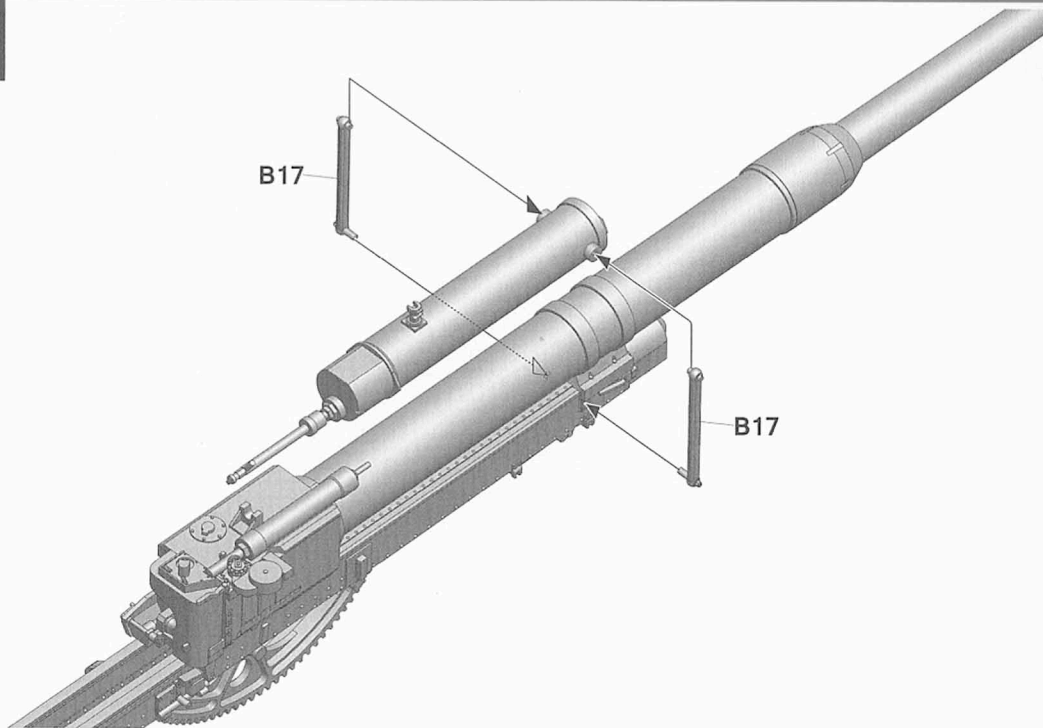


17

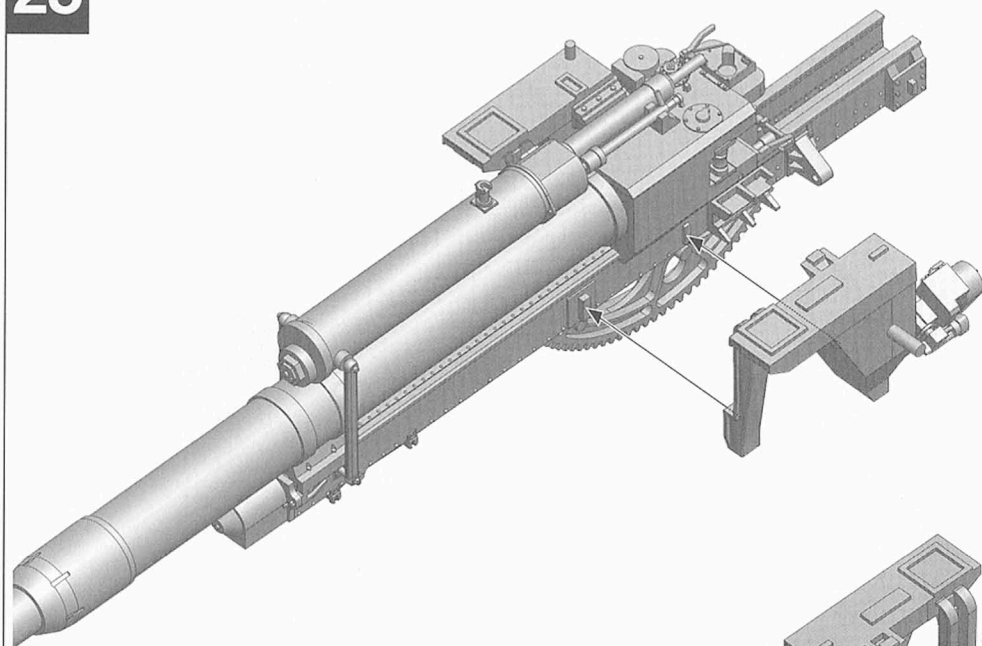




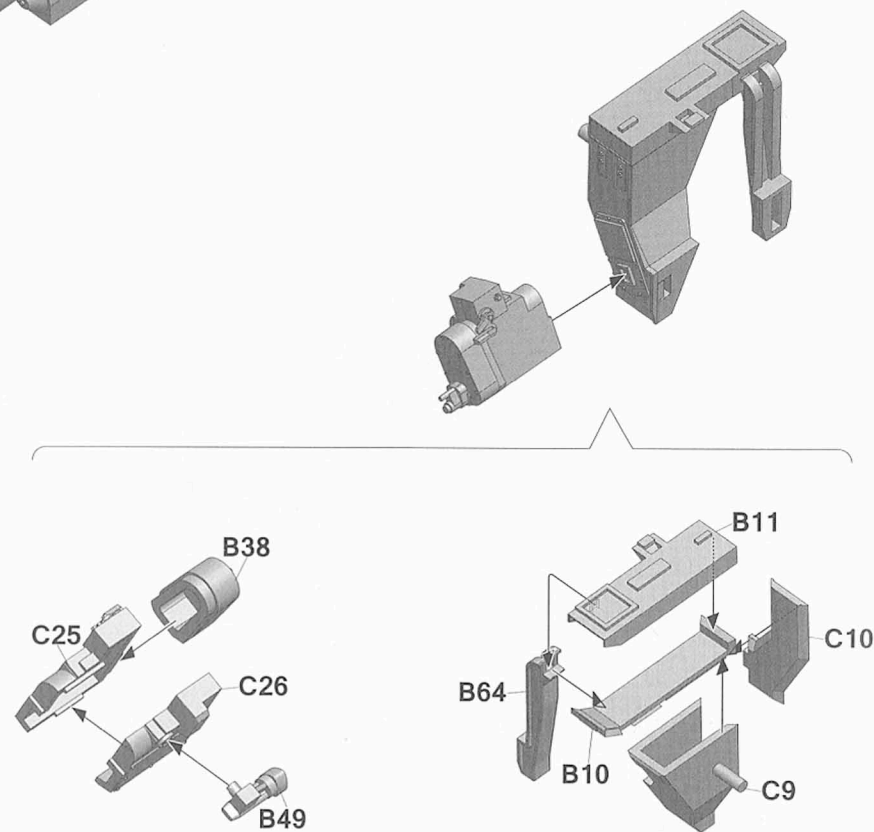
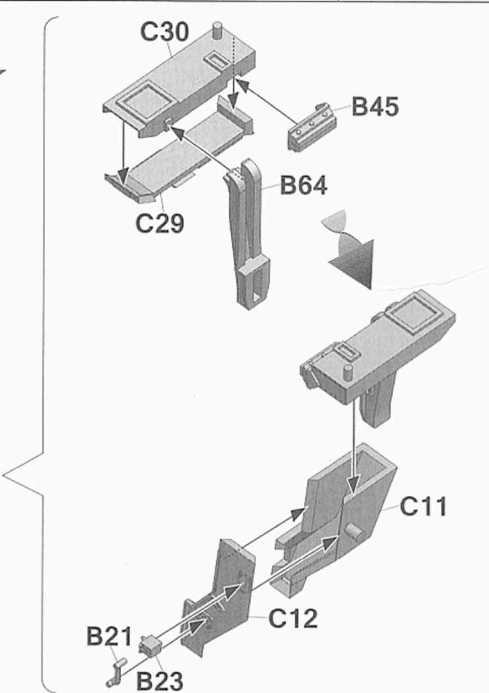
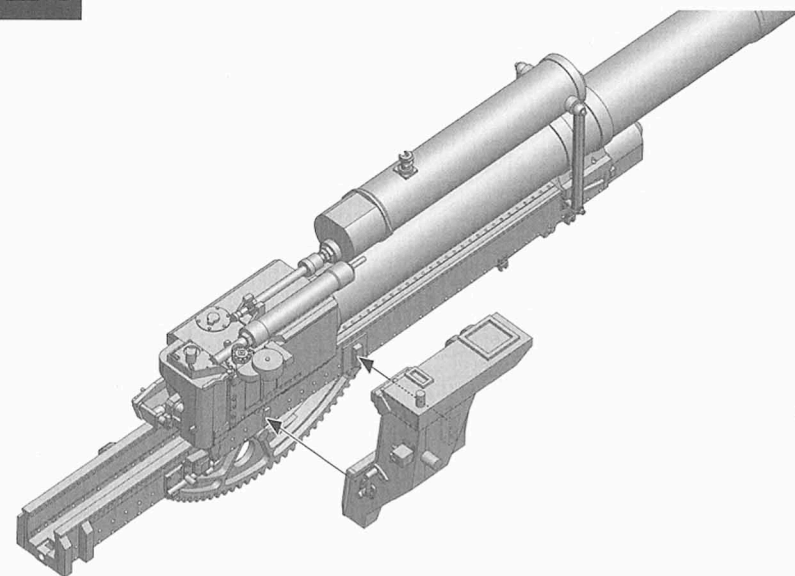
23



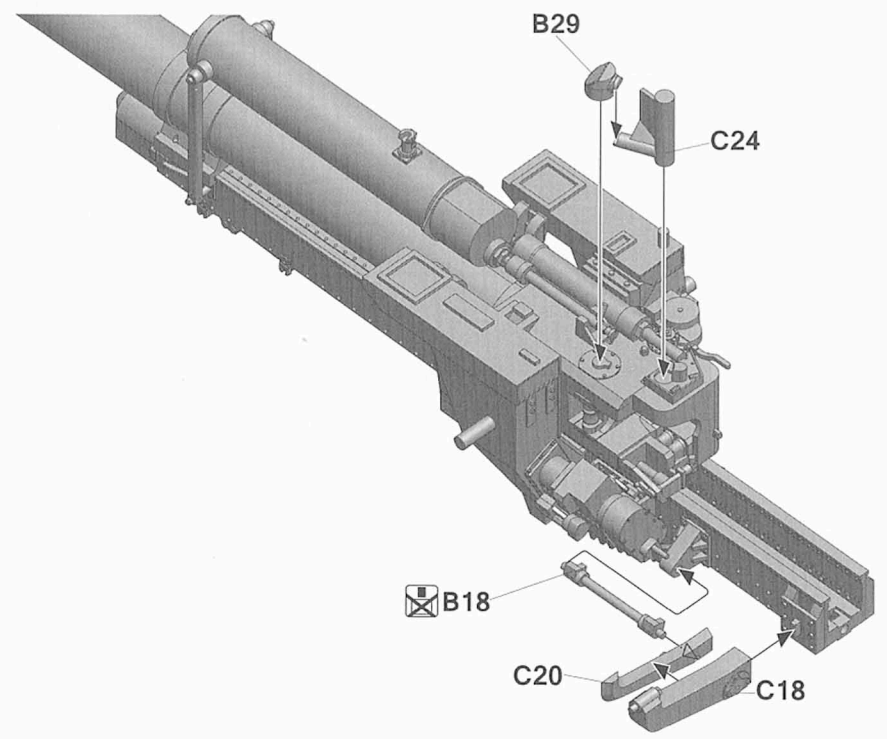
25



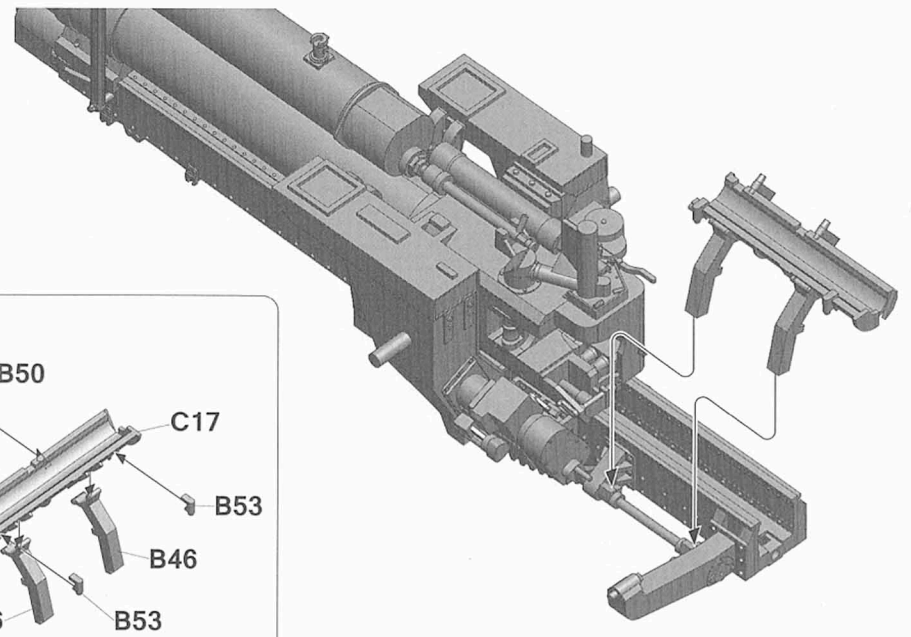
24



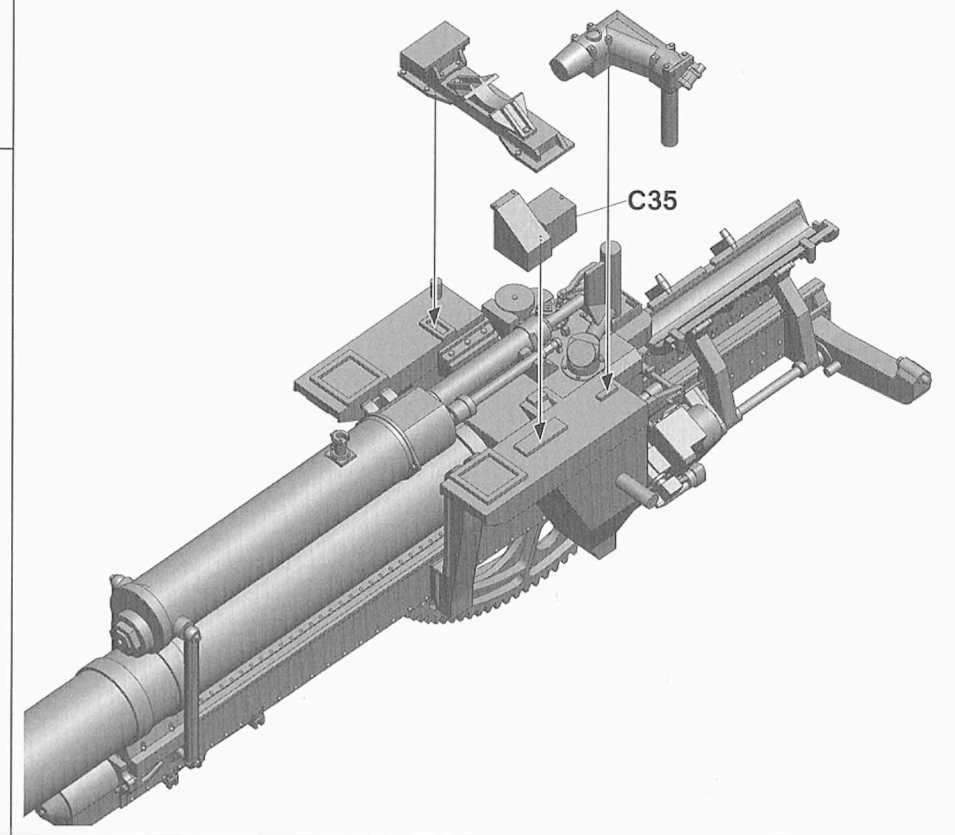
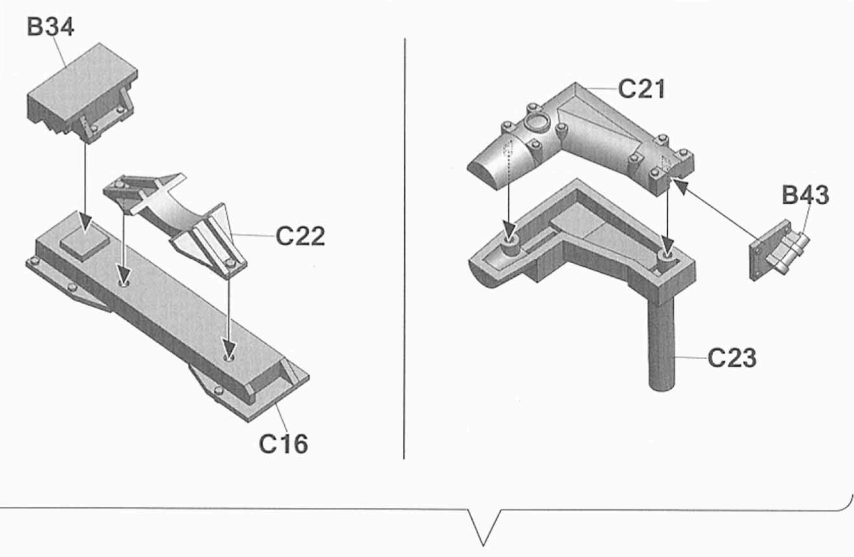
26

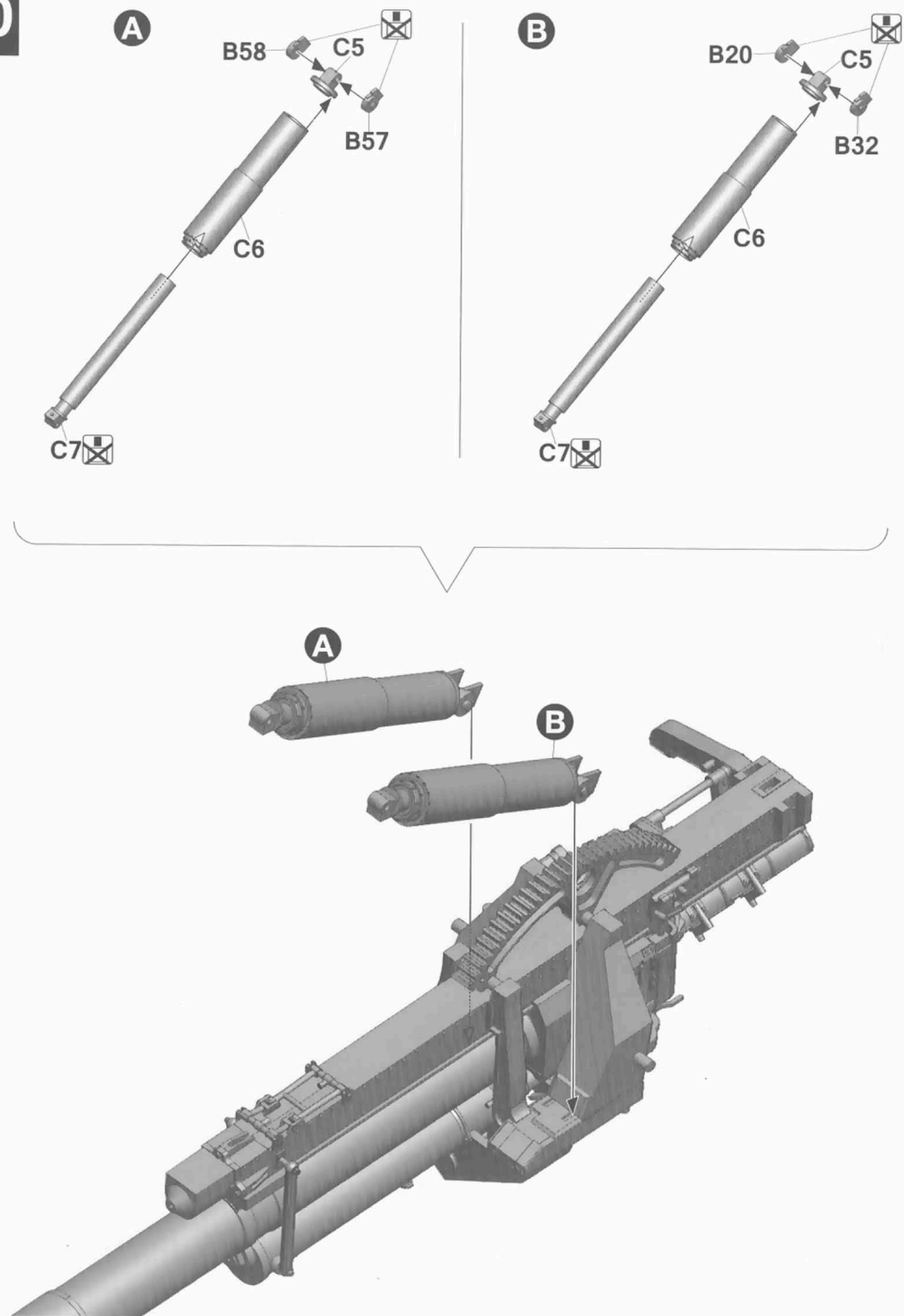
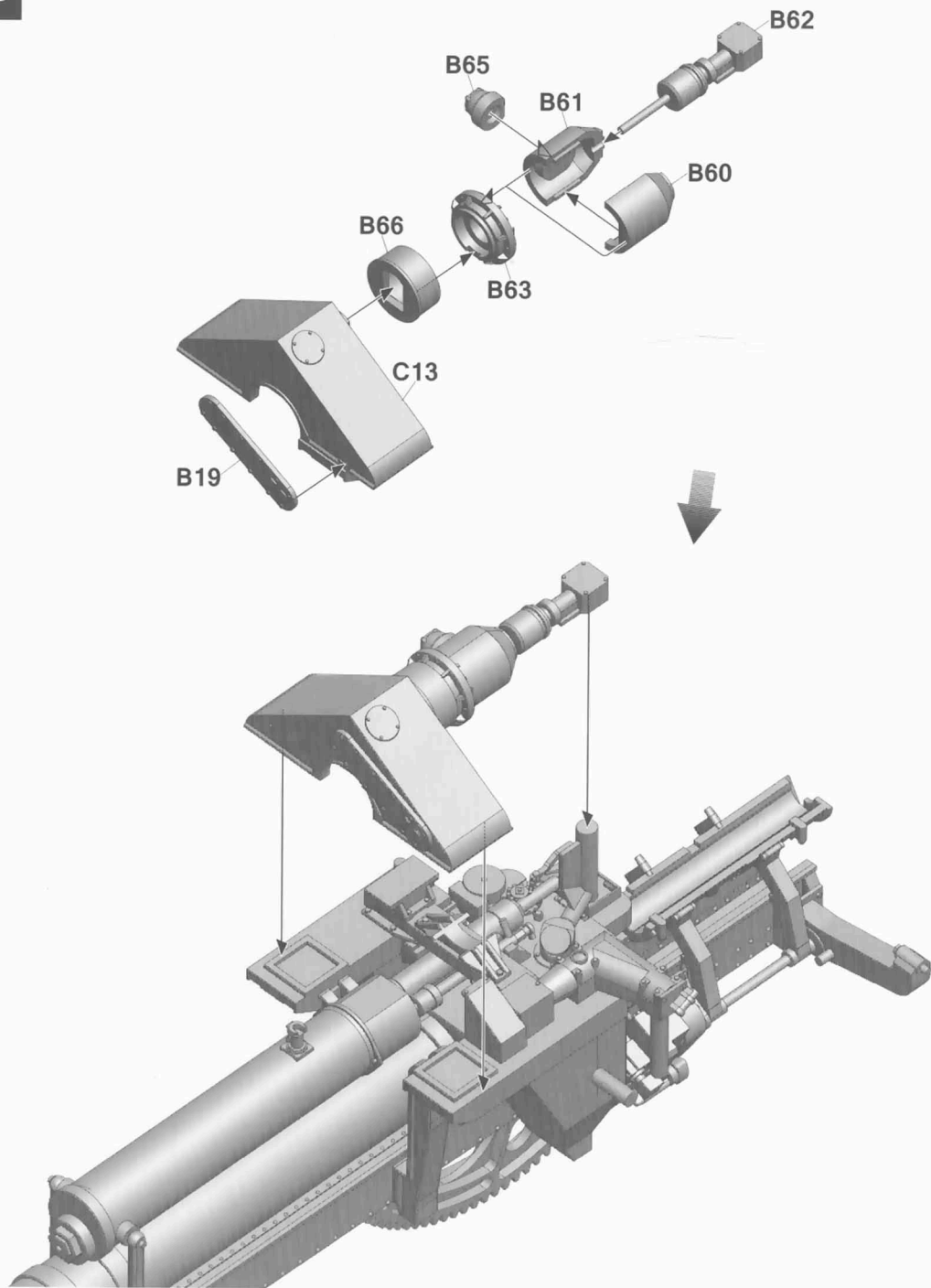


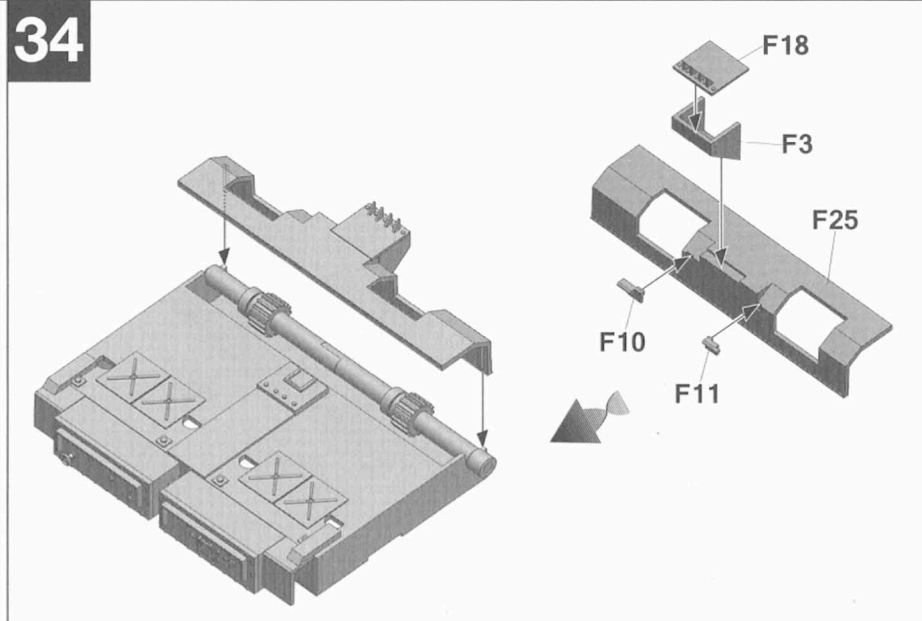
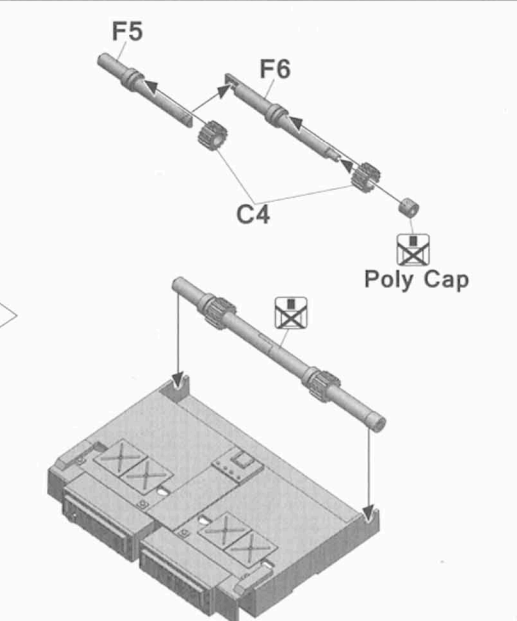
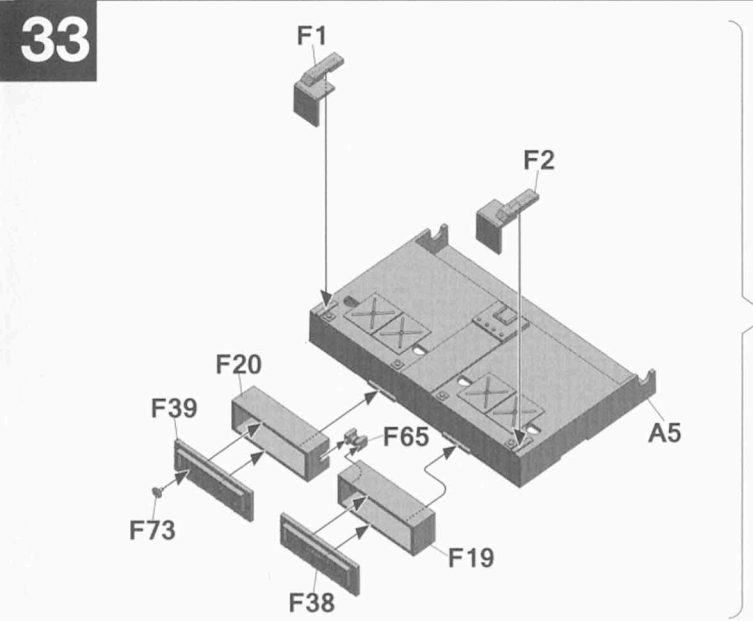
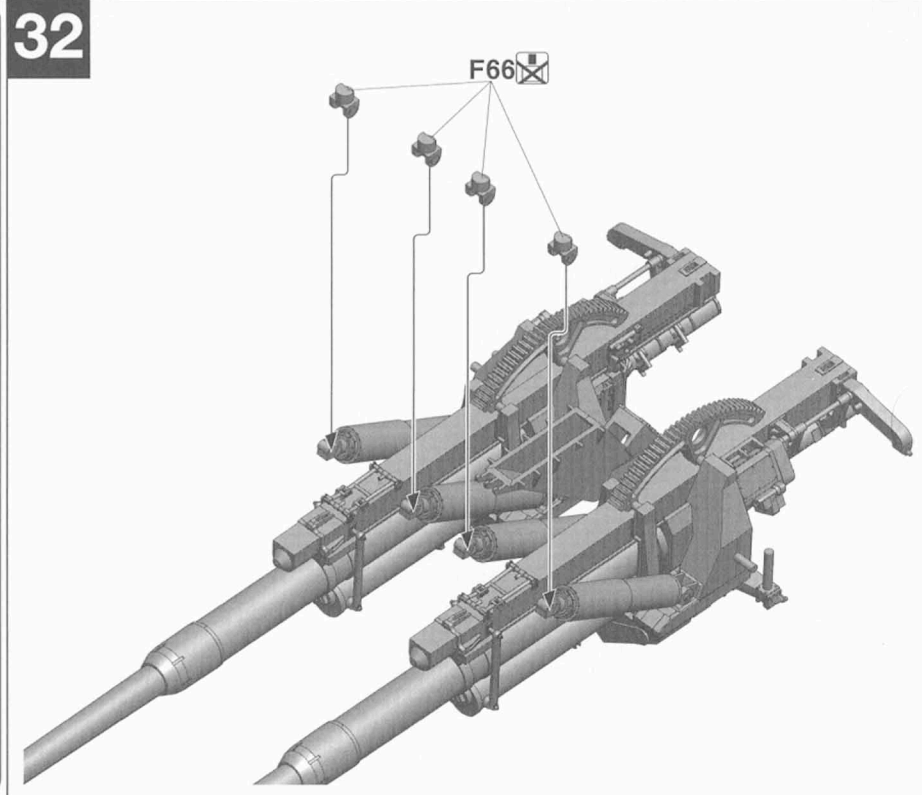
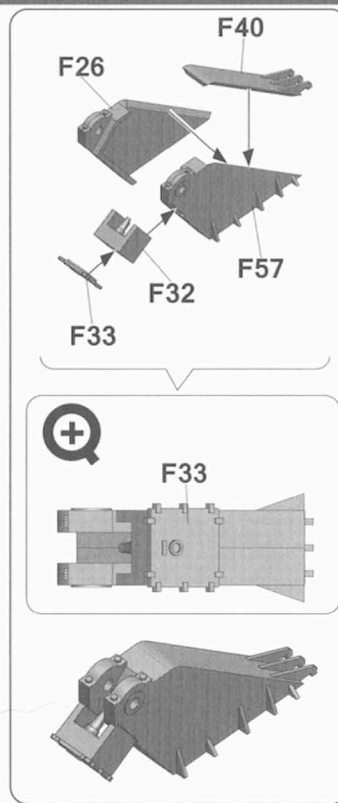
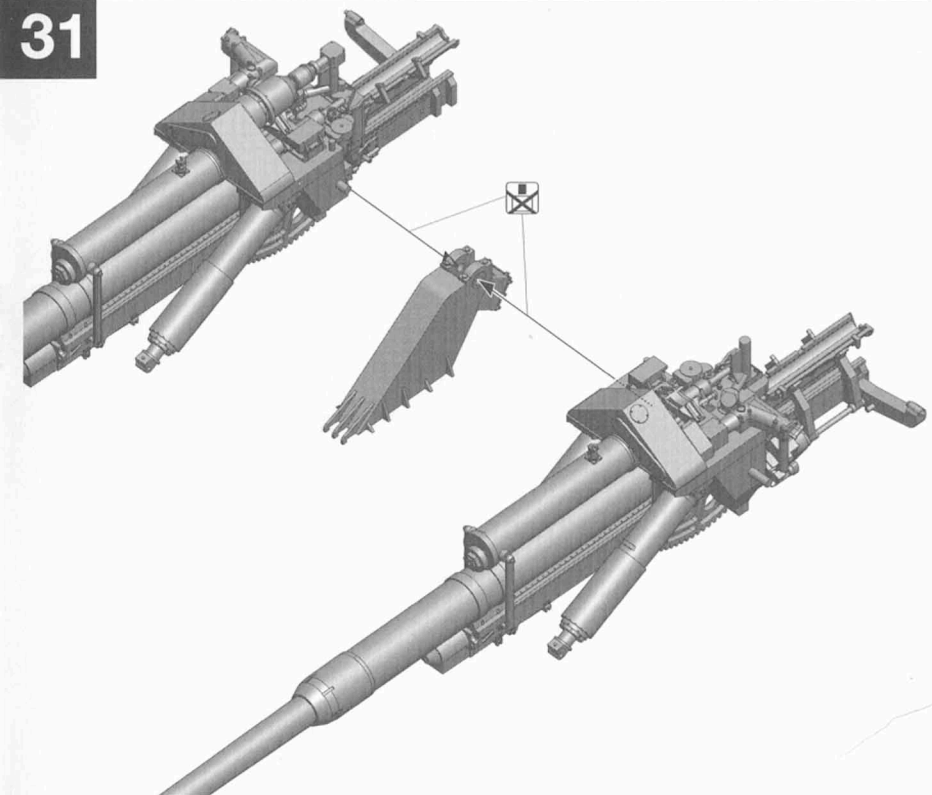
27



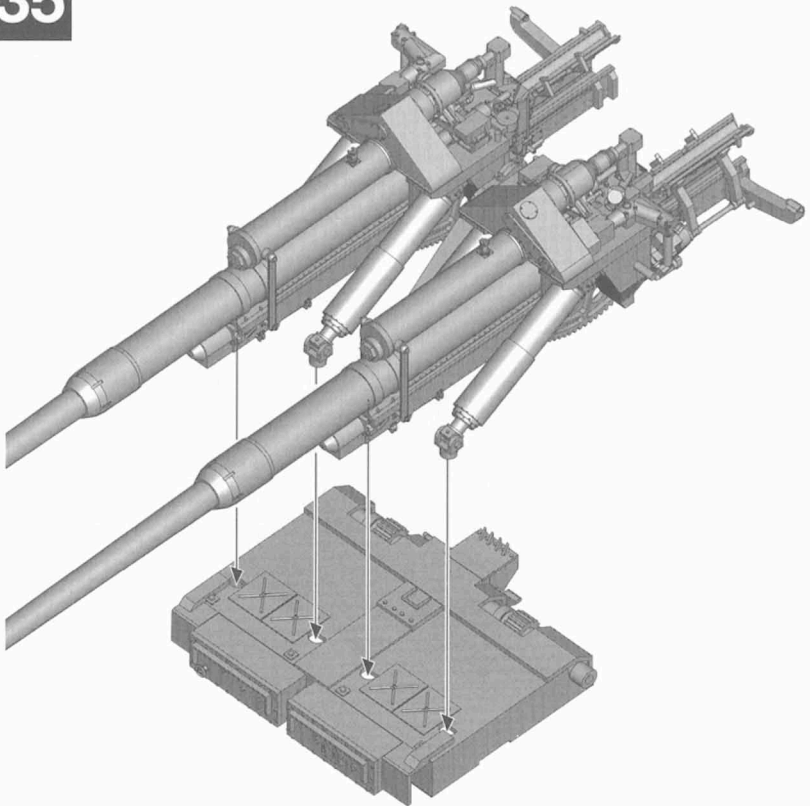
28



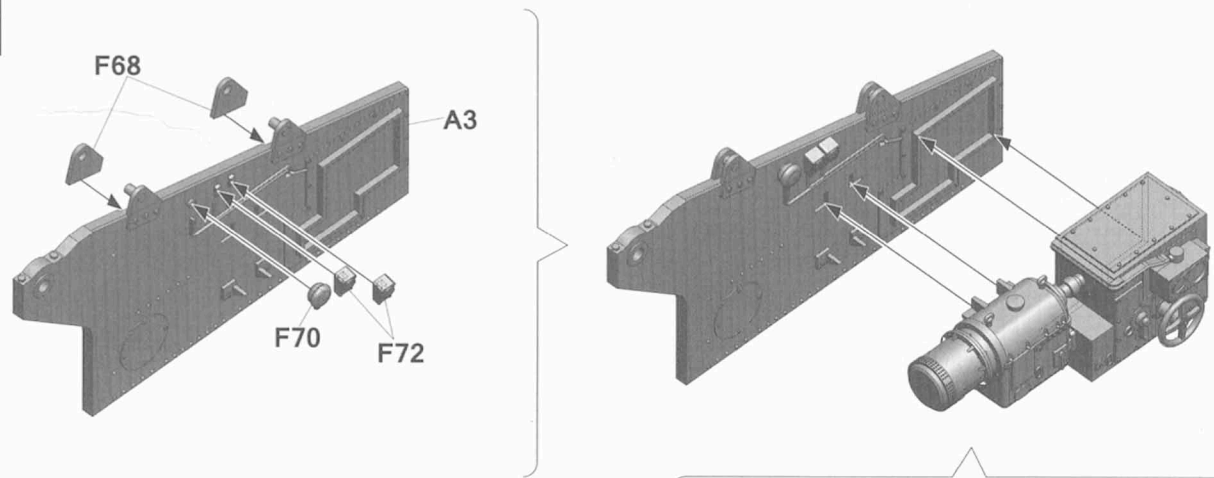




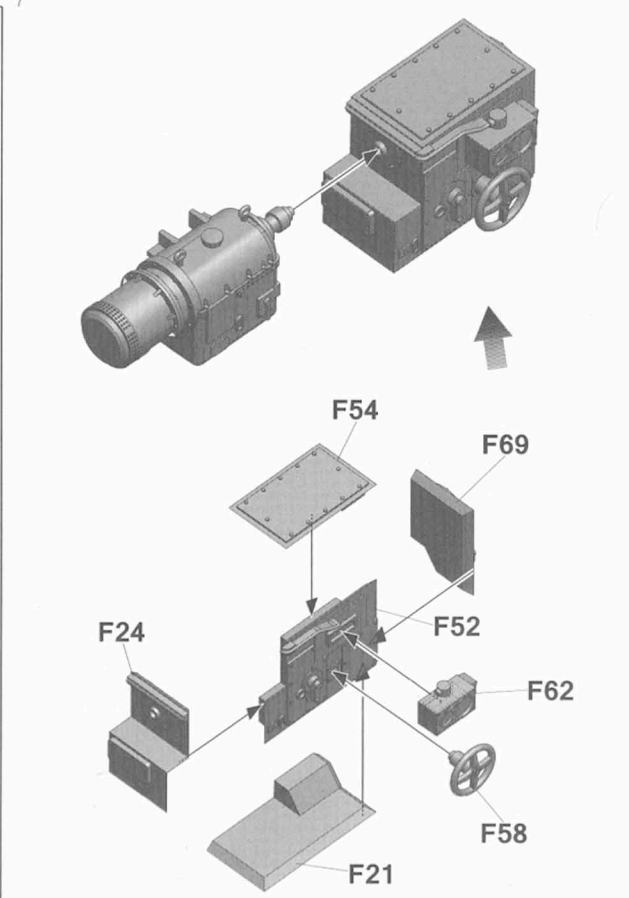
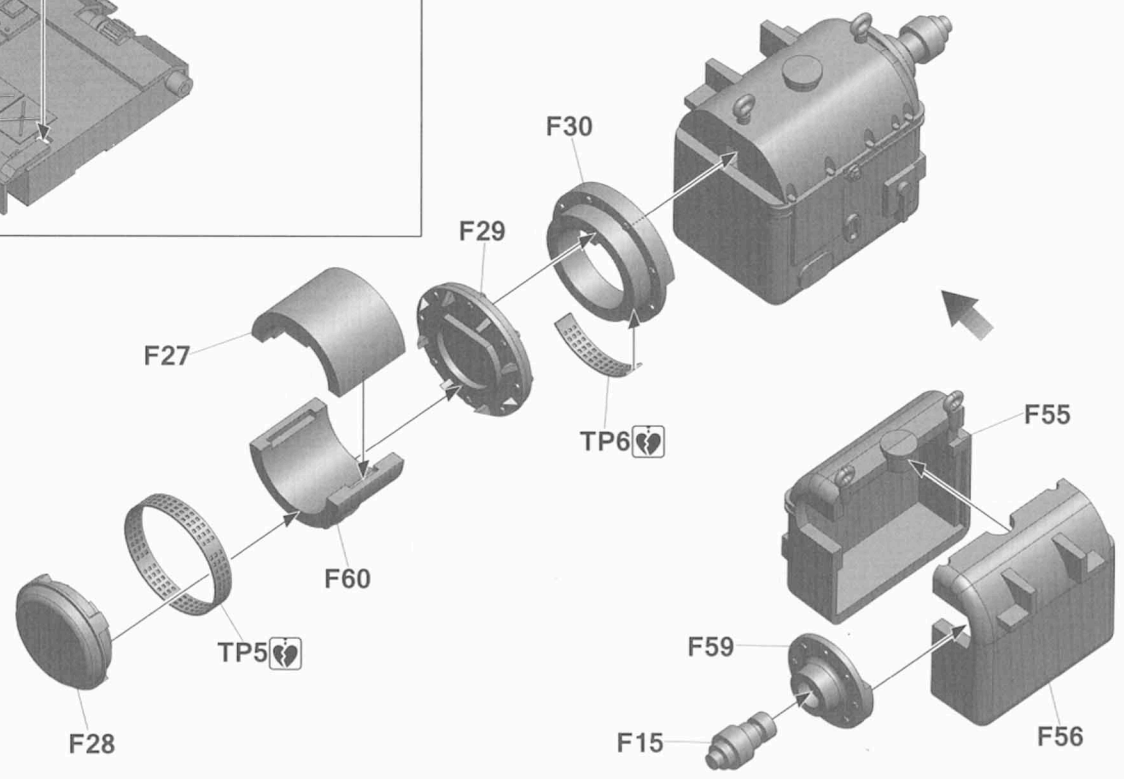
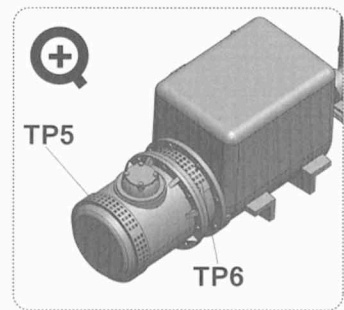
35



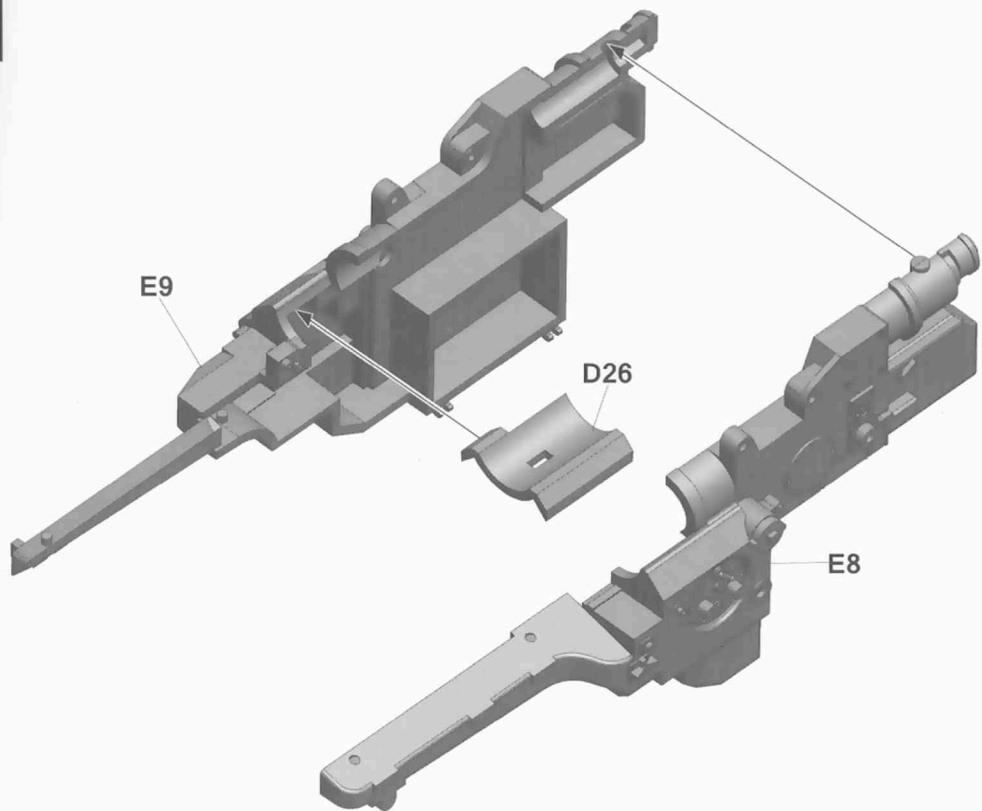
37



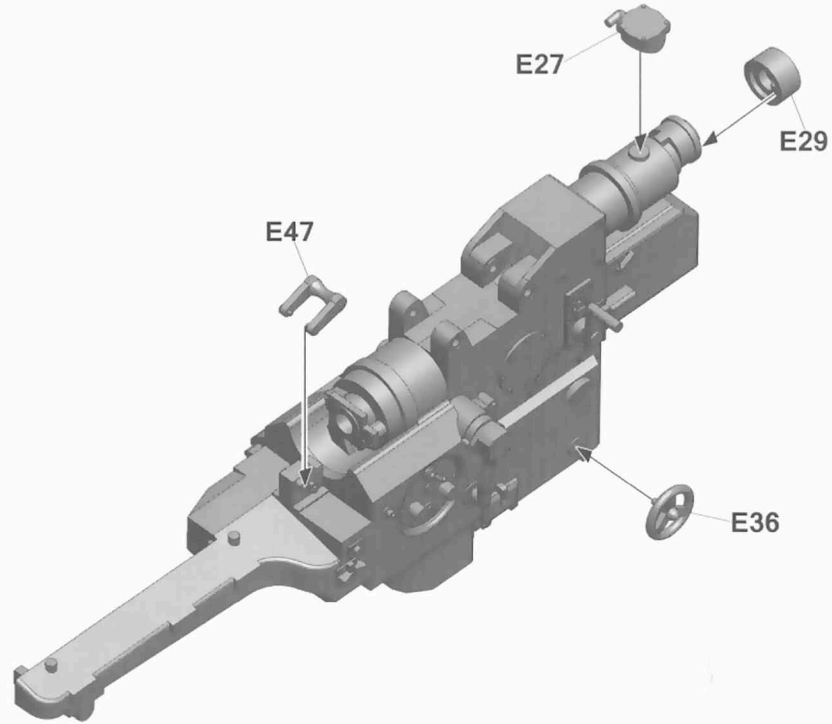
36



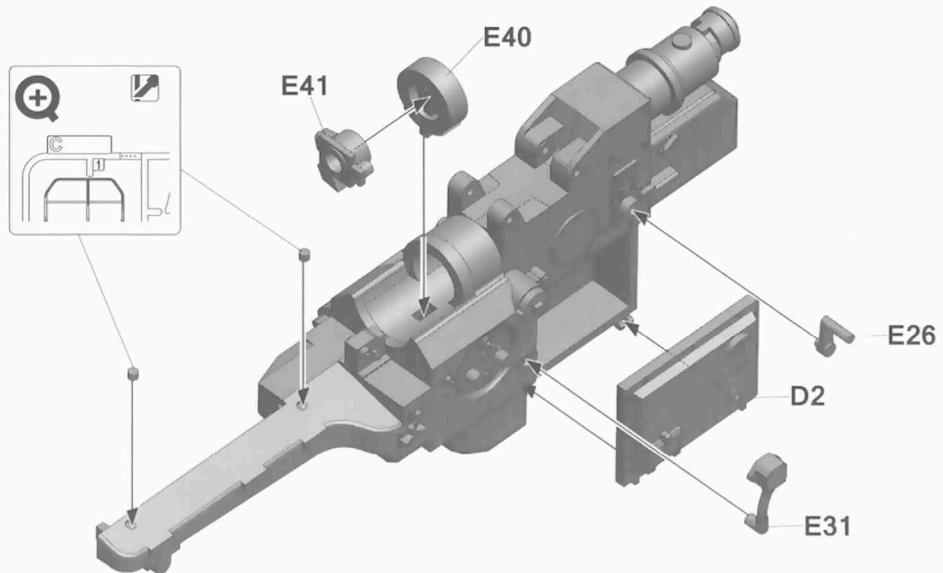
38



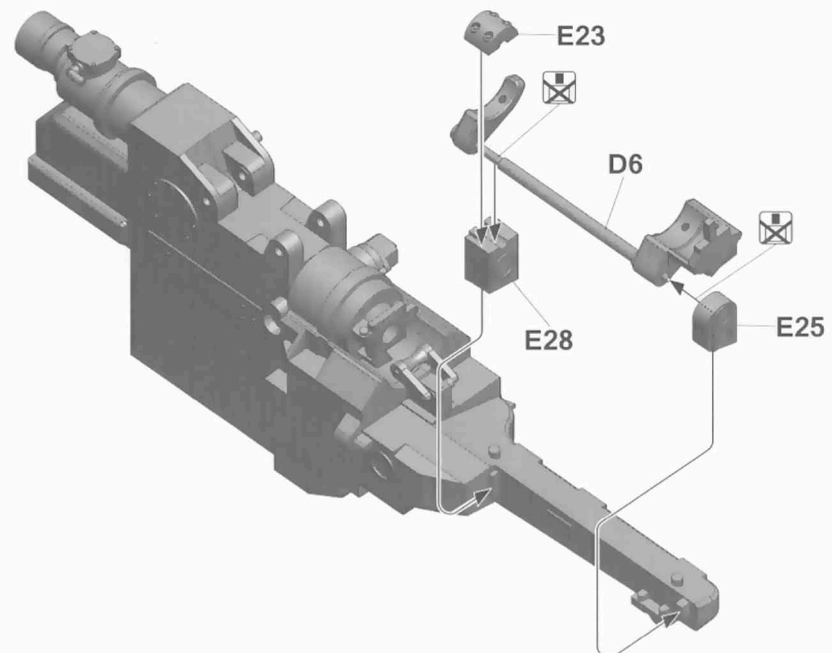
40



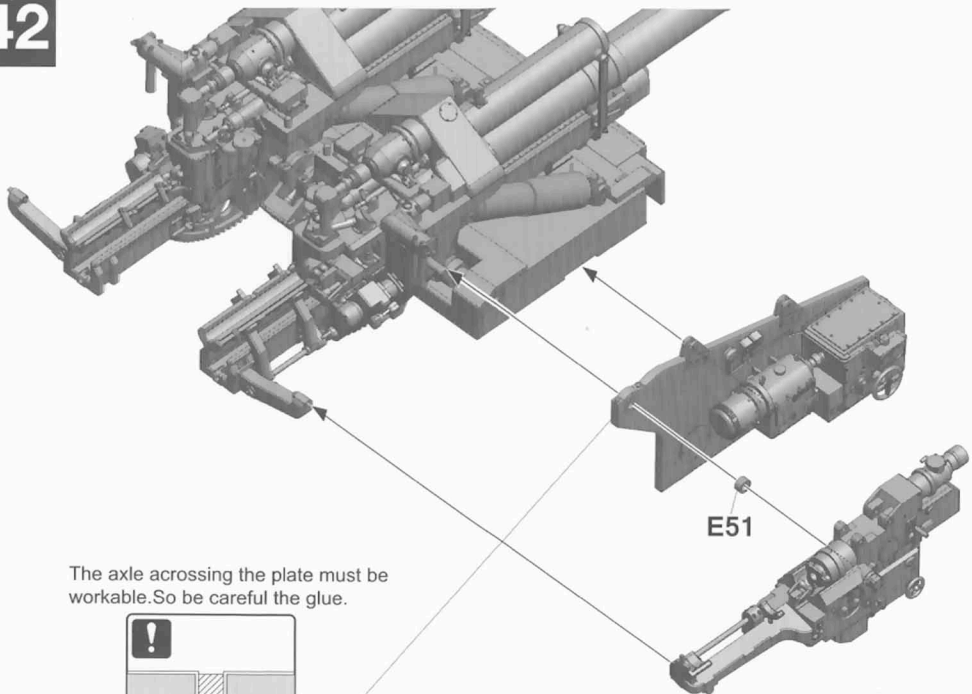
39



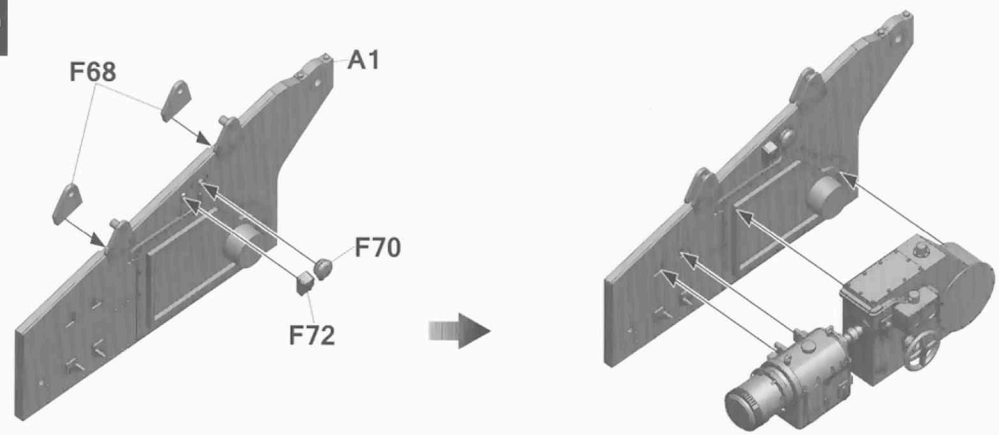
41



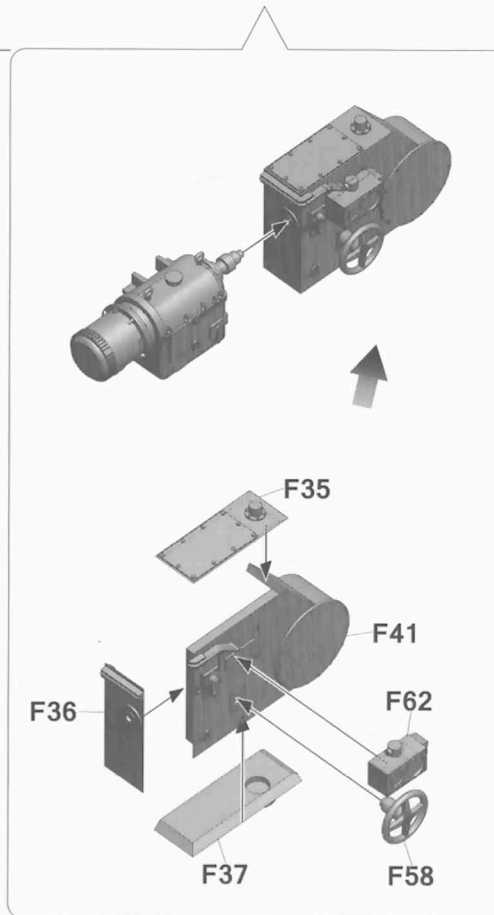
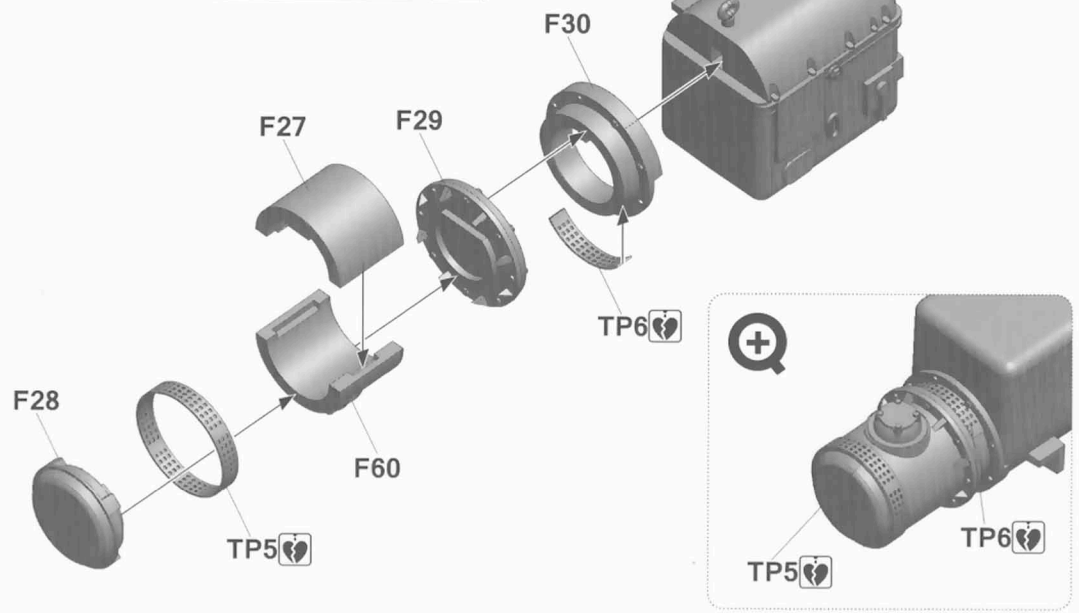
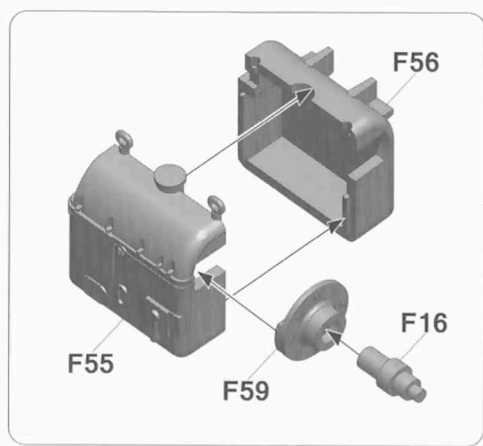
42



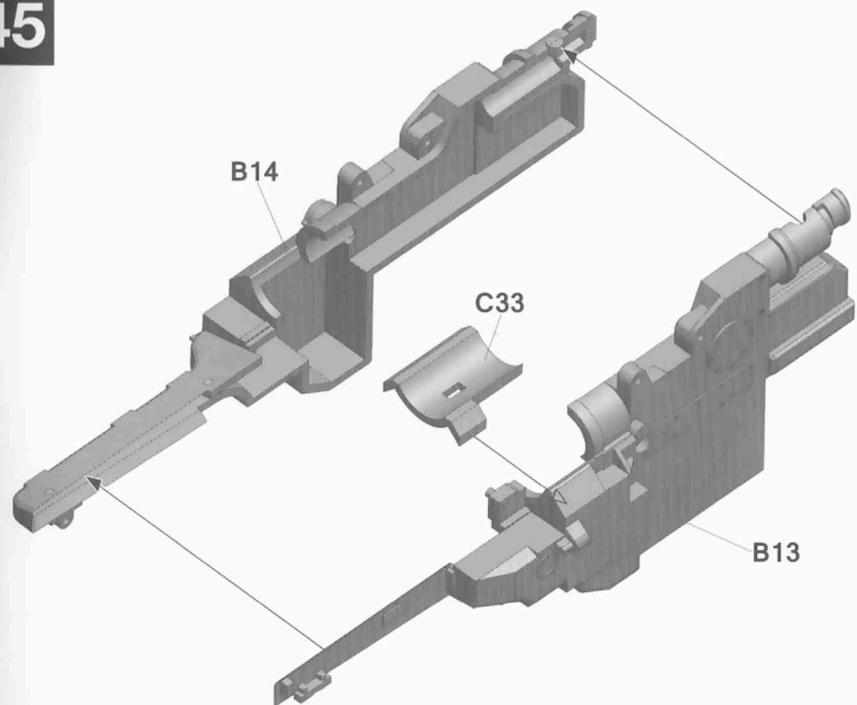
44



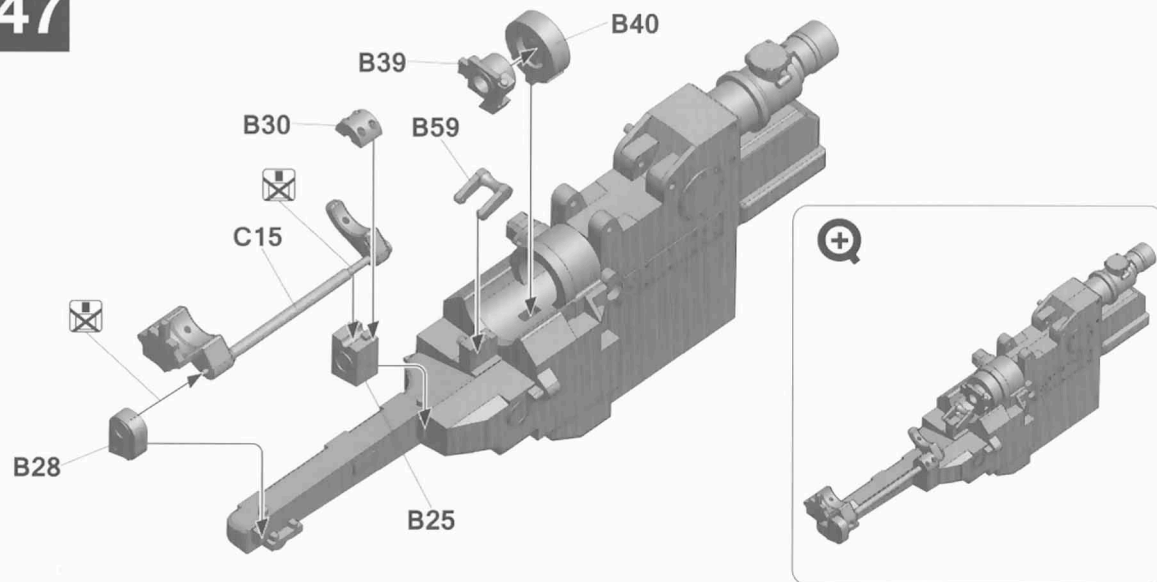
43



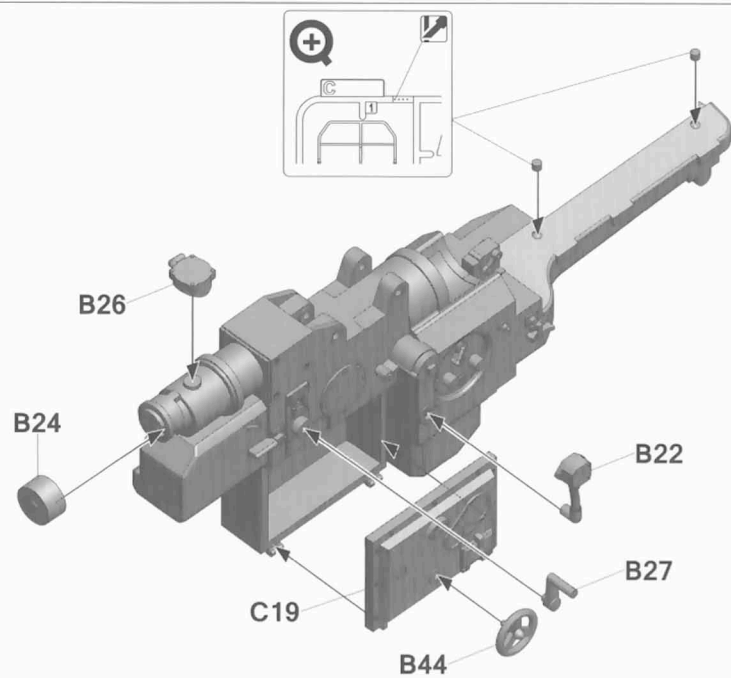
45



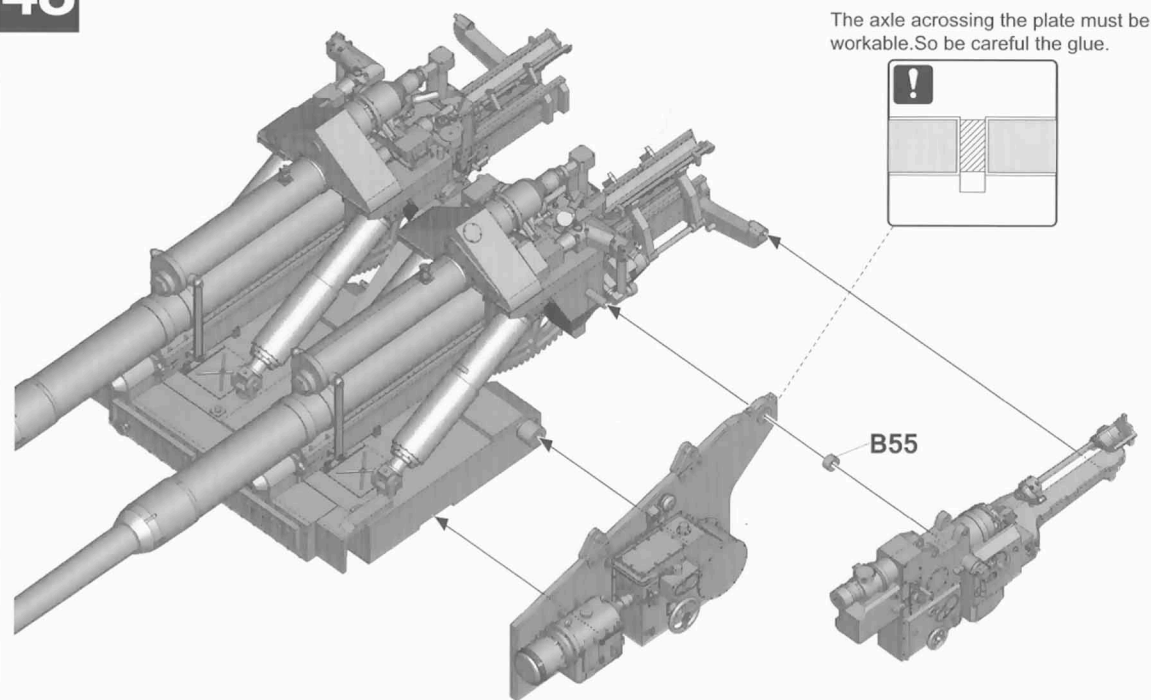
47



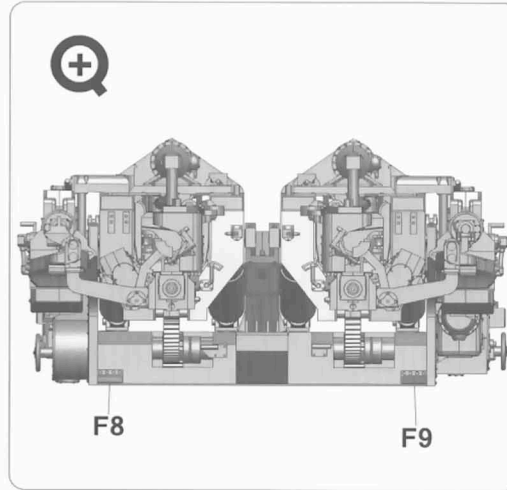
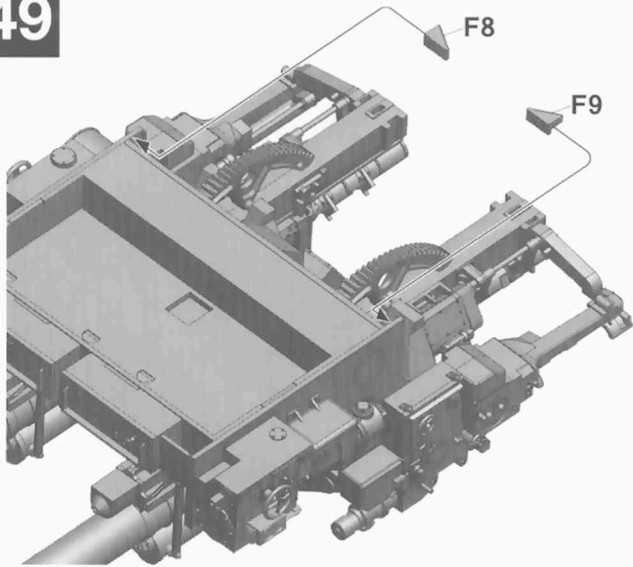
46



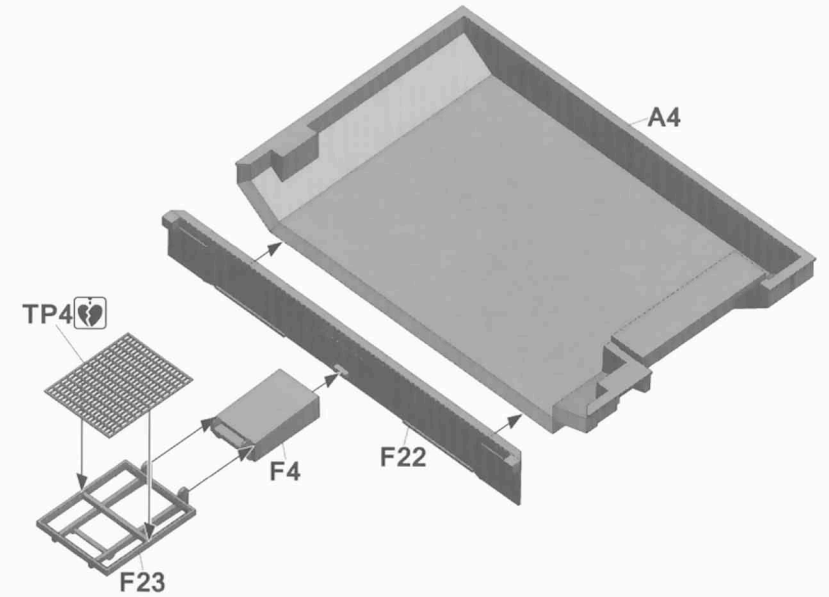
48



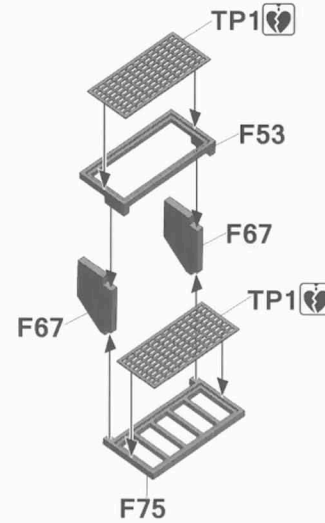
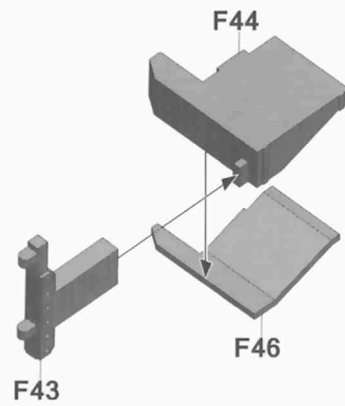
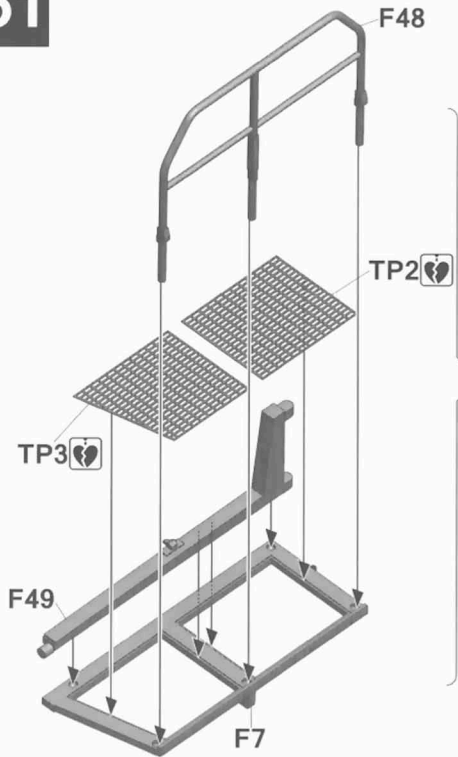
49



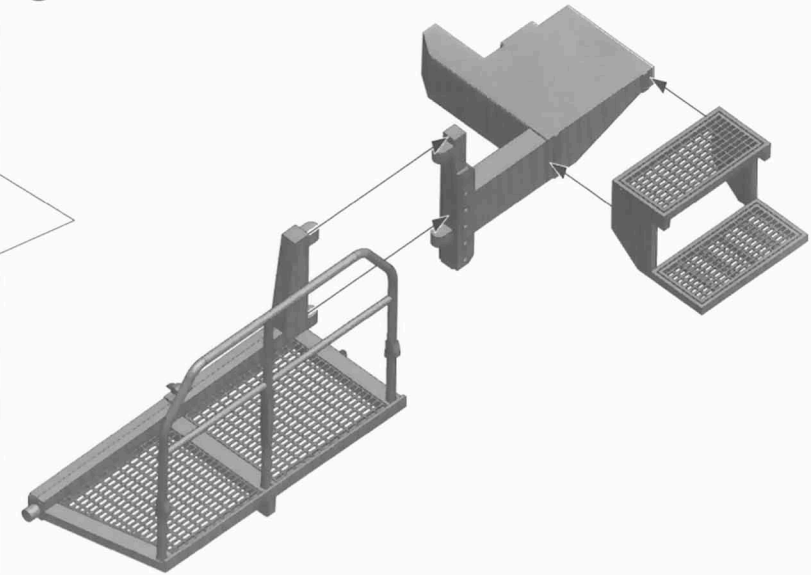
50



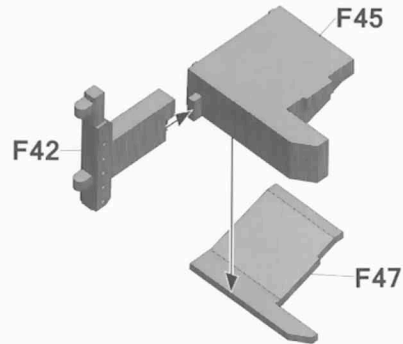
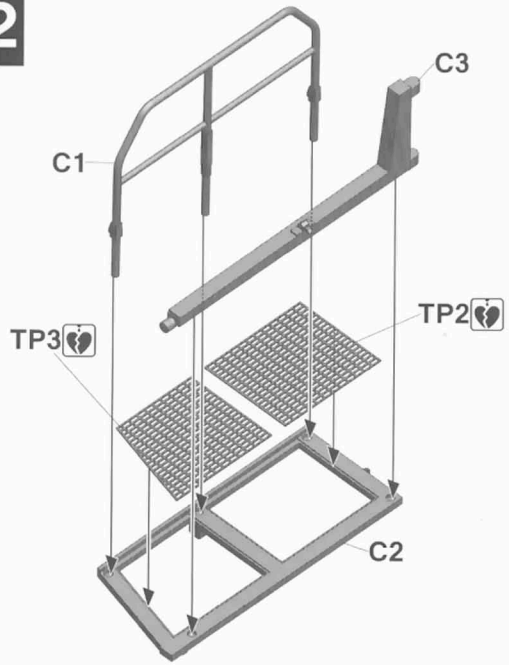
51



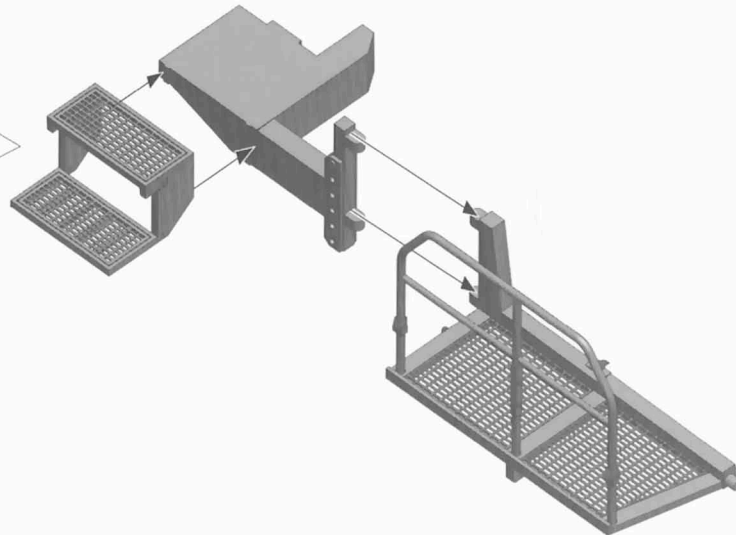
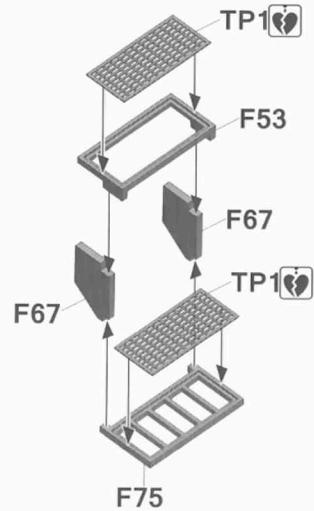
A



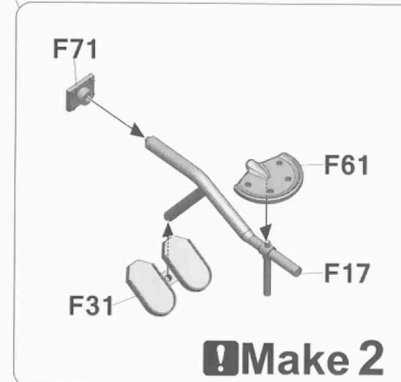
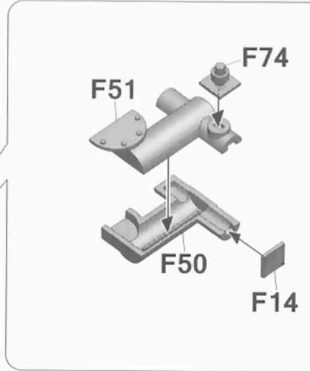
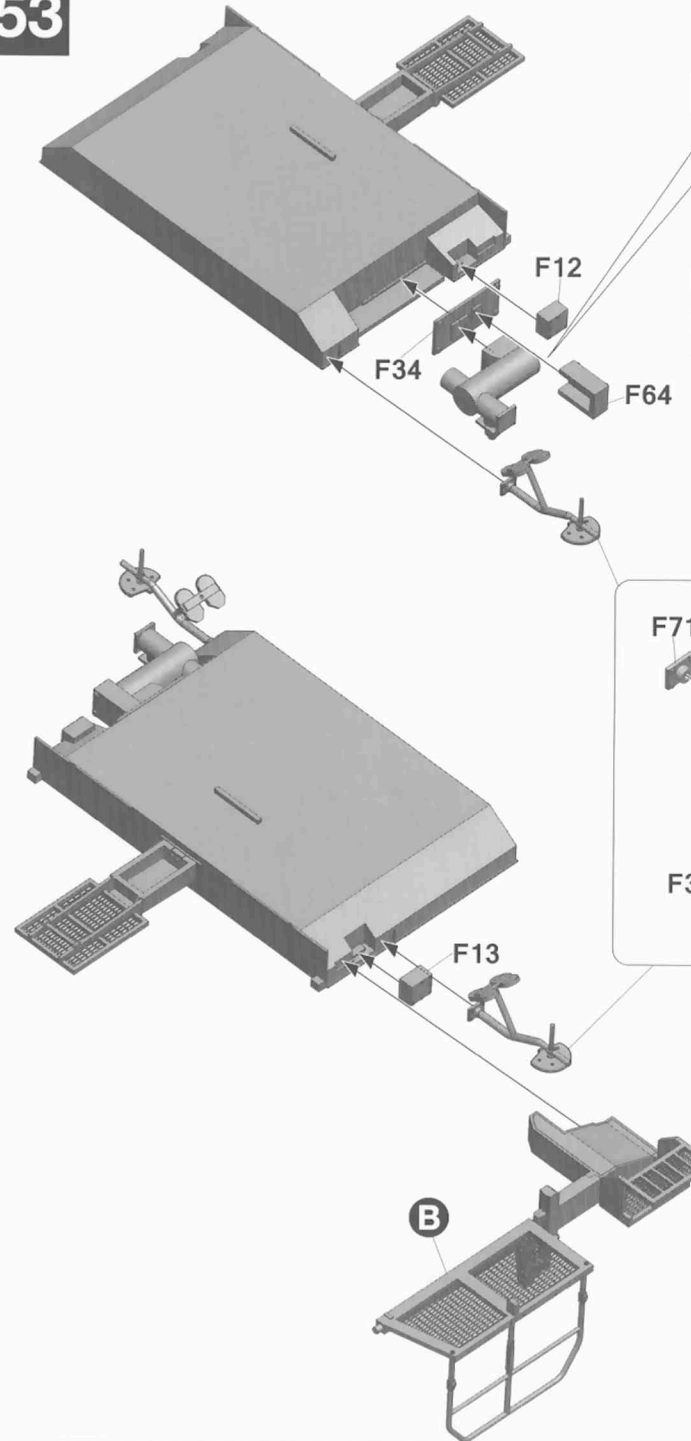
52



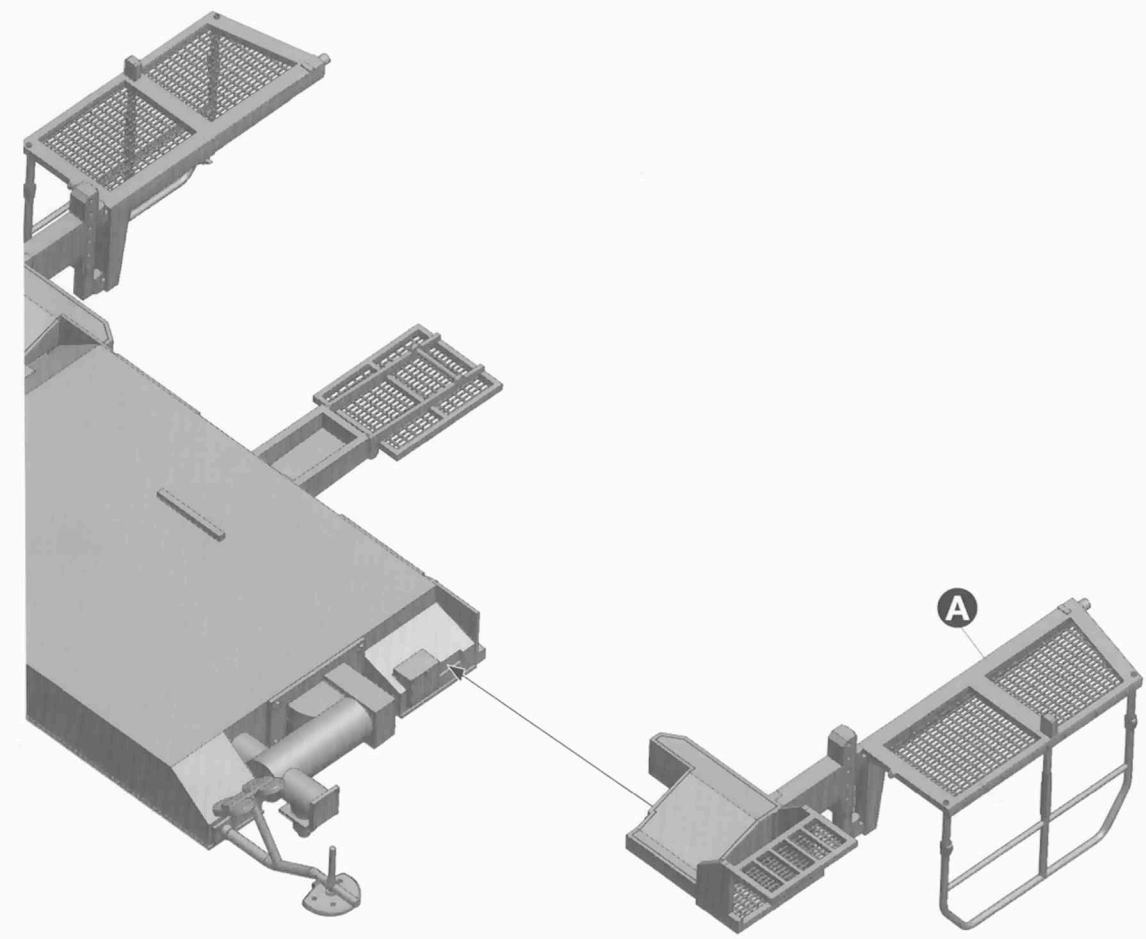
B



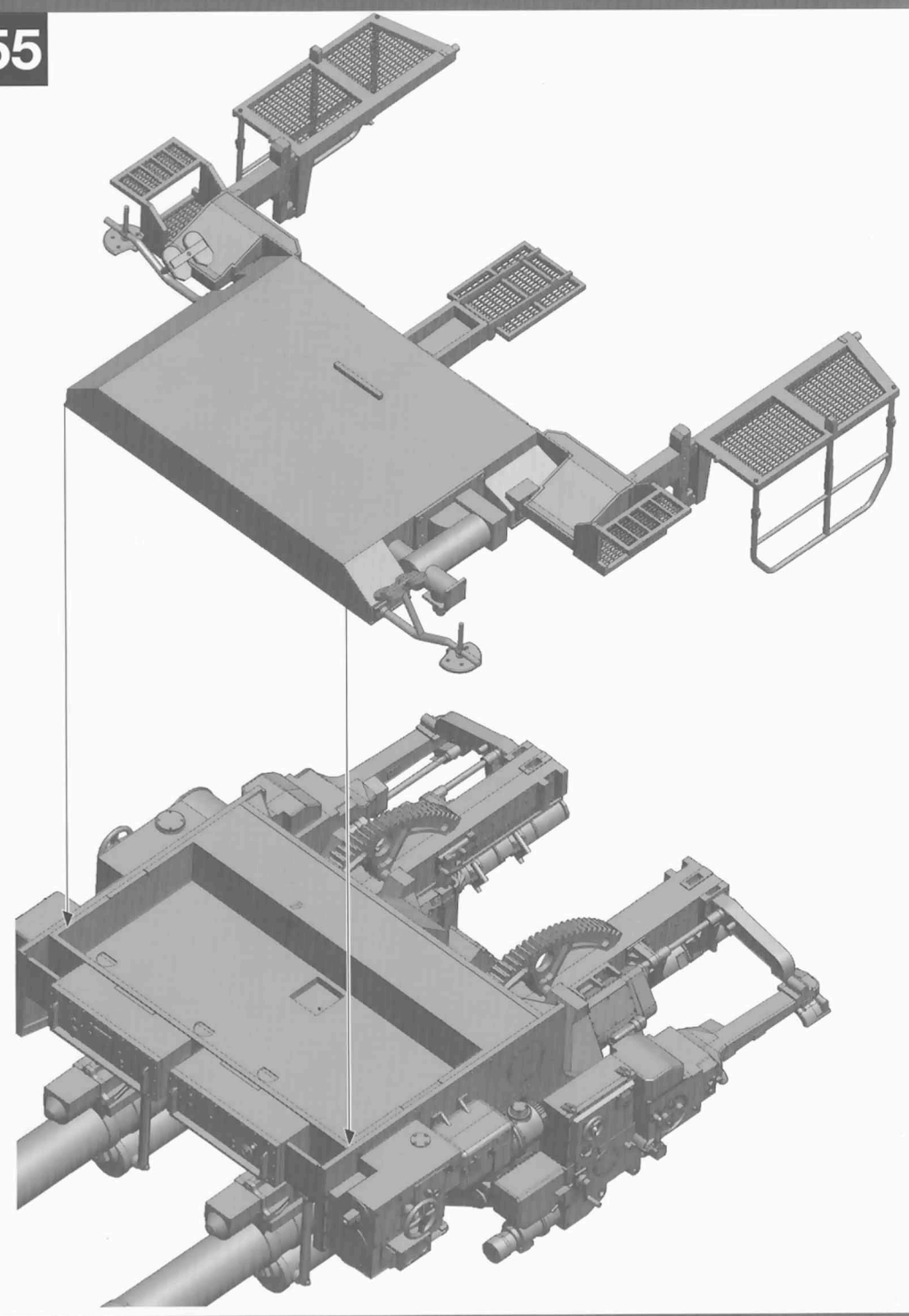
53

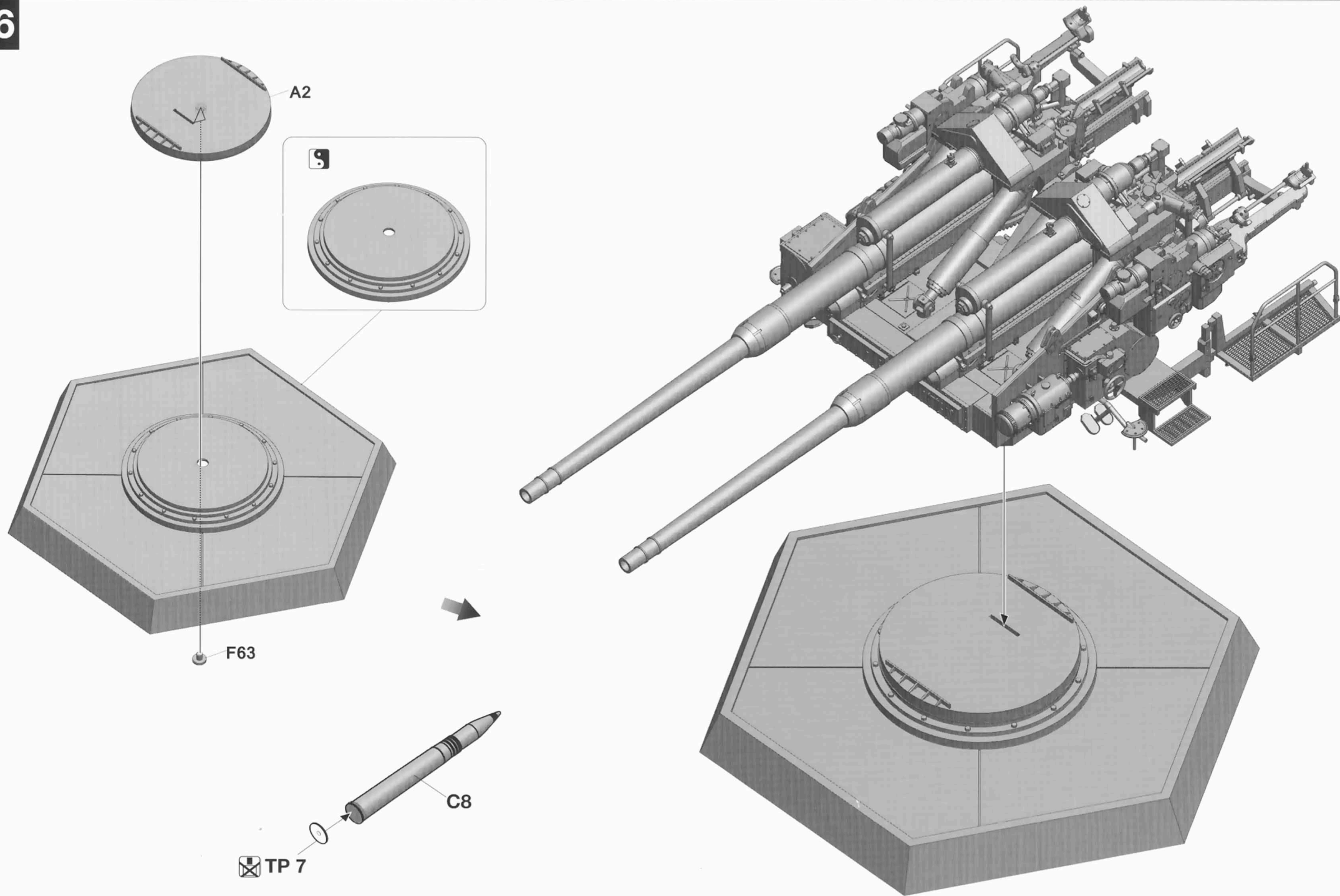


54



55



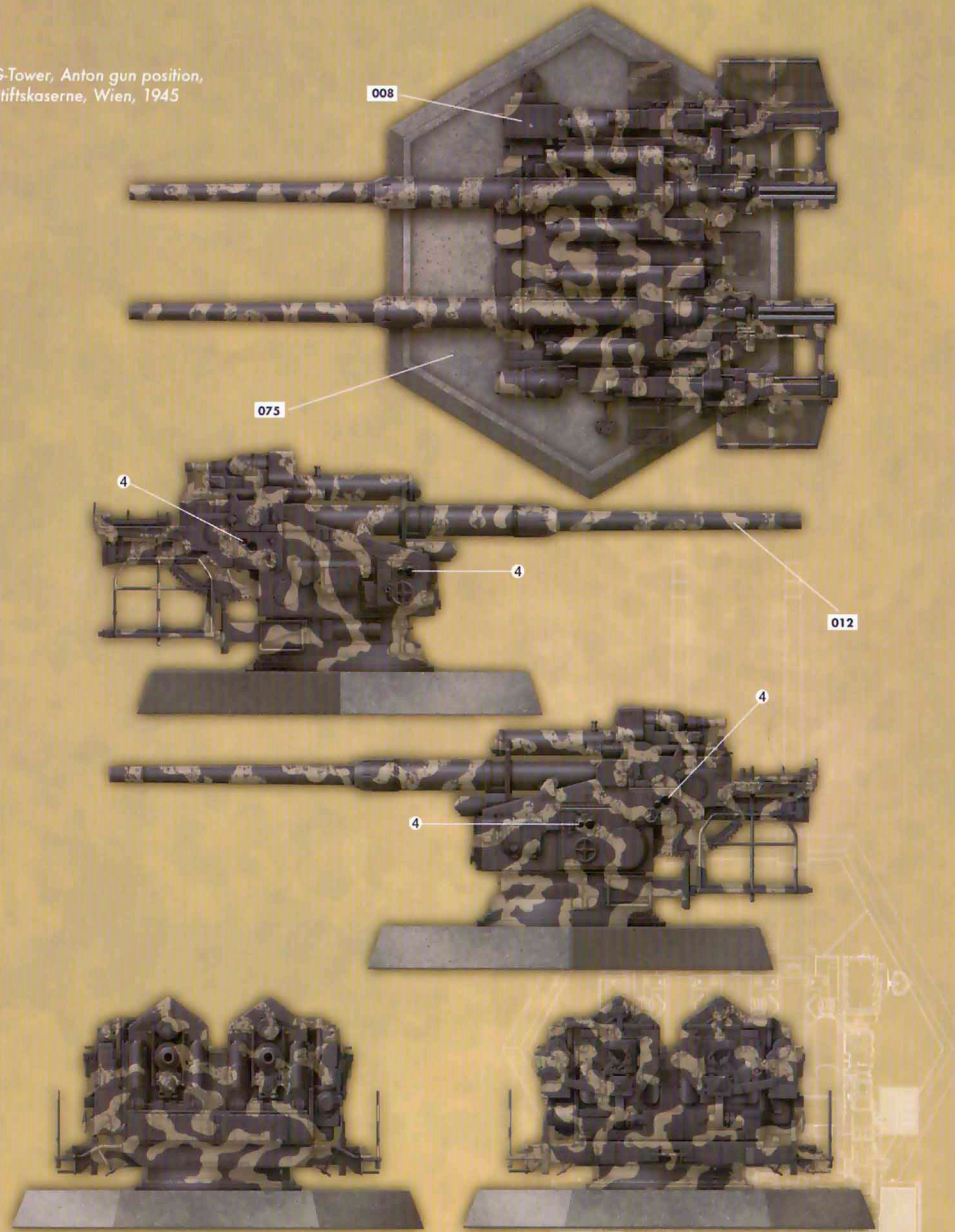


12.8 cm Flak 40 Zwilling

Painting and Marking Guide

A.MIG 008 Dinkel Grau A.MIG 075 Stone Grey A.MIG 012 Dunkelgelb

G-Tower, Anton gun position, Stiftskaserne, Wien, 1945



TAKOM

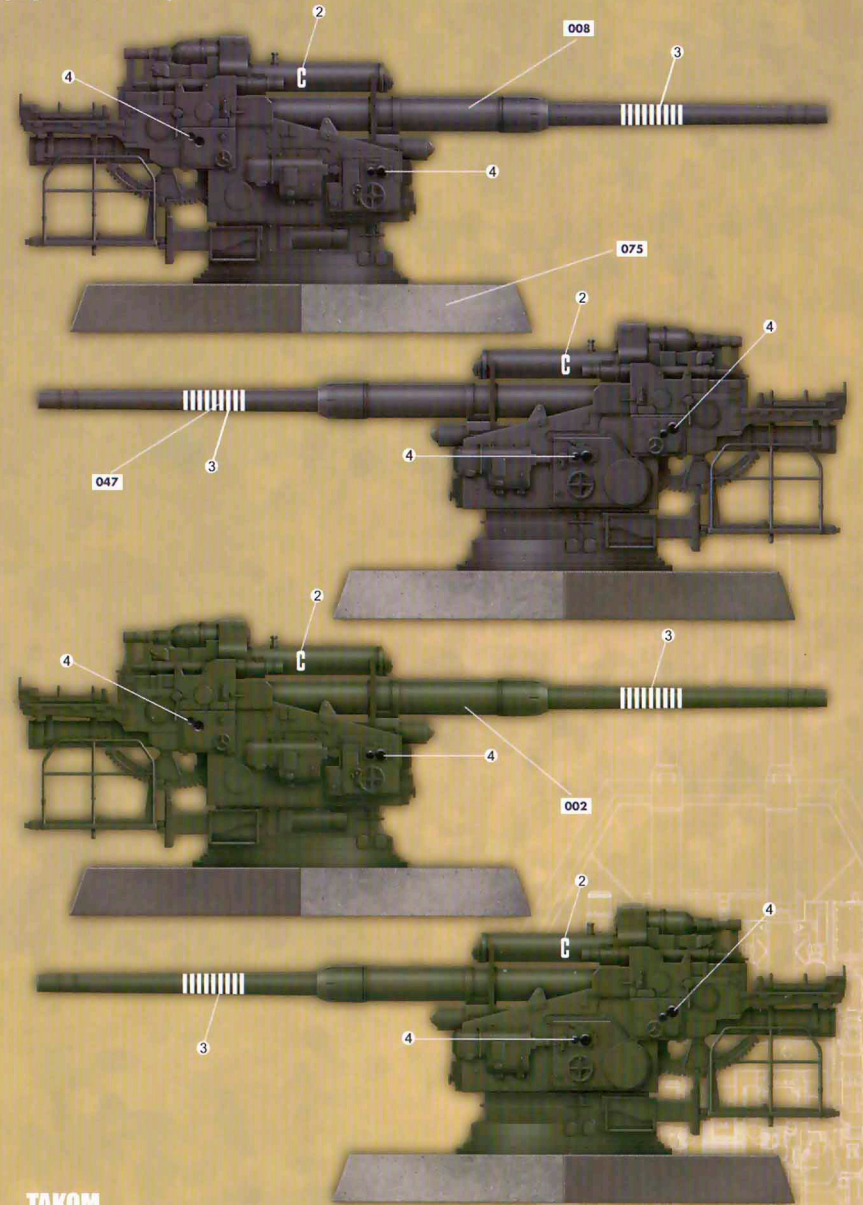
12.8 cm Flak 40 Zwilling. Ref. 2023

12.8 cm Flak 40 Zwilling

Painting and Marking Guide

A.MIG 008 Dinkel Grau A.MIG 075 Stone Grey A.MIG 047 White A.MIG 002 Olivgrün

G-Tower, Casar gun position, Heiligengeistfeld, Hamburg, 1945



TAKOM

12.8 cm Flak 40 Zwilling. Ref. 2023

12.8 cm Flak 40 Zwilling

Painting and Marking Guide

A.MIG 008 Dunkel Grau

A.MIG 075 StoneGrey

G-Tower, Casar gun position, Tiergarten(Zoo), Berlin, 1945

