

Powered by a 60hp engine, the U.S. Army 1/4-ton trucks were wildly popular off-road capable light utility vehicles, built in large numbers to a standardized design from 1941 to 1945, for the Allied forces in World War II. With an operational range of 300 miles, the 1/4-ton truck became the primary light wheeled transport vehicle of the United States military and its allies in World War II, as well as the postwar period. About 650,000 units were built, constituting a quarter of the total U.S. non-combat motor vehicles produced during the war, with large numbers being provided to U.S. allies.

READ BEFORE ASSEMBLY

CAUTION

- Read carefully and fully understand the instructions before commencing assembly. A supervising adult should also read the instructions if a child assembles the model.
- When assembling this kit, tools including knives used. Extra care should be taken to avoid personal injury.
- Keep out of reach of small children. Children must not be allowed to suck any part, or pull vinyl bag over their heads.



Remove



Instant Glue for Metal



Drill



Fill Holes

PAINTS REQUIRED

Color info and profiles by Mig Jimenez

A.MIG-0046 Matt Black

A.MIG-0033 Rubber & Tires

A.MIG-0045 Gun Metal

A.MIG-0037 New Wood

A.MIG-0195 Silver

A.MIG-0094 Crystal Glass

A.MIG-0093 Crystal Red

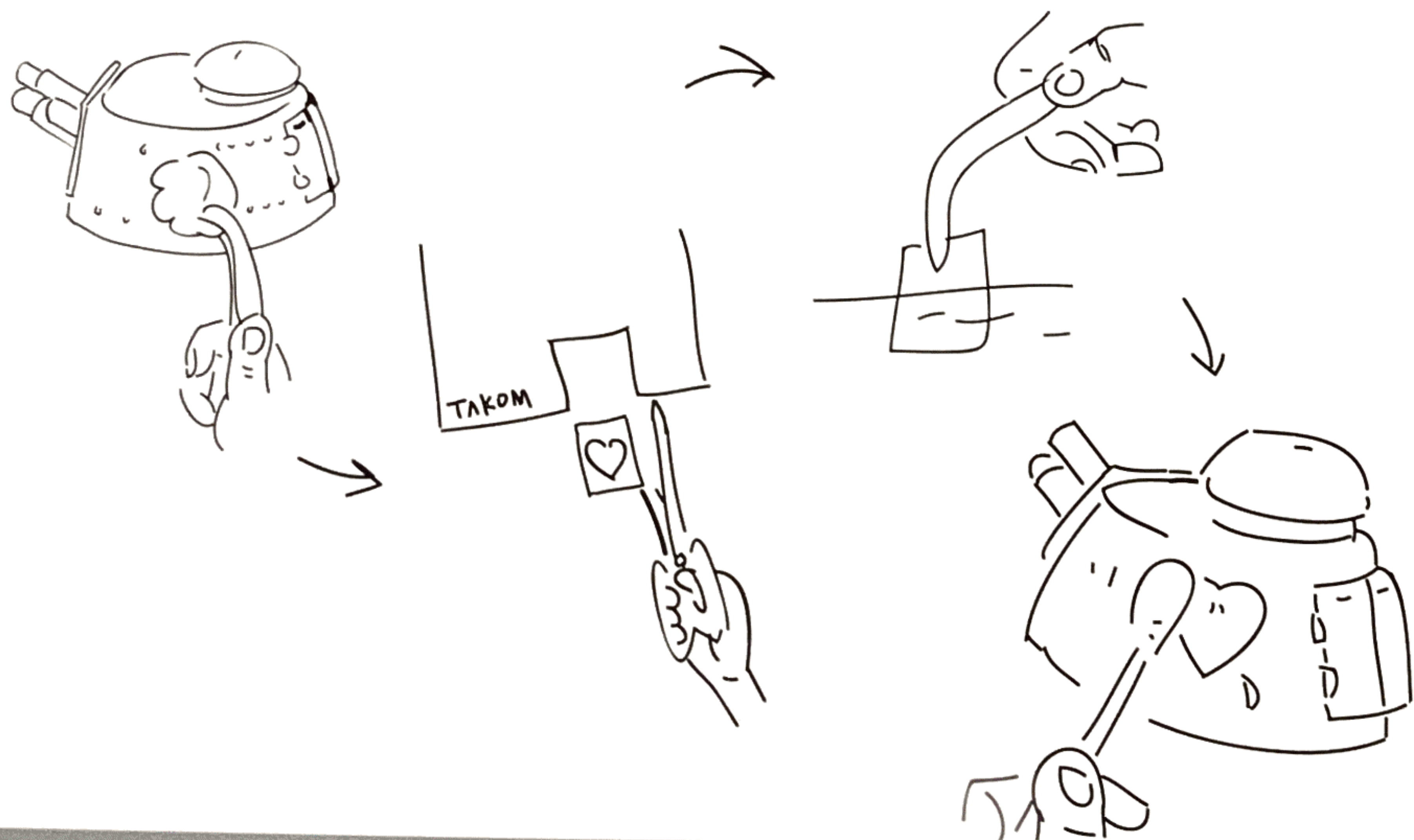
A.MIG-0926 Olive Drab Base

A.MIG-0927 Olive Drab Light Base

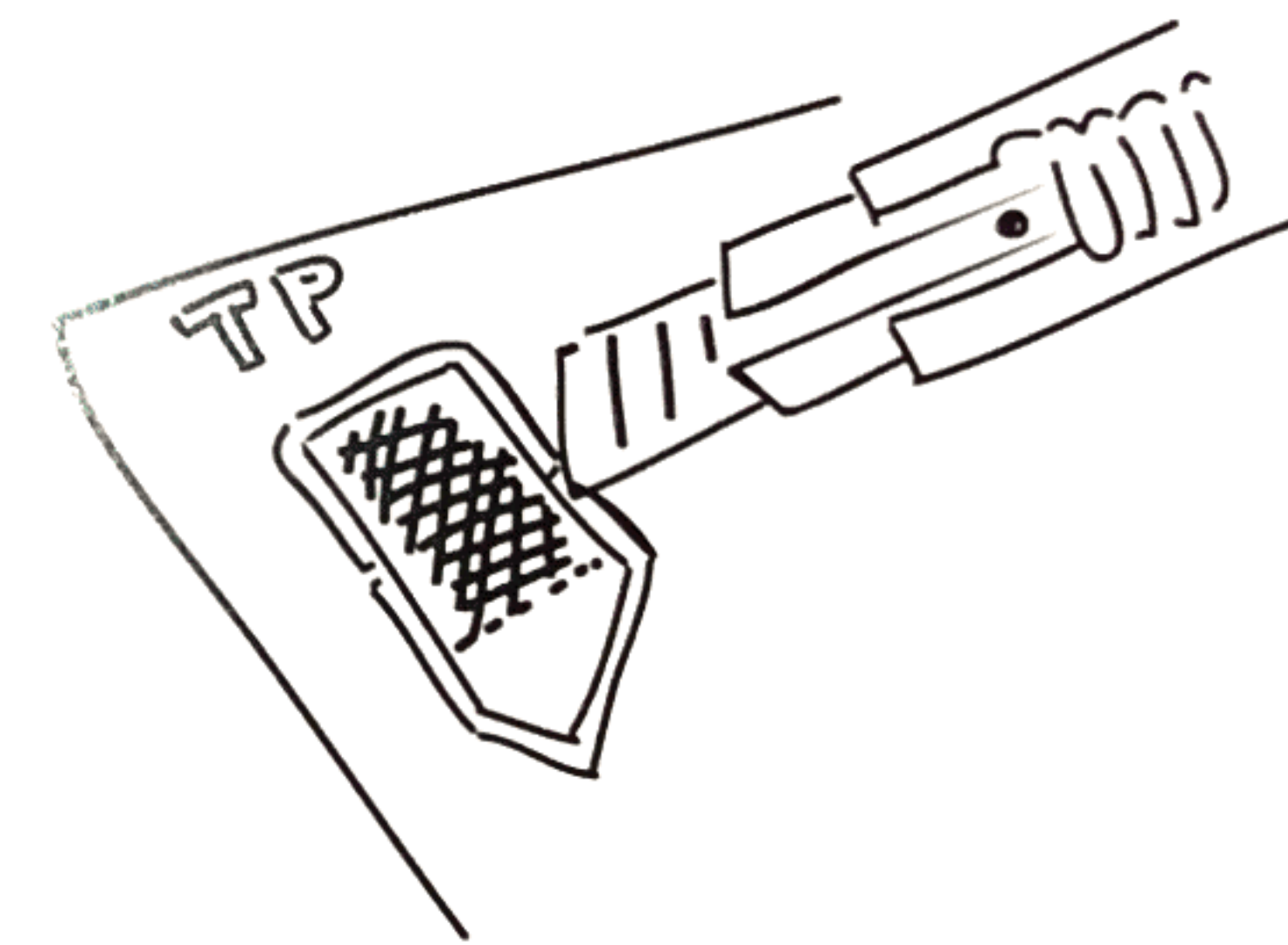
A.MIG-0024 Washable White Camo

APPLYING DECALS

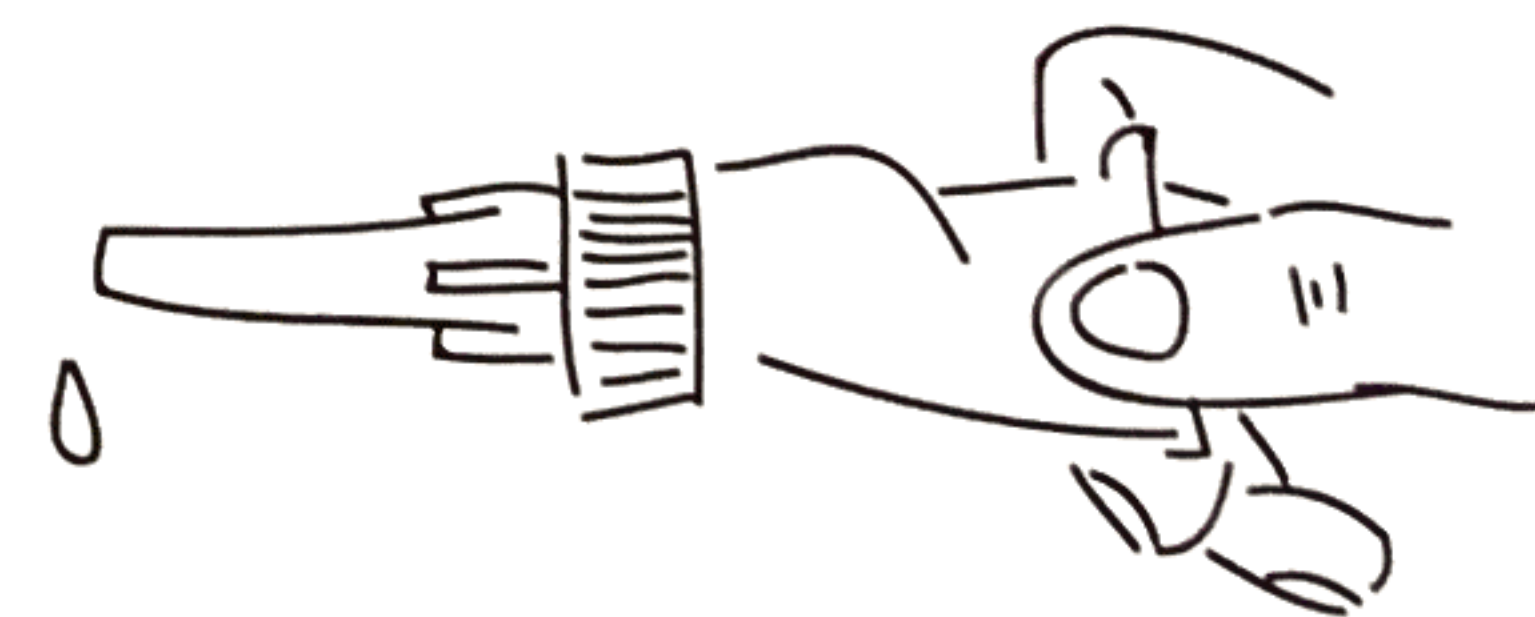
1. Clean the model surface with a wet cloth.
2. Cut out each decal design from sheet, and dip it in tepid water for 15~20 sec.
3. Hold the backing sheet edge and slide decal onto the model.
4. Move decal into position by wetting decal with finger.
5. Press decal gently down with a soft cloth until excess water and air bubbles are gone.



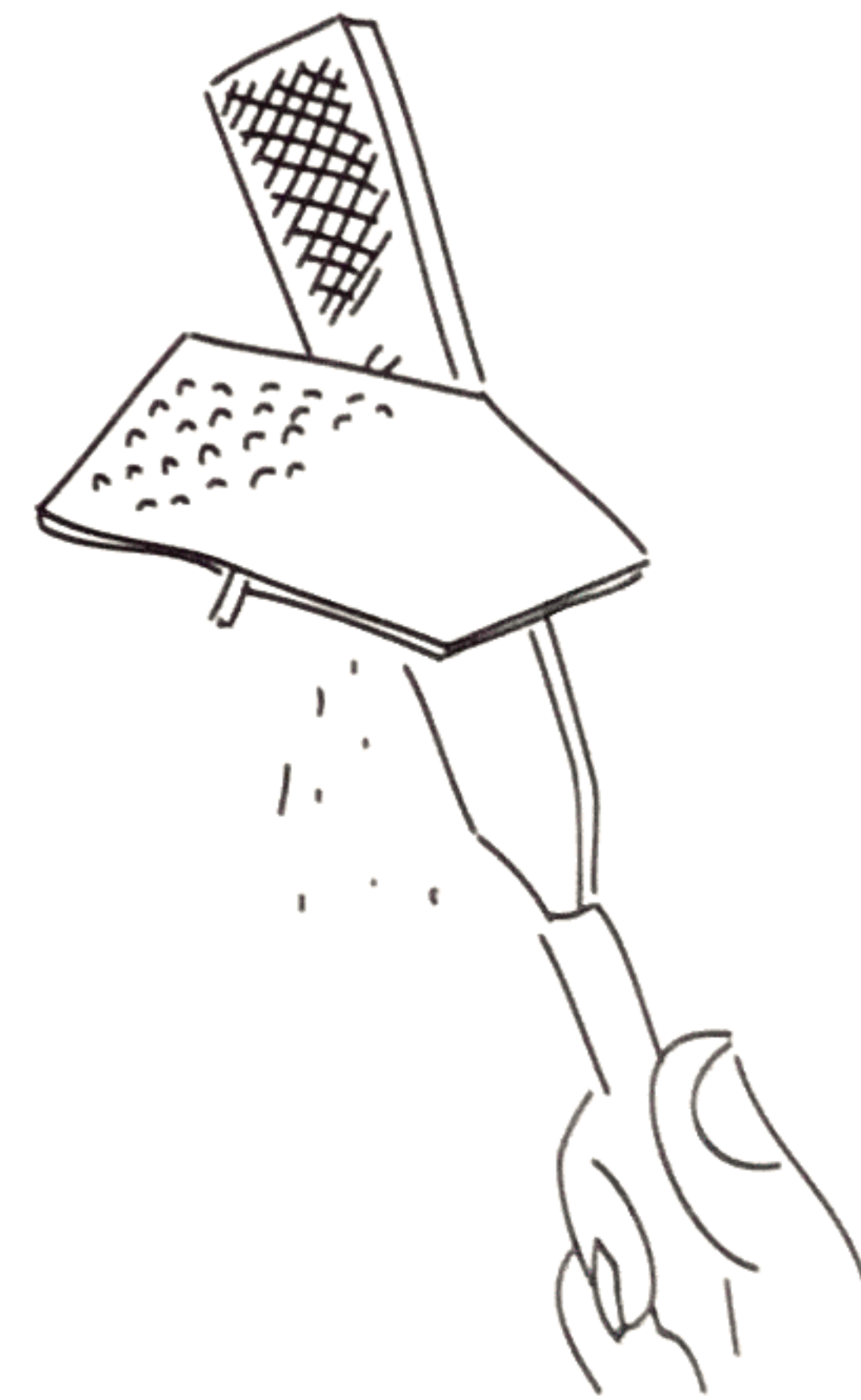
REMOVING PE



Be careful not to hurt when removing PE parts.

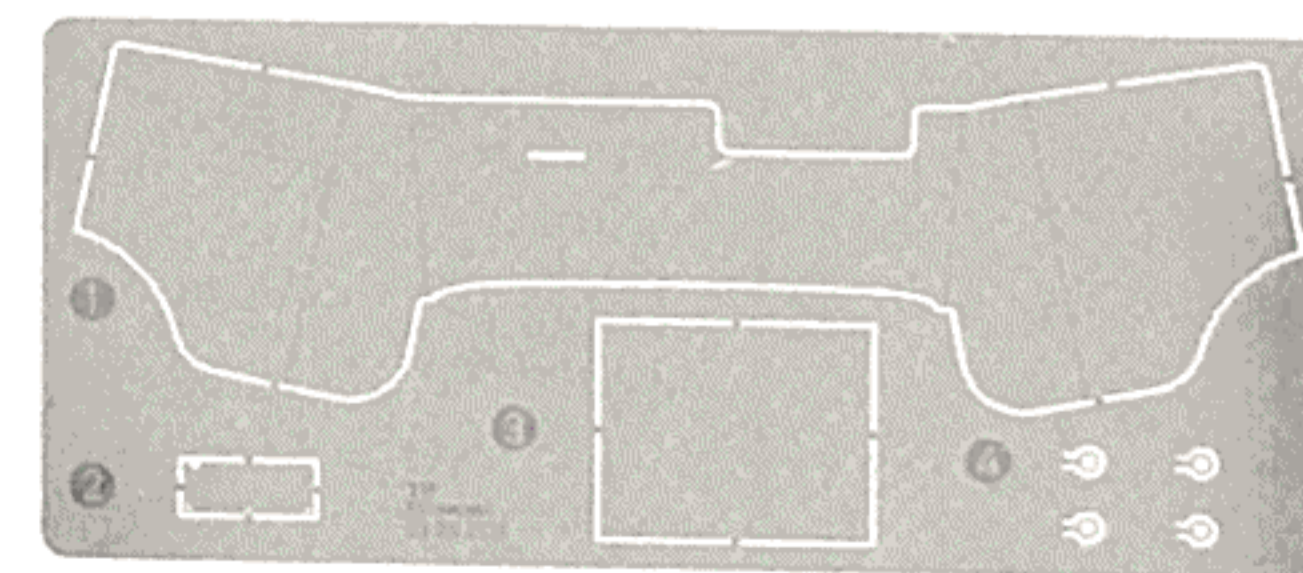
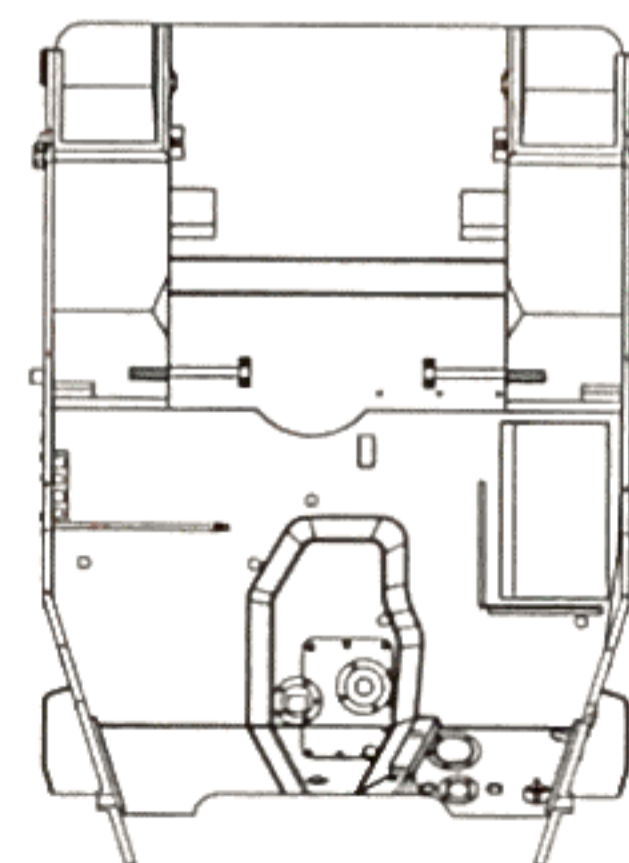
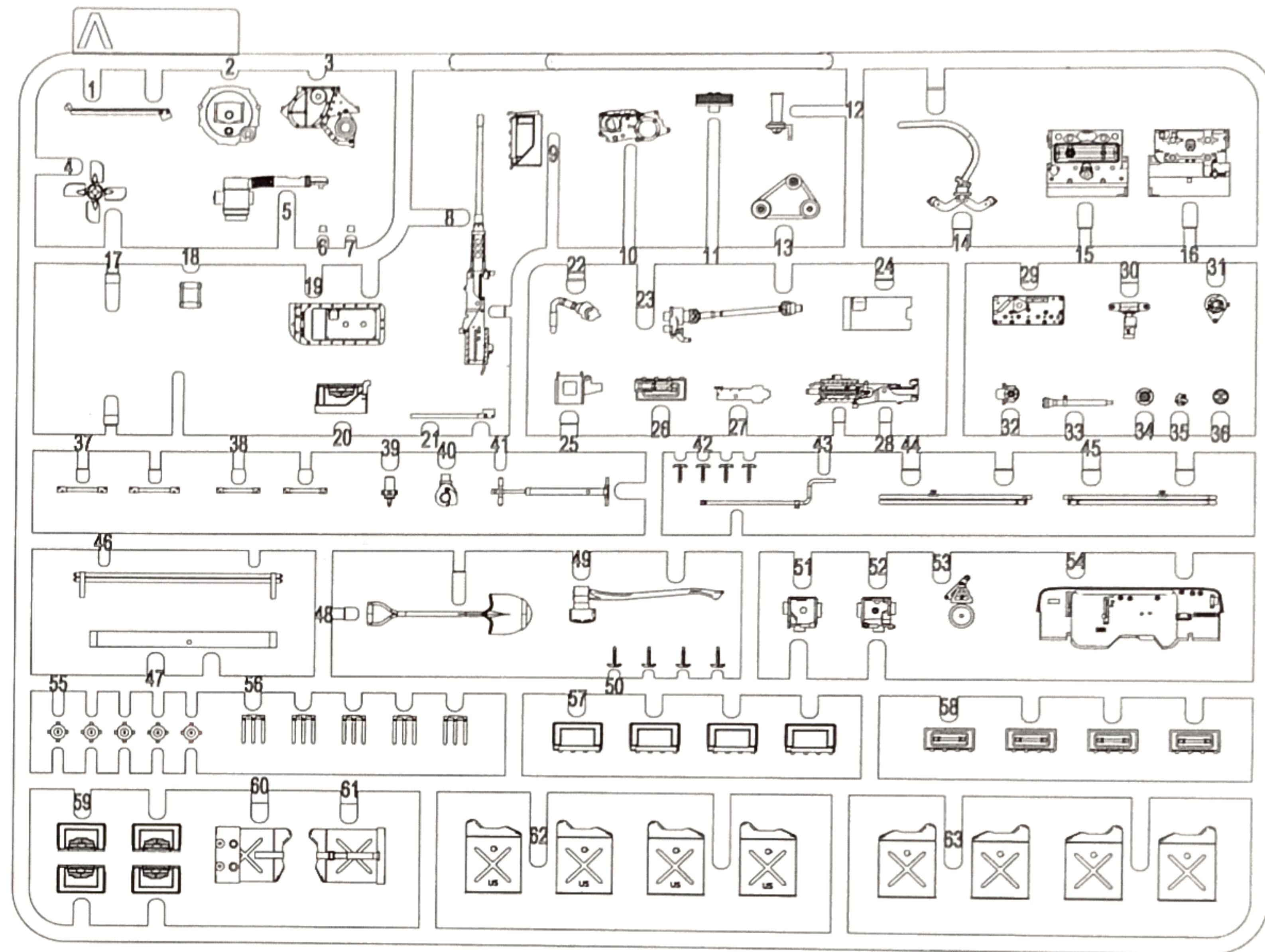
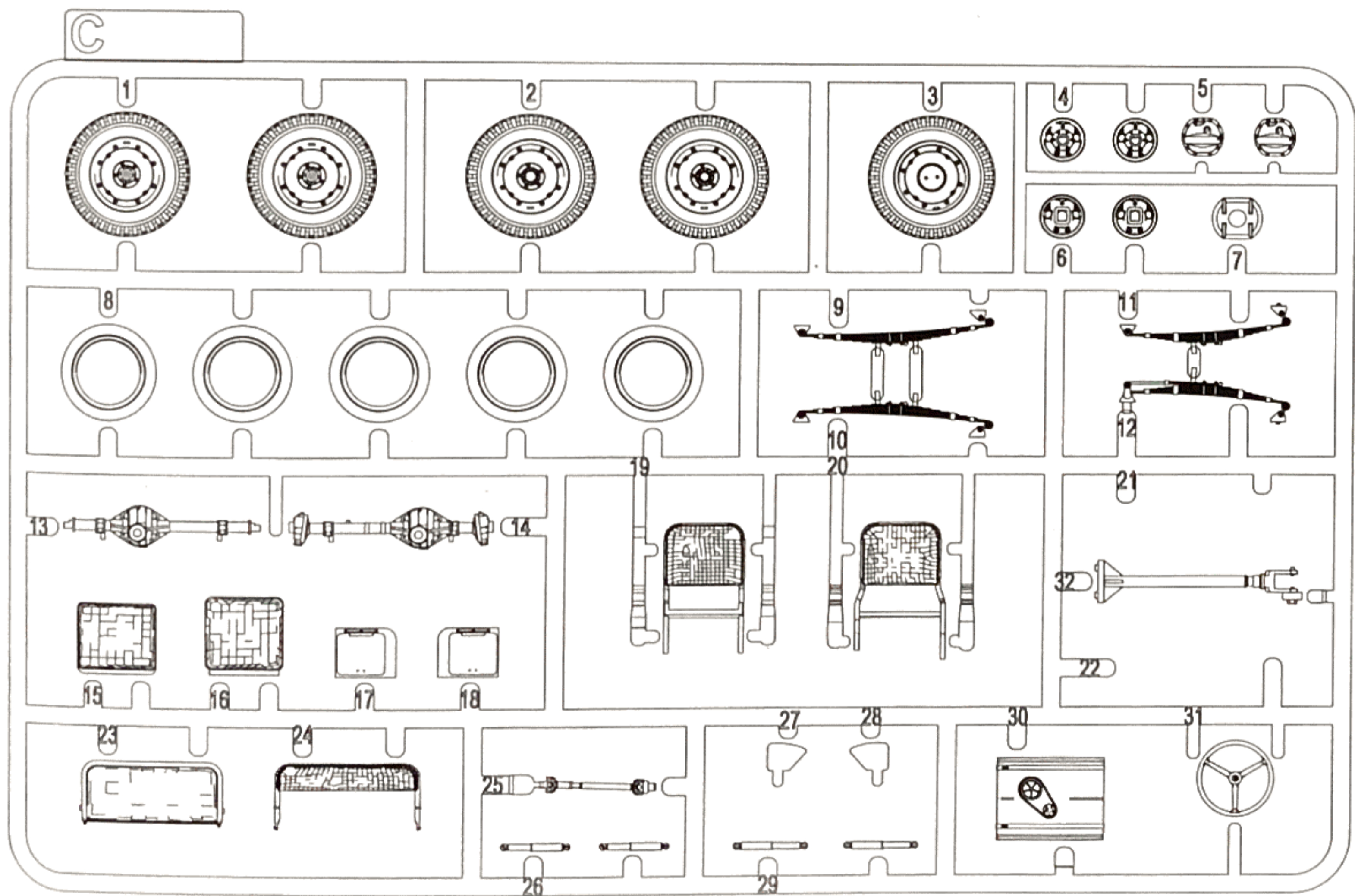
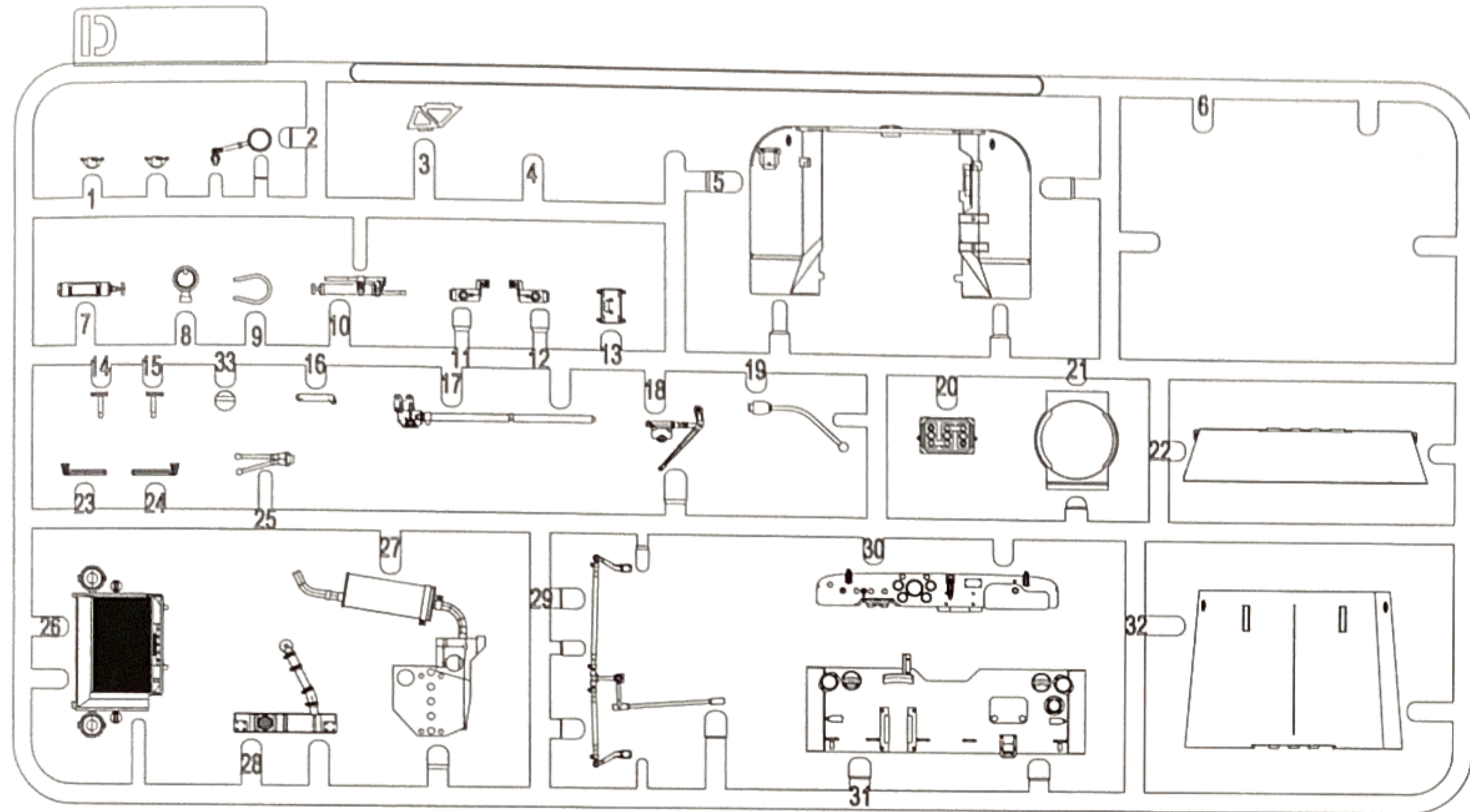


Secure using instant glue (not included).

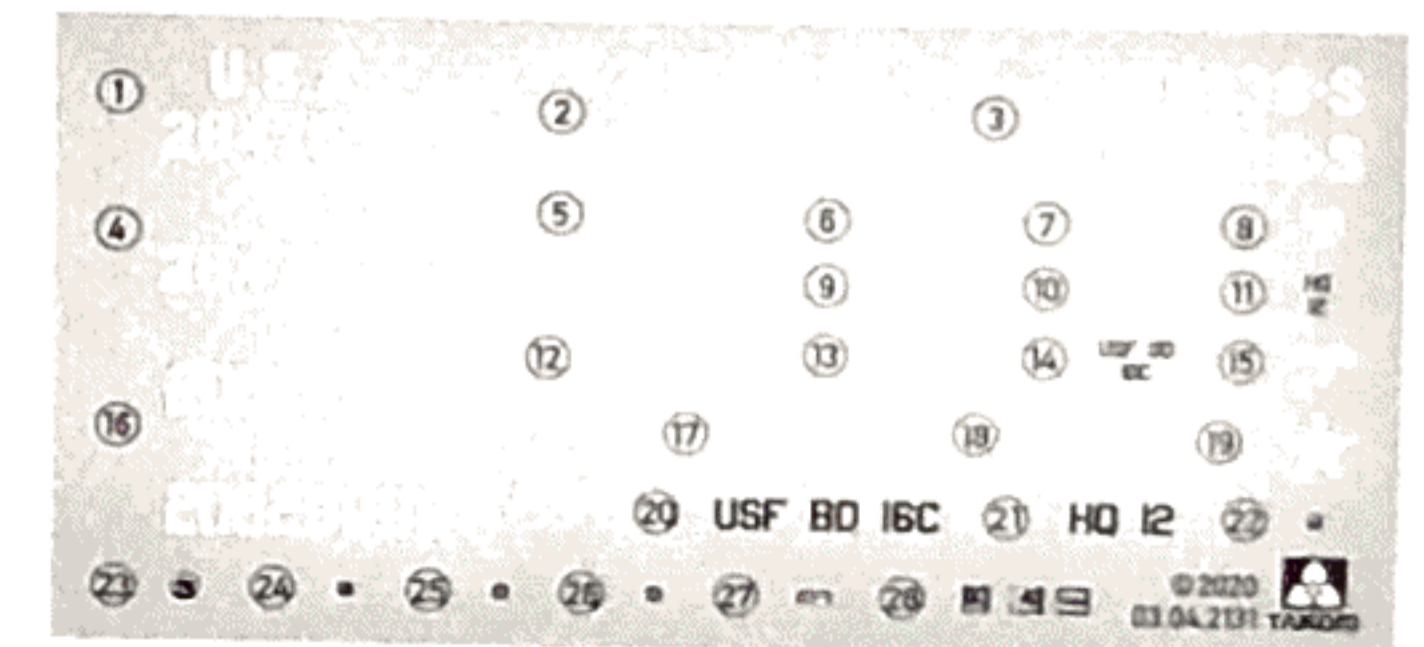
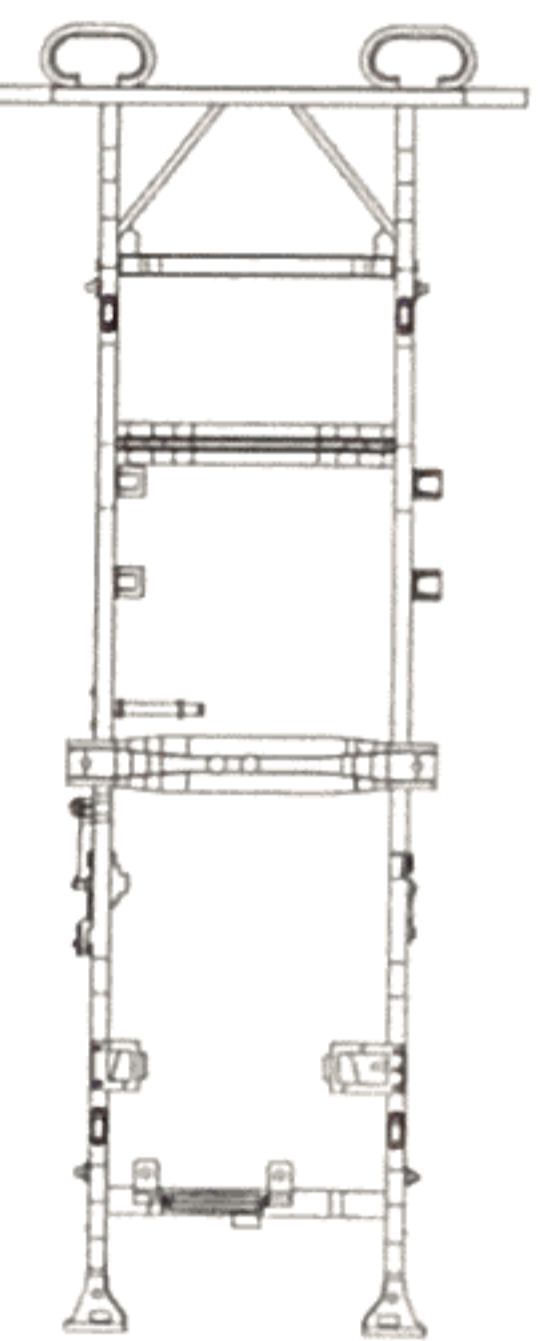
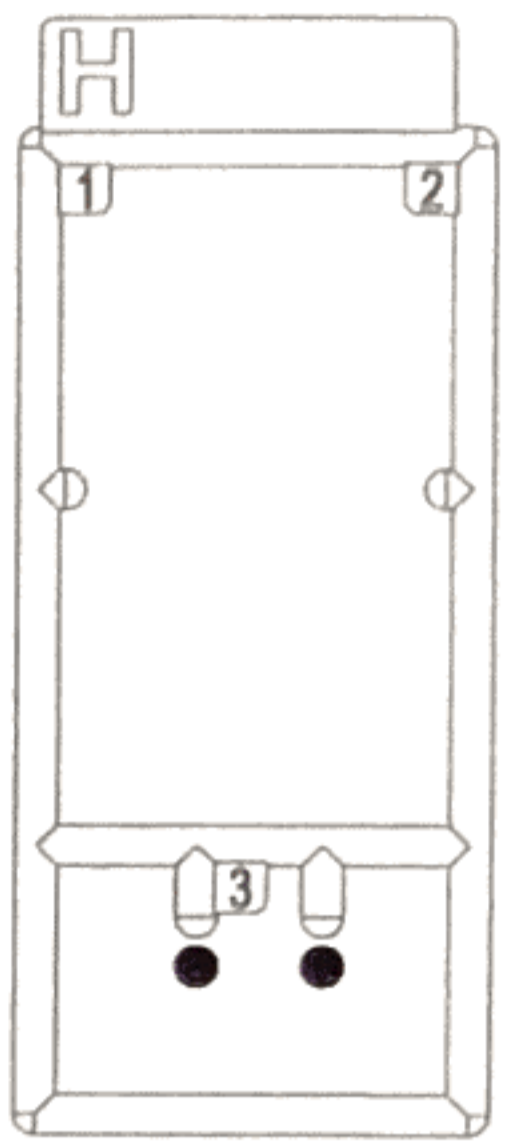


Finish using file.

PARTS

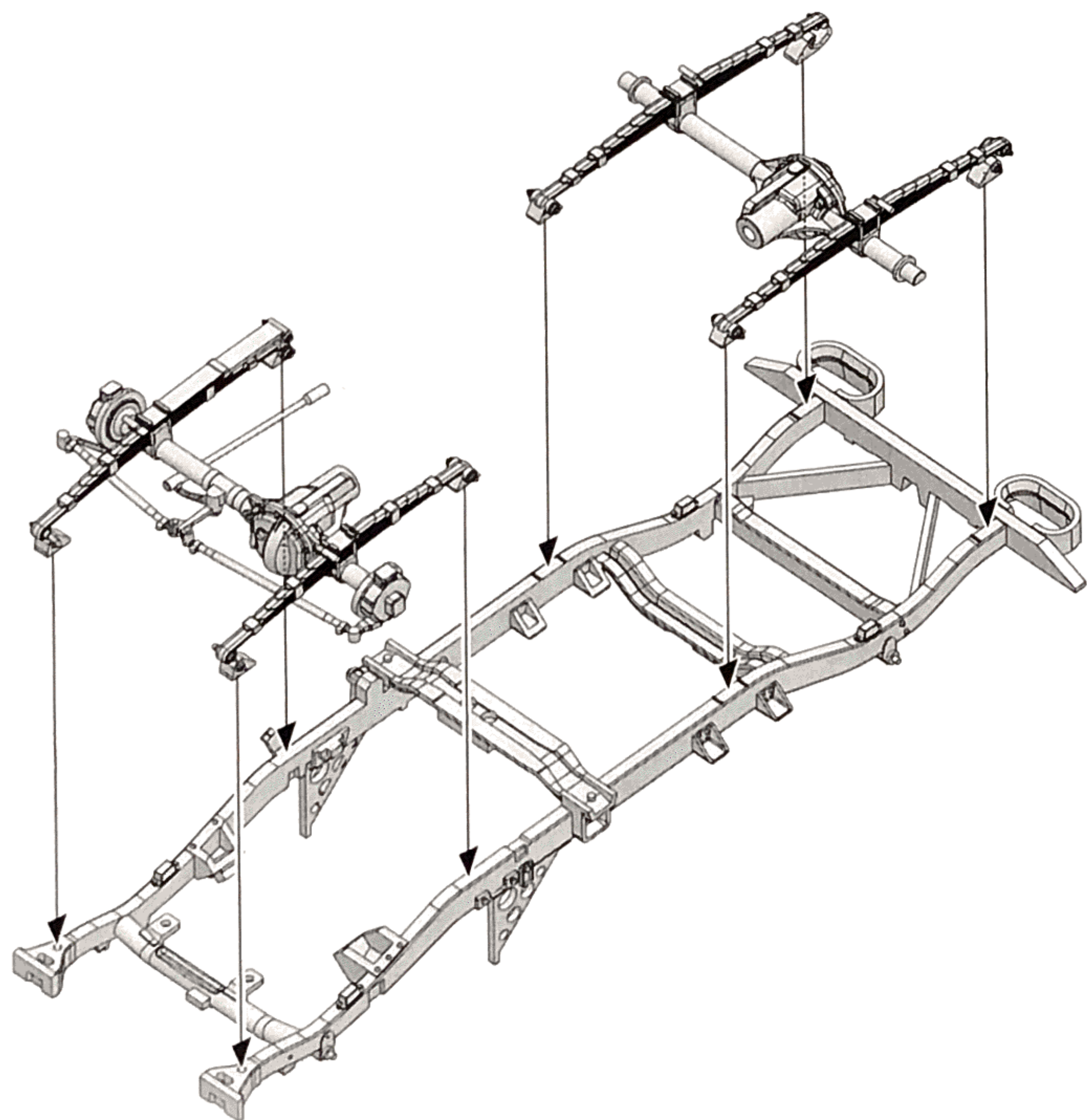
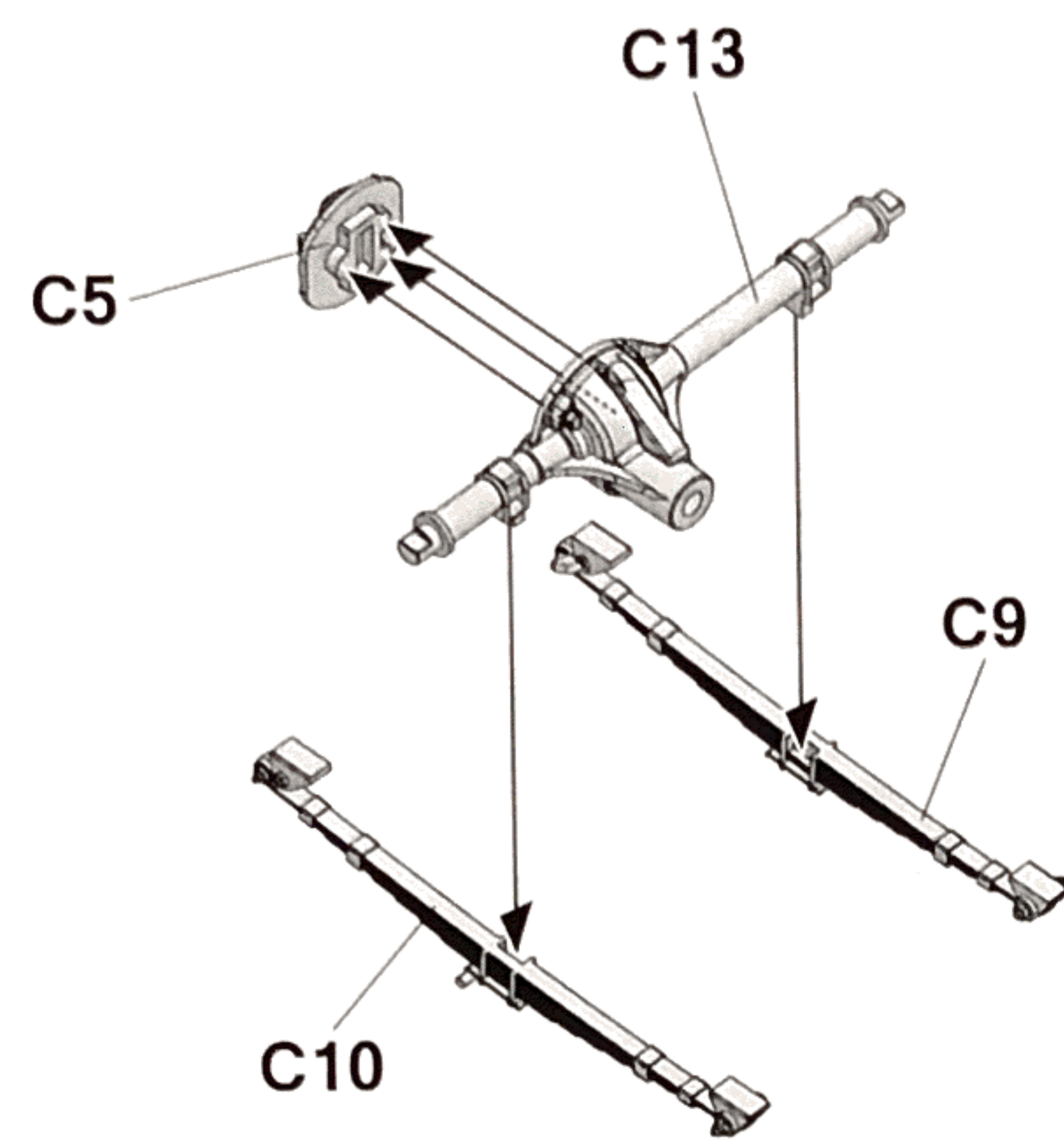
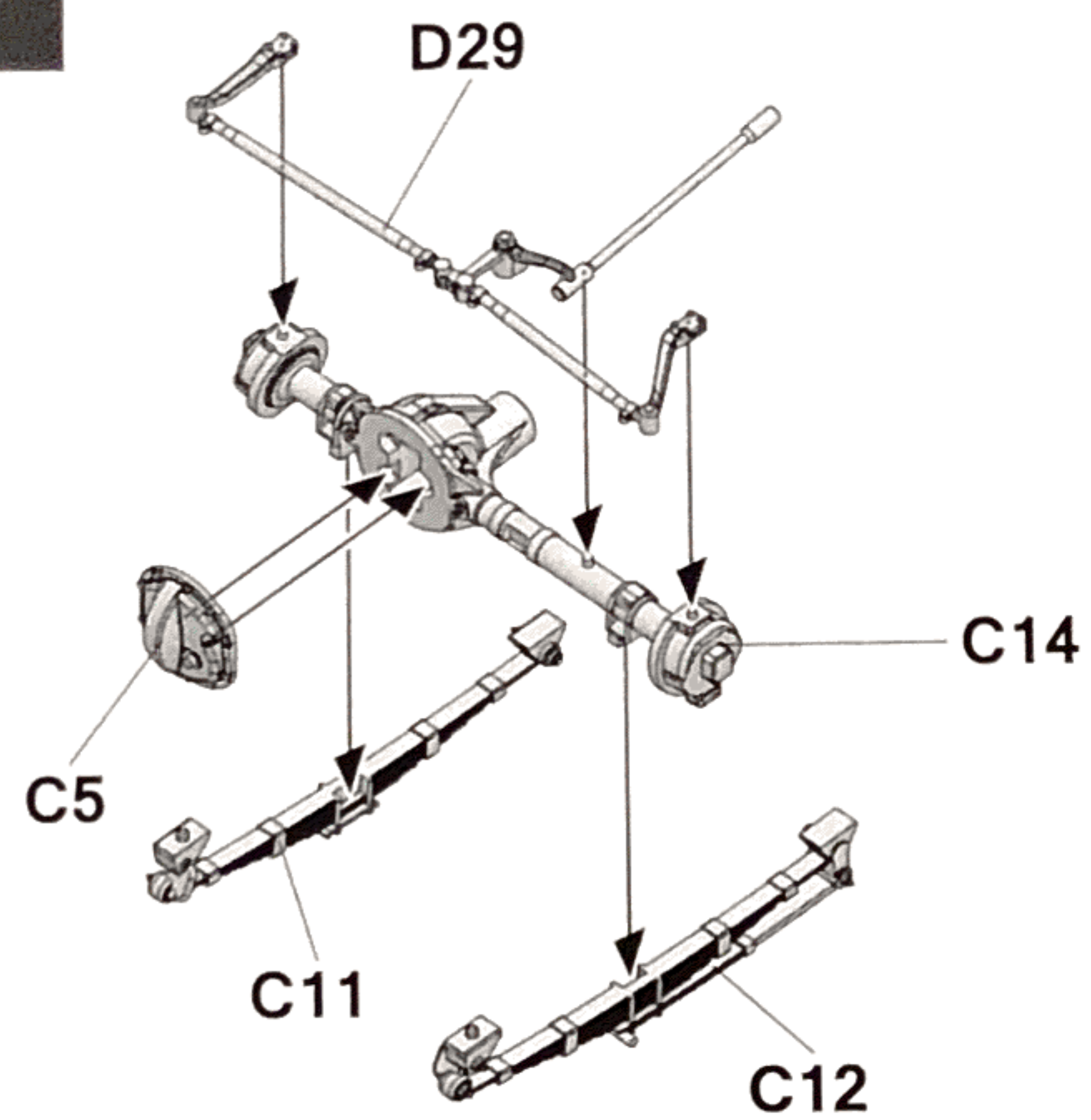


TP

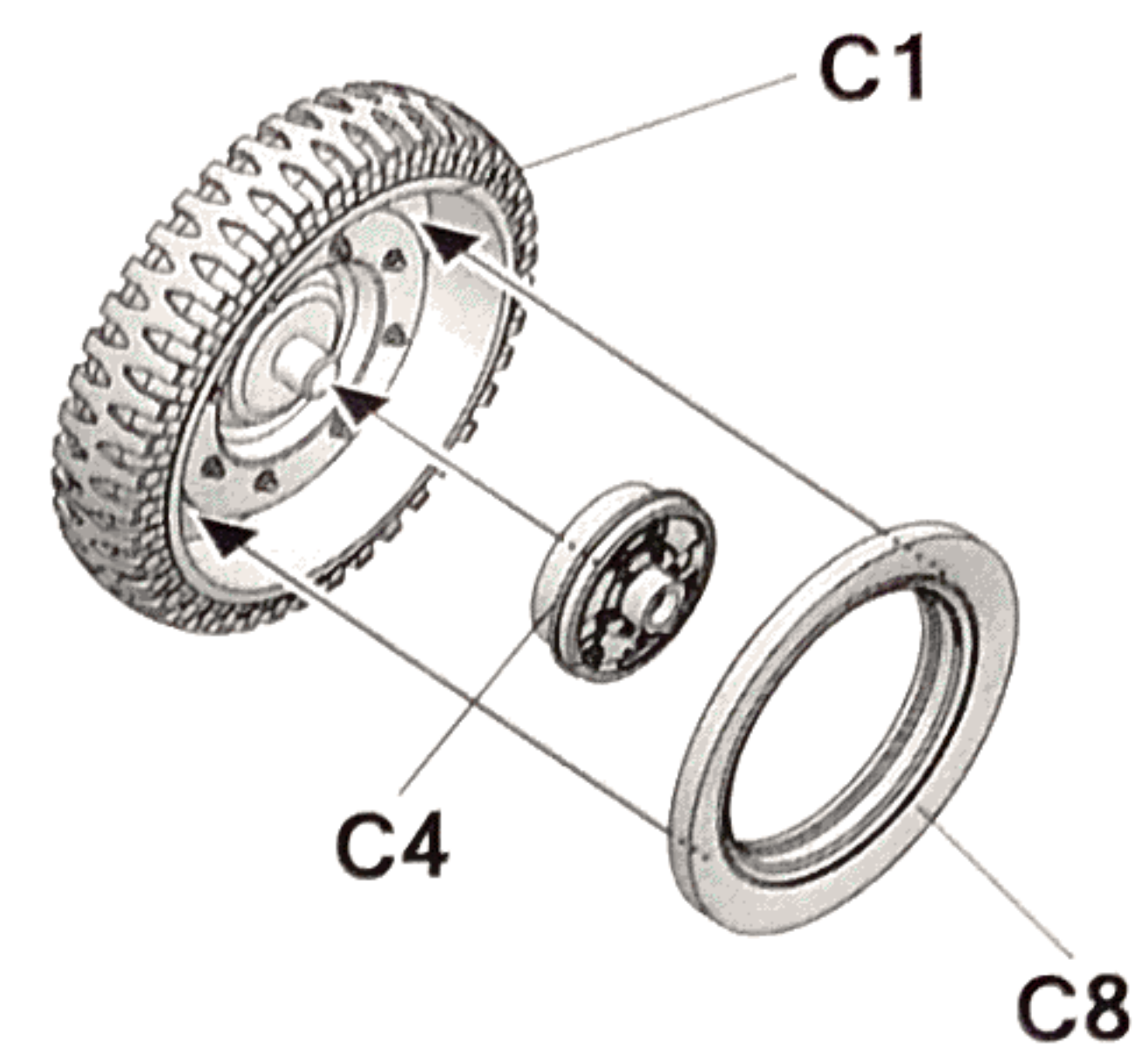


Decal

1

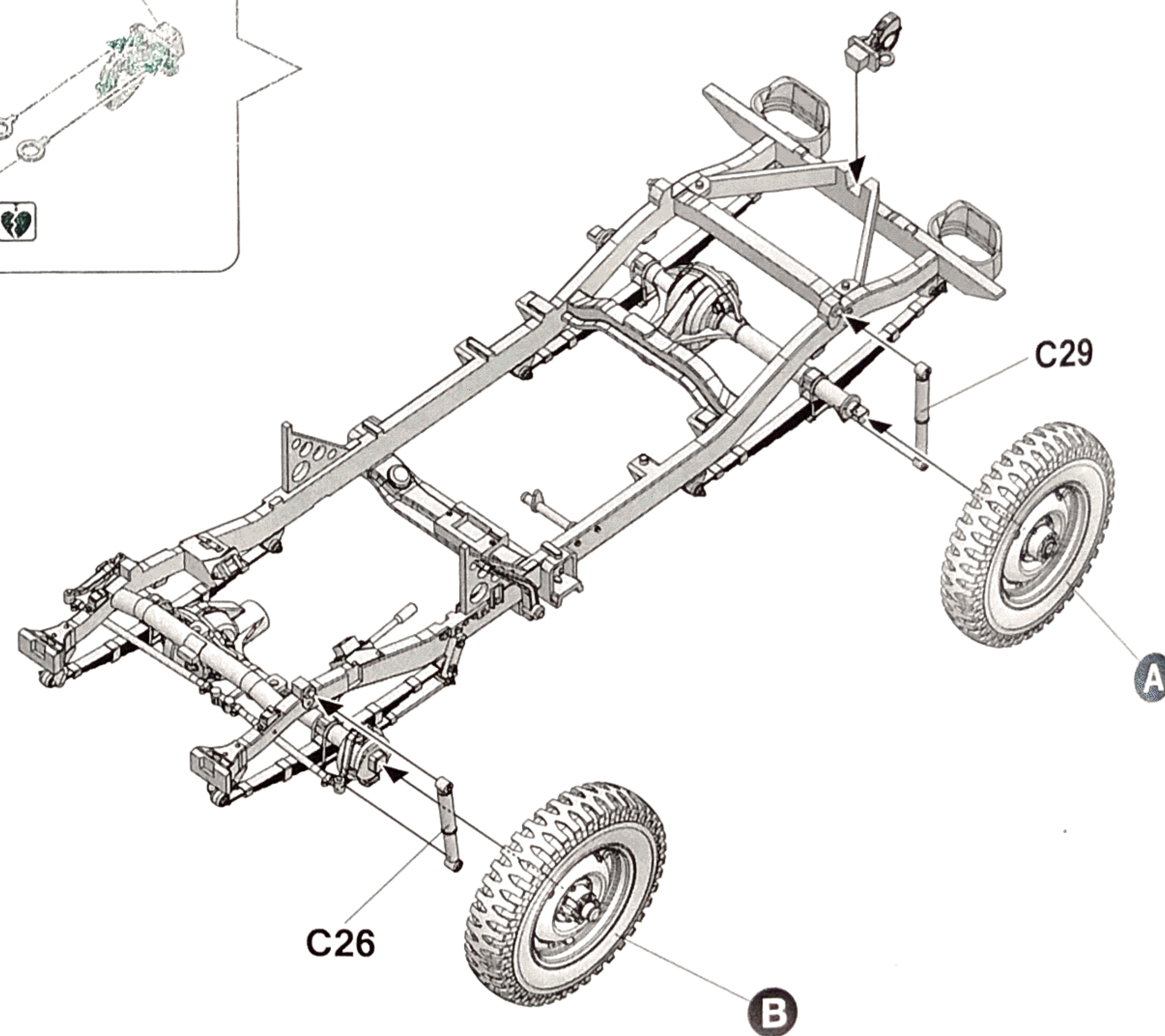
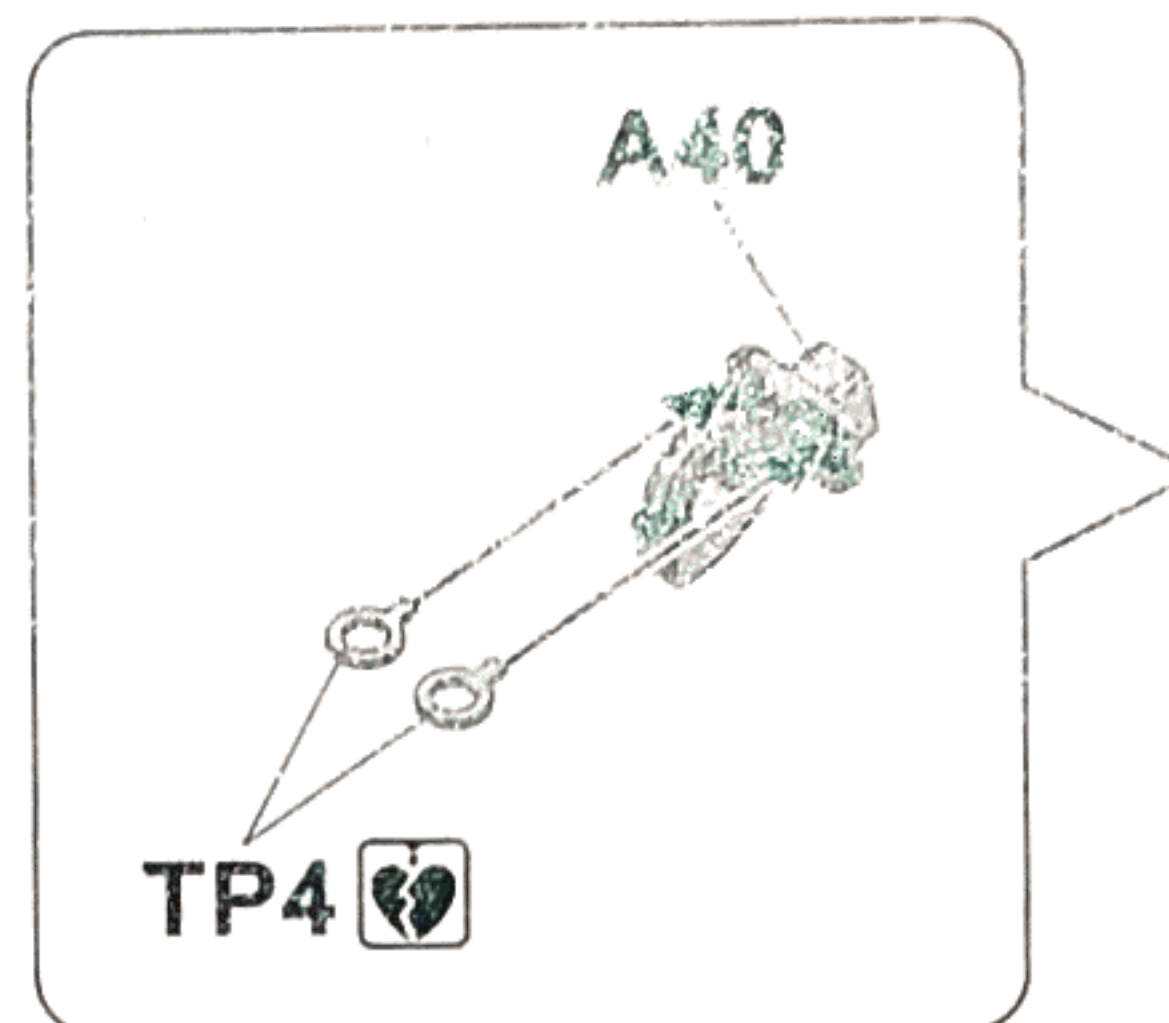
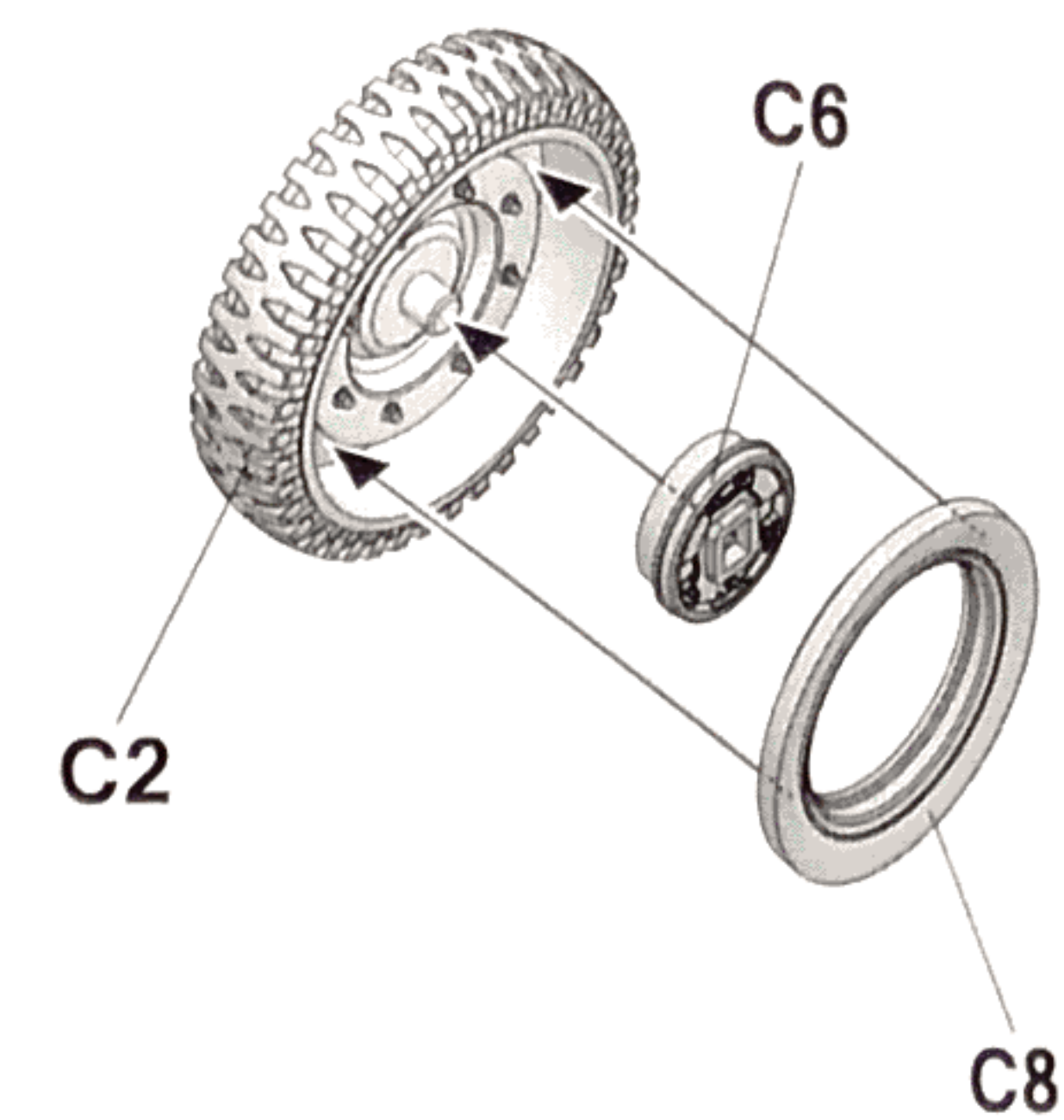


2



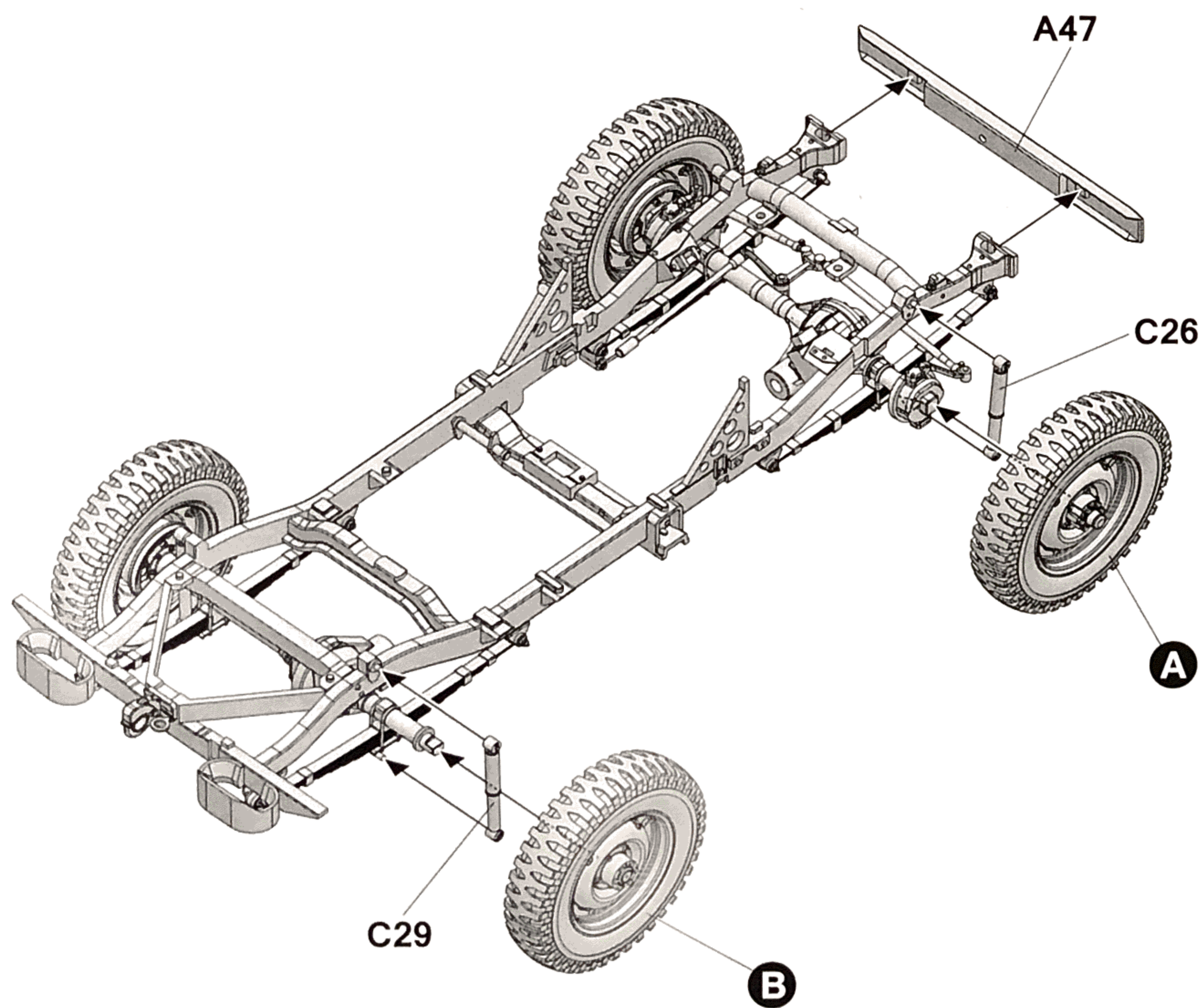
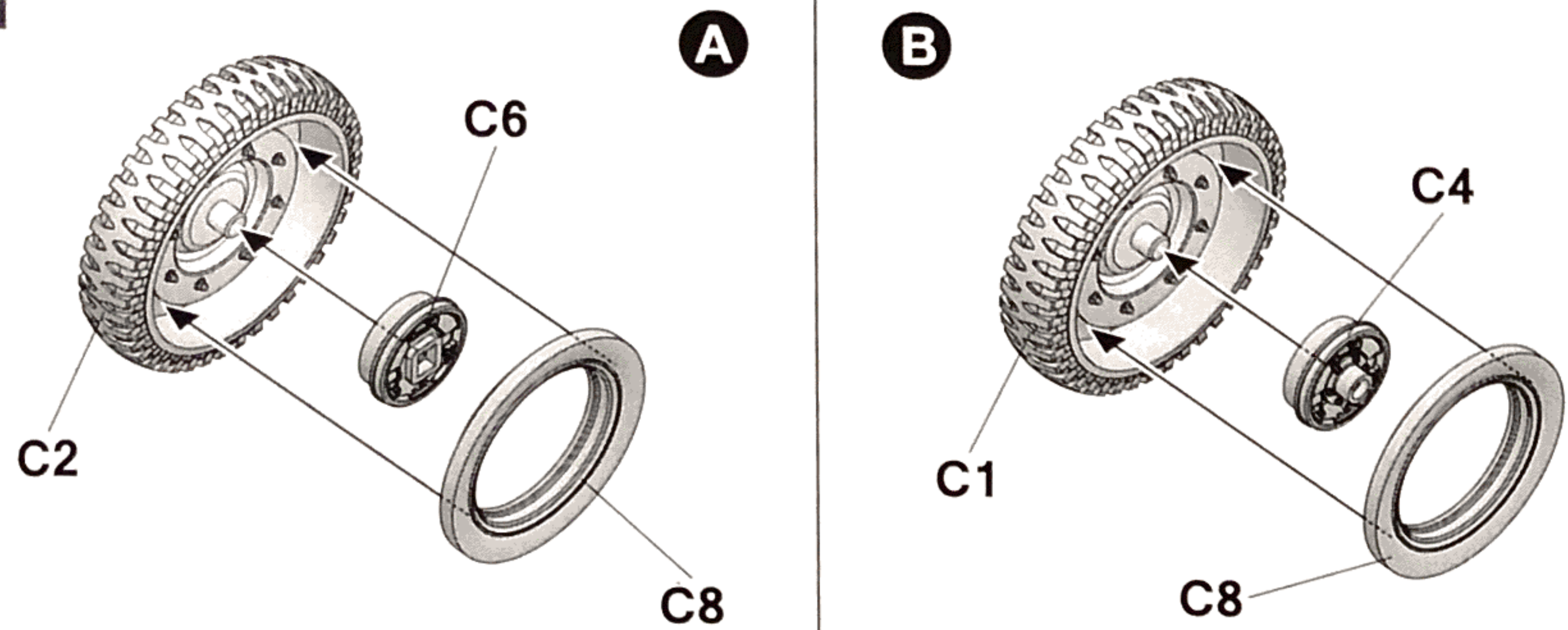
A

B

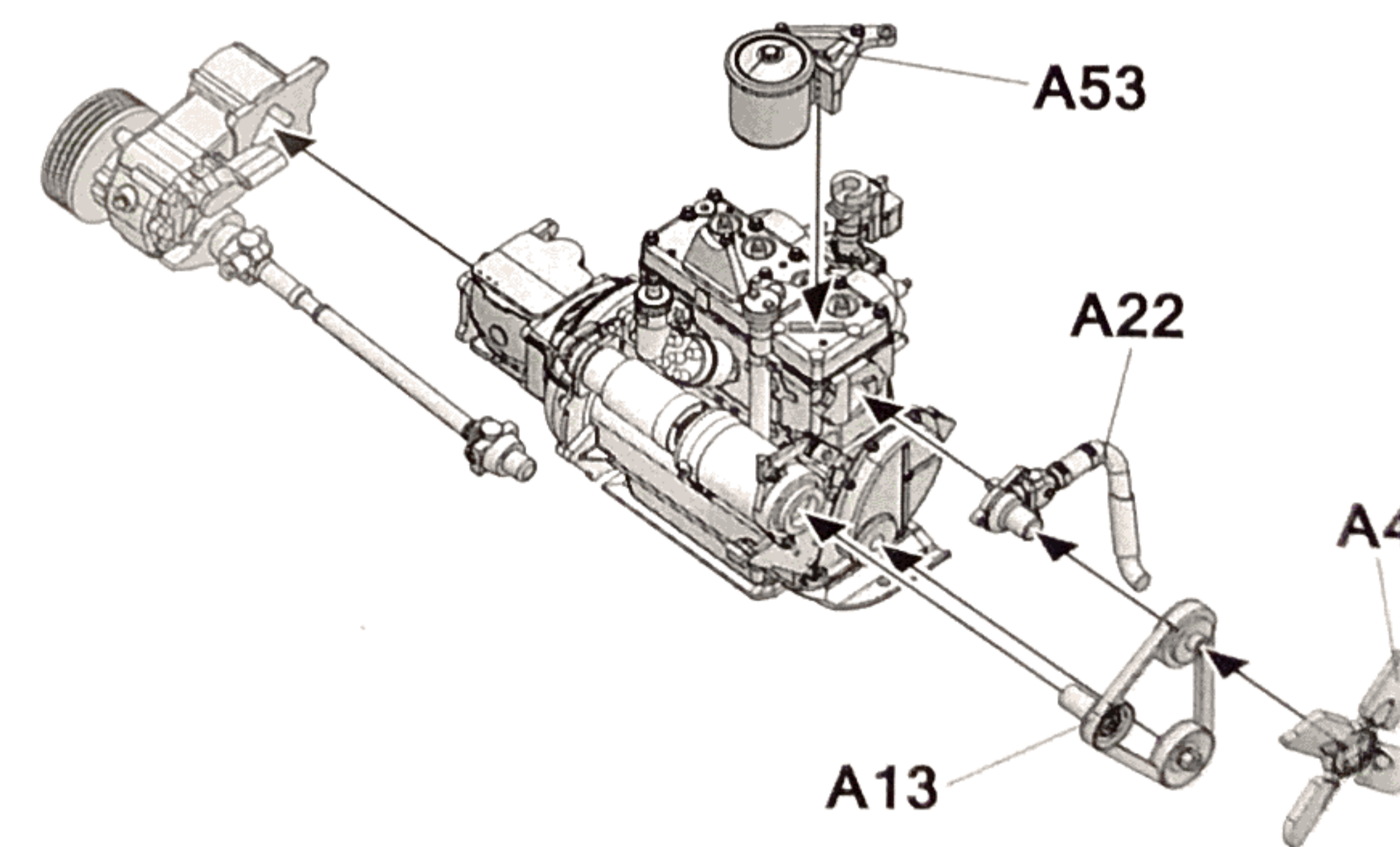
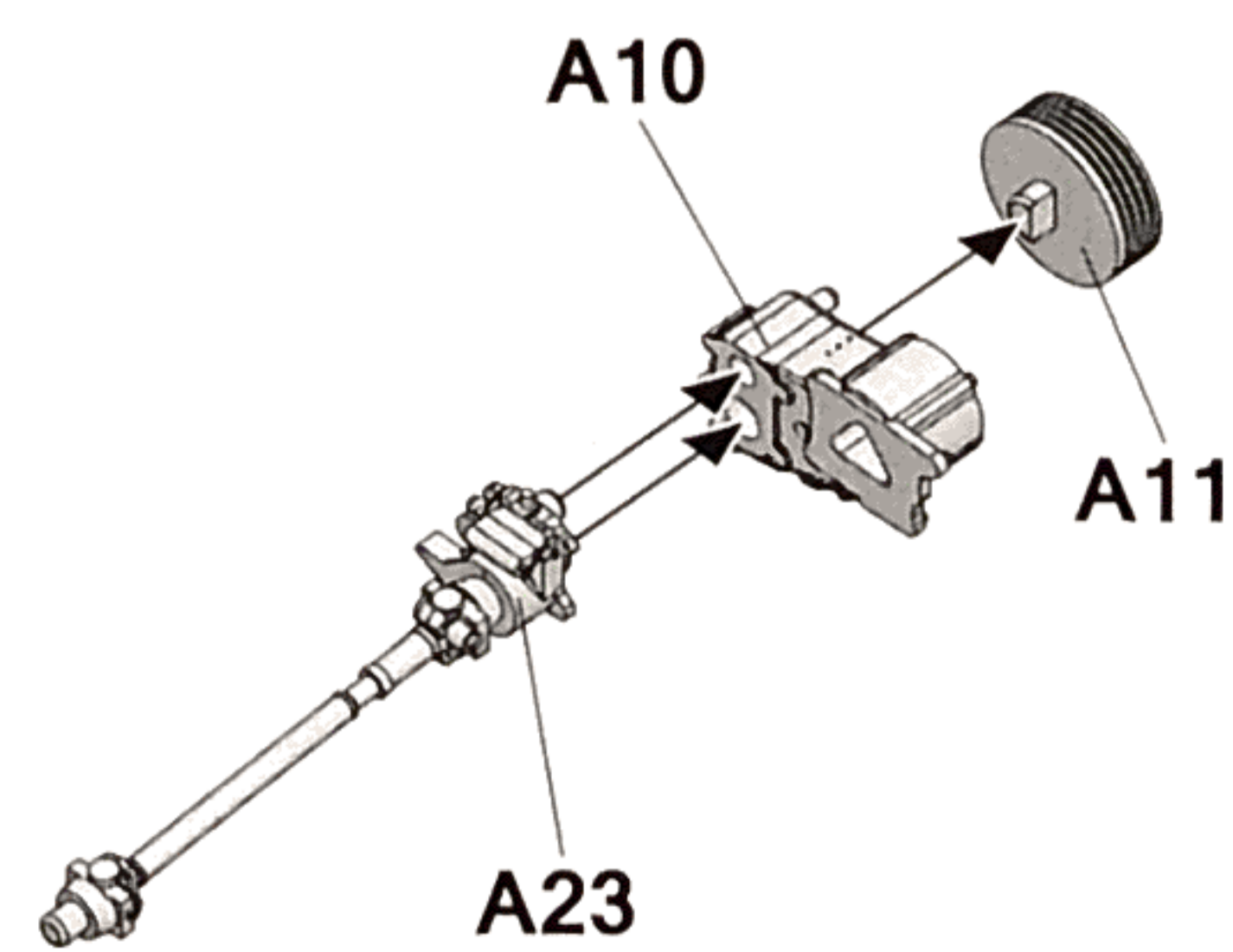
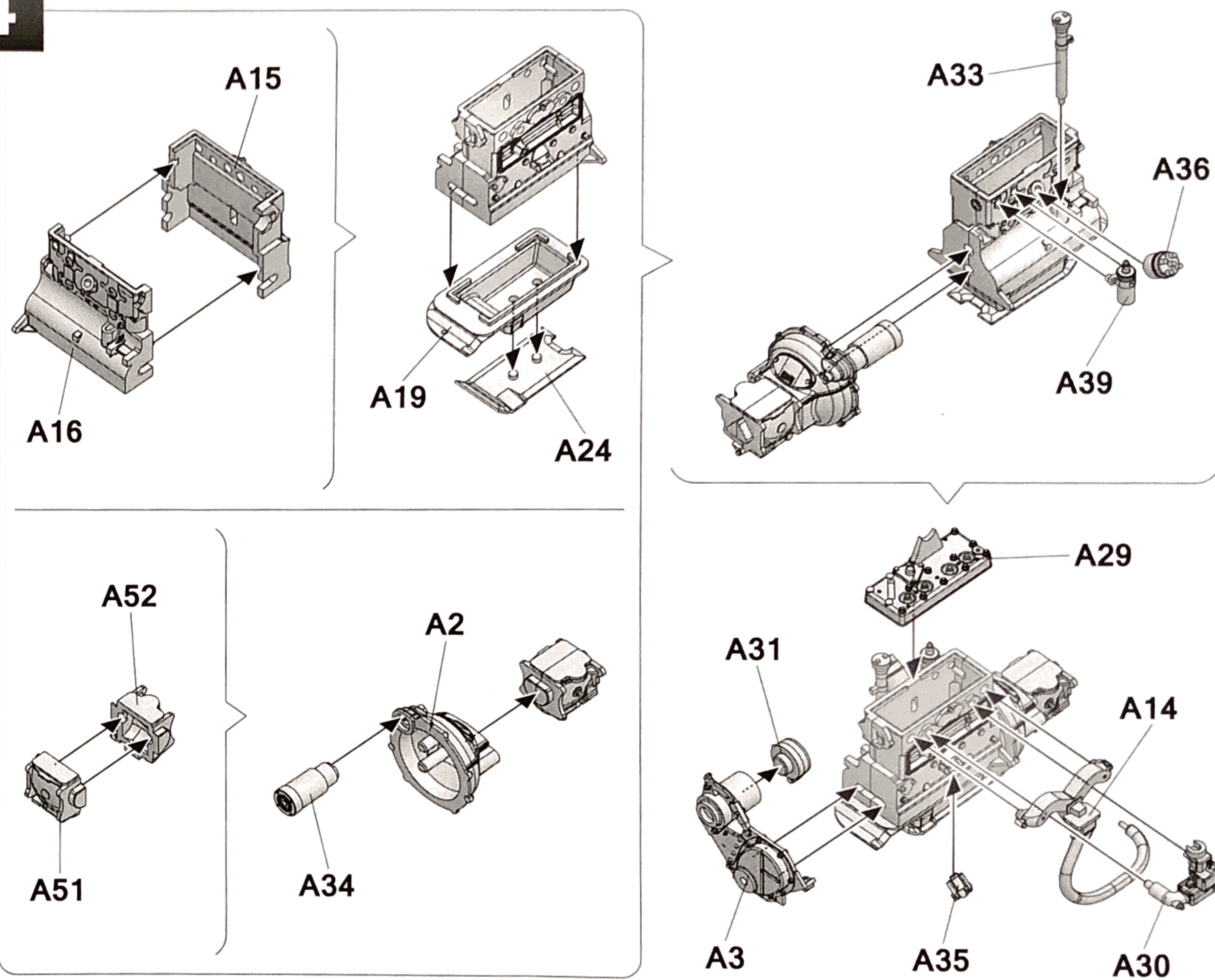


3

3

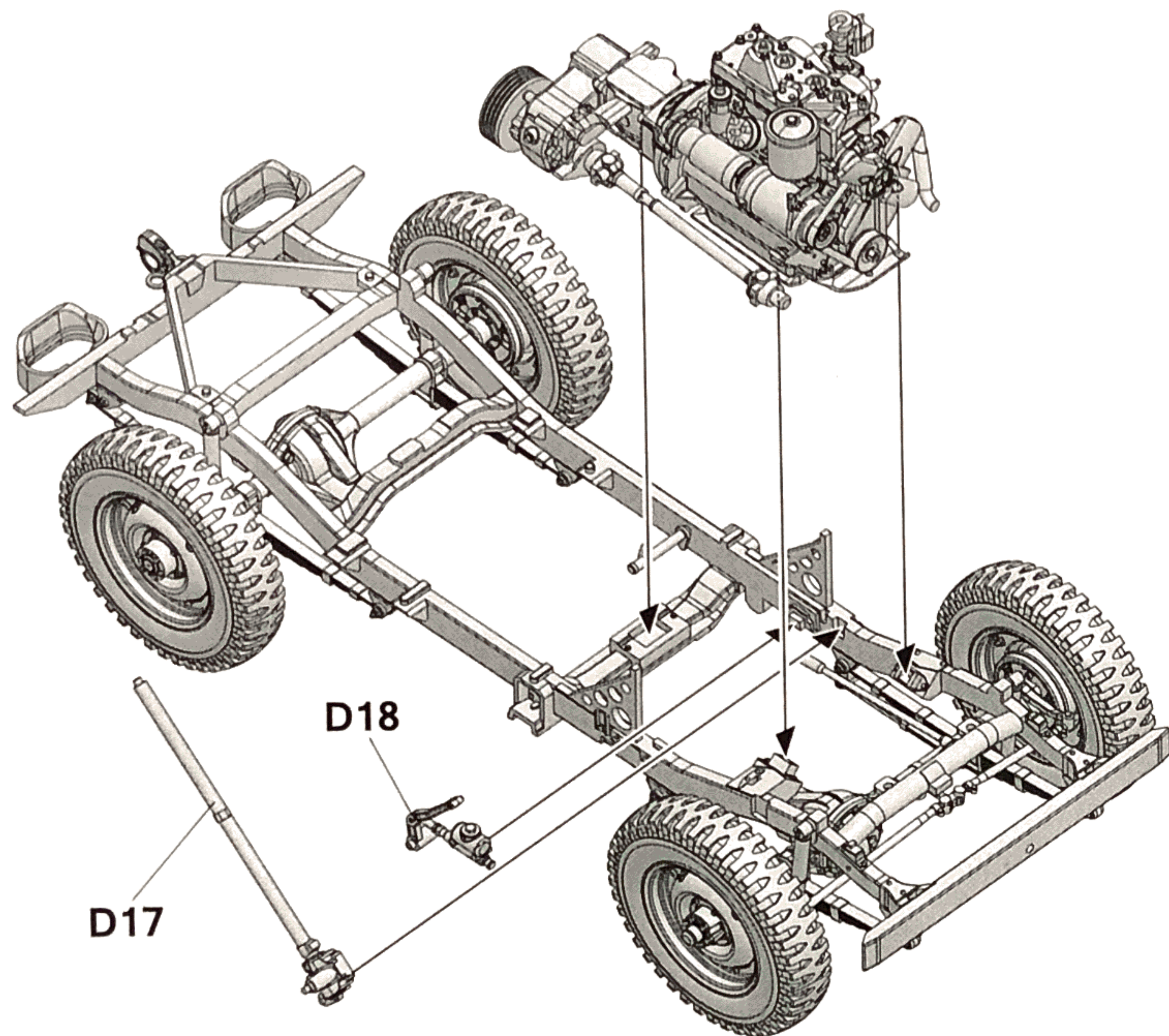


4

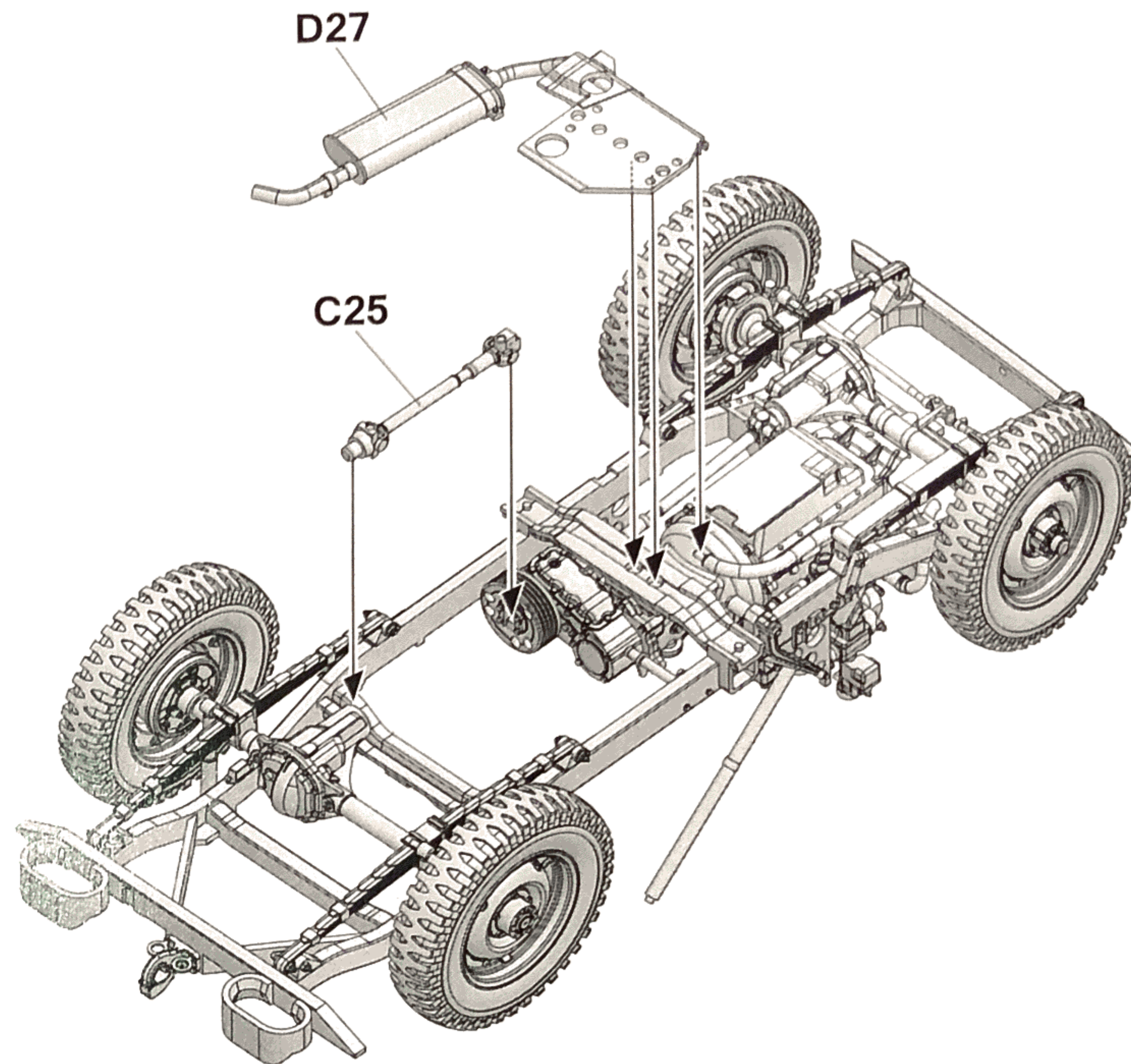


4

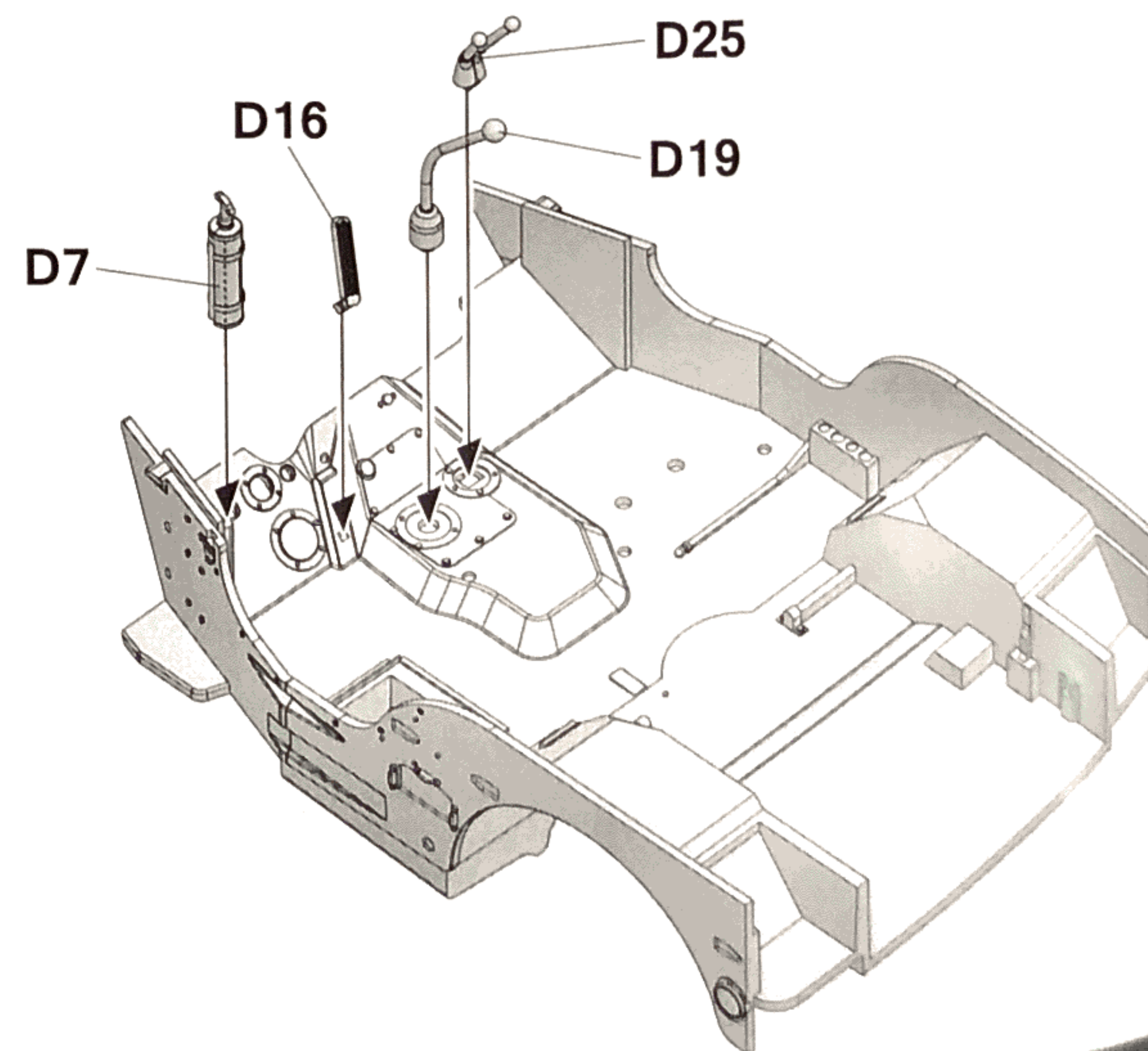
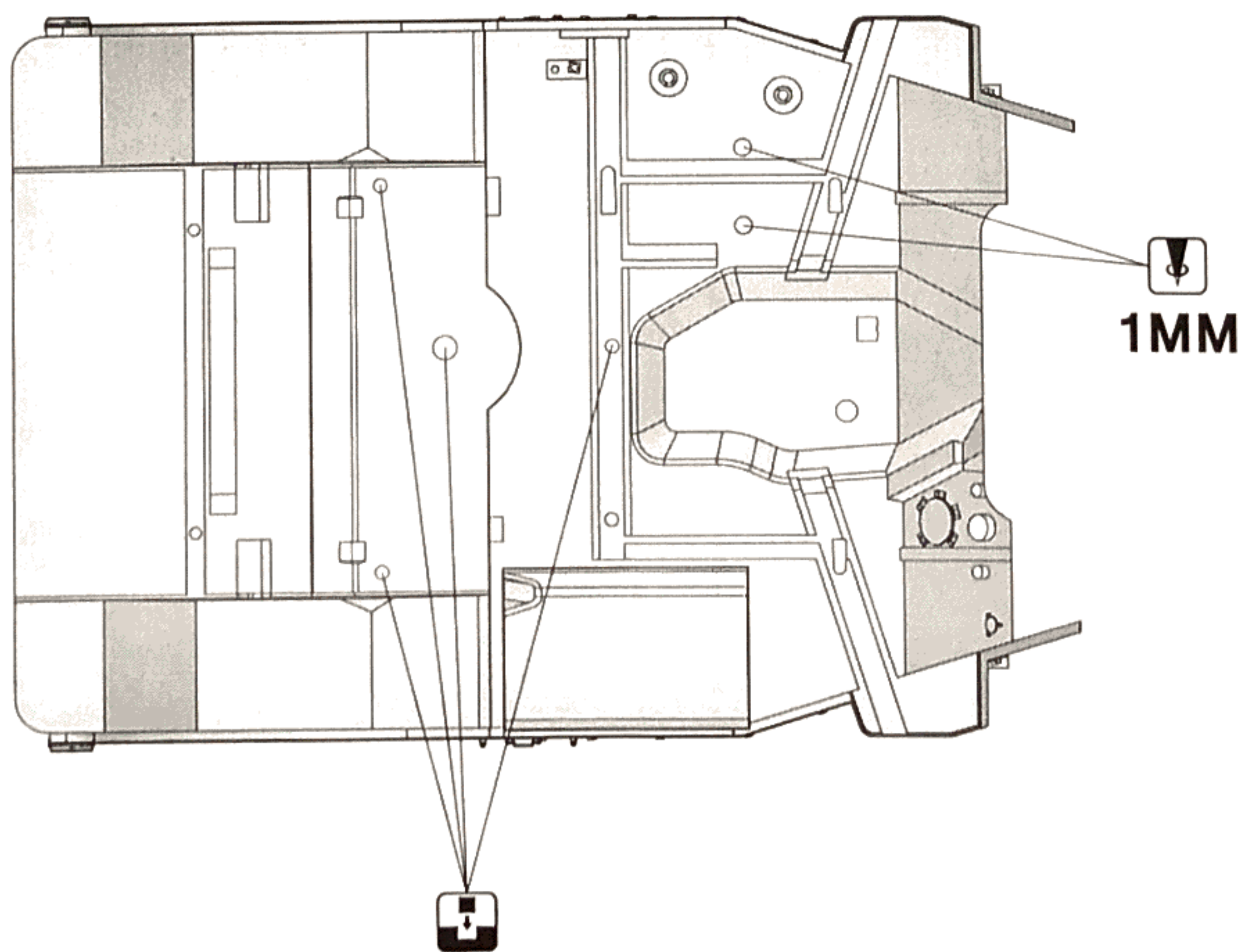
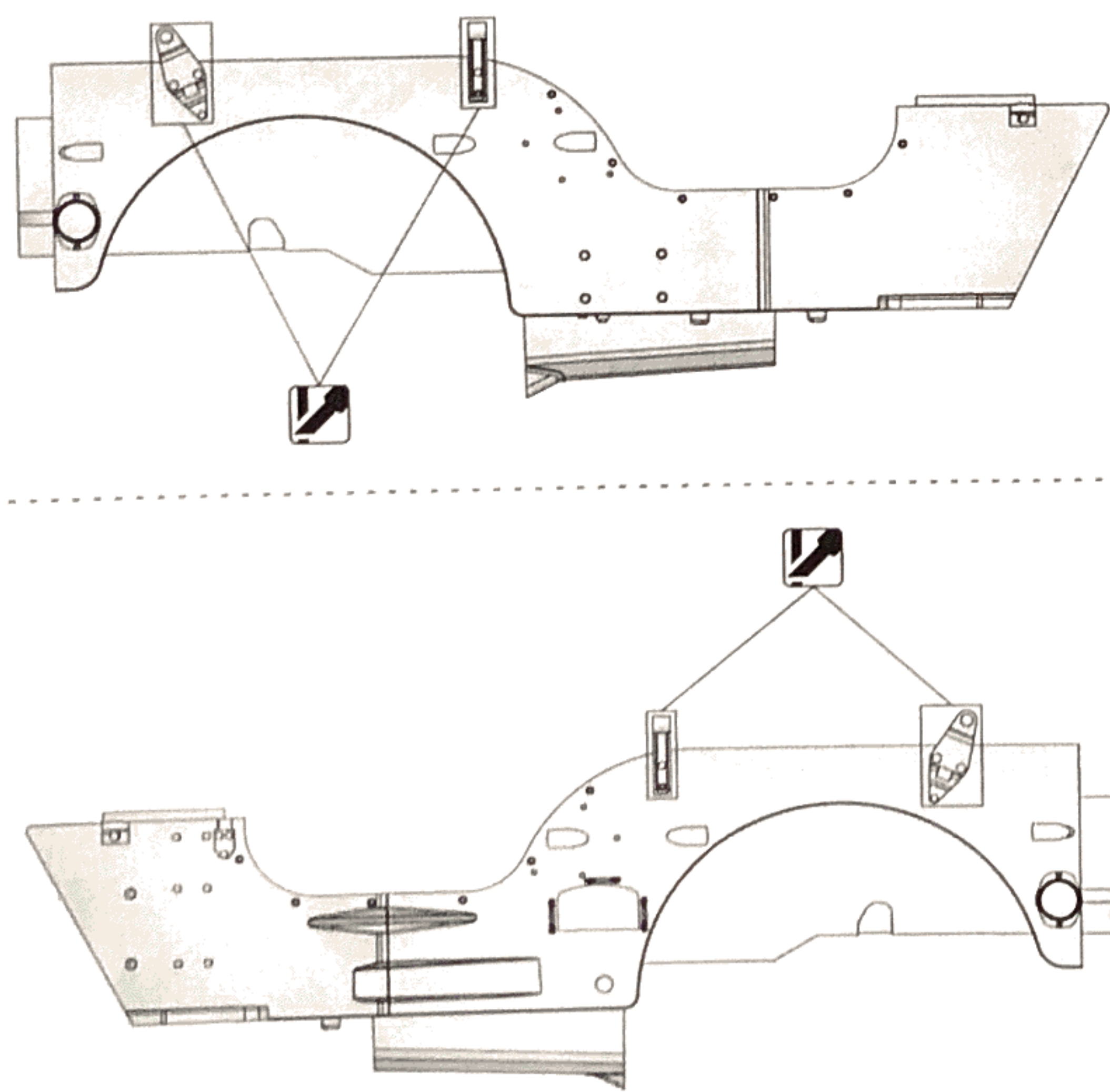
5

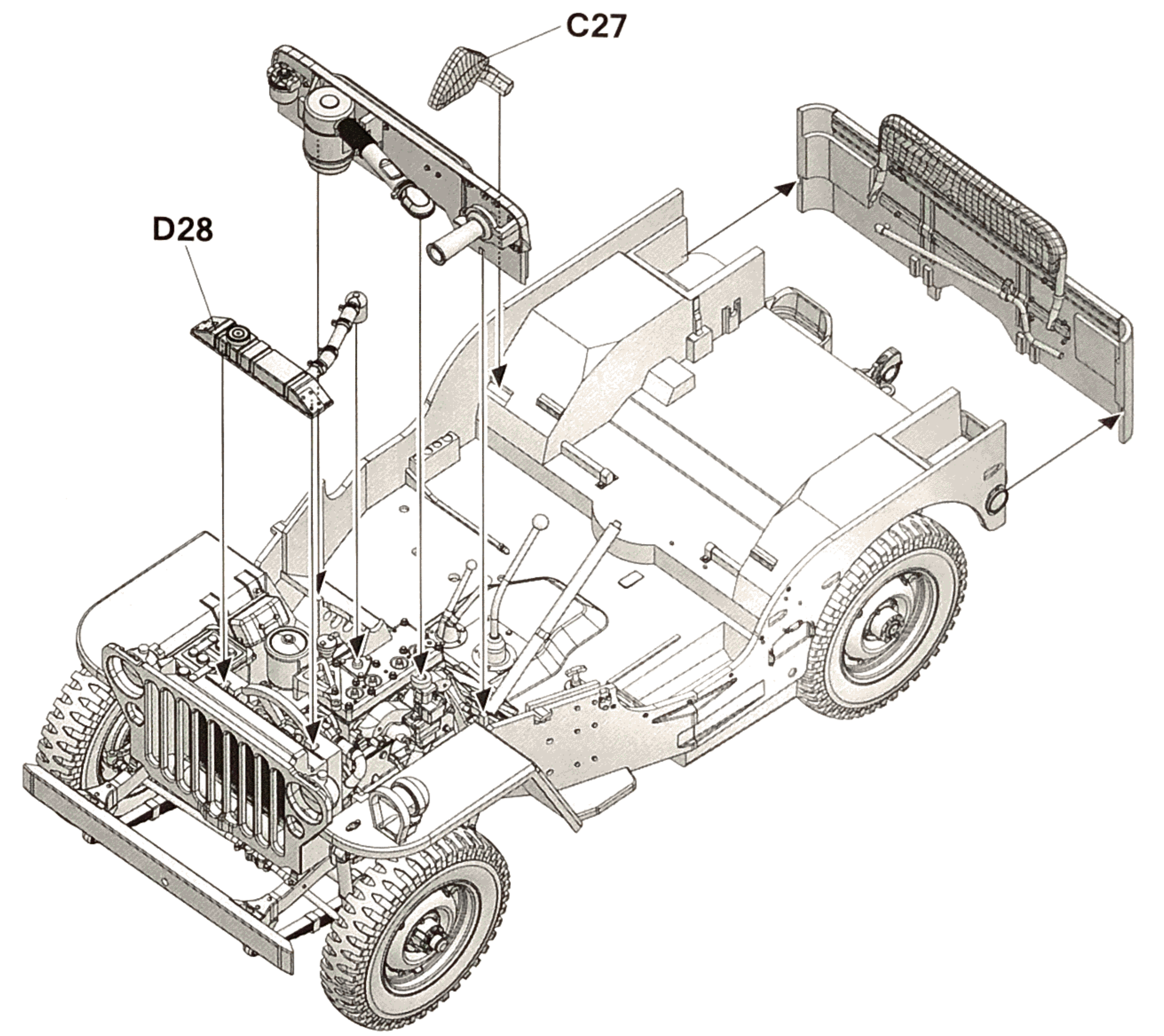
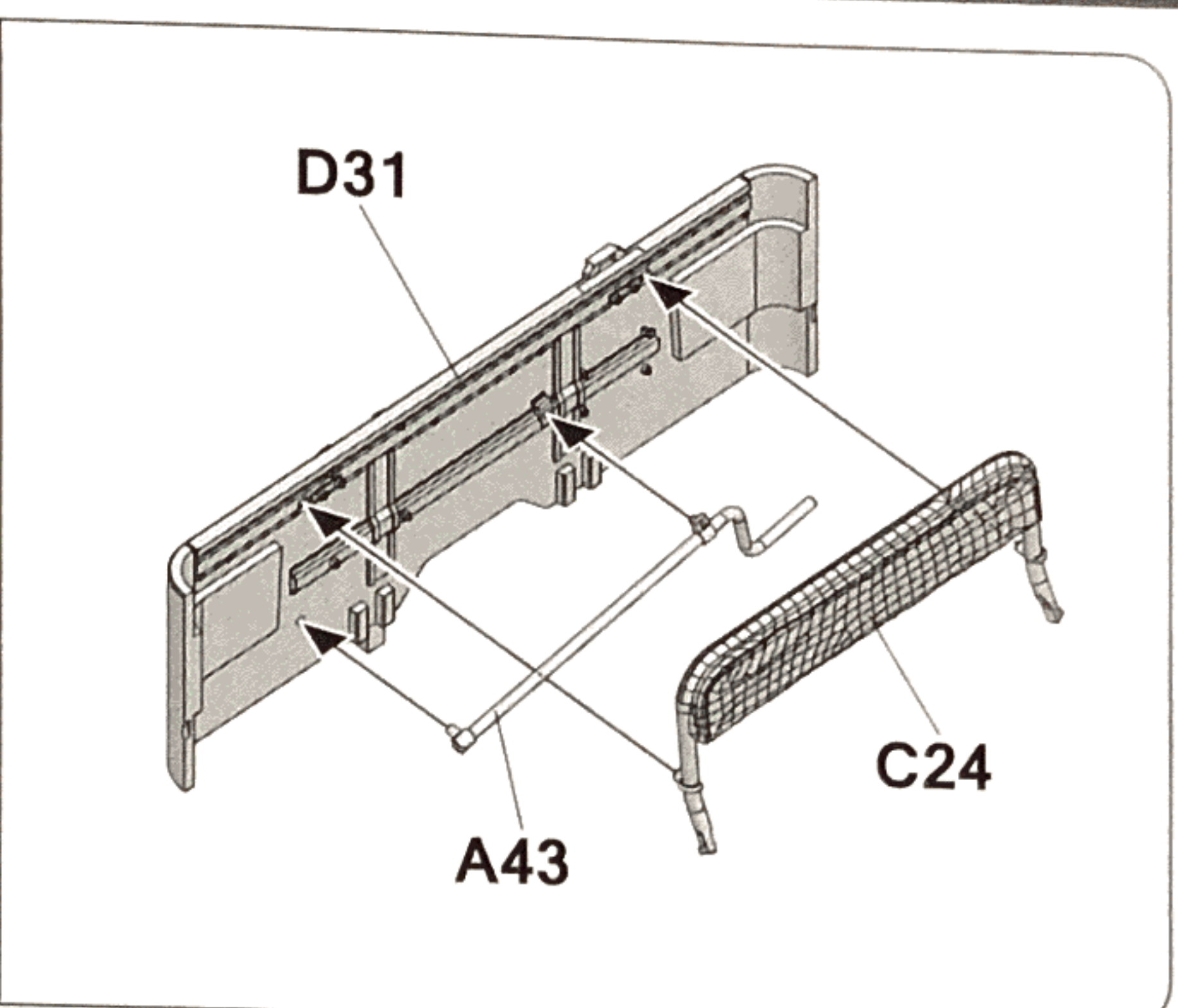
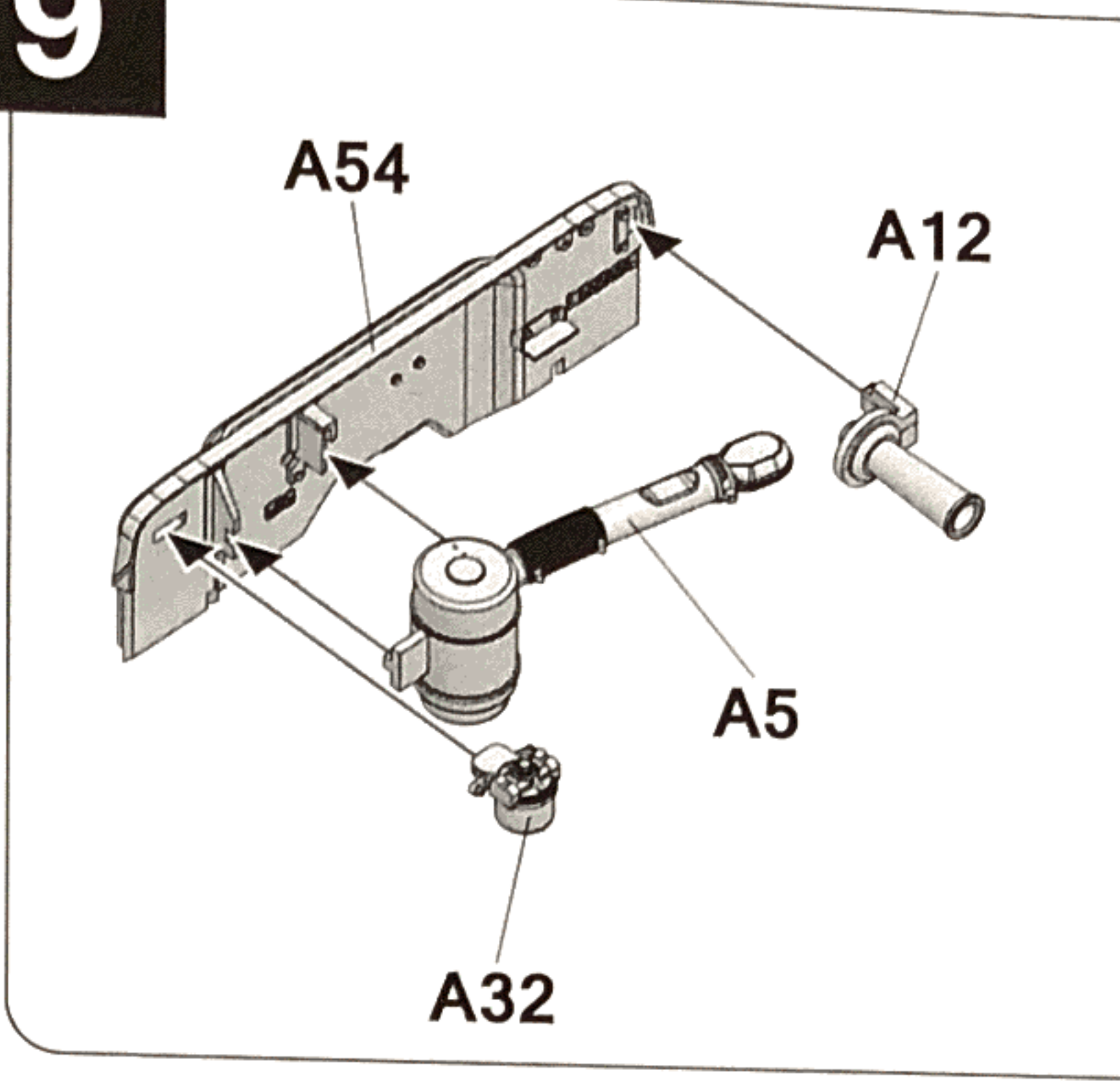
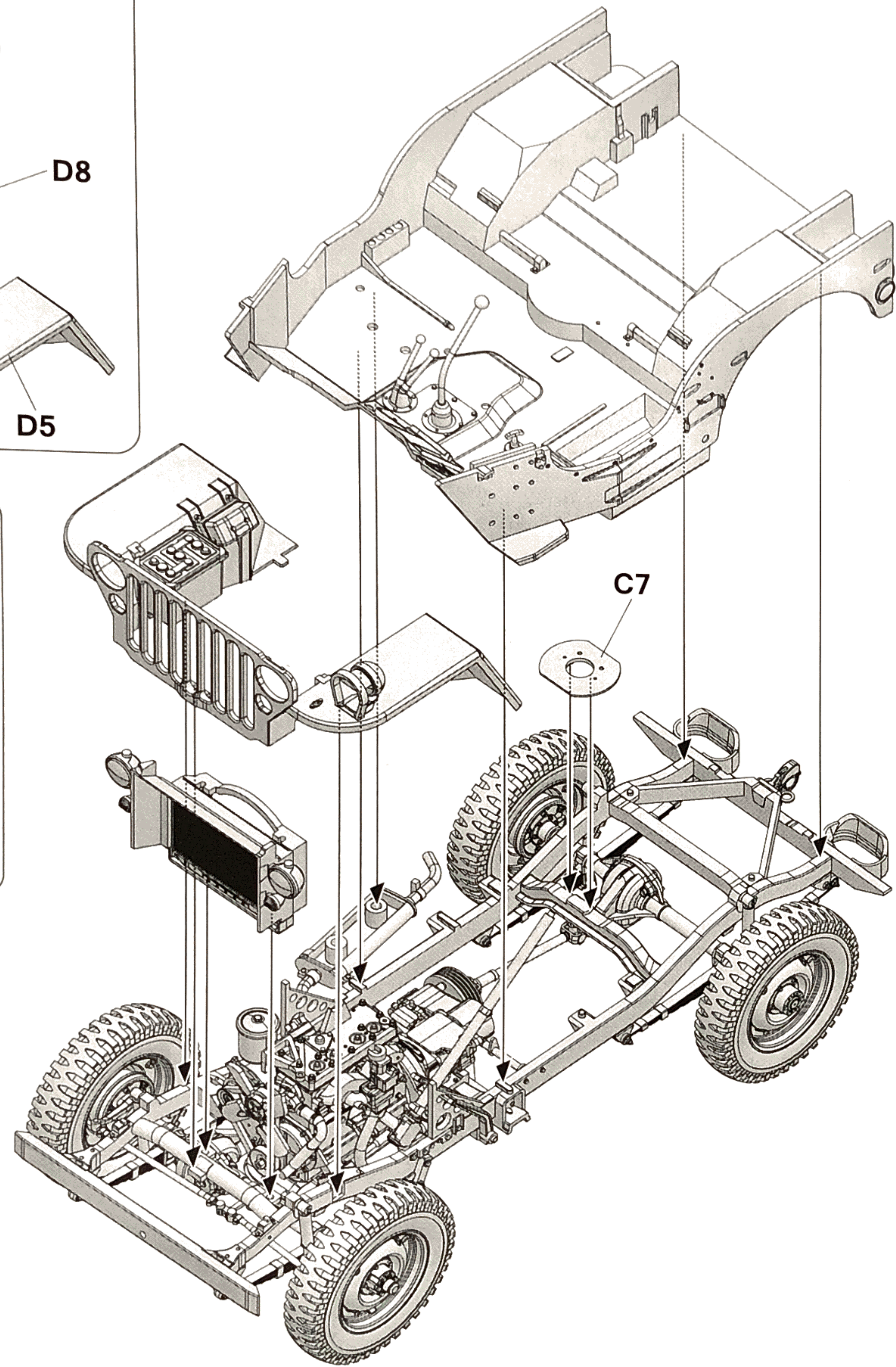
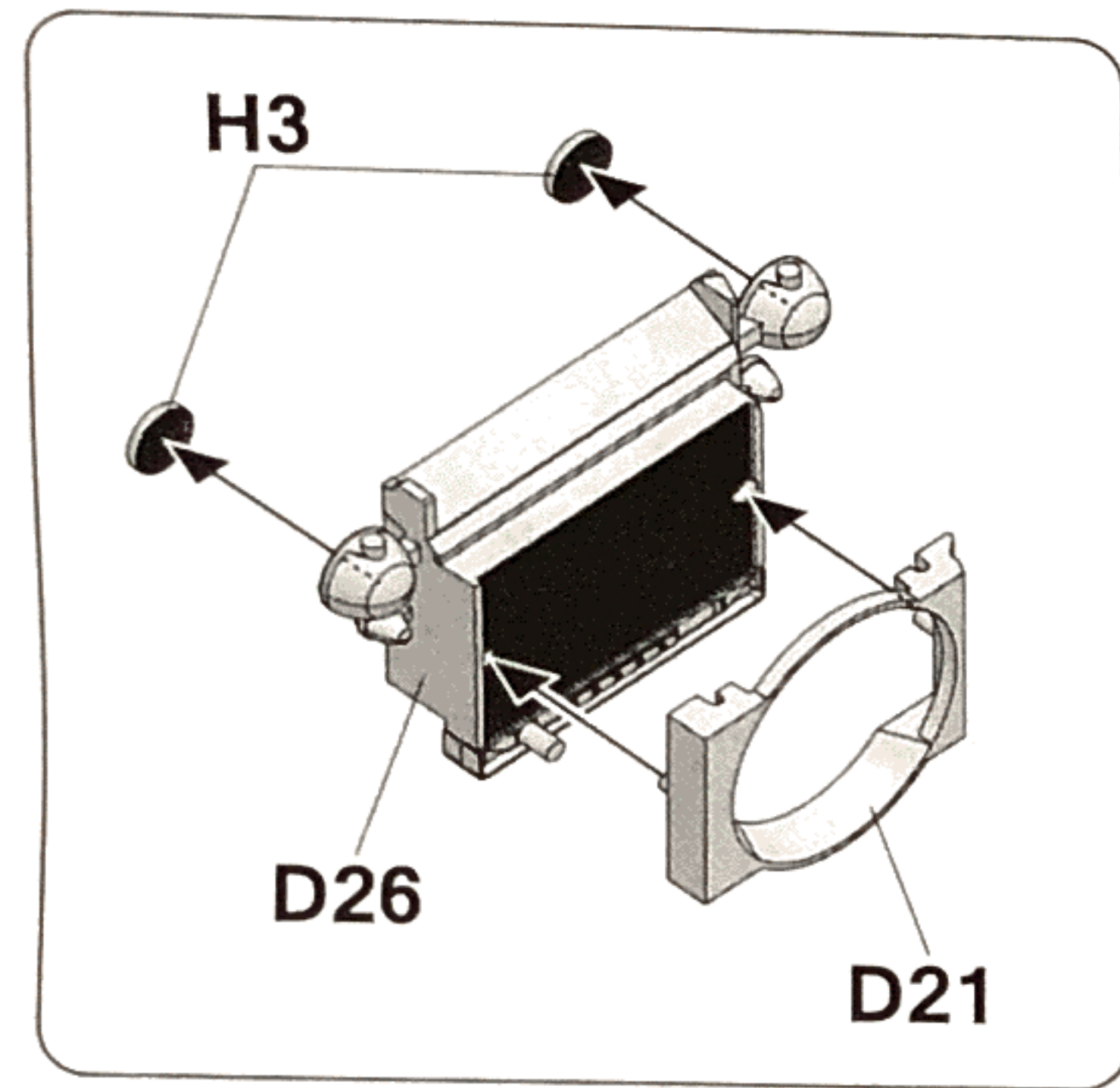
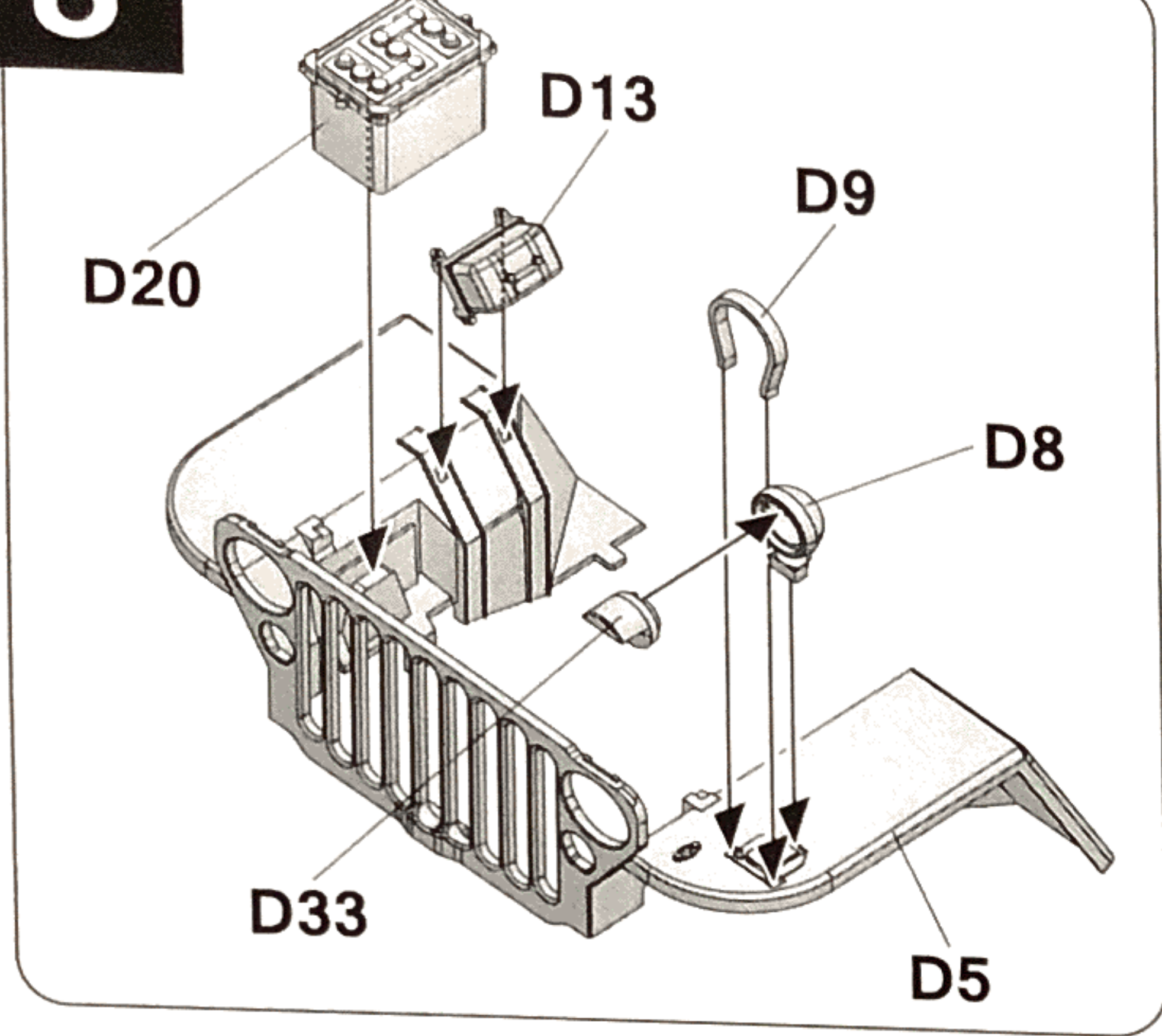


6

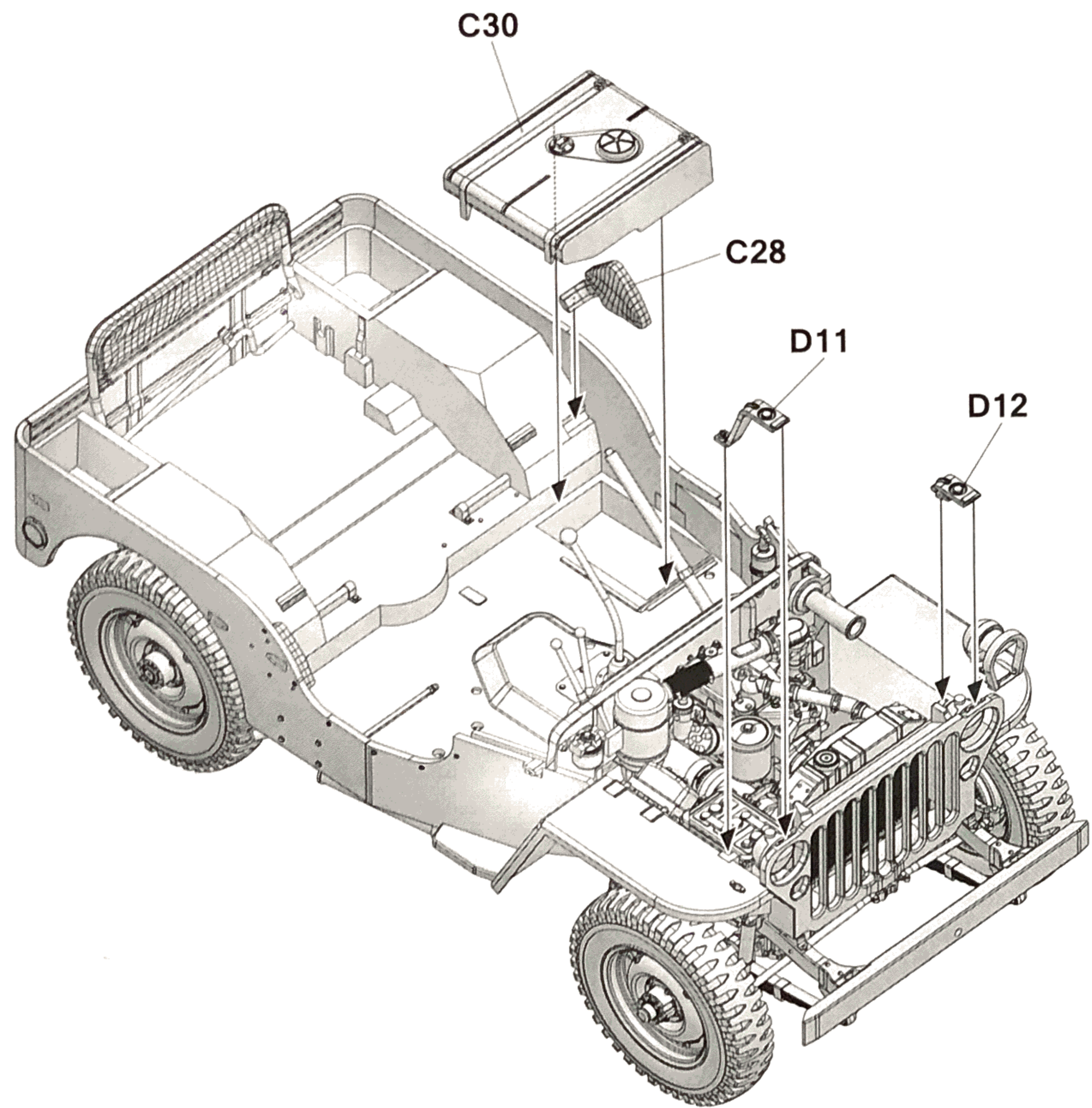


7

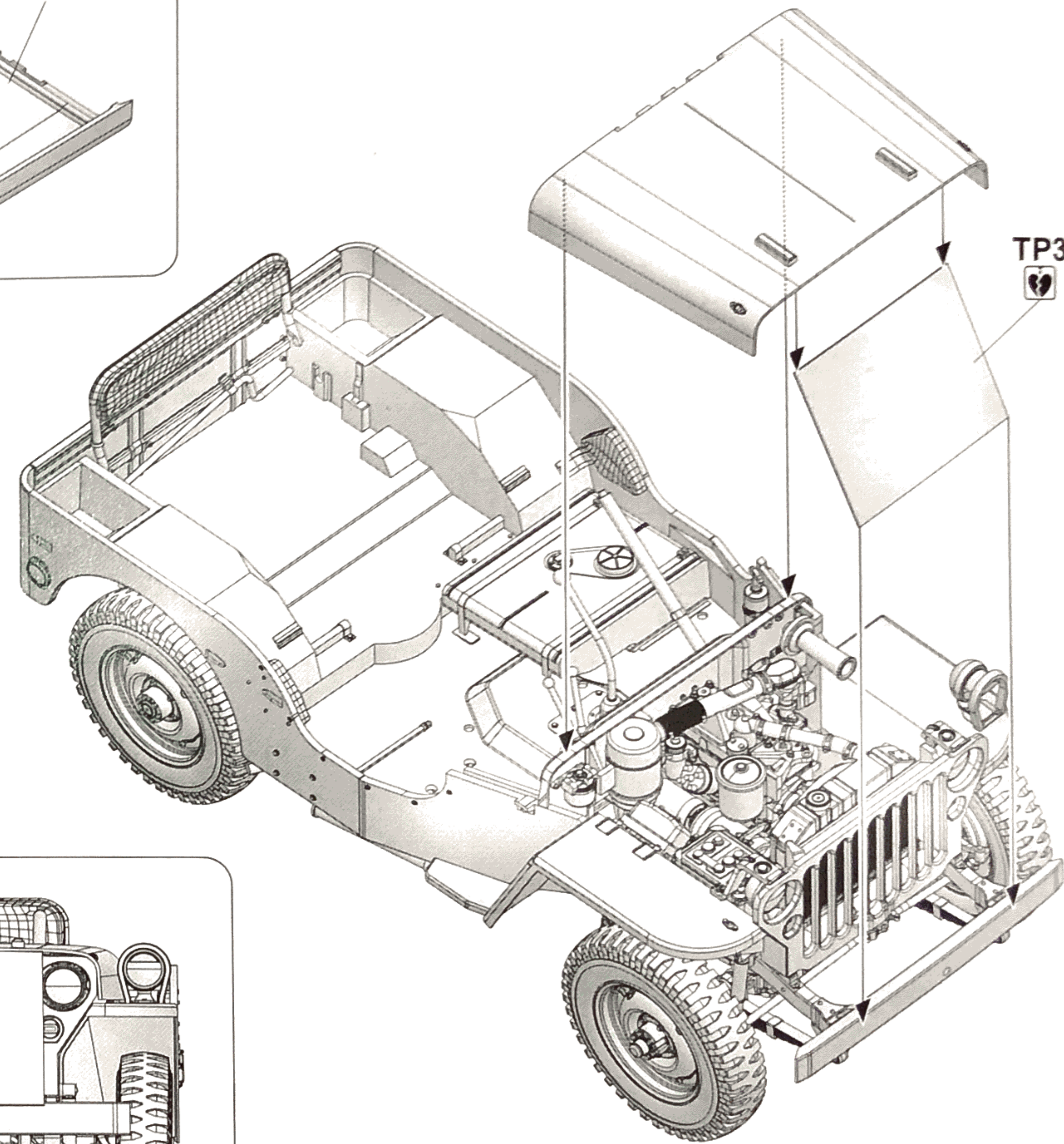
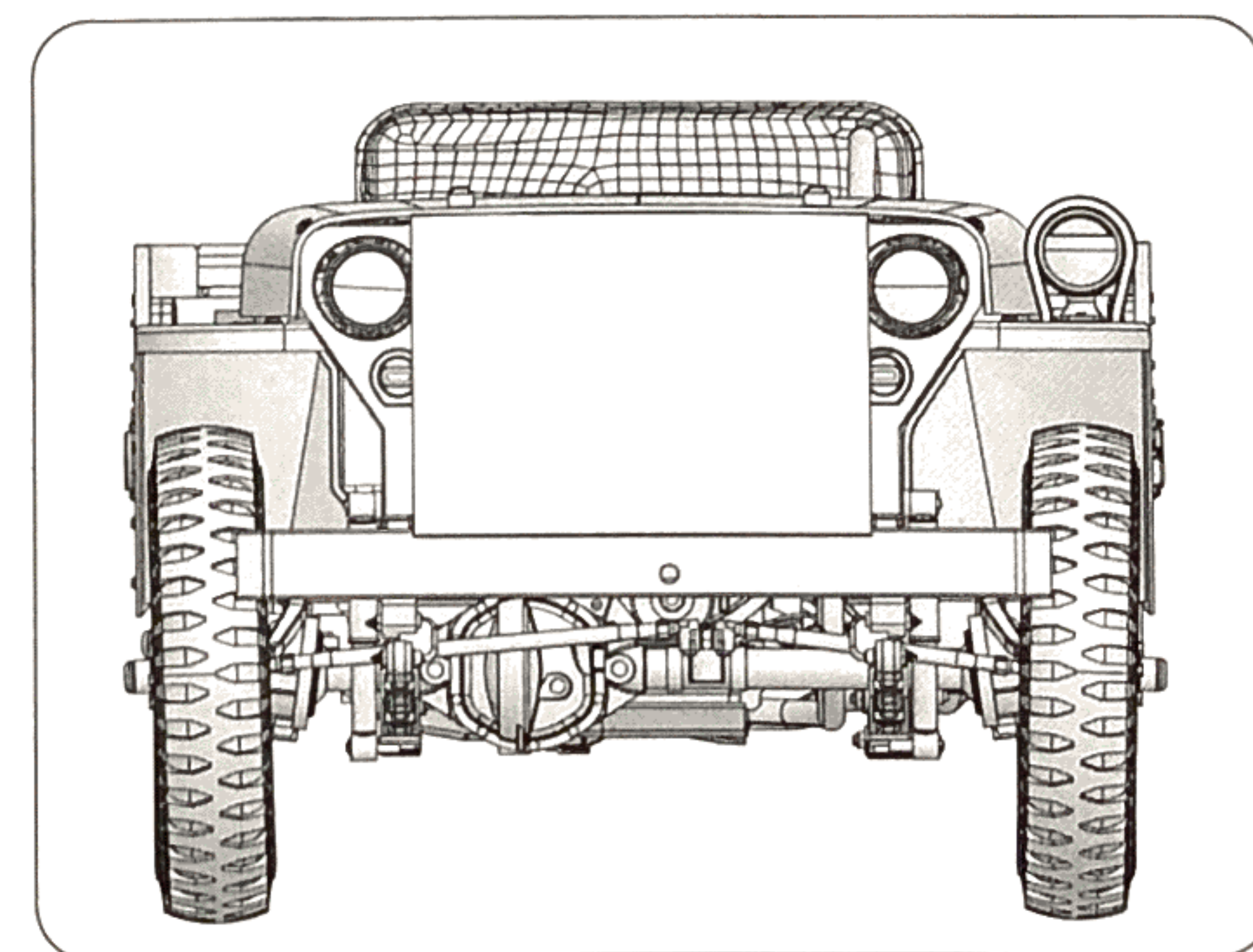
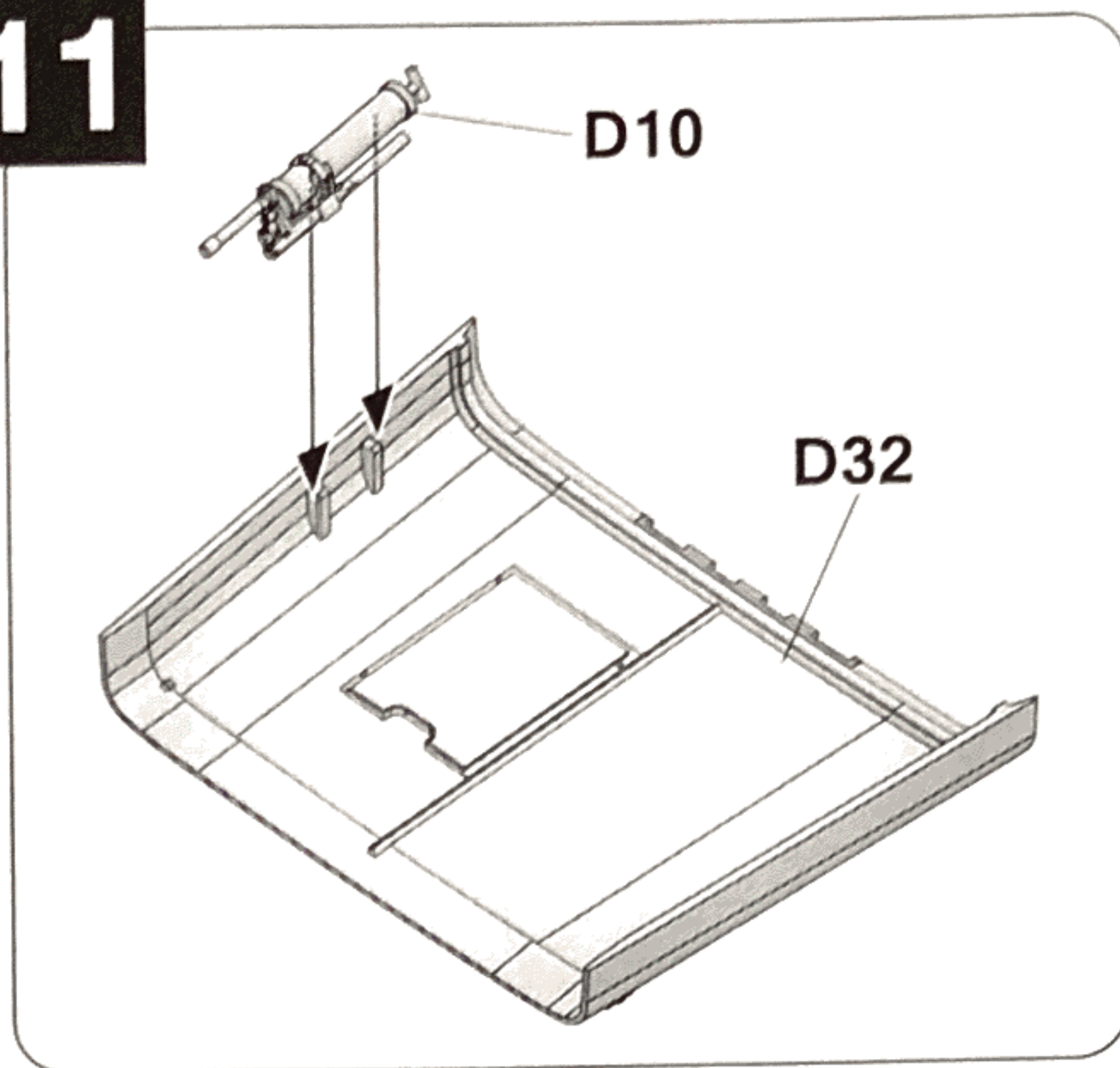


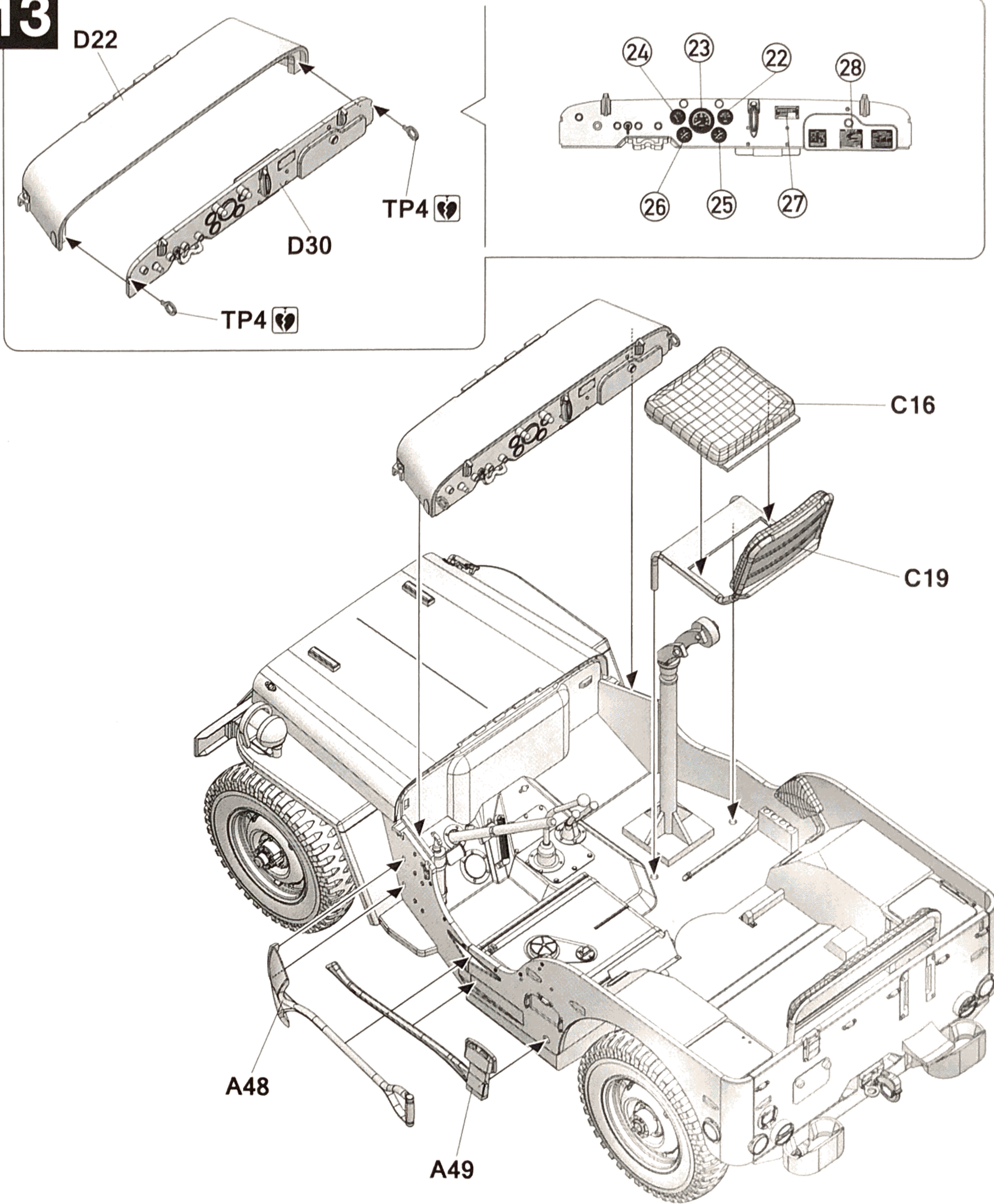
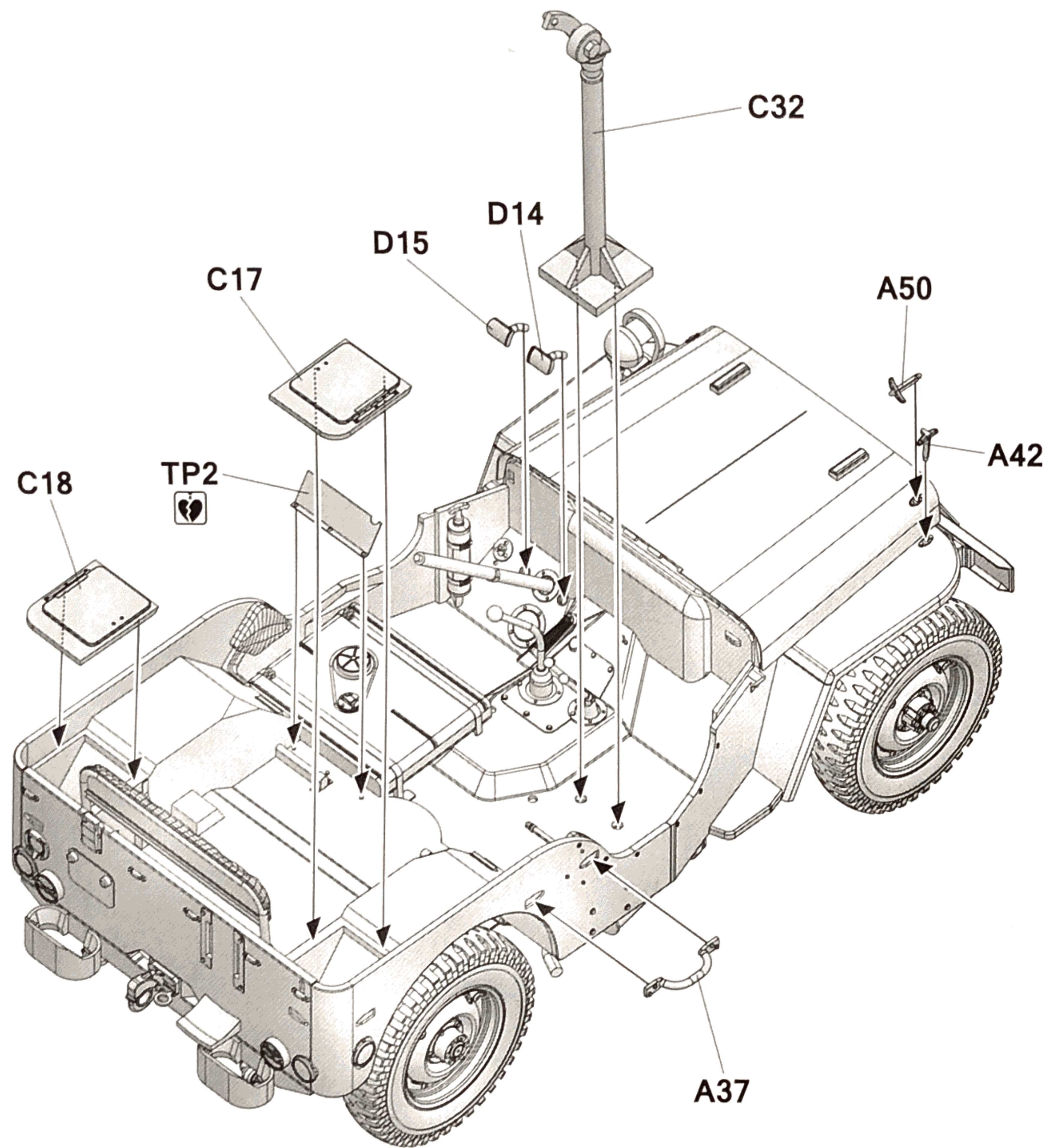


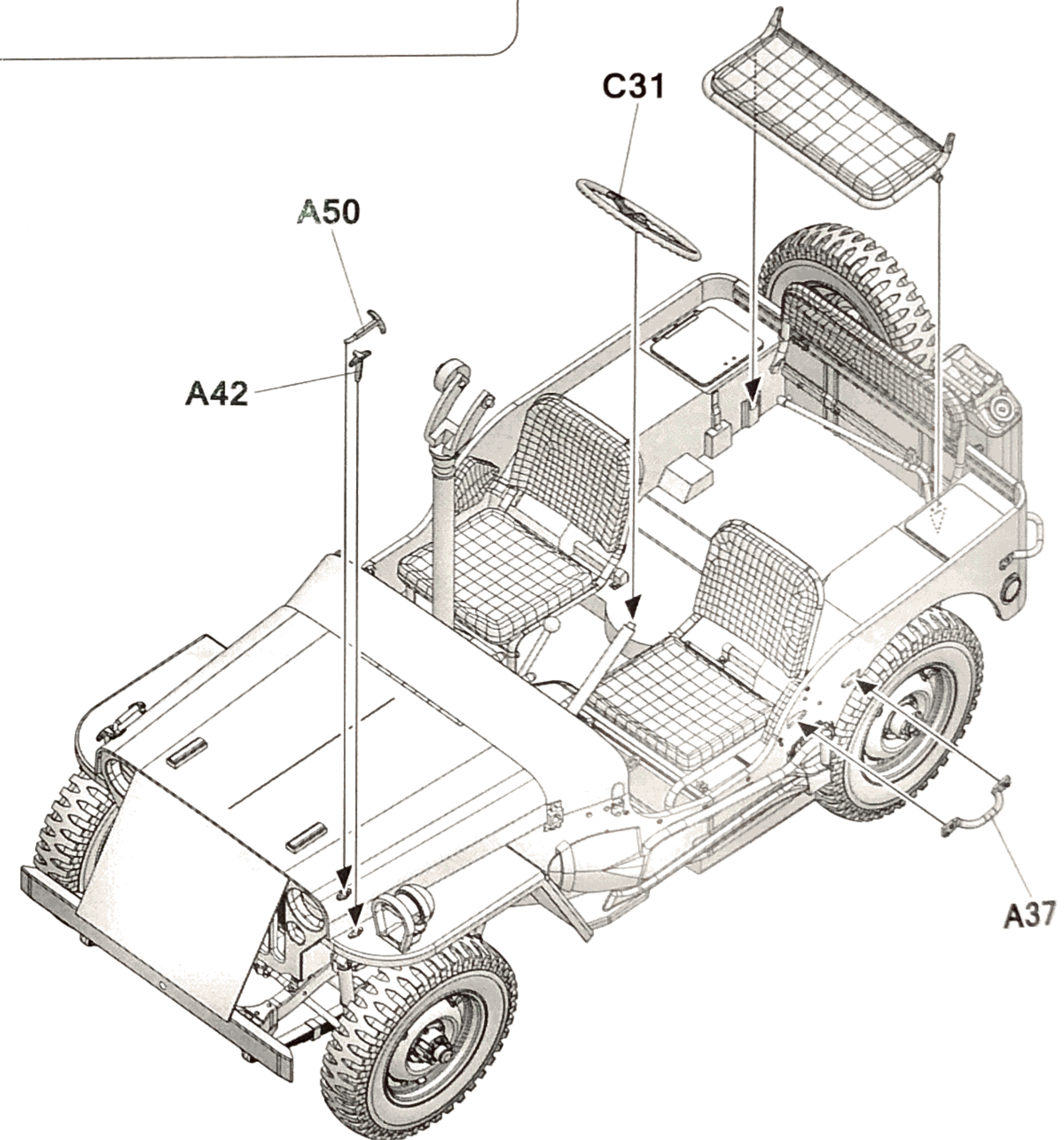
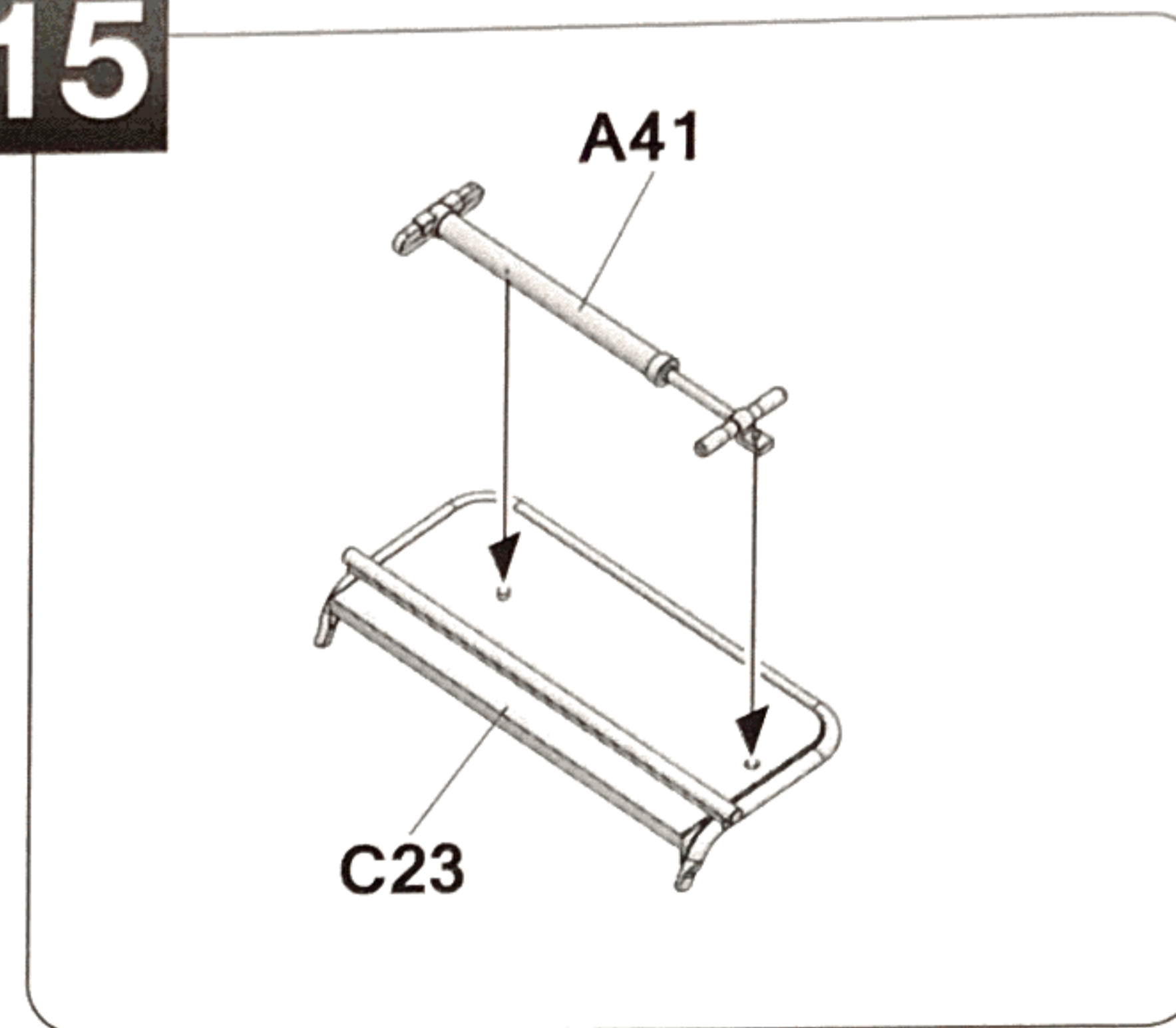
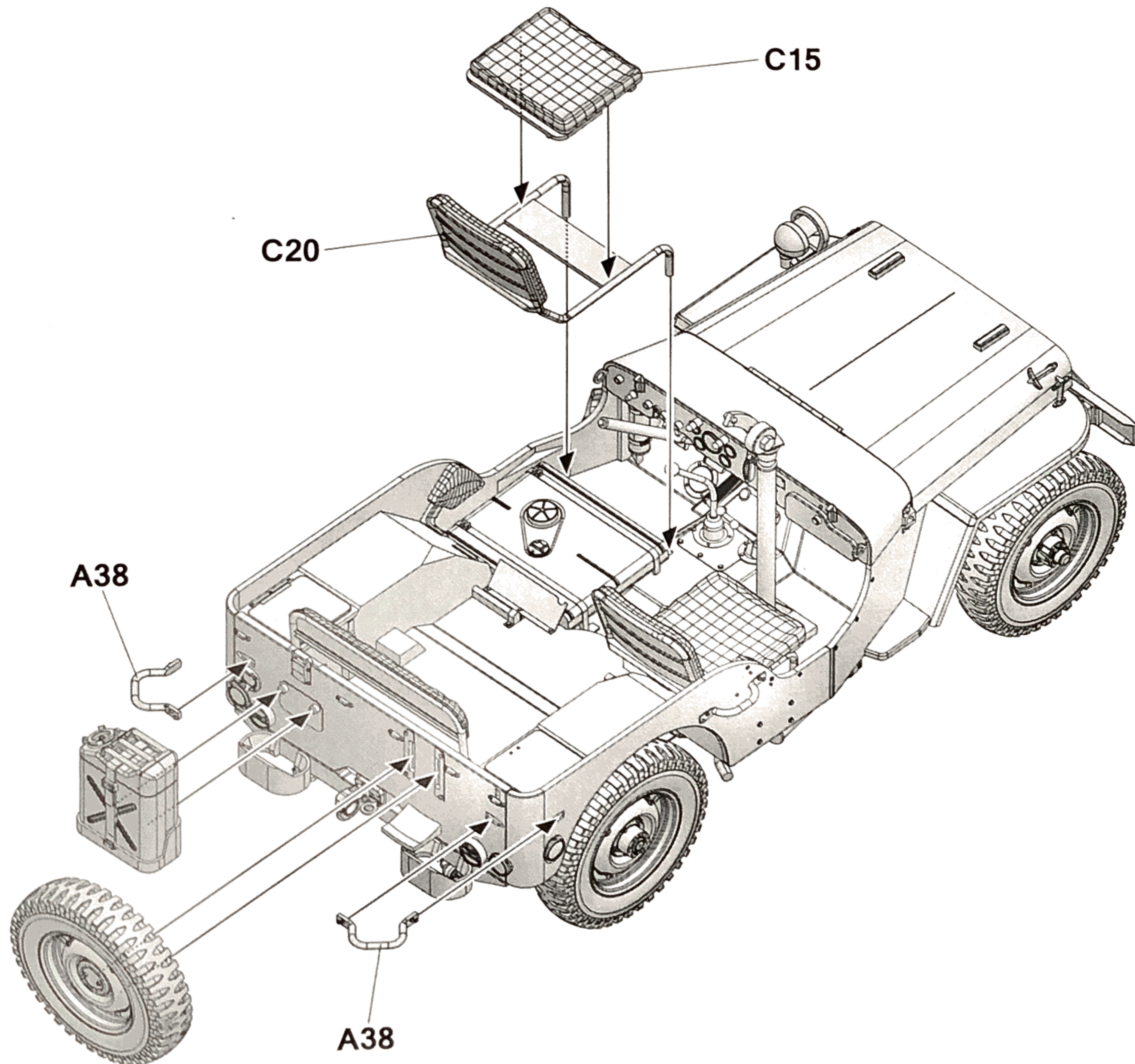
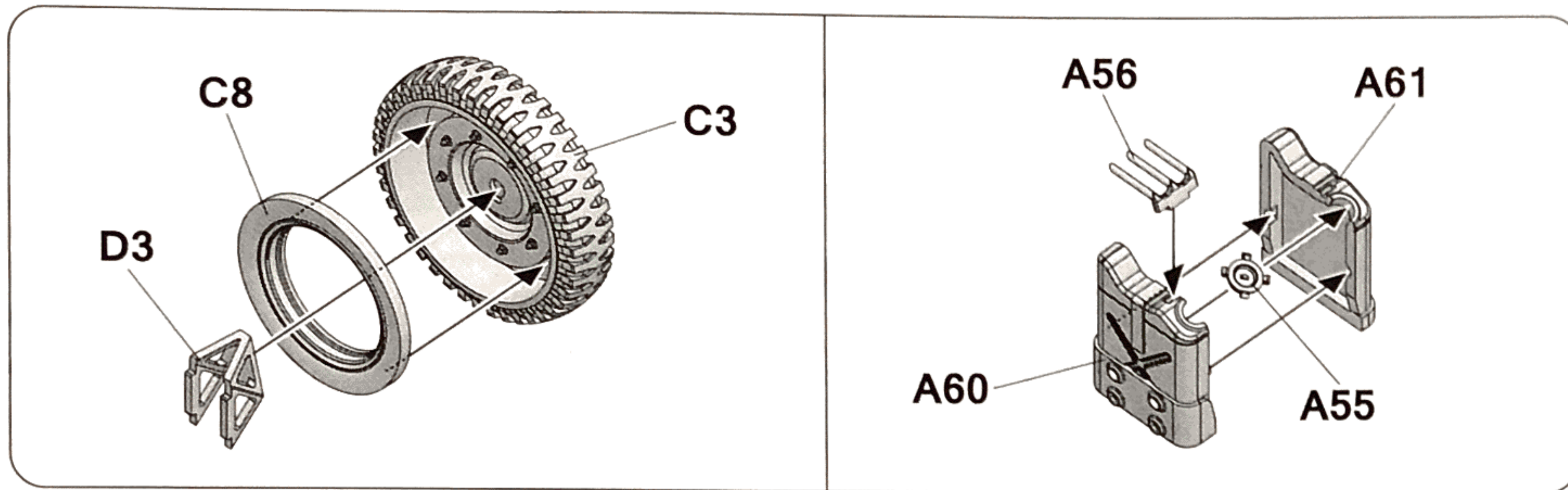
10

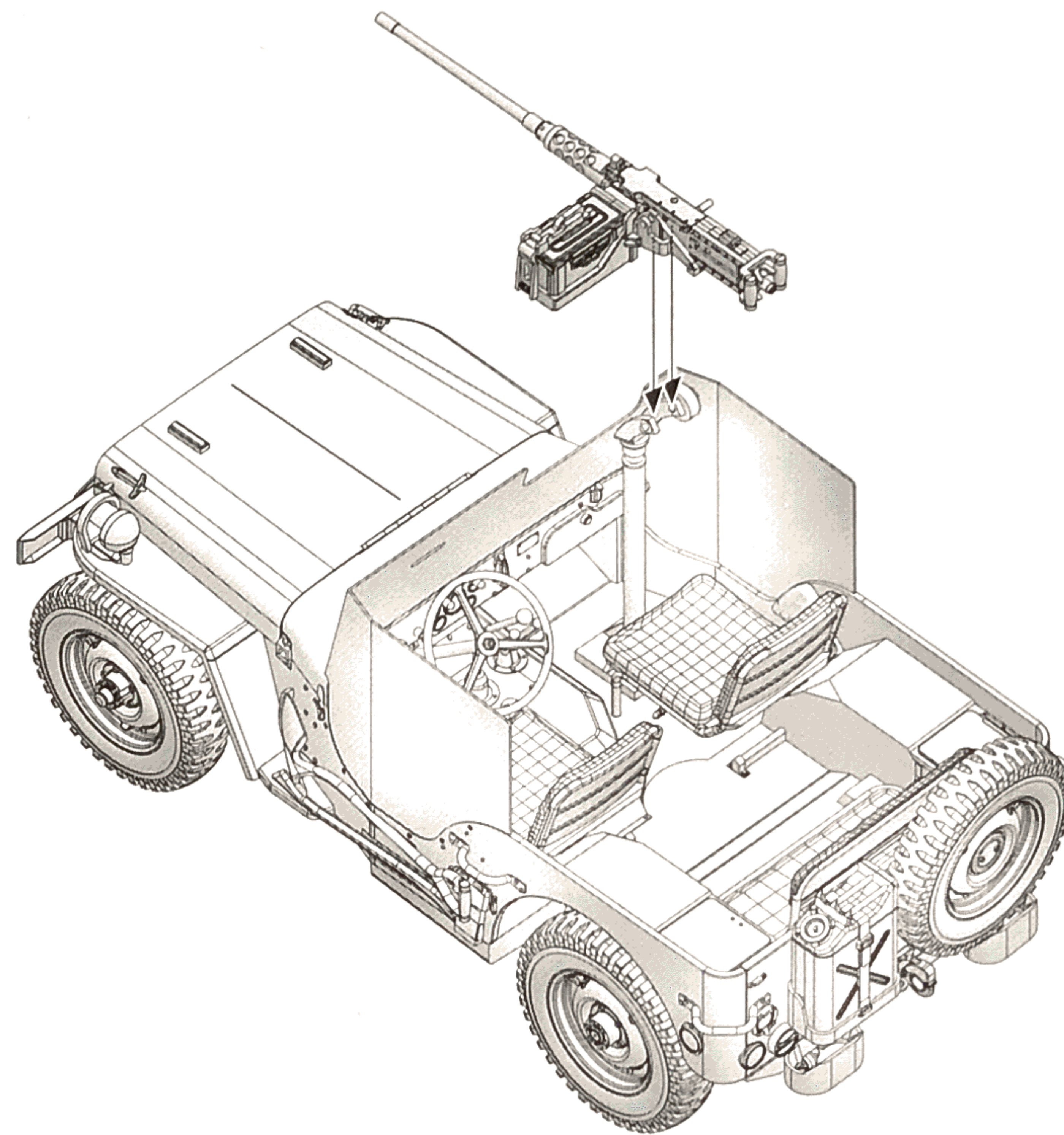
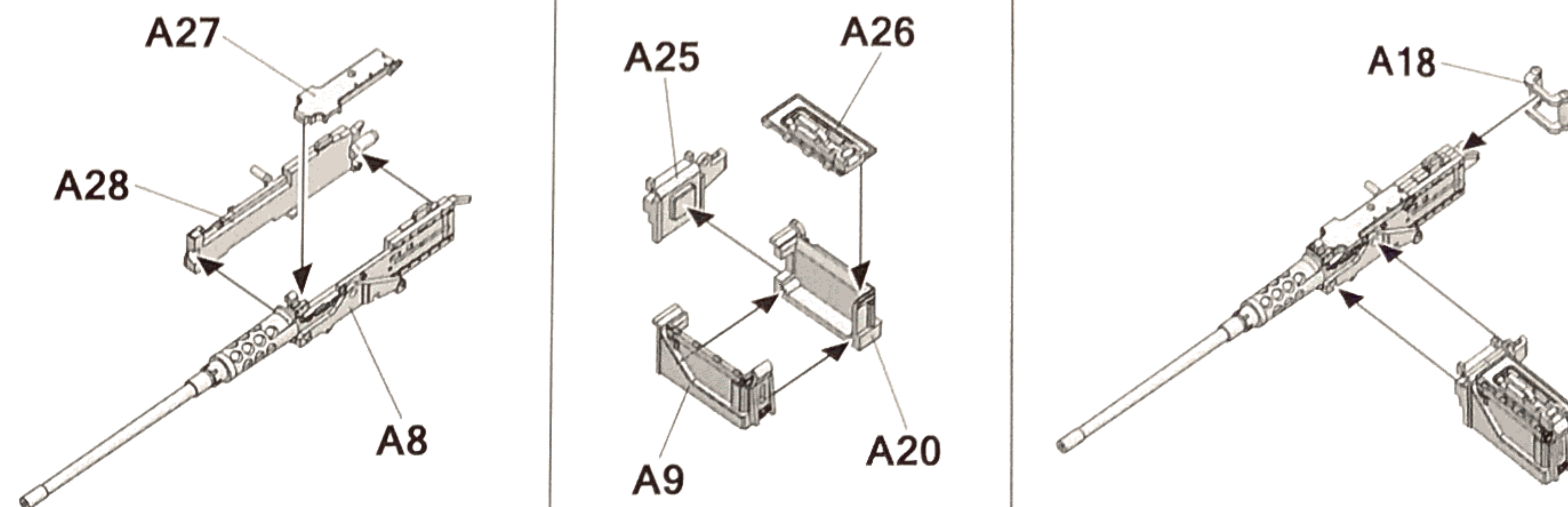
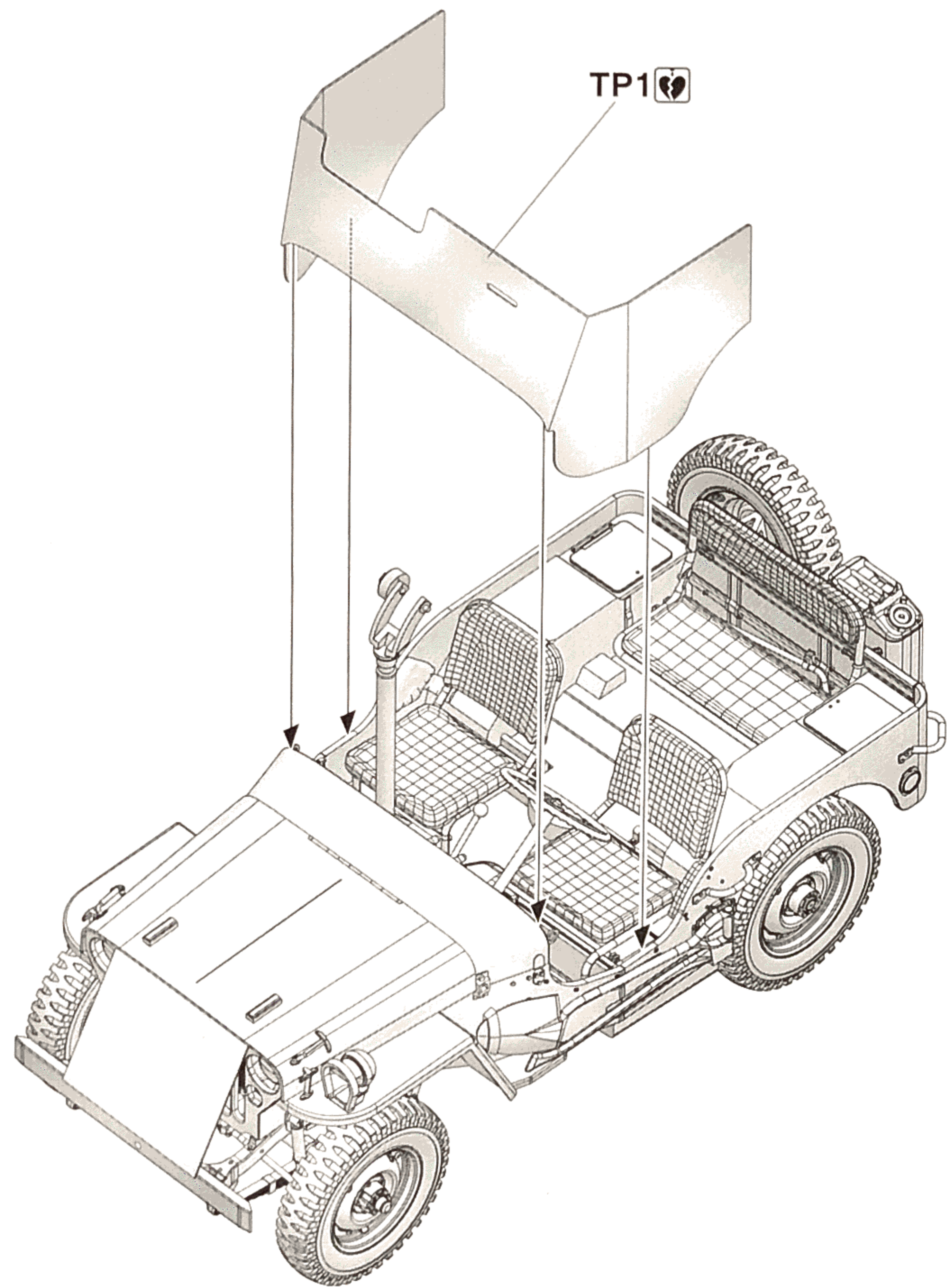


11







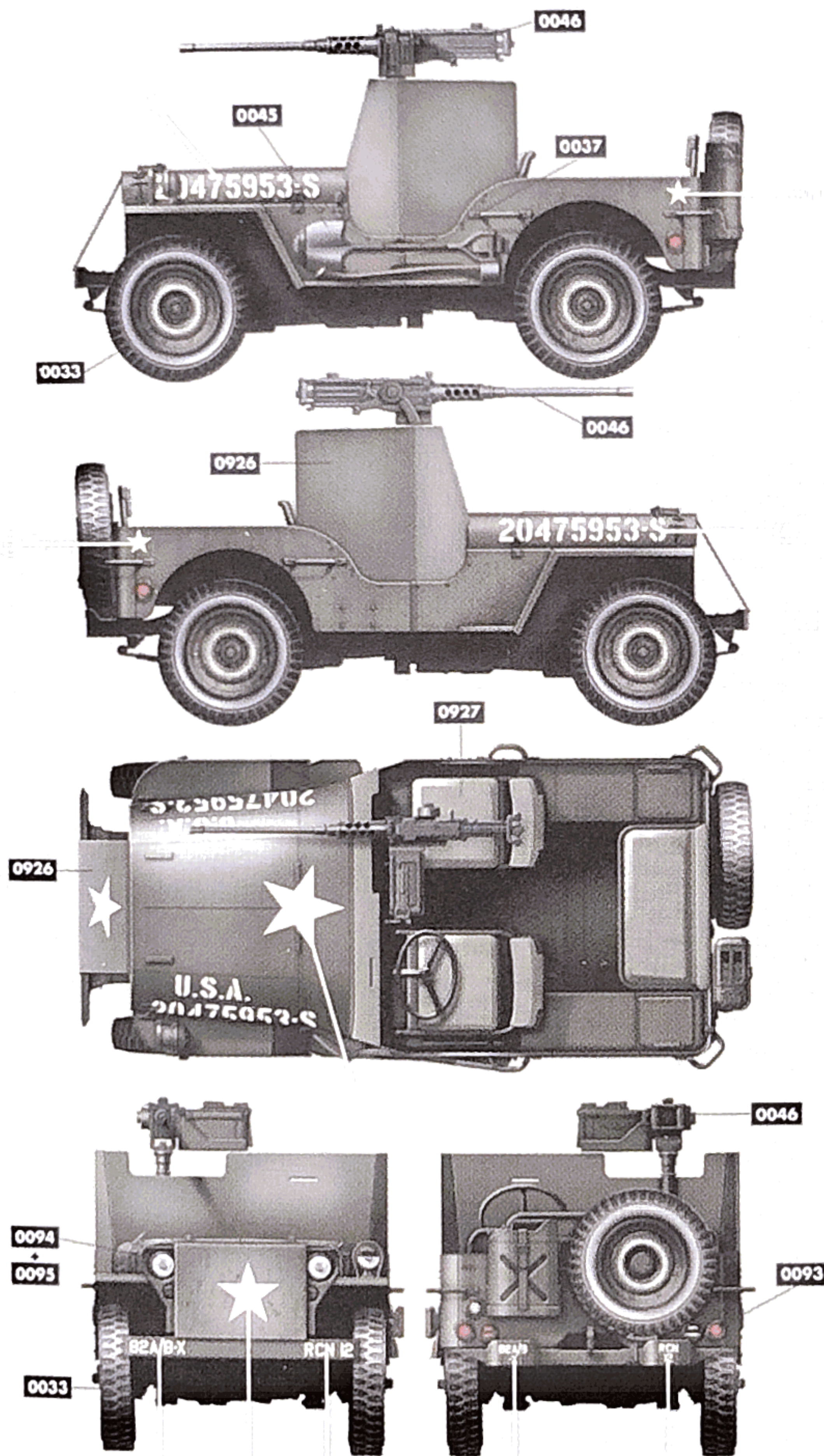
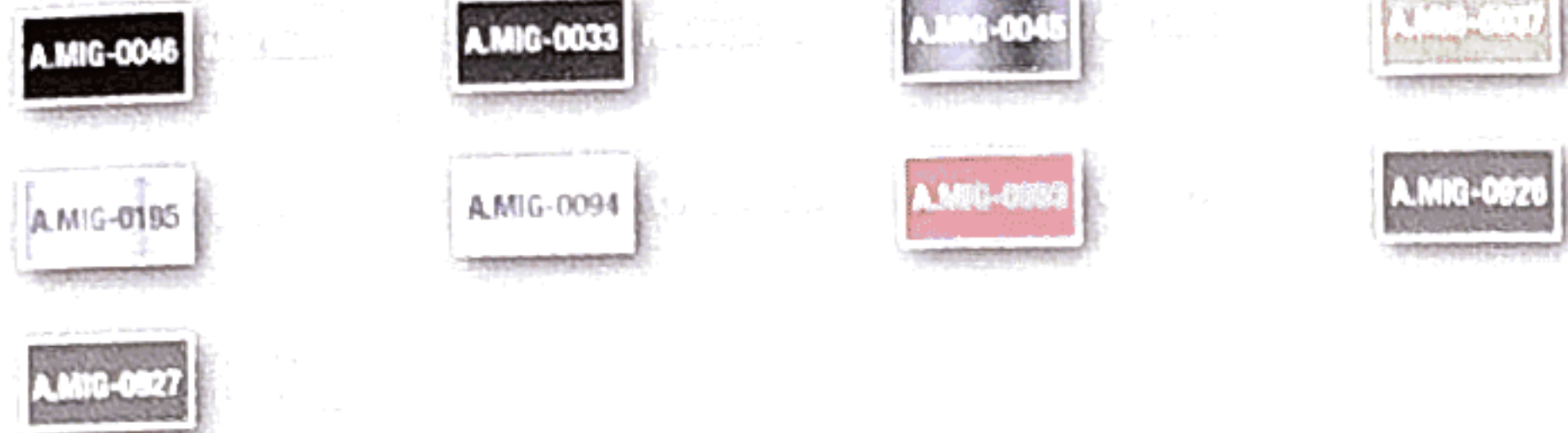


Painting and Marking Guide

TOP VIEW

FRONT VIEW

1. GENERAL WASH
2. FILTER
3. STREAMING
4. WHEELS WASH
5. DAMMERS
6. RUST
7. MUD
8. SPLASHES



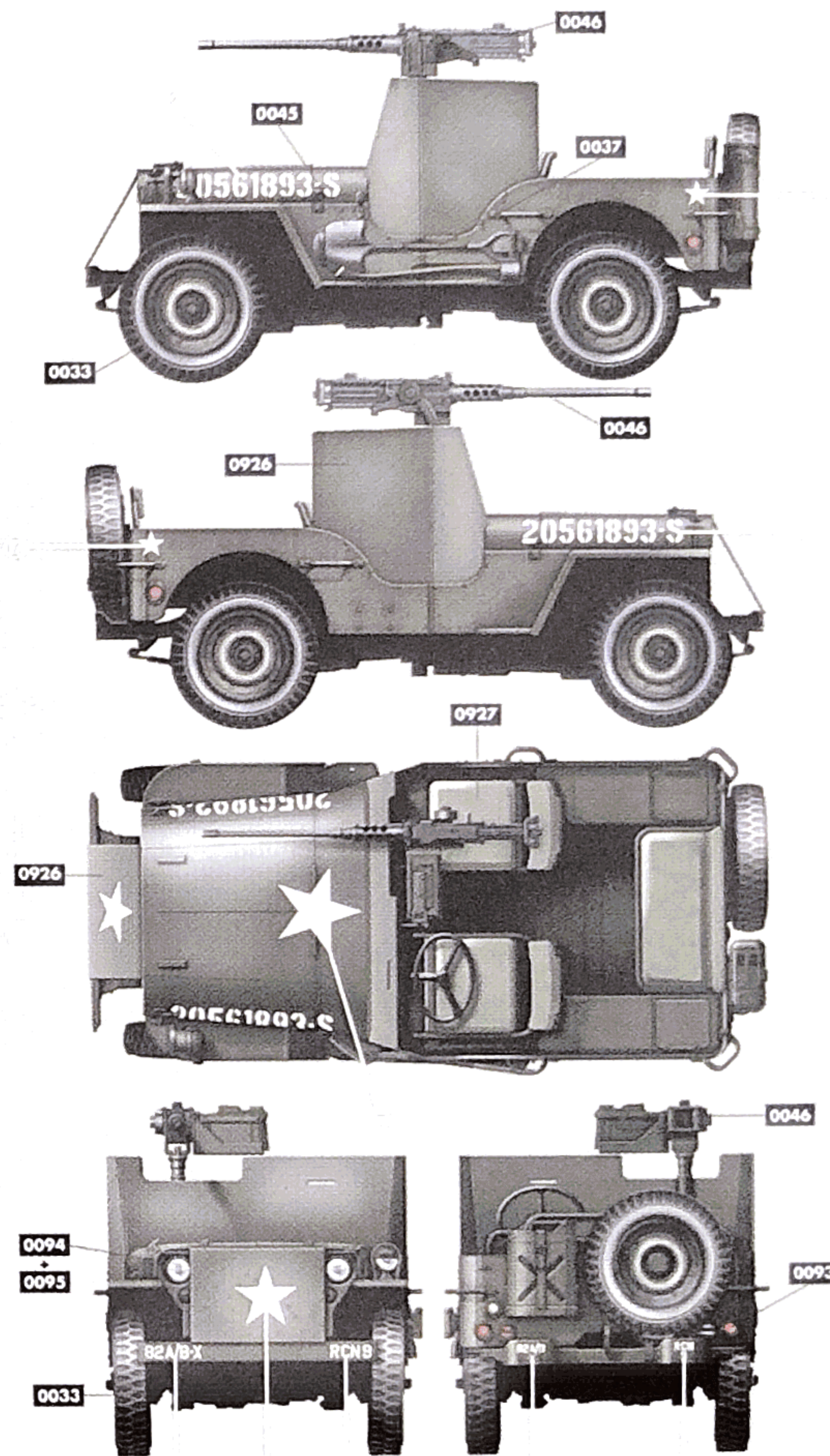
- 1. GENERAL WASH
A.MIG-1005 Dark Brown Wash for Green vehicles
- 2. FILTER
A.MIG-1508 Green for Grey Green
- 3. STREAMING
A.MIG-1253 Streaking/brusher Grime
- 4. WHEELS WASH
A.MIG-1401 Light Dust
- 5. DAMMERS
A.MIG-1208 Rainmarks Effects
- 6. RUST
A.MIG-3004 Europe Earth
- 7. MUD
A.MIG-1702 Turned Earth
- 8. SPLASHES
A.MIG-1752 Loose Ground

Painting and Marking Guide

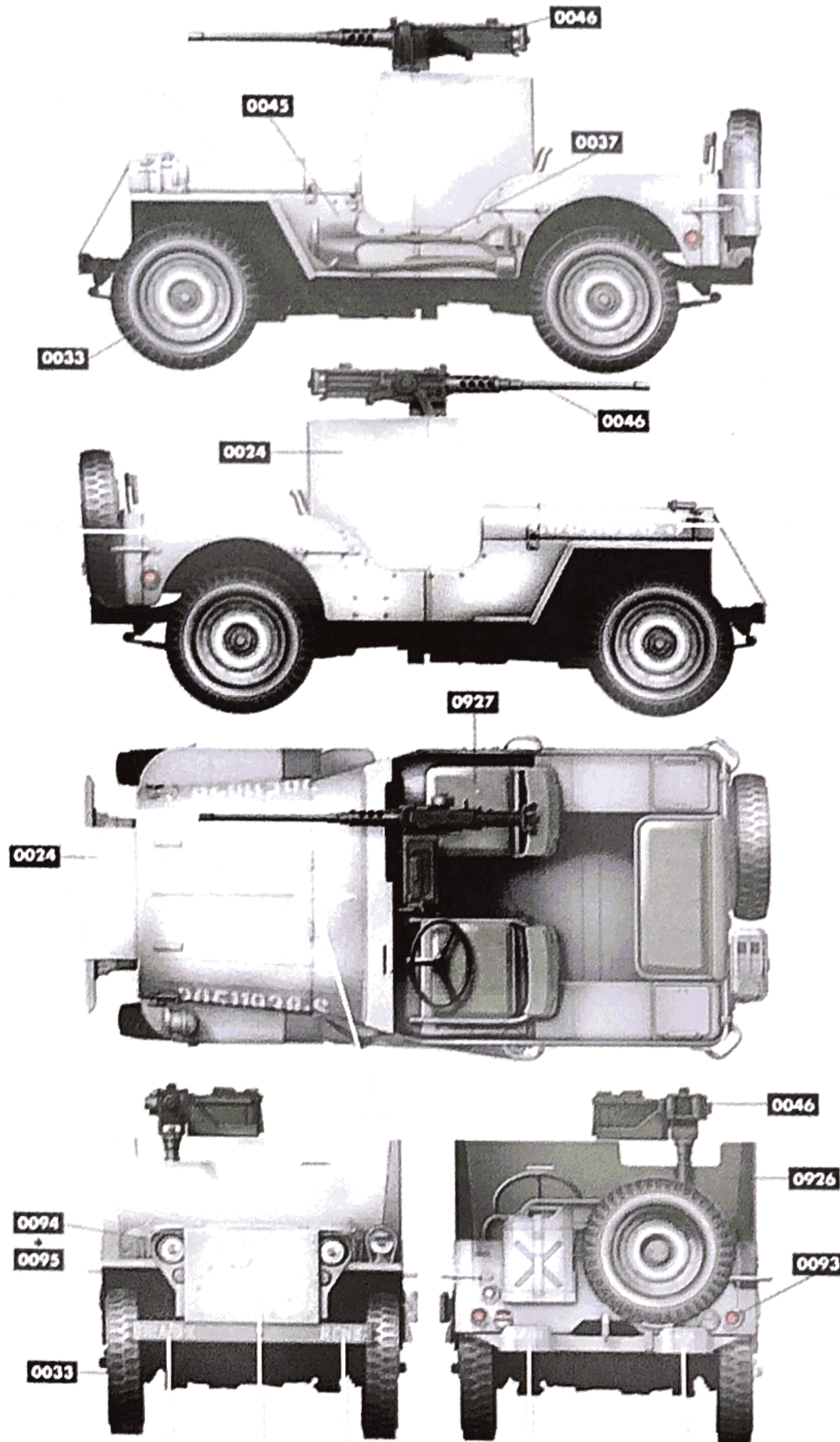
TOP VIEW

FRONT VIEW

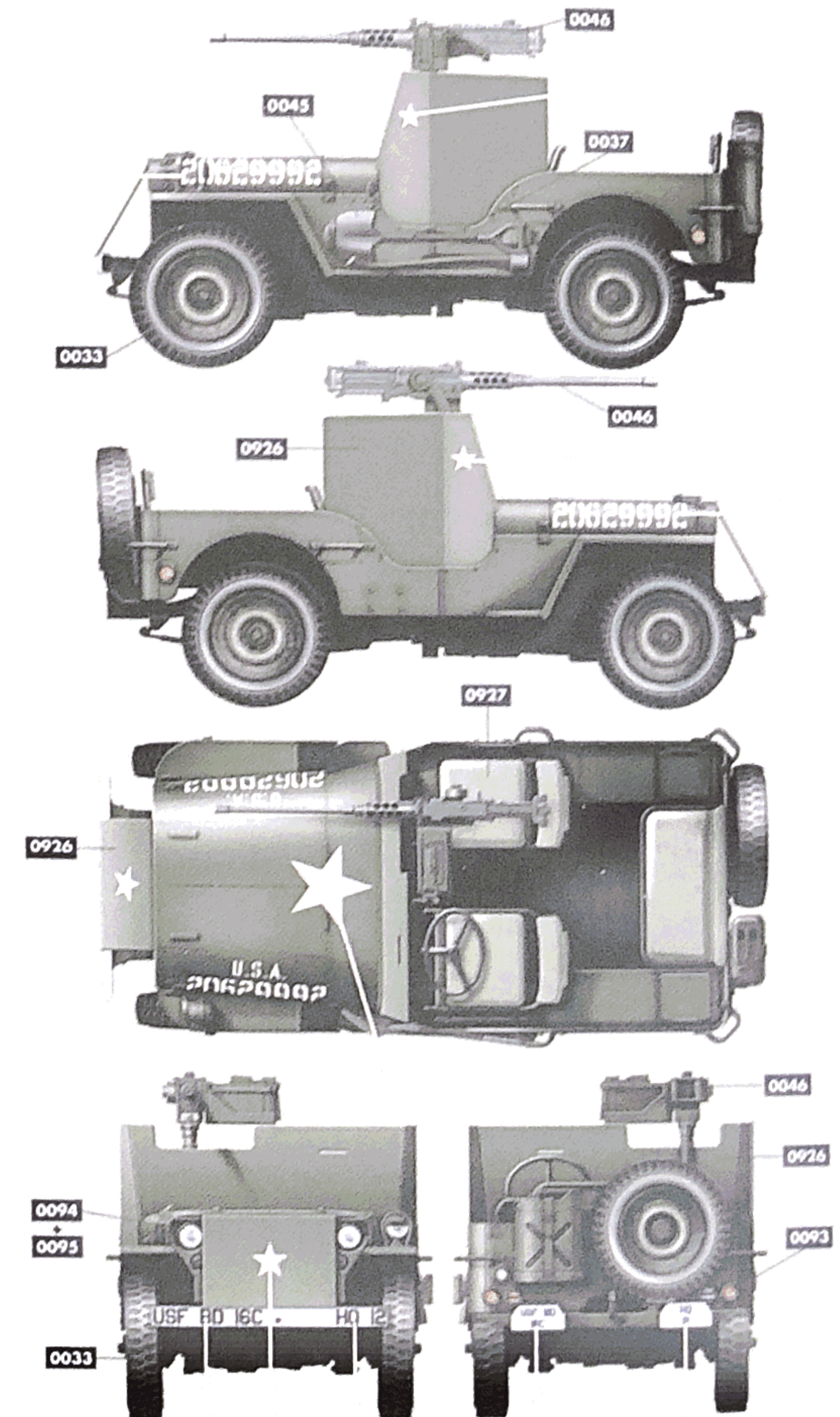
1. GENERAL WASH
2. FILTER
3. STREAMING
4. WHEELS WASH
5. DAMMERS
6. RUST
7. MUD
8. SPLASHES



- 1. GENERAL WASH
A.MIG-1005 Dark Brown Wash for Green vehicles
- 2. FILTER
A.MIG-1506 Brown for Dark Green
- 3. STREAMING
A.MIG-1251 Streaking/brusher Cold Dirty Grey
- 4. WHEELS WASH
A.MIG-1406 Damp Earth
- 5. DAMMERS
A.MIG-1254 Streaking/brusher Rust
- 6. RUST
A.MIG-3007 Dark Earth
- 7. MUD
A.MIG-1704 Heavy Earth
- 8. SPLASHES
A.MIG-1753 Turned Dirt



- | | | | |
|--|--|--|--|
| 1 GENERAL WASH
A.MIG-1010 Neutral Wash | 3 STREAKING
A.MIG-1205 Streaking Grime for Winter Vehicles | 5 RUST
A.MIG-1204 Streaking Rust Effects | 7 MUD
A.MIG-1705 Wet Mud |
| 2 WASH
A.MIG-1502 Dark Grey for White | 4 WINTER WASH
A.MIG-1405 Dark Mud | 6 WINTER SOIL
A.MIG-3029 Winter Soil | 8 WET GROUND
A.MIG-1755 Wet Ground |



- | | | | |
|--|--|--|--|
| 1 GENERAL WASH
A.MIG-1005 Dark Brown Wash for Green Vehicles | 3 STREAKING
A.MIG-1203 Streaking Grime | 5 STREAKING/GRASSHOPPER DUST
A.MIG-1258 Streaking/Grasshopper Dust | 7 MUD
A.MIG-1703 Mud on Ground |
| 2 WASH
A.MIG-1508 Green for Grey Green | 4 WINTER WASH
A.MIG-1403 Earth | 6 CITY DARK DUST
A.MIG-3028 City Dark Dust | 8 LOOSE GROUND
A.MIG-1752 Loose Ground |

