

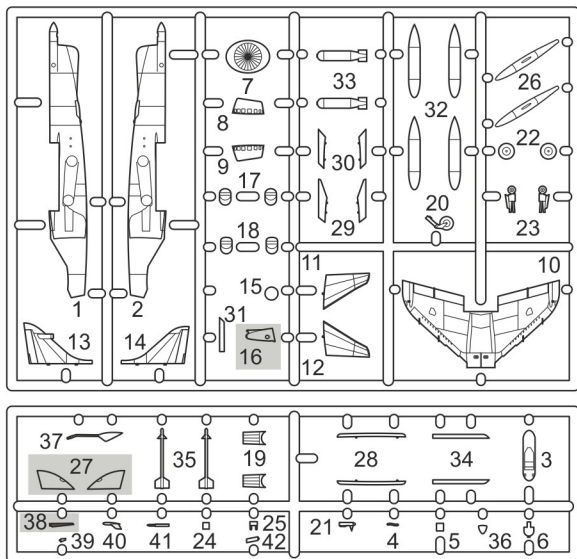
HARRIER GR.1/ VA.1 MATADOR

VTOL/STOL FIGHTER



MKM14487
1/144 scale

plastic parts

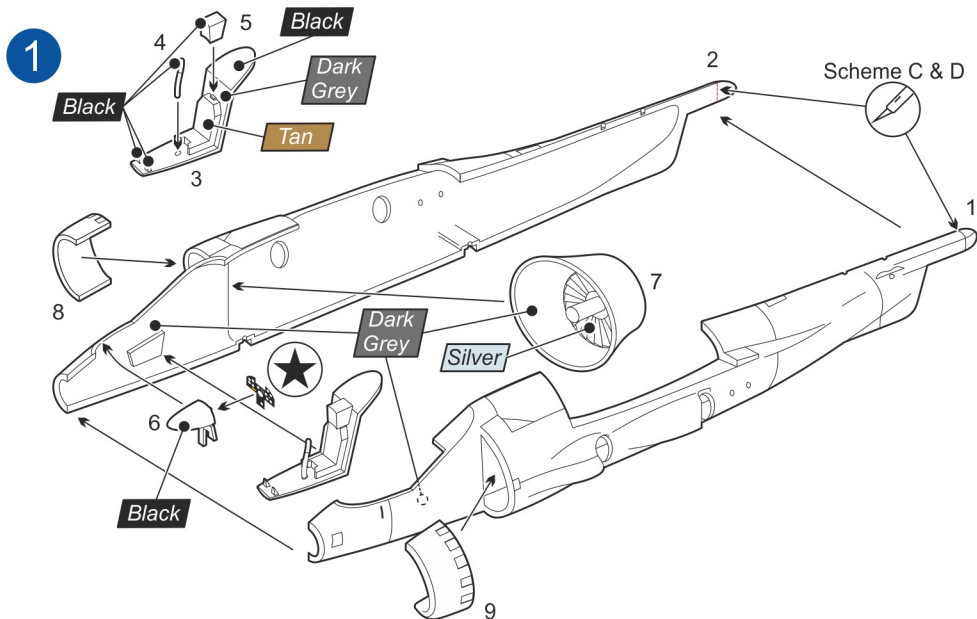


MARK I Ltd.
PO Box 10
Prague 10 - Strašnice
CZ-100 31
Czech Republic
mark1@cmail.cz
www.4pluspublications.com

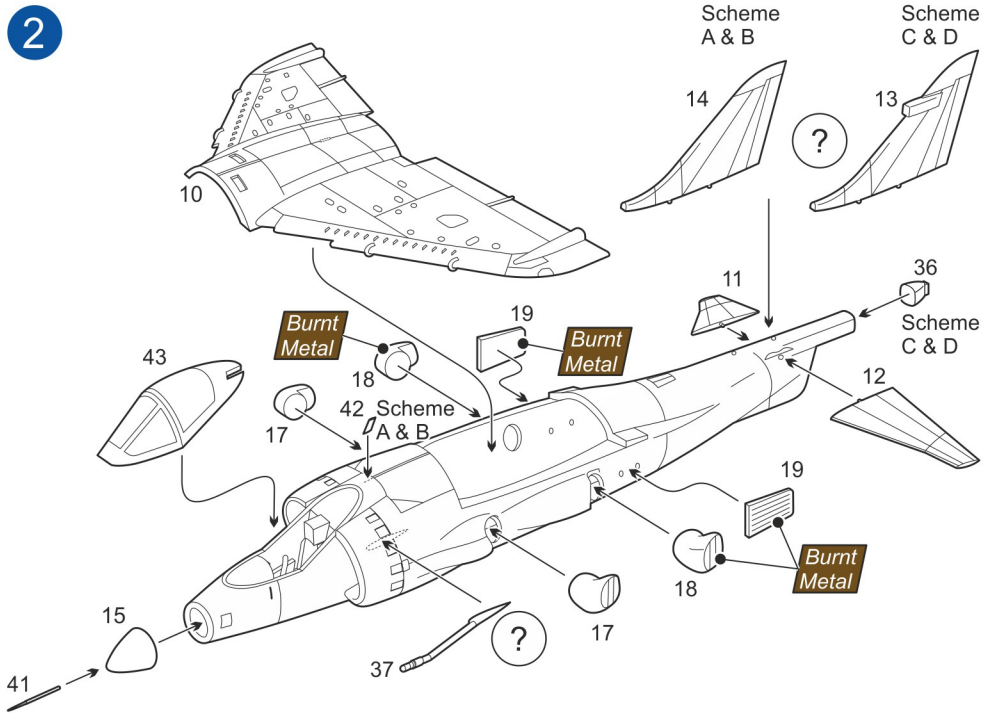
clear part



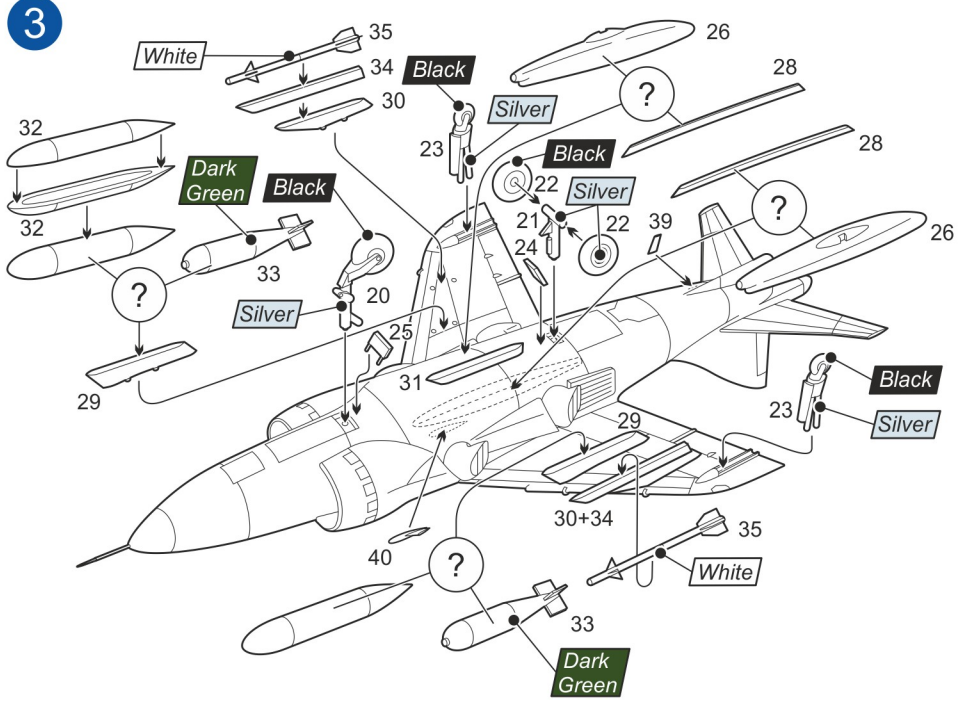
- 2x Repeat this operation
- Glue
- Don't glue
- Decal
- Detach/cut
- ? Optional



2

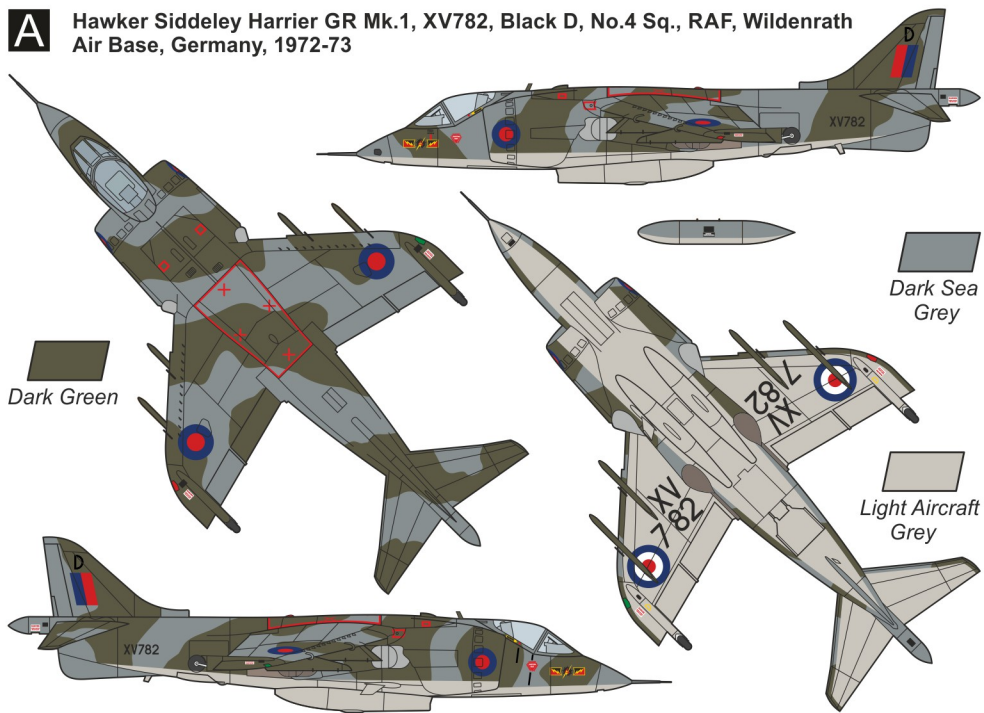


3

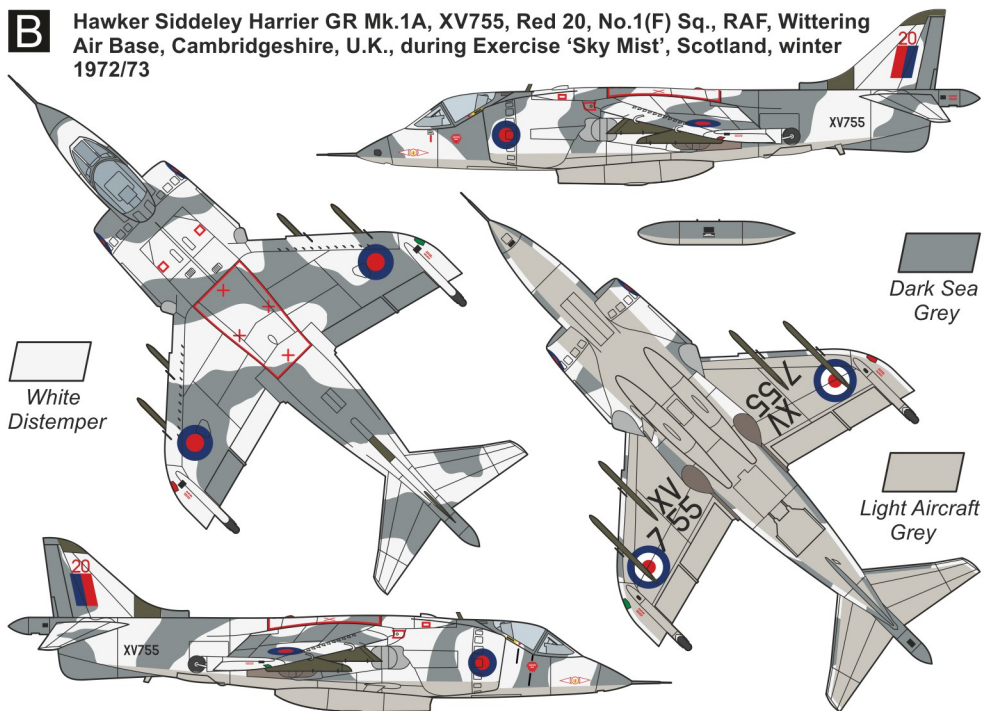


A

Hawker Siddeley Harrier GR Mk.1, XV782, Black D, No.4 Sq., RAF, Wildenrath Air Base, Germany, 1972-73

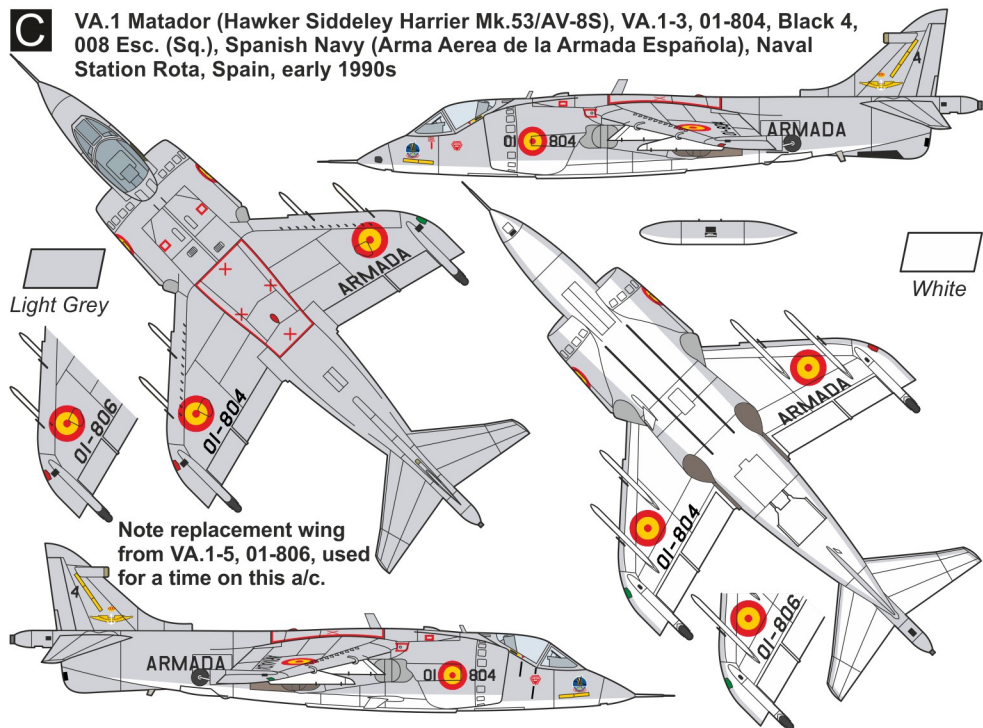
**B**

Hawker Siddeley Harrier GR Mk.1A, XV755, Red 20, No.1(F) Sq., RAF, Wittering Air Base, Cambridgeshire, U.K., during Exercise 'Sky Mist', Scotland, winter 1972/73



C

VA.1 Matador (Hawker Siddeley Harrier Mk.53/AV-8S), VA.1-3, 01-804, Black 4, 008 Esc. (Sq.), Spanish Navy (Arma Aerea de la Armada Española), Naval Station Rota, Spain, early 1990s

**D**

AV-8A Harrier (British Aerospace Harrier Mk.55), ex-VA.1 Matador, 161176 (ex-VA.1-8), Black 3108/8, No. 301 Sq., Royal Thai Navy (Kong Thap Ruea Thai), alternating between Royal Thai Naval Base U-Tapao and HTMS Chakri Naruebet (CVH-911), 1997

