

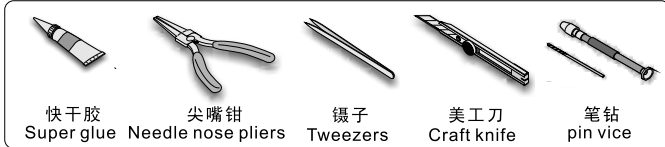
1/35 MILITARY MINIATURE VEHICLE UPGRADE SERIES PE35762

WWII German Tiger I Initial Production Afrika korp

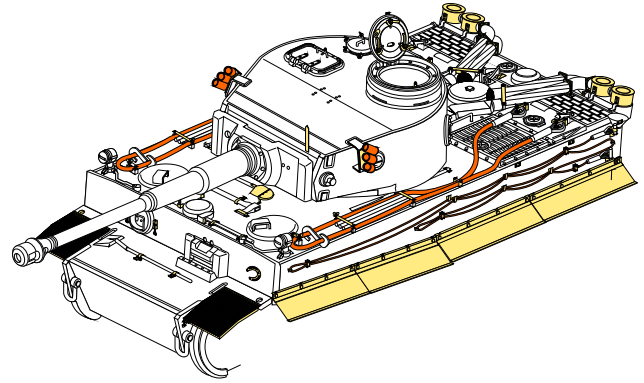
二战德军虎I型坦克极初期型非洲军团改造件










[For DRAGON kit]

推荐使用工具 RECOMMENDED TOOLS



快干胶 Super glue 尖嘴钳 Needle nose pliers 镊子 Tweezers 美工刀 Craft knife 笔钻 pin vice

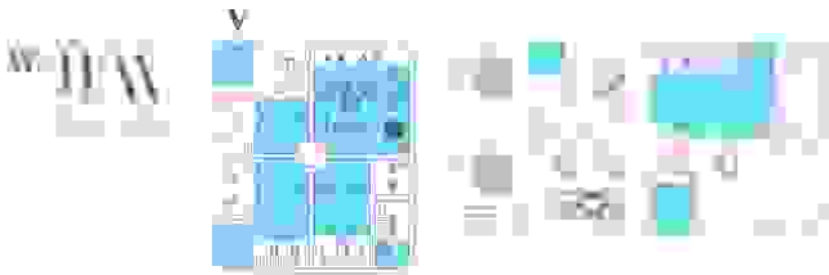
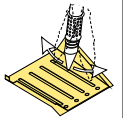


- 
安装
install
- 
折叠
bend
- A1**
改造件零件编号
PE/resin part number
- B12**
原零件编号
kit part number
- C22**
被替换的原零件编号
replaced kit part number
- 
 另一侧相同制作
repeat on opposite side
- 
切除
remove
- 
打磨
grind off
- 
弧度卷曲
radial bending
- x2**
制作若干组
multiple assembly
- 
选择安装
alternative
- 
用铜管制作
make from brass tube
- 
用胶棒制作
make from plastic rod


用尖端在凹槽处冲压
use penpoint to press on the dent

蚀刻片零件内朝面向上
Put the part upside down

用笔尖在凹槽处刺
Use penpoint to press on the dent



温馨提示:最适配的改造套件是威龙6286, 鉴于6286难以购买, 改造套件这里以6600为基底, 取威龙初期虎板件W, V, G为改造件, 剩余的初期虎套件可用于制作大战末期的亨美尔战斗群的混装虎, 详细改造方案可参考PE35768



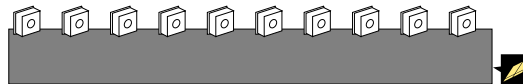
ACTION: The most adaptation kit is DML6286, but it is limited edition. We suggest use DML 6600 for basic kit and match DML tiger I early ver. kit parts W, V, G to upgrade.



注意不是直线 Not in a straight line

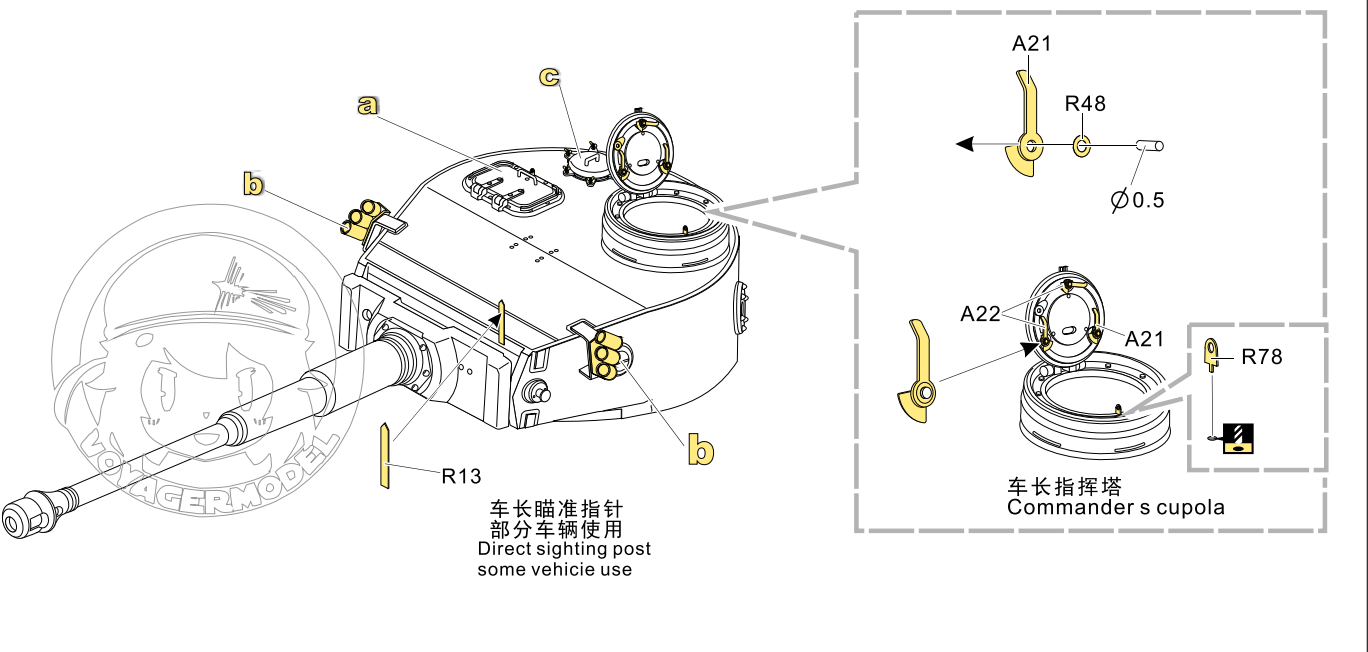
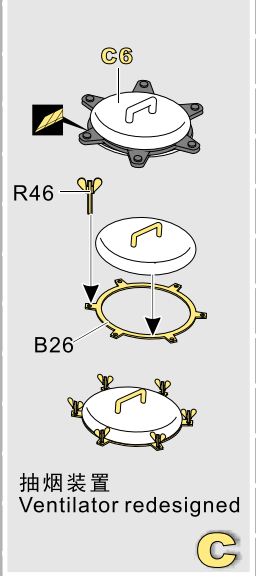
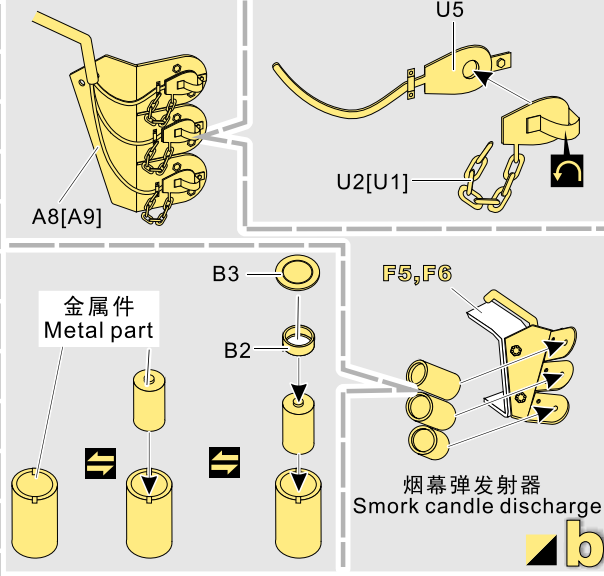
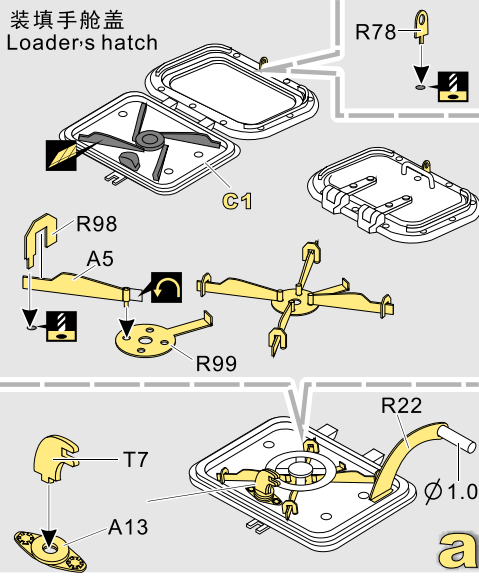
树脂件
Resin part

树脂件
Resin part

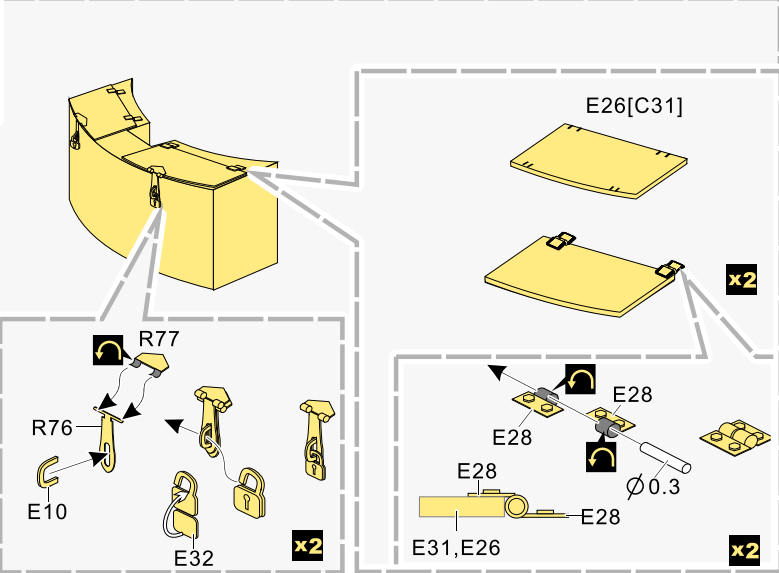
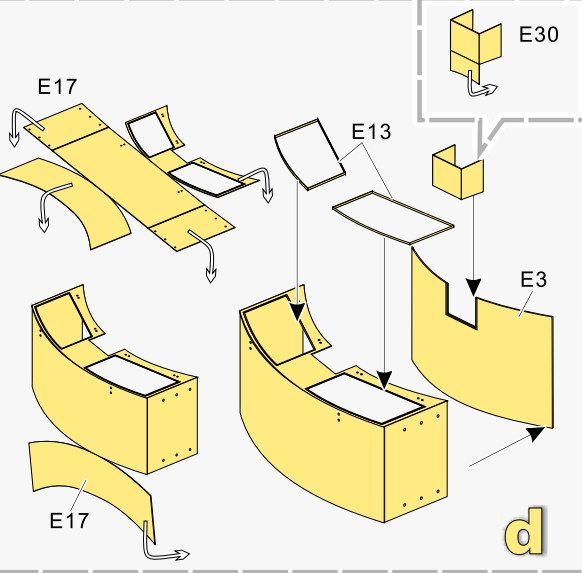


1/35 MILITARY MINIATURE VEHICLE UPGRADE SERIES PE35762

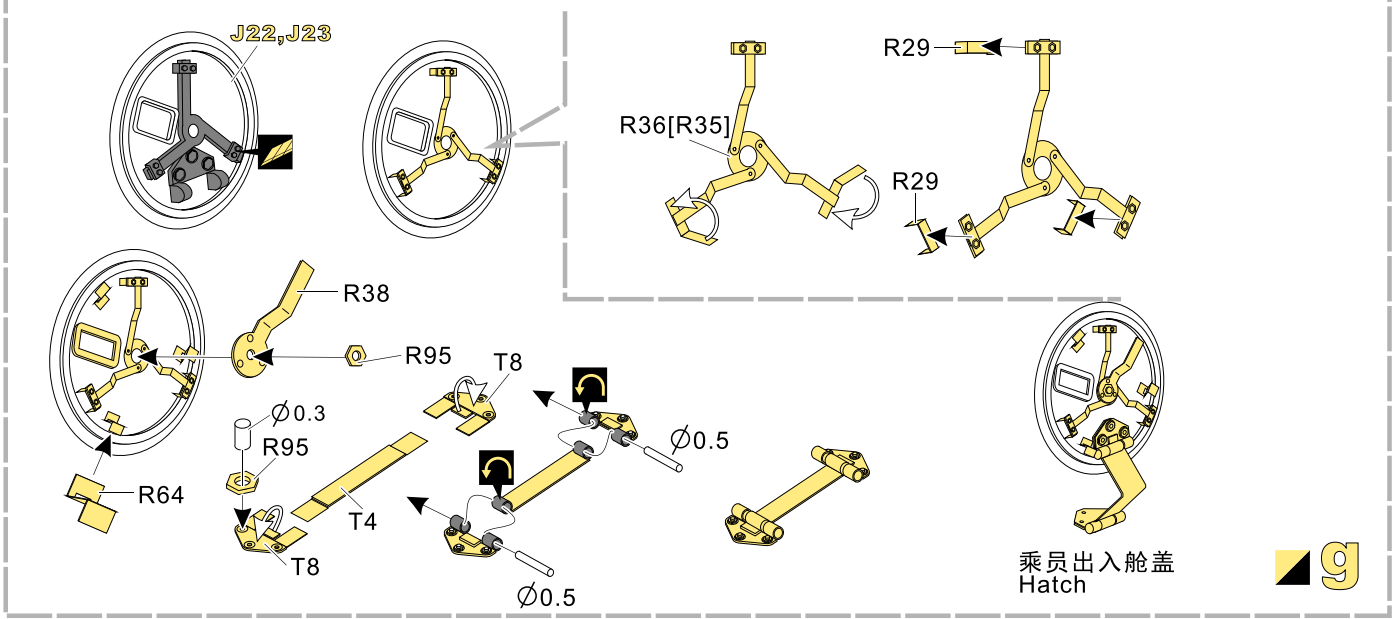
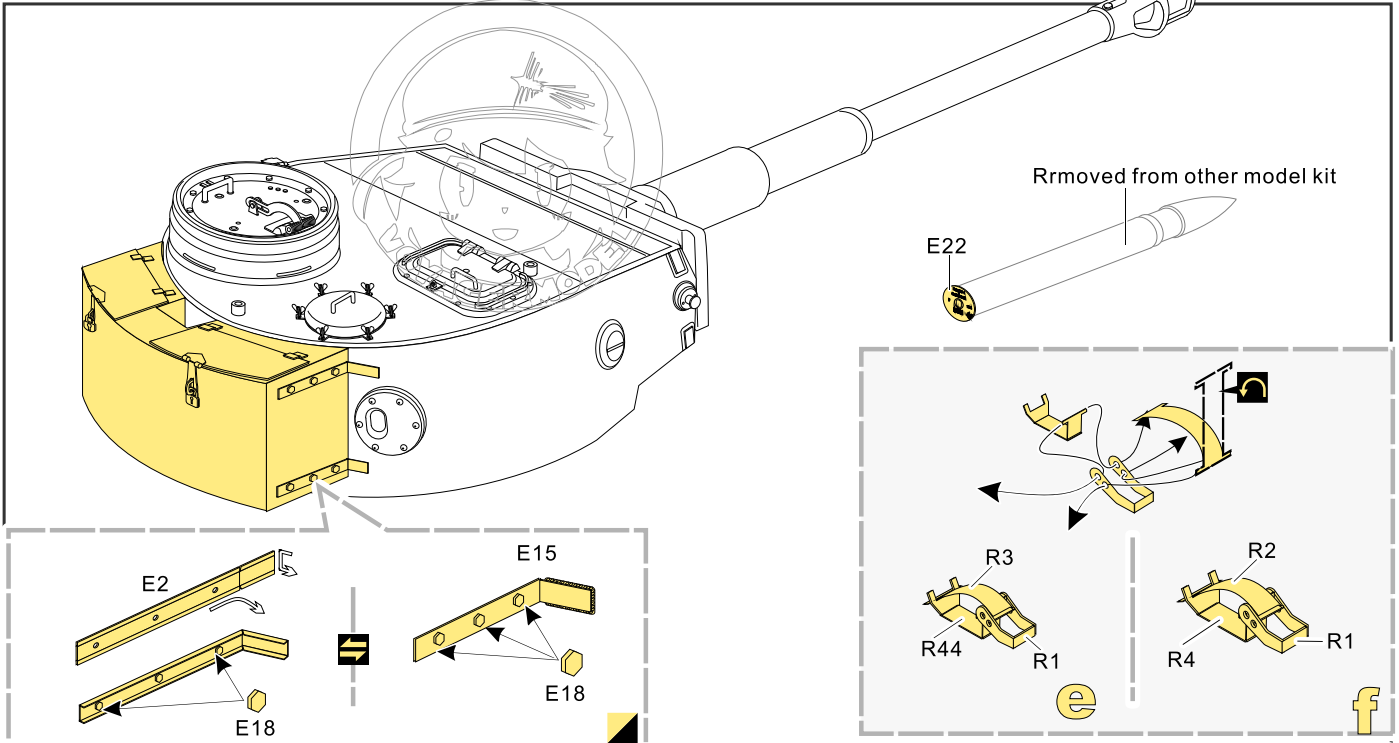
装填手舱盖
Loaders hatch



车长瞄准指针
部分车辆使用
Direct sighting post
some vehicle use



1/35 MILITARY MINIATURE VEHICLE UPGRADE SERIES PE35762



VOYAGER MODEL

更多PEA088样品照片参考请扫一扫
MORE PICTUER OF PEA 088
REFERENCE SCAN HERE

VOYAGER MODEL

更多VBS0105样品照片参考请扫一扫
MORE PICTUER OF VBS0105
REFERENCE SCAN HERE

VOYAGER MODEL

更多PE 35762样品照片参考请扫一扫
MORE PICTUER OF PE 35762
REFERENCE SCAN HERE

1/35 MILITARY MINIATURE VEHICLE UPGRADE SERIES PE35762

千斤顶枕木
Jack rest block

R28, Q1, R51, R27, R30, R49, R50

自制
Scratch build

h

钳子
Wirecutter

K10, T13, R68

i

撬棍
Crowbars

R37, R5, T13, 锤子
hammer

j

撬棍
Crowbars

K4, R5

k

斧头
axe

K8, T13, R39

l

圆锹
Shovel

K3, A10, A4, R43, R42, R6, R7

m

方锹
Large shovel

T48, R6, T13

少部分车辆使用
Some vehicles used

n

灭火器
Fire extinguisher

R40, R34, R103, R31, R32

J18

o

铜缆
Copper cable

TC-1, R71, R74, R70

x4

树脂件
Resin part

R92, R94, R9, R93

左侧
Left

右侧
Right

p

航向机枪
Bow machine gun mount

Q2, Q1, R60, B18, R61

x6

q

自制
Scratch build

B20, B24, J16

s

树脂件
Resin part

E6

去掉最外侧轮毂时使用
Use this part when not installing outer wheel hub

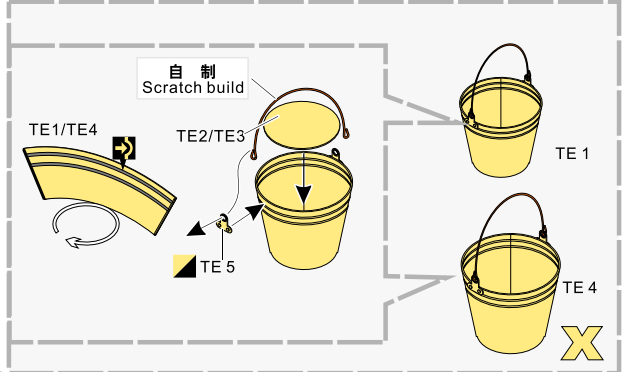
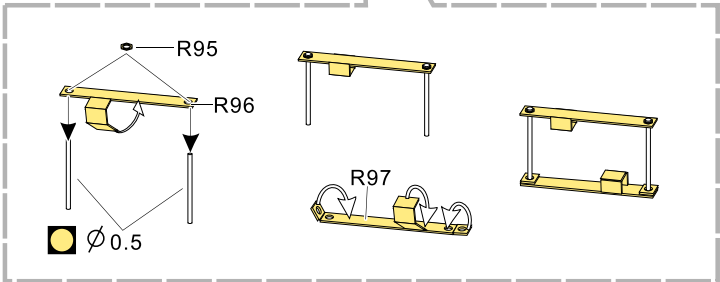
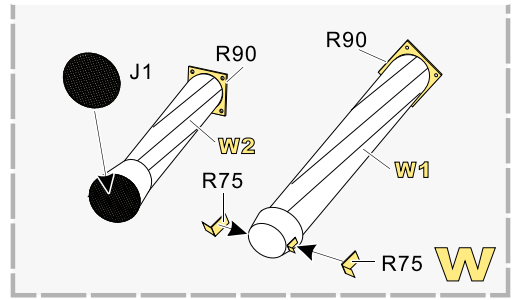
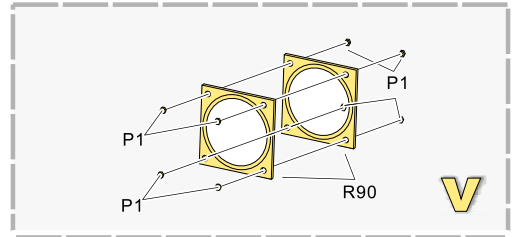
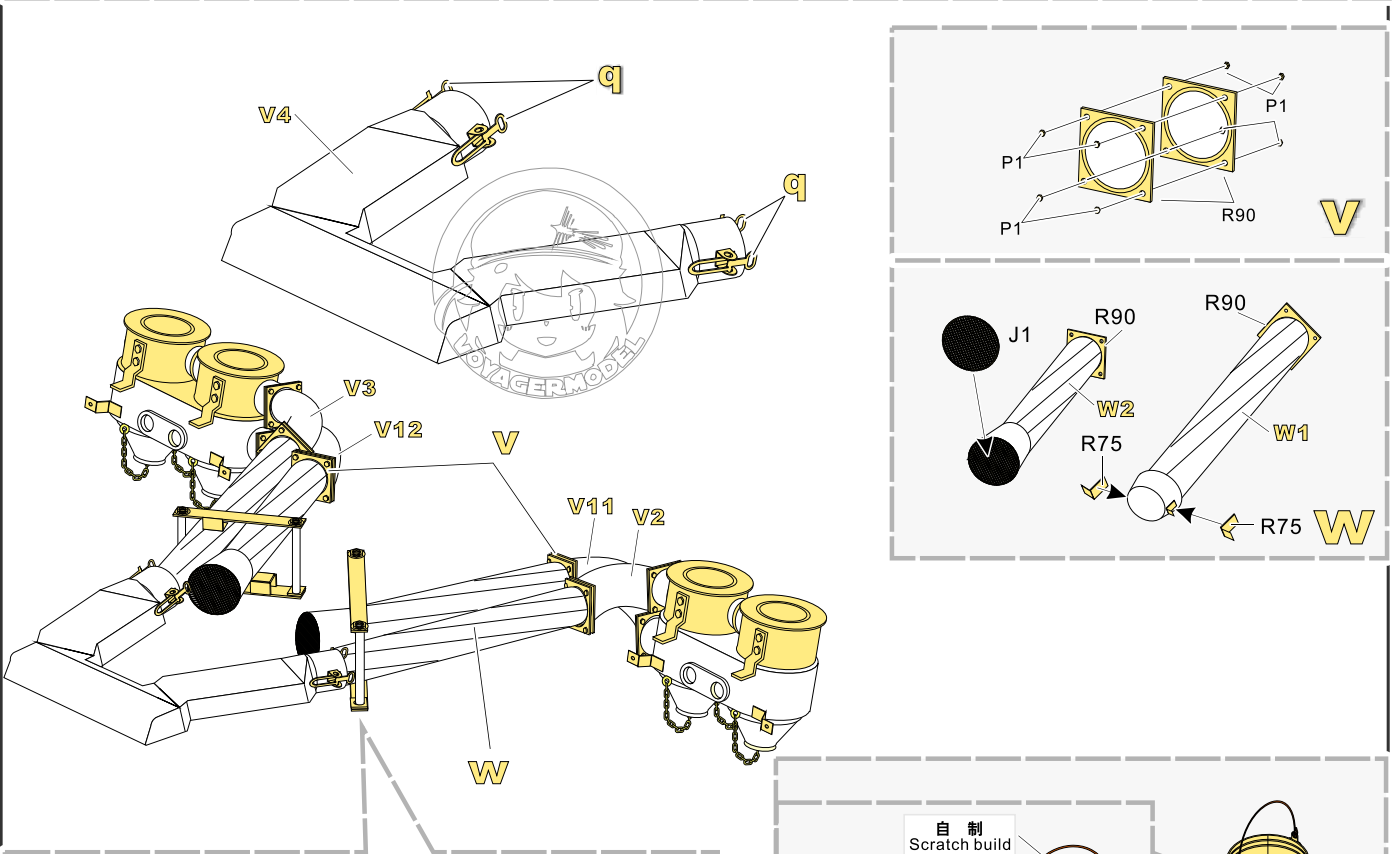
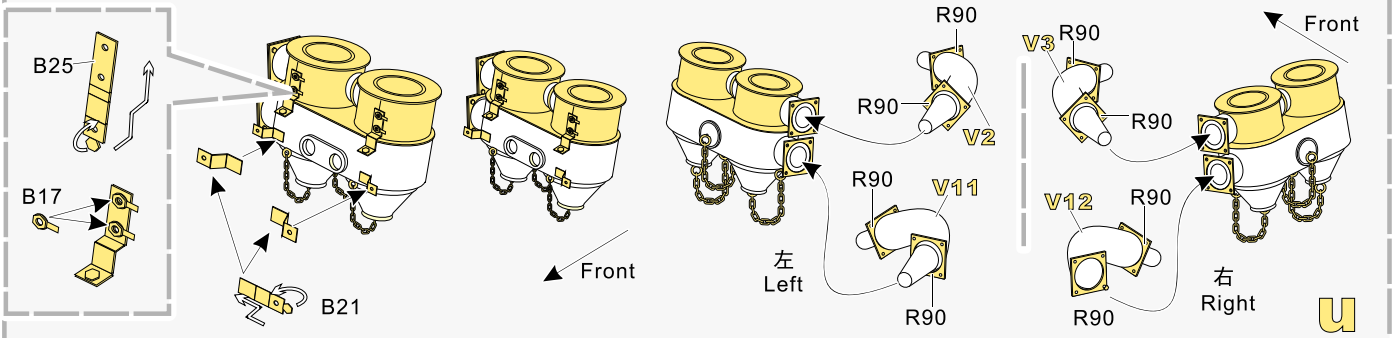
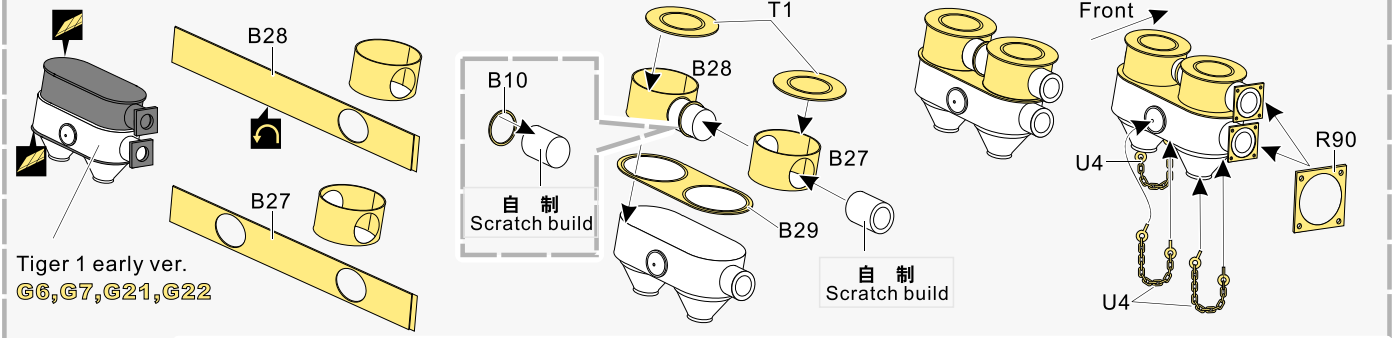
t

**Panzerkampfwagen
Tiger I.Ausf.E
(Sd.Kfz.181)
s.Pzabt.501 in Tunisia**

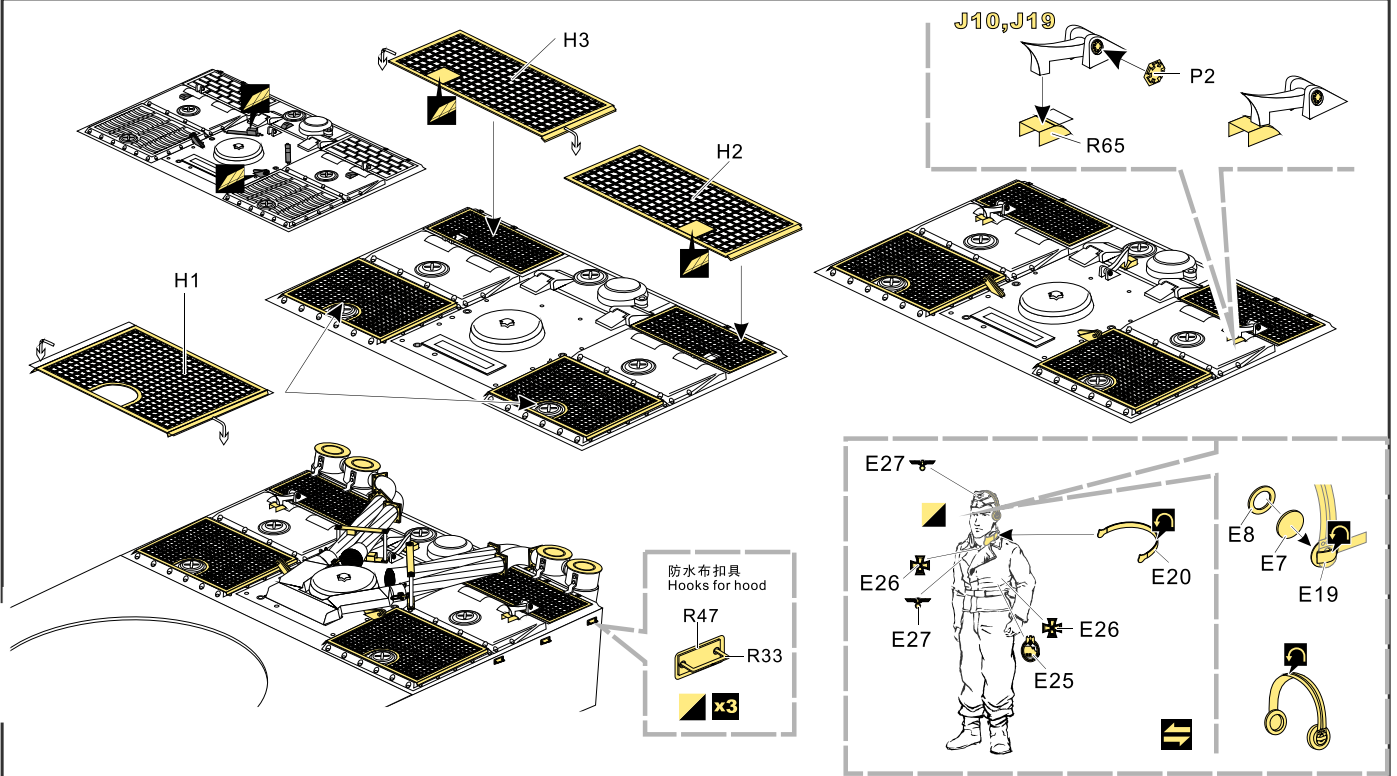
NAME PLATE
铭牌

u

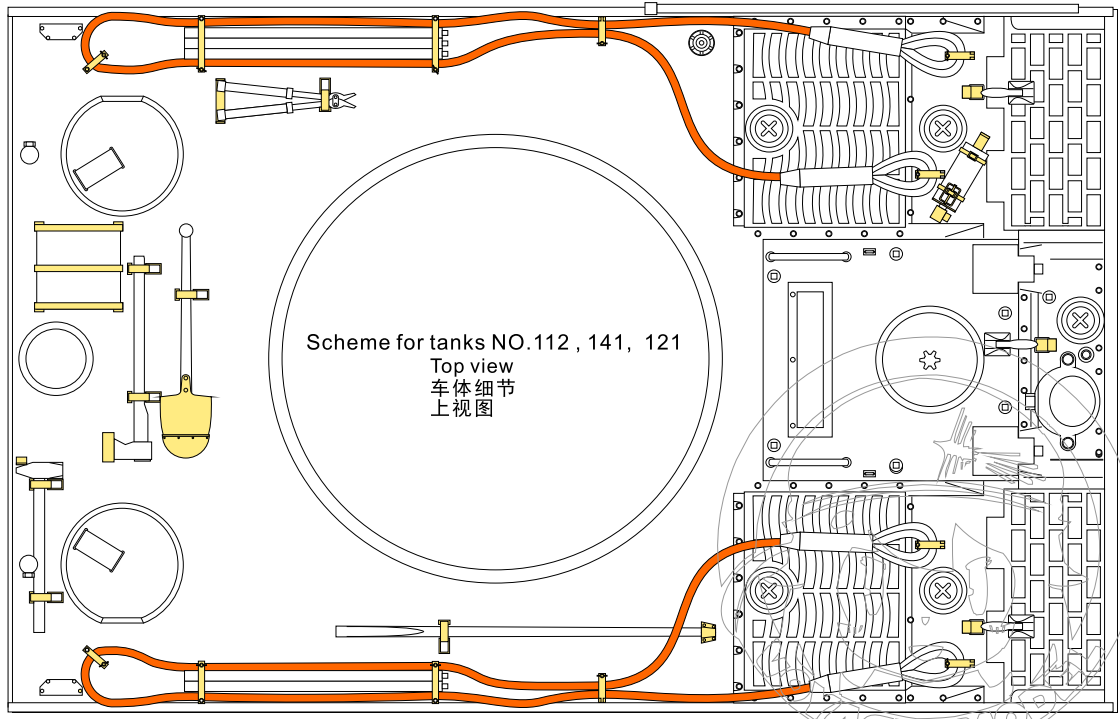
1/35 MILITARY MINIATURE VEHICLE UPGRADE SERIES PE35762



1/35 MILITARY MINIATURE VEHICLE UPGRADE SERIES PE35762



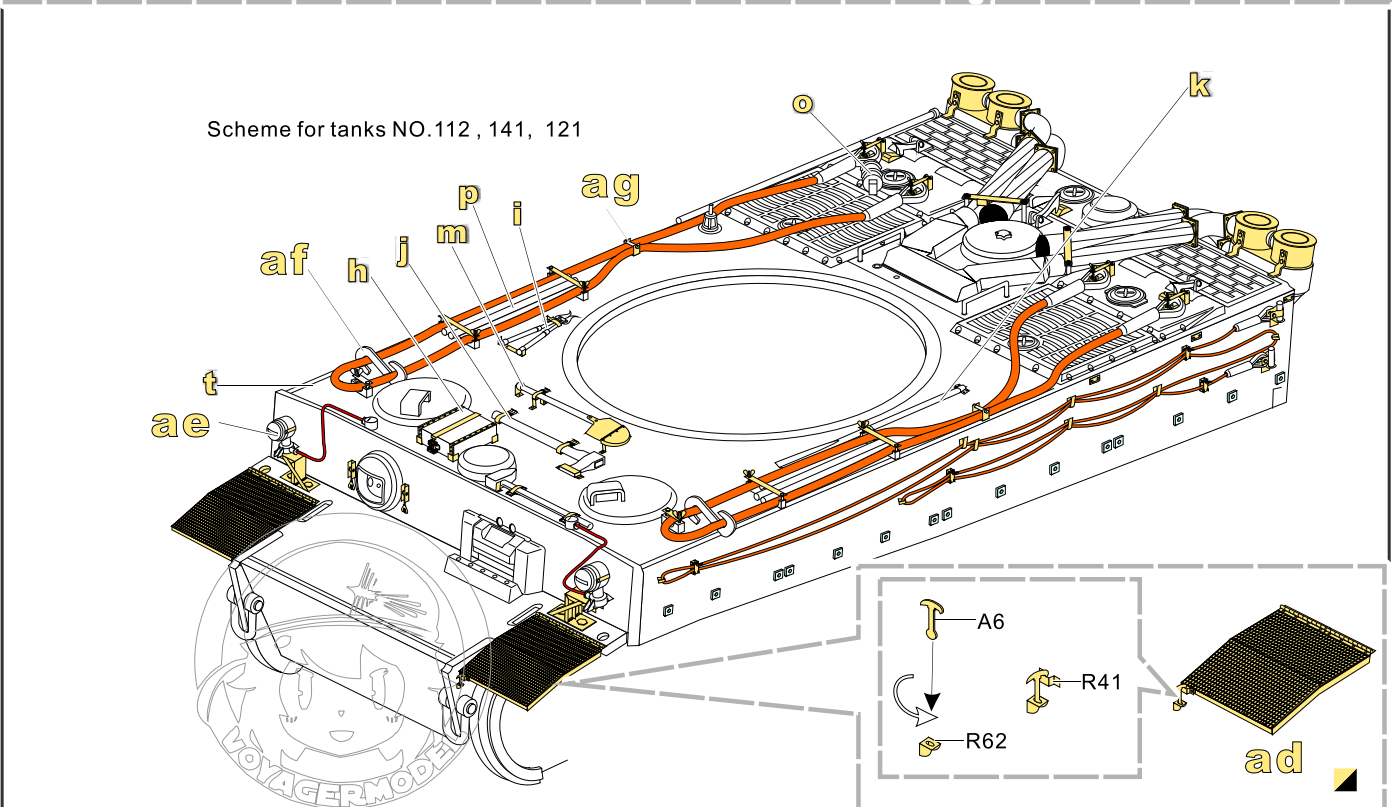
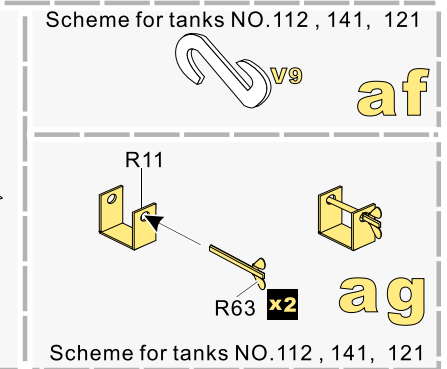
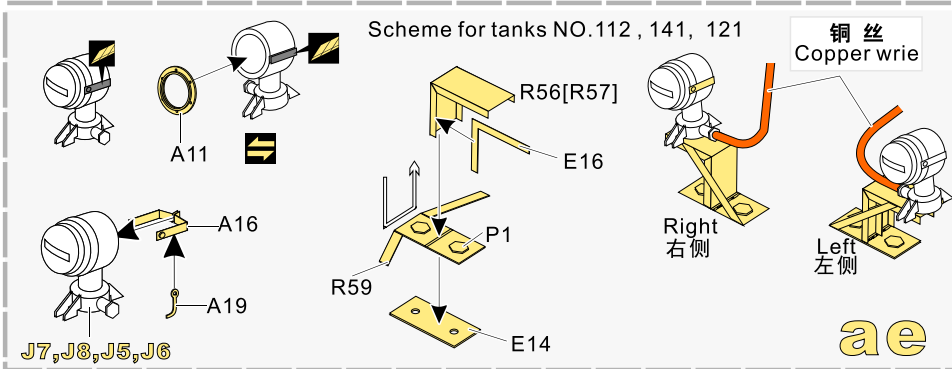
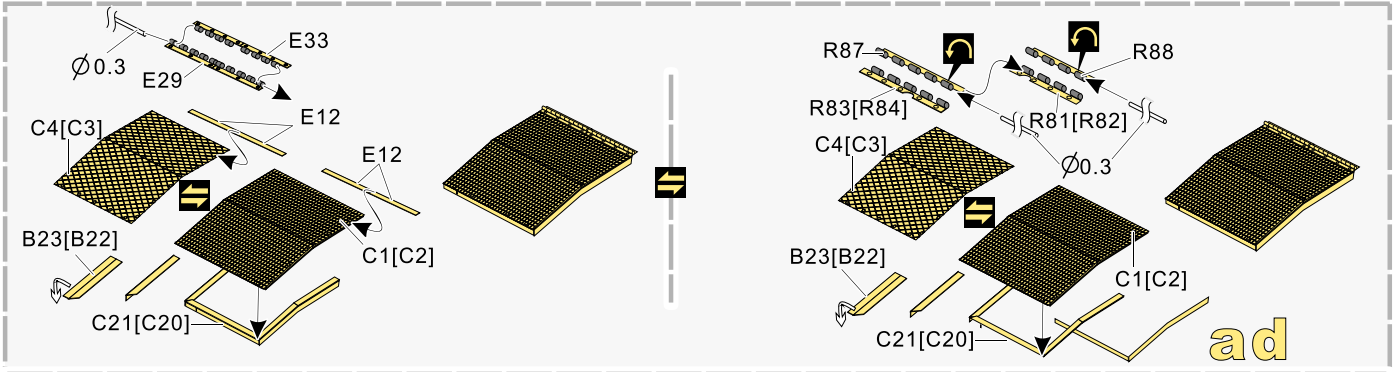
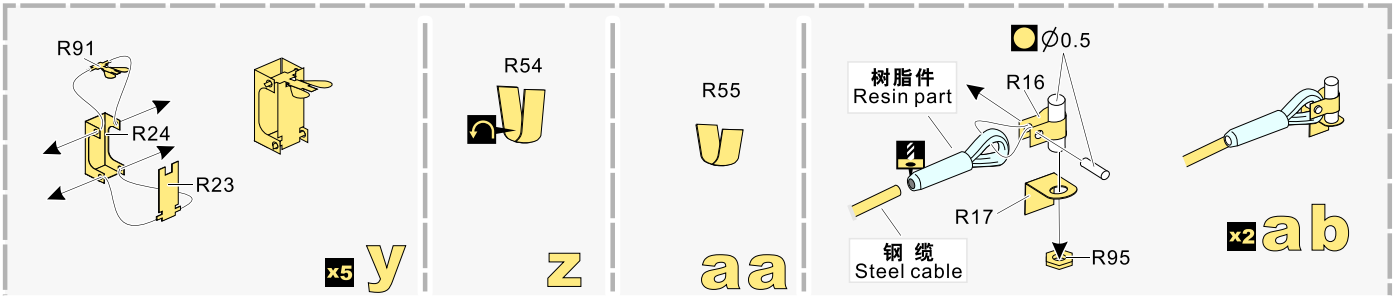
E7



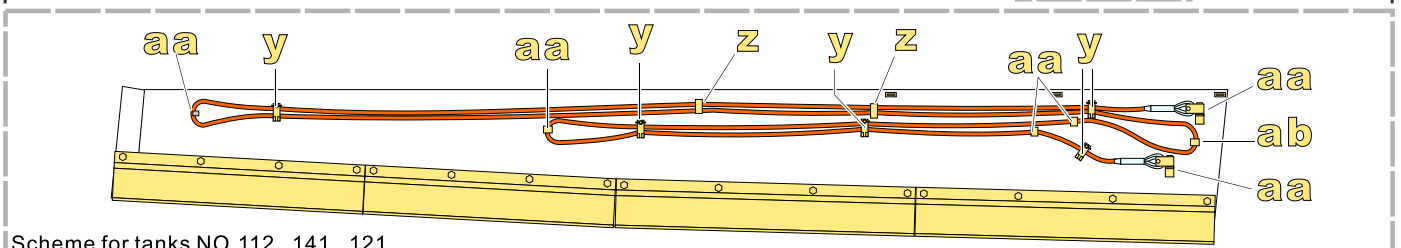
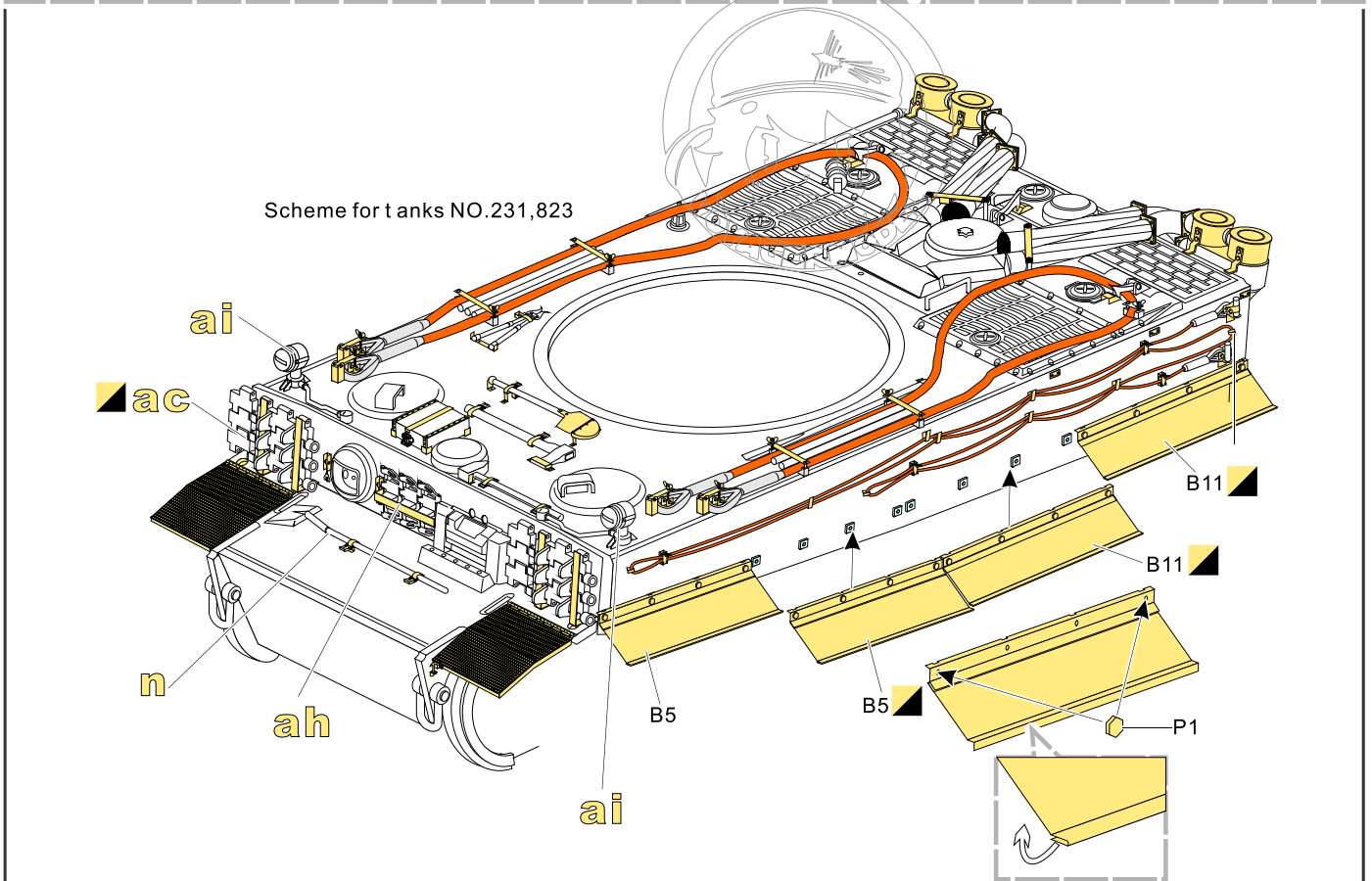
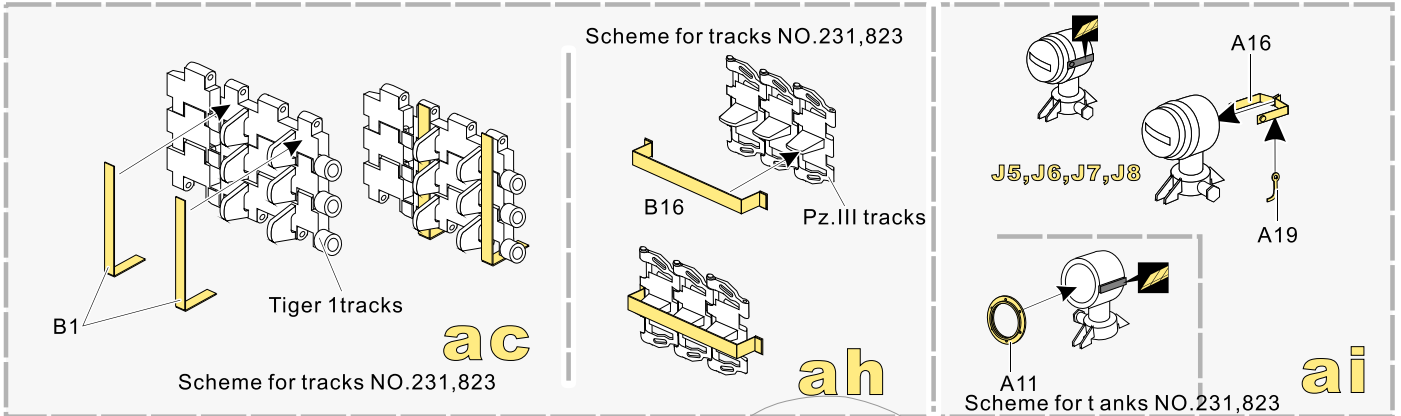
VOYAGERMODEL[®] 无懈不至 极尽享受
The Best Upgrade Solution

Recommended item	
VBS 0105	WWII German Tiger I Barrel (Early Version)
PE 35179	WWII German Tiger I Late Production
PE 35377	WWII German Tiger I MID Production
PE 35542	WWII German Tiger I Early Production
PE 35196	WWII German Tiger I Initial Production Afrika korp
PE 35542	WWII German Tiger I Early Production
PE 35613	WWII German Tiger I Early Production (smoke discharger include)
PEA 088	WWII German Tiger I early Production Demeged Road wheels
VBS 0106	WWII German JagdTiger Barrel
VBS0111	WWII German Tiger I Barrel (Mid/Late Version)

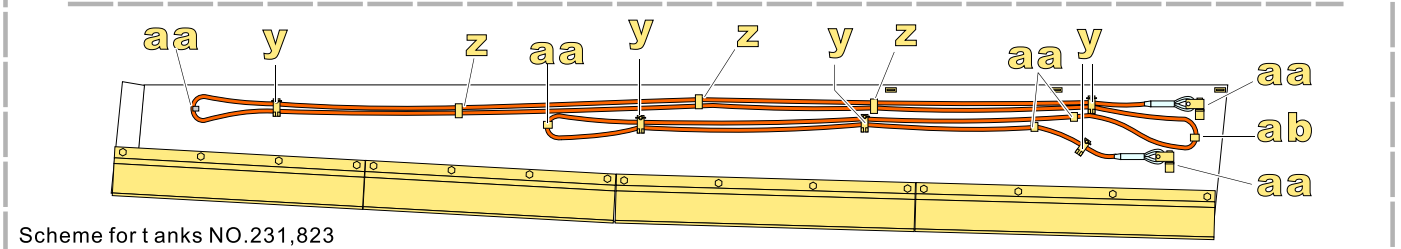
1/35 MILITARY MINIATURE VEHICLE UPGRADE SERIES PE35762



1/35 MILITARY MINIATURE VEHICLE UPGRADE SERIES PE35762



Scheme for tanks NO.112 , 141, 121



Scheme for tanks NO.231,823

1/35 MILITARY MINIATURE VEHICLE UPGRADE SERIES PE35762

