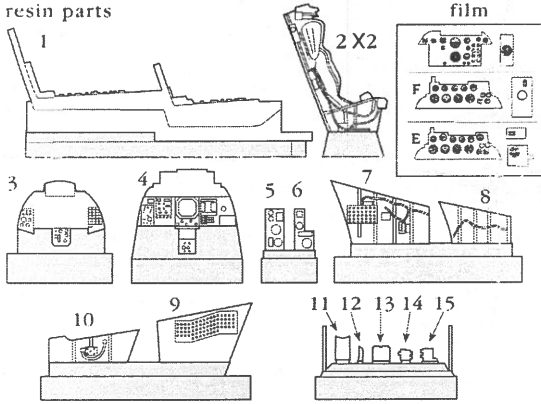


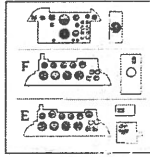
F-4E/F Phantom 1/72

Cockpit set for Revell kit

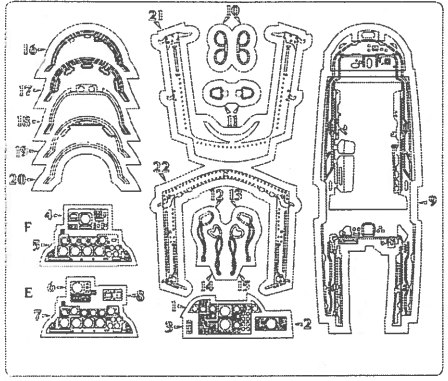
resin parts



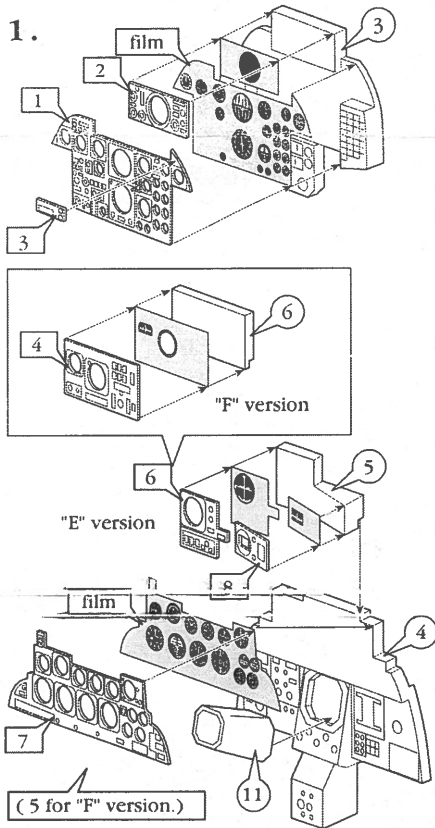
film



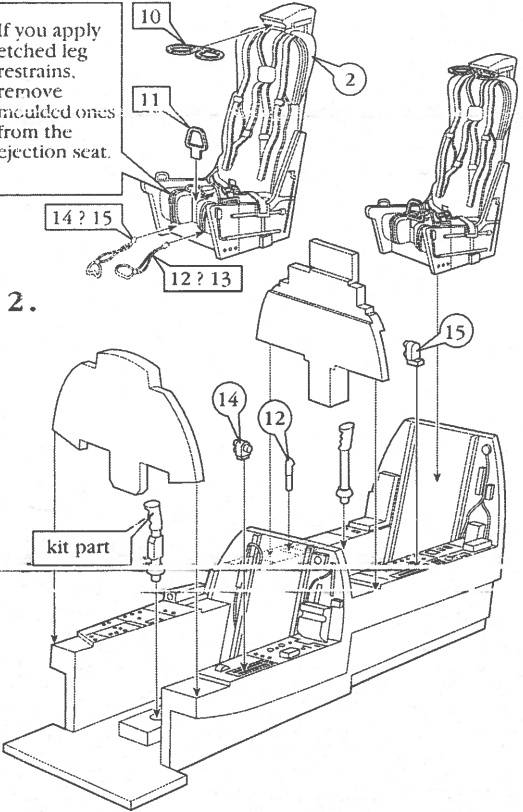
etched parts



1.

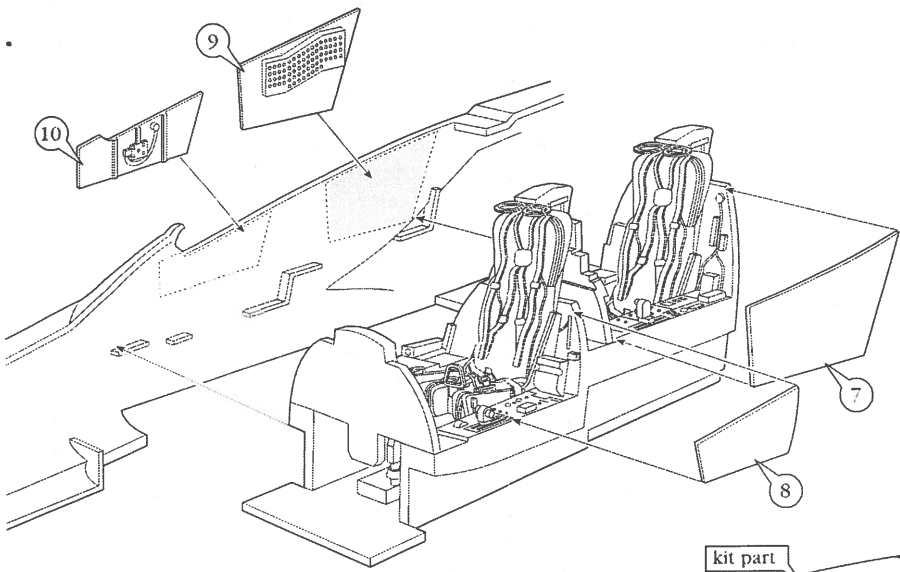


If you apply etched leg restrains, remove moulded ones from the ejection seat.

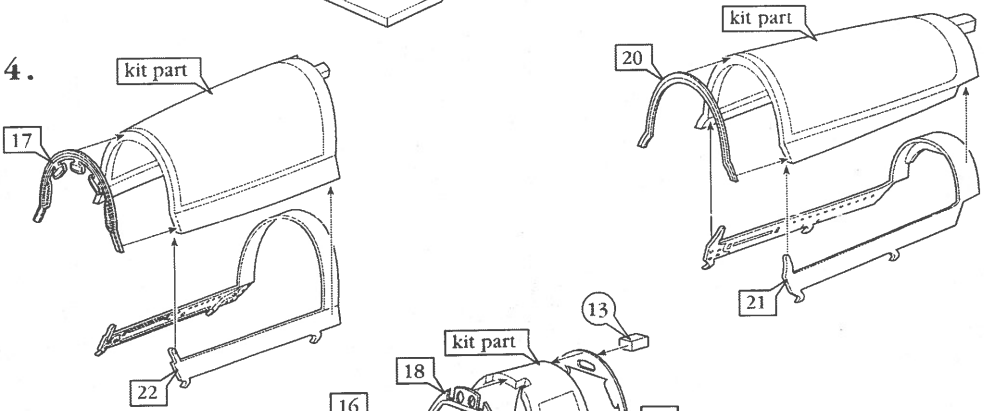


2.

3.



4.



5.

