



1/72 SCALE MODEL CONSTRUCTION KIT



**Republic P-43  
Lancer  
(reconnaissance)**

**DW 72029**

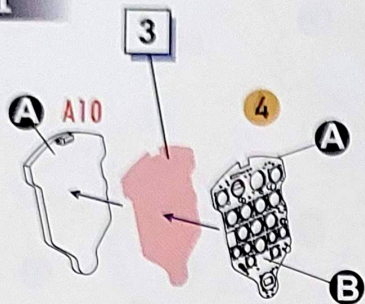




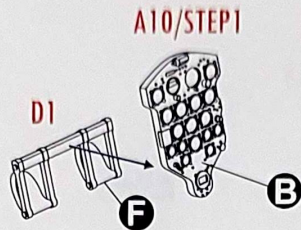


# ASSEMBLY INSTRUCTION

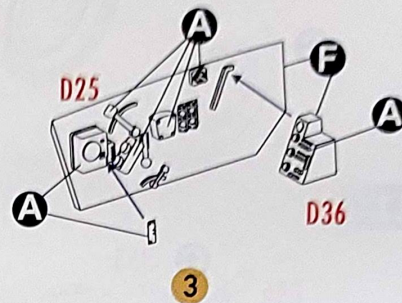
1



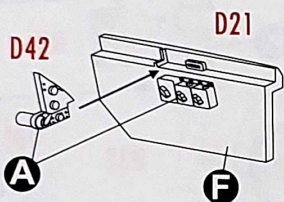
2



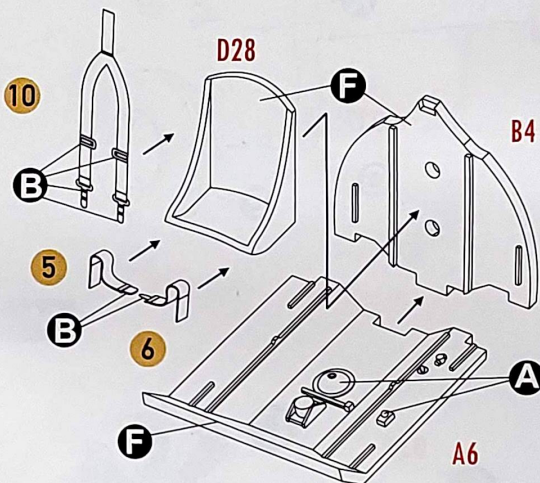
3



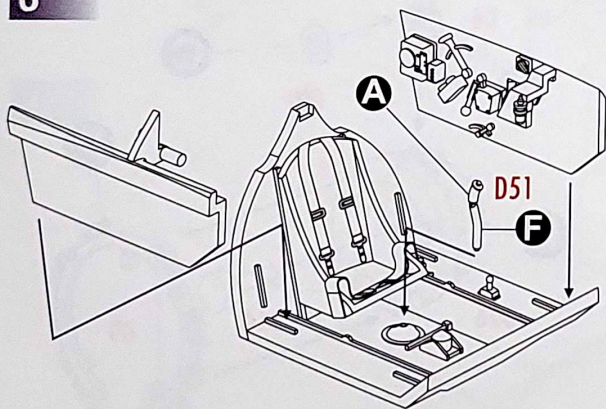
4



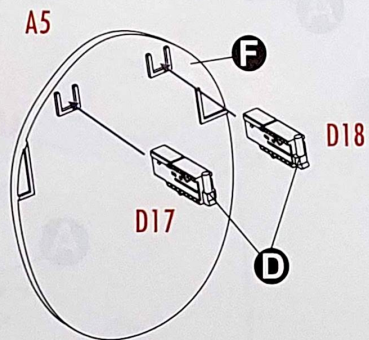
5



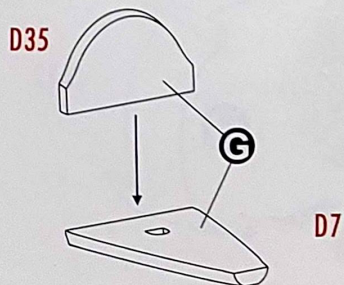
6



7

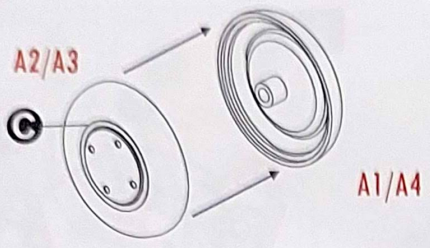


8

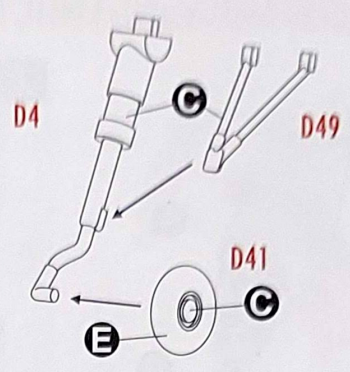




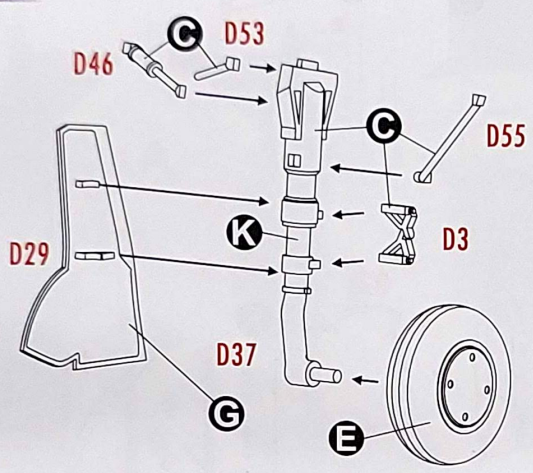
9



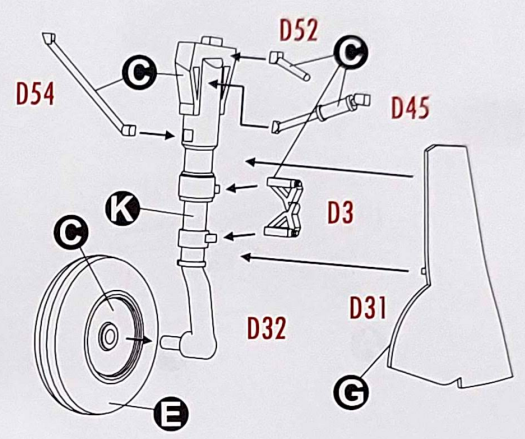
10



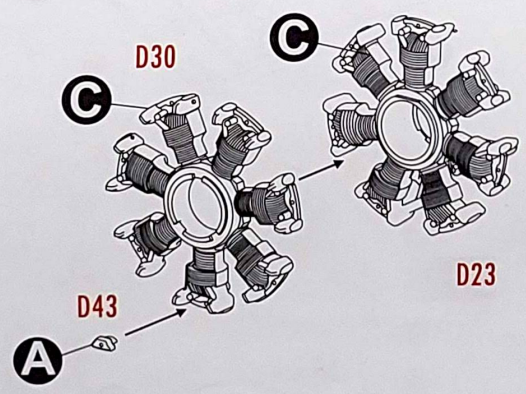
11



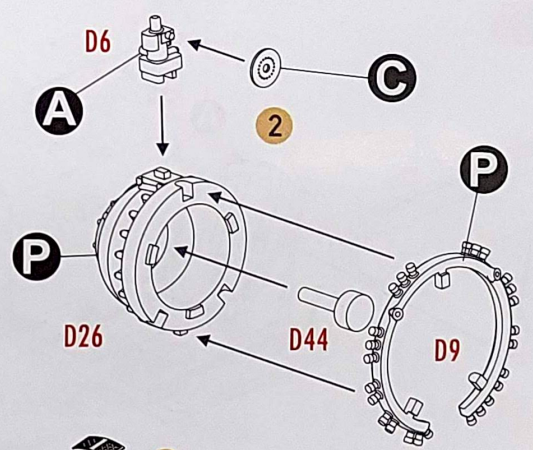
12



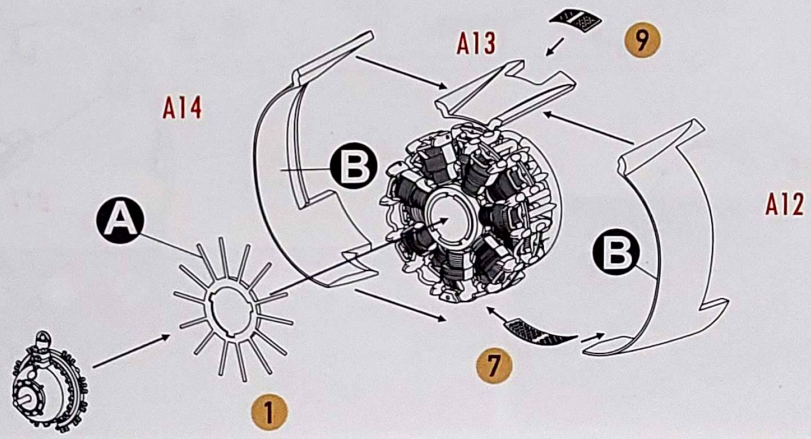
13



14

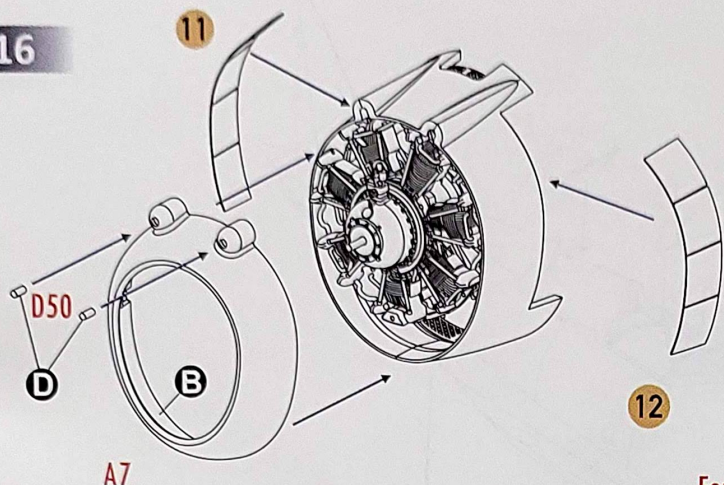


15

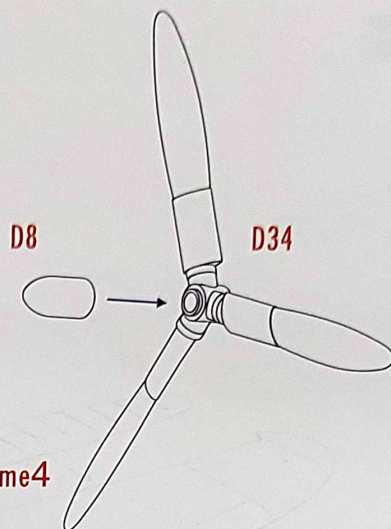




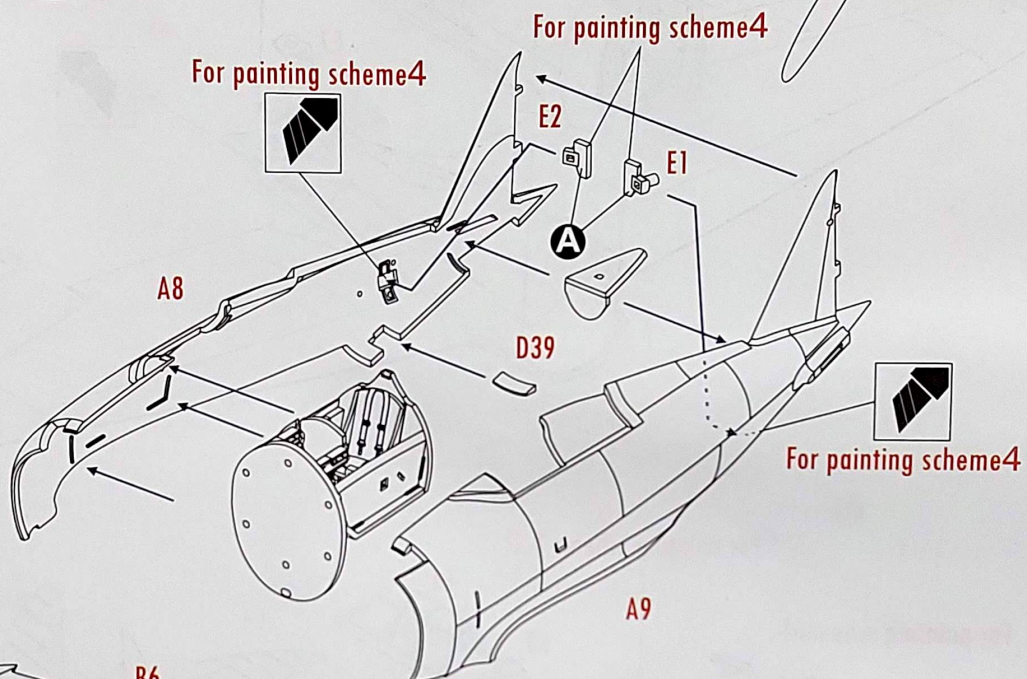
16



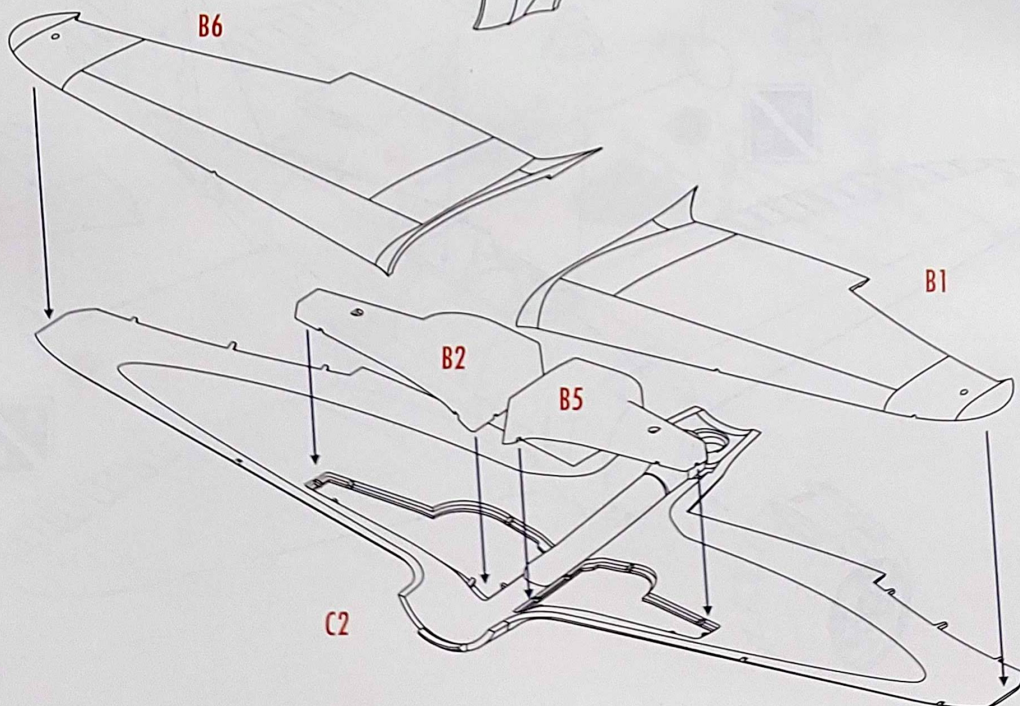
17



18

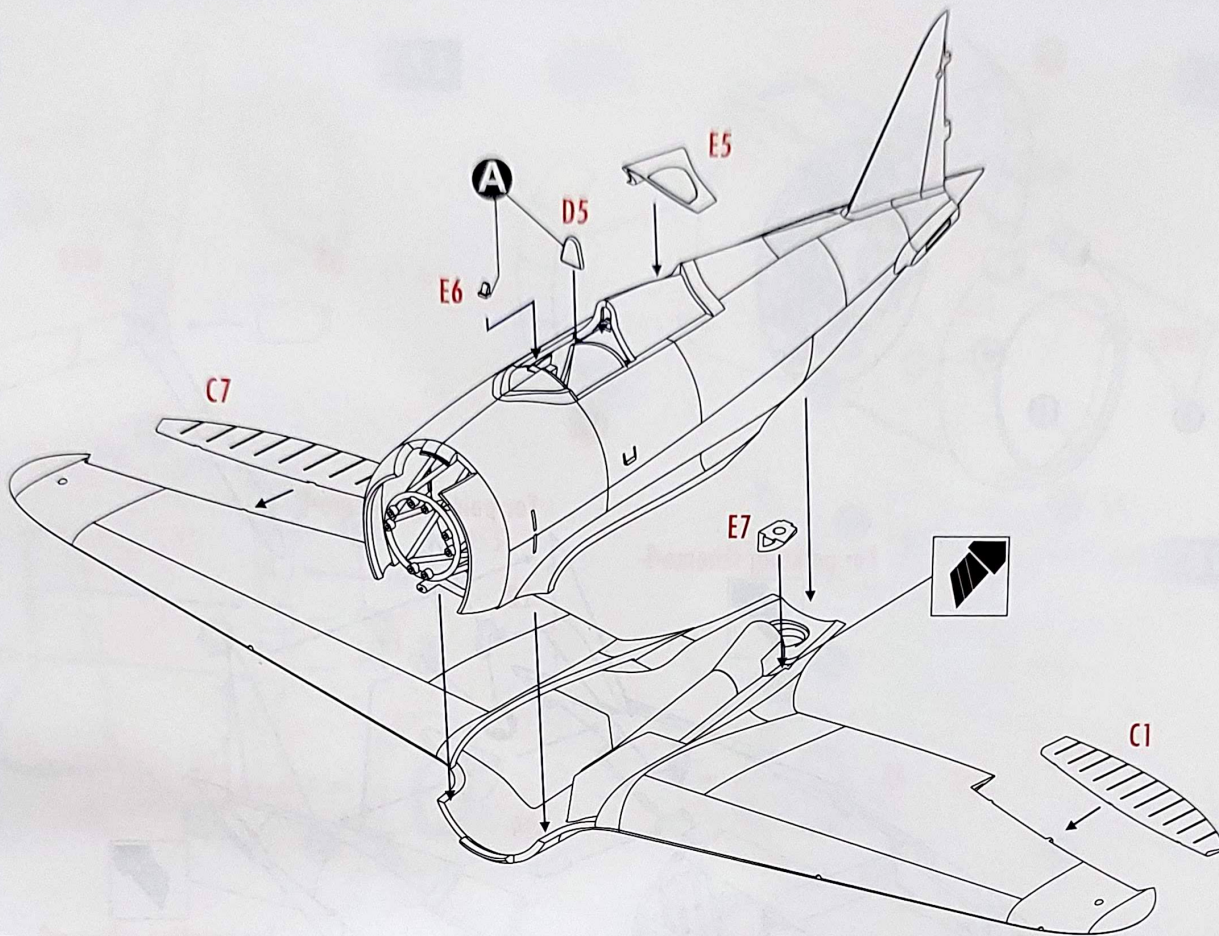


19

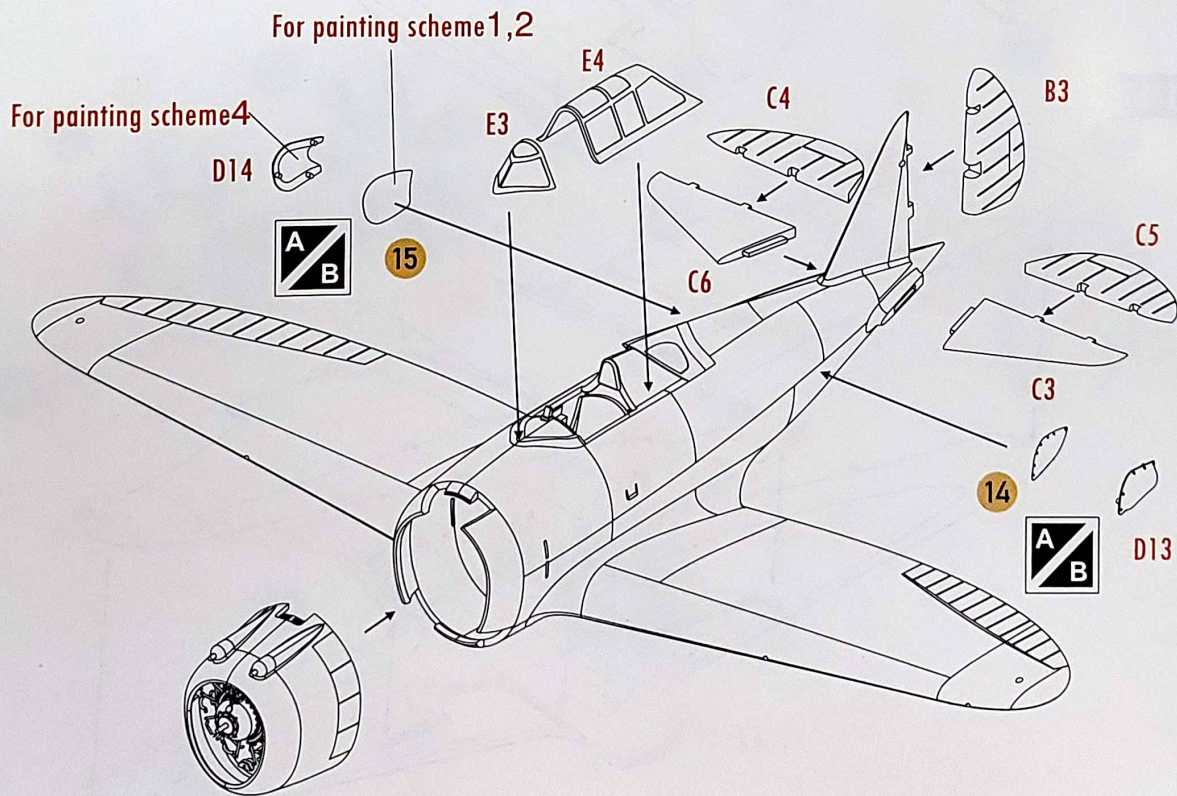




20

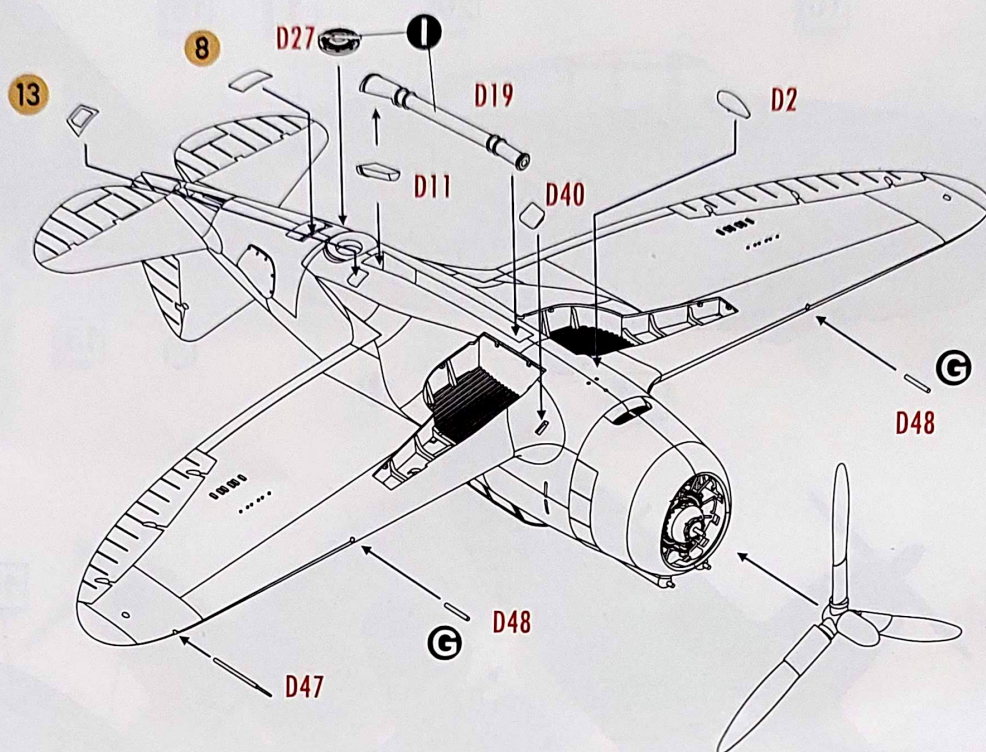


21



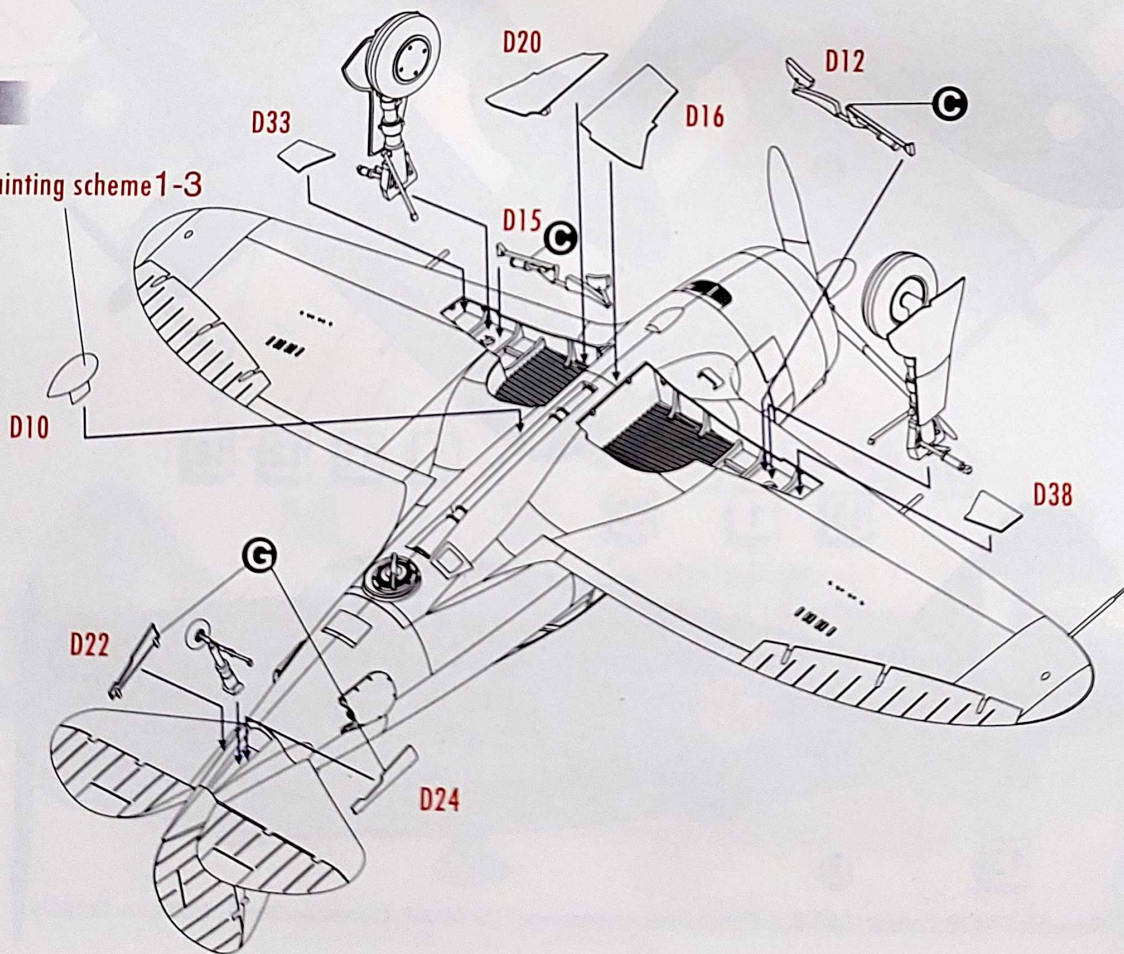


22



23

For painting scheme 1-3







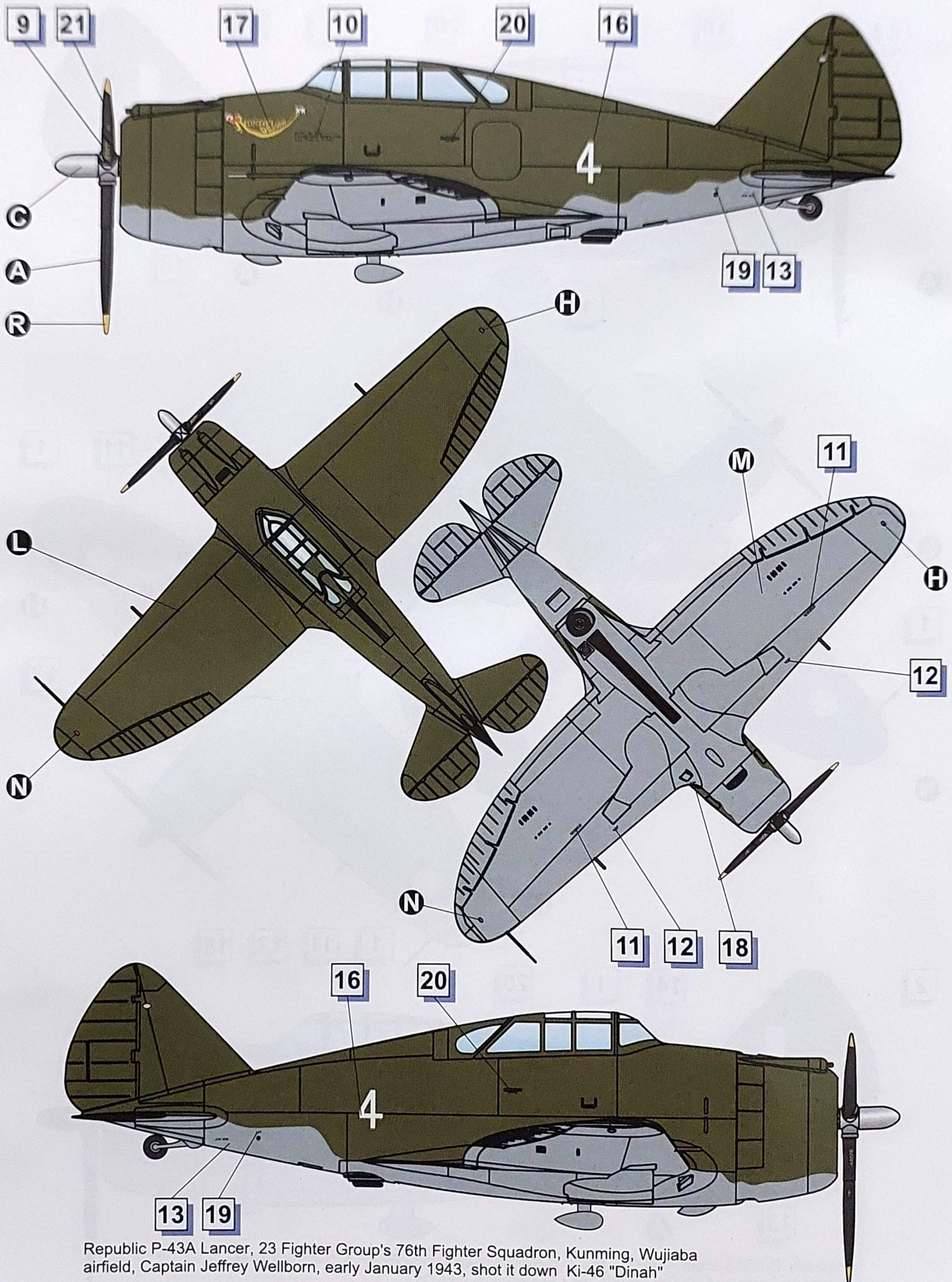
Republic P-43B Lancer, A56-6, 1 Photo Reconnaissance Unit RAAF, Coomalie Creek, Northern Territory





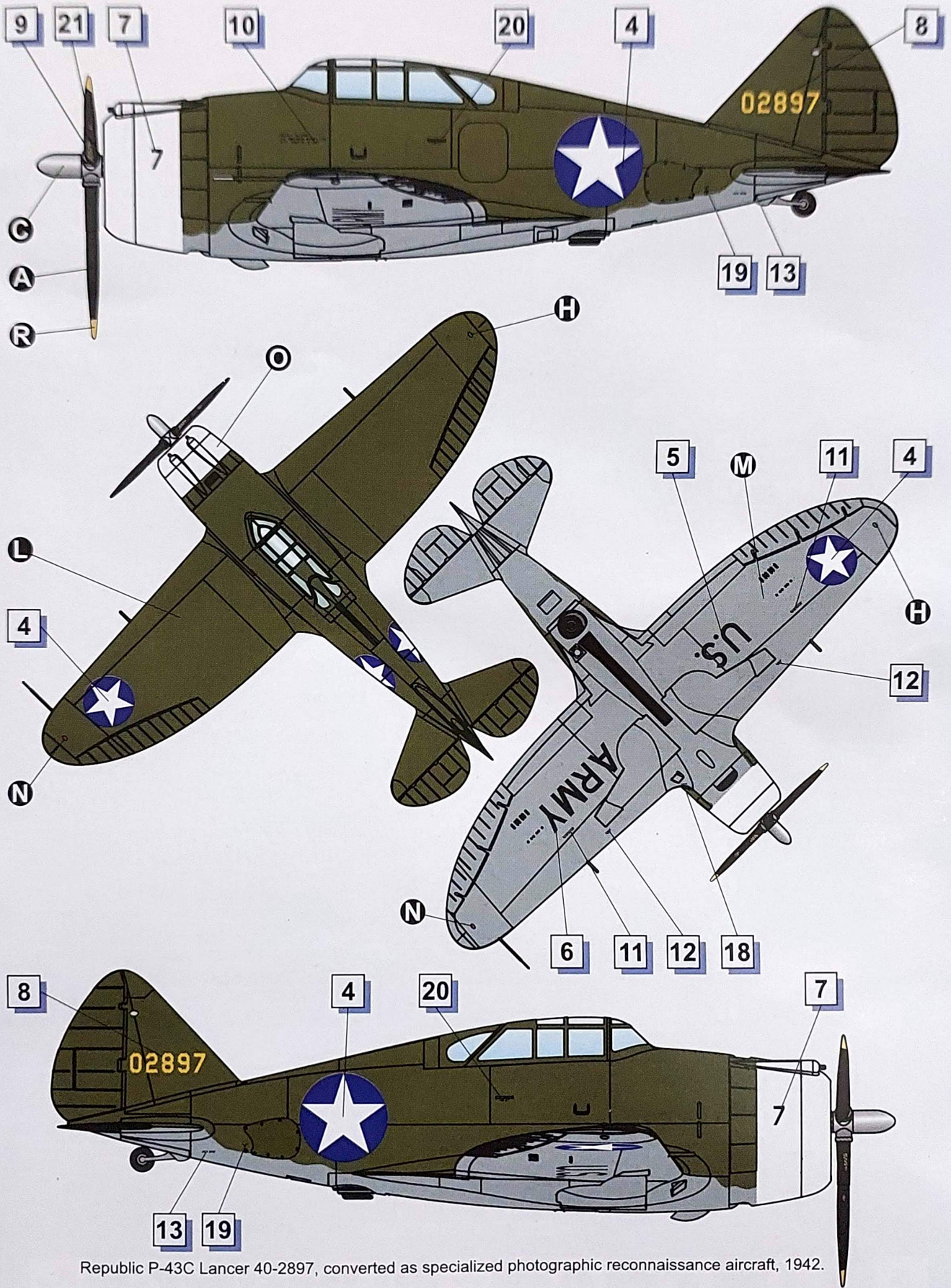
Republic P-43B Lancer, A56-5, 1 Photo Reconnaissance Unit RAAF, Coomalie Creek, Northern Territory, 14th December 1942 following its landing





Republic P-43A Lancer, 23 Fighter Group's 76th Fighter Squadron, Kunming, Wujibaba airfield, Captain Jeffrey Wellborn, early January 1943, shot it down Ki-46 "Dinah"





Republic P-43C Lancer 40-2897, converted as specialized photographic reconnaissance aircraft, 1942.



## COLOR TABLE

Color Chart		MR. HOBBY	Tamiya	AMMO MIG	Hataka	LIFECOLOR
Black	<b>A</b>	C33/H12	XF-1	MIG 046	HTK 100	LC 02
Silver	<b>B</b>	C8/H8	X-32	MIG 195	HTK B003	LC 74
Aluminium	<b>C</b>	MC 218	XF-16	MIG 194	HTK 078	LC 24
Gun Metal	<b>D</b>	C78/H28	X-10	MIG 045	HTK 106	LC 26
Rubber Black	<b>E</b>	C137/H77	XF-85	MIG 035		UA 733
Interior Green	<b>F</b>	C351/H58		MIG 0220	HTK 211	UA 004
Yellow Chromat	<b>G</b>	C352				
Clear Green	<b>H</b>	C138/H94	XF-25	MIG 092		
Burn Iron	<b>I</b>	C61/H76	XF-25	MIG 187		LC 37
Signal Red	<b>J</b>	C79/H11	XF-2	MIG 049	HTK-103	LC 56
Polished metal	<b>K</b>	MC 211	XF-56	MIG 0192		
Olive Drab	<b>L</b>	C38/H78	XF-62	MIG 0237	HTK 004	UA 005
Neutral Gray	<b>M</b>	C13/H53		MIG 0239	HTK 033	UA 046
Clear Red	<b>N</b>	C47/H90	XF-27	MIG 093		
White	<b>O</b>	C62/H11	XF-2	MIG 0047	HTK 101	LC 01
Engine Gray	<b>P</b>	C339/H339	XF-2	MIG 0908	HTK 030	UA 030
Yellow	<b>R</b>	C329/H329	X-8		HTK 107	
Foliage green	<b>S</b>	C302/H302	XF-26		HTK-056	UA 008
RAAF Sky blue	<b>T</b>	C115/H67	XF-23	MIG-0231	HTK-029	



### USED SYMBOLS



CEMENT



DON'T CEMENT



REMOVE



SYMMETRICAL



MULTIPLE



BEND



OPEN WHOLE



VARIANTS



TO PAINT