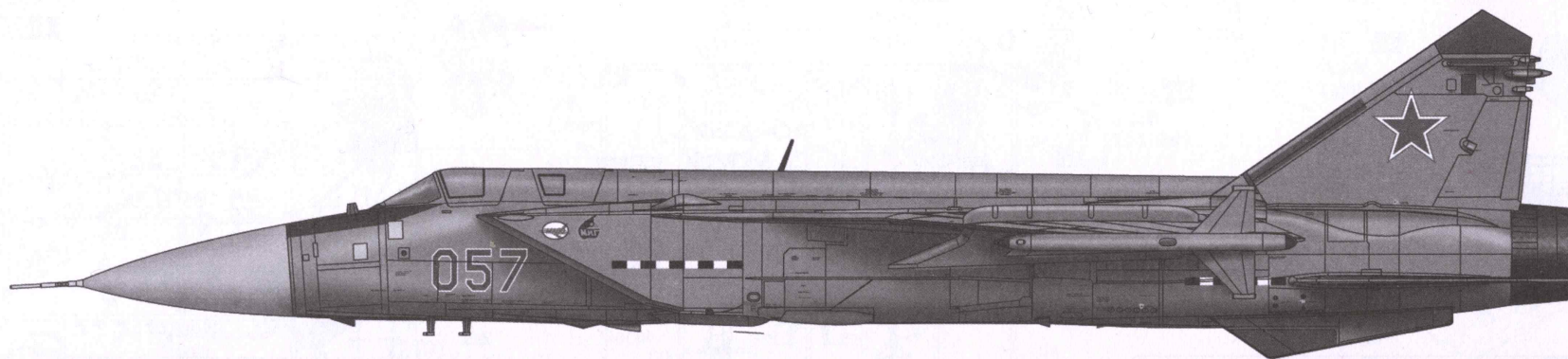


1/72 SCALE

ITEM NO.:01681



# Russian MiG-31M Foxhound

## MiG-31M “捕狐犬”

### READ BEFORE ASSEMBLY:

- This kit is not recommended for inexperienced modelers or for children under 14 years of age
- Study and understand these instructions thoroughly before beginning assembly
- When needed, remove photo-etch parts carefully using a modeling knife or photo etch sprue cutter, being careful not to damage or lose small parts.
- Take extra care in handling photo etch parts in order to avoid injury
- Apply instant cement sparingly to photo etch parts where instructed

- Tools recommended(not included in kit):Plastic and instant cements,sprue cutters,long nose pliers,modeling knife, small files, tweezers, pin vise & scissors. Soft cloth and sandpaper will also assist in construction
- Glue and paint are not included in the kit. Use plastic cement and hobby paints only. Color guide for purchasing paint is included in the kit.
- Keep out of reach of children. They must not be allowed to ingest small parts or handle plastic bags in any way.

### 装配之前仔细阅读

- 小心用模型锉刀锉平所有零件表面的注射浇口。
- 小心用刀片切下蚀刻片零件，不要遗失小零件。
- 用强力快干胶水粘合蚀刻片零件和金属轴。过量的快干胶水使用可能导致可动零件会粘住，小心涂胶。
- 取蚀刻片时应特别注意安全，防止利边划伤手指。
- 某些零件表面需贴水上贴纸，请选择在装配的同时进行。
- 推荐模型工具(自备)：胶水，水口剪刀，长咀钳，刀片，锉刀，镊子钳，钻，剪刀，瞬间快干胶。
- 软布同砂纸同时也应该是必备工具。
- 请使用塑料胶水和油漆，模型内不含。
- 谨防小孩吮吸吮塑料零件，或者将塑料袋套在头上，制作时应将套材远离小孩接触。
- 本产品不适合14岁以下没有经验的模型爱好者。

### 水贴纸的使用:

1. 从水贴上剪下印花;
2. 将印花放入温水中浸10秒, 然后放在干净布上。
3. 拿着印花纸板将印花移到模型上;
4. 手指蘸水将印花移到适当的位置;
5. 用软布轻压印花直至水干, 气泡消失。

### DECAL APPLICATION:

1. Cut decals from sheet as needed
2. Dip the decal in warm water for about 10 seconds and then place on soft clean cloth.
3. Hold the decal backing sheet edge and gently slide the decal onto the model in its proper position.

4. While still wet,decal can be adjusted for better fit on model by dampening it gently with your finger.
5. When placed in the proper position,gently press decal down with a soft cloth until excess water and air bubbles are gone.
6. Allow decal to dry completely before handling model



使用强力胶  
Cyanoacrylate glue



配重  
Weight



钻孔  
Make hole



切除  
Cut / Remove



先装  
Install it first



贴纸  
Decal



锉平  
File / Sand



选择  
Option

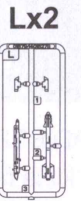
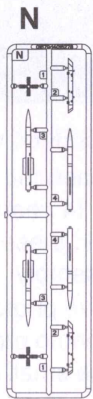
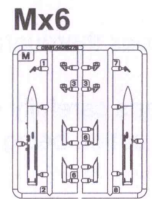
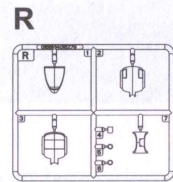
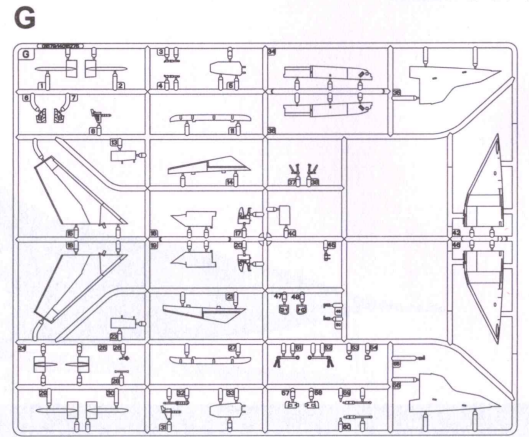
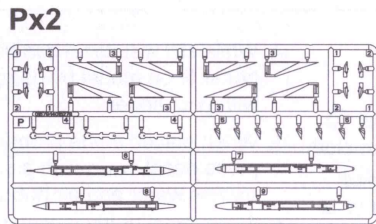
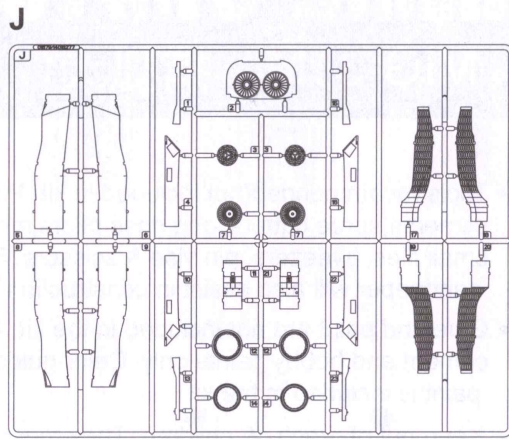
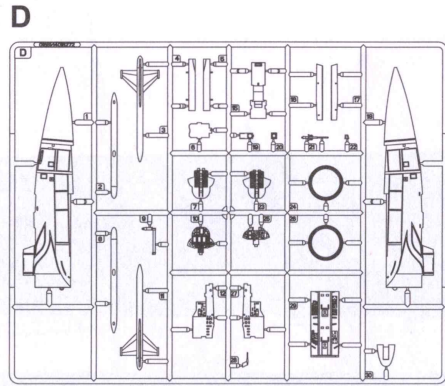
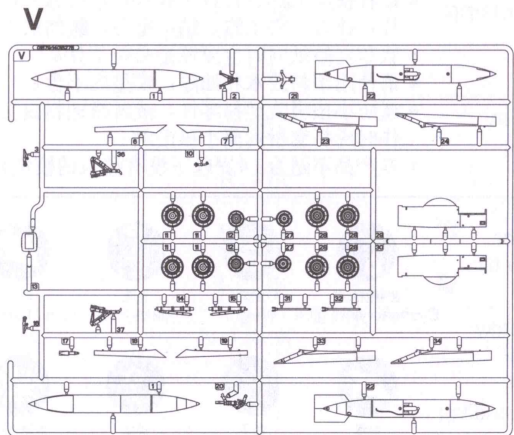
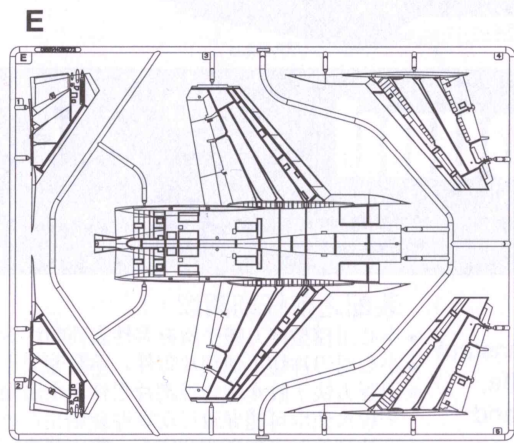
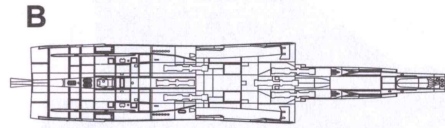


不涂胶水  
No cement



弯曲  
Bend

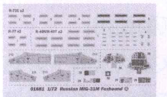
部品图  
Parts



《水贴纸》A  
Decal A



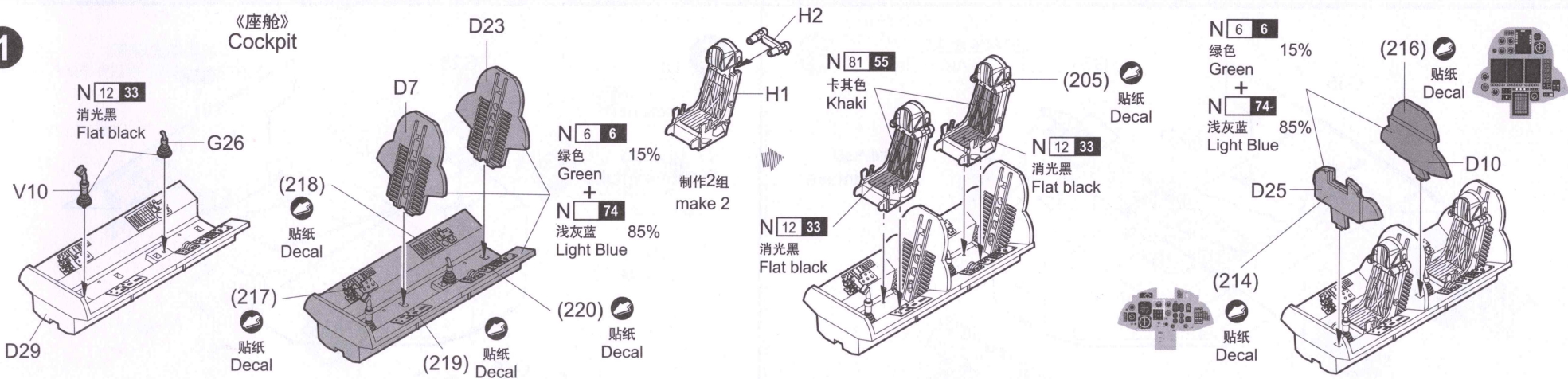
《水贴纸》B  
Decal B



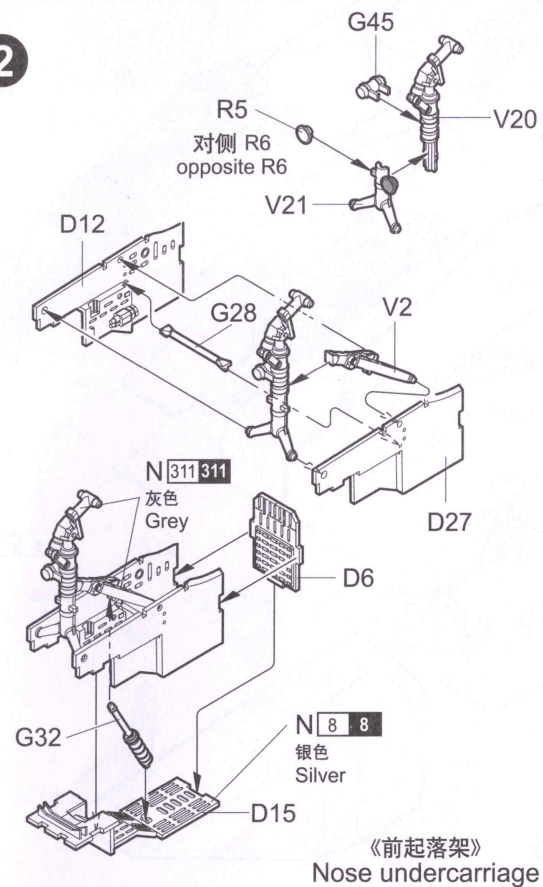
不用的零件:  
Unused parts : D9 V17

1

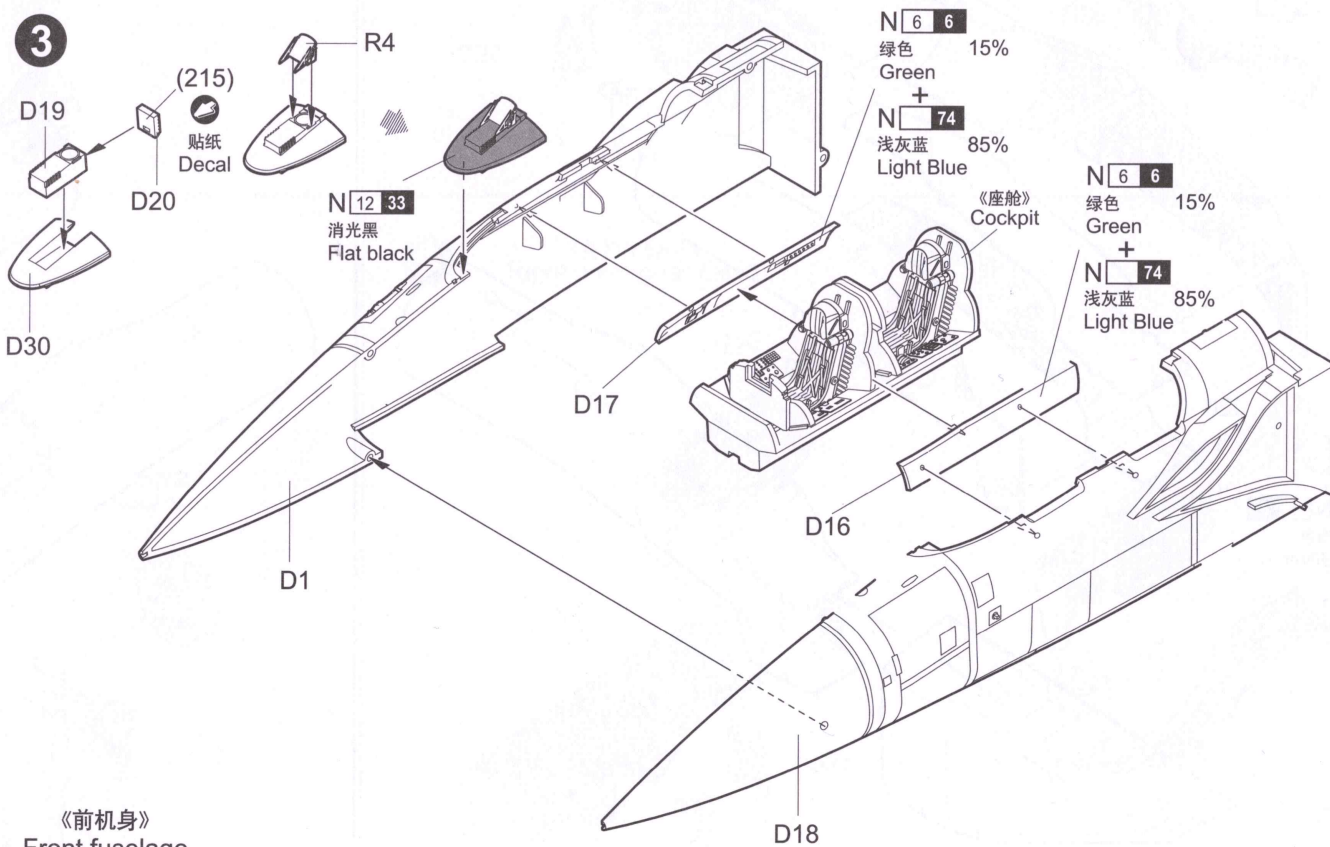
《座舱》  
Cockpit



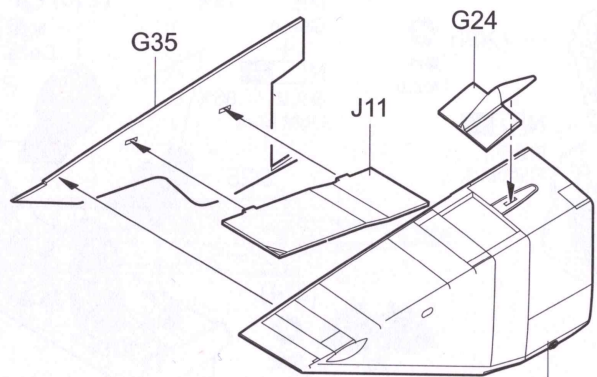
2



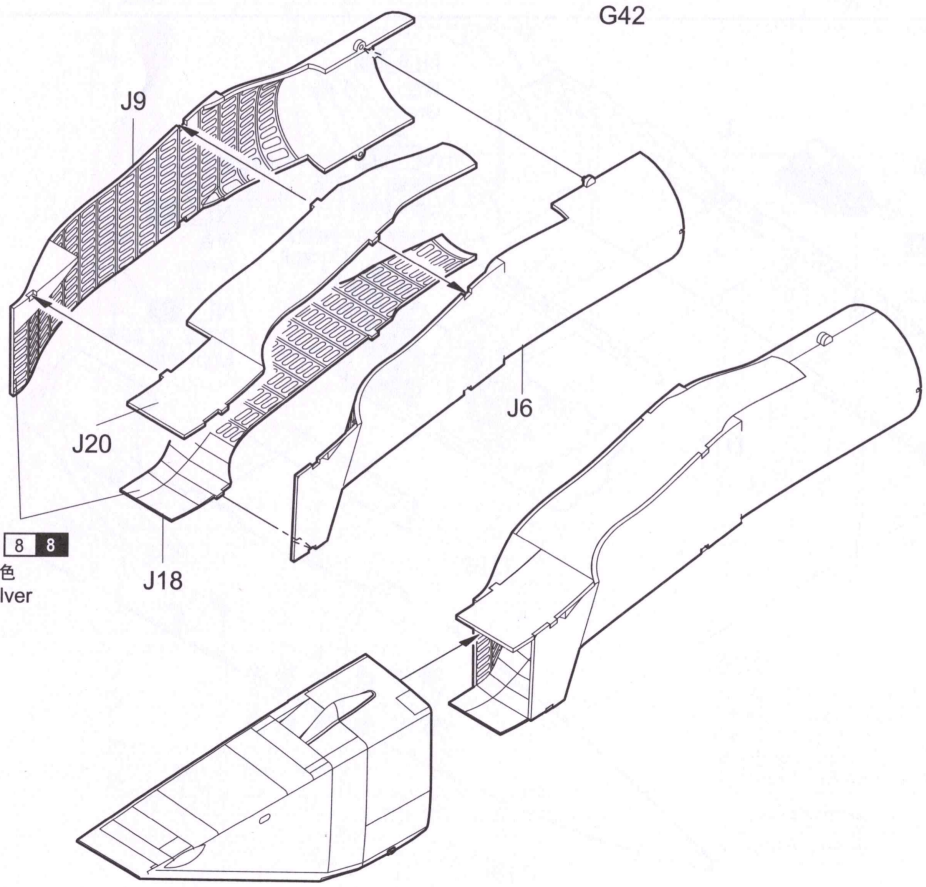
3



4

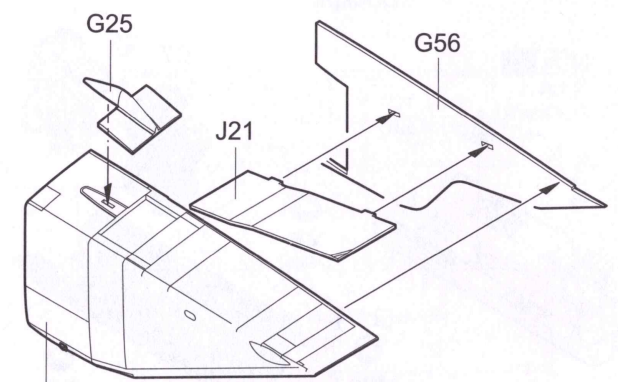


《左进气道》  
Left Air intake

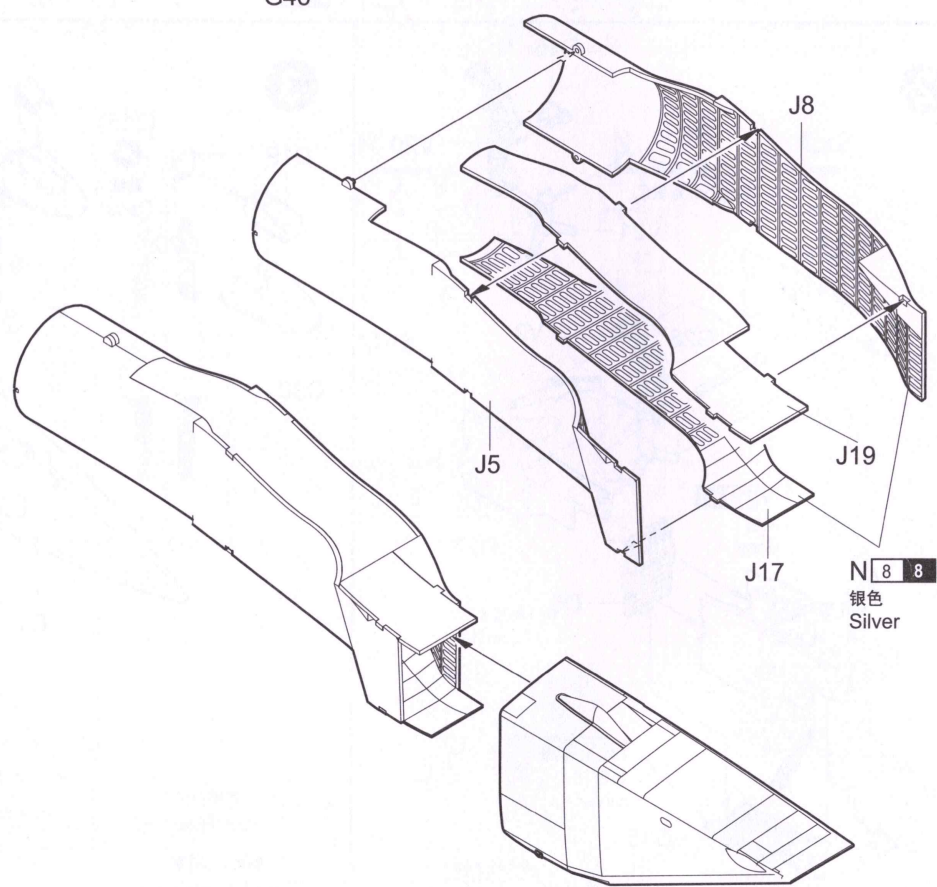


N 8 8  
银色  
Silver

5



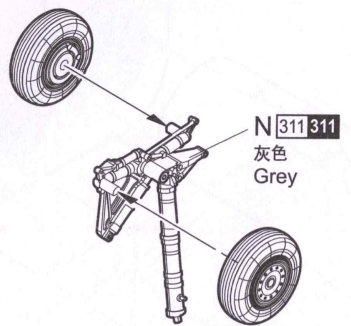
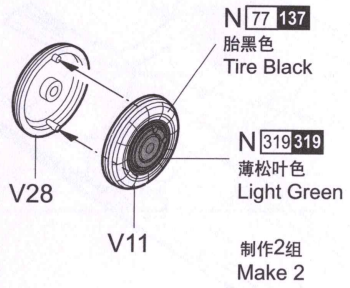
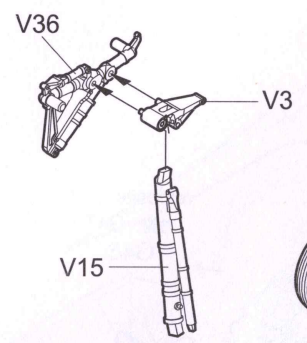
《右进气道》  
Right Air intake



N 8 8  
银色  
Silver

6

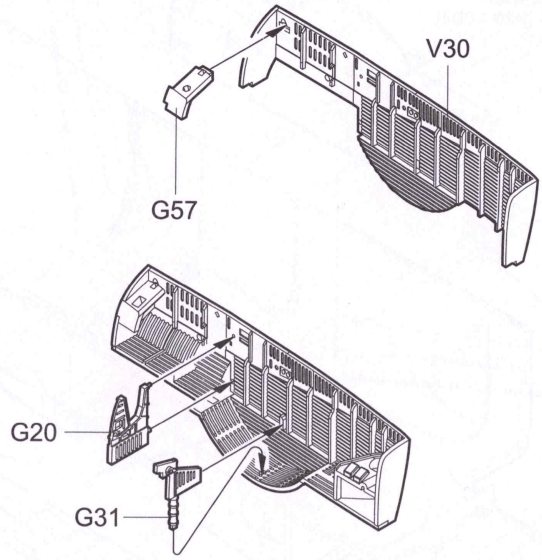
《左侧主起落架》  
Left main undercarriage



制作2组  
Make 2

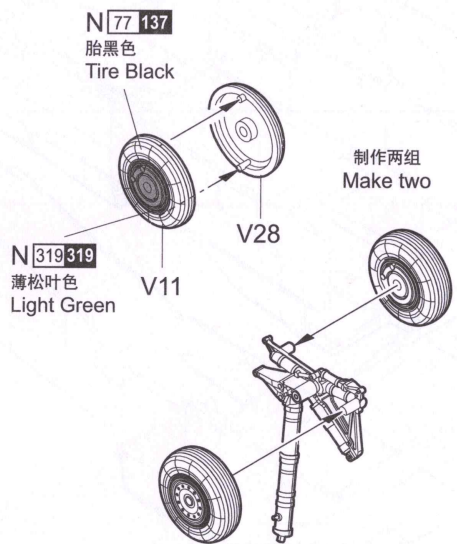
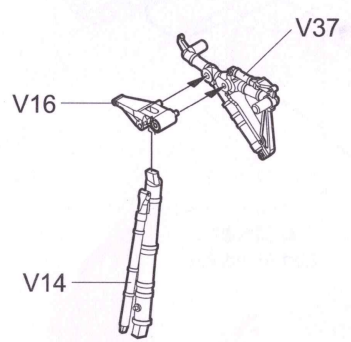
7

《左侧主轮舱》  
Left main gear cabin



8

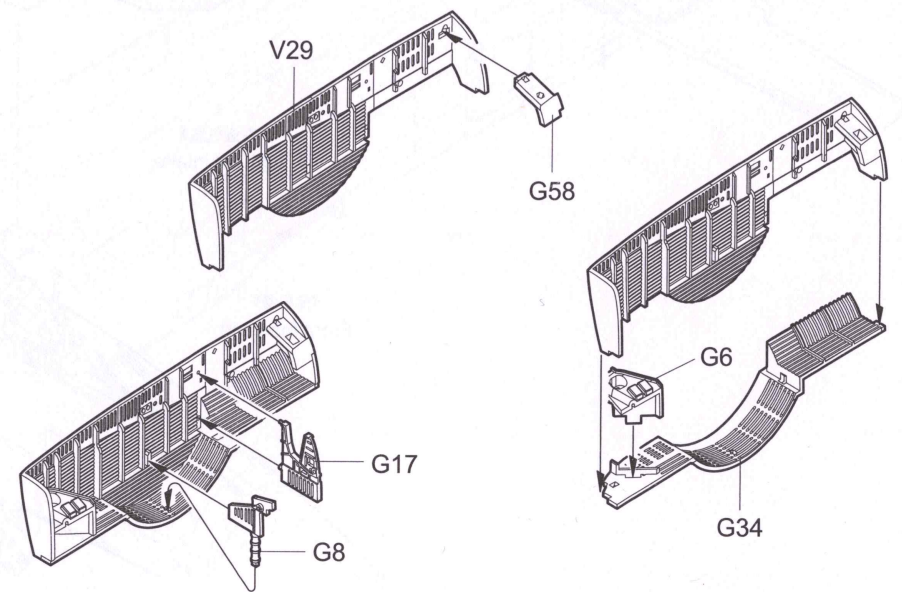
《右侧主起落架》  
Right main undercarriage



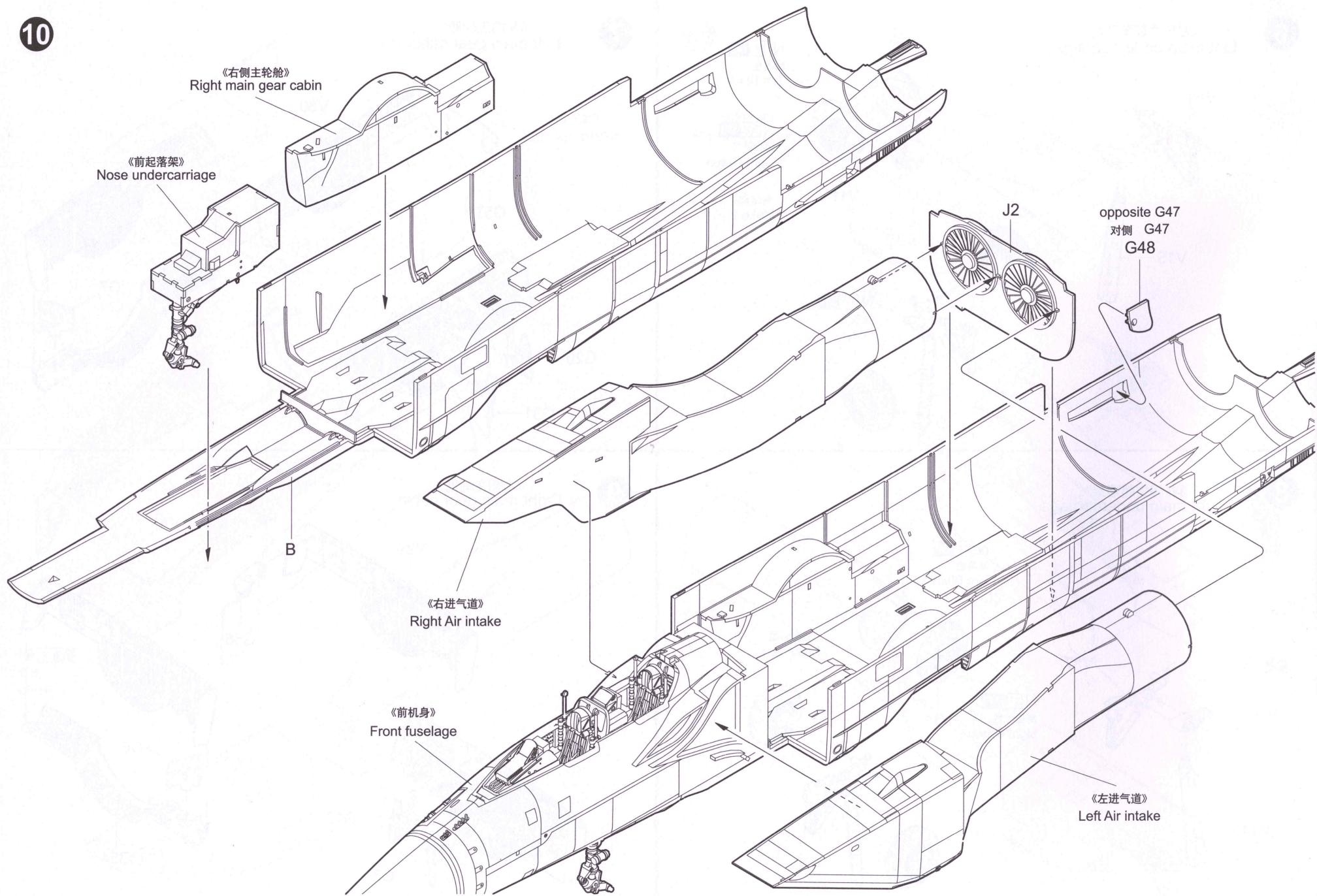
制作两组  
Make two

9

《右侧主轮舱》  
Right main gear cabin



10

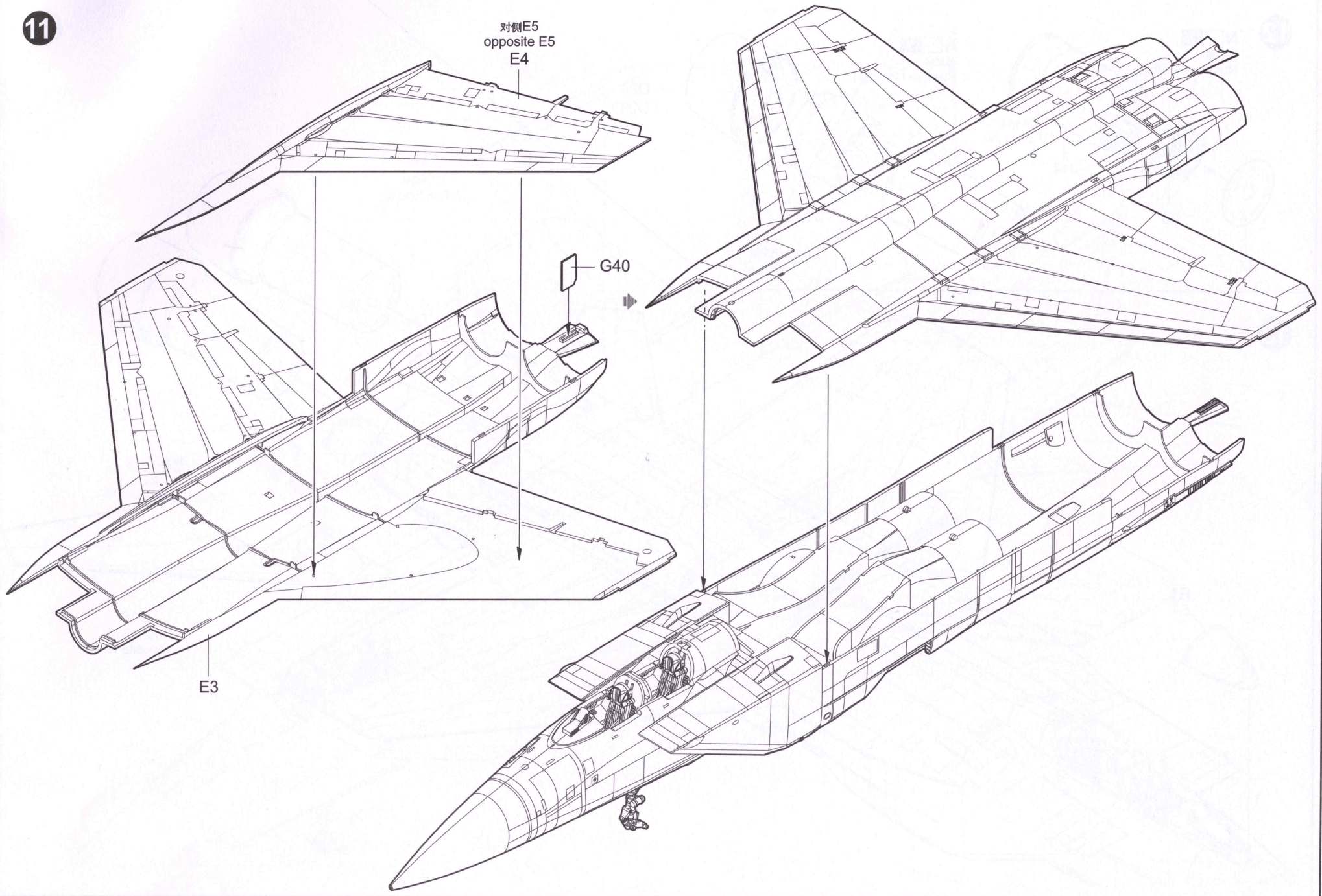


11

对侧E5  
opposite E5  
E4

G40

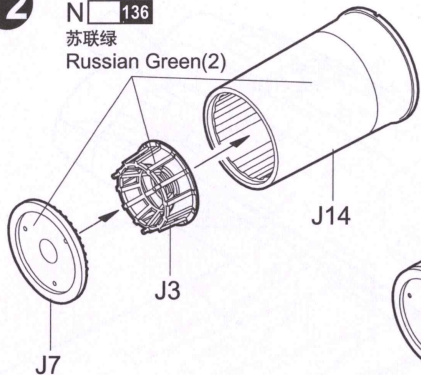
E3



12

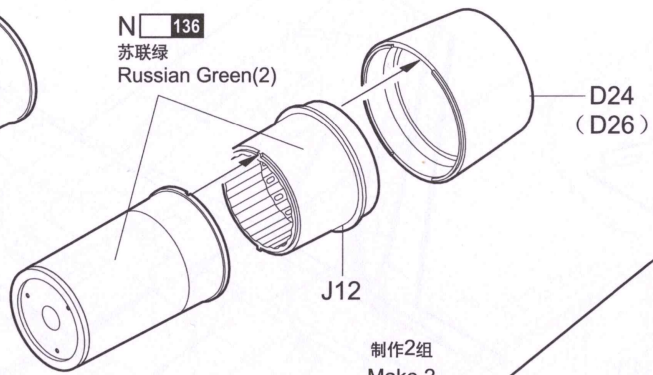
N 136

苏联绿  
Russian Green(2)



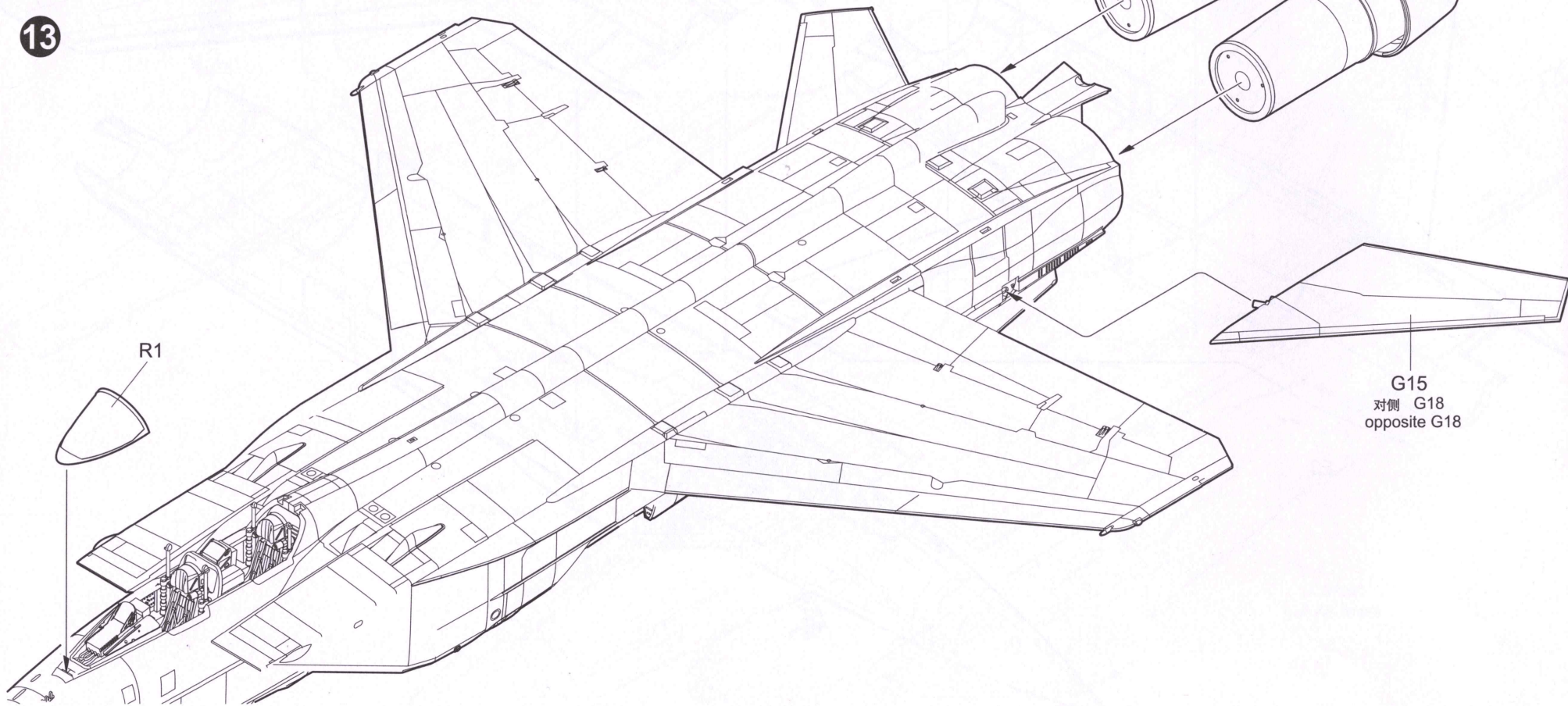
N 136

苏联绿  
Russian Green(2)



制作2组  
Make 2

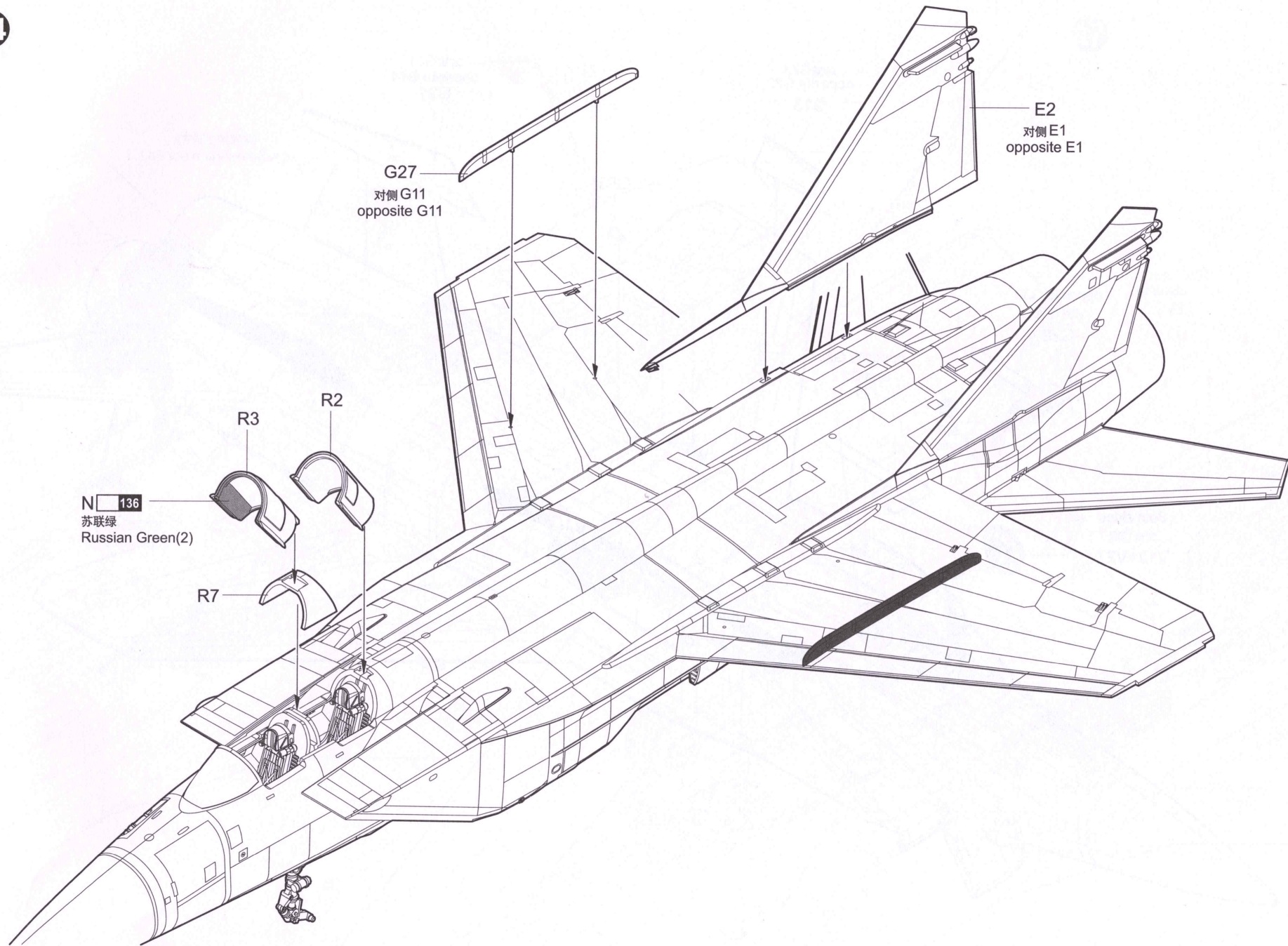
13

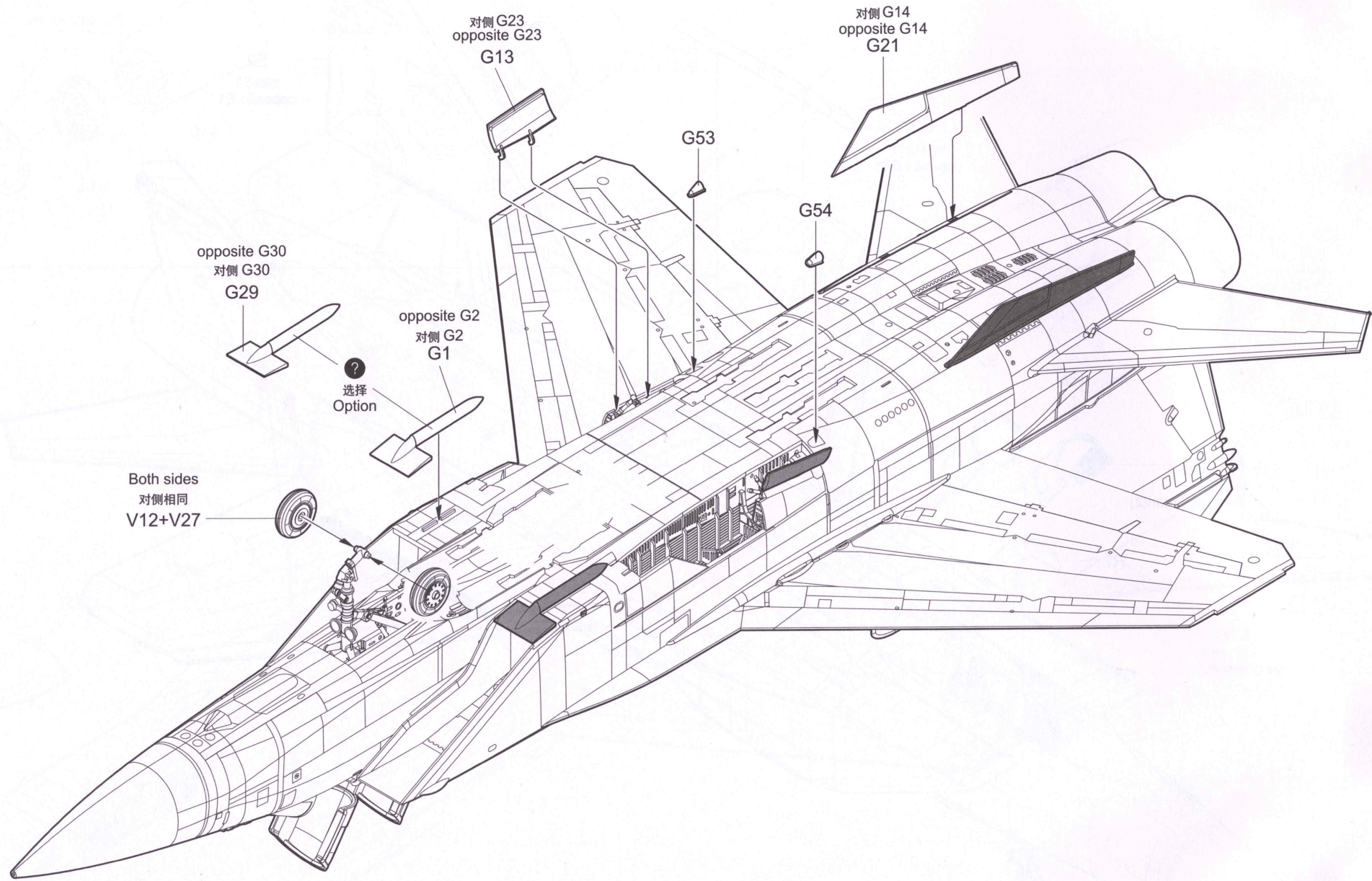


R1

G15  
对侧 G18  
opposite G18







16

《左侧主起落架》  
Left main undercarriage

《右侧主起落架》  
Right main undercarriage

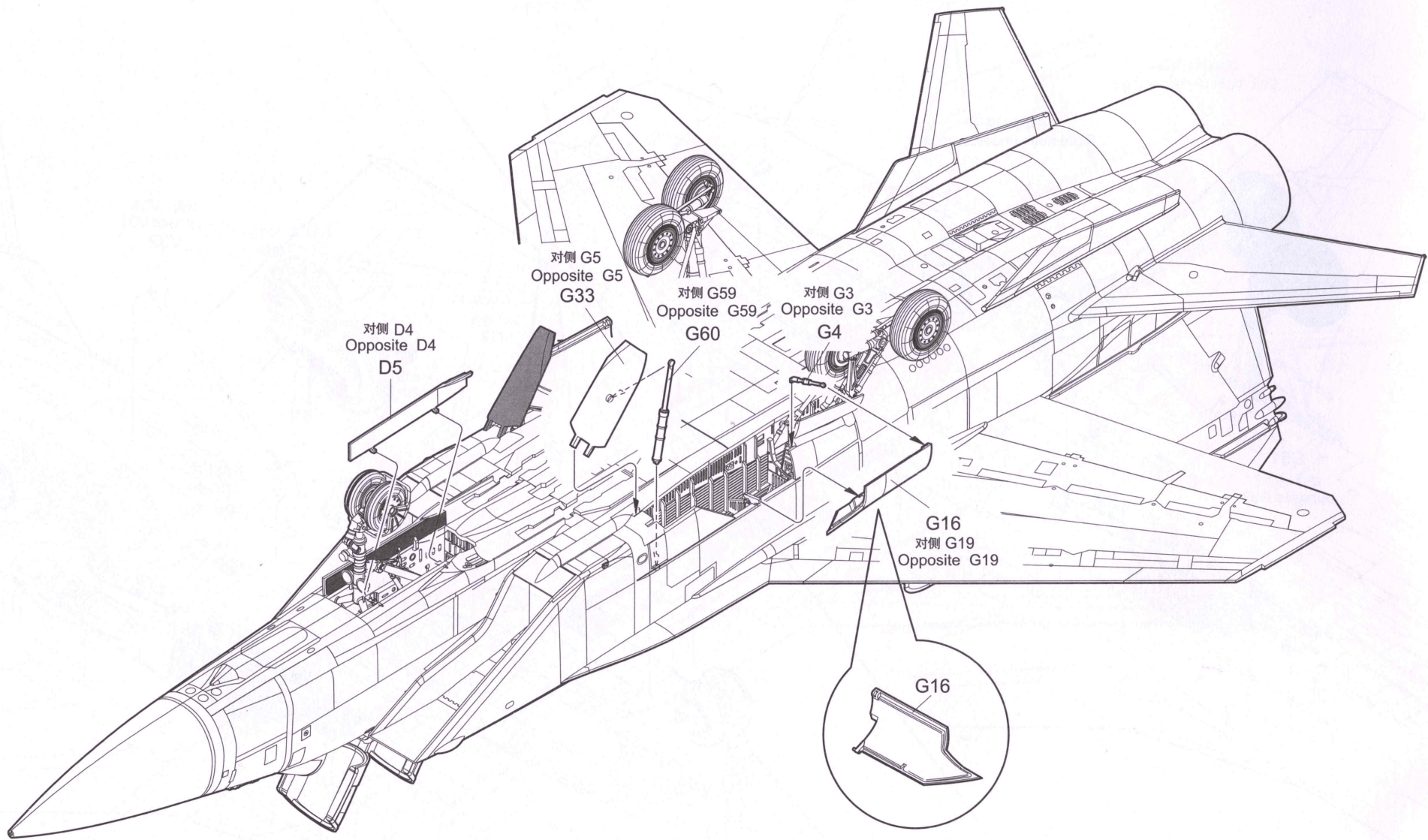
G51  
对侧 G52  
opposite G52

V13

17

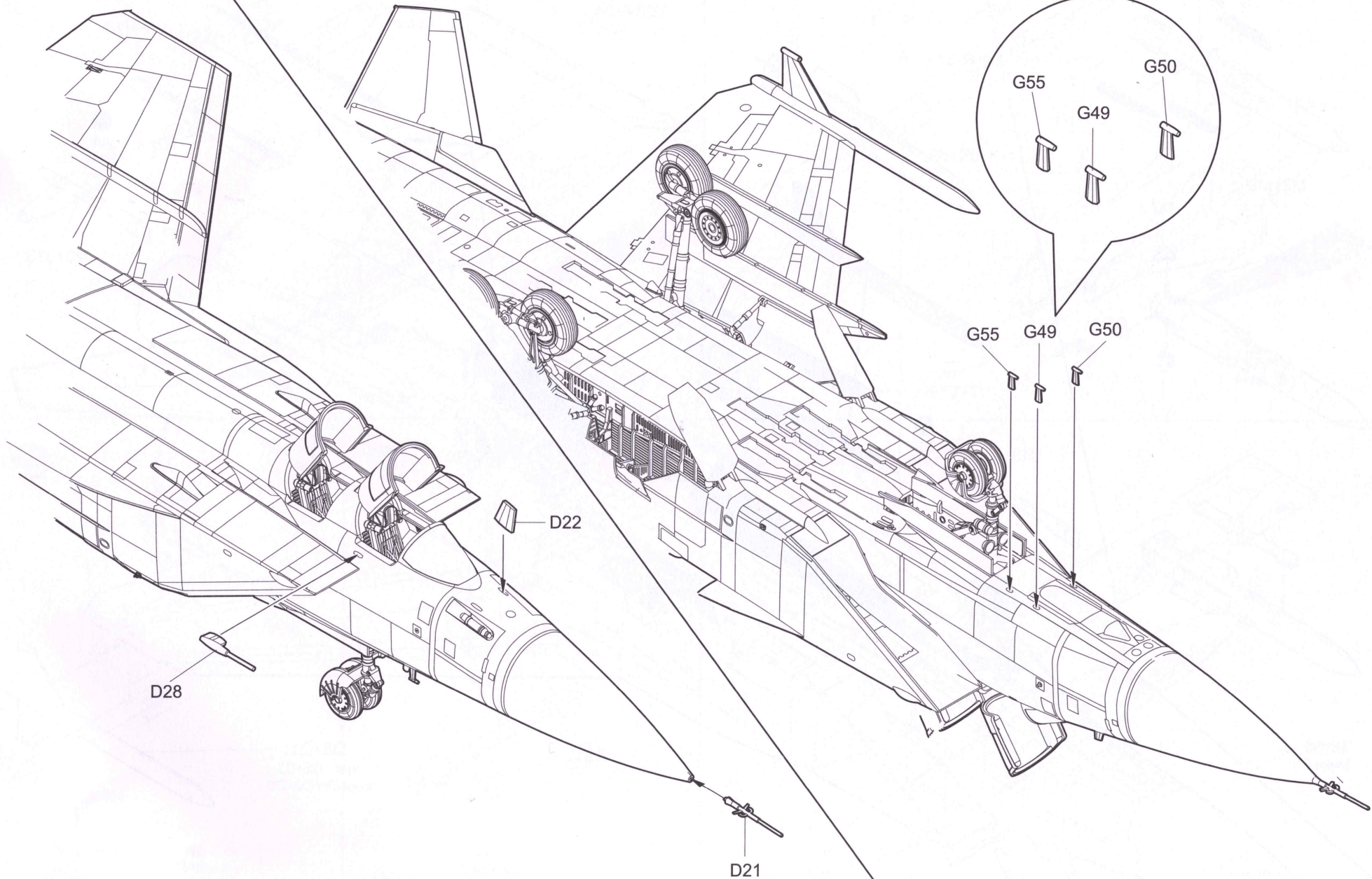
对侧 V31  
opposite V31  
V32

G37  
对侧 G38  
opposite G38



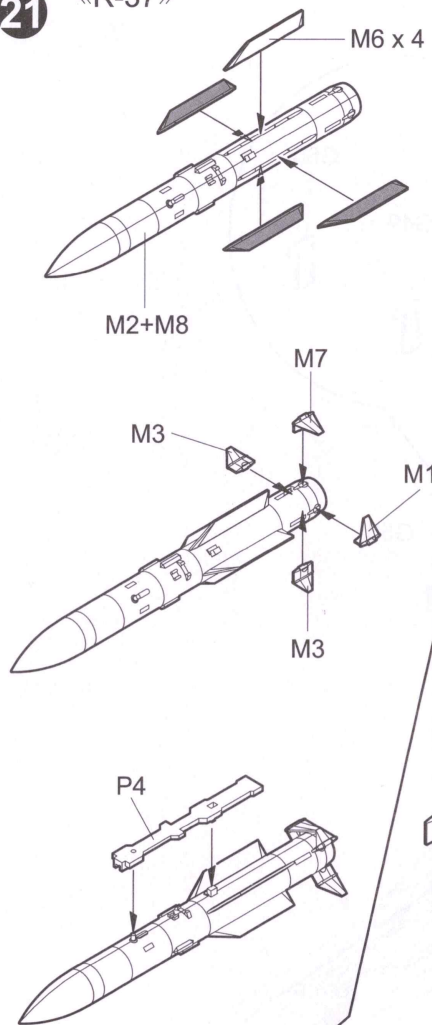
19

20



21

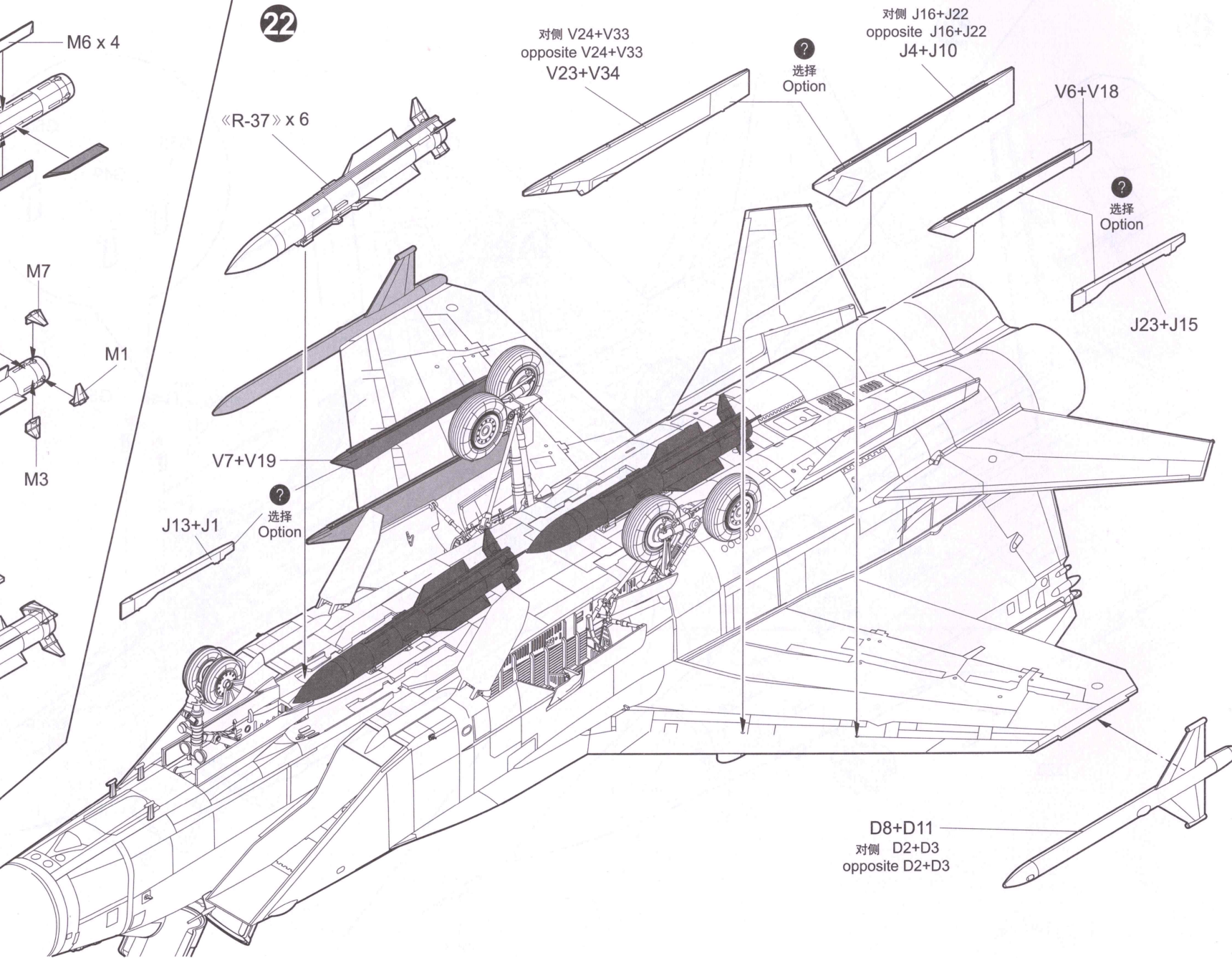
《R-37》



制作6组  
Make 6

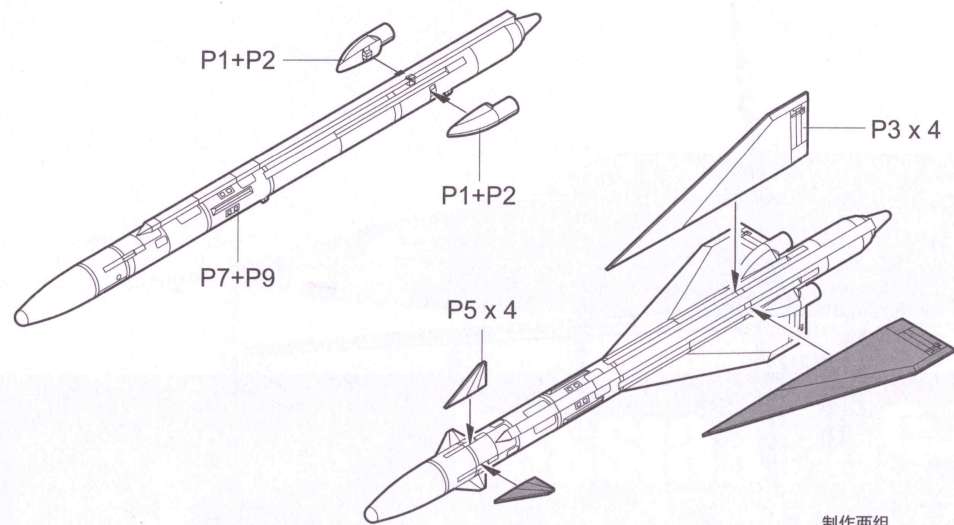
22

《R-37》x 6



23

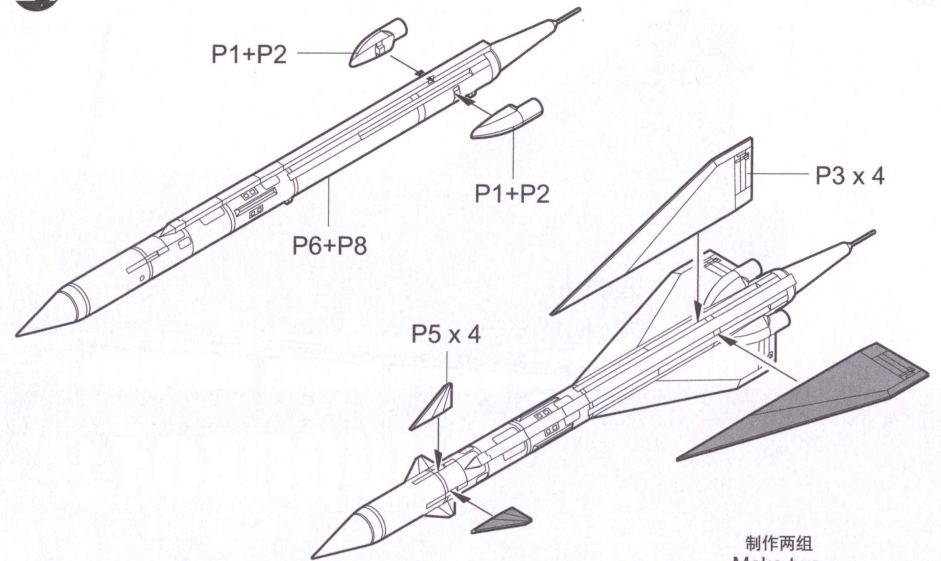
《R-40T》



制作两组  
Make two

24

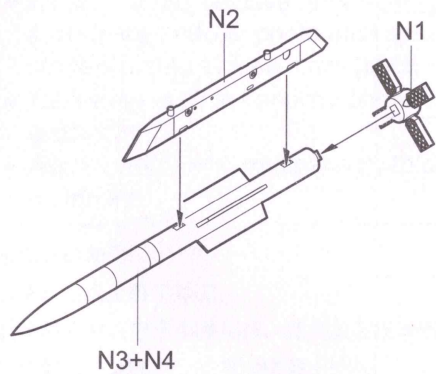
《R-40R》



制作两组  
Make two

25

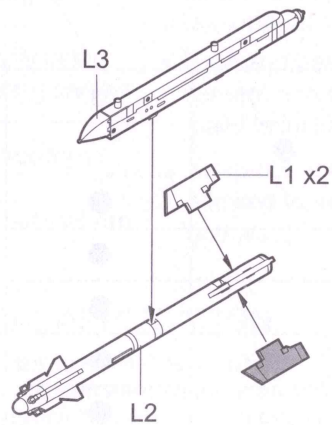
《R-77》



制作两组  
Make two

26

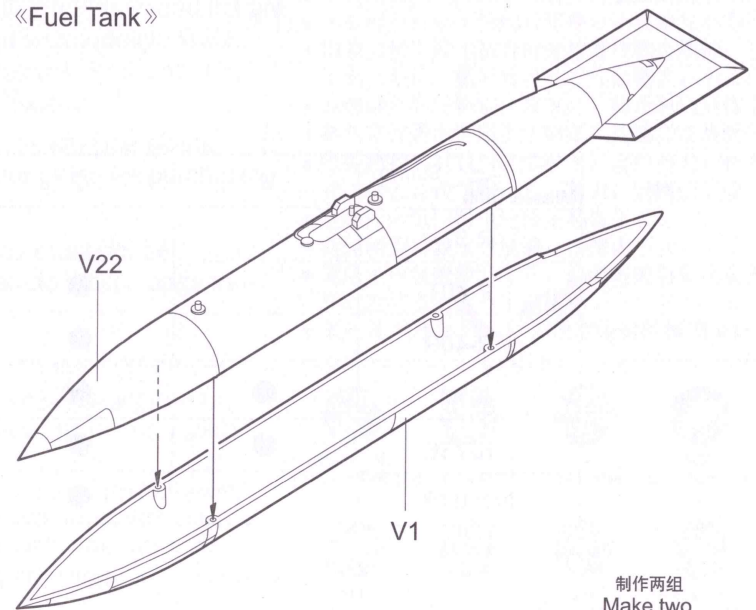
《R-73E》



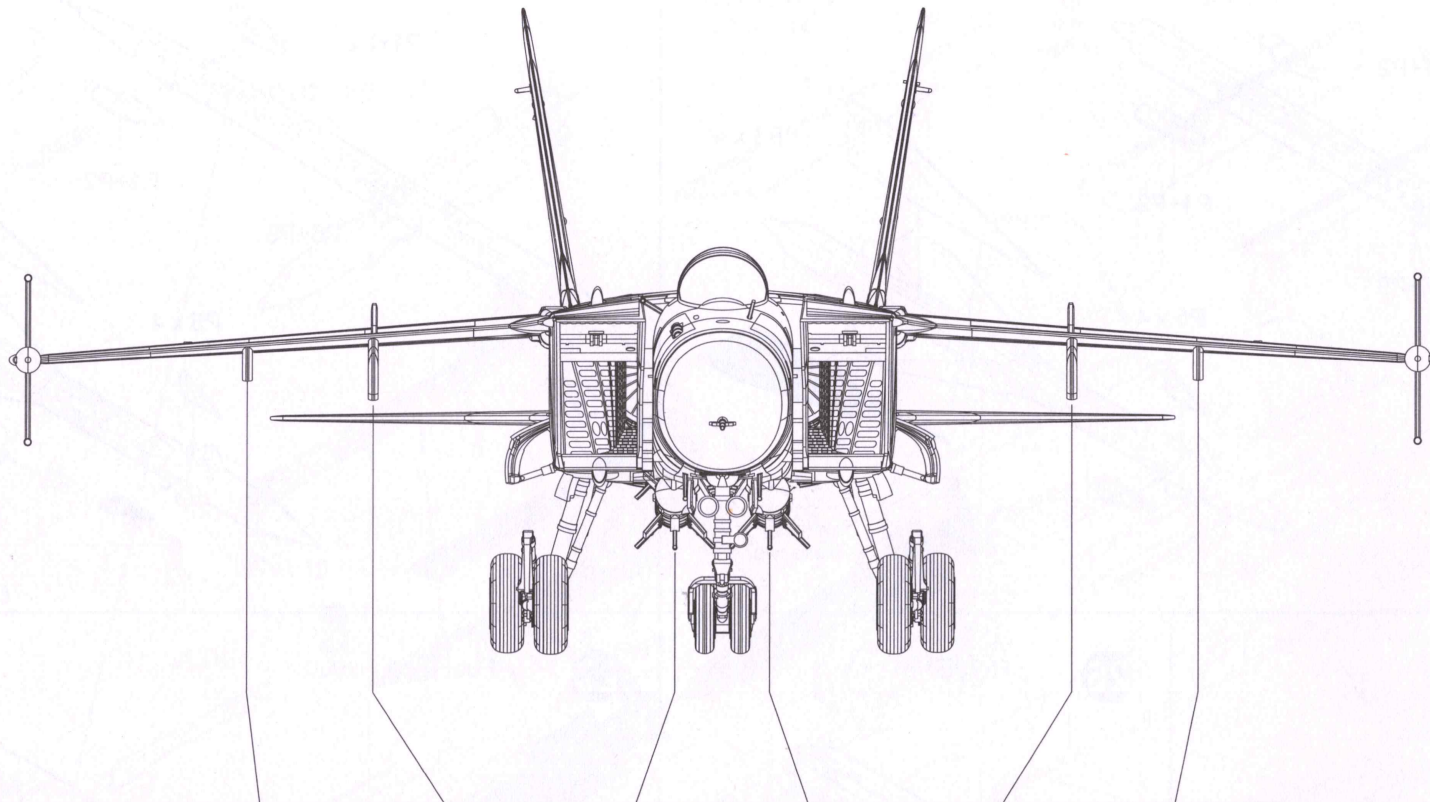
制作两组  
Make two

27

《Fuel Tank》



制作两组  
Make two



Sta.No. Missile/Tank	1	2			3	4
R-37			●	●		
R-40T		●			●	
R-40R		●			●	
R-77	●	●			●	●
R-73E	●	●			●	●
fuel tank		●			●	

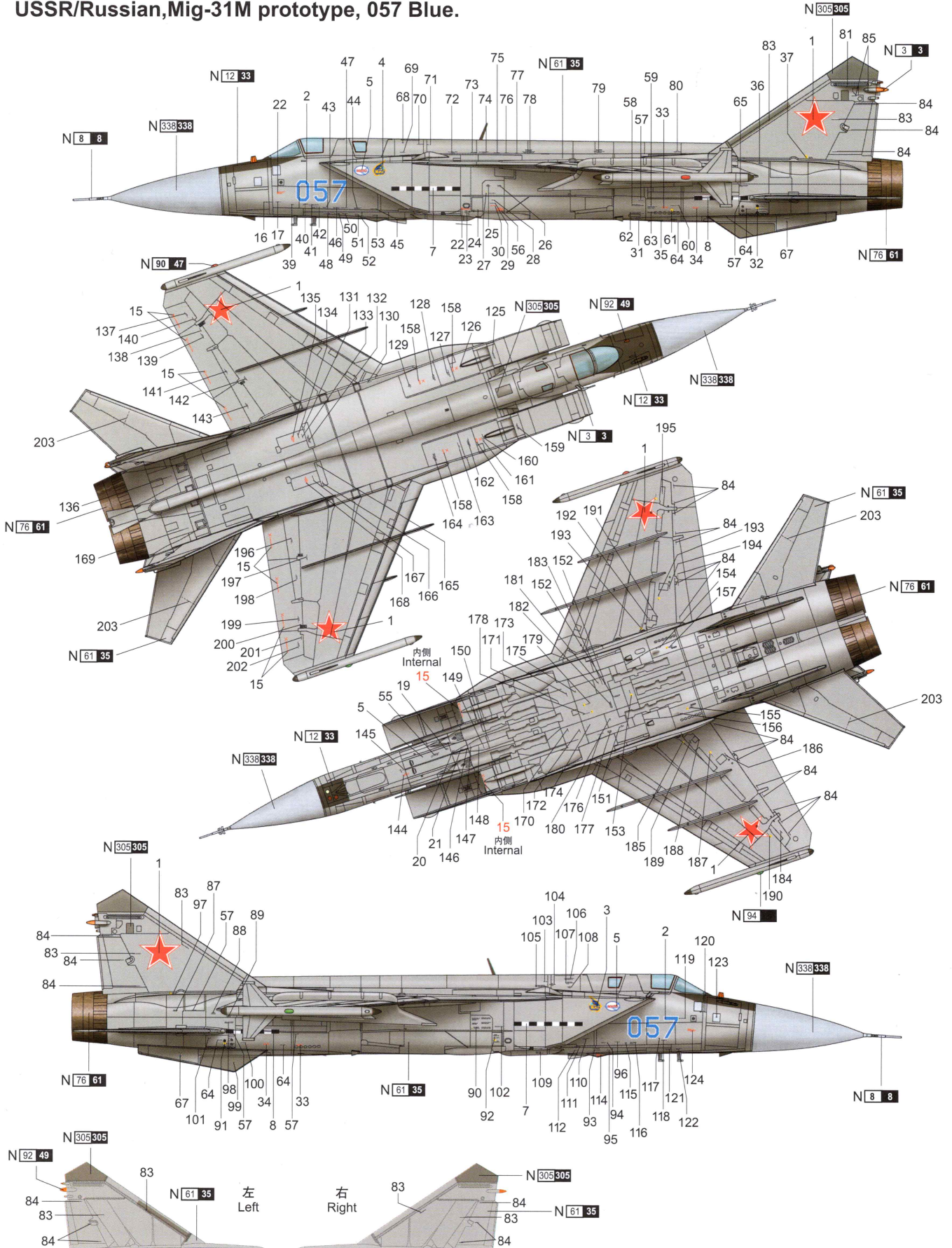


# 涂装同标贴指示 Painting & Marking guide

PAINT REFERENCE COLOUR					
Color	Mr.Hobby	Vallejo	Model Master	Tamiya	Humbrol
明灰白 Gray	N 61 35	907	1731	-	146
烧棕色 Burnt Iron	N 76 61	863	1795	X10	53
透明橘 Clear Orange	N 92 49	935	-	X26	-
红色 Red	N 3 3	908	1503	X7	19
浅灰色 Light Gray	N 338 338	907	1732	XF14	147

PAINT REFERENCE COLOUR					
Color	Mr.Hobby	Vallejo	Model Master	Tamiya	Humbrol
银色 Silver	N 8 8	997	1546	X11	11
透明红 Clear Red	N 90 47	934	-	X27	-
透明绿 Clear Green	N 94	936	-	X25	-
消光黑 Flat Black	N 12 33	950	1749	XF1	33
灰色 Medium Gunship Gray	N 305 305	868	1723	XF58	125

## USSR/Russian, Mig-31M prototype, 057 Blue.

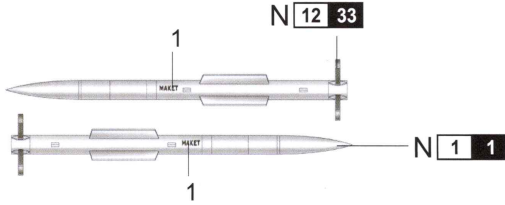


# 涂装同标贴指示 Painting & Marking guide

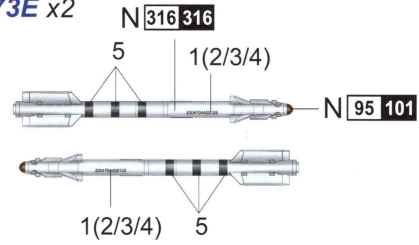
PAINT REFERENCE COLOUR					
Color	Mr.Hobby	Vallejo	Model Master	Tamiya	Humbrol
白色 White	N 1 1	842	1745	XF2	22
红色 Red	N 3 3	908	1503	X7	19
明灰白 Gray	N 61 35	907	1731	-	146

PAINT REFERENCE COLOUR					
Color	Mr.Hobby	Vallejo	Model Master	Tamiya	Humbrol
烟灰色 Smoke Blue	N 95 101	-	-	-	-
白色 White	N 316 316	991	1745	X2	22
消光黑 Flat Black	N 12 33	950	1749	XF1	33

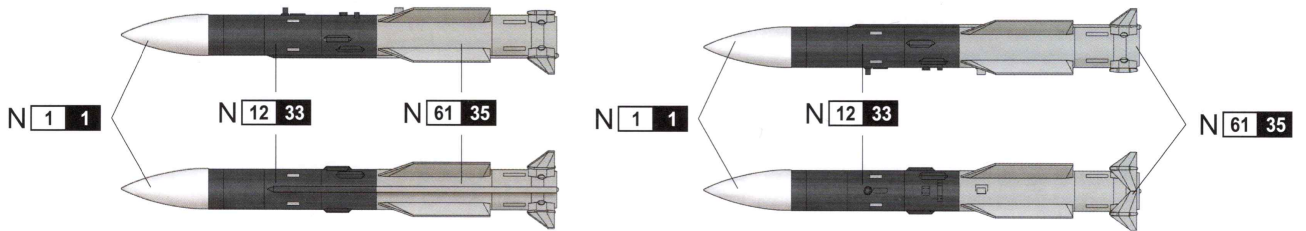
R-77 x2



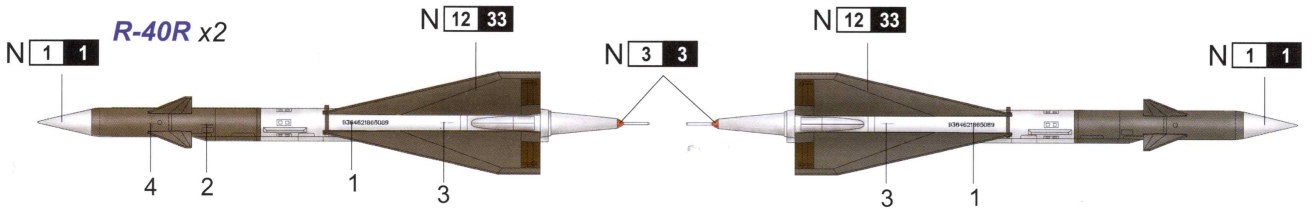
R-73E x2



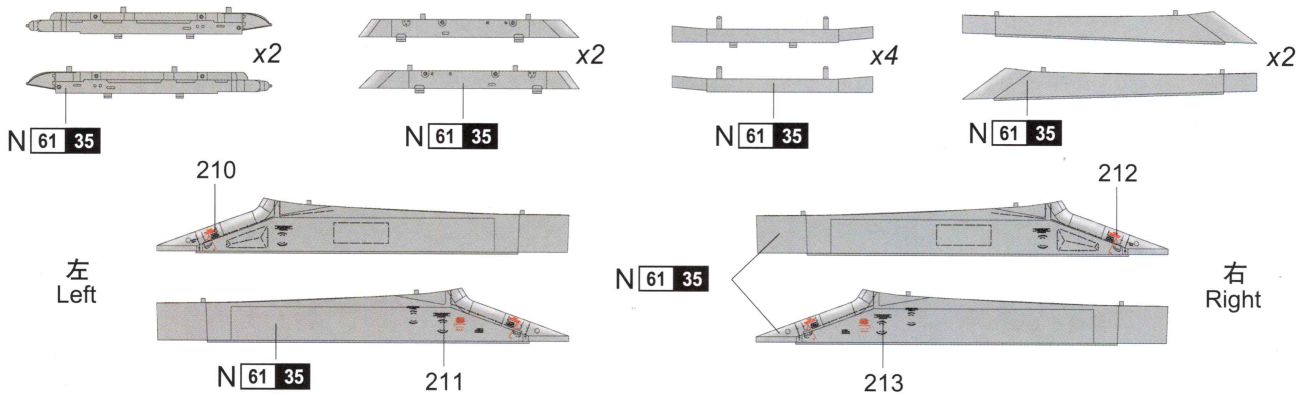
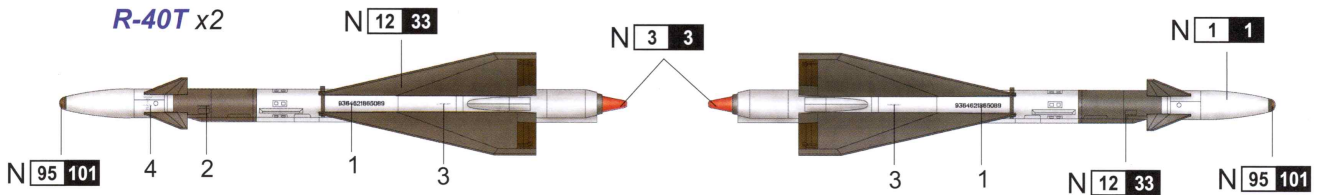
R-37 x6



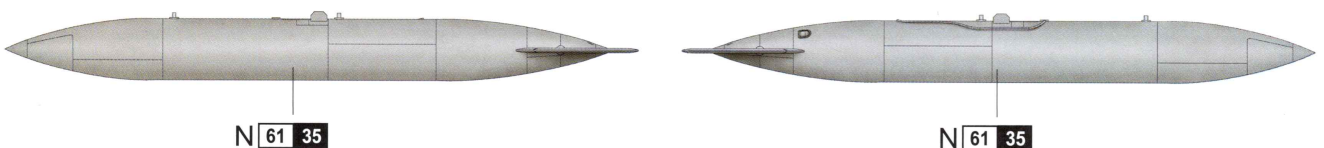
R-40R x2



R-40T x2



Fuel Tank x2





2



3

4

5

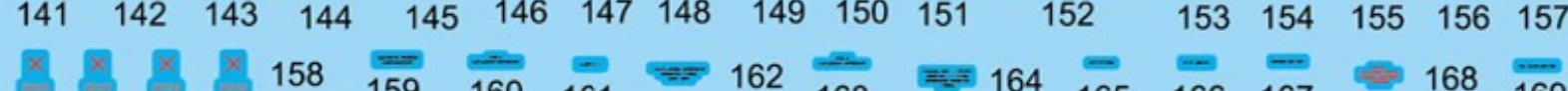
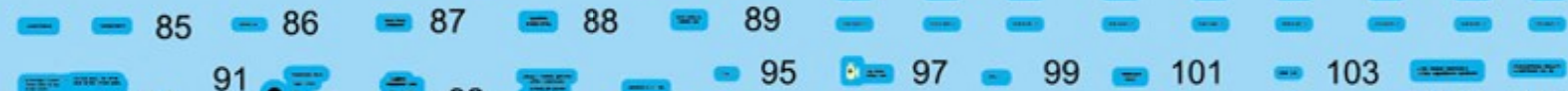
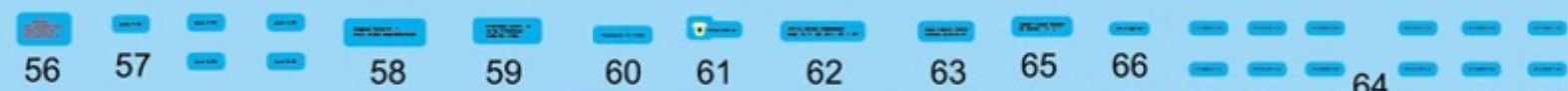
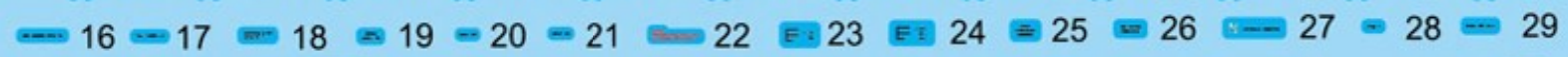


6



7

8



**01681 1/72 Russian MiG-31M Foxhound A**