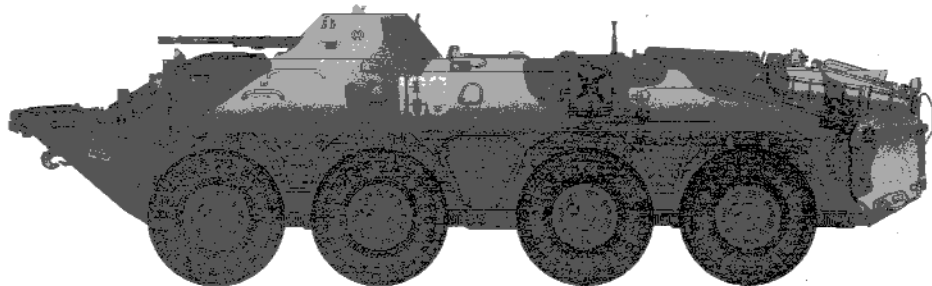


# Russian BTR-70 APC late version

## 俄罗斯BTR-70 装甲输送车 (后期型)



### READ BEFORE ASSEMBLY:

- Study and understand these instructions thoroughly before beginning assembly
- When needed, remove photo-etch parts carefully using a modeling knife or photo etch sprue cutter, being careful not to damage or lose small parts.
- Take extra care in handling photo etch parts in order to avoid injury
- Apply instant cement sparingly to photo etch parts where instructed
- Tools recommended(not included in kit):Plastic and instant cements,sprue cutters,long nose pliers,,modeling knife, small files, tweezers, pin vise & scissors. Soft cloth and sandpaper will also assist in construction
- Glue and paint are not included in the kit. Use plastic cement and hobby paints only. Color guide for purchasing paint is included in the kit.

### 装配之前仔细阅读

- 小心用模型锉刀锉平所有零件表面的注射浇口。
- 小心用刀片切下蚀刻片零件，不要遗失小零件。
- 用强力快干胶水粘合蚀刻片零件和金属轴。过量的快干胶水使用可能导致可动零件会粘住，小心涂胶。
- 取蚀刻片时应特别注意安全，防止利边划伤手指。
- 某些零件表面需贴水上贴纸，请选择在装配的同时进行。
- 推荐模型工具(自备)：胶水，水口剪刀，长咀钳，刀片，锉刀，镊子，钳，钻，剪刀，瞬间快干胶。
- 软布同砂纸同时也应该是必备工具。
- 请使用塑料胶水和油漆，模型内不含。



cyanoacrylate glue  
使用强力胶



weight  
配重



make hole  
钻孔



cut / remove  
切除



bend  
弯曲



file / sand  
锉平



option  
选择



no cement  
不涂胶水



decal  
贴纸



先装  
Install it first

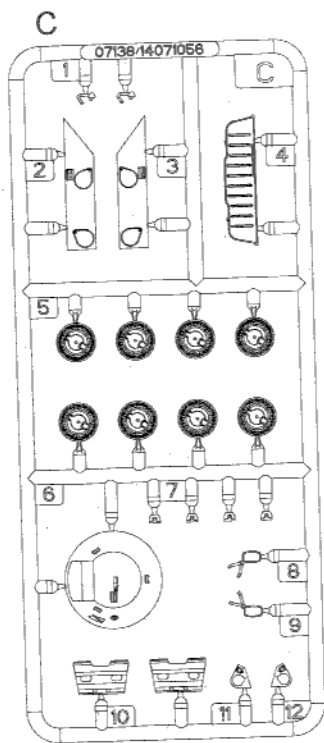
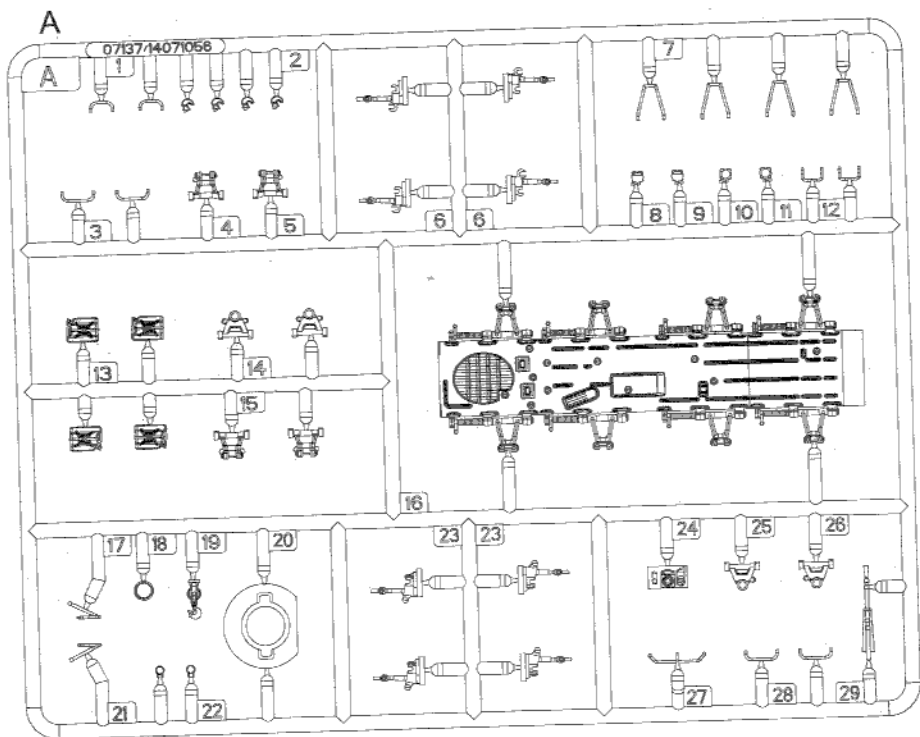
### 水贴纸的使用:

1. 从水贴上剪下印花;
2. 将印花放入温水中浸10秒, 然后放在干净布上.
3. 拿着印花纸板将印花移到模型上;
4. 手指蘸水将印花移到适当的位置;
5. 用软布轻压印花直至水干, 气泡消失.

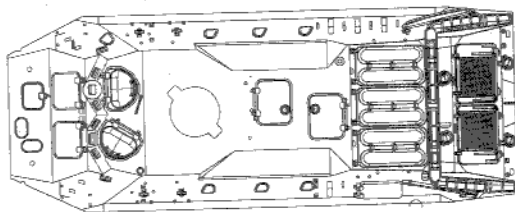
### DECAL APPLICATION

1. Cut off decal from sheet.
2. Dip the decal in tepid water 40°C for about 10 sec. and place on a clean cloth.
3. Hold the backing sheet edge and slide decal onto the model.
4. Move decal into position by wetting decal with finger.
5. Press decal gently down with a soft cloth until excess water and air bubbles are gone.
6. Allow decal to dry completely before handling model.

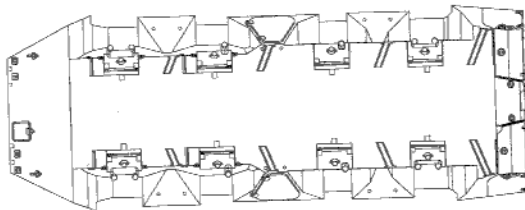
# 部品图 Parts



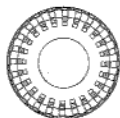
《车面》  
Upper hull



《车底》  
Lower hull



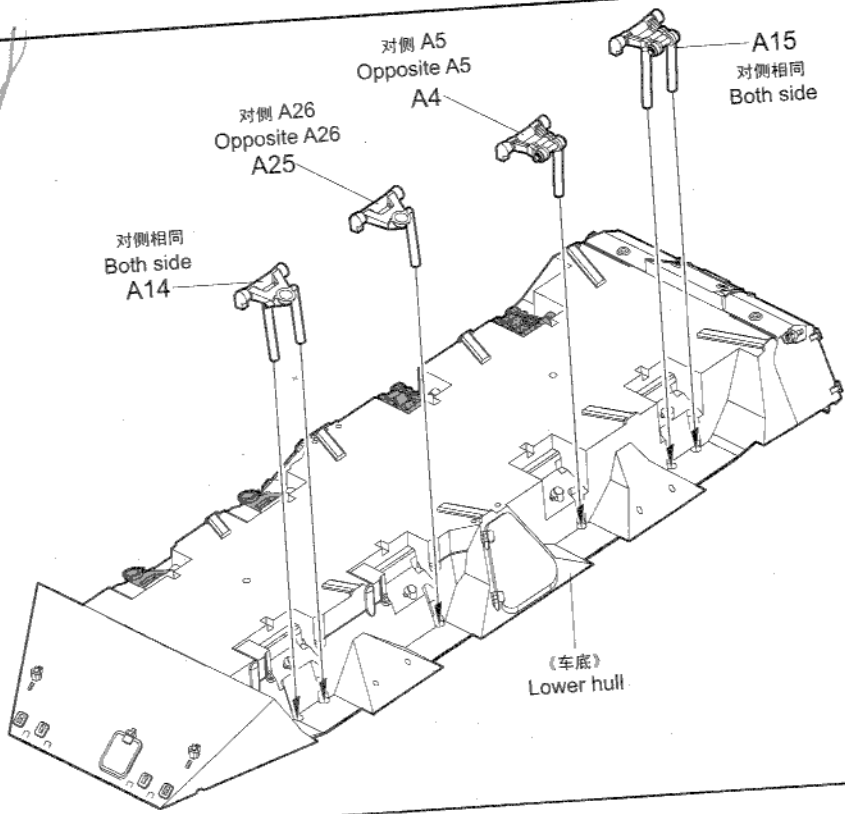
《轮胎》 x8  
Tyre x8



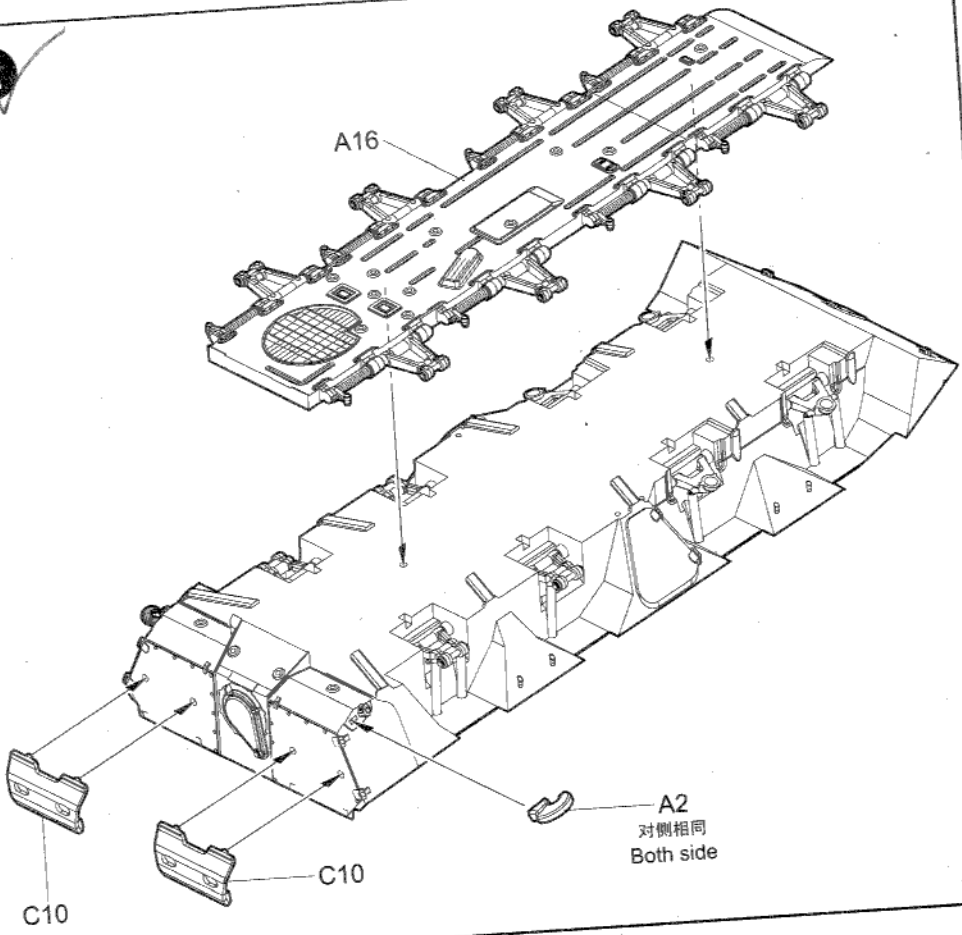
《水贴纸》  
Decal



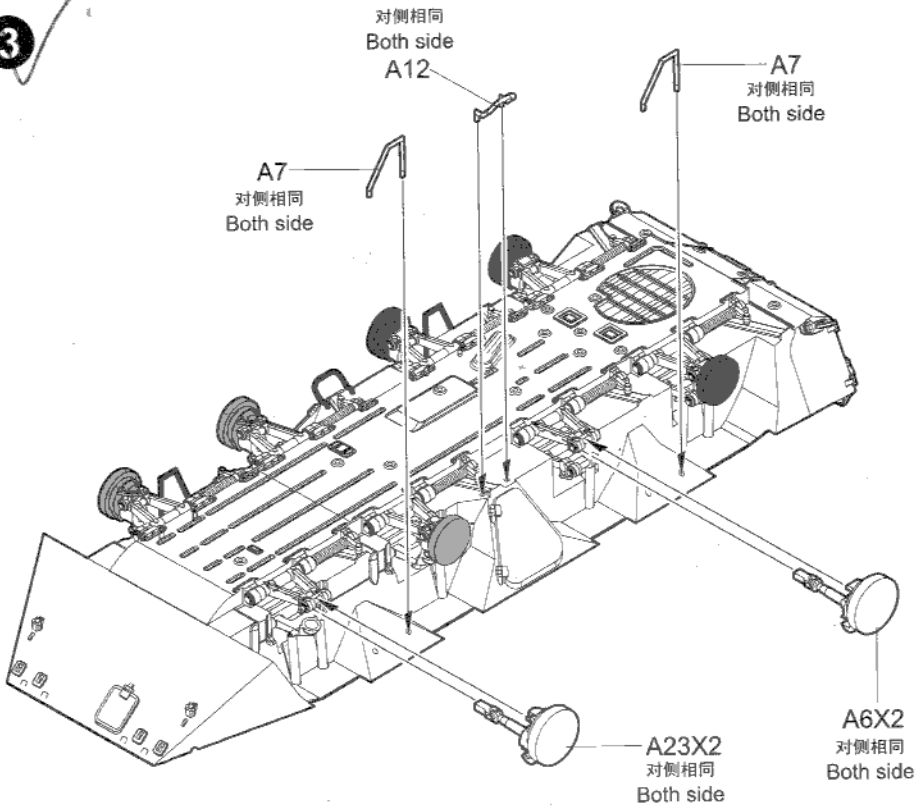
1



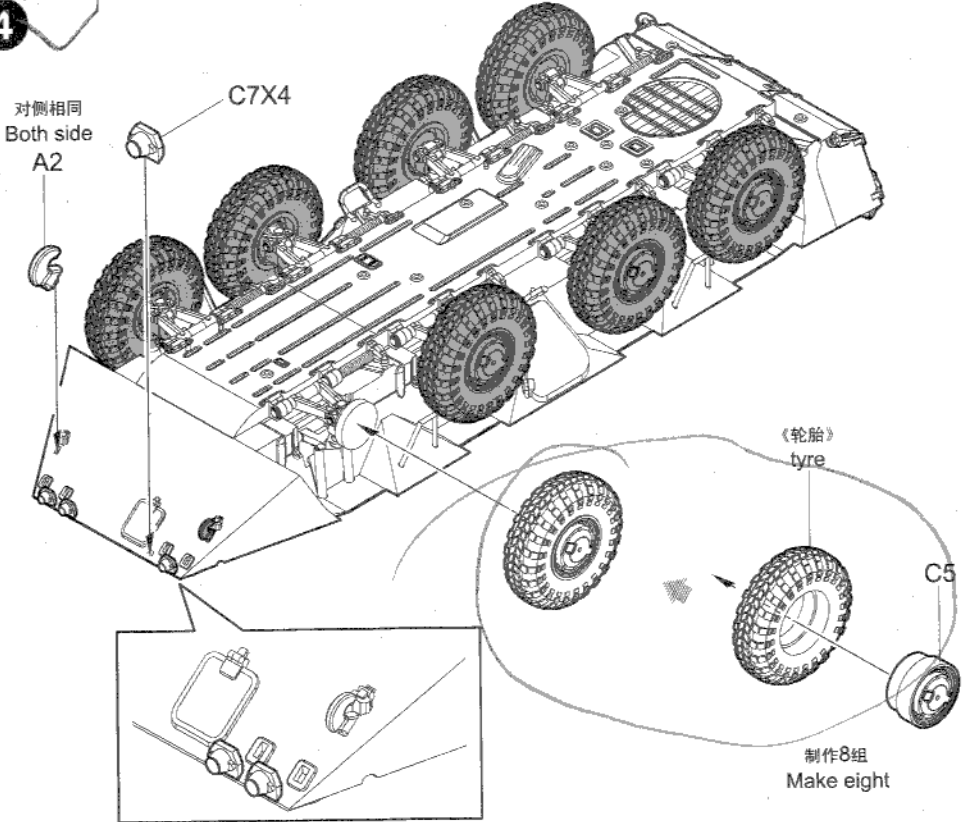
2



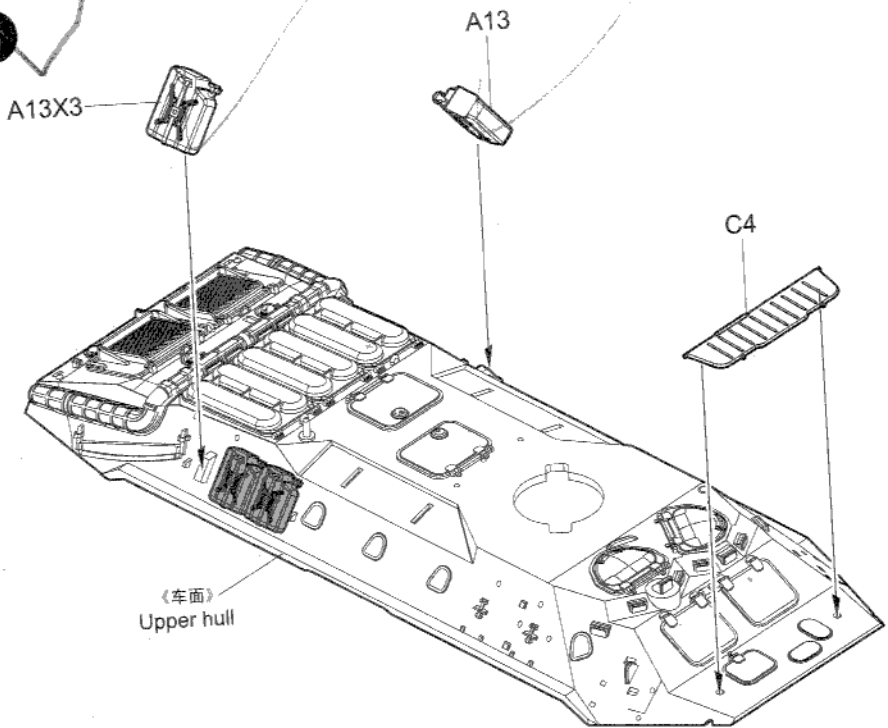
3



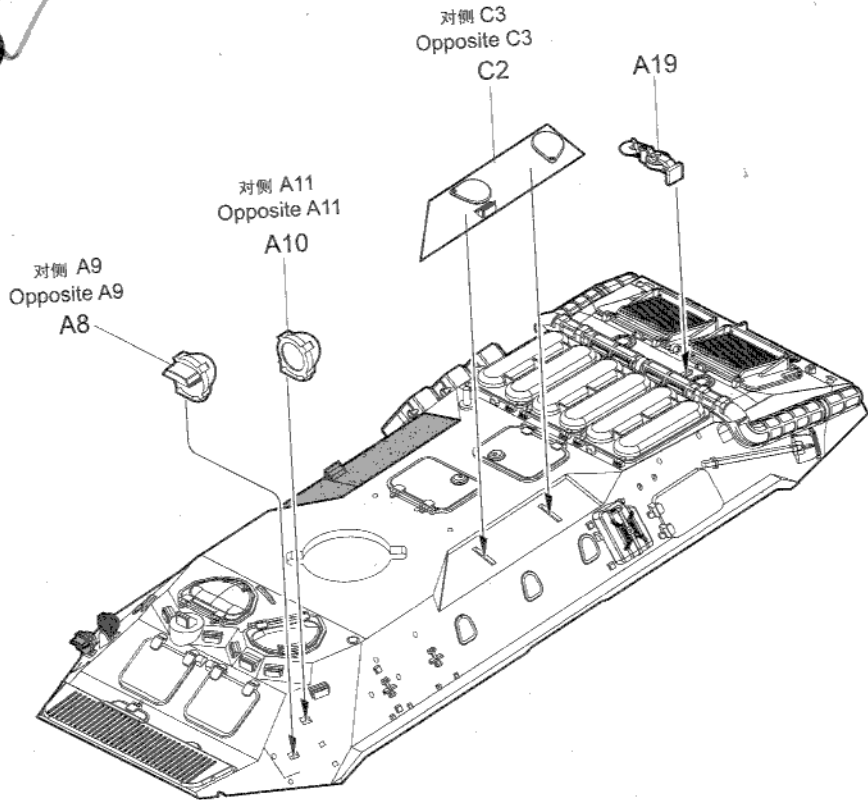
4



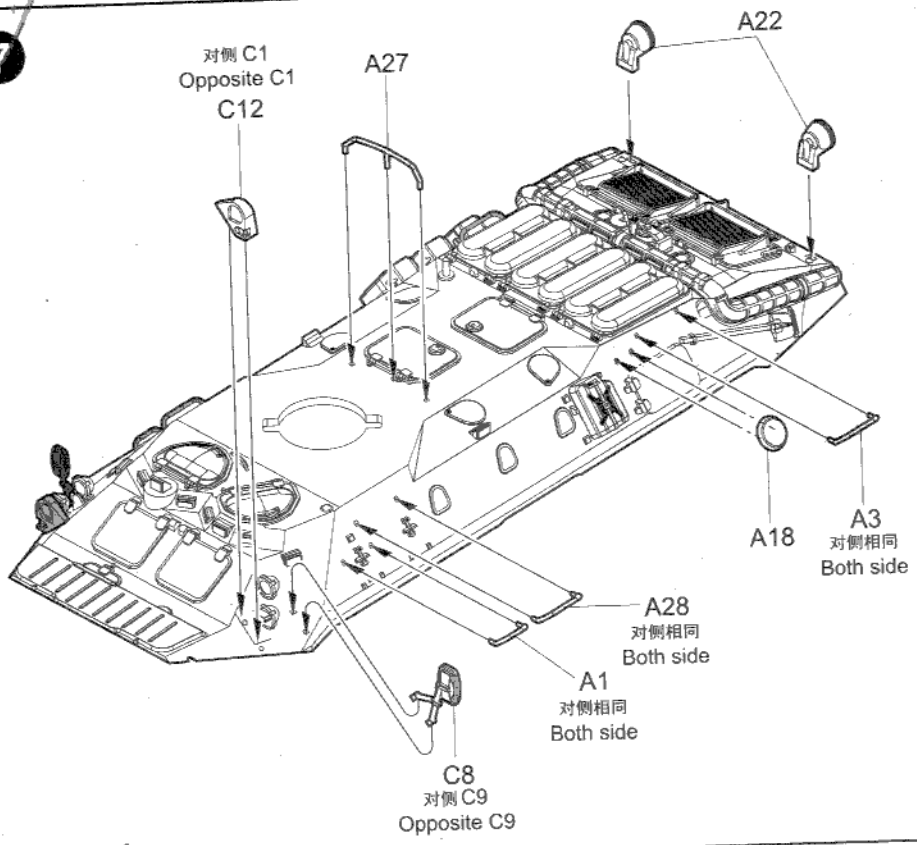
5



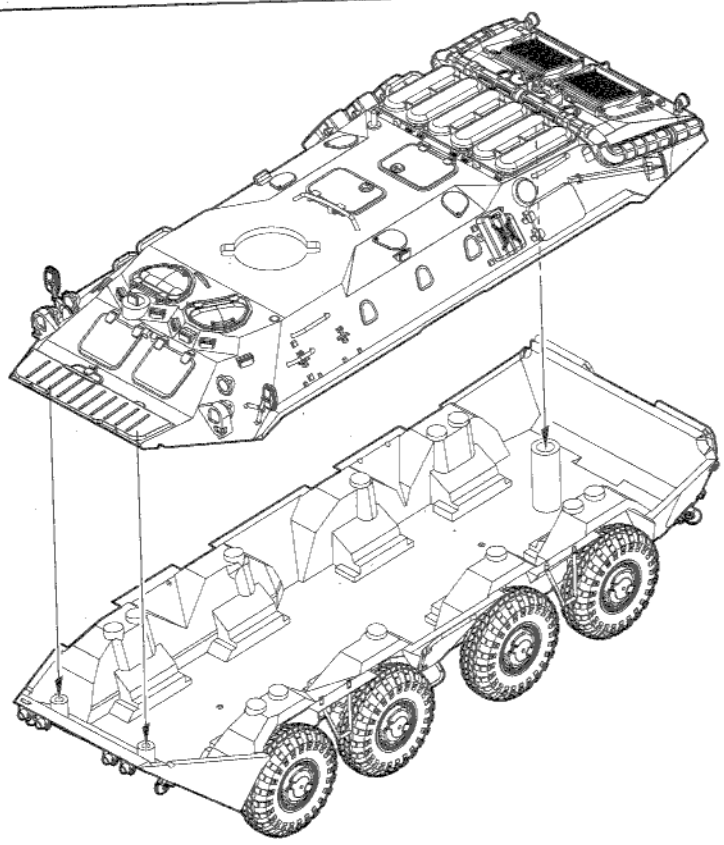
6



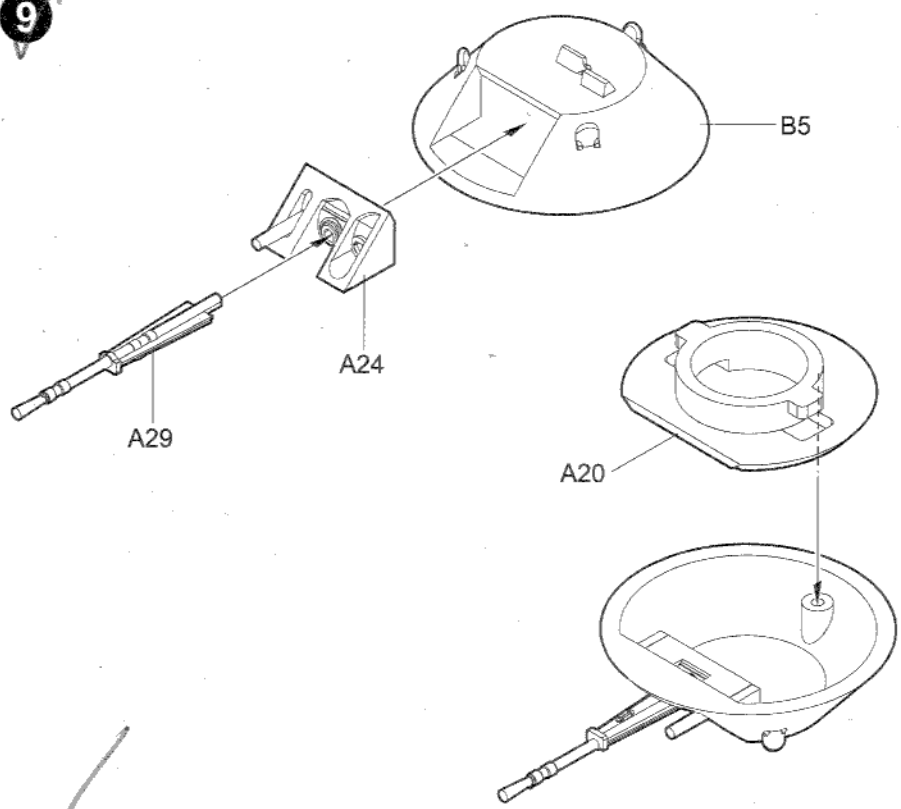
7



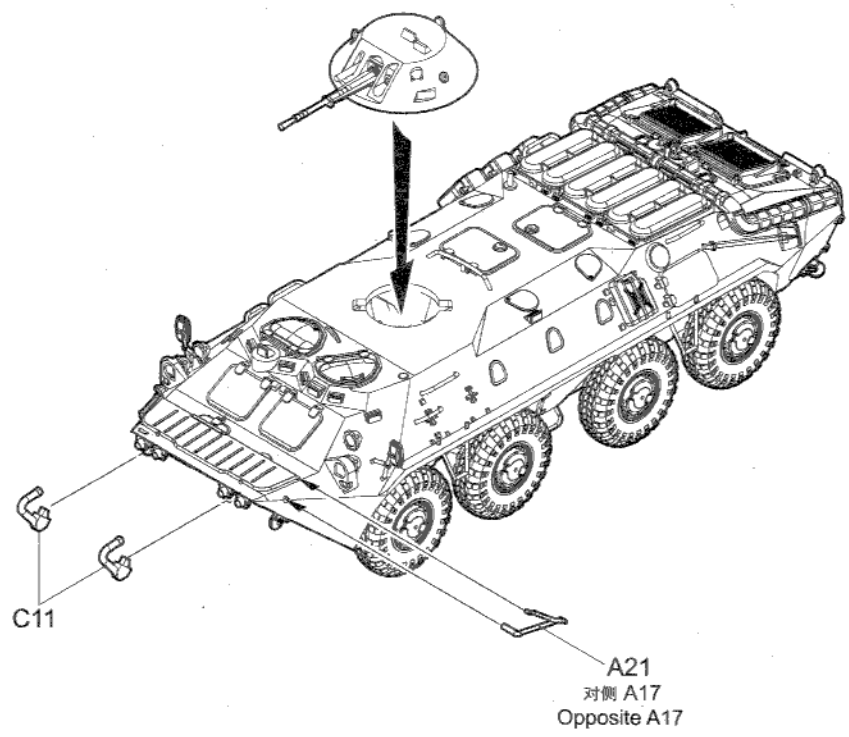
8



9



10



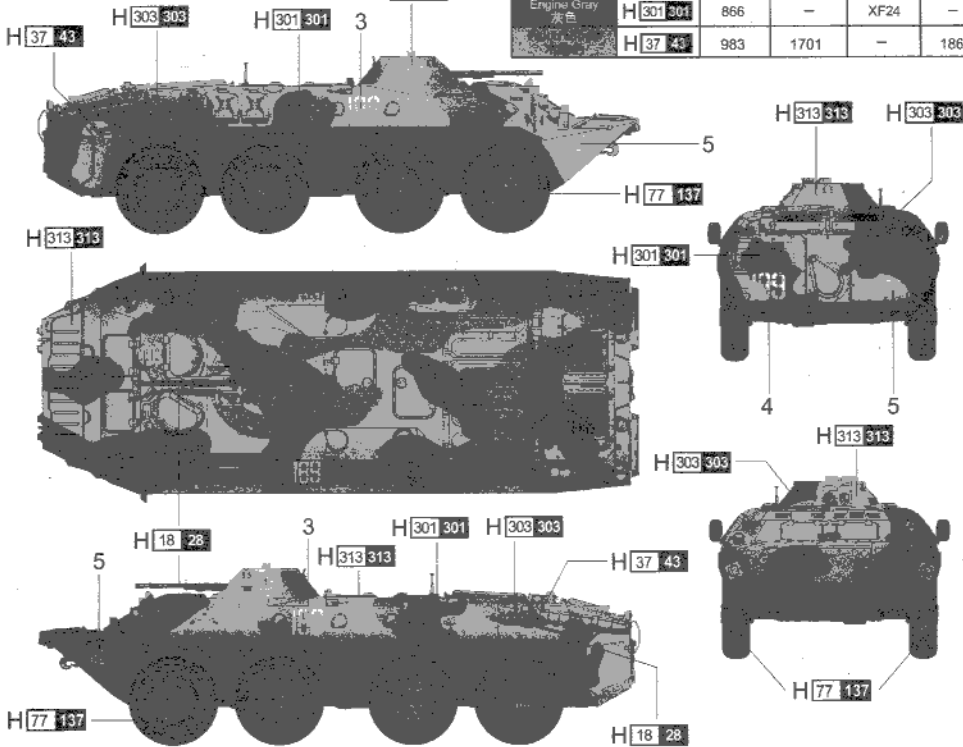
# 涂装同标贴指示

## Painting & Marking guide

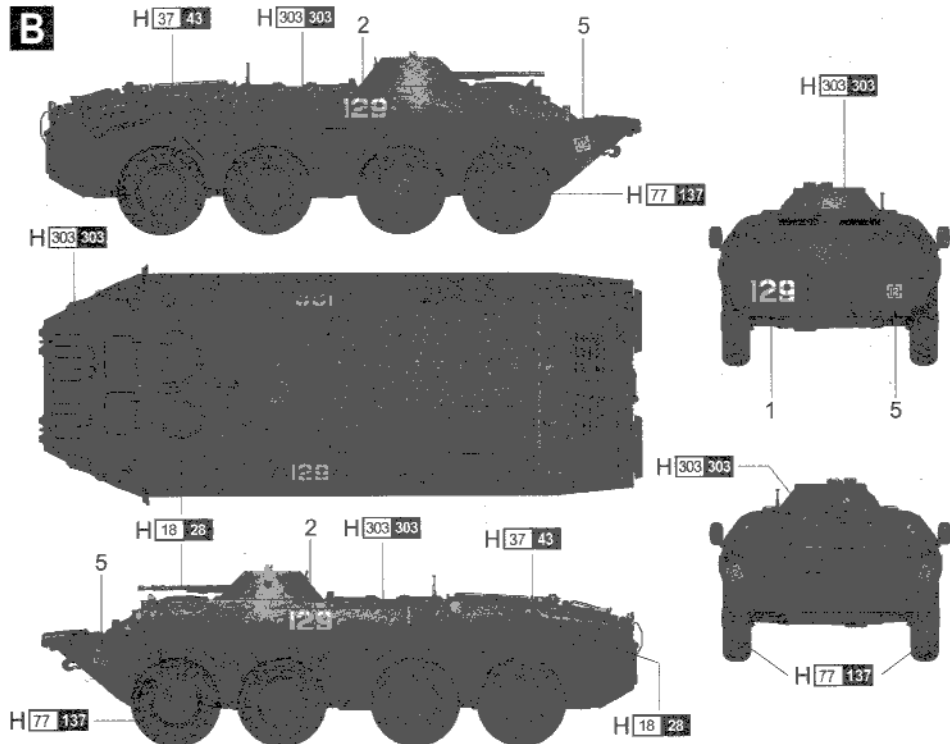
50%  
70%  
50% WHITE

Color	Mr.Hobby	Vallejo	Model Master	Tamiya	Humbrol
Metal Black 金属色	H 18 28	864	1402	-	-
Yellow 黄色	H 313 313	819	1706	-	121
Tire Black 胎黑色	H 77 137	-	-	-	-
Light Green 绿色	H 303 303	-	3713	XF20	117
Engine Gray 灰色	H 301 301	866	-	XF24	-
	H 37 43	983	1701	-	186

### A



### B



Mr. HOBBY AQUEOUS HOBBY COLOR

Mr. COLOR