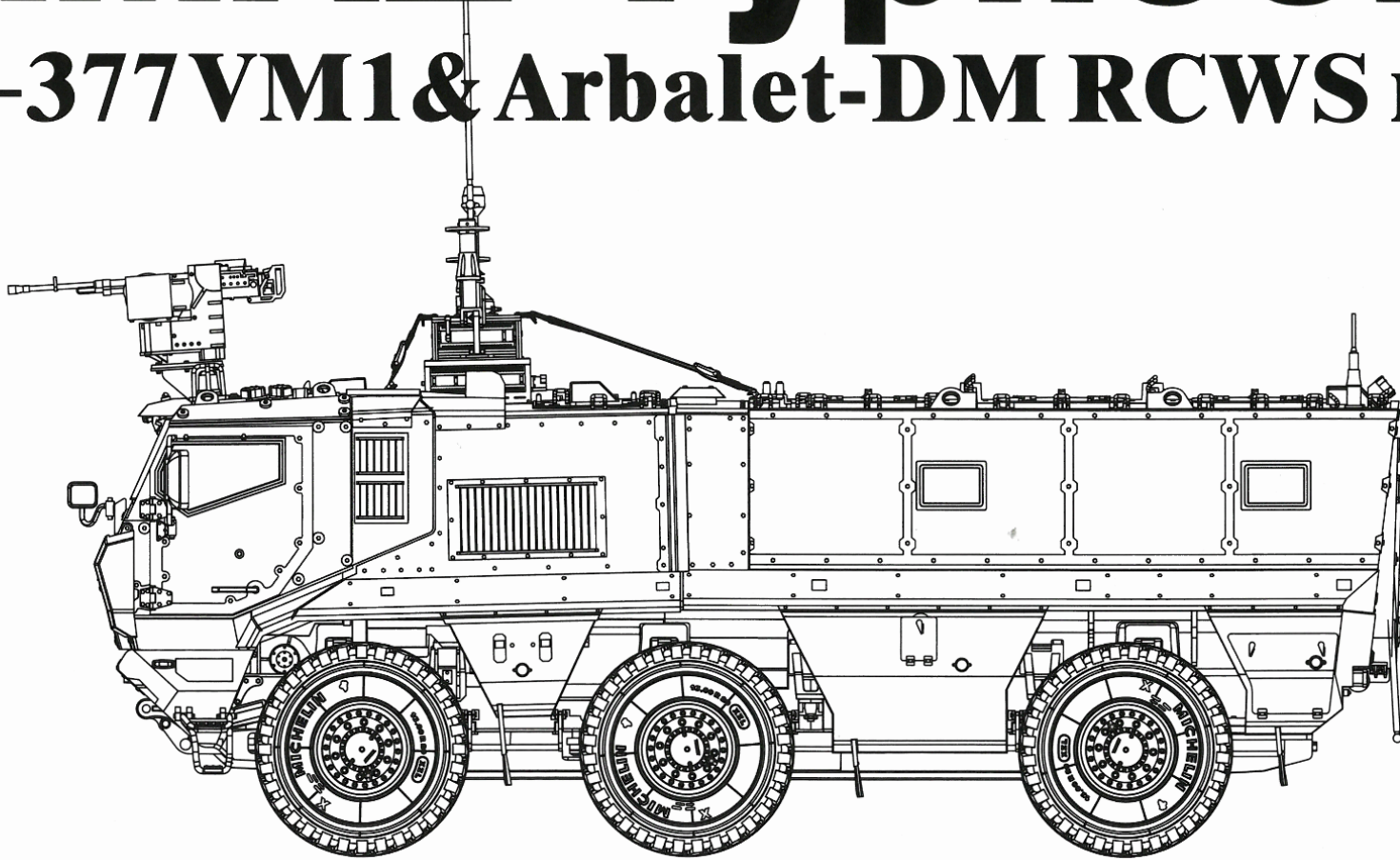


KAMAZ Typhoon-K

w/RP-377VM1 & Arbalet-DM RCWS module

2in1



Designed & manufactured for the Russian Army by KAMAZ, the 63968 Typhoon is a special purpose 6x6 armored MRAP (Mine Resistant Ambush Protection) vehicle. This new generation of 6x6 armored vehicles can be deployed in reconnaissance, surveillance, command, medical evacuation, fire support, special attack, troop transport, and armed escort missions.

The Kamaz Typhoon-K 6x6 armored vehicle can accommodate two crew and up to 16 troops. The vehicle is armed with a remotely controlled weapon system (RWS) produced by Elektromashina JSC, which can be fitted with either the RP-377VM1 RP-377VM1 Radio Fuse Jammer or the Arbalet-DM RCWS Module designed for engagement of manpower and weapons of the enemy, as well as vehicles and aerial targets. The MRAP vehicle is protected by integrated ceramic armor, bullet-proof glass, and enjoys night vision and full NBC protection. The Typhoon-K is powered by a 450 HP RM3-5367 I6 diesel engine mated to an automatic transmission, with a maximum road speed of 65mph/105kph and a range of 745 miles/1200 km. It is equipped with independent hydropneumatic suspension fitted with 10.00-20 wheels and 16.00 R20 bullet resistant tires with blast-resistant inserts.

The RP-377VM1 is a lightweight, compact radio wave jammer that can be mounted on light vehicles as well as on state-of-the-art vehicles such as the Typhoon K.

The Arbalet complex based on the Kamaz Typhoon K detects and identifies targets with a narrow field of view at a range of at least 2500 meters. It also features a thermal imaging sighting camera with a range of detection and target recognition of at least 1500 meters. The module is armed with a 12.7mm Kord machine gun, the ammunition of which is up to 450 rounds.

READ BEFORE ASSEMBLY

CAUTION

- Read carefully and fully understand the instructions before commencing assembly. A supervising adult should also read the instructions if a child assembles the model.
- When assembling this kit, tools including knives used. Extra care should be taken to avoid personal injury.
- Keep out of reach of small children. Children must not be allowed to suck any part, or pull vinyl bag over their heads.



Optional



Do Not Cement



Be Careful



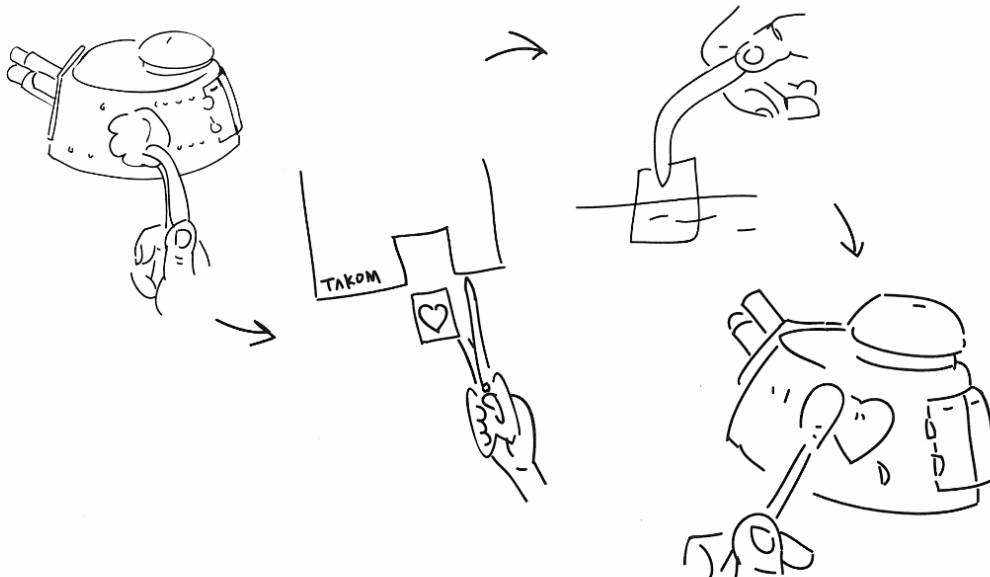
Heating



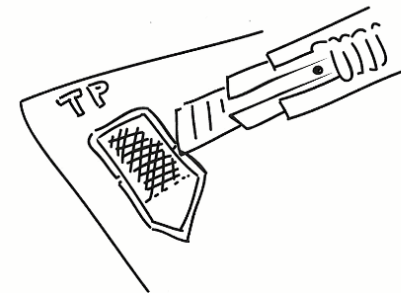
Instant Glue
for Metal

APPLYING DECALS

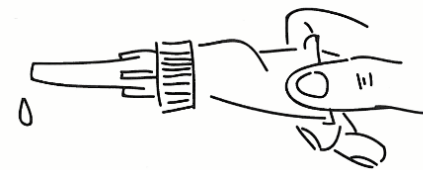
1. Clean the model surface with a wet cloth.
2. Cut out each decal design from sheet, and dip it in tepid water for 15~20 sec.
3. Hold the backing sheet edge and slide decal onto the model.
4. Move decal into position by wetting decal with finger.
5. Press decal gently down with a soft cloth until excess water and air bubbles are gone.



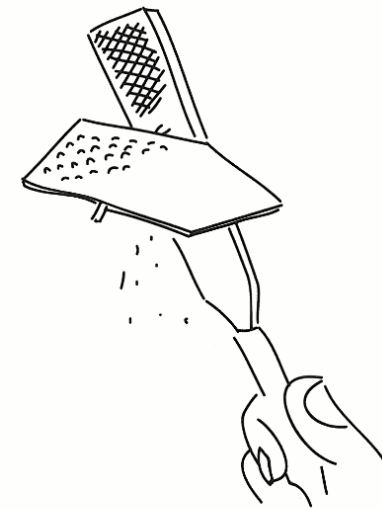
REMOVING PE



Be careful not to hurt when removing PE parts.

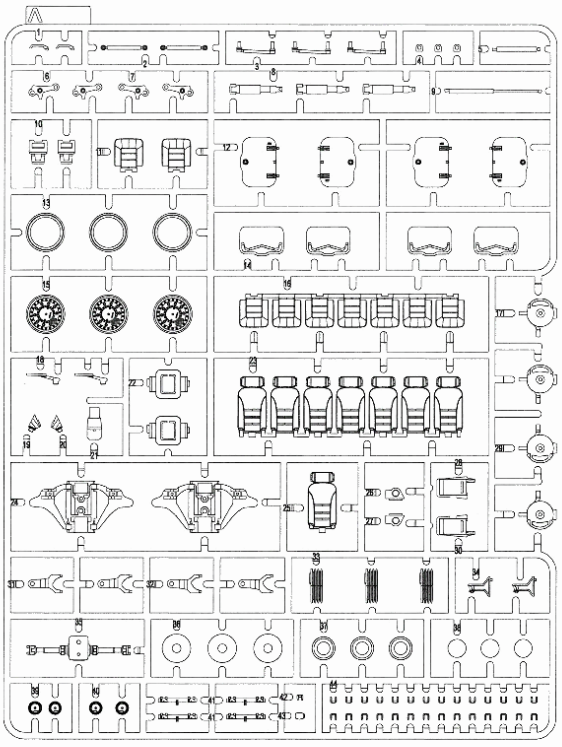


Secure using instant glue (not included).

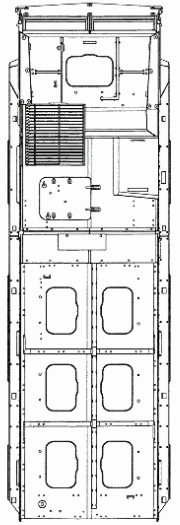
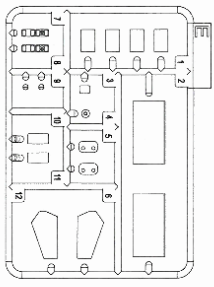
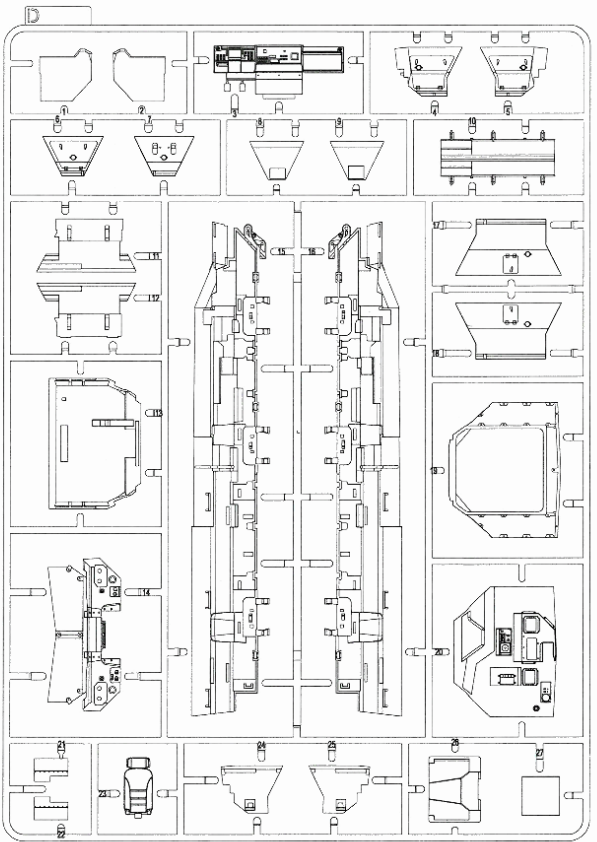
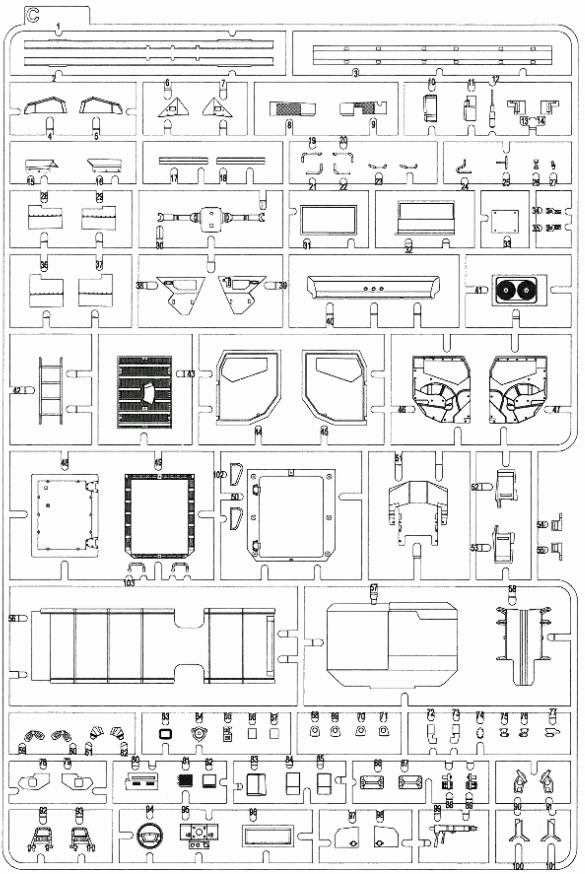


Finish using file.

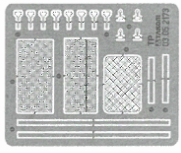
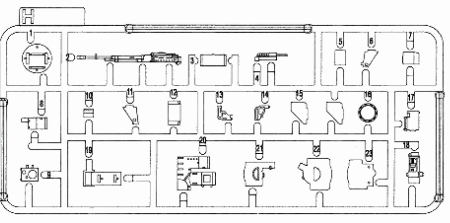
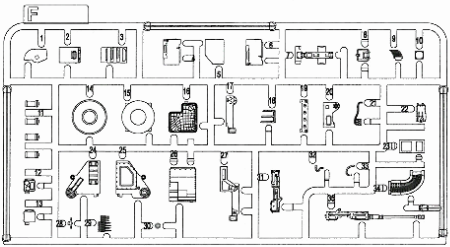
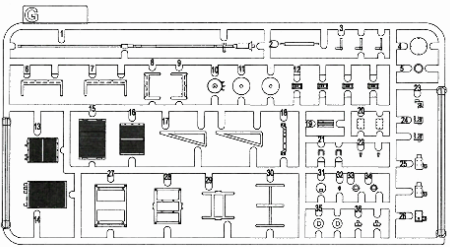
PARTS



X2



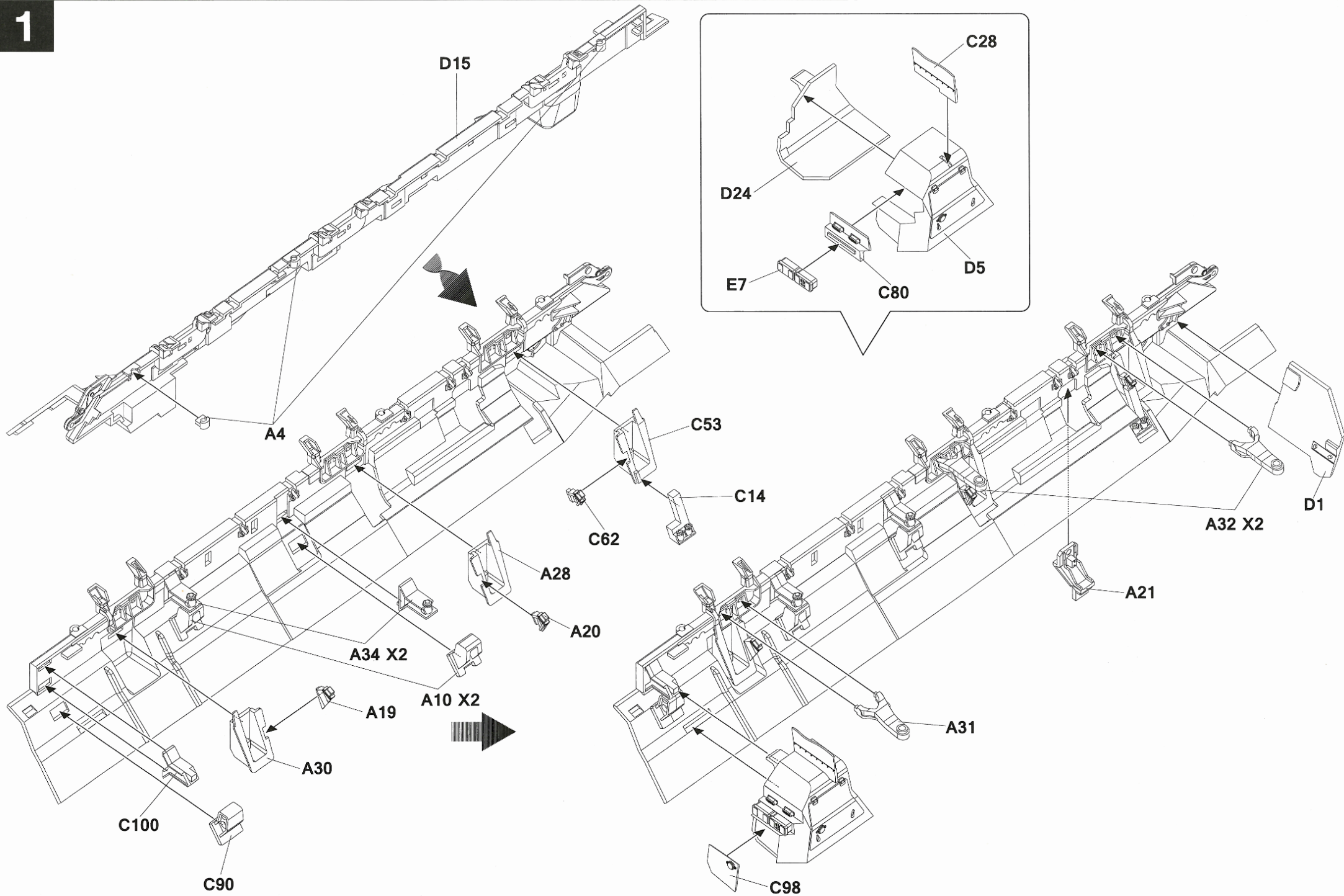
Upper Hull



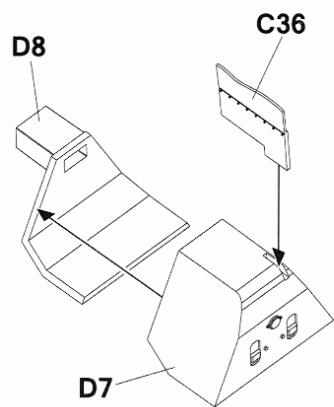
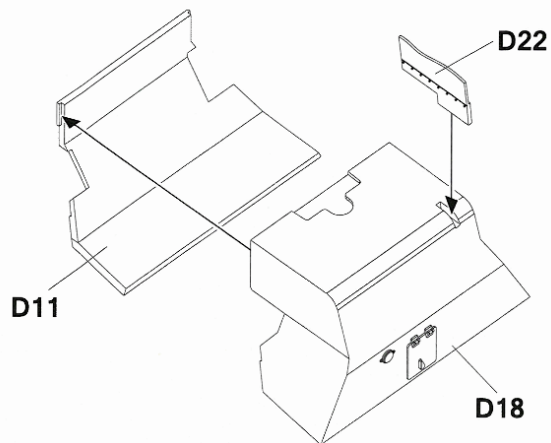
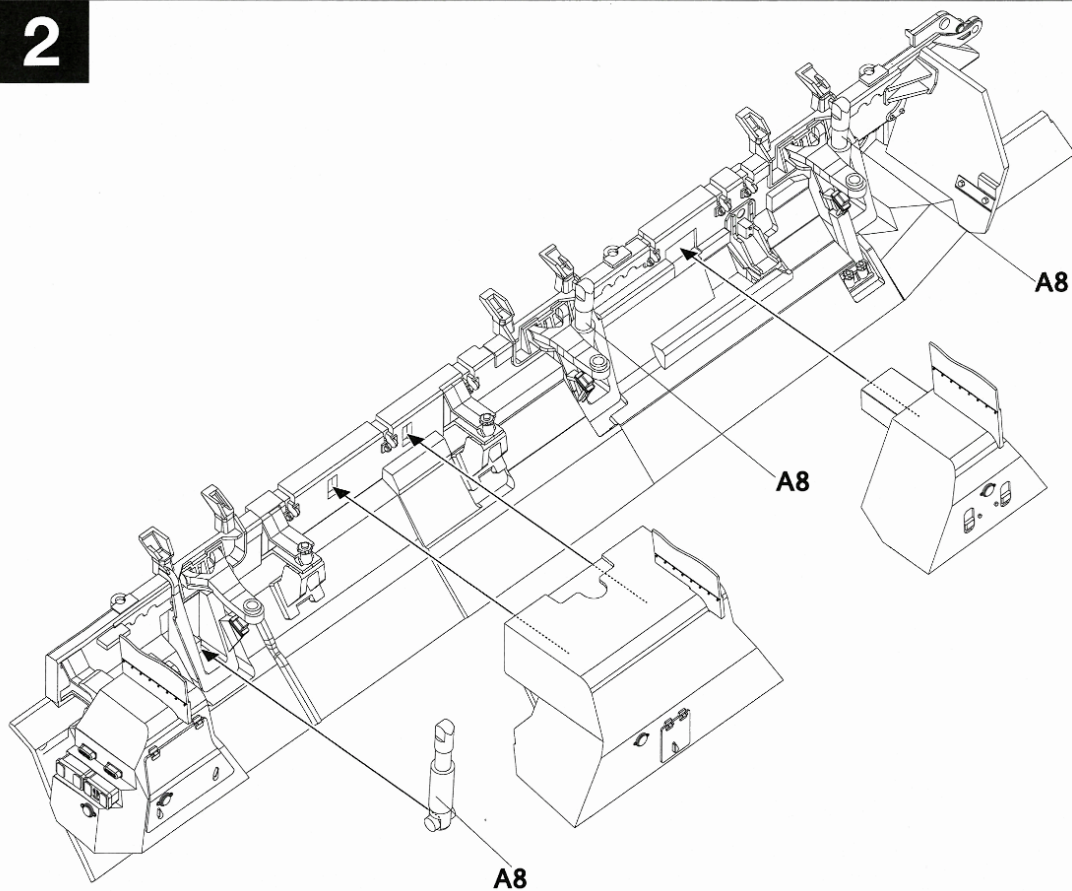
TP



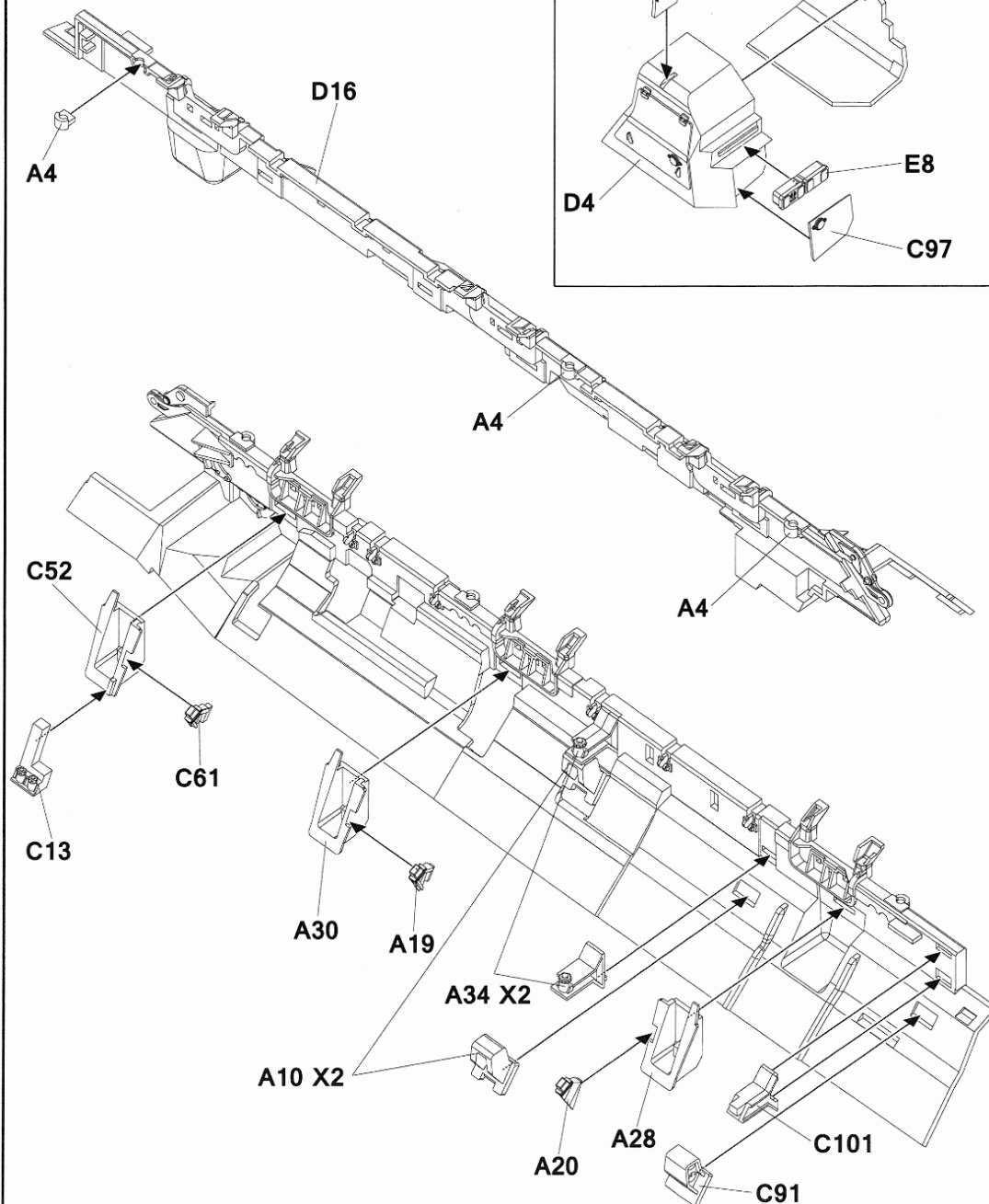
Tire X6



2

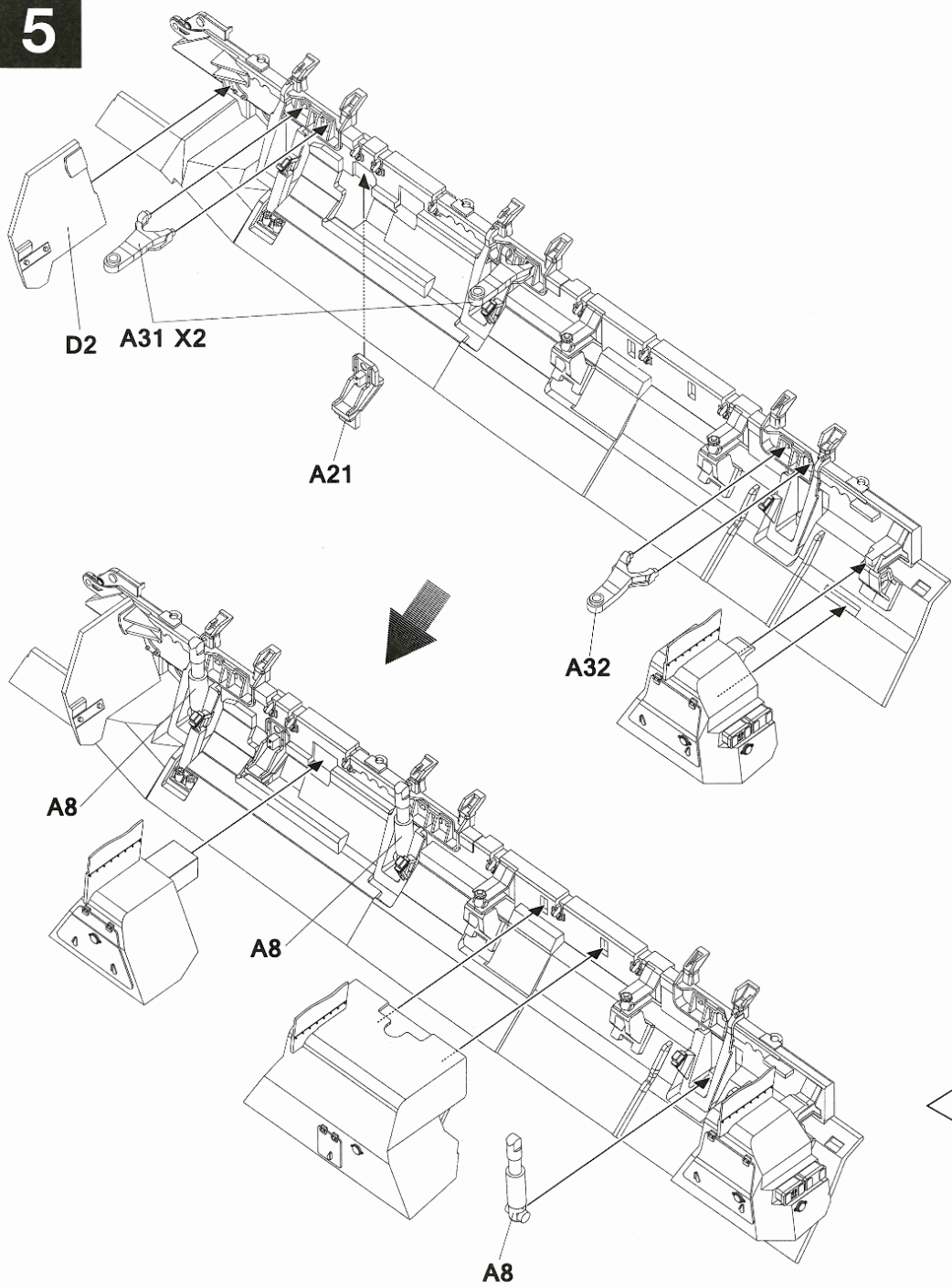


3

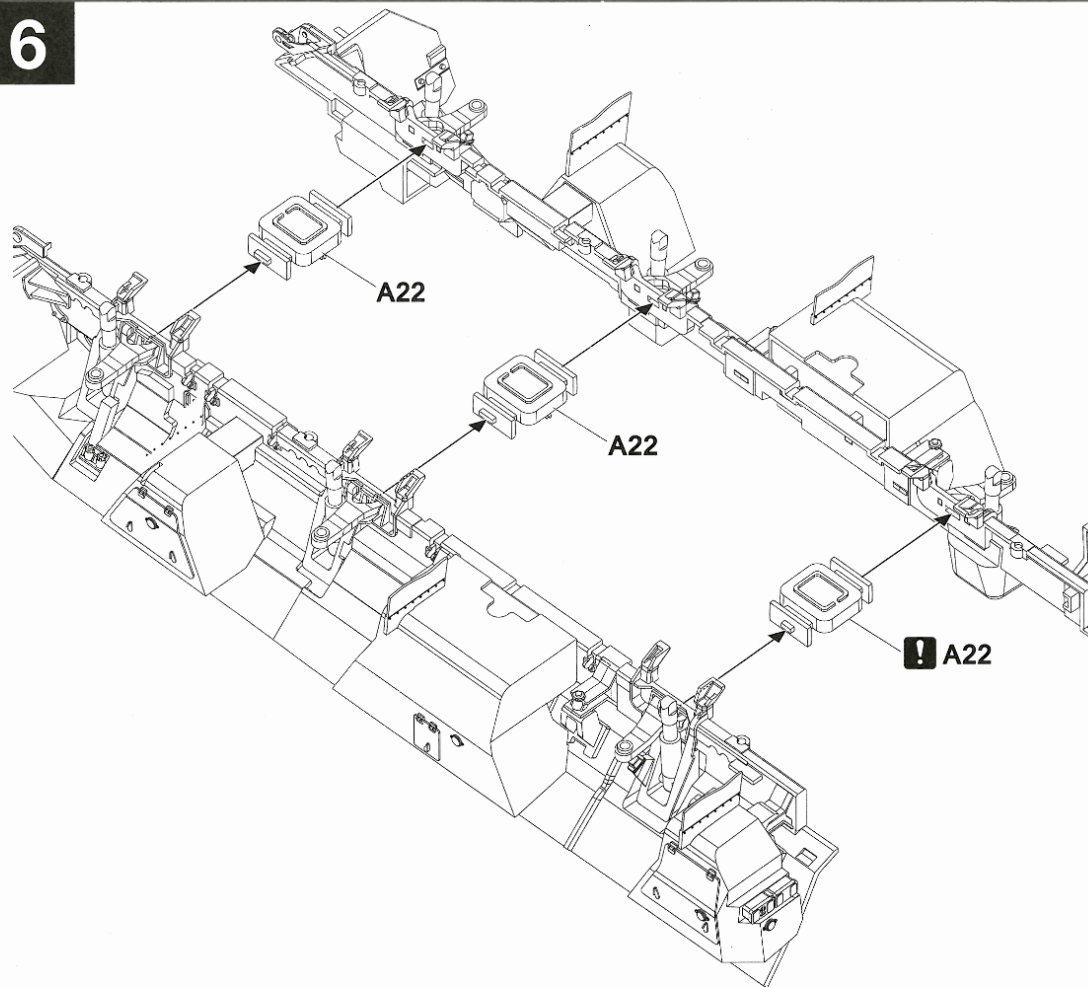


4

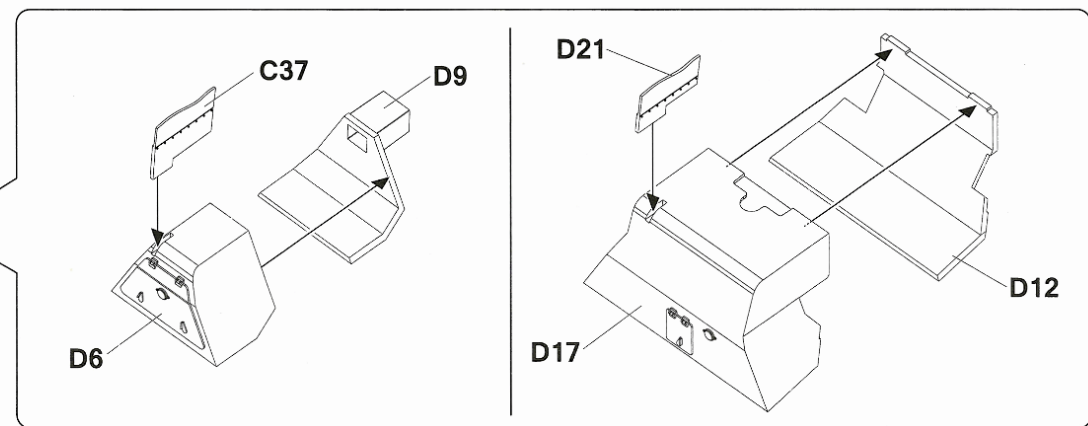
5



6

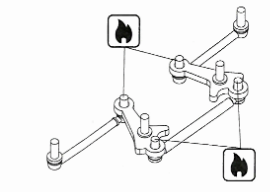
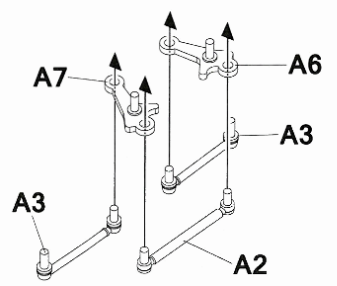
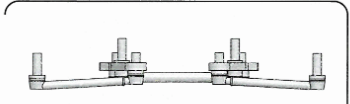
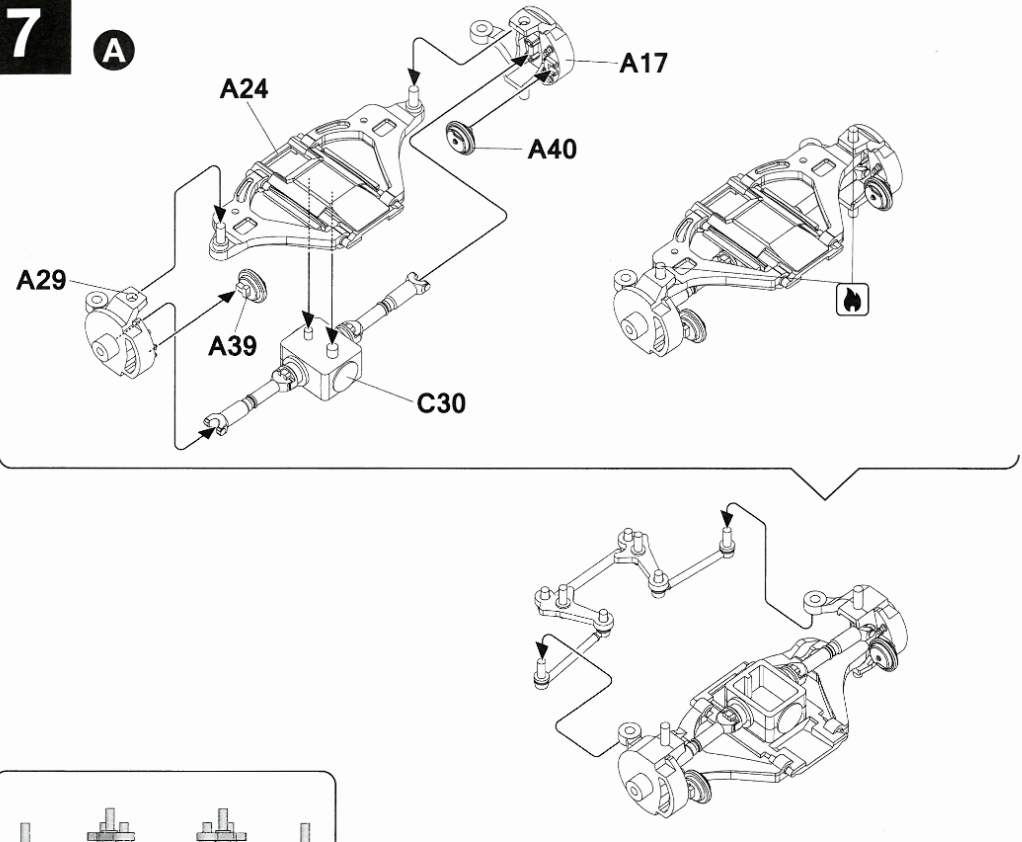


5

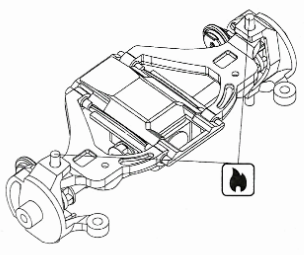
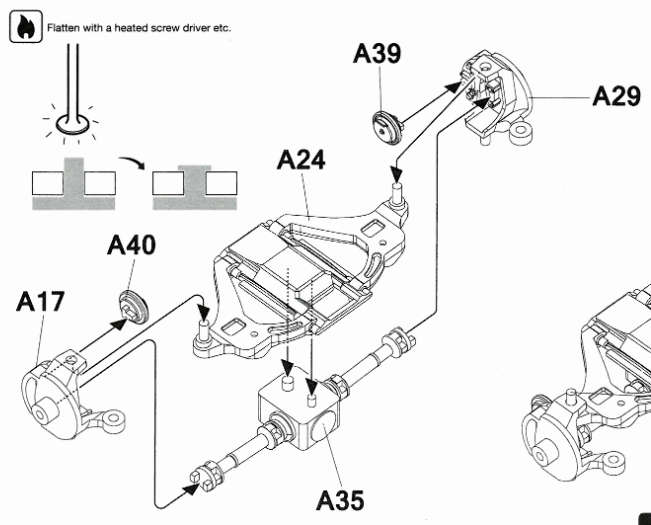


7

A



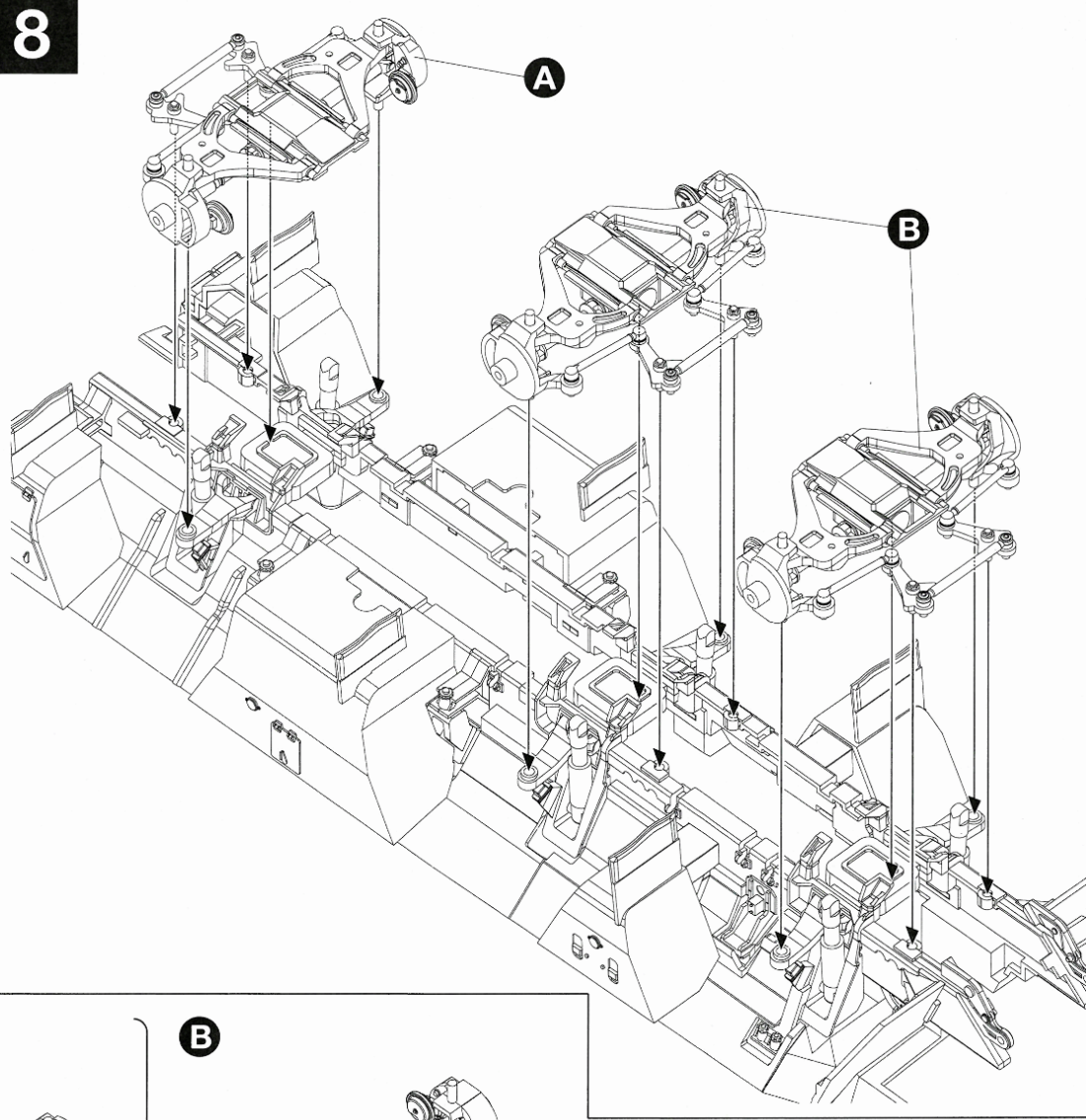
Make 3



Make 2

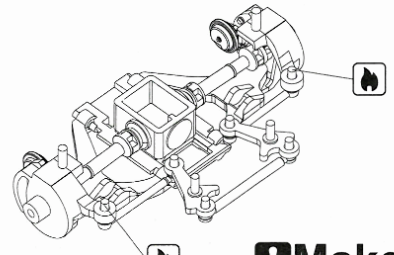
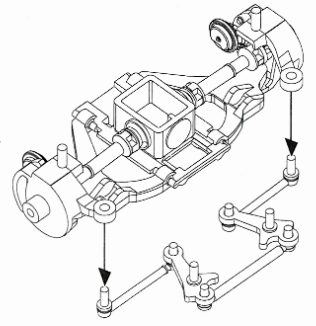
8

A



B

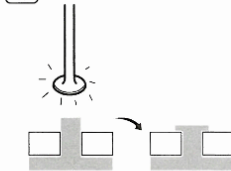
B



Make 2

10

Flatten with a heated screw driver etc.



9

Opposite

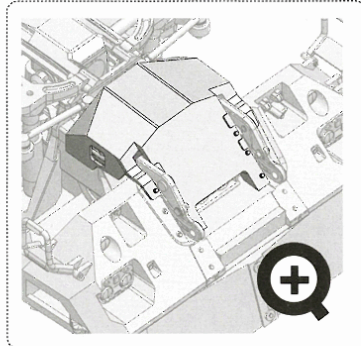
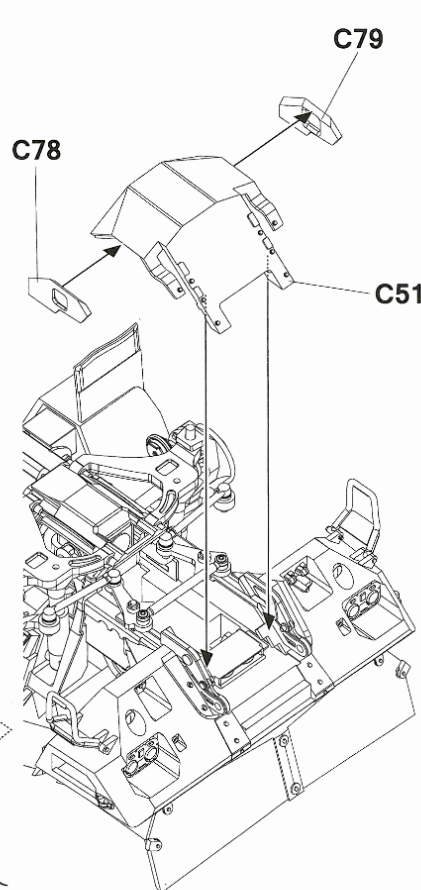
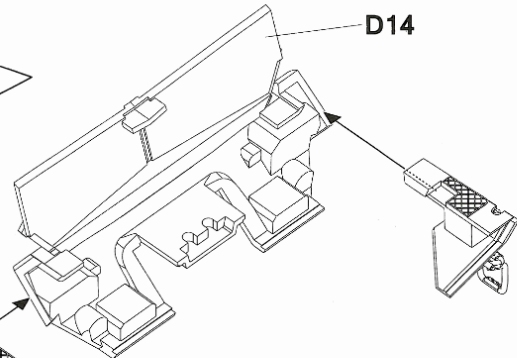
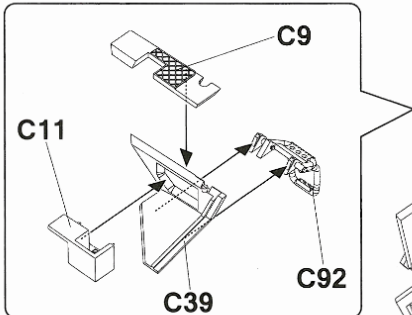
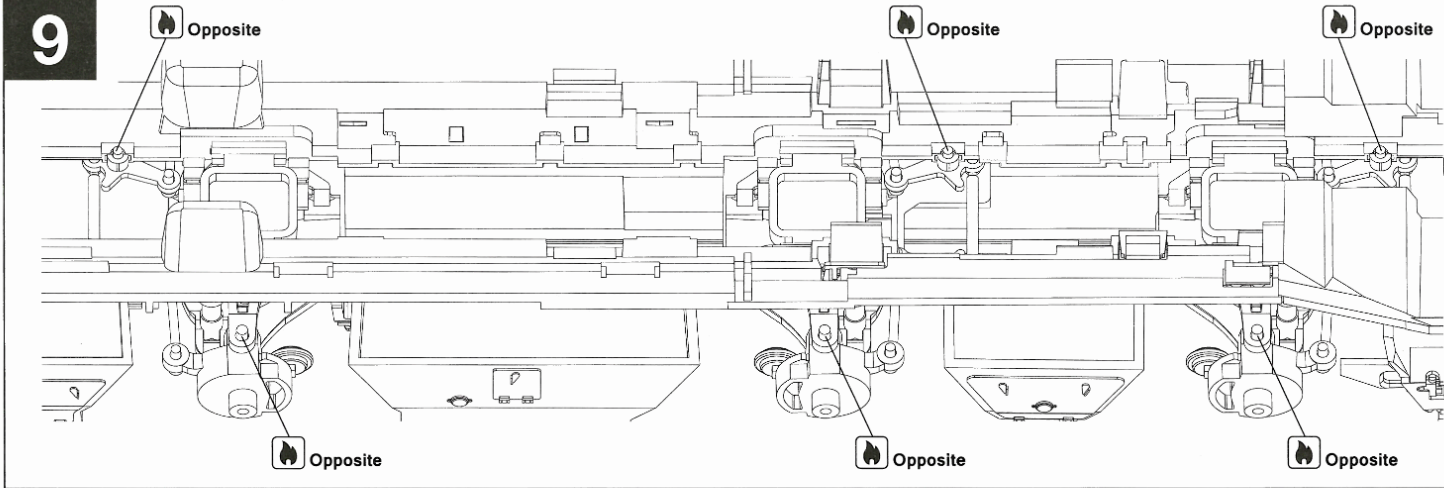
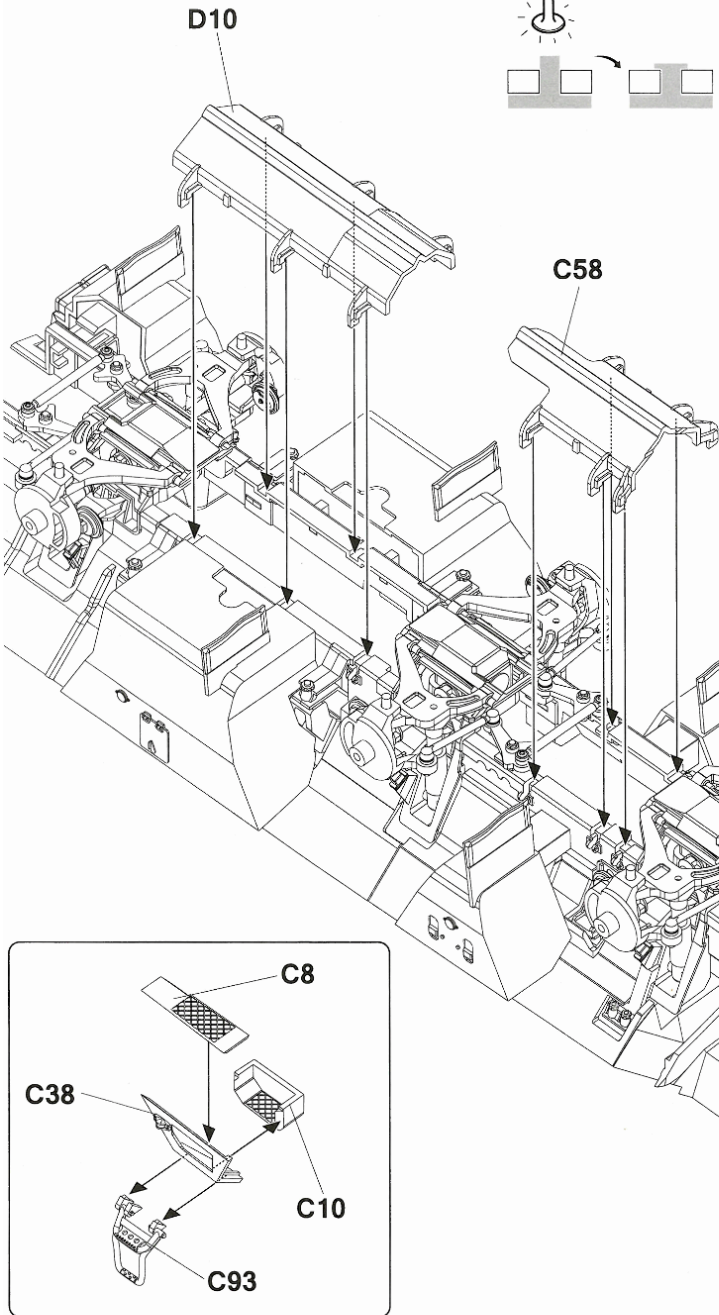
Opposite

Opposite

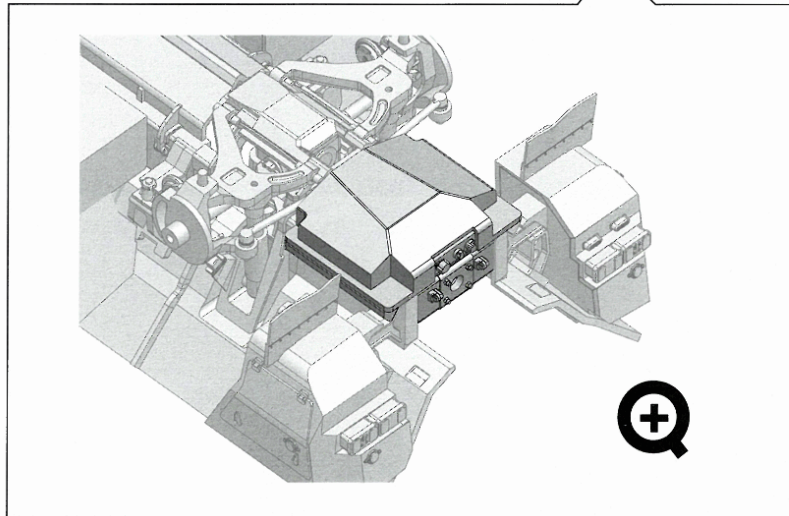
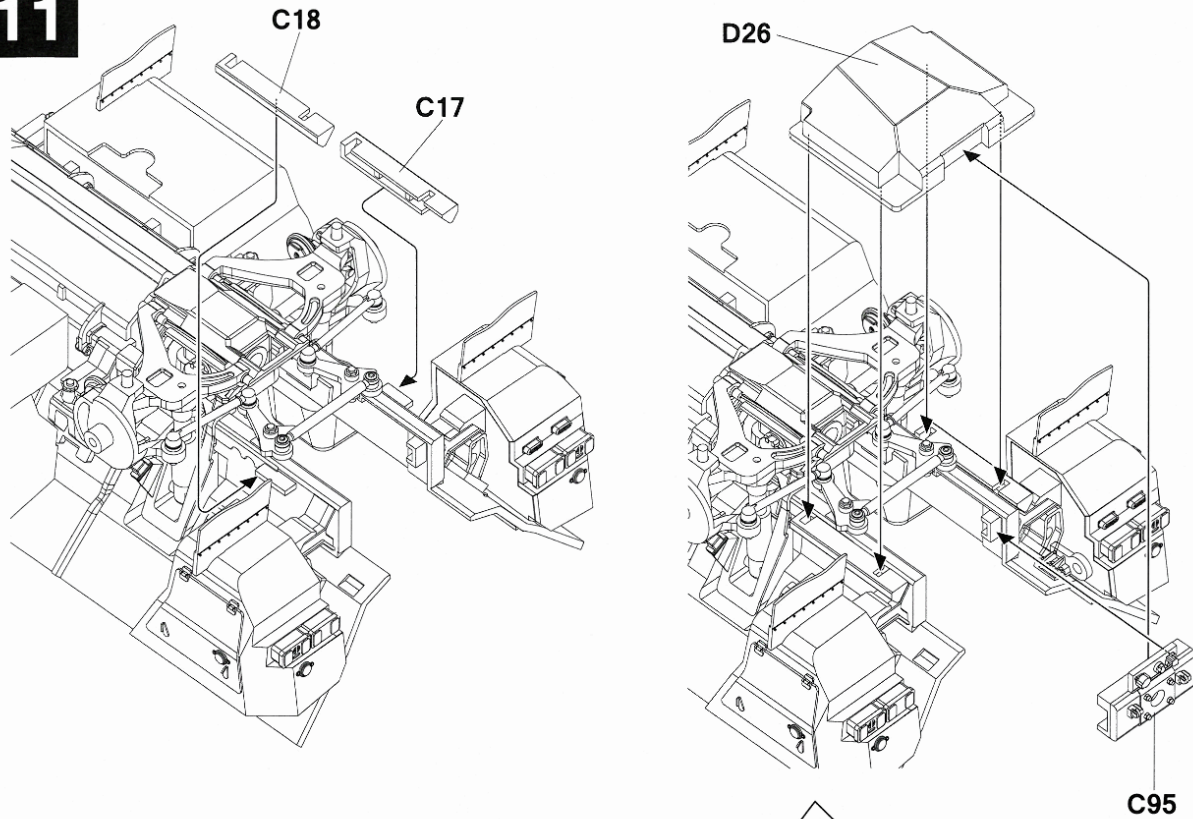
Opposite

Opposite

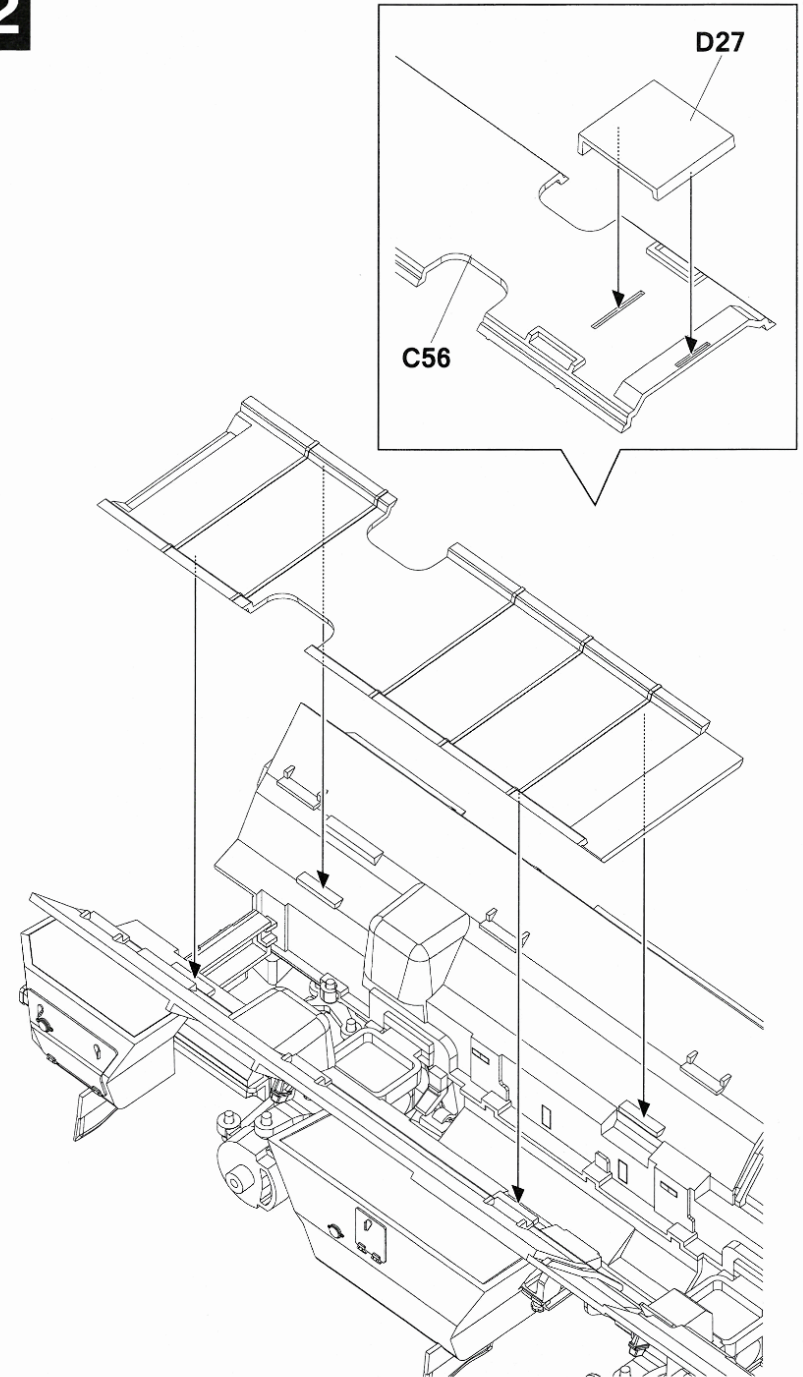
Opposite



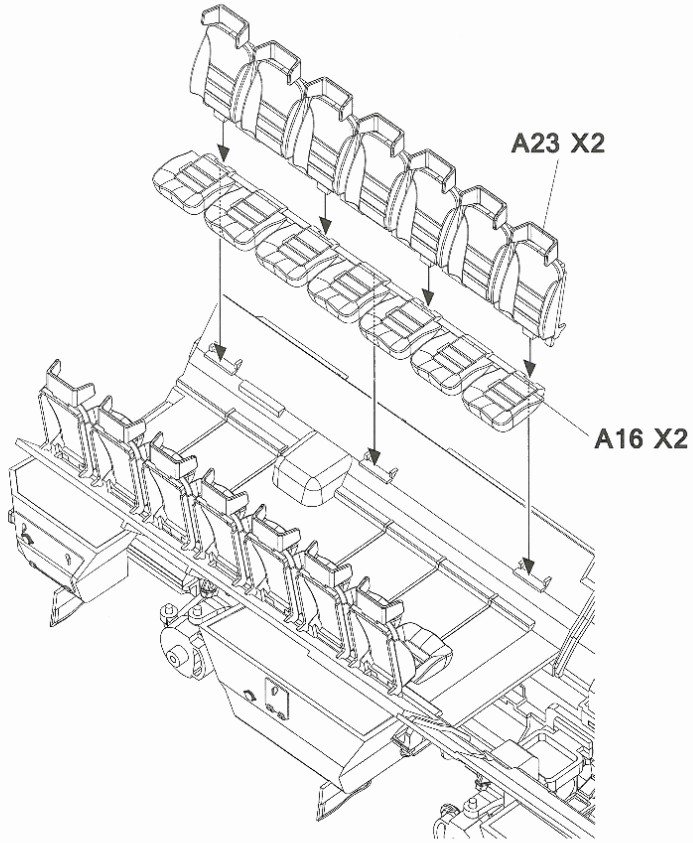
11



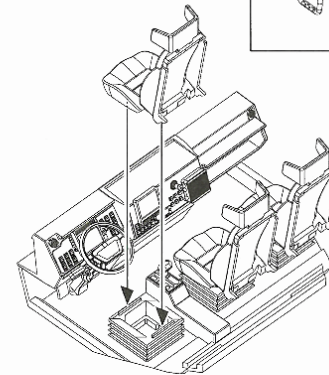
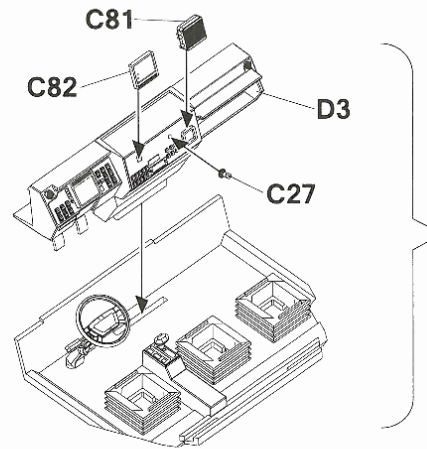
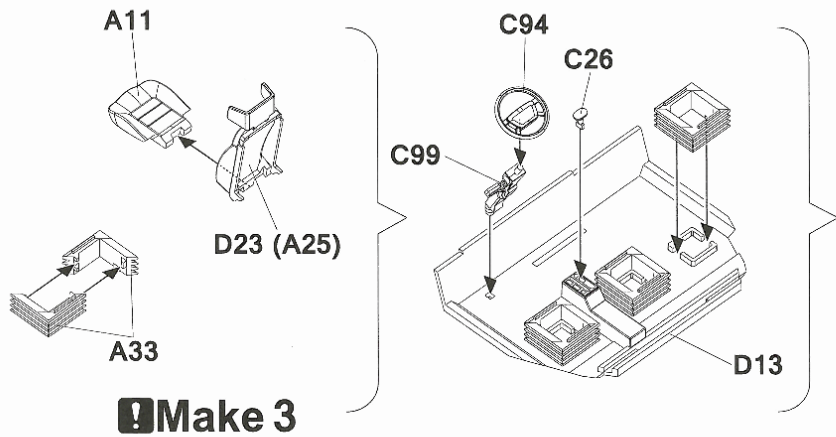
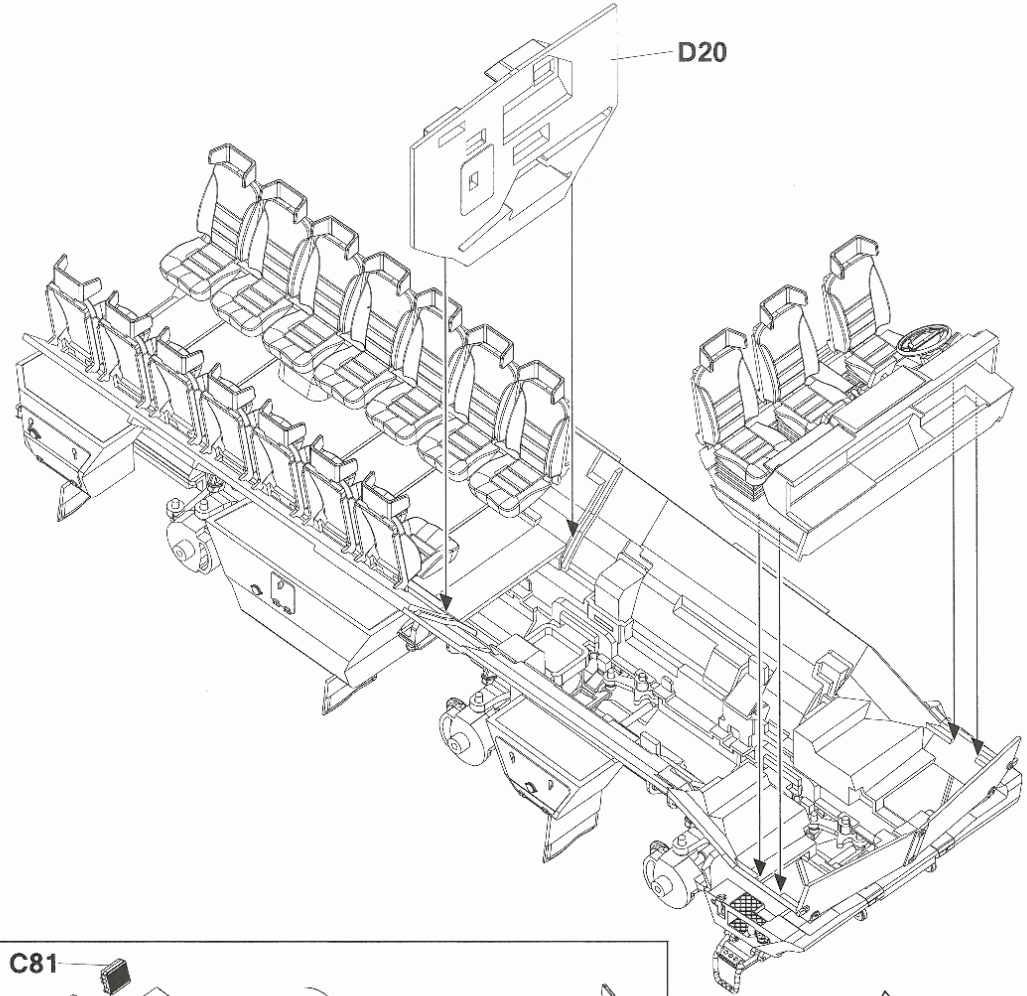
12



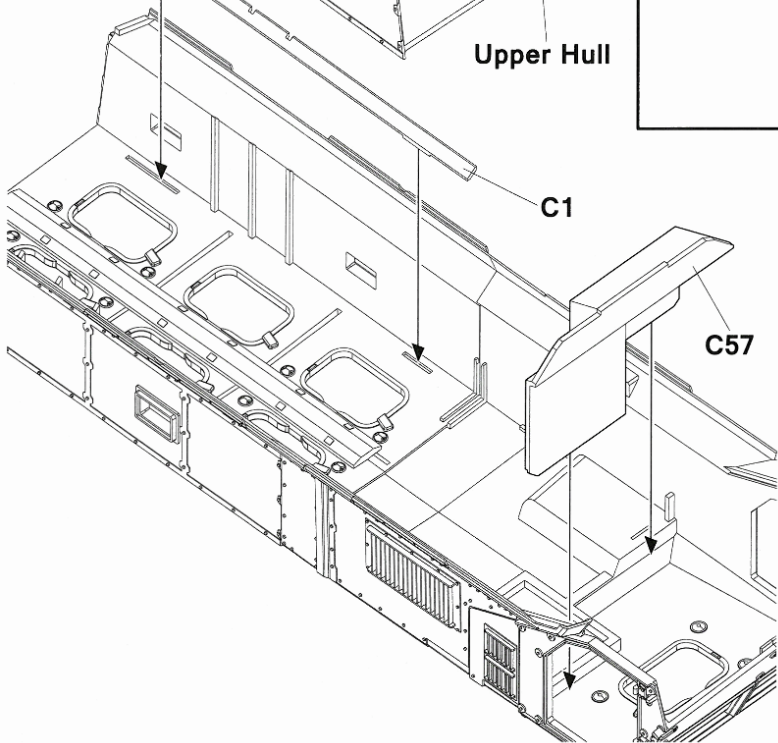
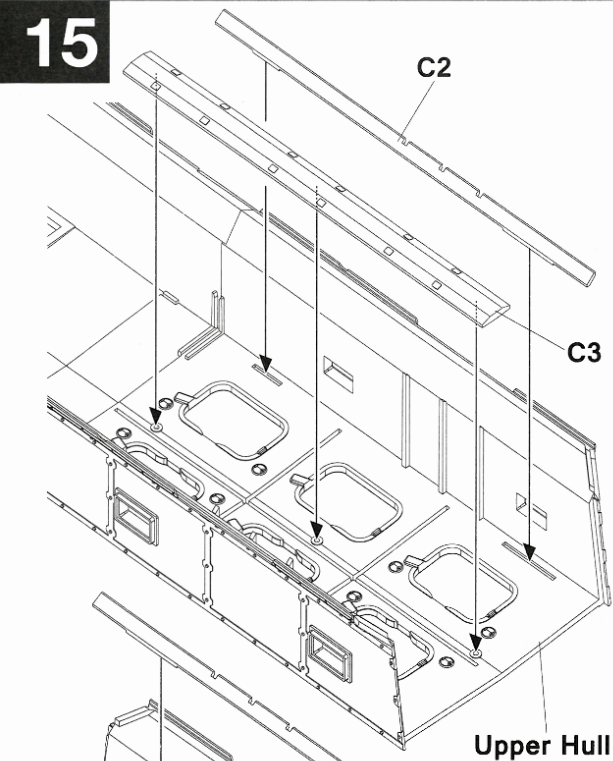
13



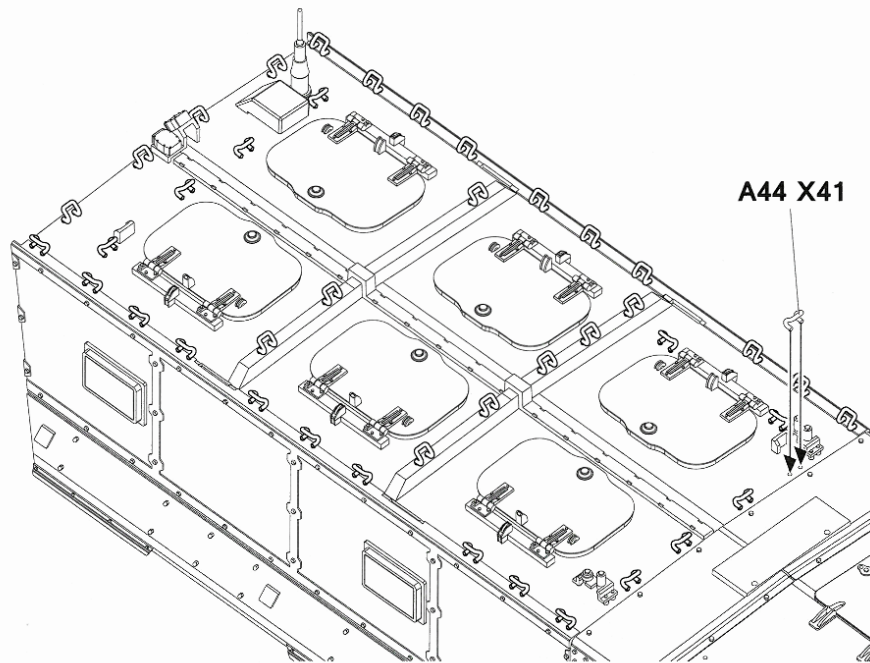
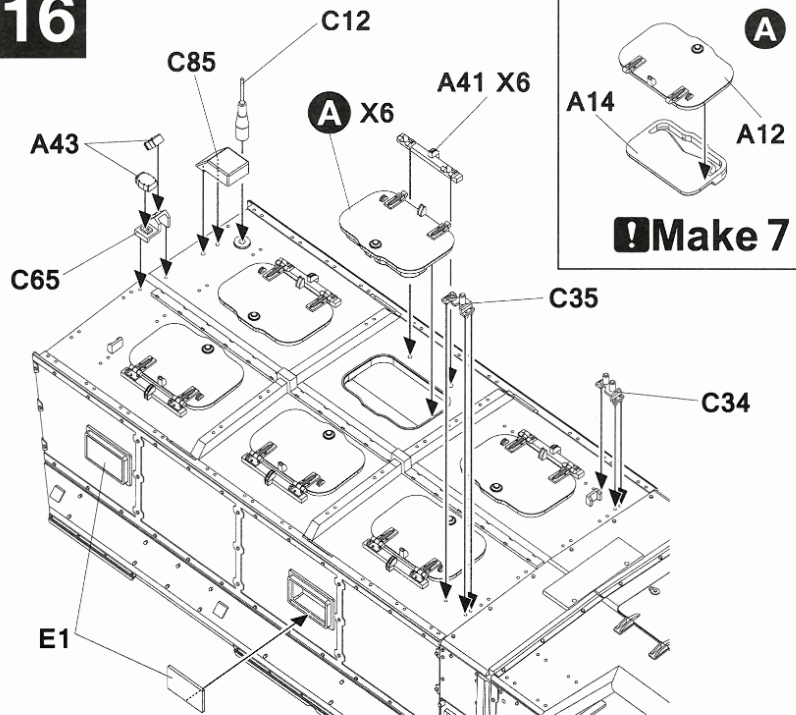
14



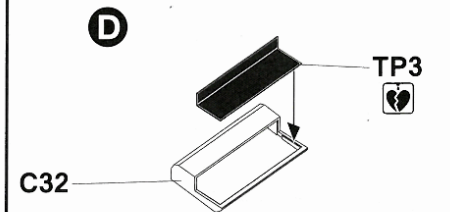
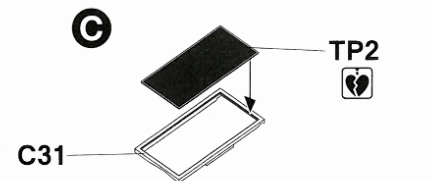
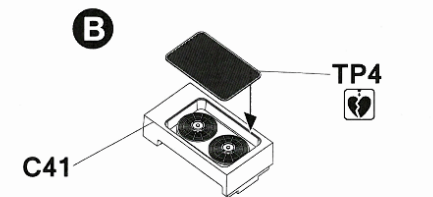
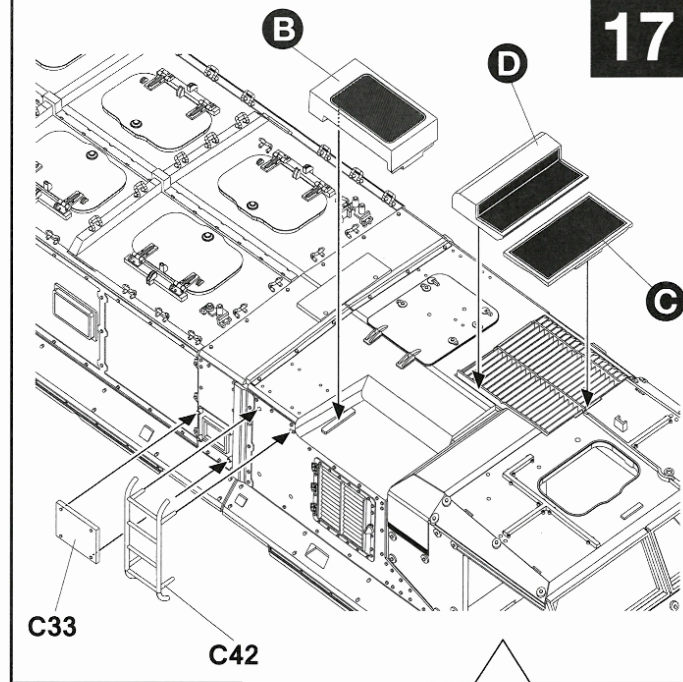
15



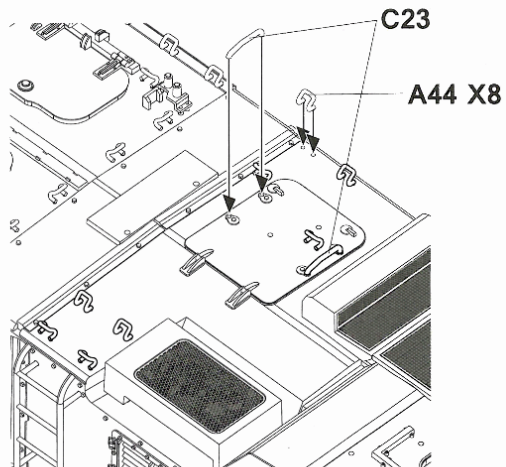
16



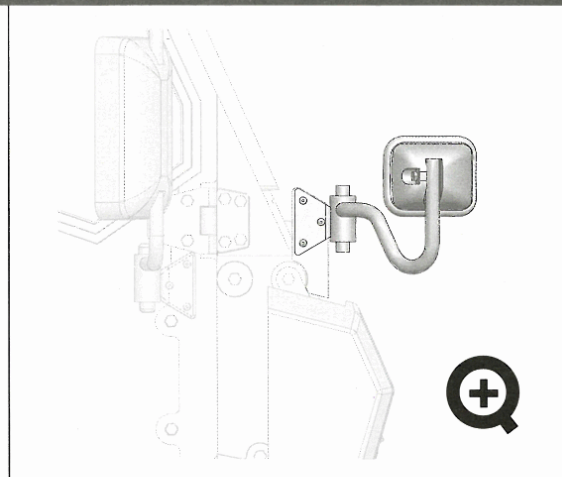
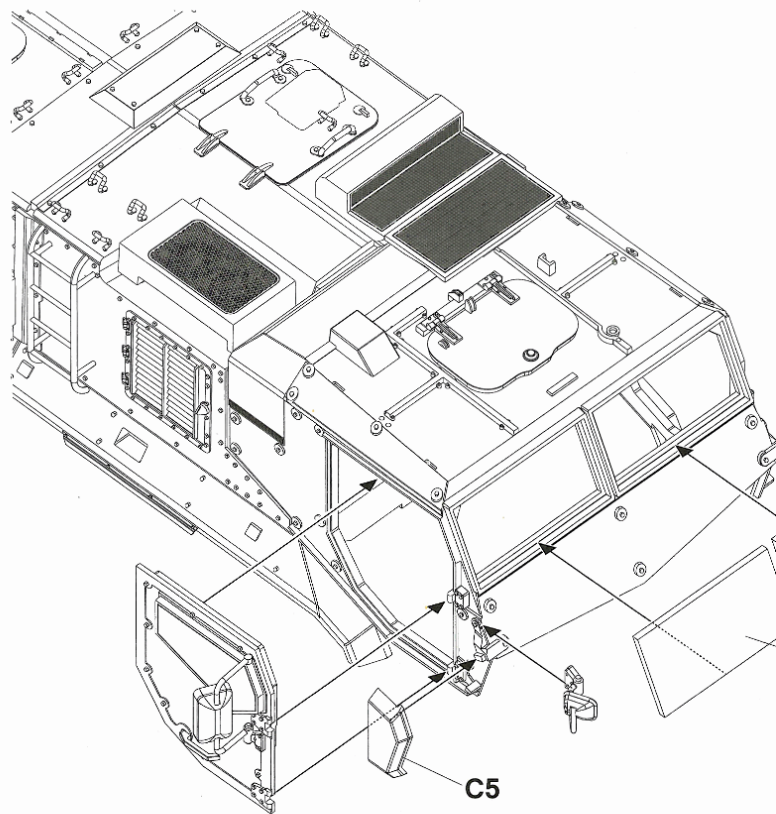
17



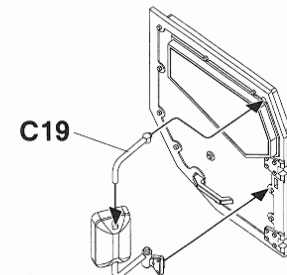
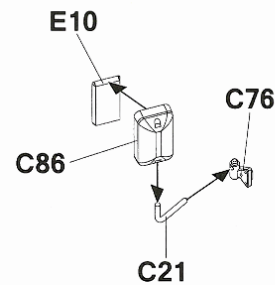
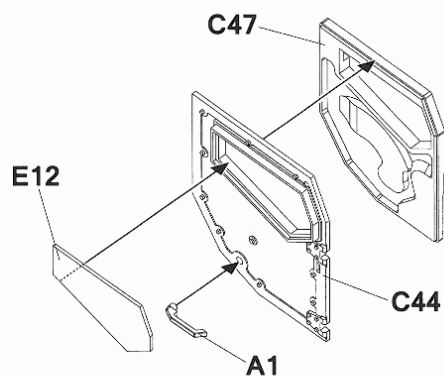
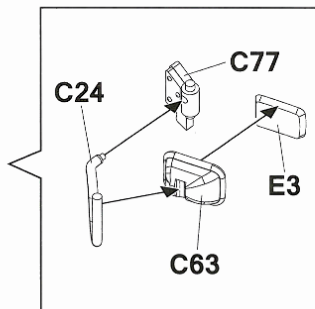
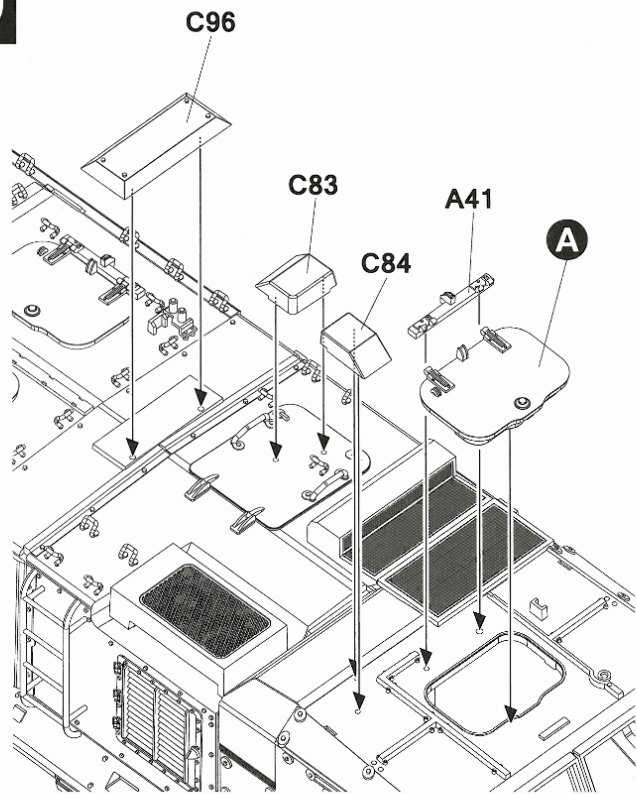
18



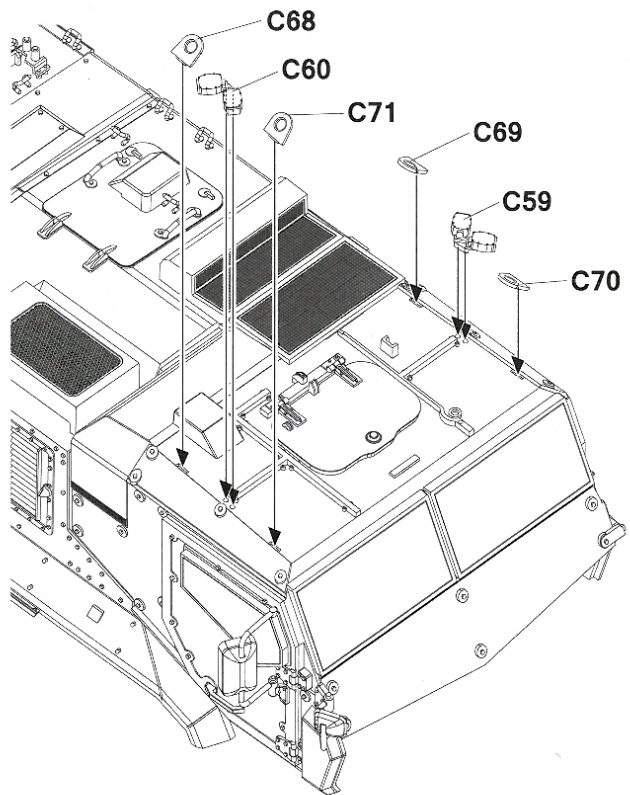
20



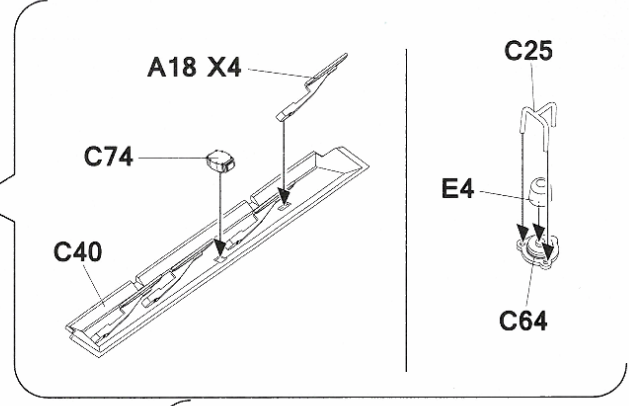
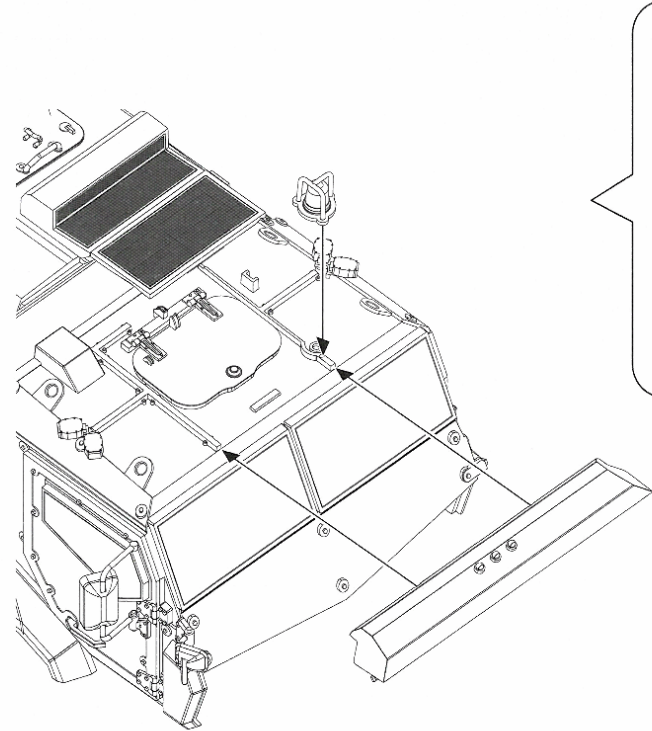
19



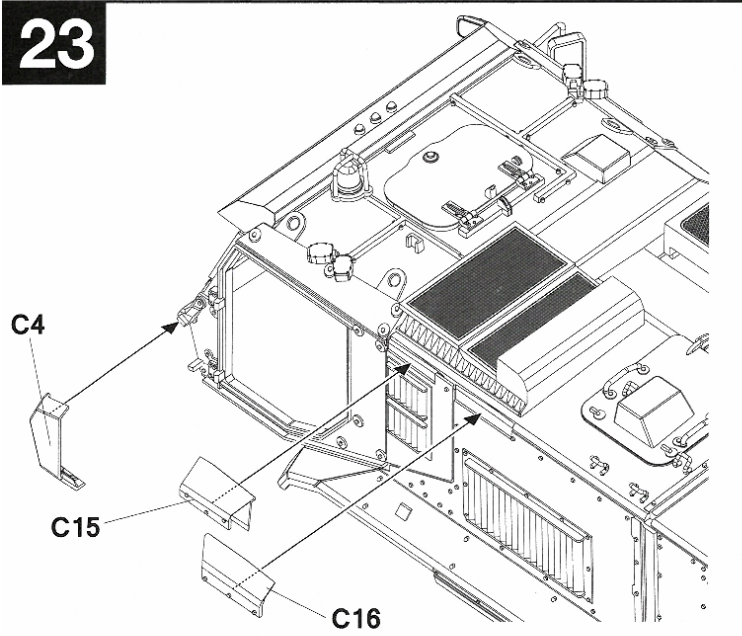
21



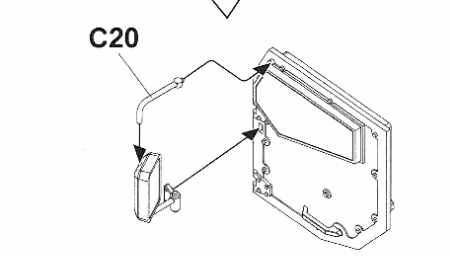
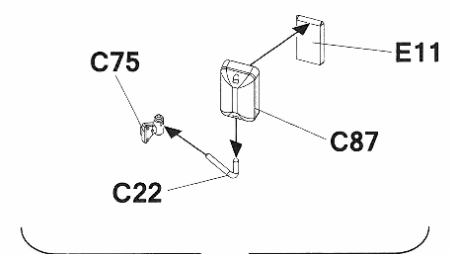
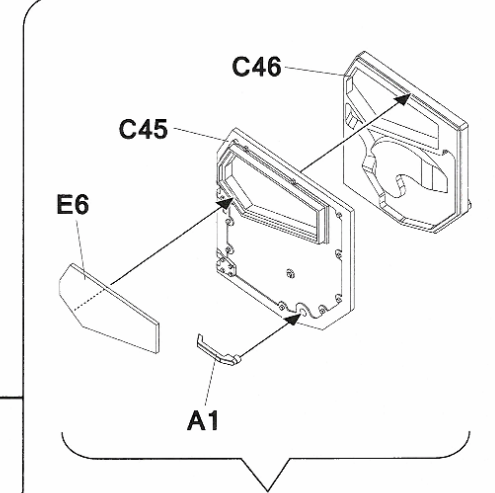
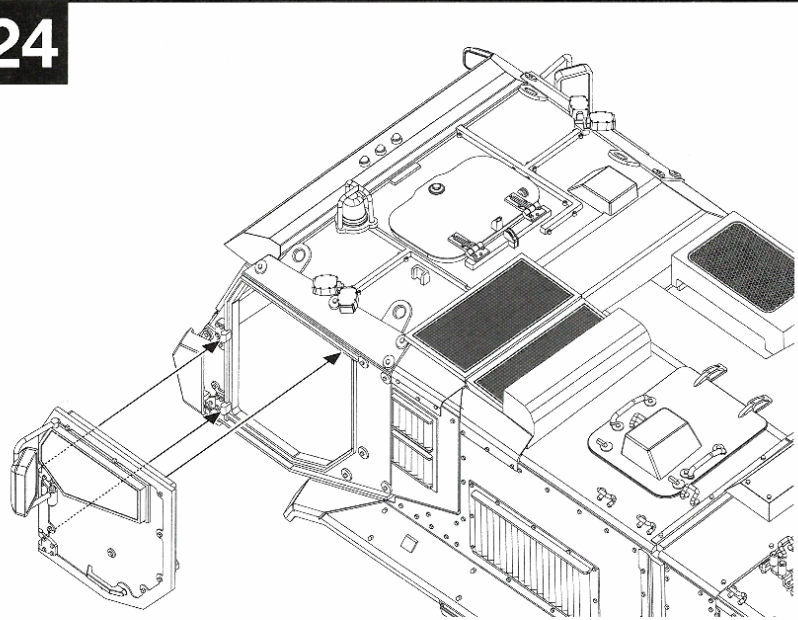
22



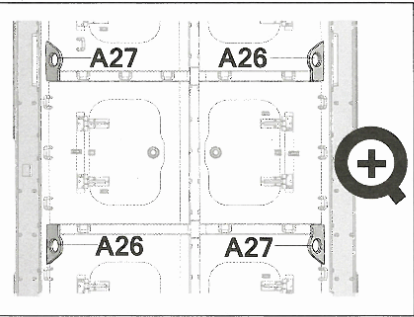
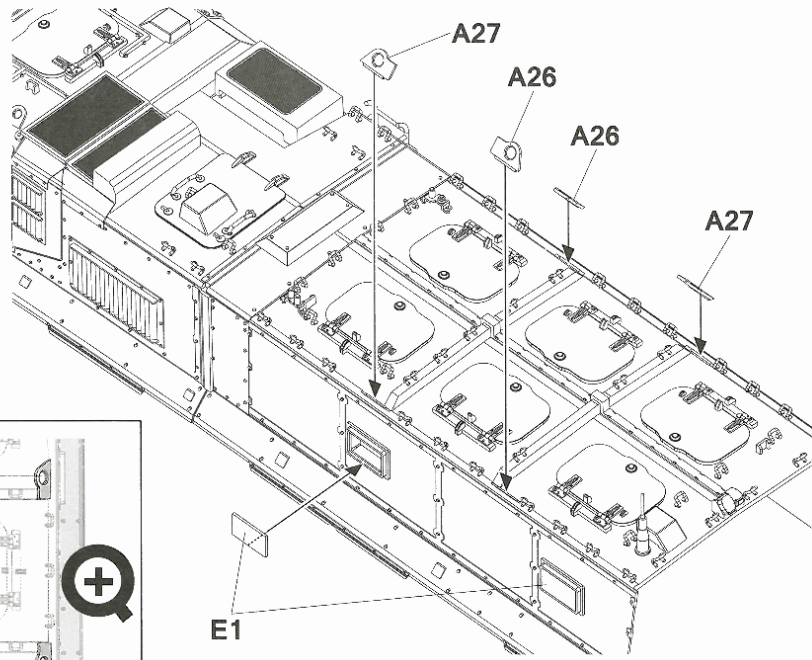
23



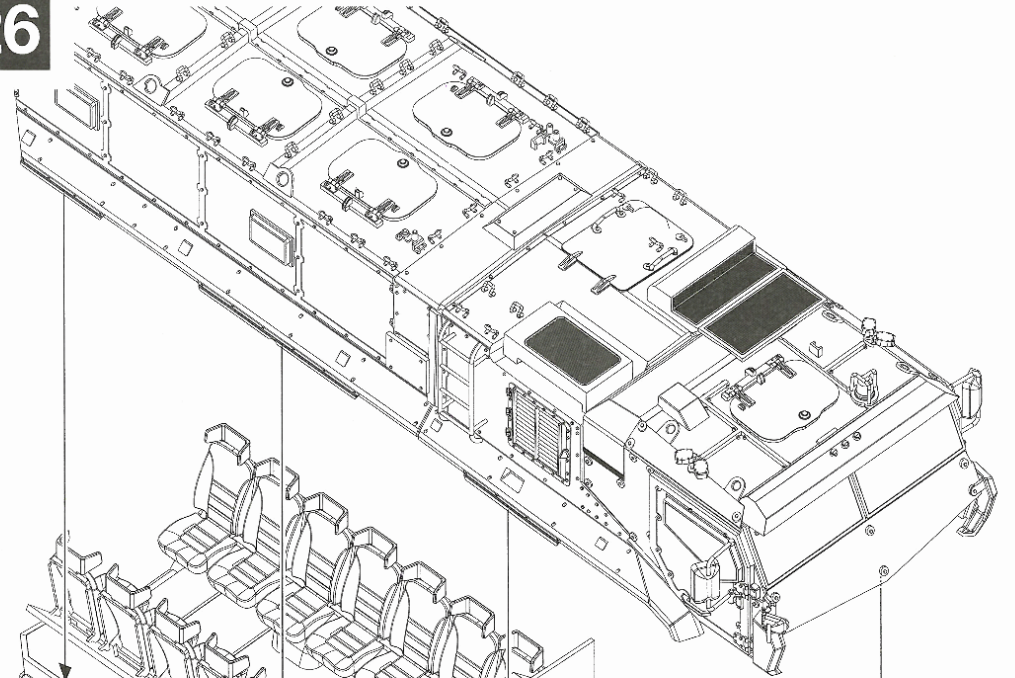
24



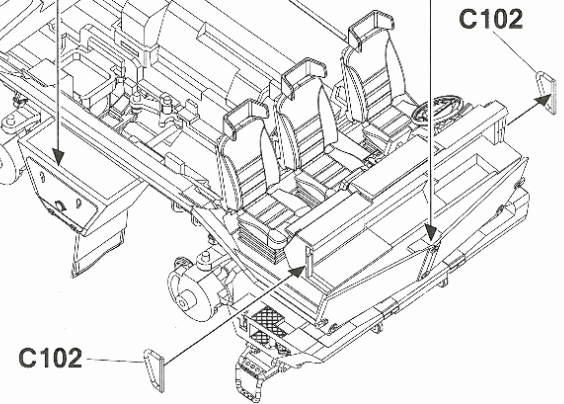
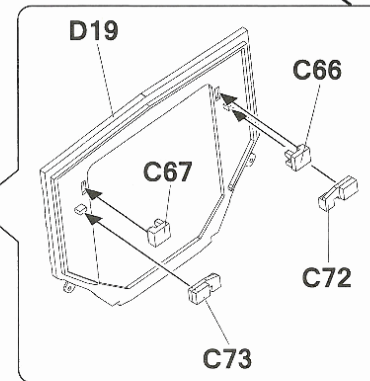
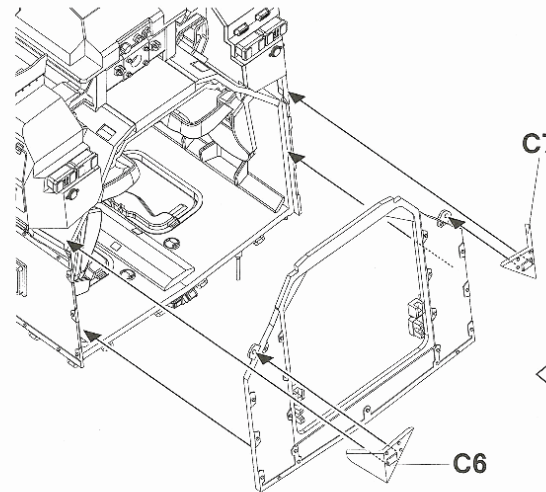
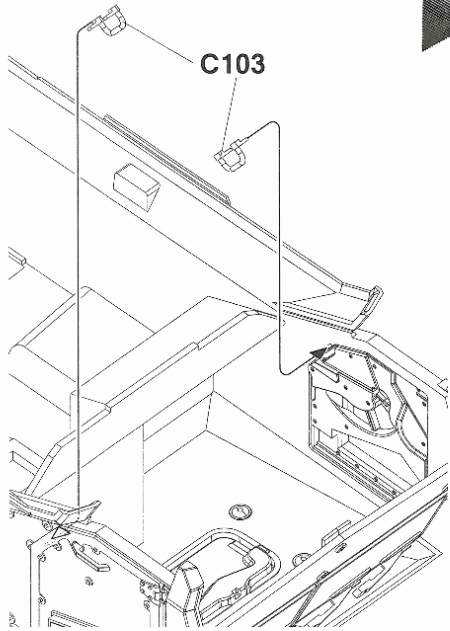
25



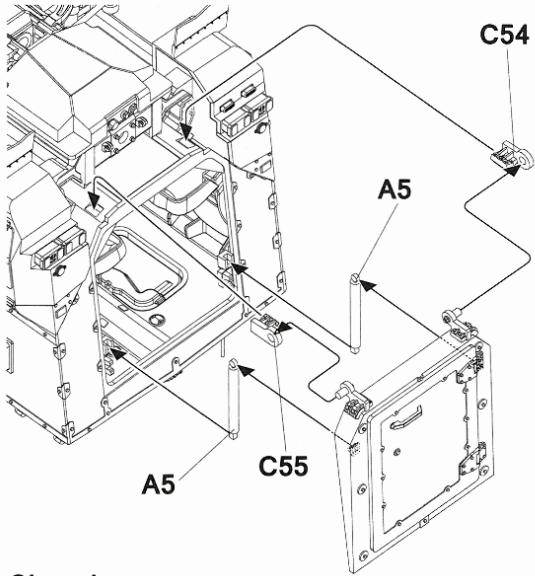
26




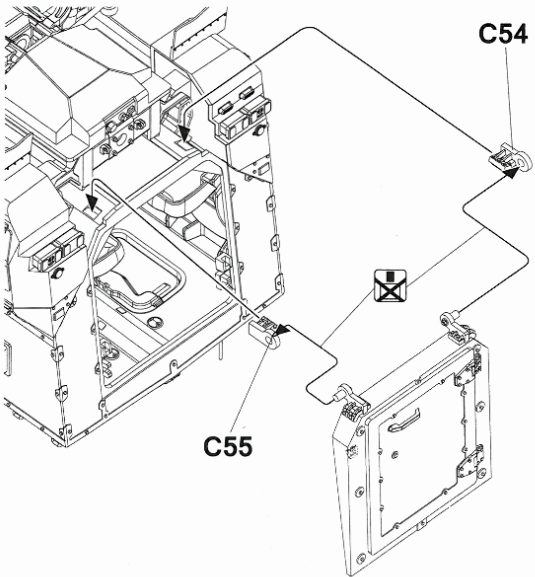
27



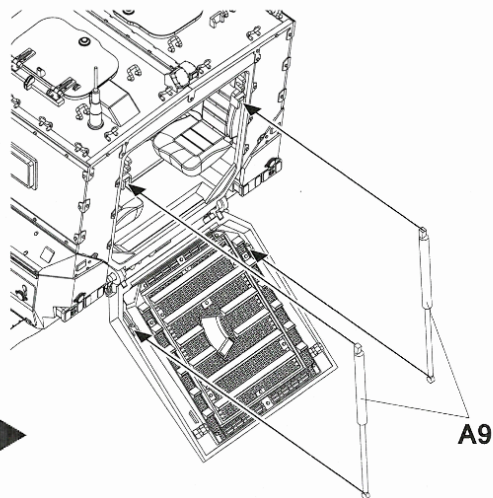
29



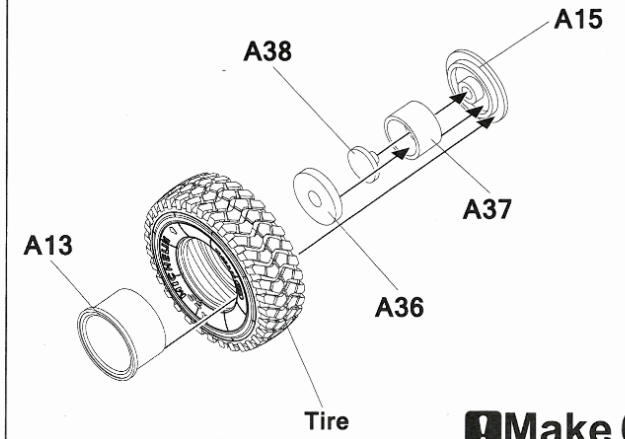
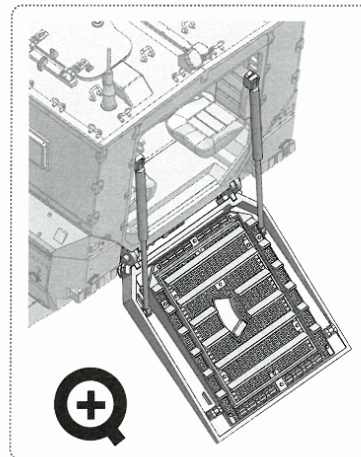
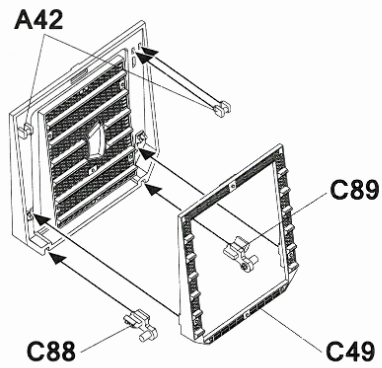
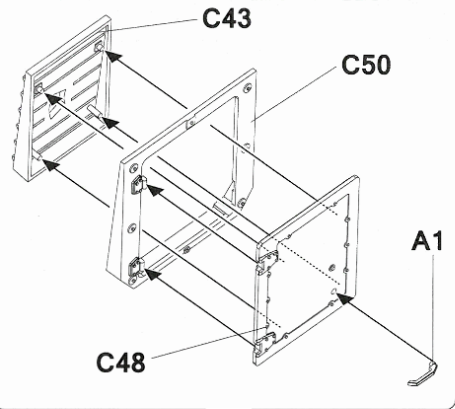
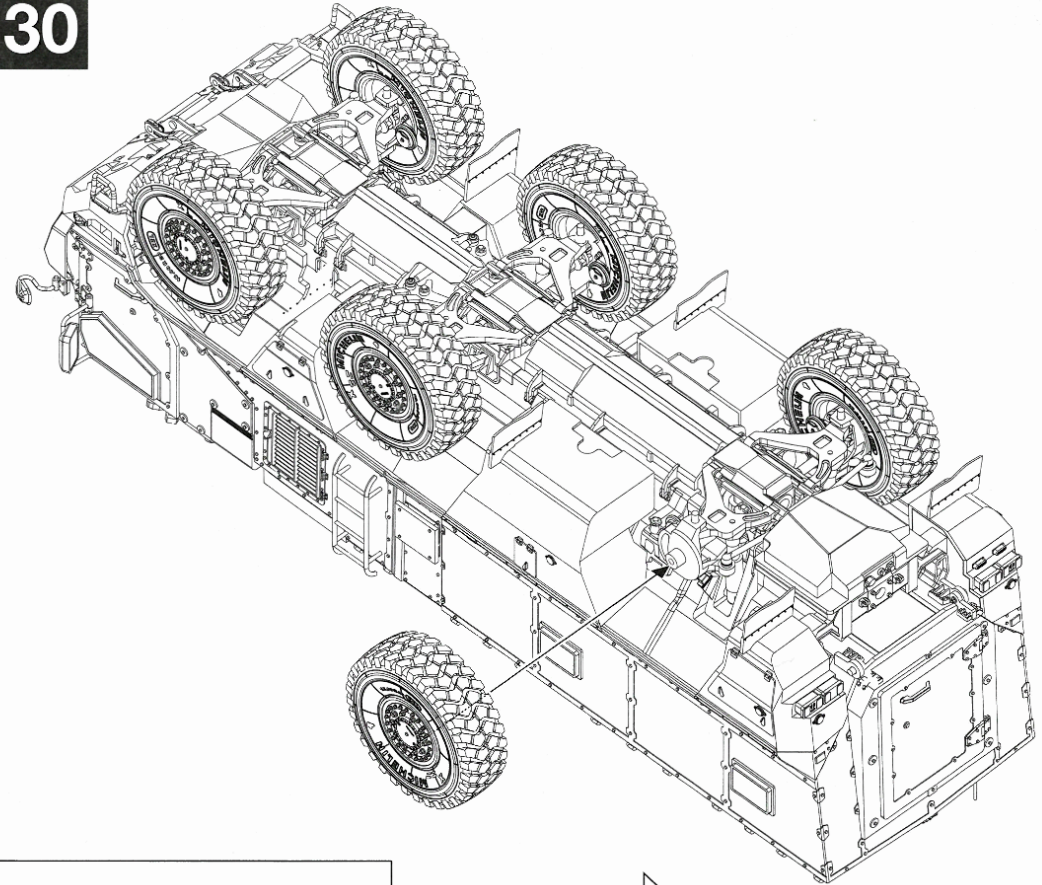
Closed

 Open



28

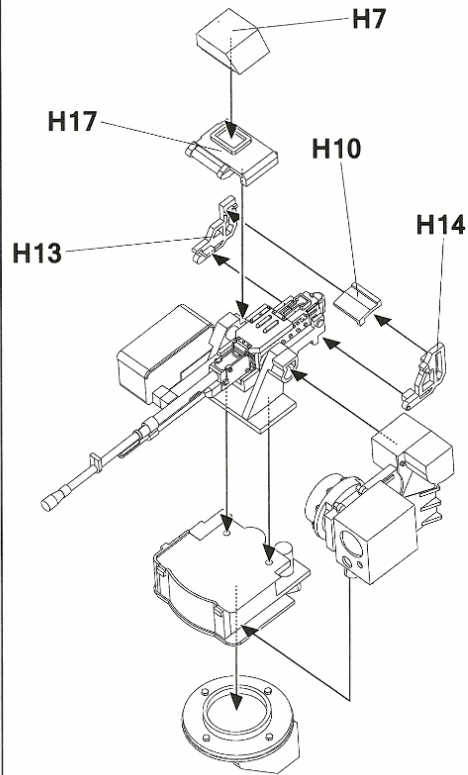
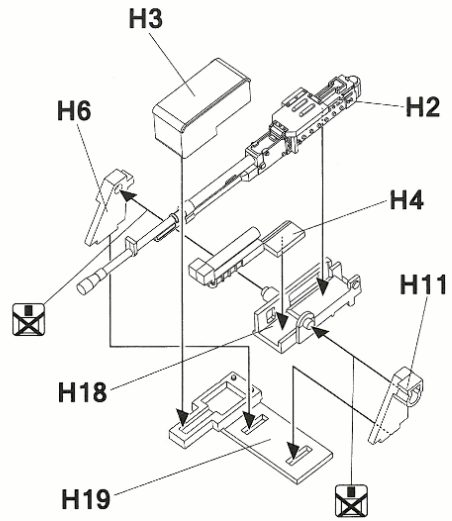
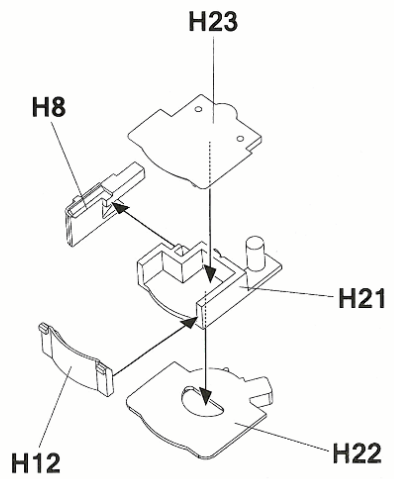
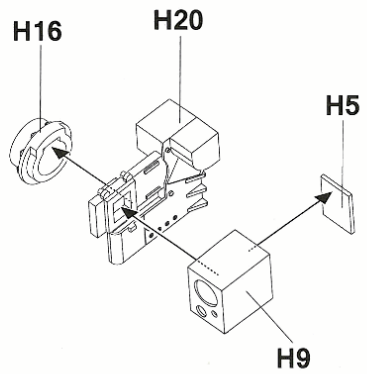
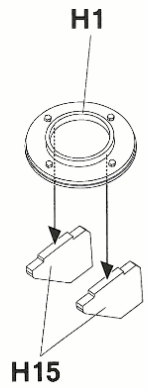


30

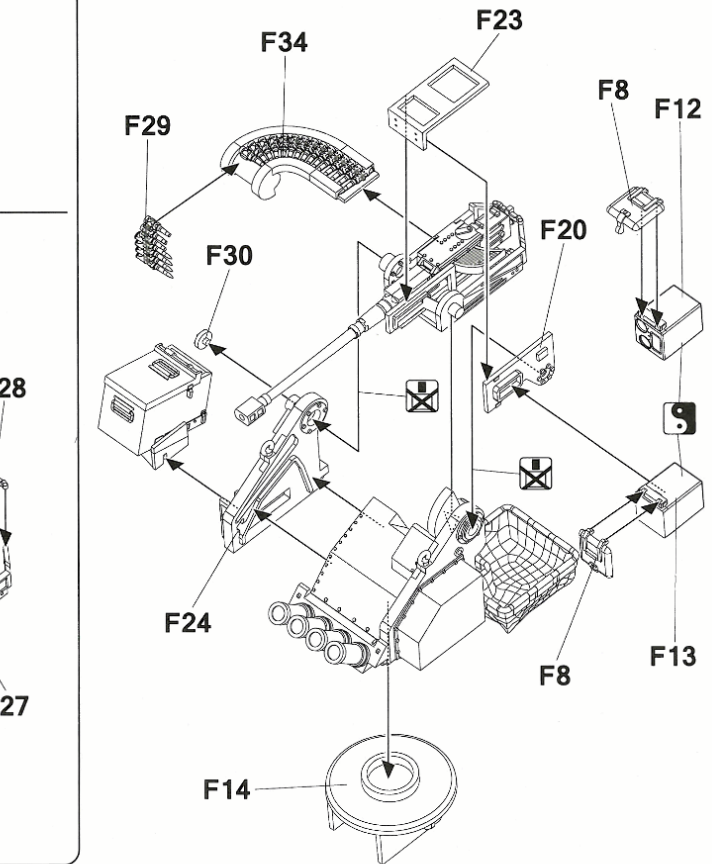
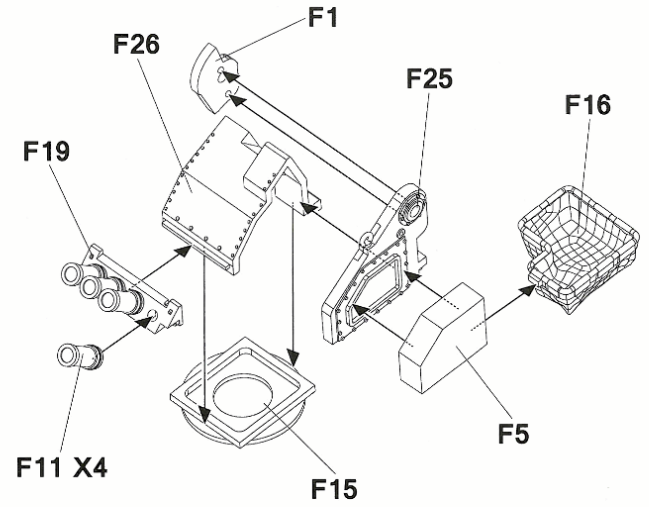
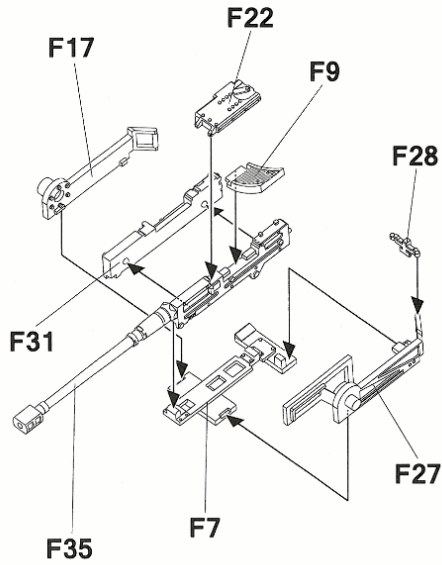
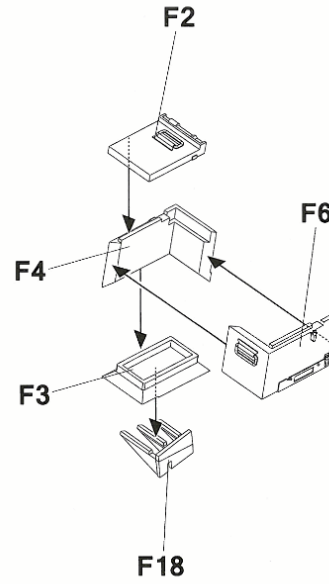


 Make 6

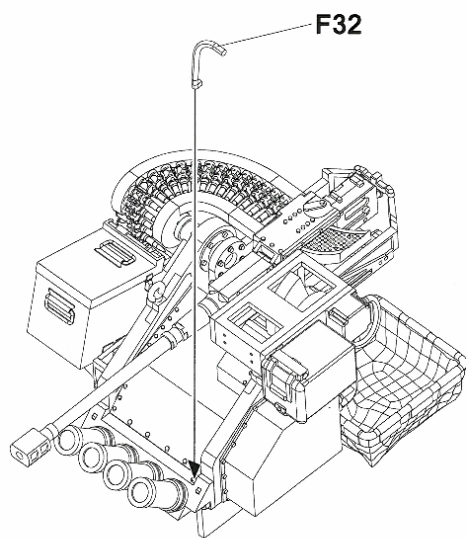
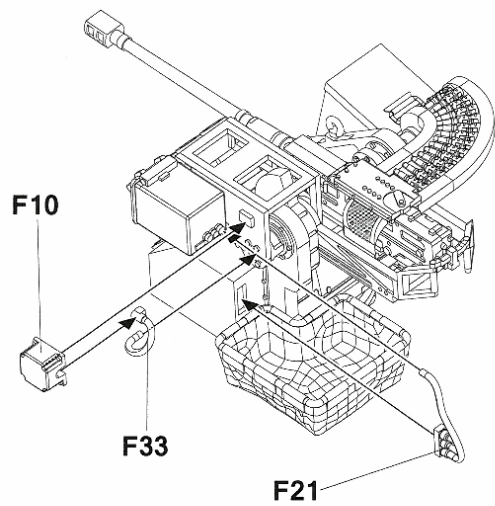
31



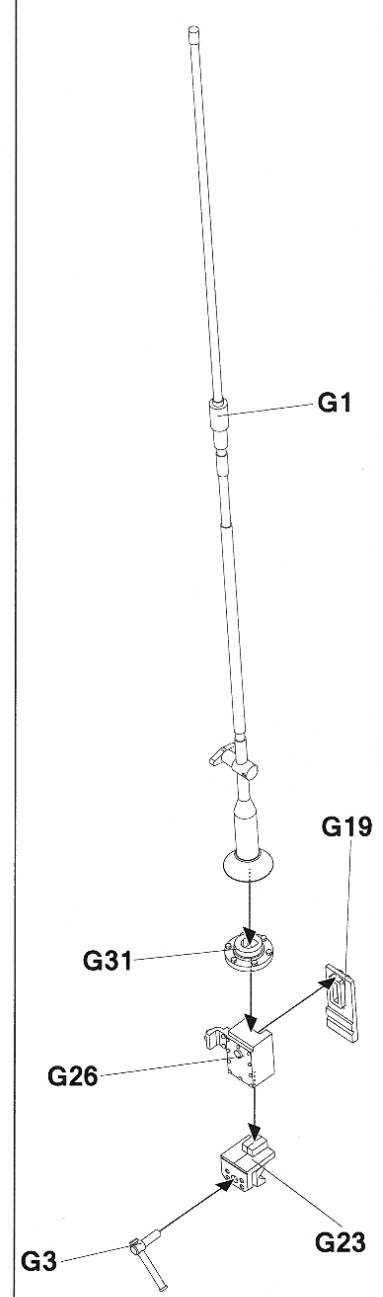
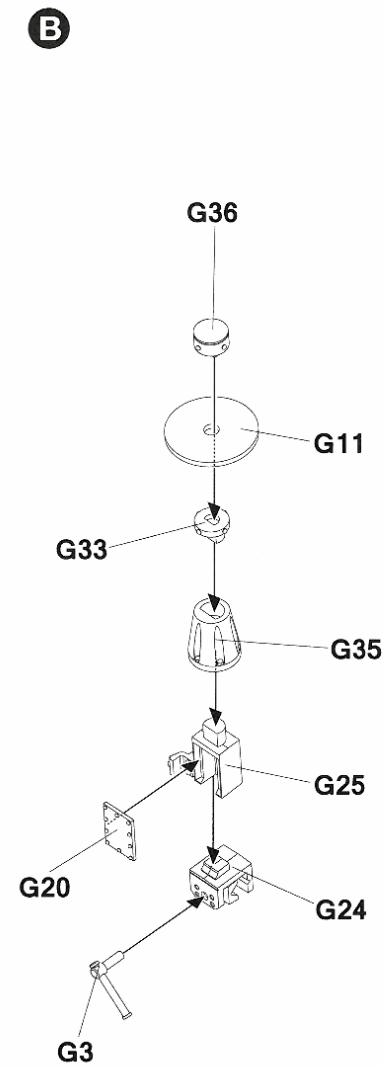
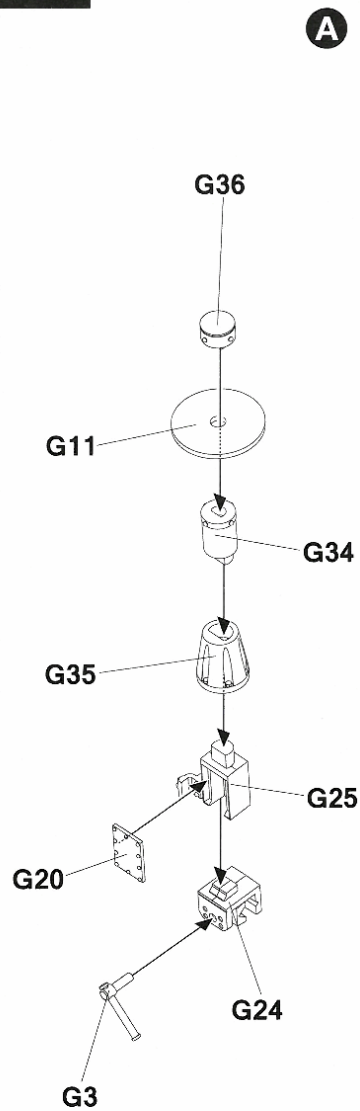
32

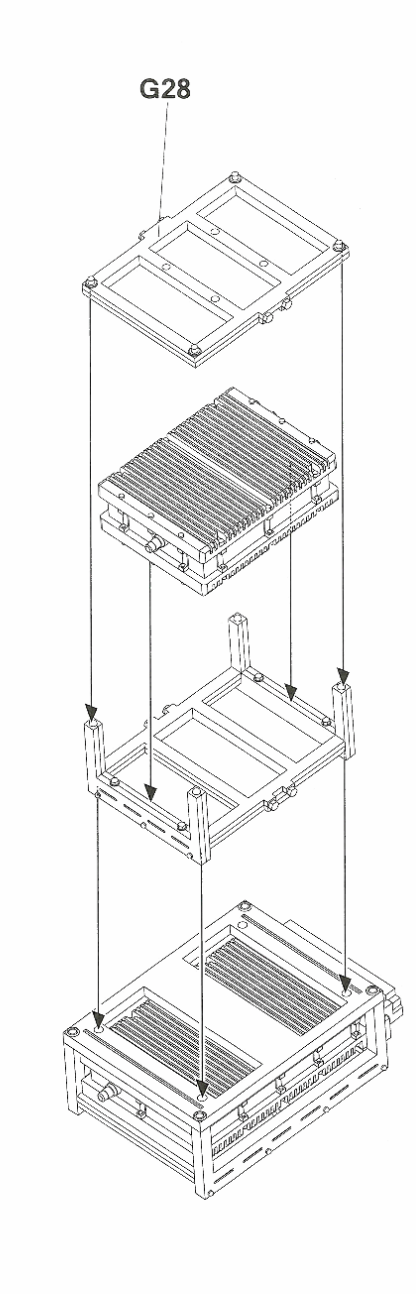
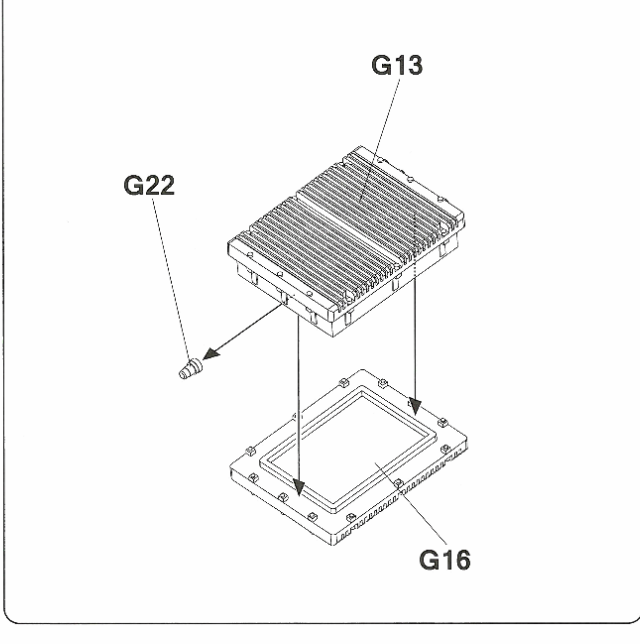
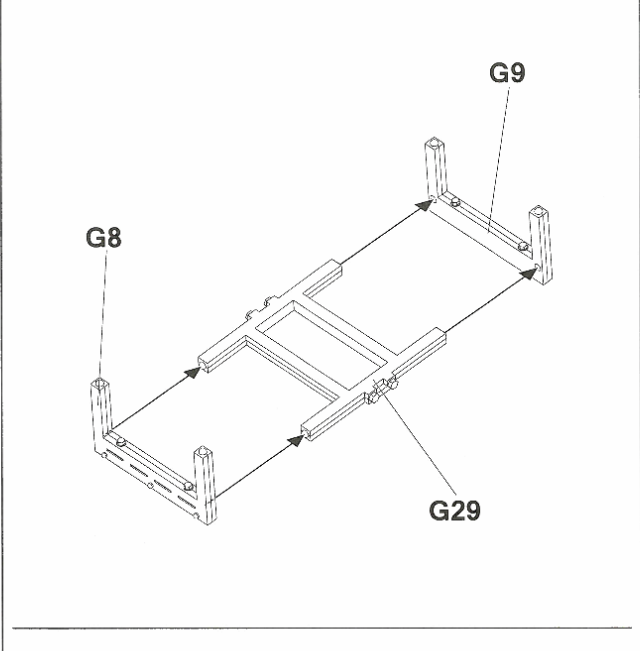
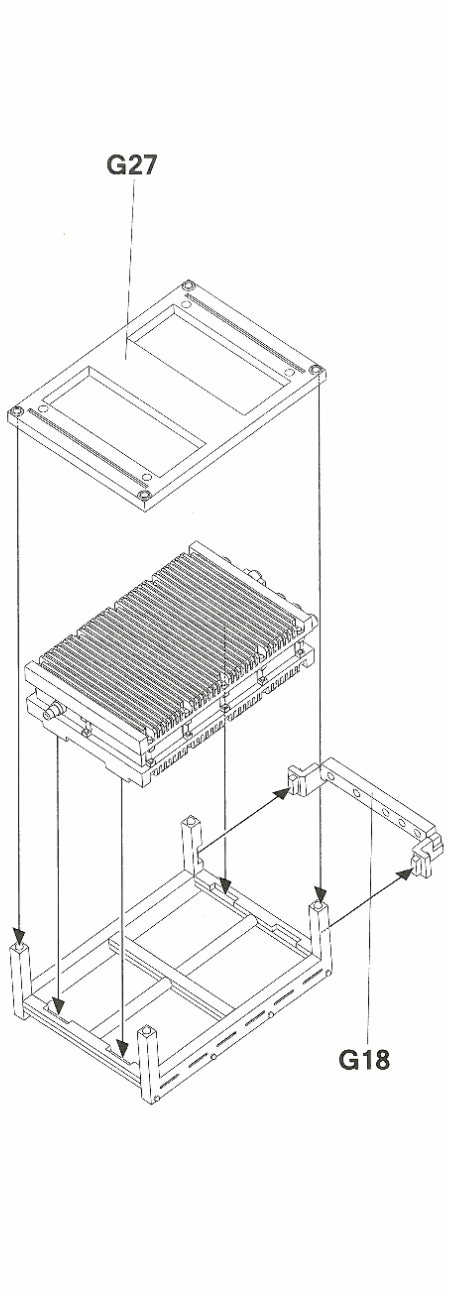
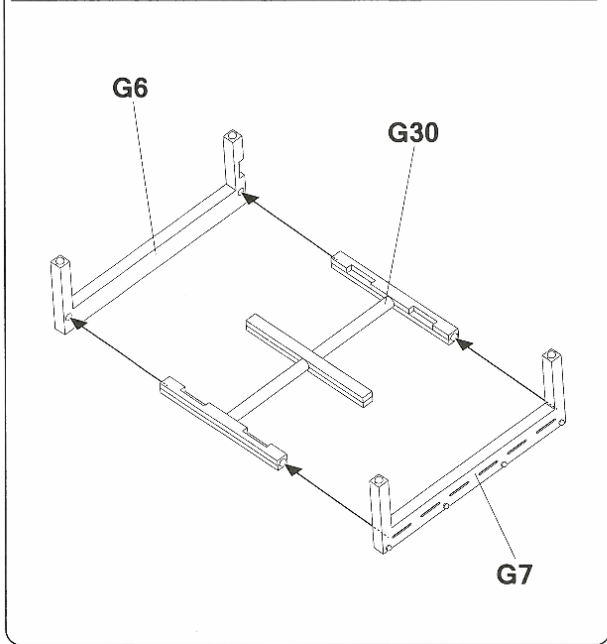
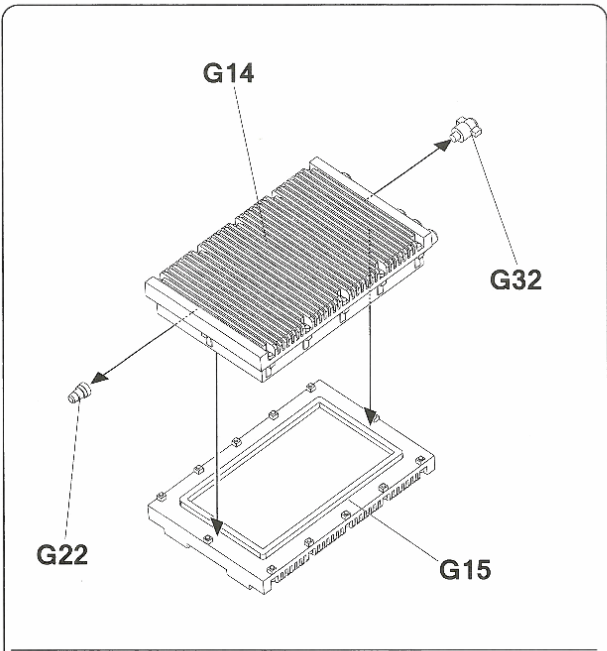


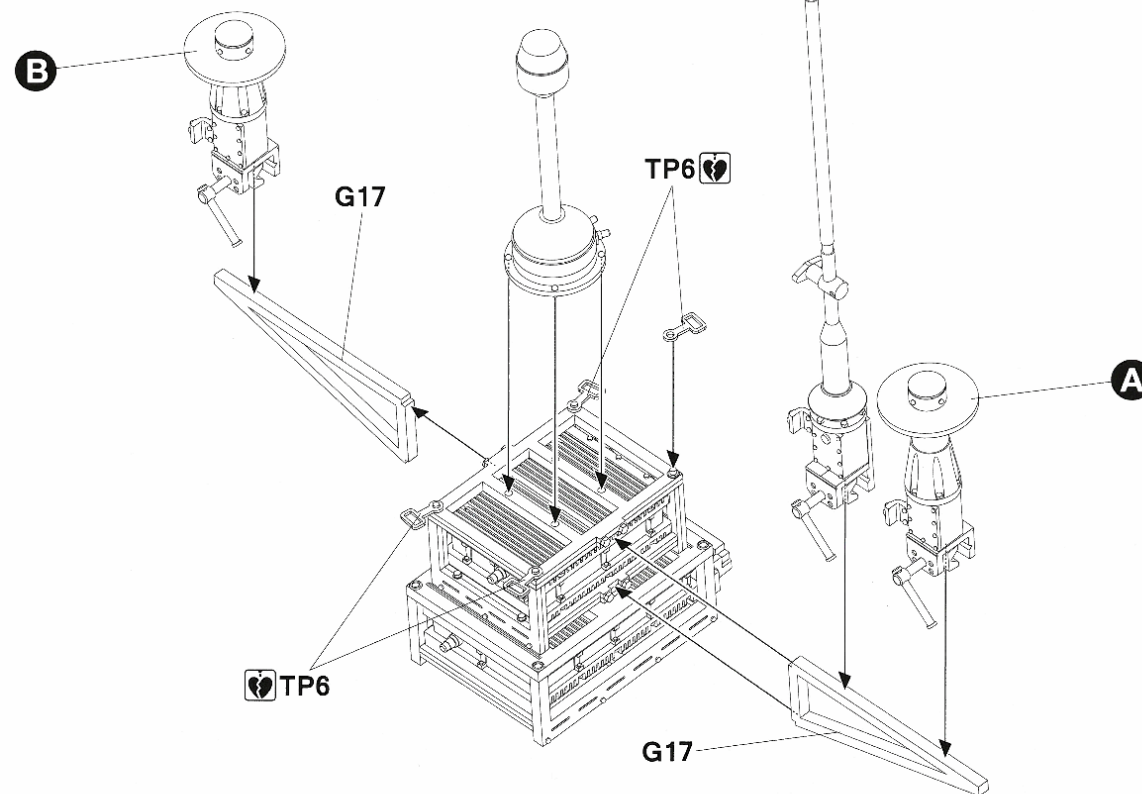
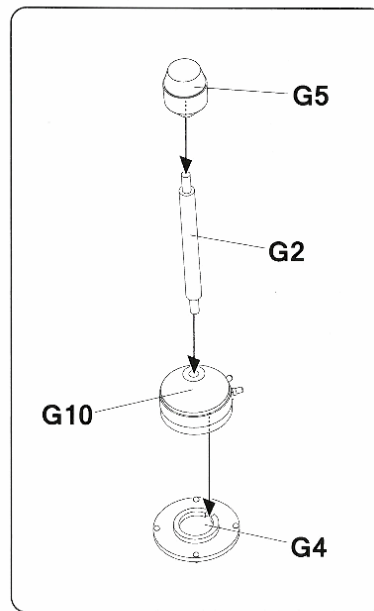
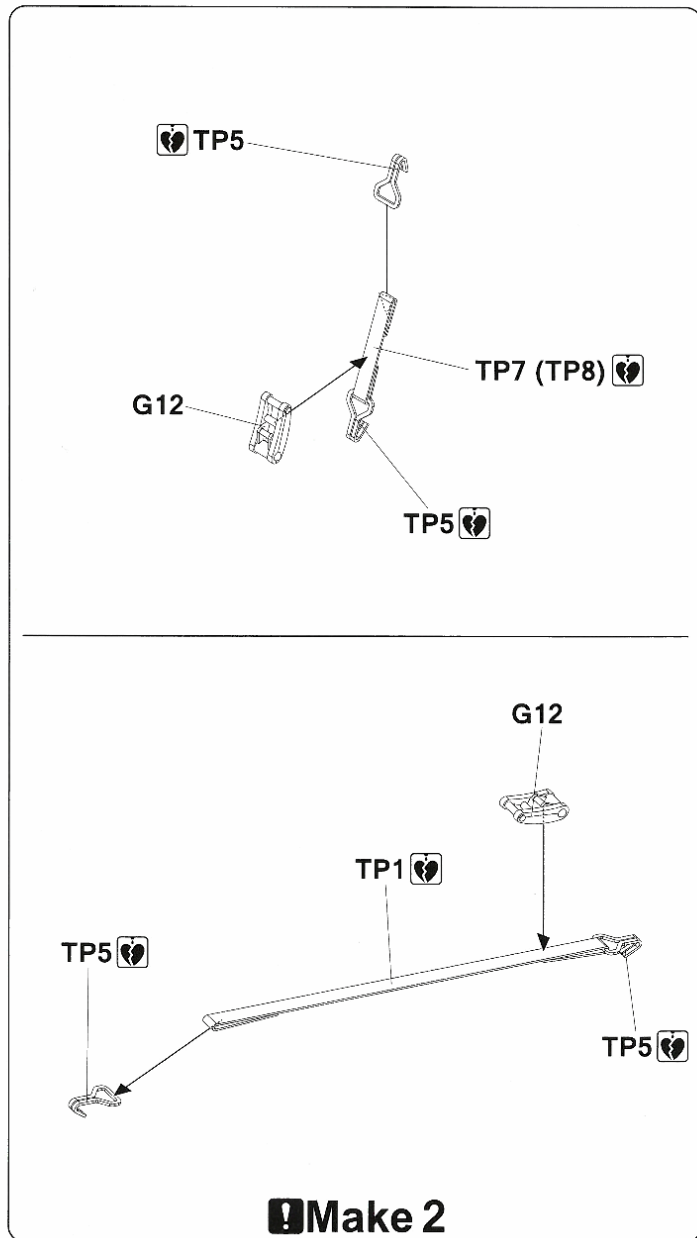
33

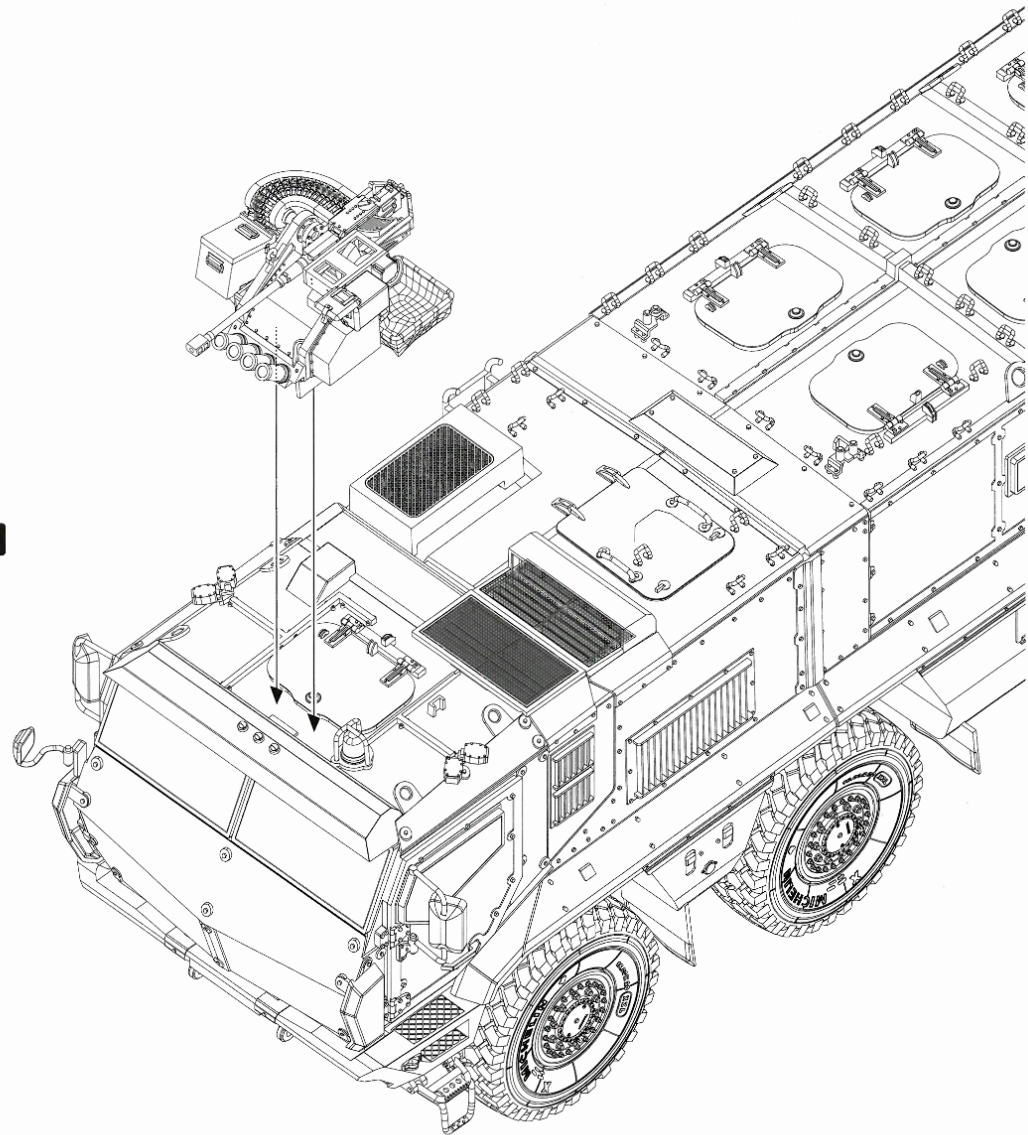
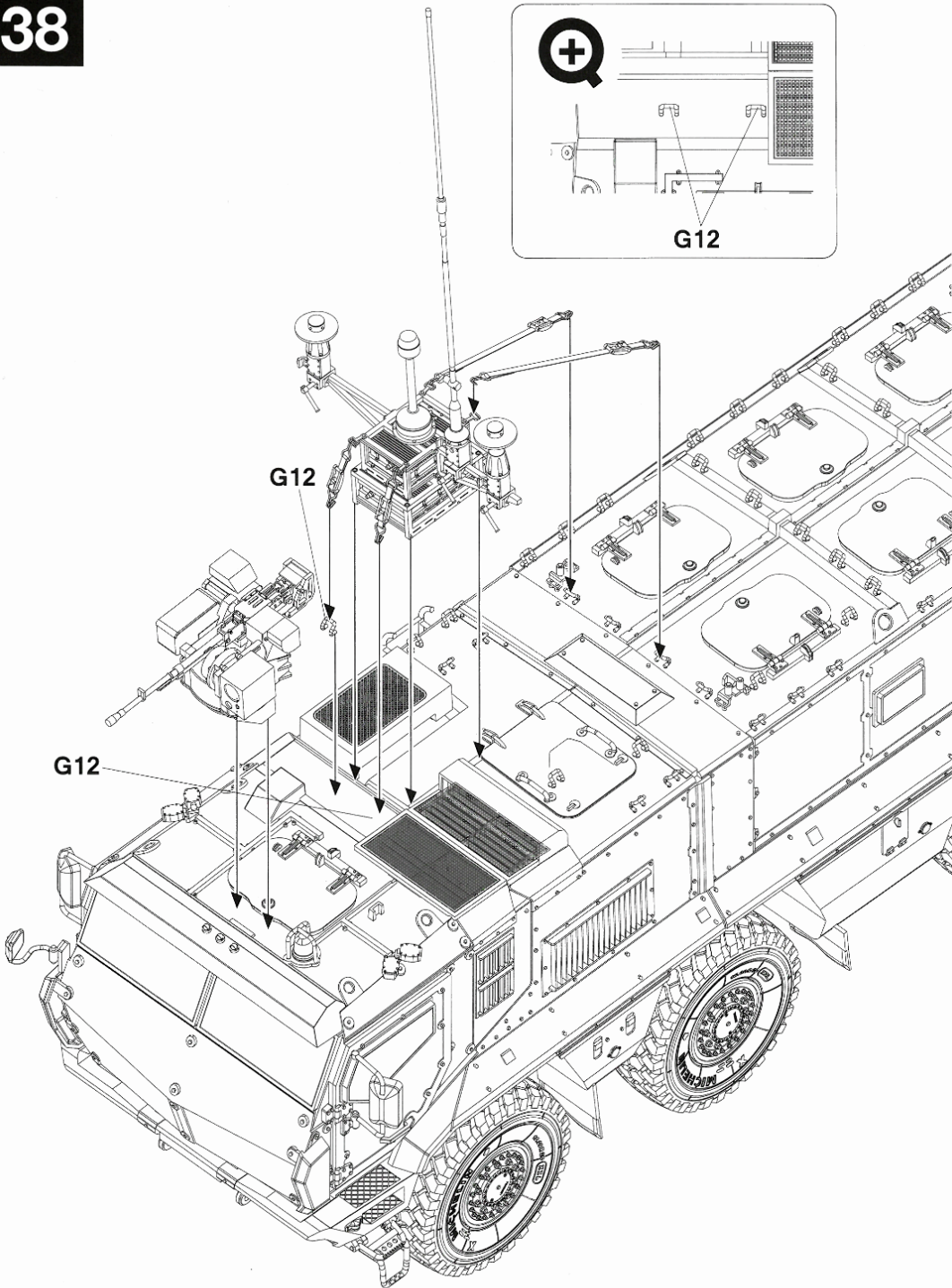
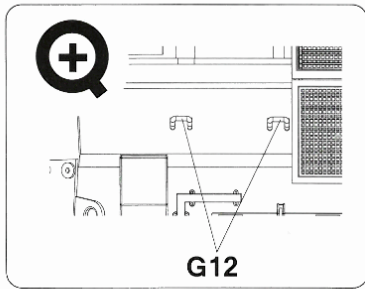


34







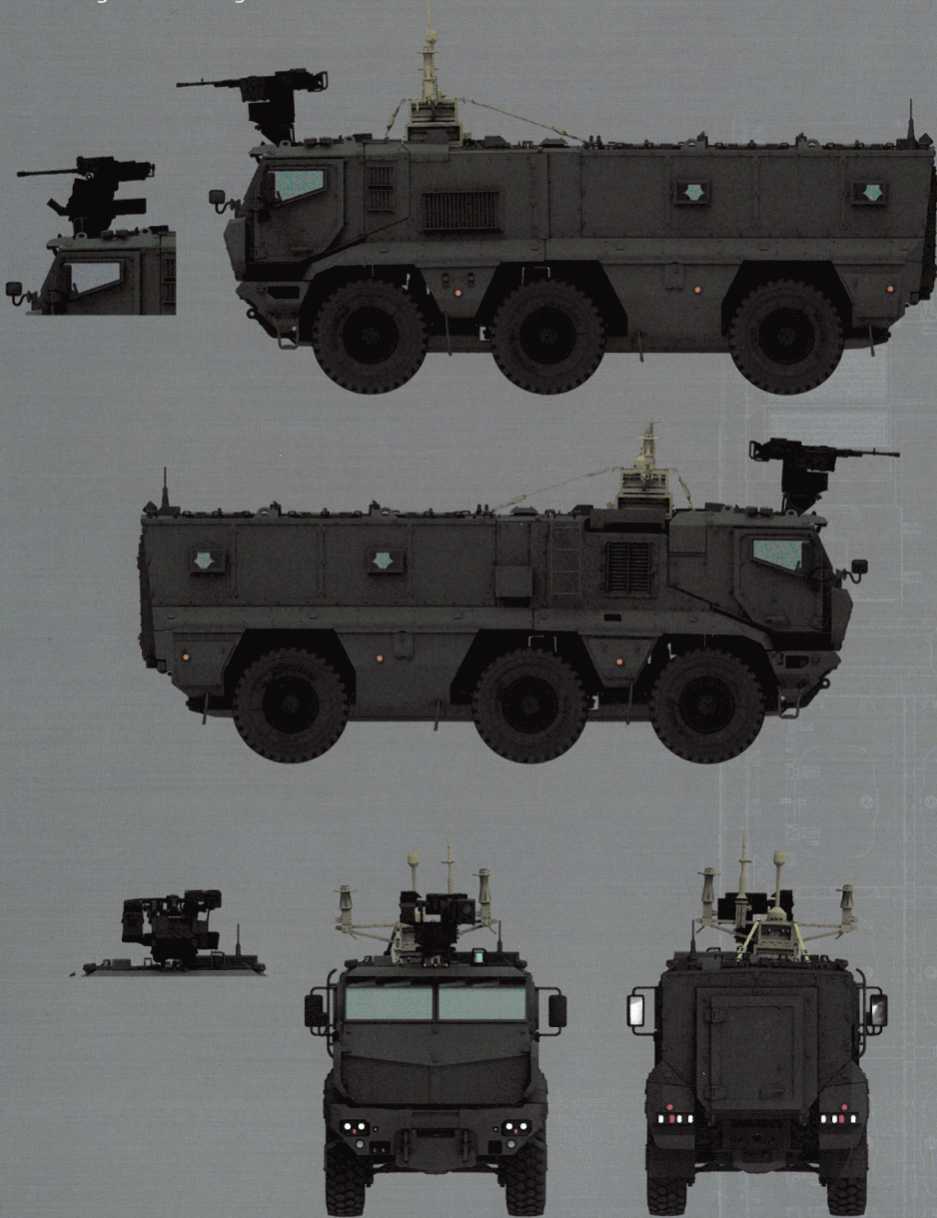


03.03.2173



KAMAZ Typhoon-K

Painting and Marking Guide



M103 A2

- A. HATCHES CAN BE BUILT IN OPEN OR CLOSED POSITION
- A. SUSPENSION AND ROAD WHEELS MOVABLE
- A. DETAILED STATIC DISPLAY PLASTIC MODEL
- A. METAL BARREL INCLUDED
- A. CLEAR PARTS INCLUDED
- A. 4 TYPES OF MARKINGS
- A. FIGURE NOT INCLUDED
- A. WORKABLE TRACKS

JASON 2023

TAKOM

1/35 No. 2140

A. THIS IS NOT A TOY - A. CEMENT AND PAINT NOT INCLUDED - A. INTENDED FOR COLLECTORS OF AGE 14 AND ABOVE - A. READY TO ASSEMBLE - A. MODEL MAY VARY FROM IMAGE ON BOX

M48 A5

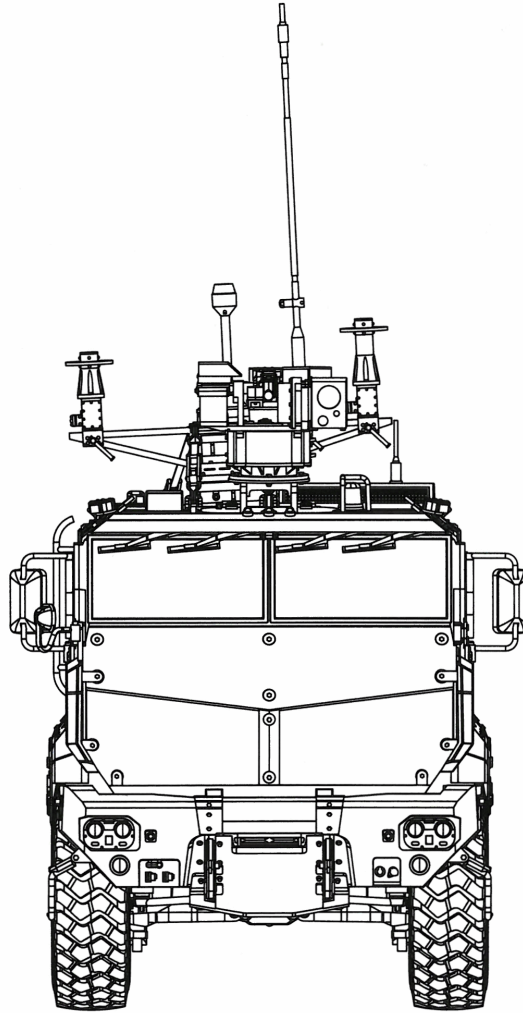
- A. ALL HATCHES CAN BE BUILT IN OPEN OR CLOSED POSITION
- A. SUSPENSION AND ROAD WHEELS MOVABLE
- A. DETAILED STATIC DISPLAY PLASTIC MODEL
- A. 4 TYPES OF MARKINGS
- A. PE PARTS INCLUDED
- A. WORKABLE TRACKS

JASON 2022

TAKOM

1/35 No. 2161

A. THIS IS NOT A TOY - A. CEMENT AND PAINT NOT INCLUDED - A. INTENDED FOR COLLECTORS OF AGE 14 AND ABOVE - A. READY TO ASSEMBLE - A. MODEL MAY VARY FROM IMAGE ON BOX



You can find TAKOM on Facebook.com