

**A
M
T**

®

1941 Ford Woody Stock

30051

ERTL

®



Form No. 099 - 30051

IMPORTANT

Before you begin: Carefully study and understand the entire instruction sheet. Compare the parts in the box to the instruction sheet to be sure you have received all the parts required. Carefully remove parts from trees. Before cementing, "TEST FIT" parts together to insure proper location and alignment. Scrape paint and plating from surfaces to be cemented. Subassemblies and components should be painted before any parts are attached. Use only cement and paint made for styrene plastic. **Painting:** Wash parts thoroughly with mild soap and water. Parting lines, glue joints, and sharp edges should be sanded or filled with filler putty

designed for plastic. Apply a "primer" coat and allow to dry. Check part for imperfections and repeat the procedure if necessary. Remove any lint or dust. Apply paint evenly, in several thin coats rather than one heavy coat. Allow each coat to thoroughly dry before the next is applied. Each coat should be carefully "wet sanded" using slightly damp No.1200 sandpaper. Be careful not to remove any detail while sanding. For two-tone bodies the lighter color should be painted first. Use frosted tape to mask off areas not to be painted. Remove tape after paint is dry to the touch. Use a very fine brush to touch up edges.

DECAL APPLICATION

Carefully cut out each decal as needed.

Place in warm water until the decal is movable.

Slide the decal off the backing paper and into position.

Gently remove excess water with a tissue.

SYMBOLS USED THROUGHOUT THIS SHEET

1 Assembly Sequence

23 Part Number

5 Completed Assembly

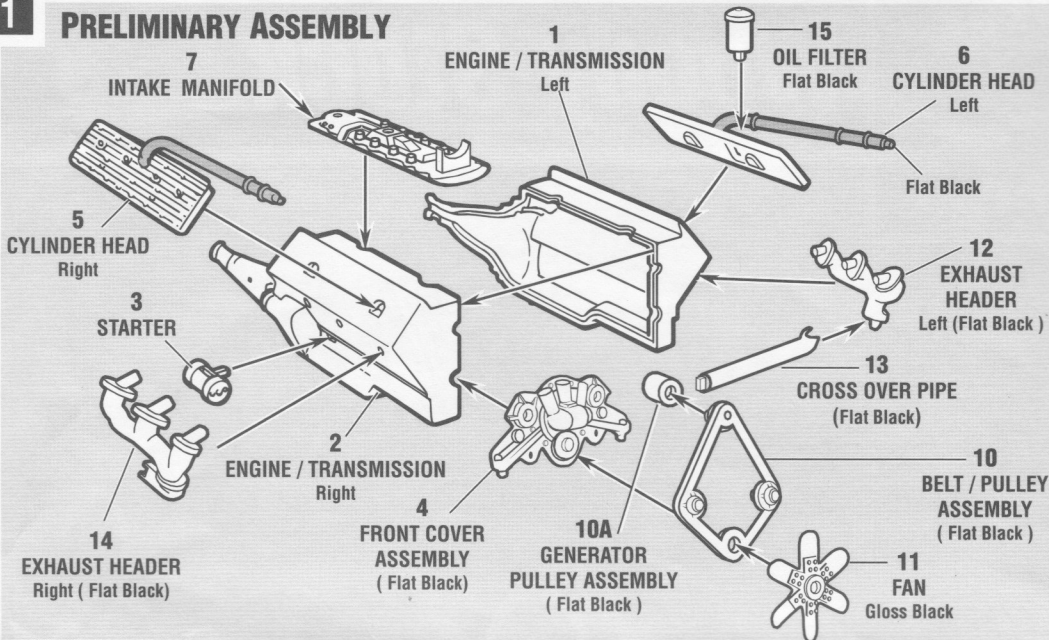
**RACING
CHAMPIONS**

Visit our website at www.rcertl.com

ENGINE ASSEMBLY

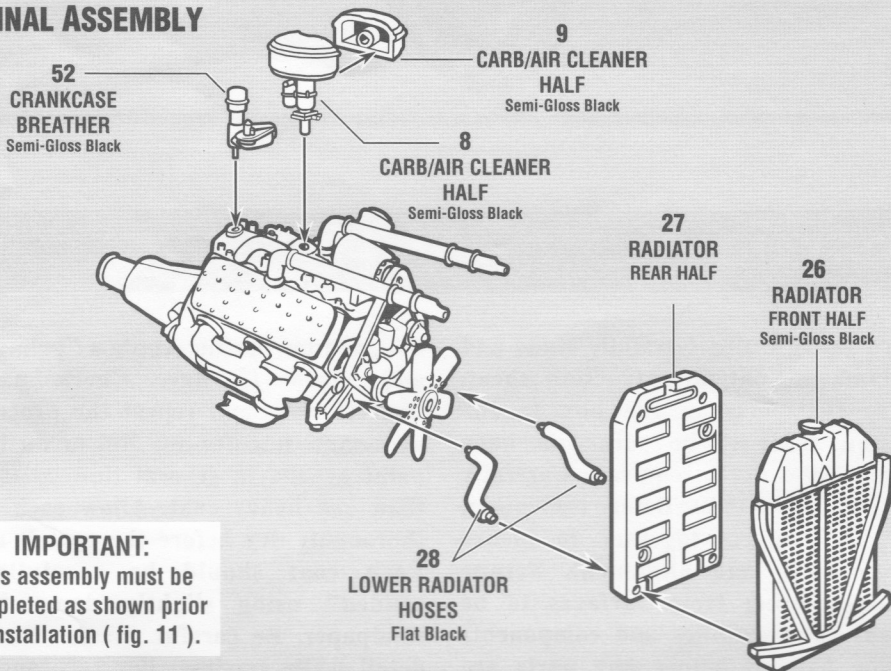
1

PRELIMINARY ASSEMBLY



2

FINAL ASSEMBLY



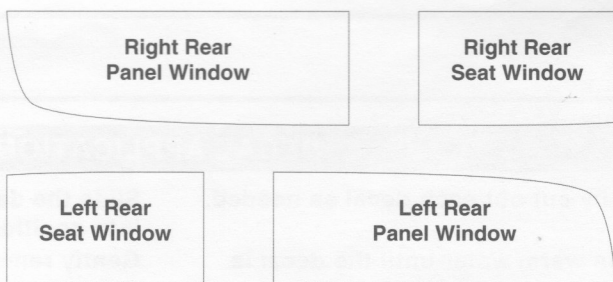
IMPORTANT:
This assembly must be completed as shown prior to installation (fig. 11).

3

IMPORTANT

Cut out this template and paste or tape to the 3.5 x 2 inch piece of clear plastic that is included with your model. Carefully cut out each "window" along the dotted lines. Test fit the windows in place. Remove excess material if needed. We suggest using any common white glue to cement clear parts in place because it will dry clear and not damage the plastic.

REAR GLASS TEMPLATE



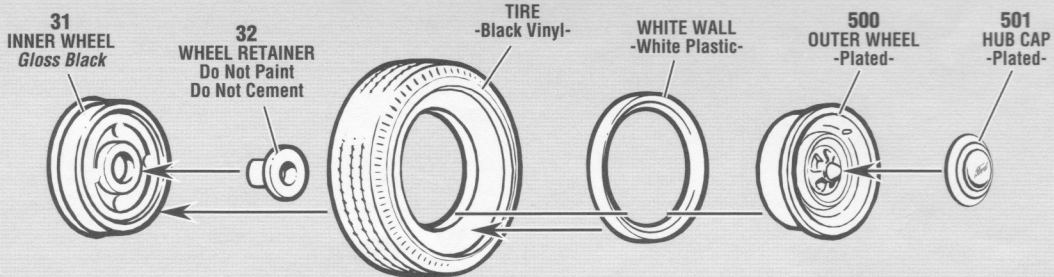
REMOVE PROTECTIVE PAPER JUST PRIOR TO USE [Fig. 16]

PAINTING: Interior colors

The interior of your '41 Woody Street Rod may be painted any combination of colors you choose. Available colors for the stock '41 Woody were Dark Brown, Coral, Red and turquoise. The primary accent color for these variations was White. Also available were Medium Green with Light Green primary accent and Dark Green secondary colors and Medium Blue with Light Blue primary accent and Dark Blue secondary colors. "Welting" and Buttons should be painted Silver. Use Flat paints for cloth detail, Gloss paints for metal and Semi-Gloss for other detail

4

FRONT RIGHT & LEFT

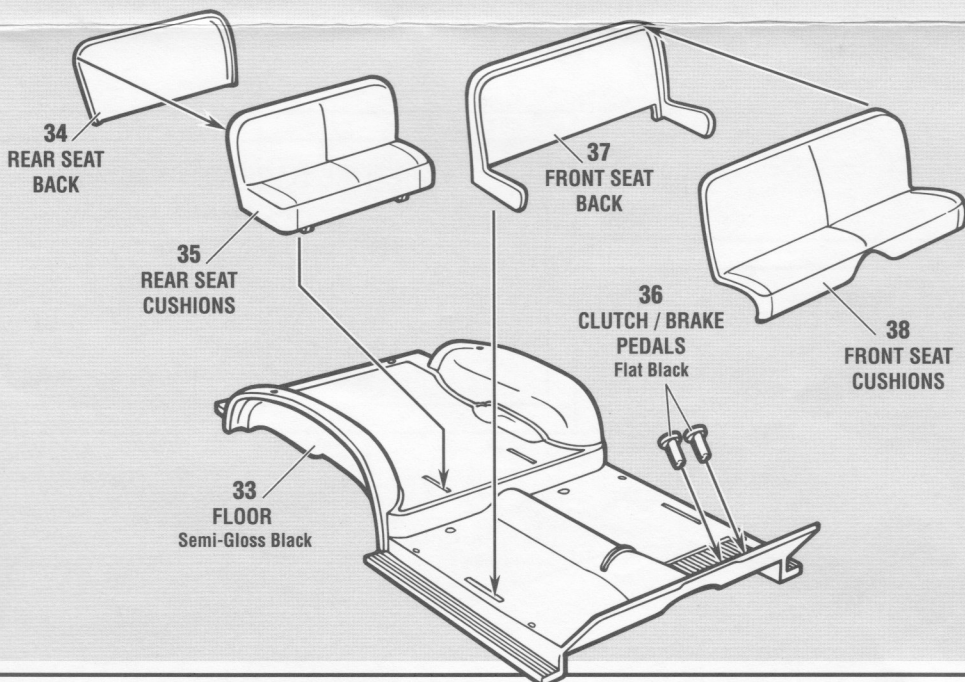


IMPORTANT: Note direction of tire tread rotation during assembly.

INTERIOR ASSEMBLY

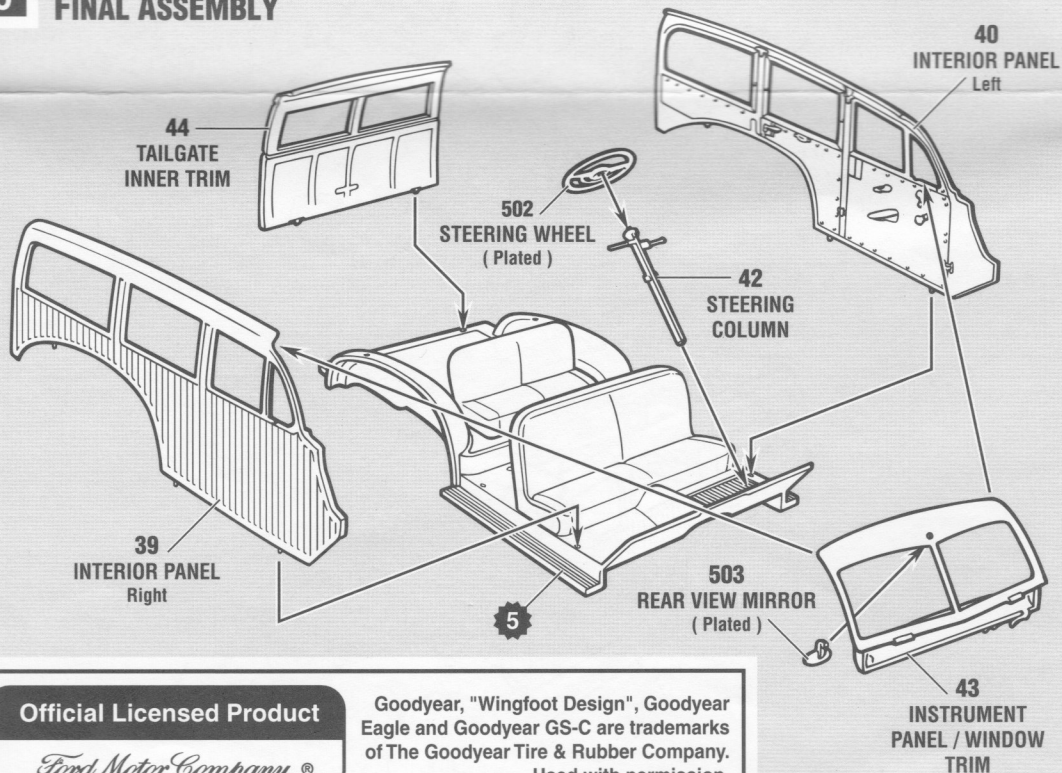
5

PRELIMINARY ASSEMBLY



6

FINAL ASSEMBLY



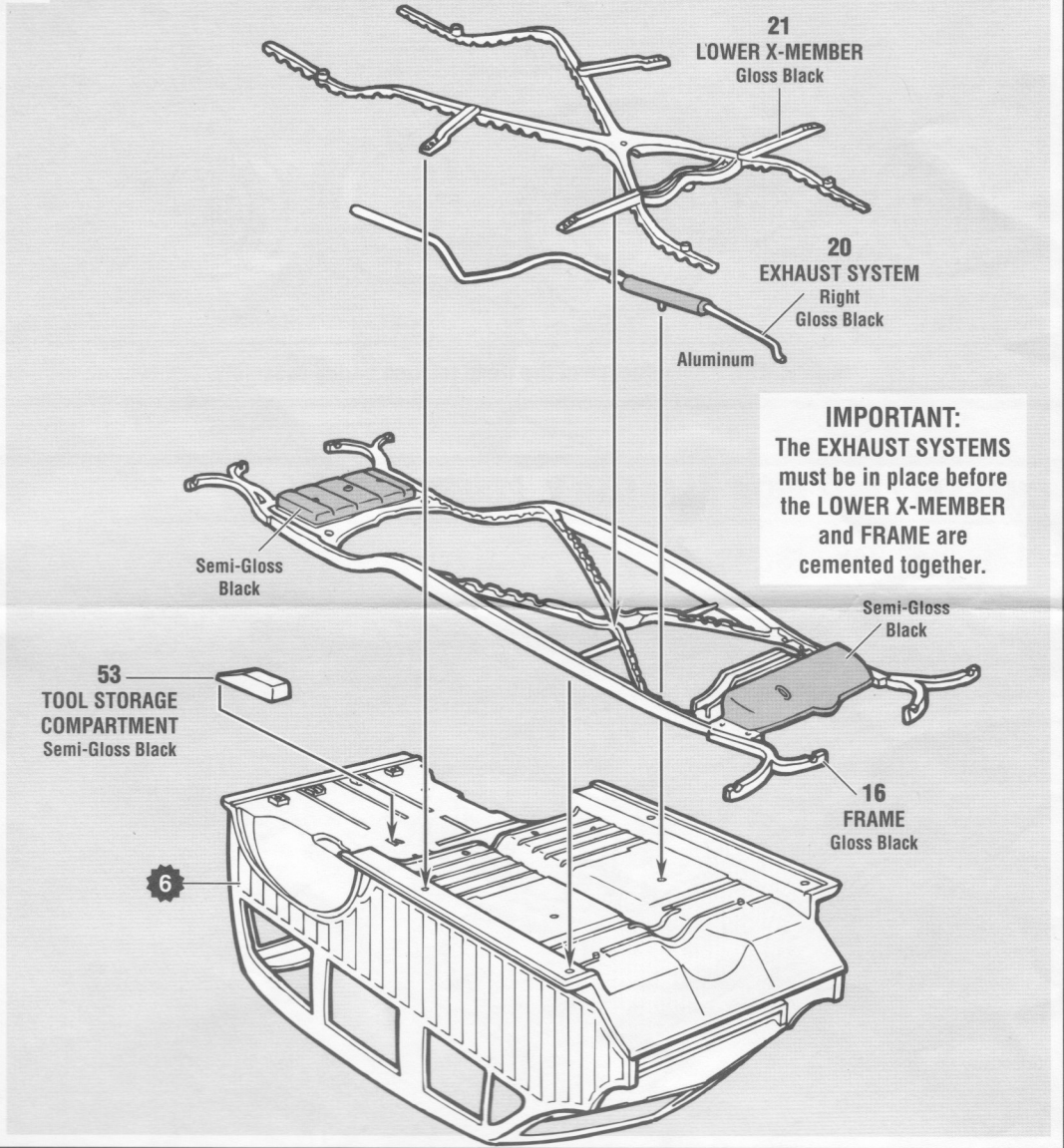
Official Licensed Product

Ford Motor Company®

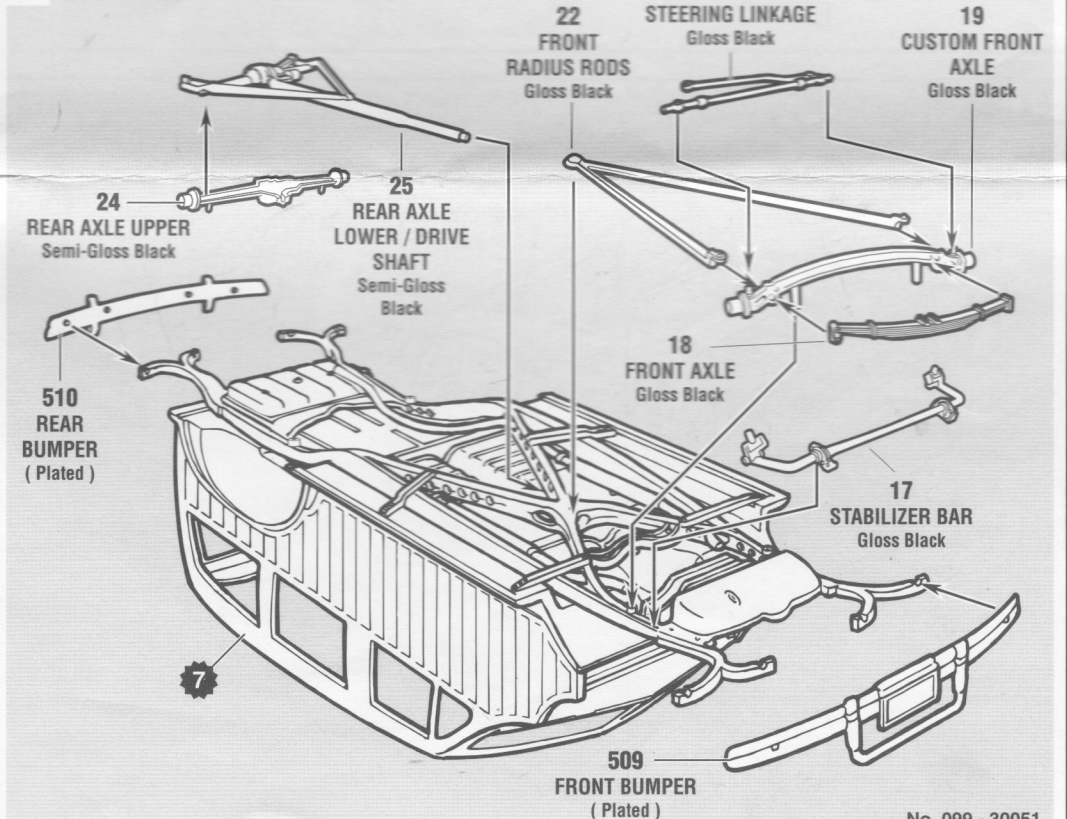
Goodyear, "Wingfoot Design", Goodyear Eagle and Goodyear GS-C are trademarks of The Goodyear Tire & Rubber Company. Used with permission.

CHASSIS / INTERIOR ASSEMBLY

7 PRELIMINARY ASSEMBLY



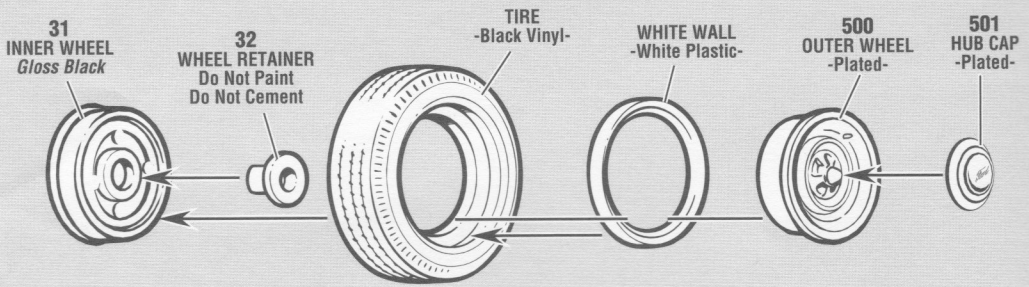
8 SECONDARY ASSEMBLY



REAR WHEEL ASSEMBLY

Assemble 2 as Shown

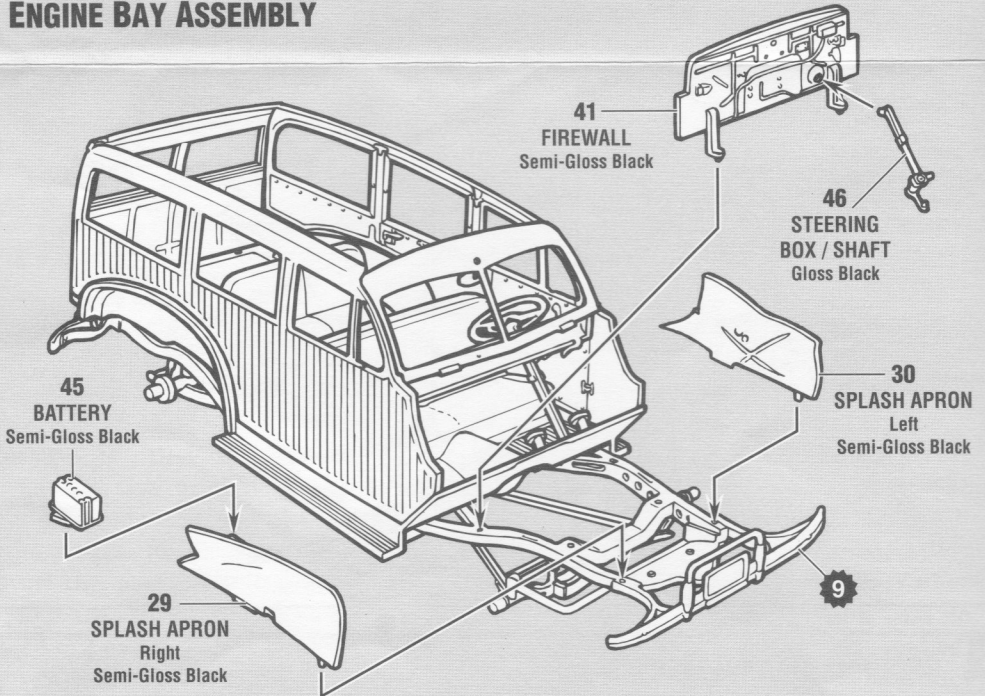
9 REAR RIGHT & LEFT



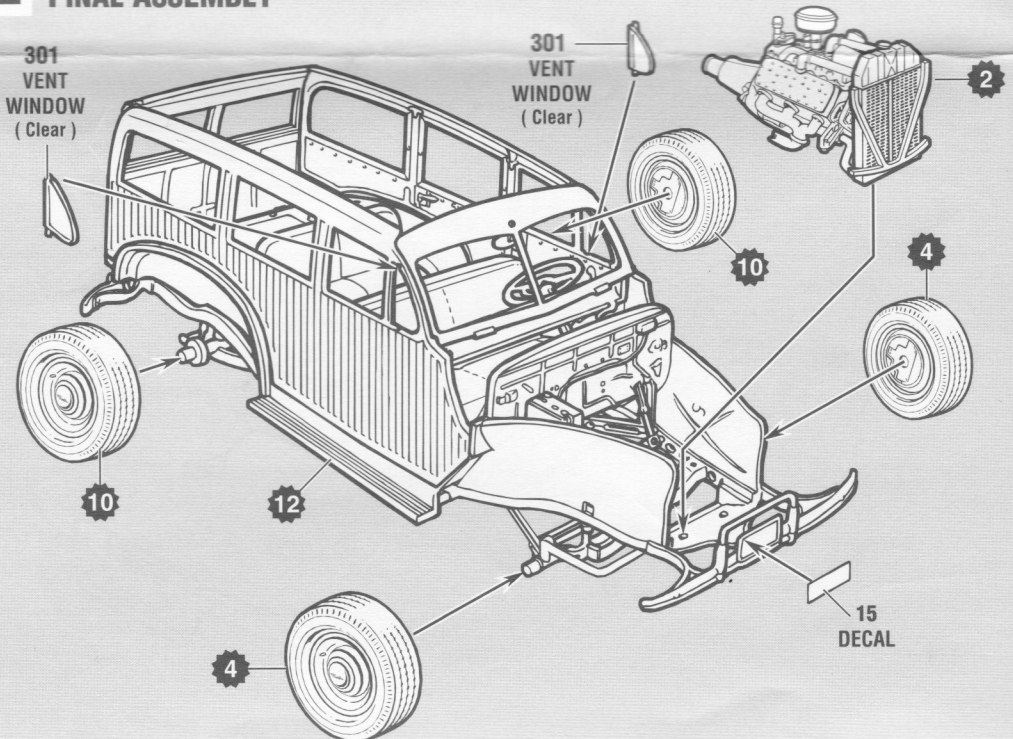
IMPORTANT: Note direction of tire tread rotation during assembly.

CHASSIS / INTERIOR ASSEMBLY [CONTINUED]

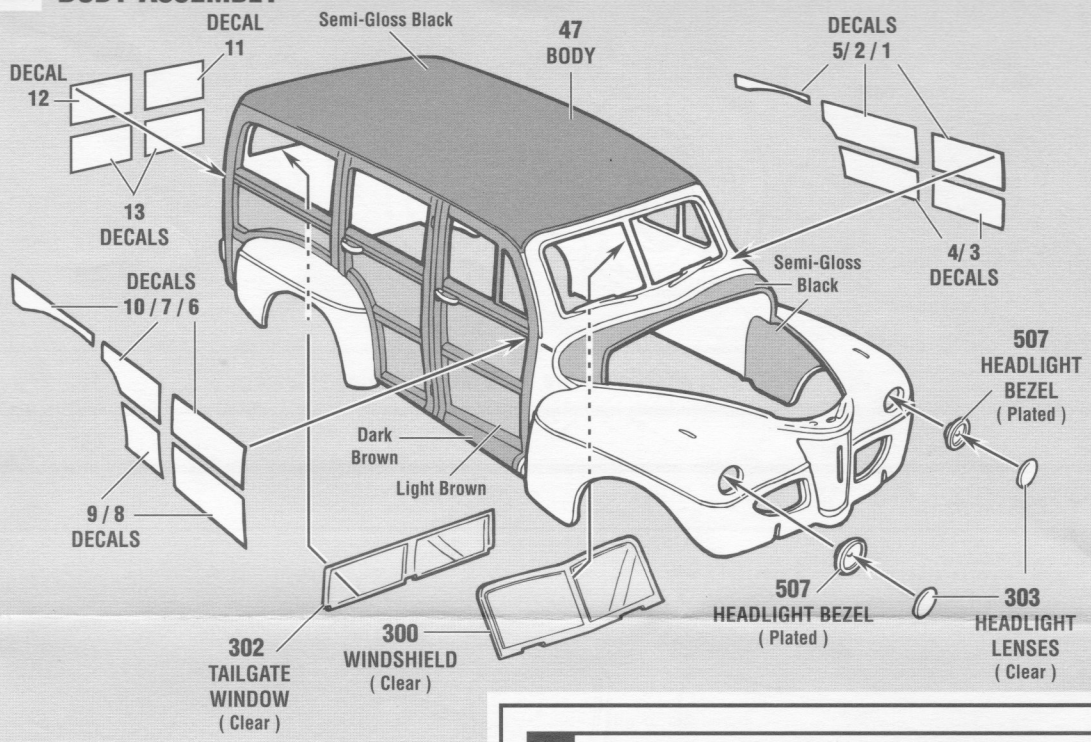
10 ENGINE BAY ASSEMBLY



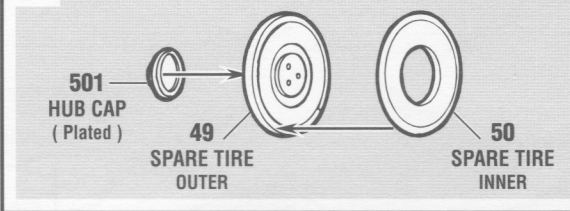
11 FINAL ASSEMBLY



12 BODY ASSEMBLY



13 SPARE TIRE CARRIER ASSEMBLY



14 FINAL ASSEMBLY

