

Russian MiG-31B/BM Foxhound

MiG-31B/BM “捕狐犬”

READ BEFORE ASSEMBLY:

- This kit is not recommended for inexperienced modelers or for children under 14 years of age
- Study and understand these instructions thoroughly before beginning assembly
- When needed, remove photo-etch parts carefully using a modeling knife or photo etch sprue cutter, being careful not to damage or lose small parts.
- Take extra care in handling photo etch parts in order to avoid injury
- Apply instant cement sparingly to photo etch parts where instructed

- Tools recommended(not included in kit):Plastic and instant cements,sprue cutters,long nose pliers,modeling knife, small files, tweezers, pin vise & scissors. Soft cloth and sandpaper will also assist in construction
- Glue and paint are not included in the kit. Use plastic cement and hobby paints only. Color guide for purchasing paint is included in the kit.
- Keep out of reach of children. They must not be allowed to ingest small parts or handle plastic bags in any way.

装配之前仔细阅读

- 小心用模型锉刀锉平所有零件表面的注射浇口。
- 小心用刀片切下蚀刻片零件，不要遗失小零件。
- 用强力快干胶水粘合蚀刻片零件和金属轴。过量的快干胶水使用可能导致可动零件会粘住，小心涂胶。
- 取蚀刻片时应特别注意安全，防止利边划伤手指。
- 某些零件表面需贴上水贴纸，请选择在装配的同时进行。
- 推荐模型工具(自备)：胶水，水口剪刀，长咀钳，刀片，锉刀，镊子钳，钻，剪刀，瞬间快干胶。
- 软布同砂纸同时也应该是必备工具。
- 请使用塑料胶水和油漆，模型内不含。
- 谨防小孩吸吮塑料零件，或者将塑料袋套在头上，制作时应将套材远离小孩接触。
- 本产品不适合14岁以下没有经验的模型爱好者。

水贴纸的使用:

1. 从水贴纸上剪下印花;
2. 将印花放入温水中浸10秒, 然后放在干净布上。
3. 拿着印花纸板将印花移到模型上;
4. 手指蘸水将印花移到适当的位置;
5. 用软布轻压印花直至水干, 气泡消失。

DECAL APPLICATION:

1. Cut decals from sheet as needed
2. Dip the decal in warm water for about 10 seconds and then place on soft clean cloth.
3. Hold the decal backing sheet edge and gently slide the decal onto the model in its proper position.

4. While still wet, decal can be adjusted for better fit on model by dampening it gently with your finger.
5. When placed in the proper position, gently press decal down with a soft cloth until excess water and air bubbles are gone.
6. Allow decal to dry completely before handling model



使用强力胶
Cyanoacrylate glue



配重
Weight



钻孔
Make hole



切除
Cut / Remove



先装
Install it first



贴纸
Decal



锉平
File / Sand



选择
Option

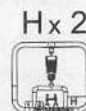
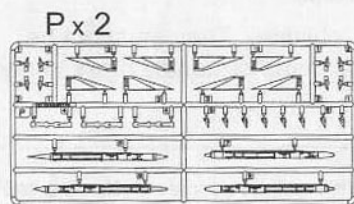
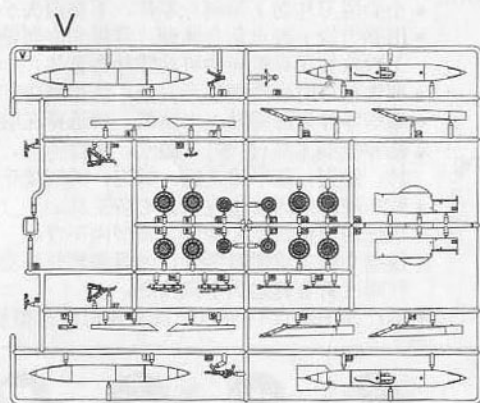
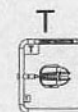
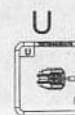
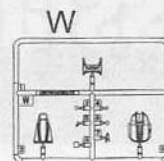
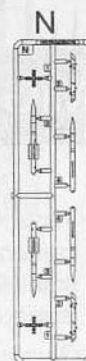
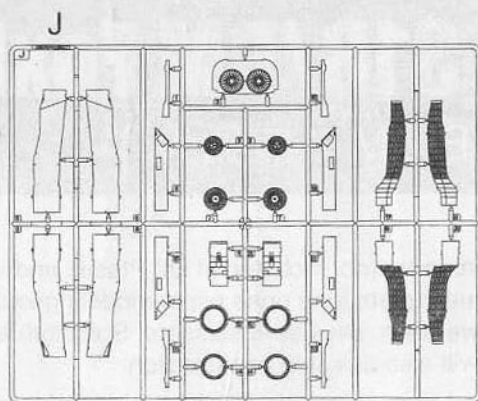
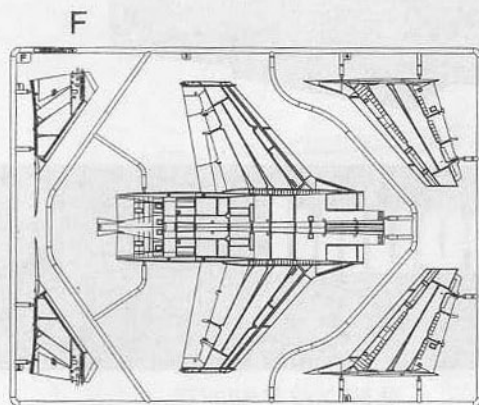
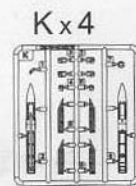
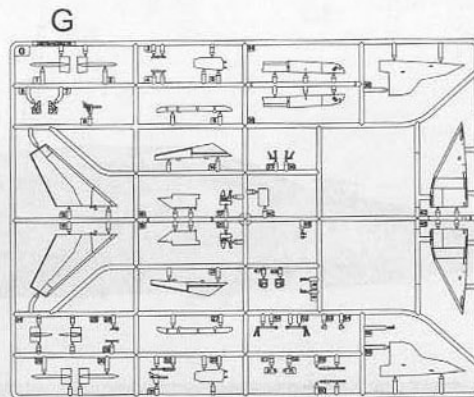
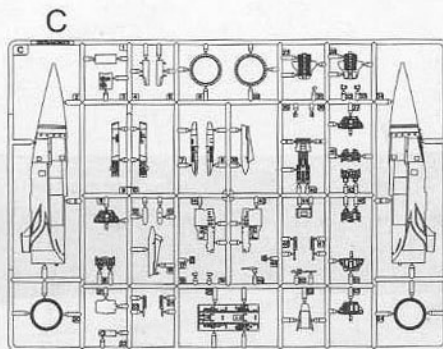
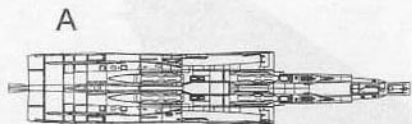


不涂胶水
No cement



弯曲
Bend

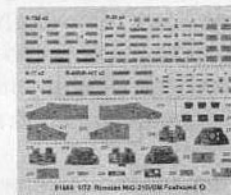
部品图
Parts



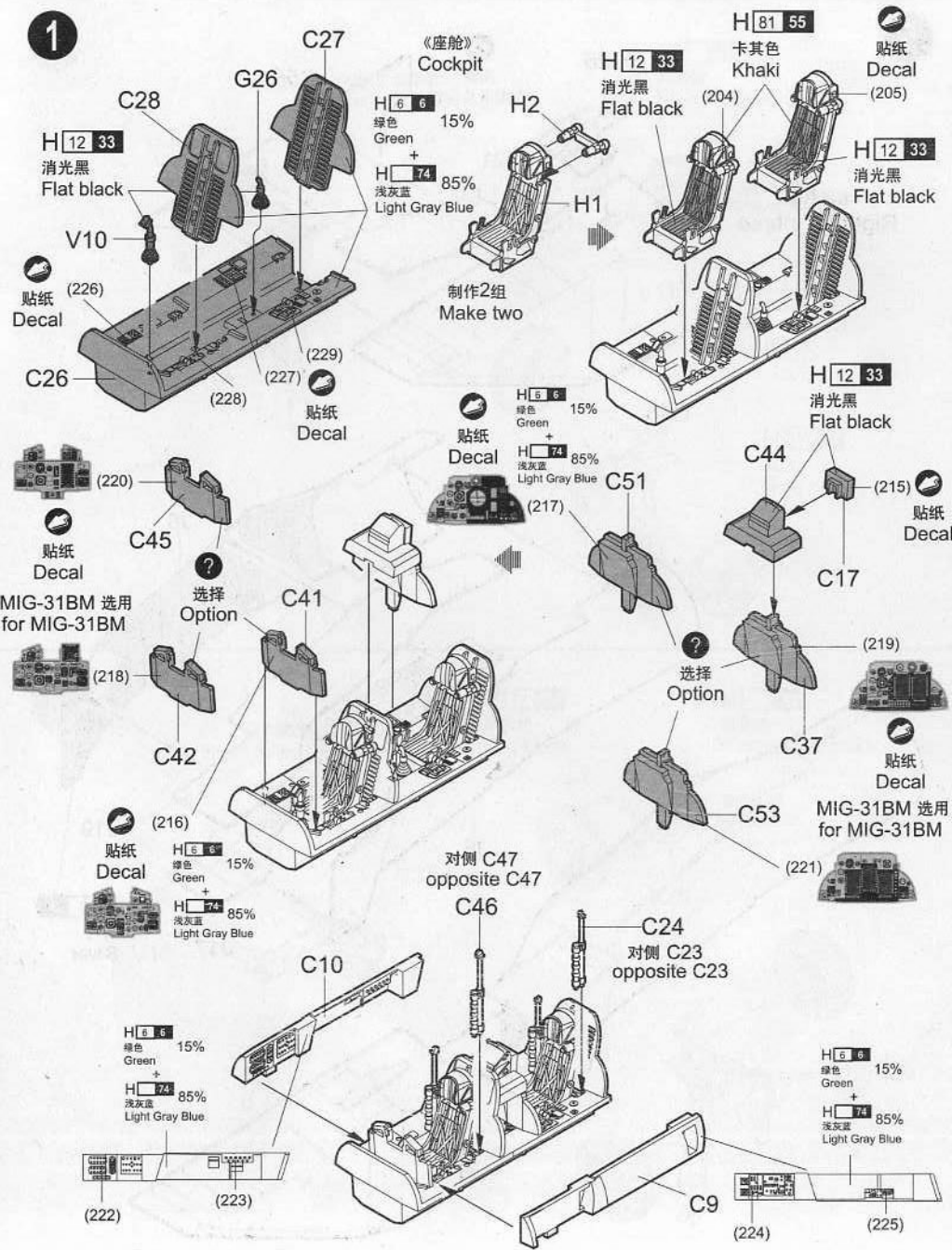
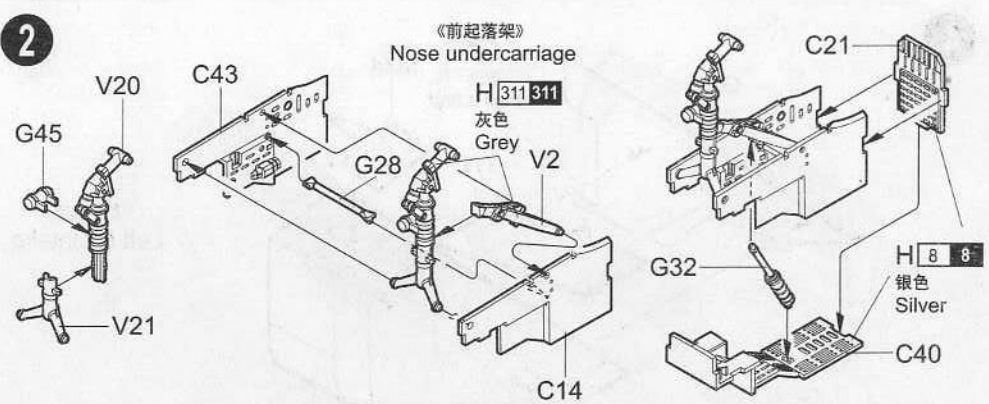
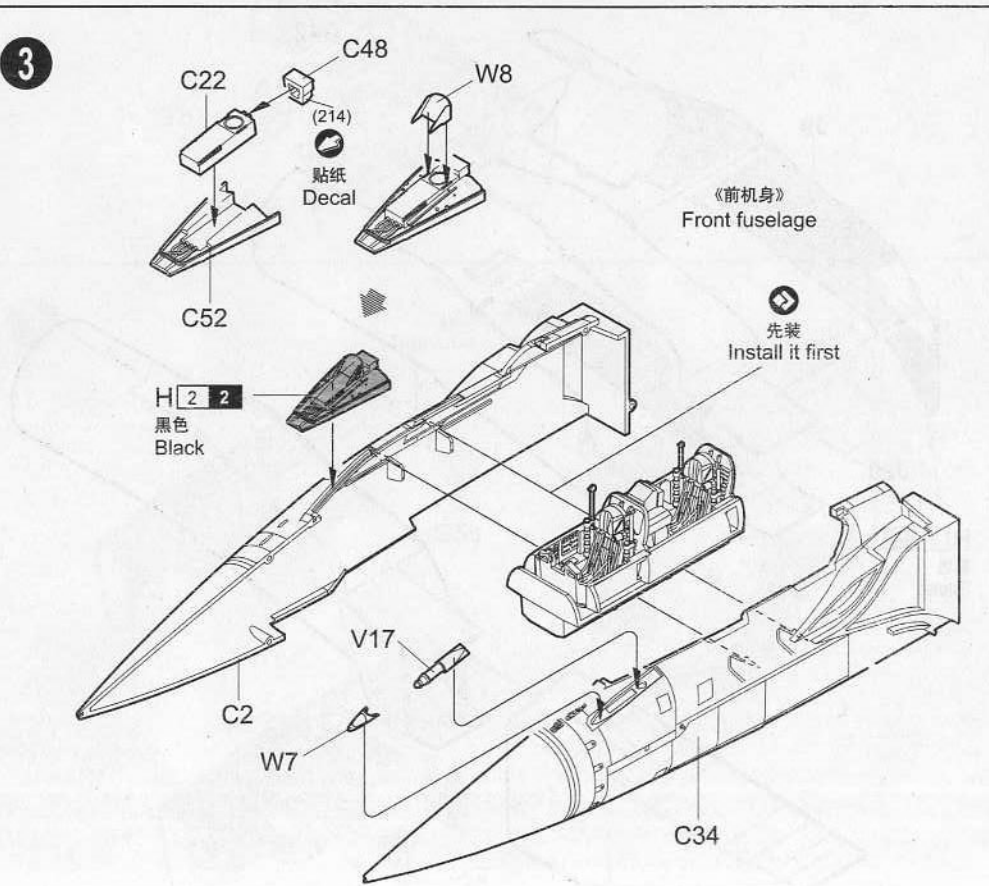
《水贴纸》A
Decal A



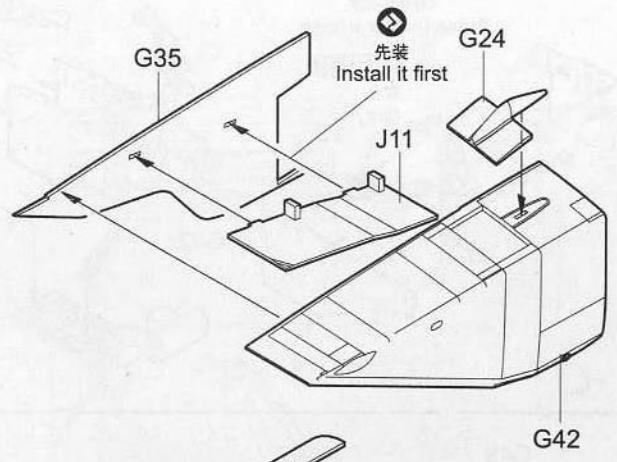
《水贴纸》B
Decal B



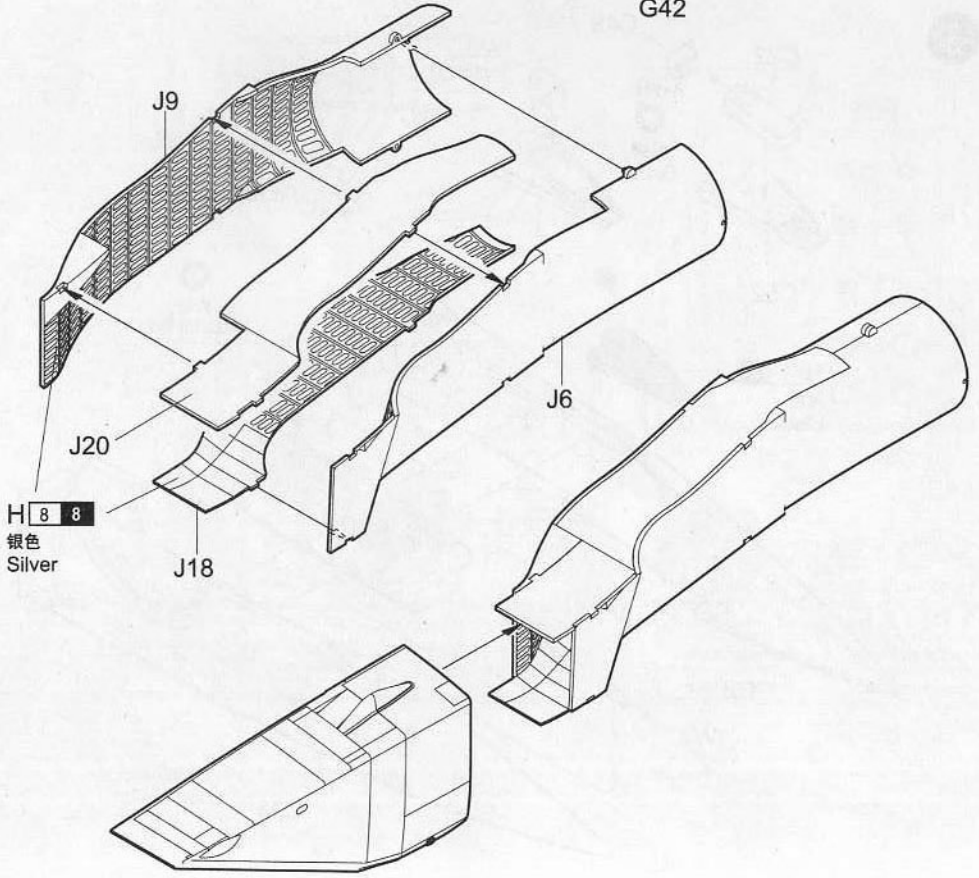
不用的部件: C6 C11 C15 C29
Unused parts

1**2****3**

4

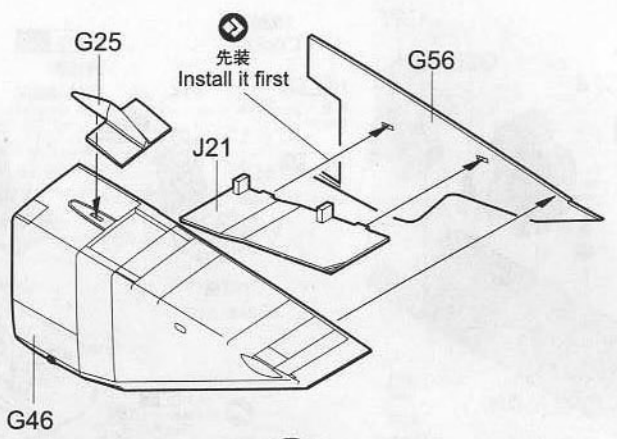


《左进气道》
Left Air intake

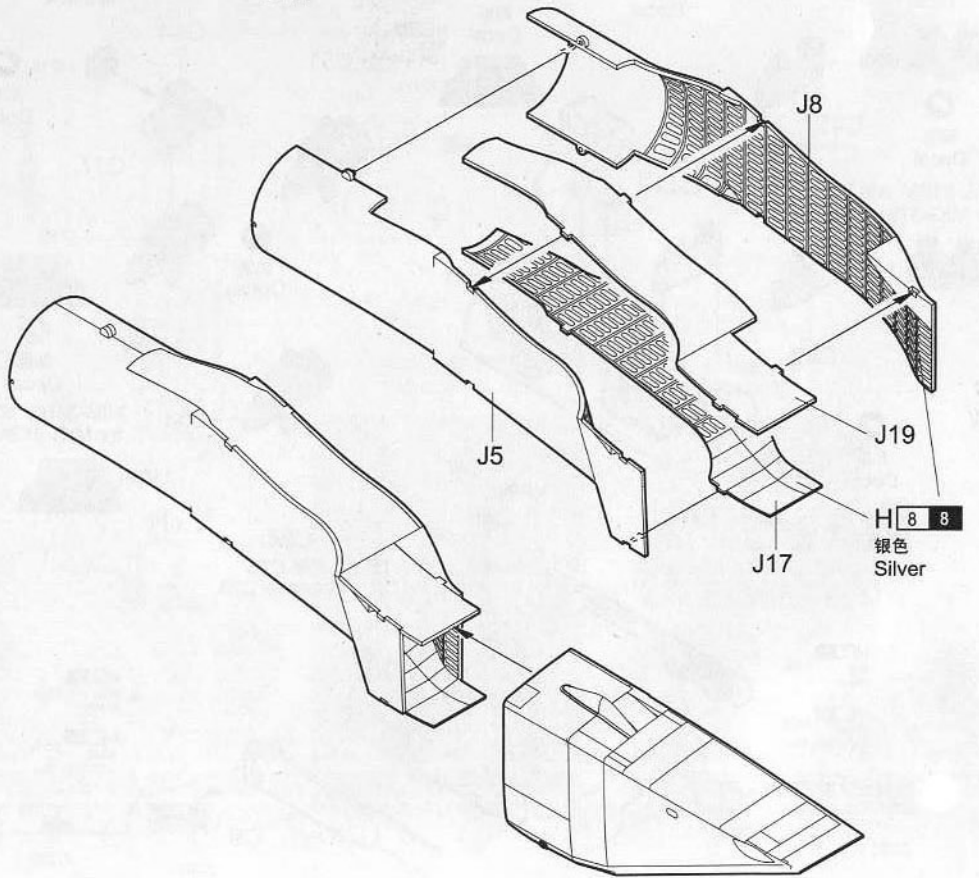


H 8 8
银色
Silver

5



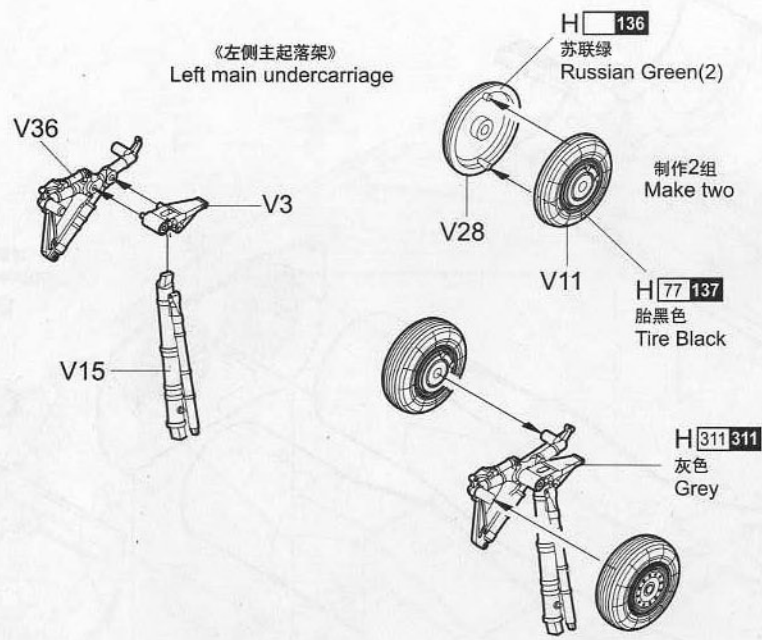
《右进气道》
Right Air intake



H 8 8
银色
Silver

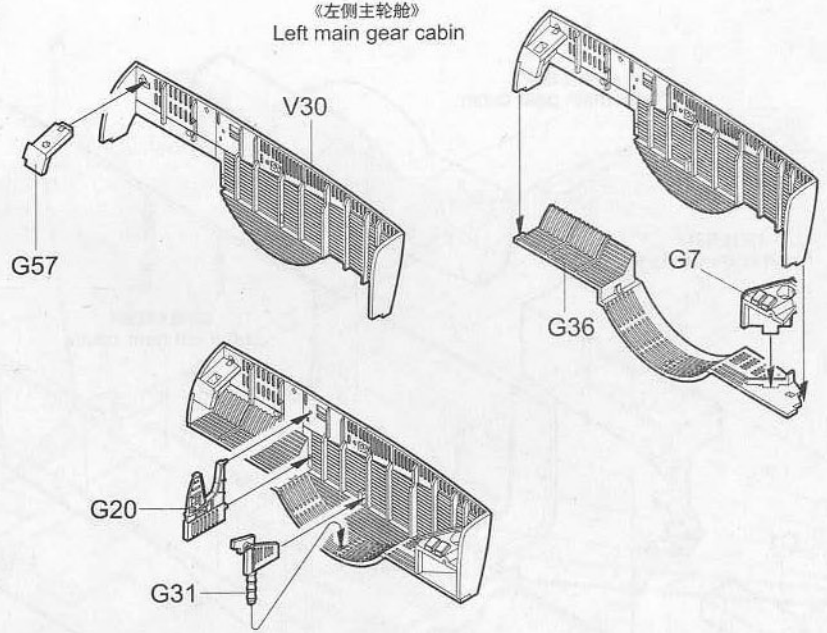
6

《左侧主起落架》
Left main undercarriage



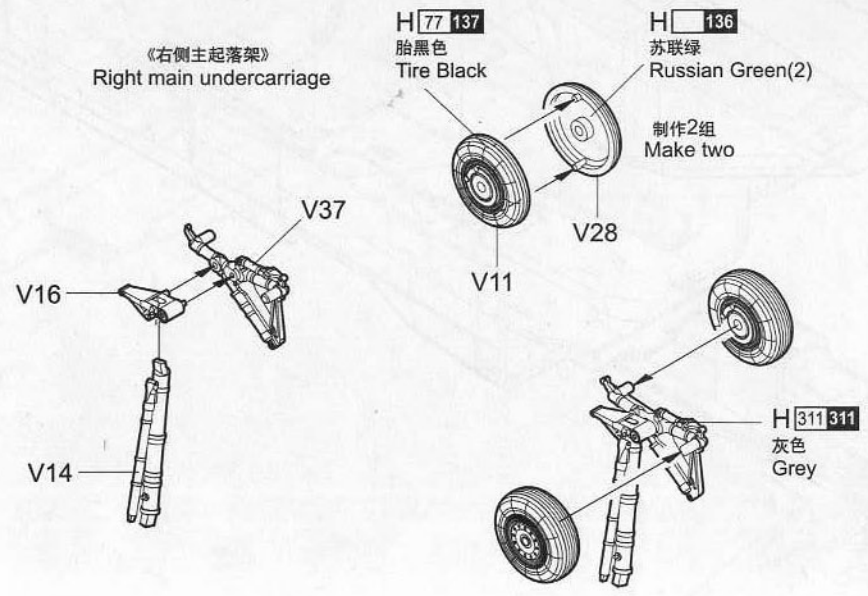
7

《左侧主轮舱》
Left main gear cabin



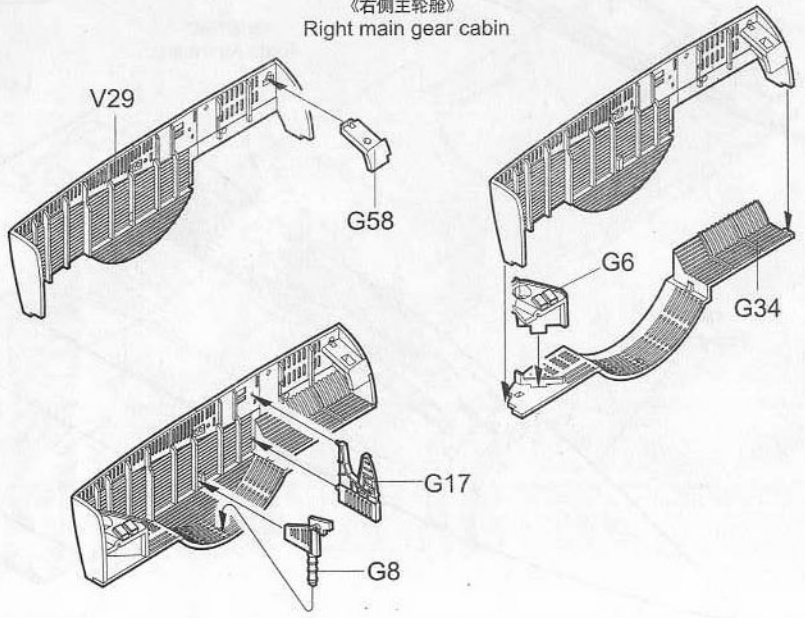
8

《右侧主起落架》
Right main undercarriage



9

《右侧主轮舱》
Right main gear cabin



《右侧主轮舱》
Right main gear cabin

《前起落架》
Nose undercarriage

《左侧主轮舱》
Left main gear cabin

C1

《右进气道》
Right Air intake

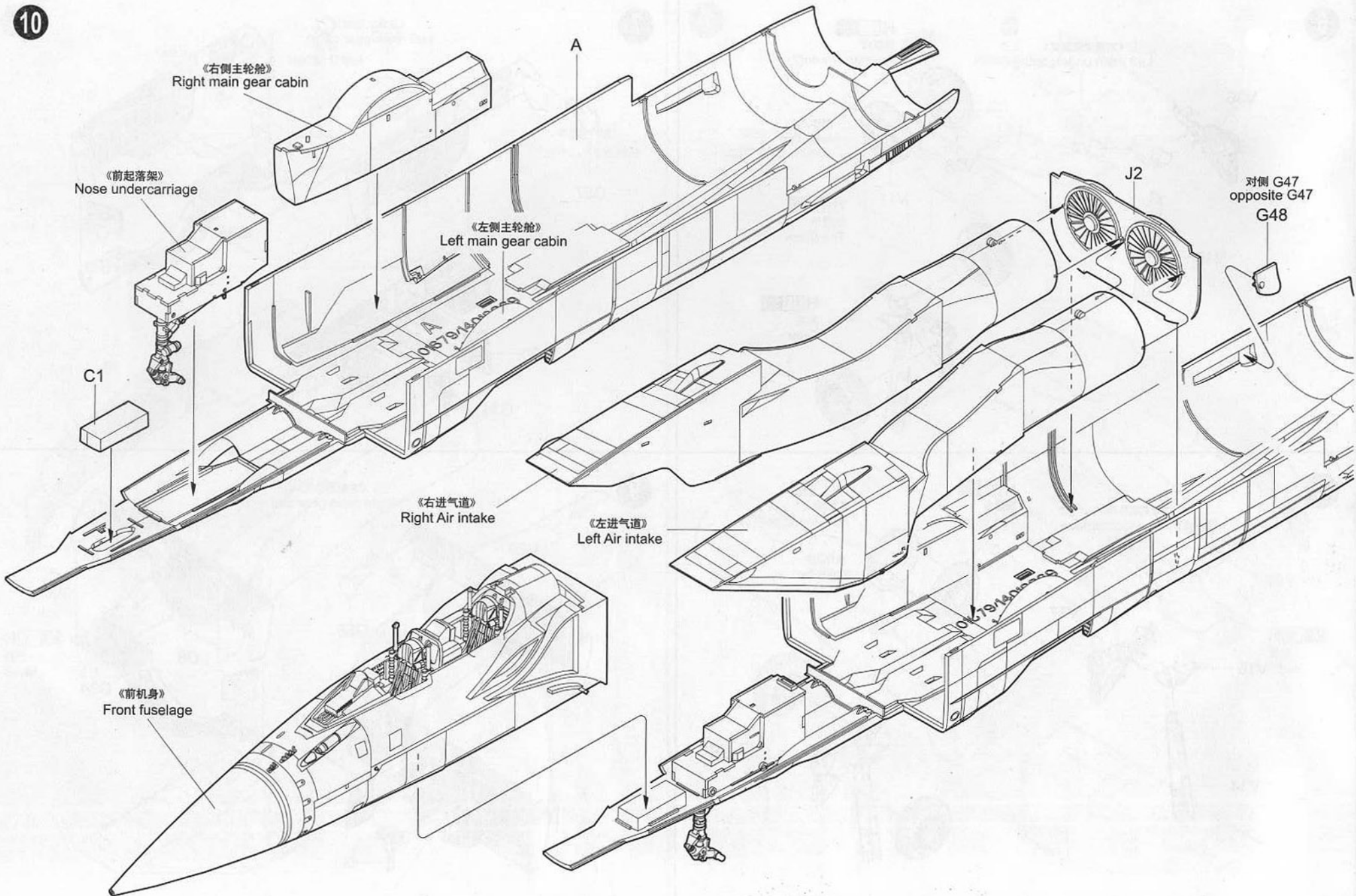
《左进气道》
Left Air intake

《前机身》
Front fuselage

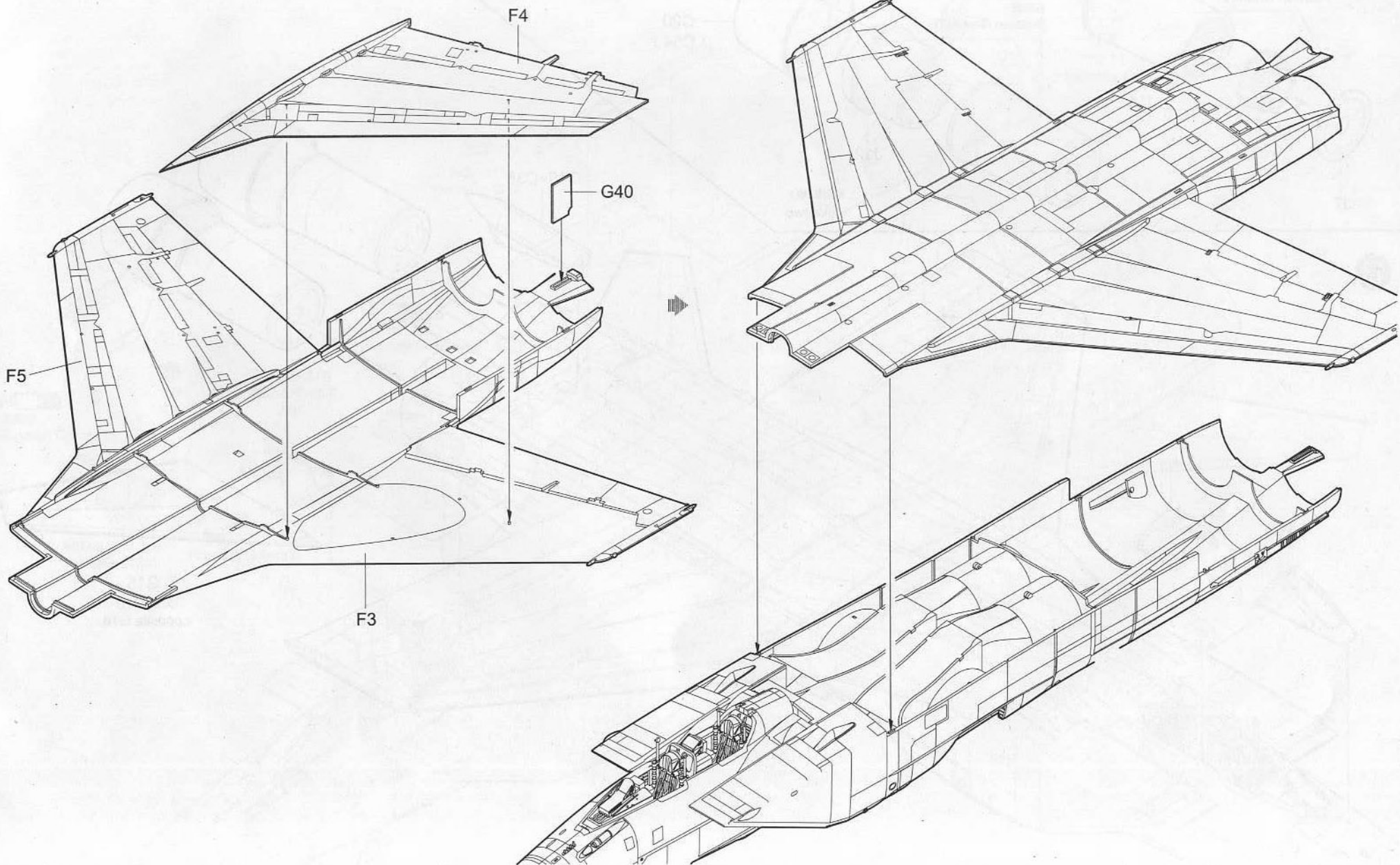
对侧 G47
opposite G47
G48

J2

A



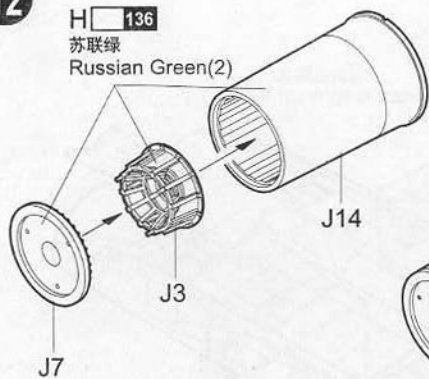
11



12

H 136

苏联绿
Russian Green(2)



H 136

苏联绿
Russian Green(2)



H 76 61

烧铁色
Burnt Iron

C20
(C54)

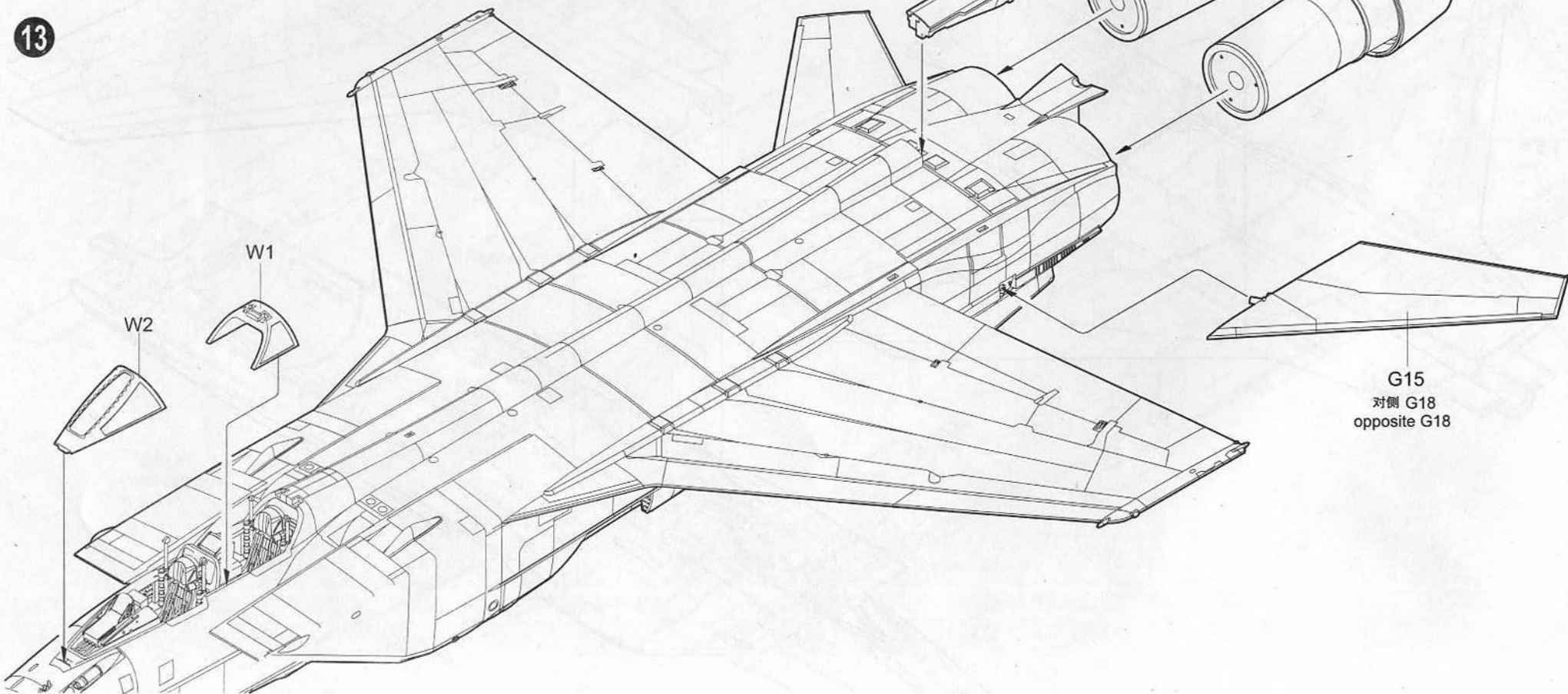
《制作2组》
Make two

C16+C38

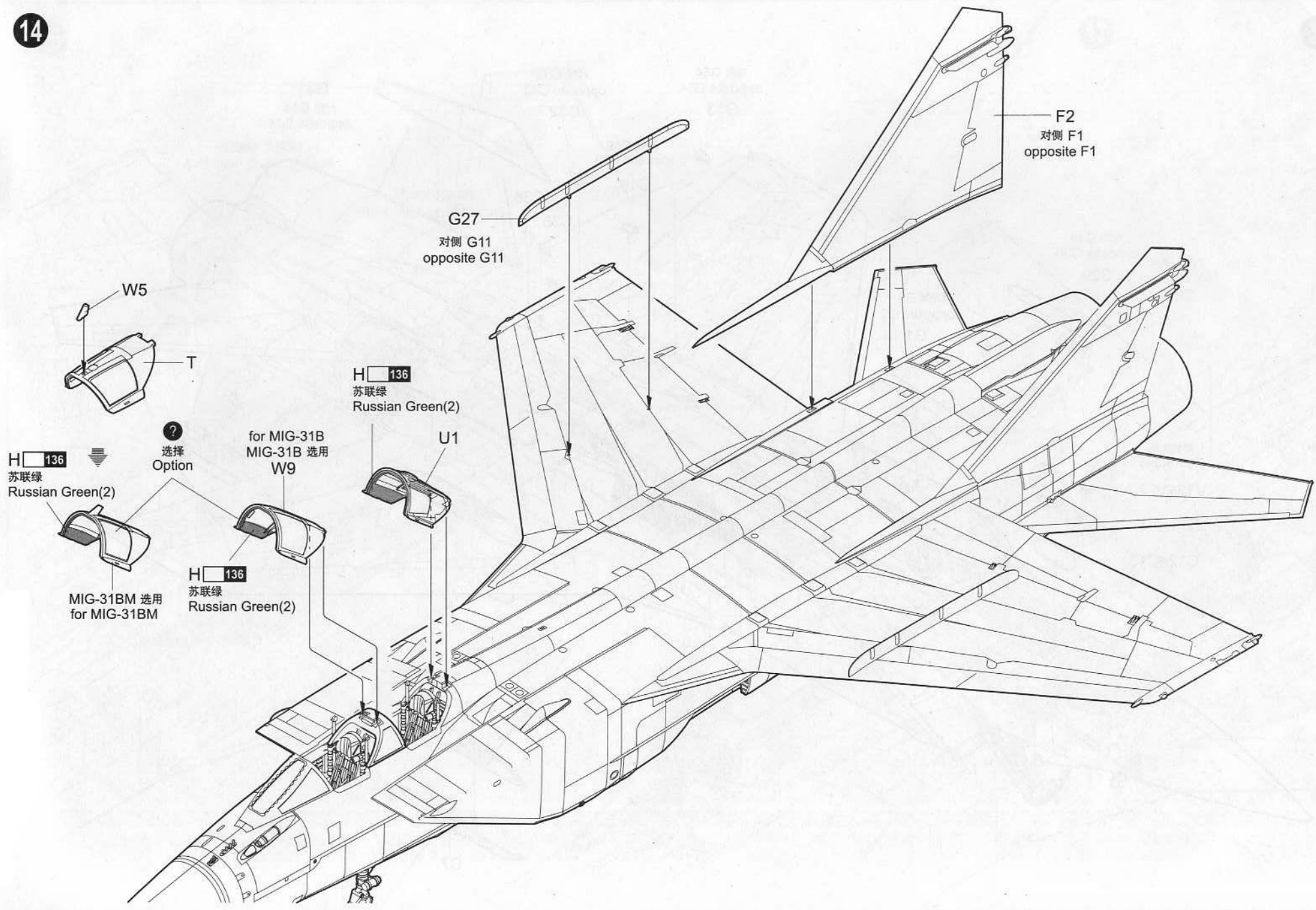
13

W1

W2



G15
对侧 G18
opposite G18



W5
T

H 136
苏联绿
Russian Green(2)

选择
Option

for MIG-31B
MIG-31B 选用
W9

MIG-31BM 选用
for MIG-31BM

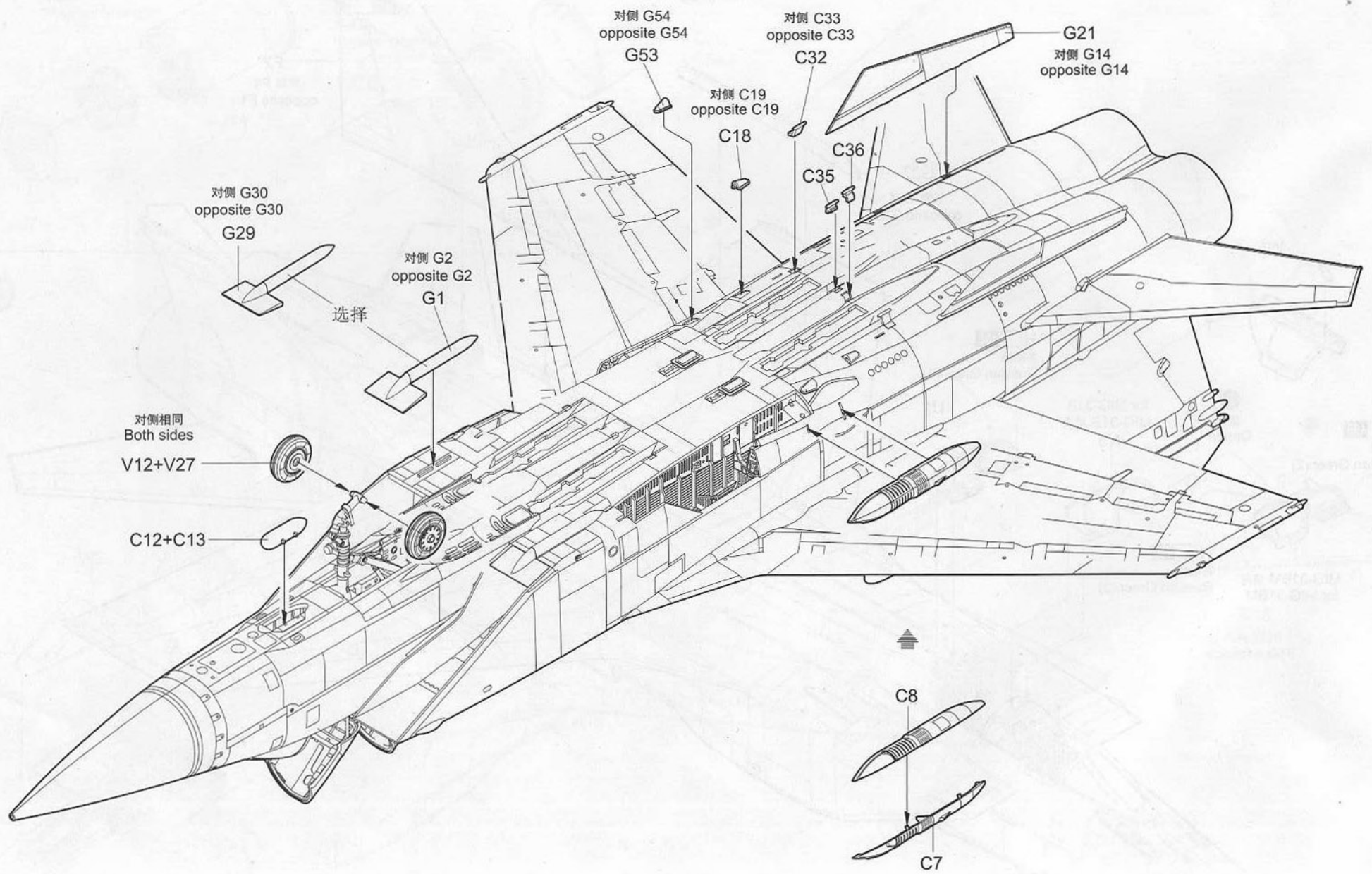
H 136
苏联绿
Russian Green(2)

H 136
苏联绿
Russian Green(2)

U1

G27
对侧 G11
opposite G11

F2
对侧 F1
opposite F1



16

《左侧主起落架》
Left main undercarriage

《右侧主起落架》
Right main undercarriage

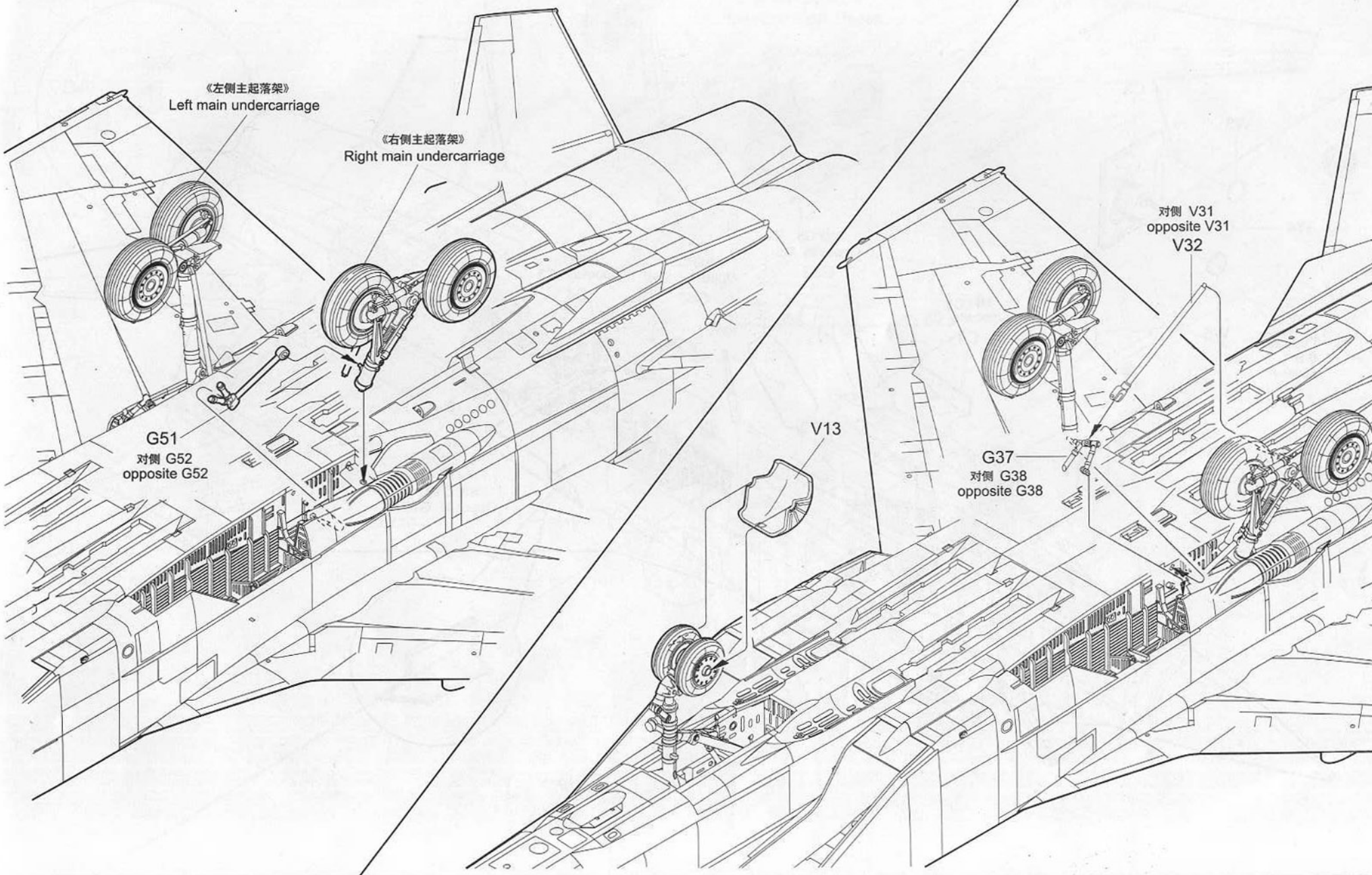
G51
对侧 G52
opposite G52

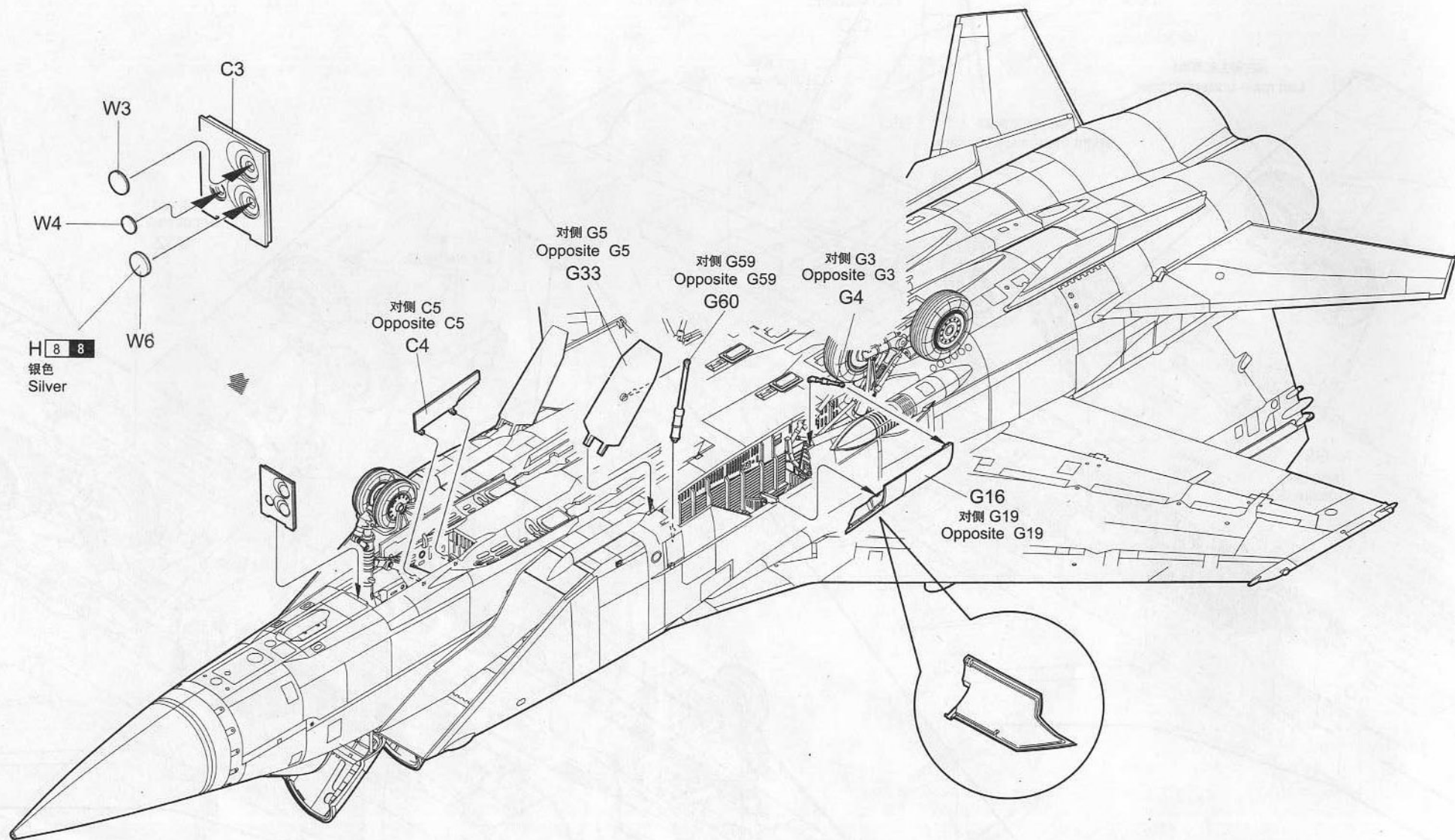
V13

17

对侧 V31
opposite V31
V32

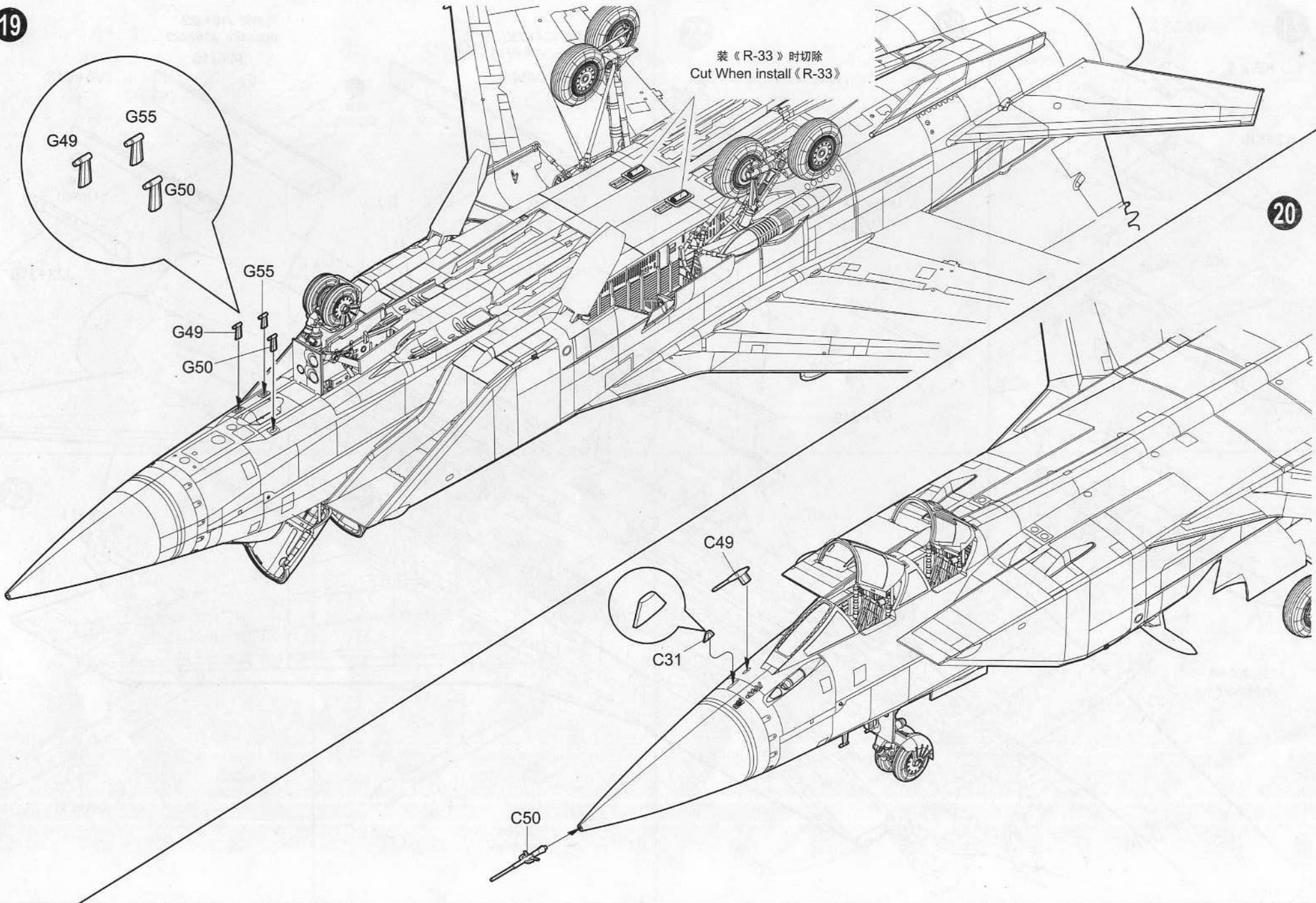
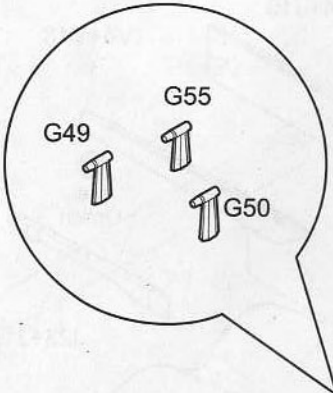
G37
对侧 G38
opposite G38





19

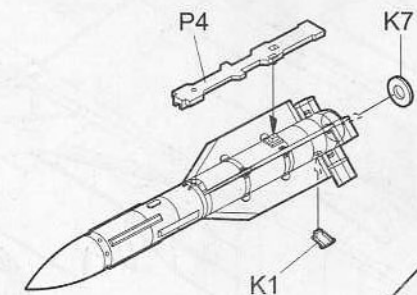
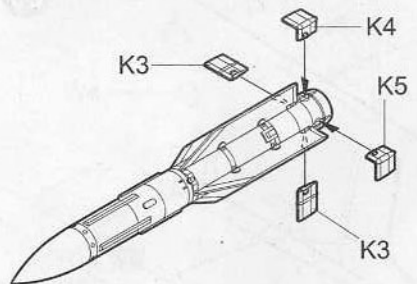
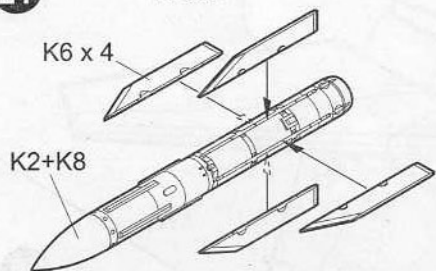
装《R-33》时切除
Cut When install《R-33》



20

21

《R-33》



制作4组
Make Four

22

对侧 V24+V33
opposite V24+V33
V23+V34

对侧 J16+J22
opposite J16+J22
J4+J10

V6+V18

R-33 x 4

选择
Option

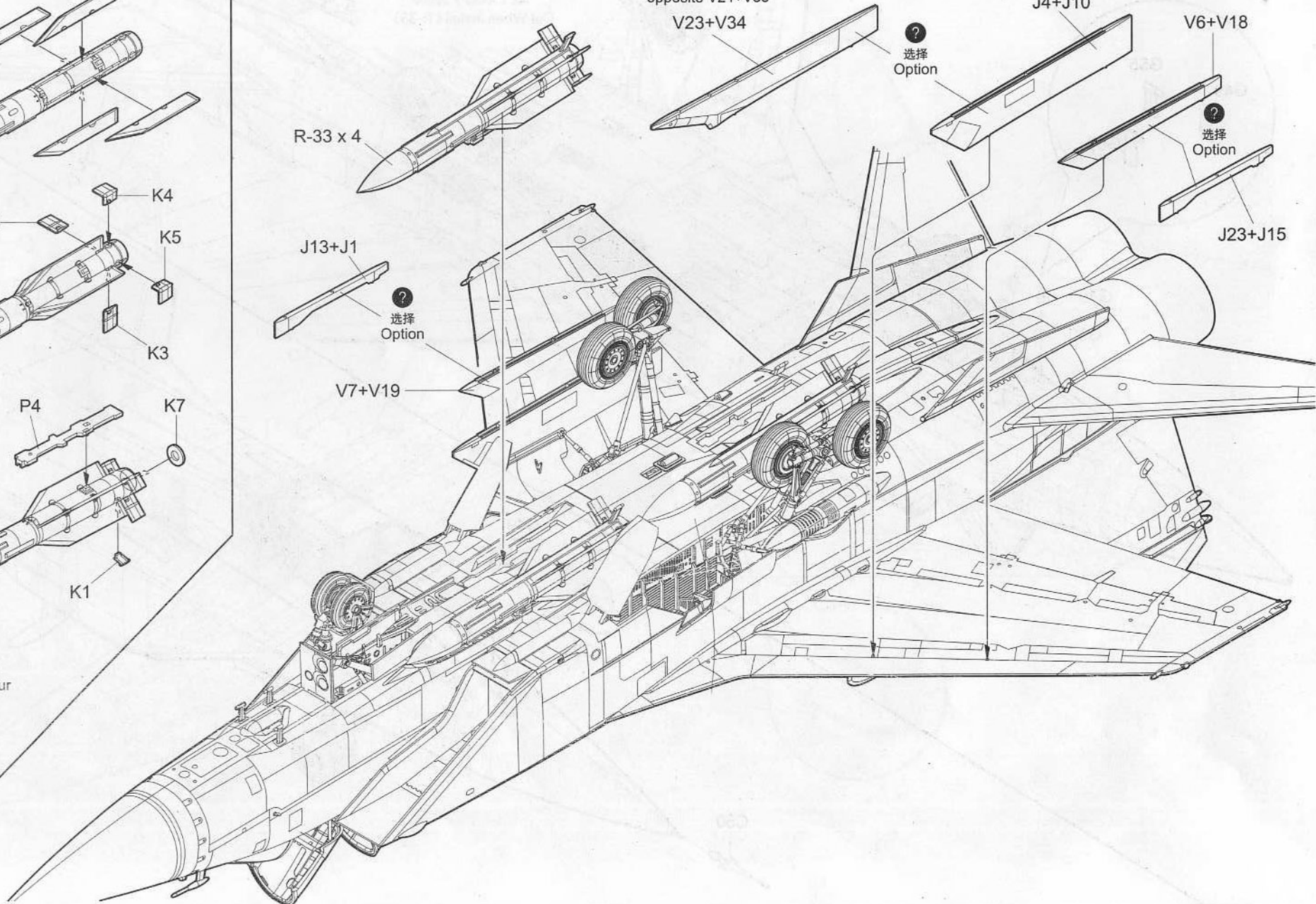
选择
Option

J23+J15

J13+J1

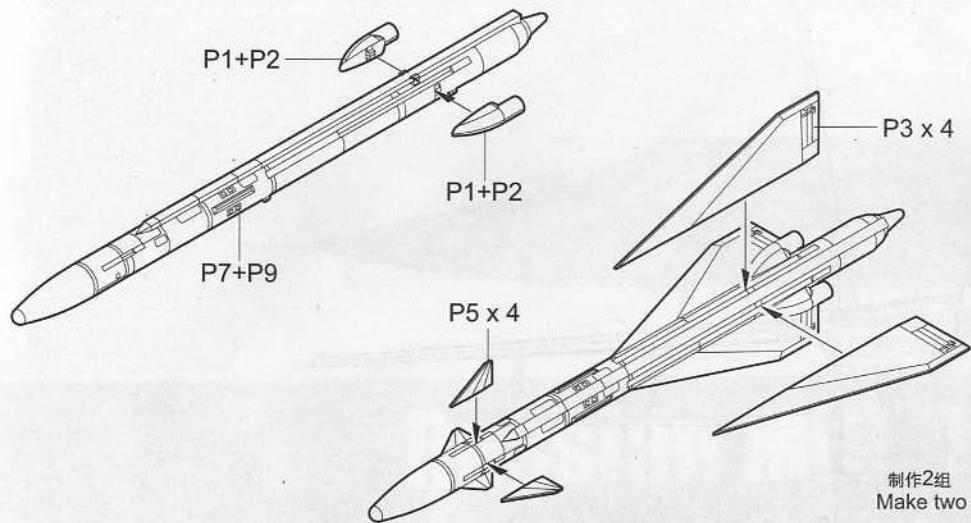
选择
Option

V7+V19



23

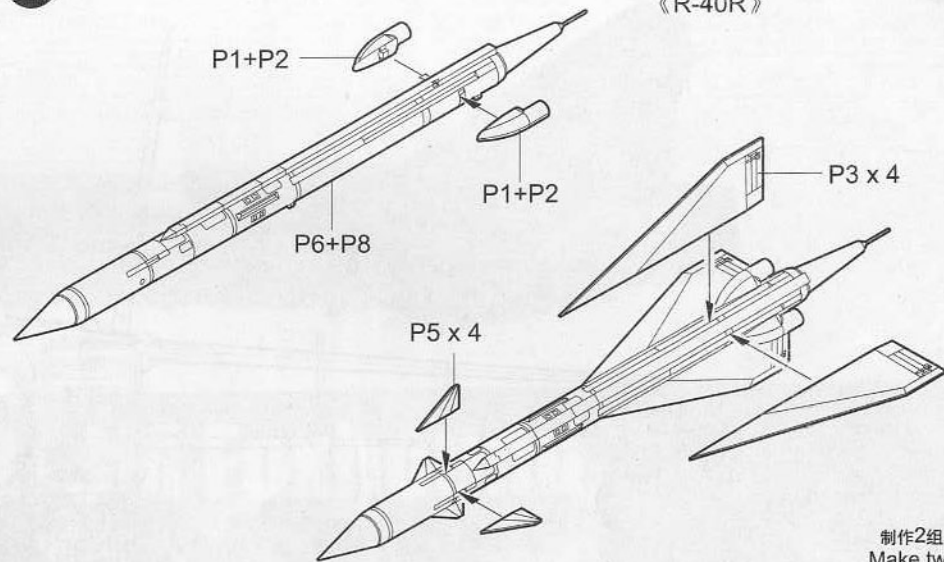
《R-40T》



制作2组
Make two

24

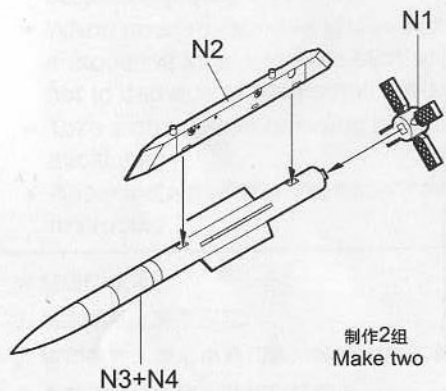
《R-40R》



制作2组
Make two

25

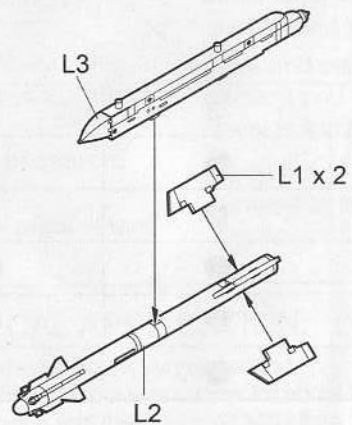
《R-77》



制作2组
Make two

26

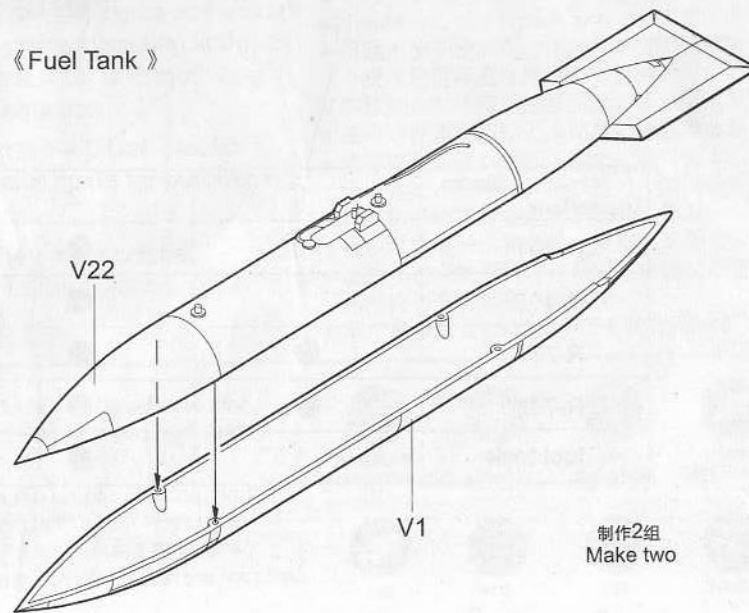
《R-73E》



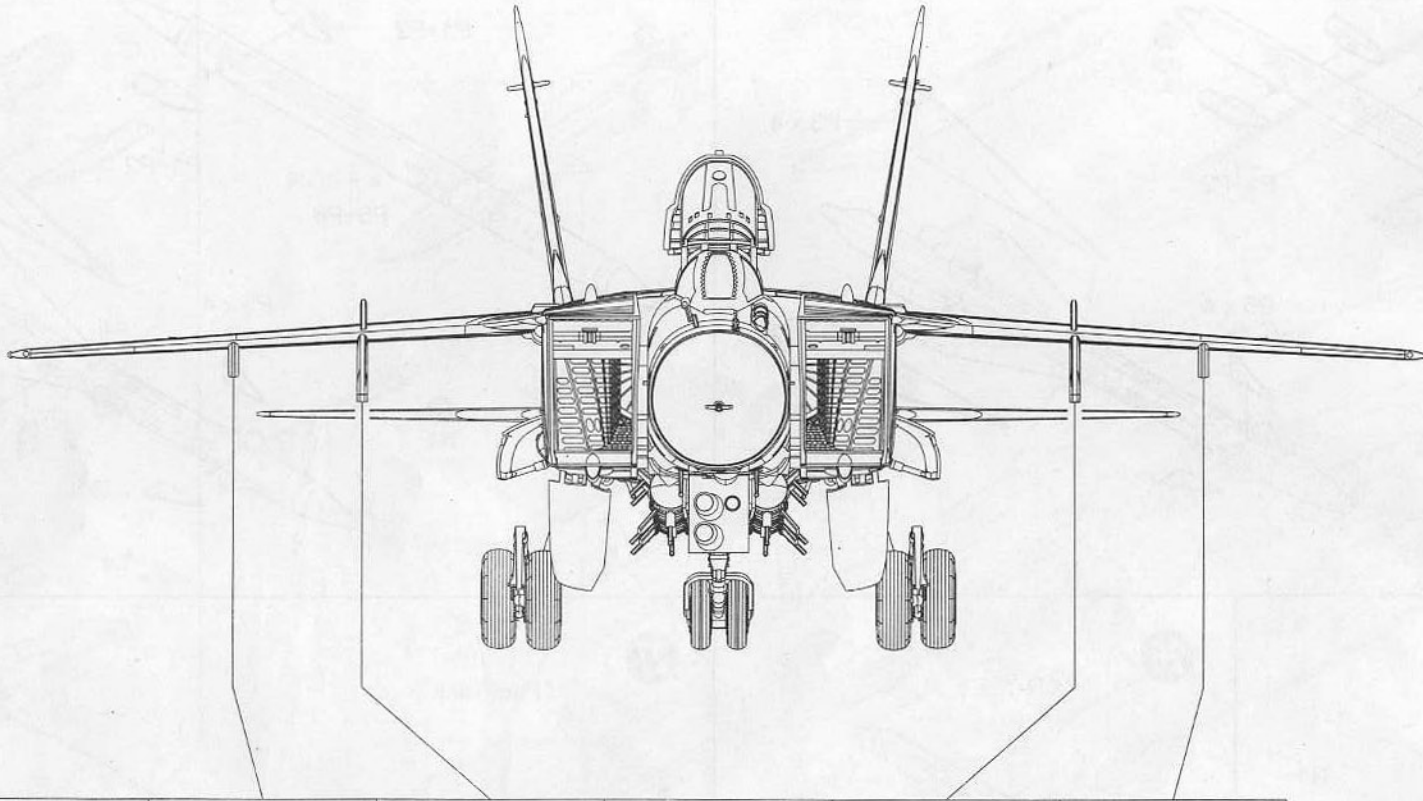
制作2组
Make two

27

《Fuel Tank》



制作2组
Make two



Sta.No.	1	2		3	4
Missile/Tank					
R-40T		●		●	
R-40R		●		●	
R-77	●	●		●	●
R-73E	●	●		●	●
fuel tank		●		●	

涂装同标贴指示 Painting & Marking guide

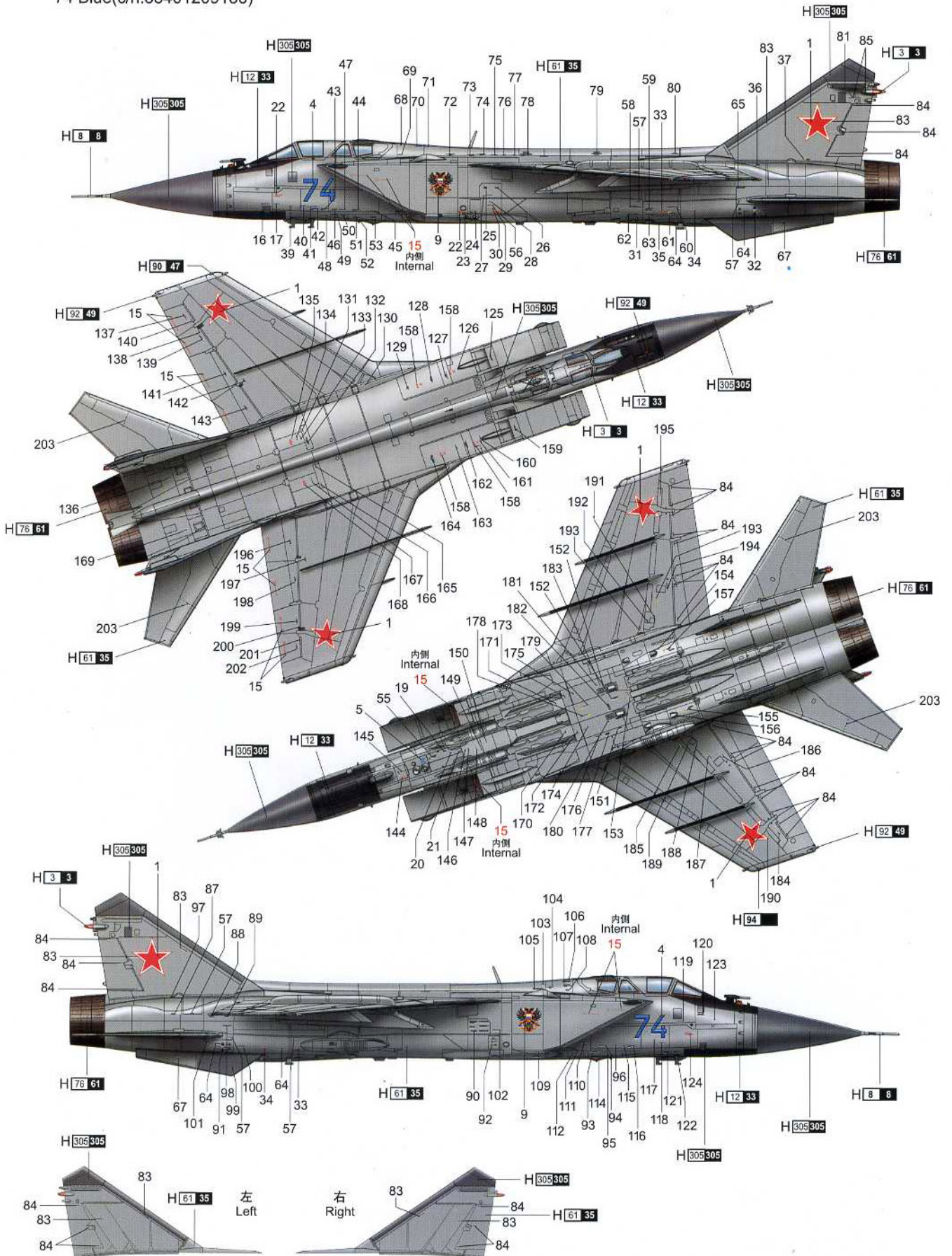
A USSR/Russian, 786th IAP, 3rd AD VVS and PVO of Moscow military district, Mig-31B, 74 Blue(c/n.38401209136)

PAINT REFERENCE COLOUR

Color	Mr.Hobby	Vallejo	Model Master	Tamiya	Humbrol
明灰白 Gray	H 61 35	907	1731	—	146
烧铁色 Burnt Iron	H 76 61	863	1795	X10	53
透明橘 Clear Orange	H 92 49	935	—	X26	—
红色 Red	H 3 3	908	1503	X7	19

PAINT REFERENCE COLOUR

Color	Mr.Hobby	Vallejo	Model Master	Tamiya	Humbrol
银色 Silver	H 8 8	997	1546	X11	11
透明红 Clear Red	H 90 47	934	—	X27	—
透明绿 Clear Green	H 94	936	—	X25	—
哑光黑色 Flat Black	H 12 33	950	1749	XF1	33
灰色 Medium Gunship Gray	H 305 305	868	1723	XF58	125



H [] AQUEOUS HOBBY COLOR X [] Mr. COLOR

涂装同标贴指示 Painting & Marking guide

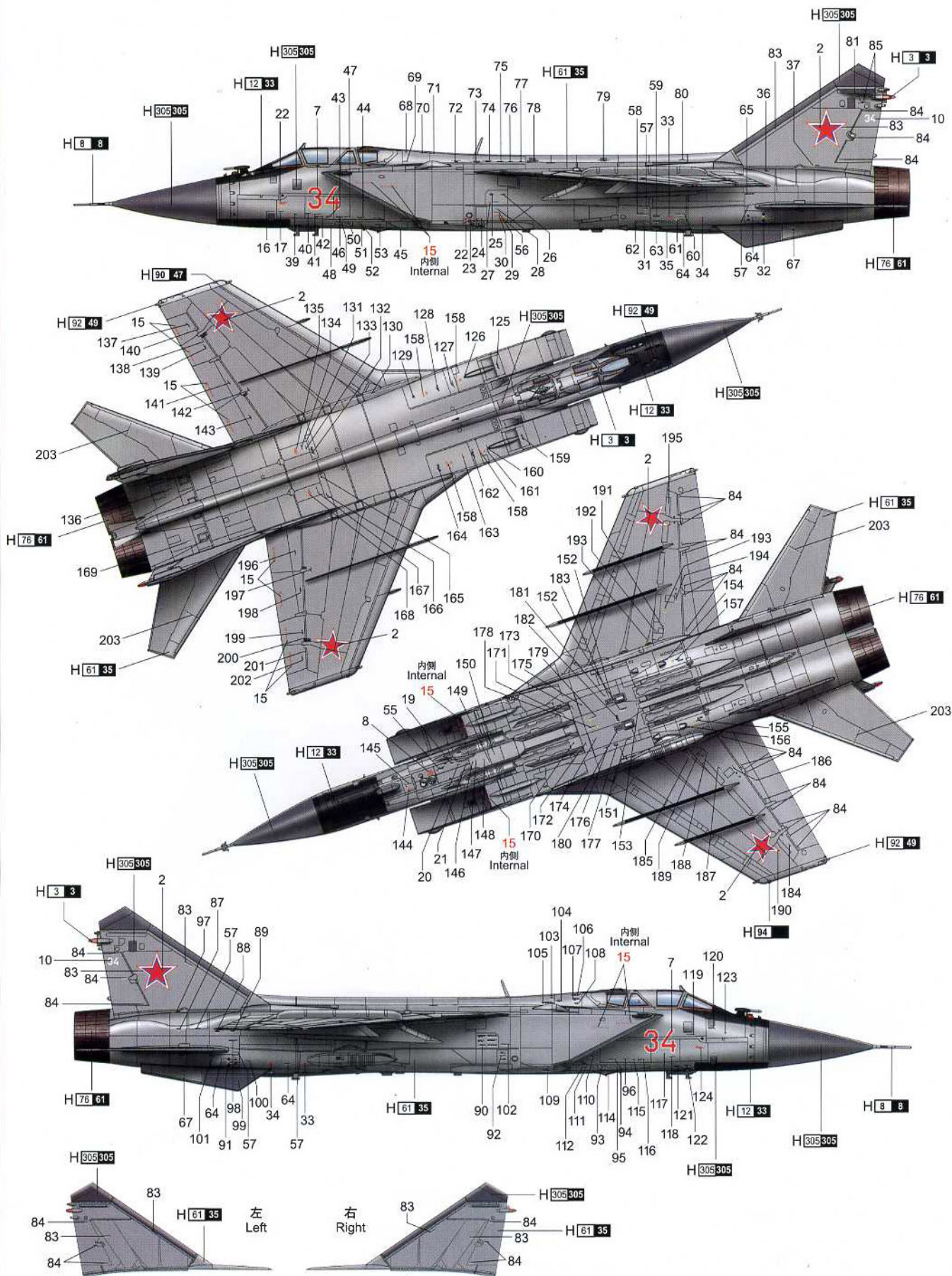
B USSR/Russian,
Mig-31BM, 34 Red.

PAINT REFERENCE COLOUR

Color	Mr.Hobby	Vallejo	Model Master	Tamiya	Humbrol
银灰色 Metallic Gray	H 61 35	907	1731	—	146
烧铁色 Burnt Iron	H 76 61	863	1795	X10	53
透明橘 Clear Orange	H 92 49	935	—	X26	—
红色 Red	H 3 3	908	1503	X7	19

PAINT REFERENCE COLOUR

Color	Mr.Hobby	Vallejo	Model Master	Tamiya	Humbrol
银色 Silver	H 8 8	997	1546	X11	11
透明红 Clear Red	H 90 47	934	—	X27	—
透明绿 Clear Green	H 94	936	—	X25	—
哑光黑色 Flat Black	H 12 33	950	1749	XF1	33
灰色 Medium Gunship Gray	H 305 305	868	1723	XF58	125



H 8 AQUEOUS HOBBY COLOR

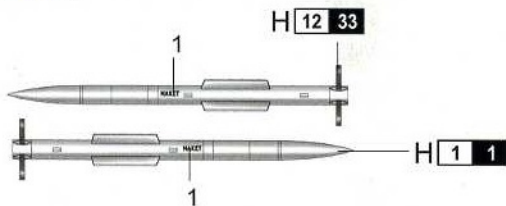
Mr. COLOR

PAINT REFERENCE COLOUR

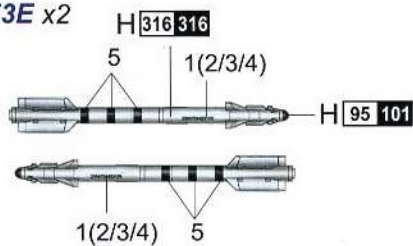
Color	Mr.Hobby	Vallejo	Model Master	Tamiya	Humbrol	Color	Mr.Hobby	Vallejo	Model Master	Tamiya	Humbrol
White 白色	H 1 1	842	1745	XF2	22	Smoke Blue 烟灰色	H 95 101	—	—	—	—
Red 红色	H 3 3	908	1503	X7	19	White 白色	H 316 316	991	1745	X2	22
Gray 灰白色	H 61 35	907	1731	—	146	Flat Black 黑(哑光)	H 12 33	950	1749	XF1	33

涂装同标贴指示
Painting & Marking guide

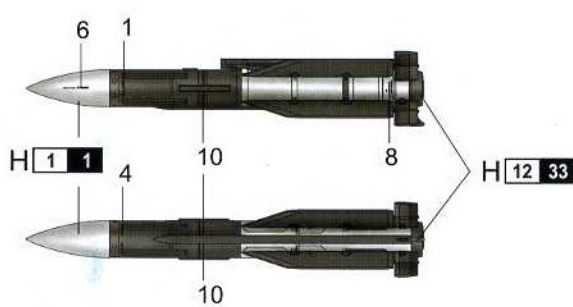
R-77 x2



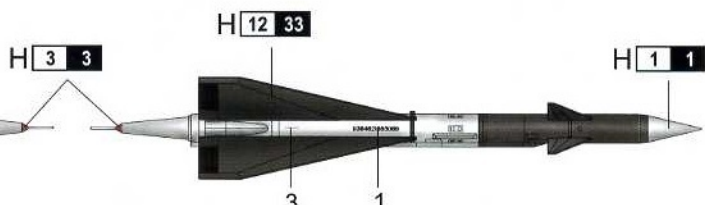
R-73E x2



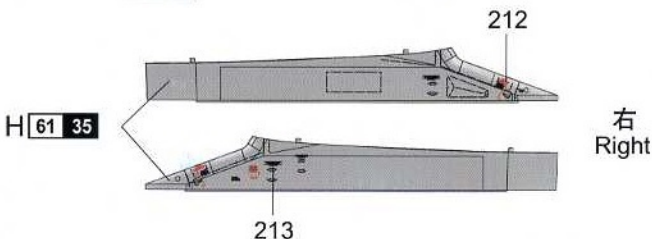
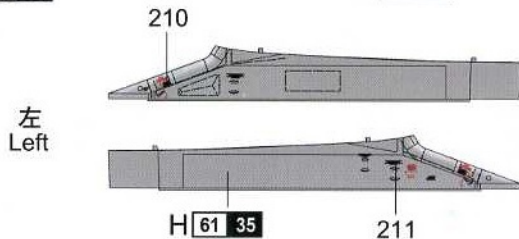
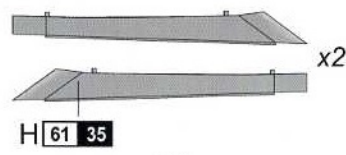
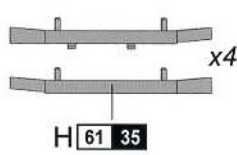
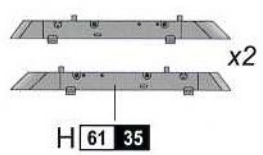
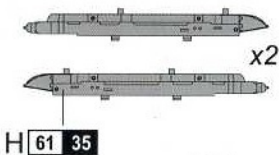
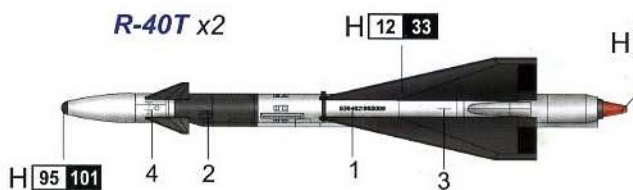
R-33 x4



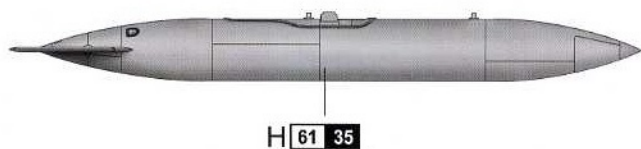
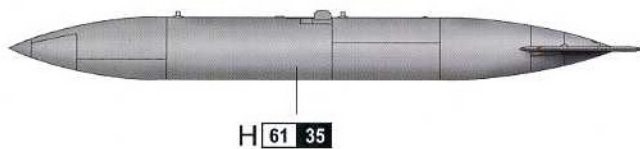
R-40R x2



R-40T x2



Fuel Tank x2



H [X] AQVEOUS HOBBY COLOUR X MR.COLOUR