

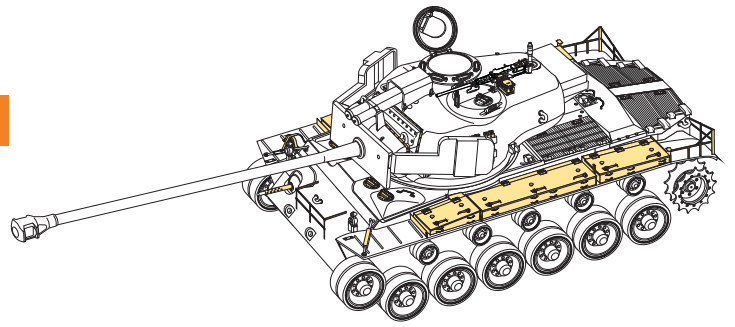
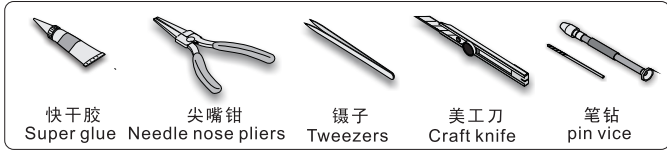
1/35 MILITARY MINIATURE VEHICLE UPGRADE SERIES PE35376

WWII US Army T26 E4 Super Pershing Tank

二战美军T26E4 超级潘兴中型坦克改造件

[For hobby boss 82426]

推荐使用工具 RECOMMENDED TOOLS



- 安装
install
- 折叠
bend
- A1**

改造件零件编号
PE/resin part number
- B12**

原零件编号
kit part number
- C22**

被替换的原零件编号
replaced kit part number
- 另一侧相同制作
repeat on opposite side
- 切除
remove
- 钻孔
drill
- 弧度卷曲
radial bending
- x2**

制作若干组
multiple assembly
- 选择安装
alternative
- 用铜管制作
make from brass tube
- 用胶棒制作
make from plastic rod

用尖端在凹槽处冲压
use penpoint to press on the dent

蚀刻片零件内侧面向上
Put the part upside down

用笔尖在凹槽处刺
Use penpoint to press on the dent

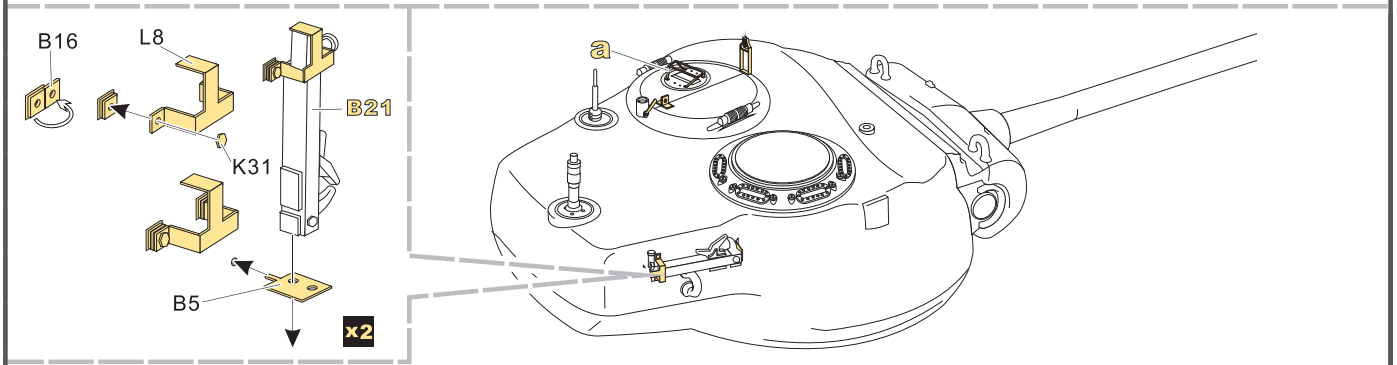
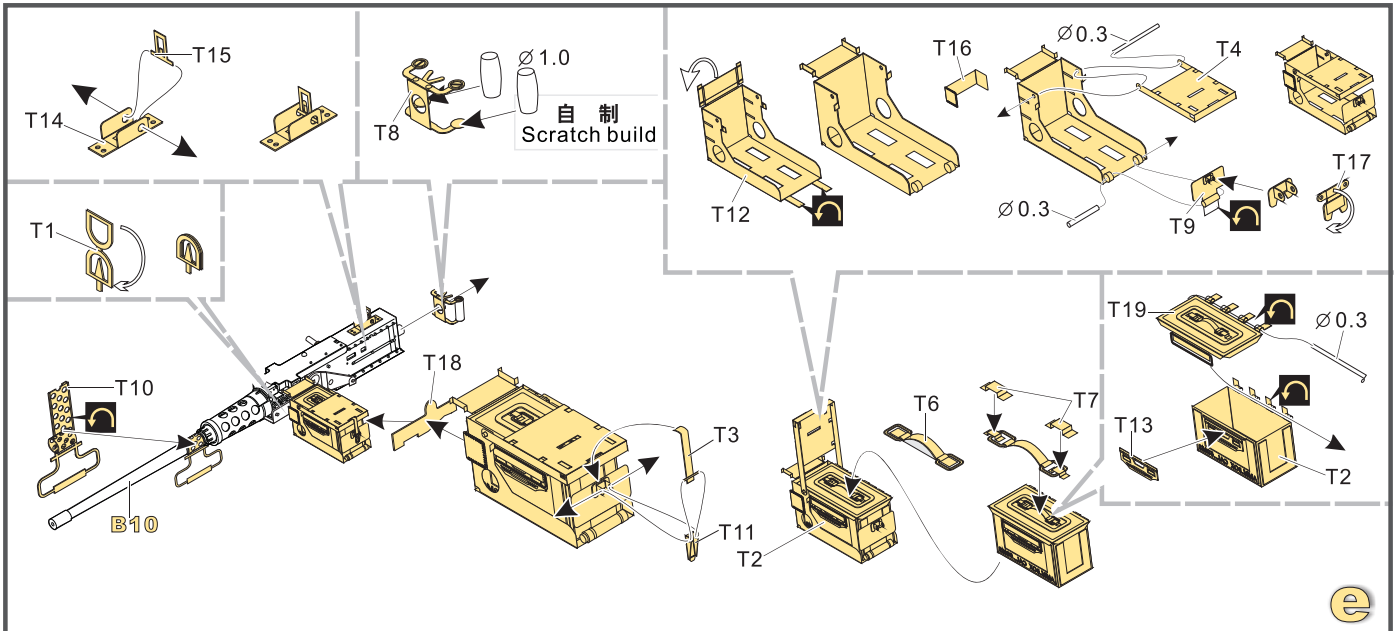
a

b

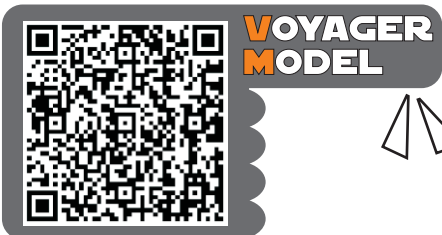
c

d

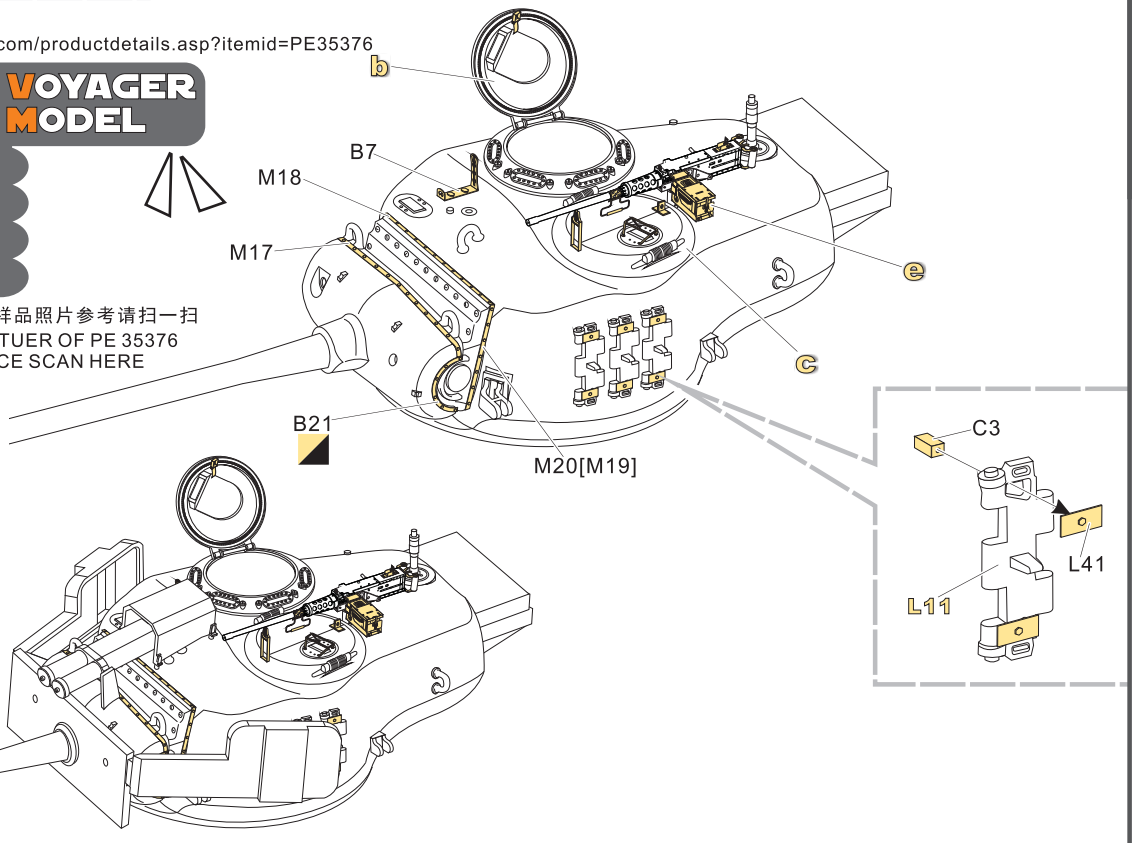
1/35 MILITARY MINIATURE VEHICLE UPGRADE SERIES PE35376



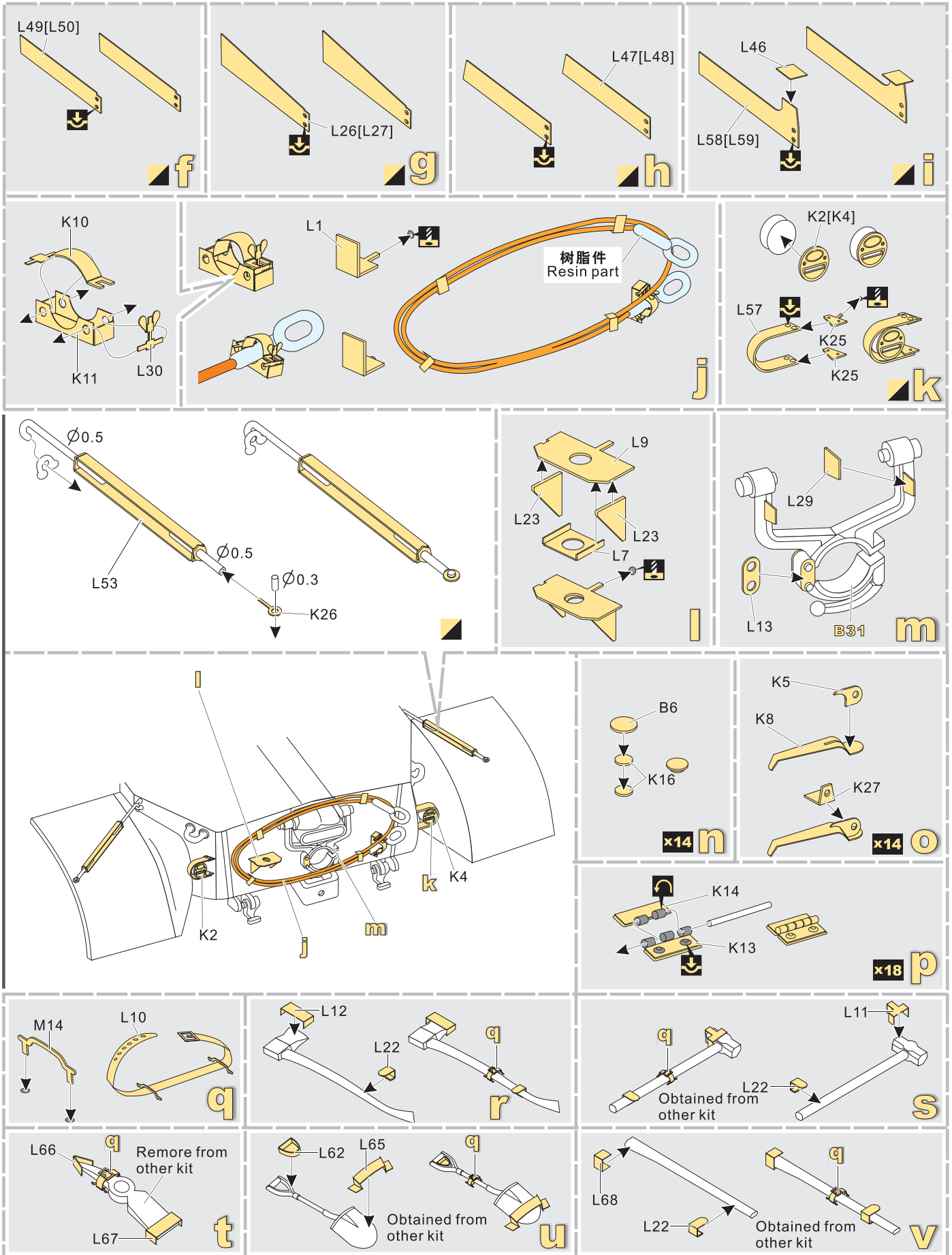
[Http://www.voyagermodel.com/productdetails.asp?itemid=PE35376](http://www.voyagermodel.com/productdetails.asp?itemid=PE35376)



更多PE35376样品照片参考请扫一扫
MORE PICTUER OF PE 35376
REFERENCE SCAN HERE



1/35 MILITARY MINIATURE VEHICLE UPGRADE SERIES PE35376



1/35 MILITARY MINIATURE VEHICLE UPGRADE SERIES PE35376

