

BMD-4 Airborne Infantry Fighting Vehicle

BMD-4伞兵战车

READ BEFORE ASSEMBLY:

- Study and understand these instructions thoroughly before beginning assembly
- When needed, remove photo-etch parts carefully using a modeling knife or photo etch sprue cutter, being careful not to damage or lose small parts.
- Take extra care in handling photo-etch parts in order to avoid injury
- Apply instant cement sparingly to photo etch parts where instructed
- Tools recommended(not included in kit):Plastic and instant cements, sprue cutters,long nose pliers,modeling knife, small files, tweezers, pin vise & scissors. Soft cloth and sandpaper will also assist in construction
- Glue and paint are not included in the kit. Use plastic cement and hobby paints only. Color guide for purchasing paint is included in the kit.

装配之前仔细阅读

- 小心用模型锉刀锉平所有零件表面的注射浇口。
- 小心用刀片切下蚀刻片零件，不要遗失小零件。
- 用强力快干胶水粘合蚀刻片零件和金属轴。过量快干胶水使用可能导致零件会粘住，小心溢胶。
- 取蚀刻片时应特别注意安全，防止利边划伤手指。
- 某些零件表面需贴上水贴纸，请选择在装配的同时进行。
- 推荐模型工具(自备)：胶水，水口剪刀，长咀钳，刀片，锉刀，镊子，钳，钻，剪刀，瞬间快干胶。
- 软布同砂纸同时也应该是必备工具。
- 请使用塑料胶水和油漆，模型内不含。



配重
Weight



使用强力胶
Cyanoacrylate glue



钻孔
Make hole



切除
Cut / Remove



贴纸
Decal



锉平
File / Sand



选择
Option



不涂胶水
No cement



弯曲
Bend



先装
Install it first

水贴纸的使用:

- 1.从水贴纸上剪下印花;
- 2.将印花放入温水中浸10秒, 然后放在干净布上.
- 3.拿着印花纸板将印花移到模型上;
- 4.手指蘸水将印花移到适当的位置;
- 5.用软布轻压印花直至水干, 汽泡消失

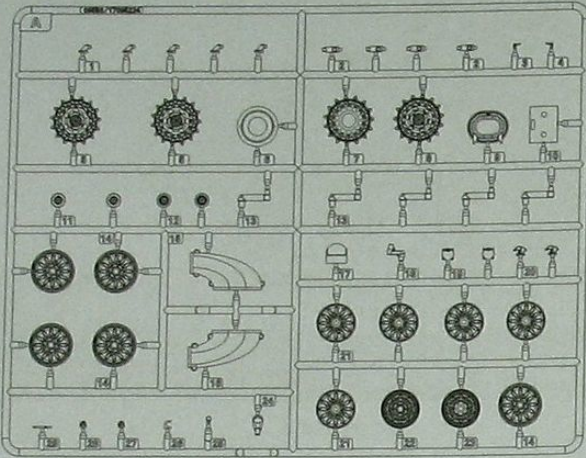
DECAL APPLICATION

- 1.Cut decals from sheet as needed
- 2.Dip the decal in warm water for about 10 seconds and then place on soft clean cloth.
- 3.Hold the decal backing sheet edge and gently slide the decal onto the model in its proper position.

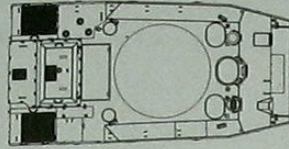
- 4.While still wet,decal can be adjusted for better fit on model by dampening it gently with your finger.
- 5.When placed in the proper position,gently press decal down with a soft cloth until excess water and air bubbles are gone.
- 6.Allow decal to dry completely before handling model

部品图
Parts

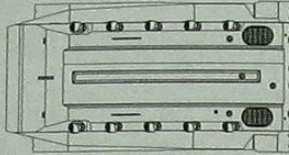
Ax2



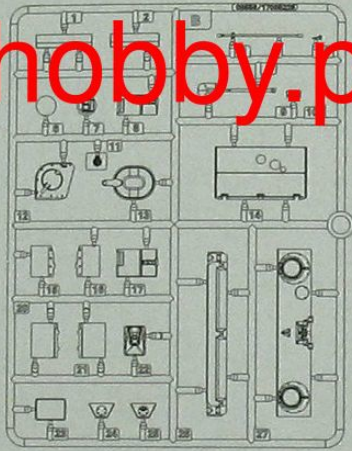
《车面》
Upper hull



《车底》
Lower hull



B



www.moje hobby.pl www.super-hobby.com

TRx90



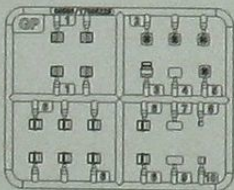
B28



B29



GP



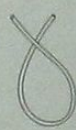
《蚀刻片》
PE



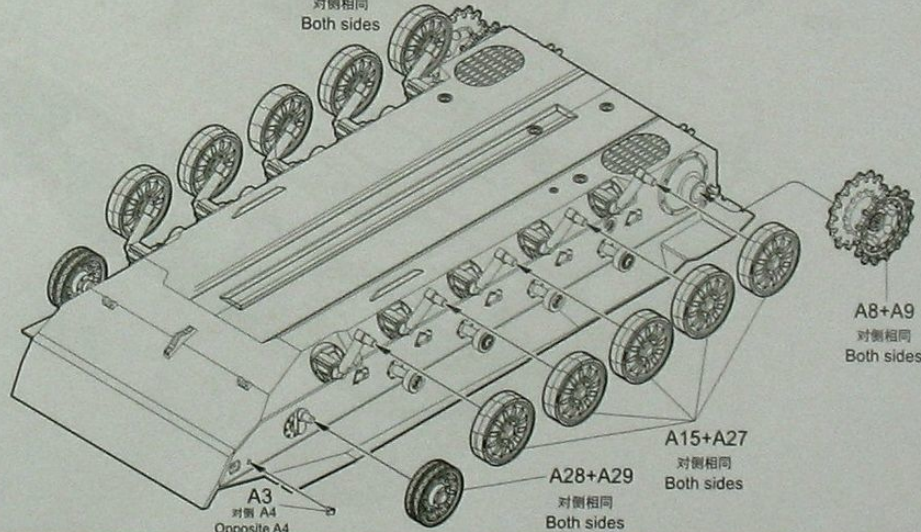
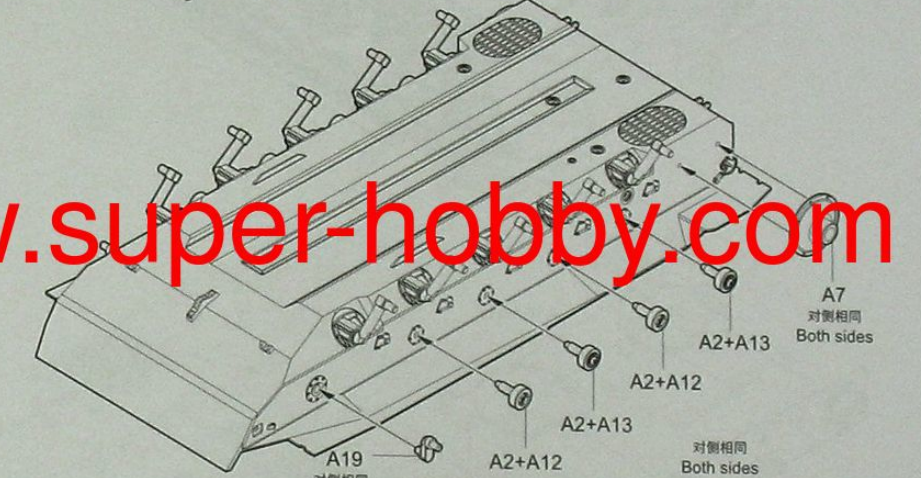
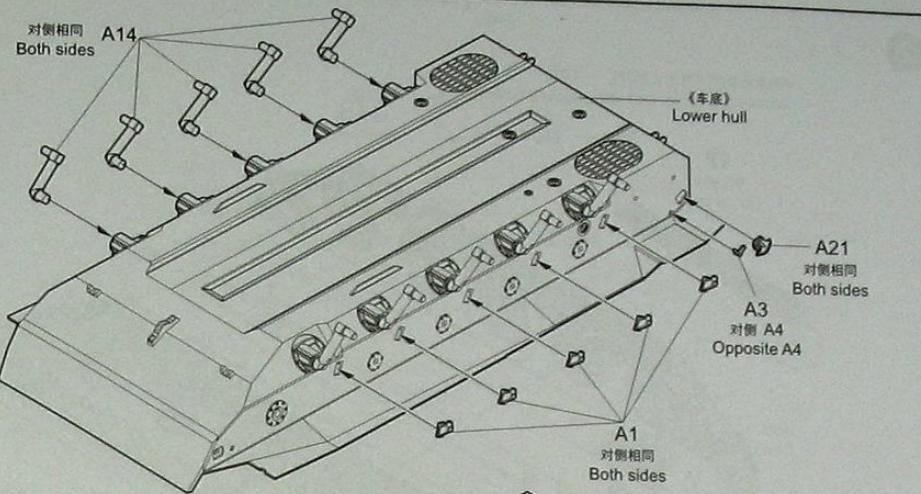
《水贴》
Decal



《铜线》
Brass wire

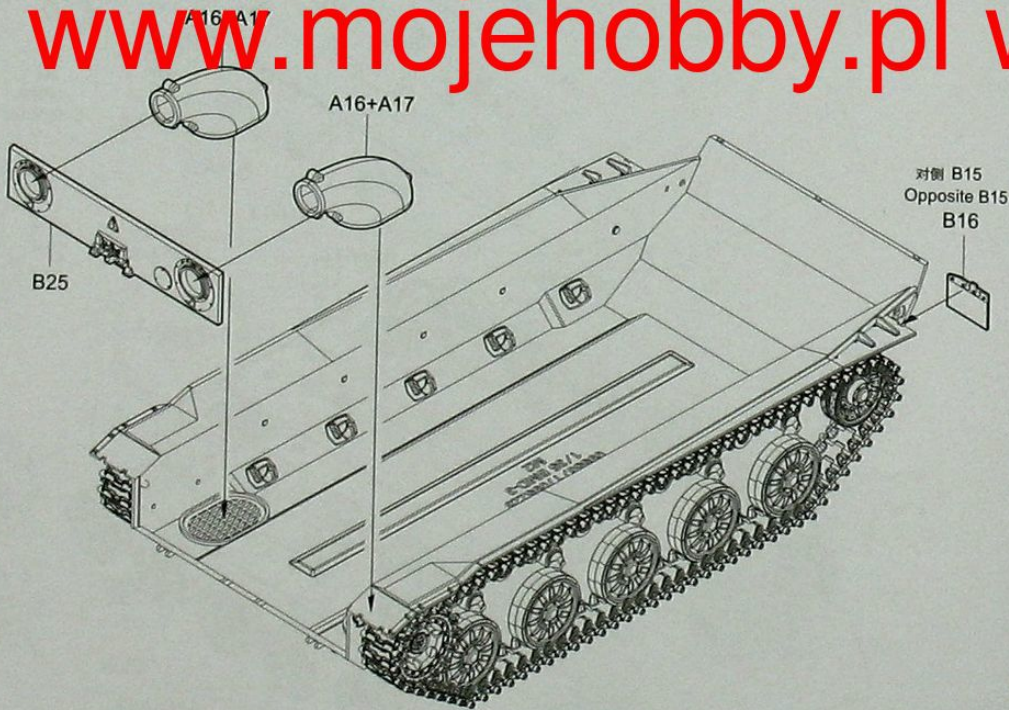
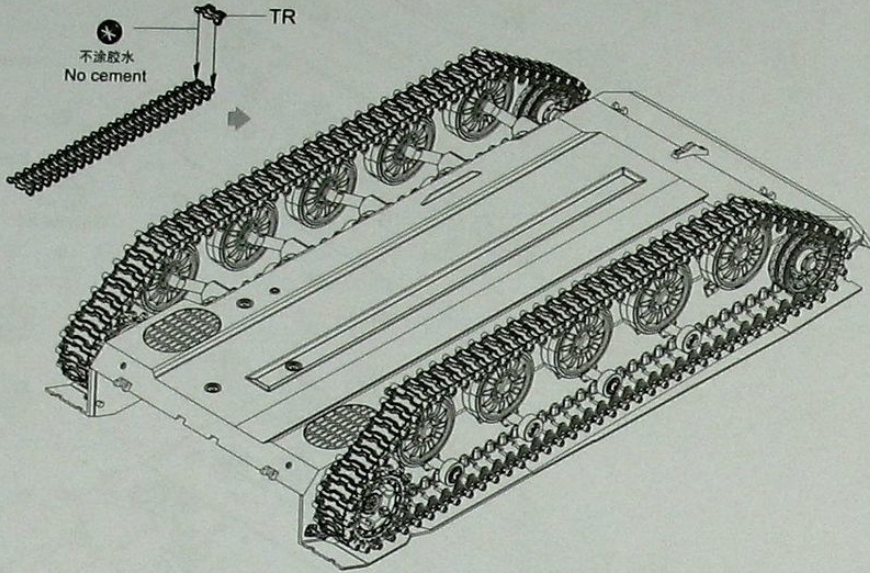


1

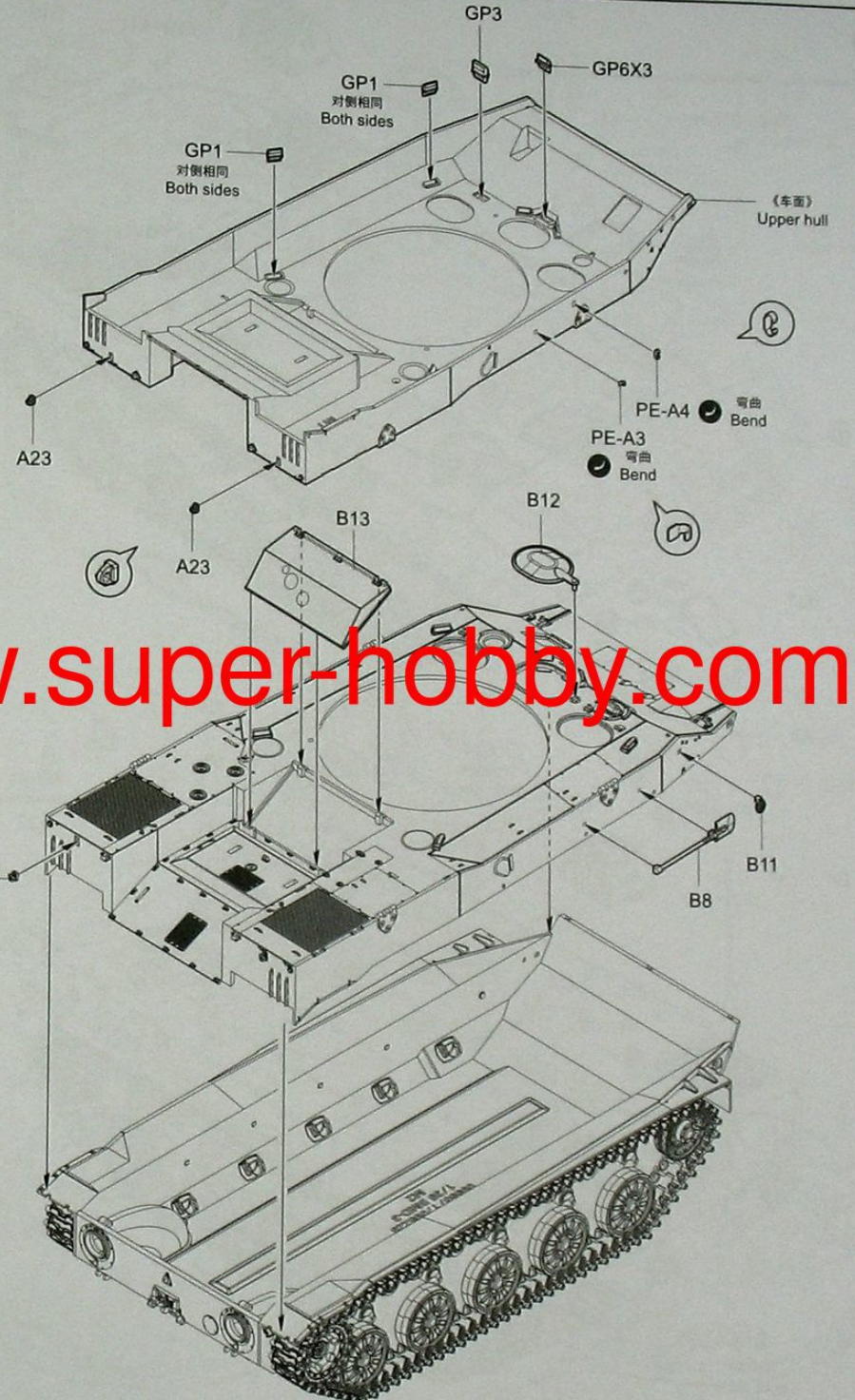


2

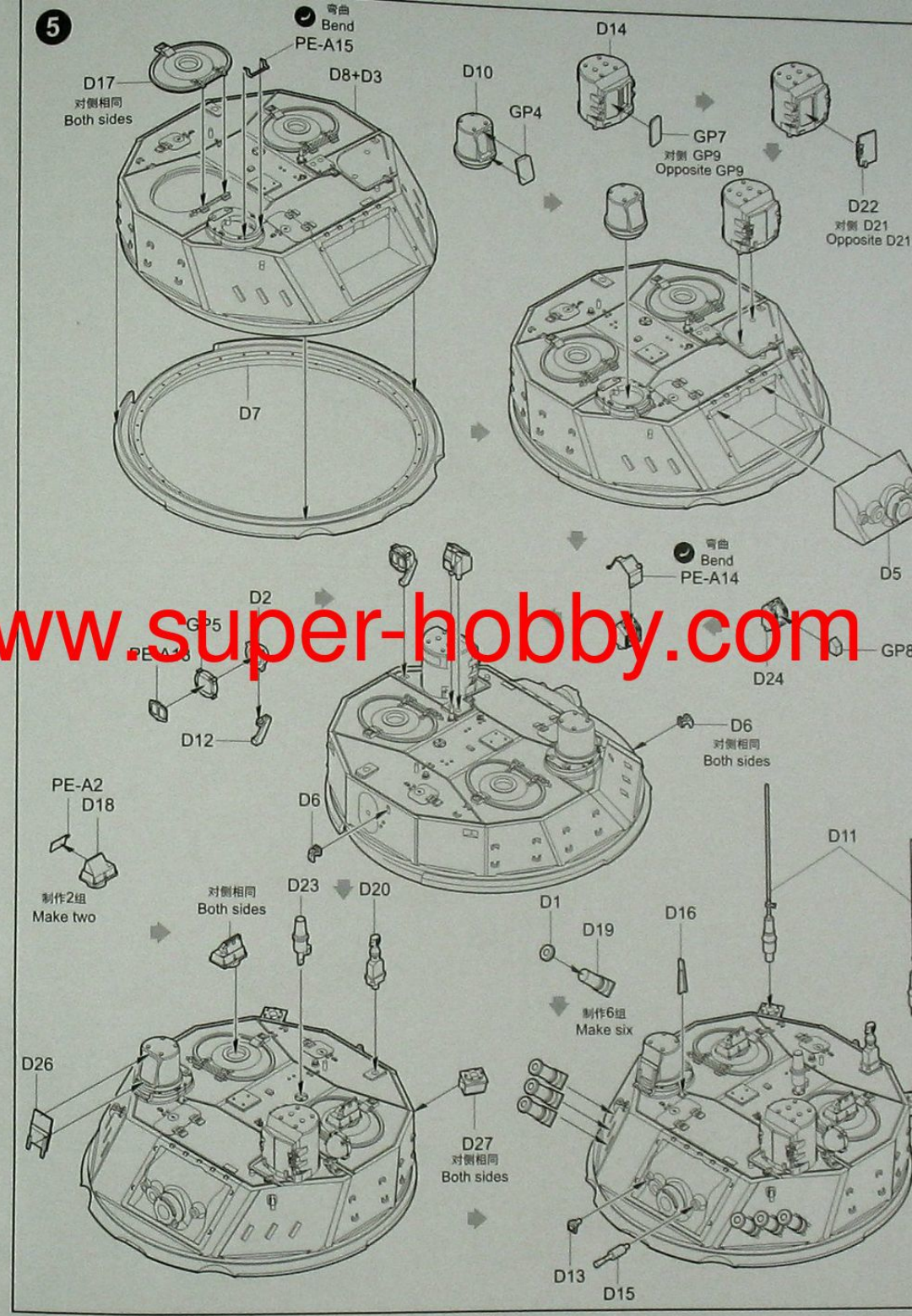
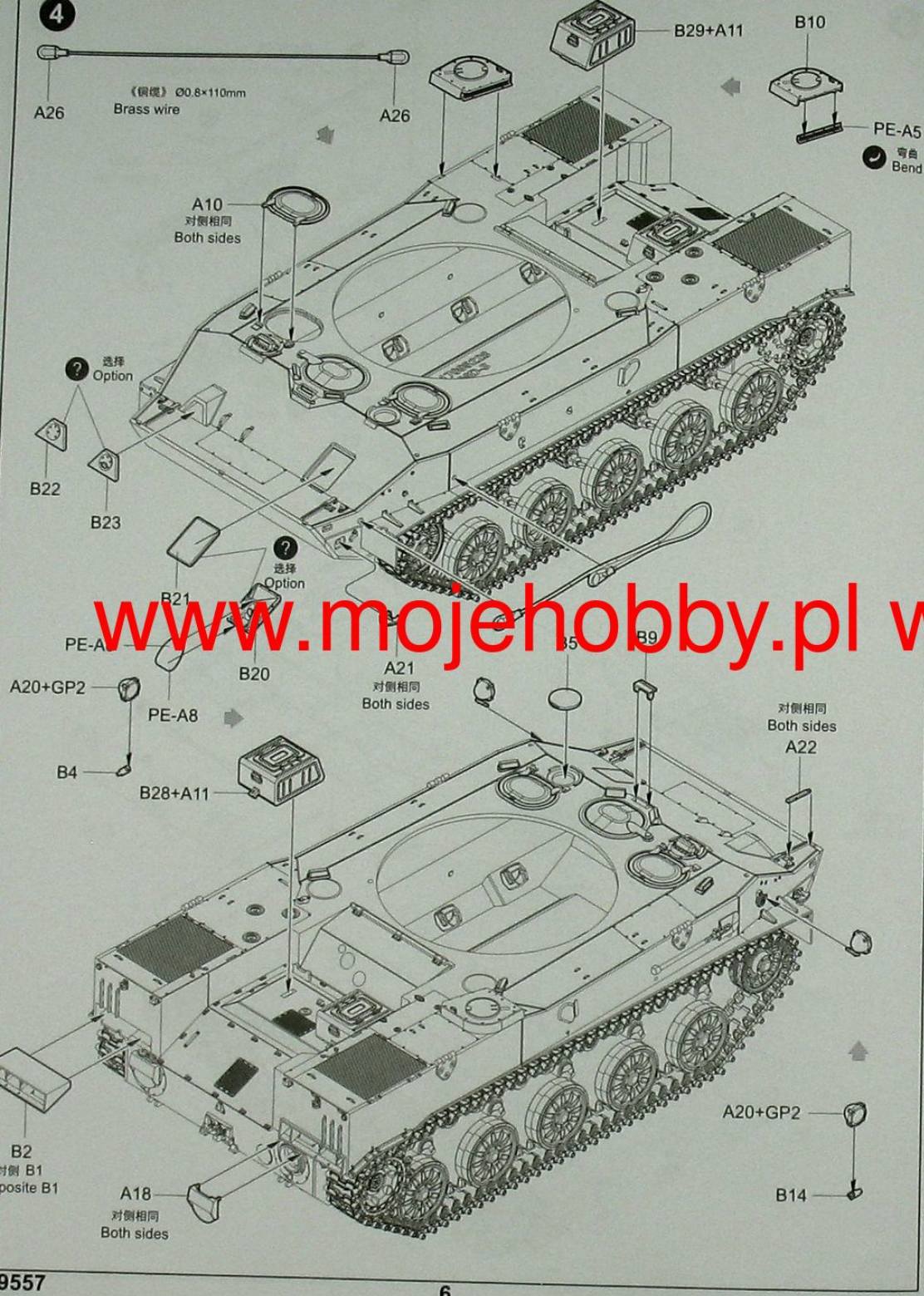
单侧履带需要84节
Complete track for one side requires 84 links.



3



www.mojehobby.pl www.super-hobby.com



www.mojehobby.pl www.super-hobby.com

6

对侧相同
Both sides

对侧相同
Both sides
A24

A25

B24

对侧相同
Both sides
A23

弯曲
Bend

PE-A11
对侧 PE-A12
Opposite PE-A12

B18

B19

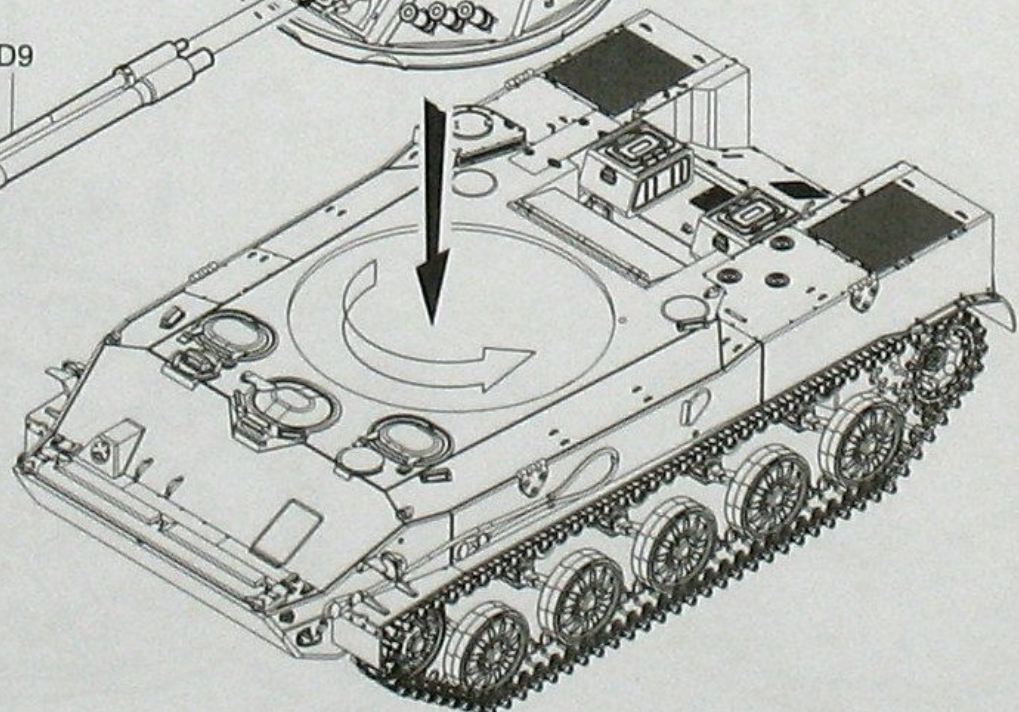
B3

7

www.mojehobby.pl www.super-hobby.com

D25
D9
D4

D9



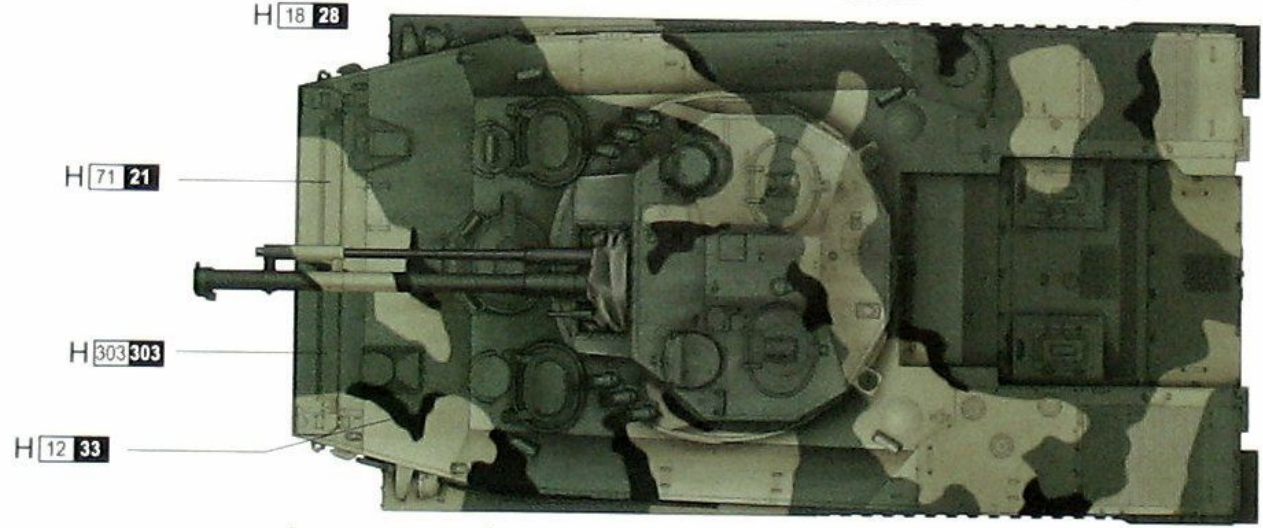
涂装同标贴指示 Painting & Marking guide

A

PAINT REFERENCE COLOR						
Color	Mr Hobby	Acrycion	Vallejo	Model Master	Tamiya	Humbrol
木棕色 Wood Brown	H 37 43	N 37	983	1701	—	186
灰色 Steel	H 18 28	N 18	—	1702	—	—
黑漆色 Tire Black	H 77 137	N 77	—	—	—	—
土黄色 Middle Stone	H 71 21	N 71	821	—	—	84
绿色 Light Green	H 303 303	N 303	—	1713	XF20	117
黑色 Flat Black	H 12 33	N 12	950	1749	XF1	33



www.moje hobby.pl www.super-hobby.com



H AQUEOUS HOBBY COLOR Mr. COLOR N ACRYCION COLOR