

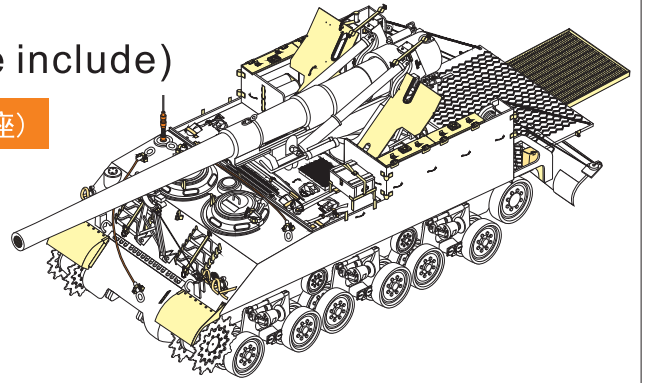
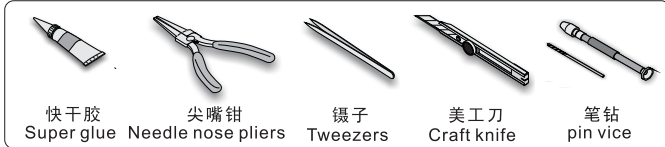
1/35 MILITARY MINIATURE VEHICLE UPGRADE SERIES PE35875

WWII US M40 SPG Basic (Antenna base include)

二战美军M40 自行榴弹炮改造基本件(含金属天线基座)

[For TAMIYA 35351]

推荐使用工具 RECOMMENDED TOOLS



- 安装
install
- 折叠
bend
- A1**

改造件零件编号
PE/resin part number
- B12**

原零件编号
kit part number
- C22**

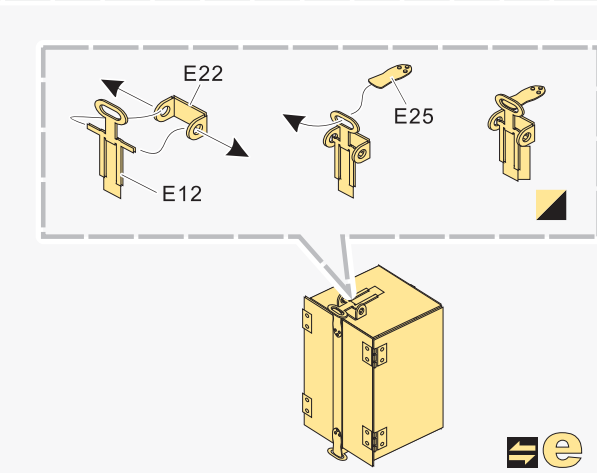
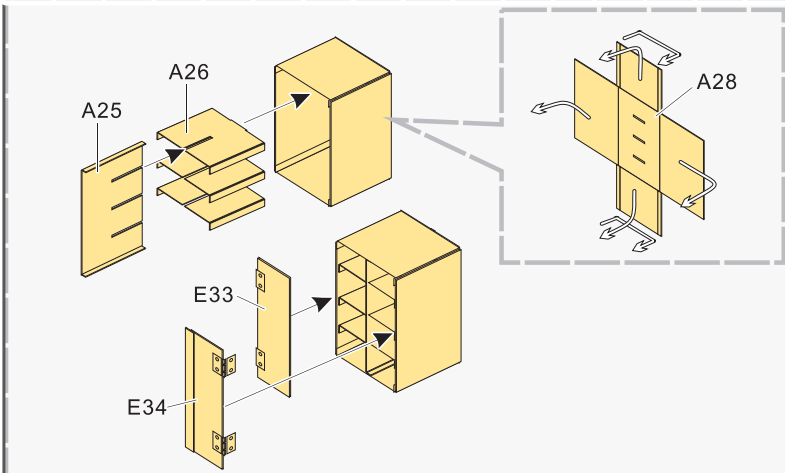
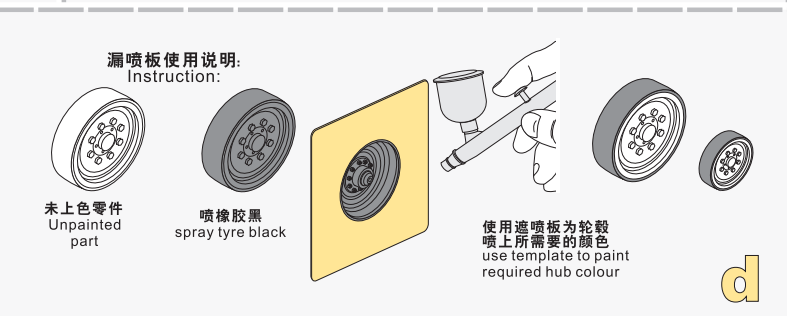
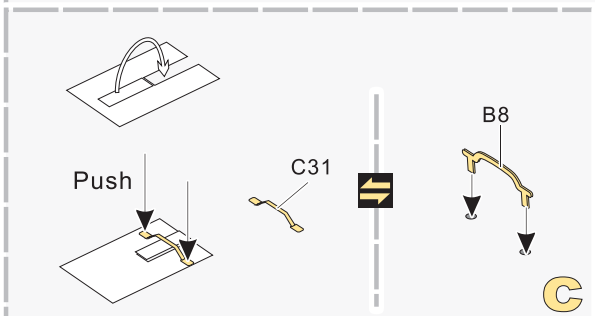
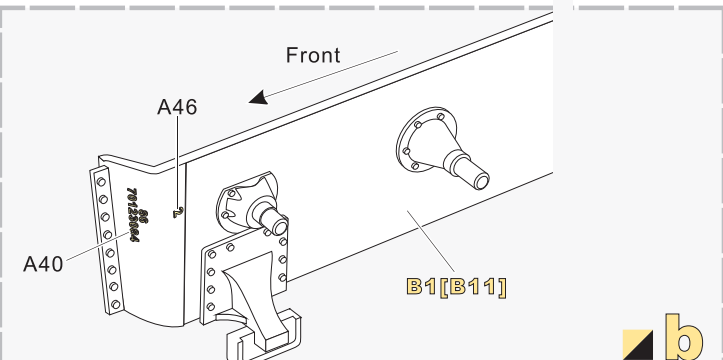
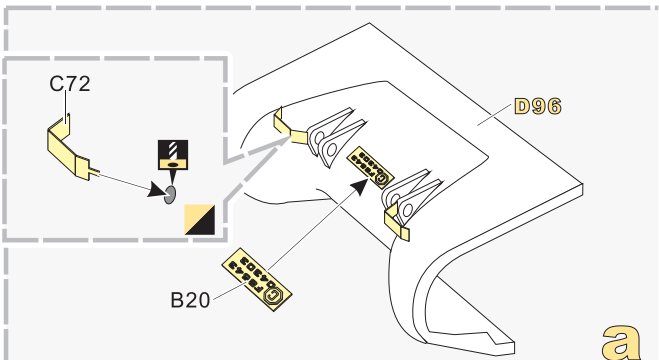
被替换的原零件编号
replaced kit part number
- 另一侧相同制作
repeat on opposite side
- 切除
remove
- 打磨
grind off
- 弧度卷曲
radial bending
- x2**

制作若干组
multiple assembly
- 选择安装
alternative
- 钻孔
drill
- 用胶棒制作
make from plastic rod

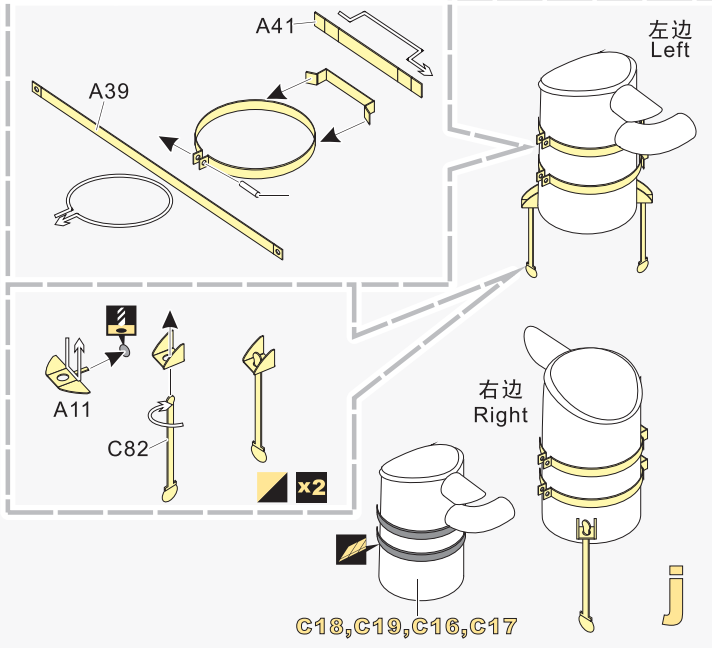
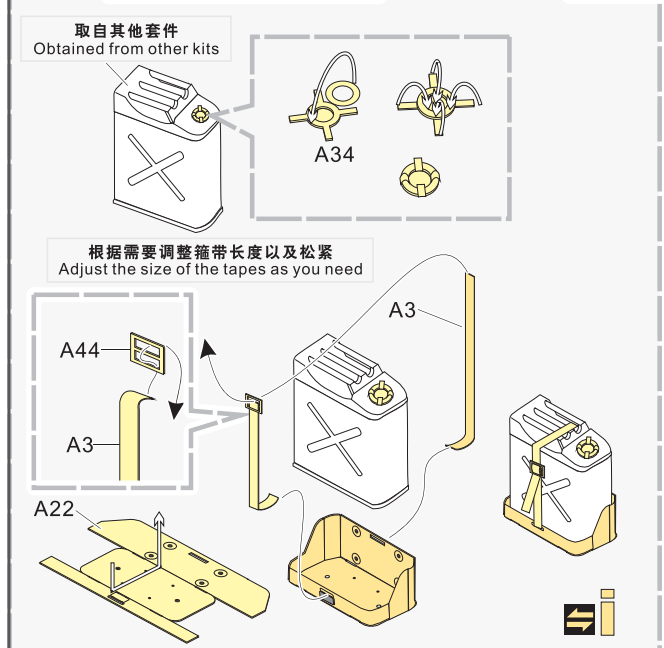
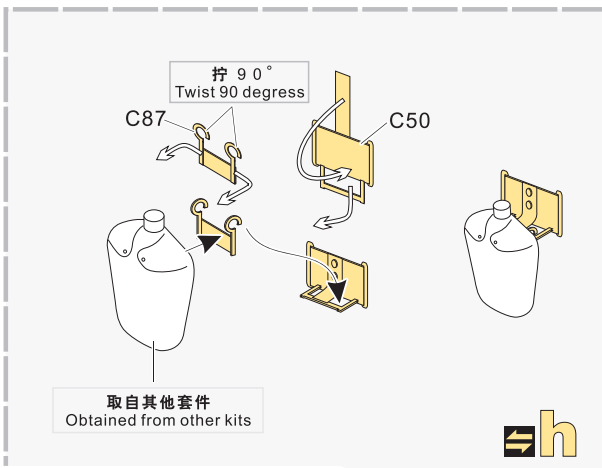
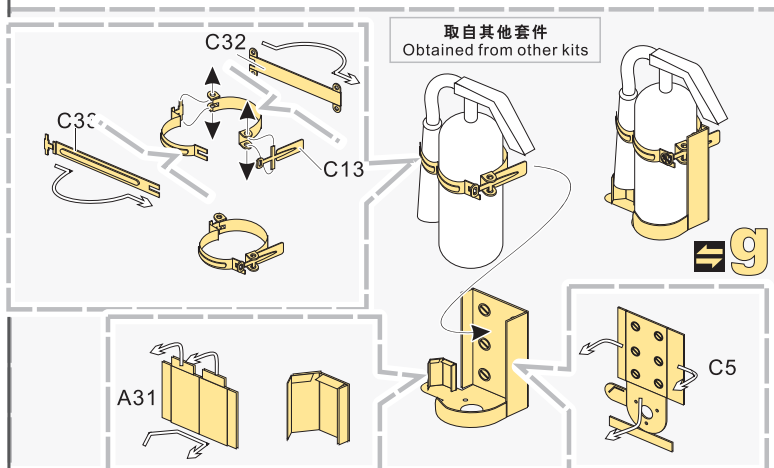
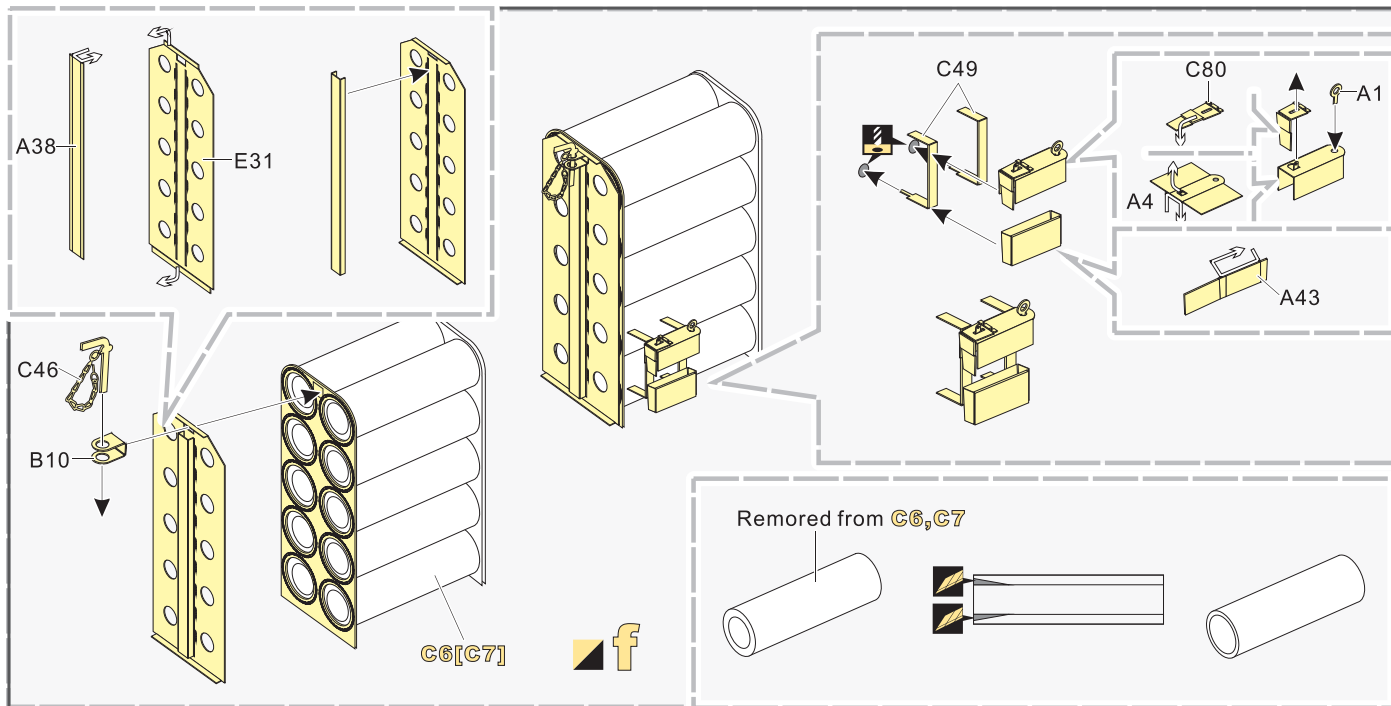
用尖端在凹槽处冲压
use penpoint to press on the dent

蚀刻片零件内朝面向上
Put the part upside down

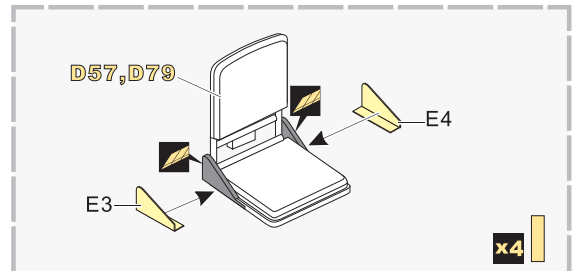
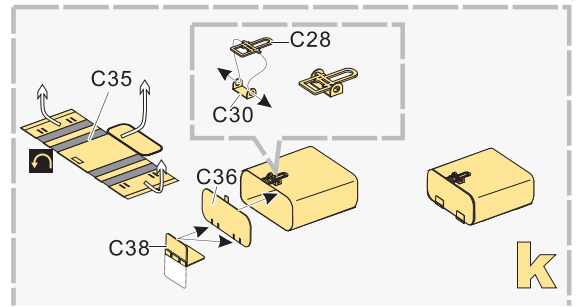
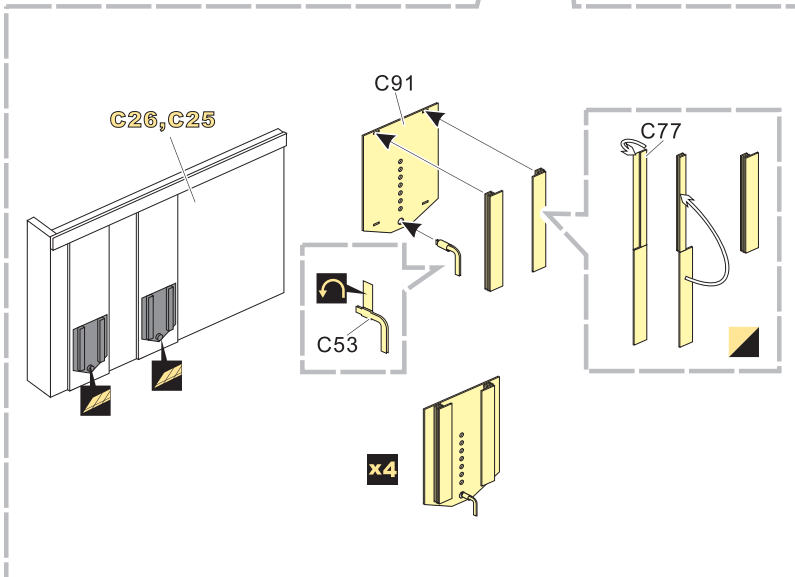
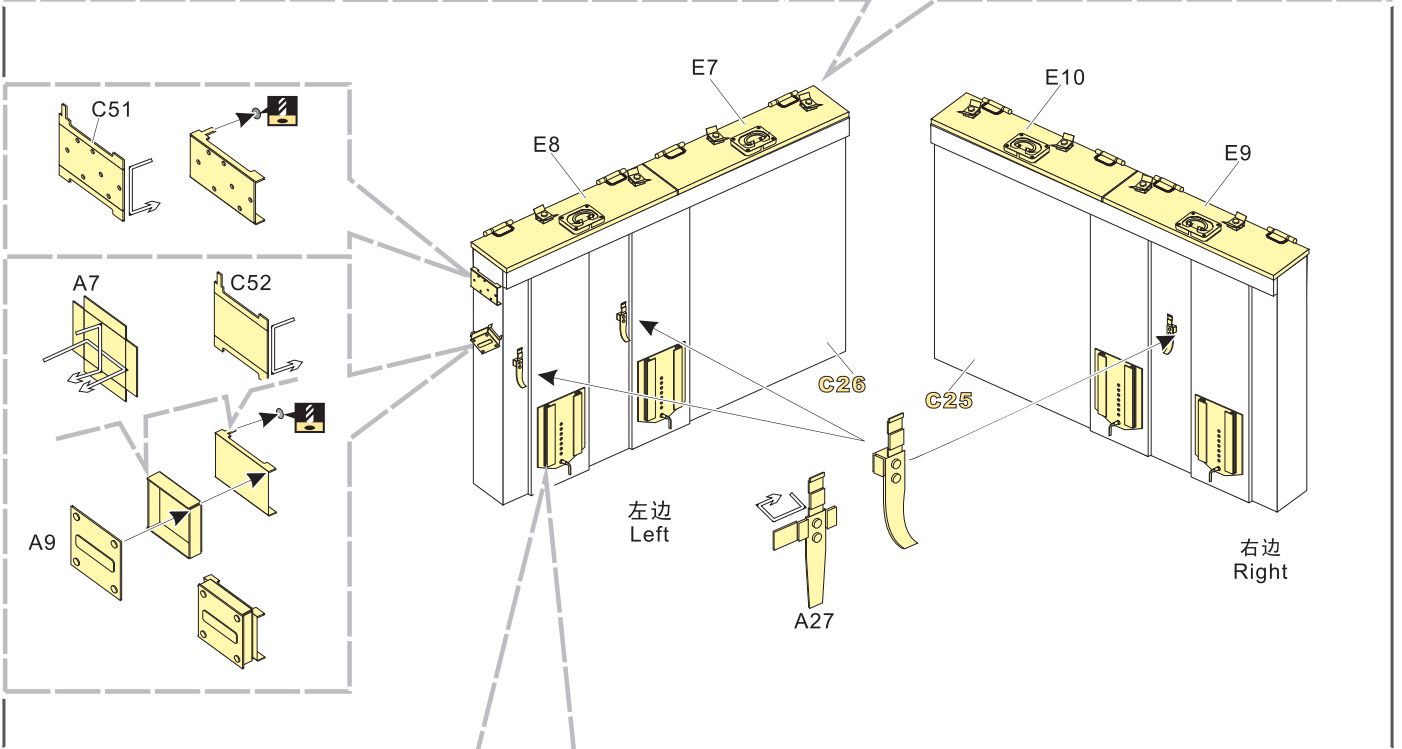
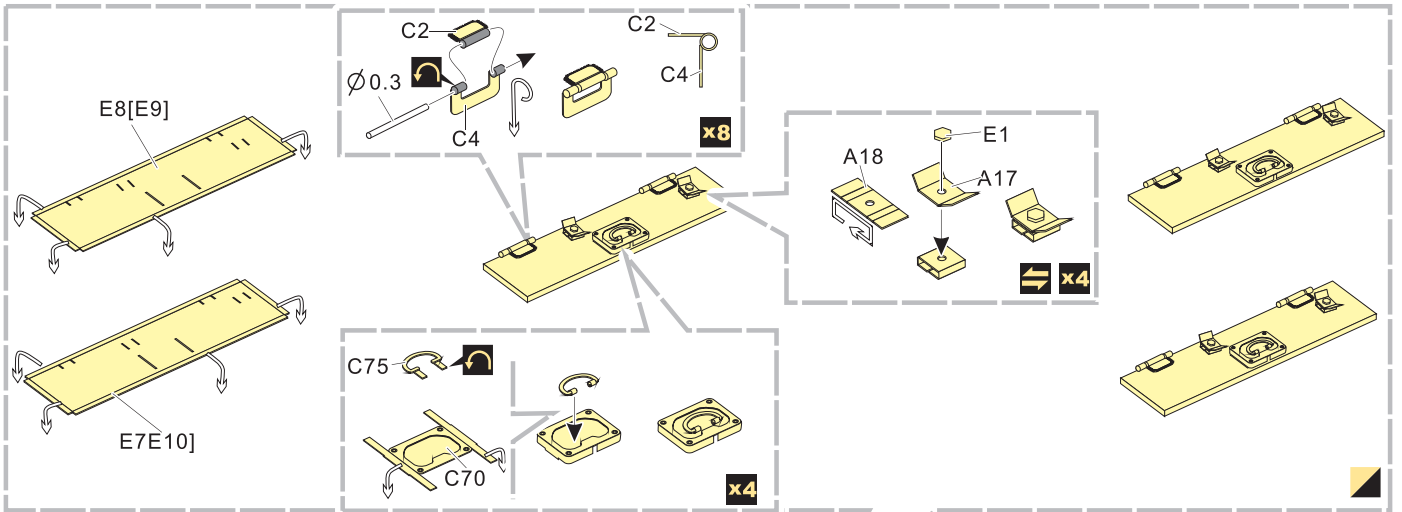
用笔尖在凹槽处刺
Use penpoint to press on the dent



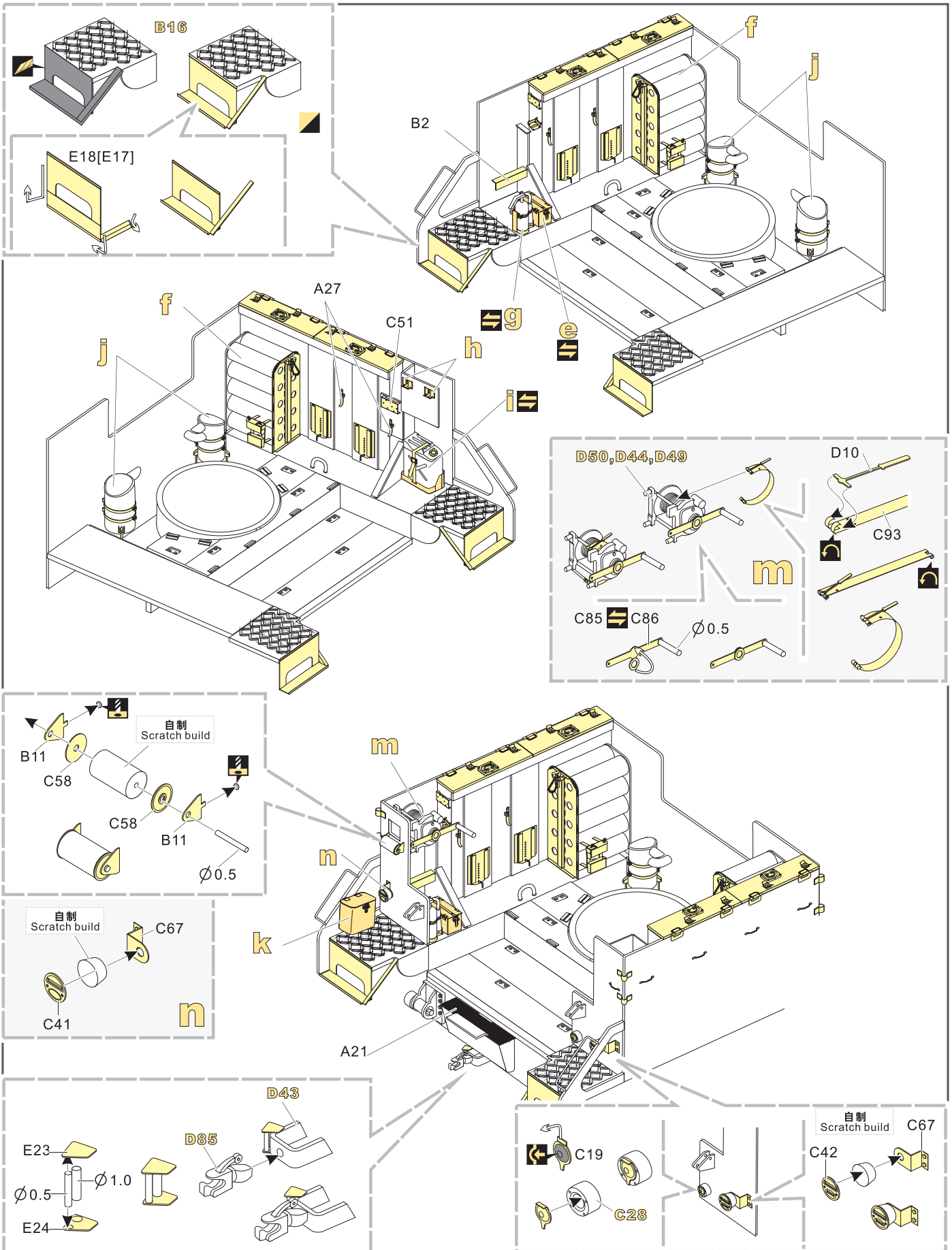
1/35 MILITARY MINIATURE VEHICLE UPGRADE SERIES PE35875



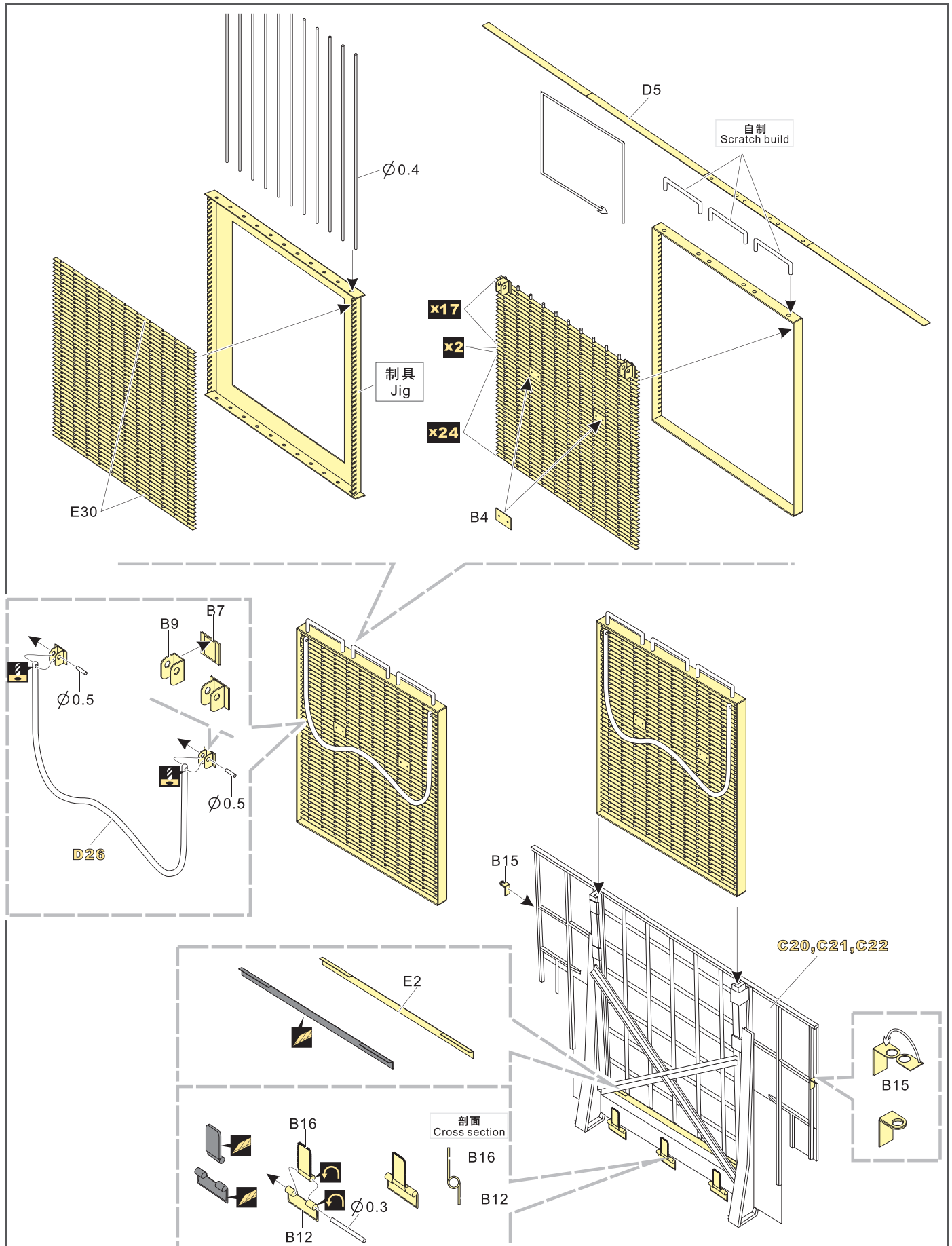
1/35 MILITARY MINIATURE VEHICLE UPGRADE SERIES PE35875



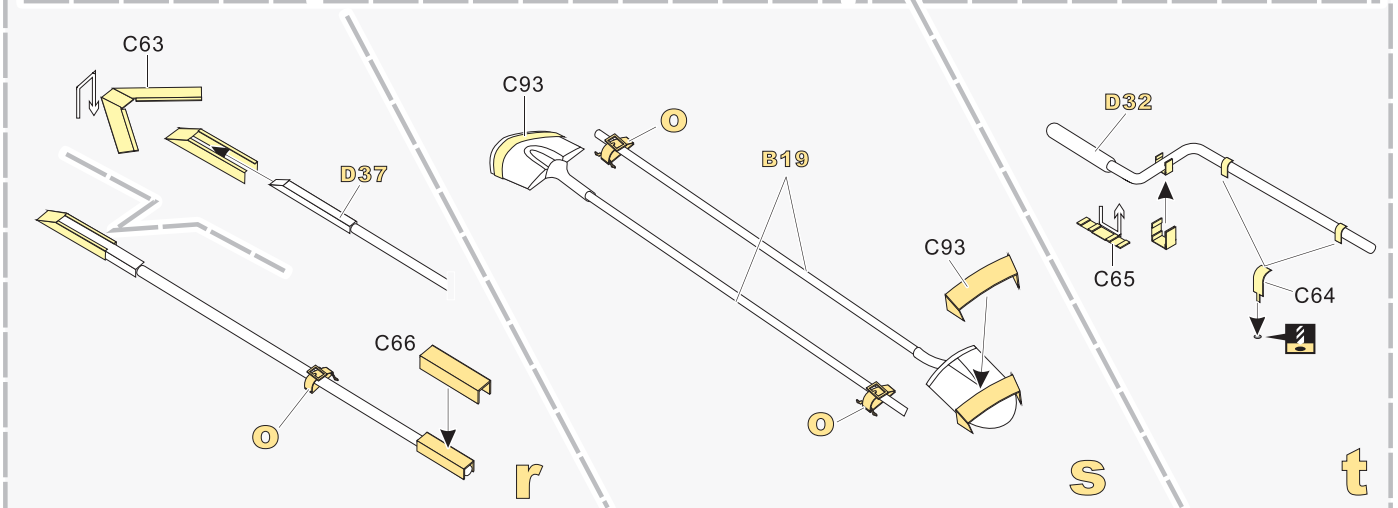
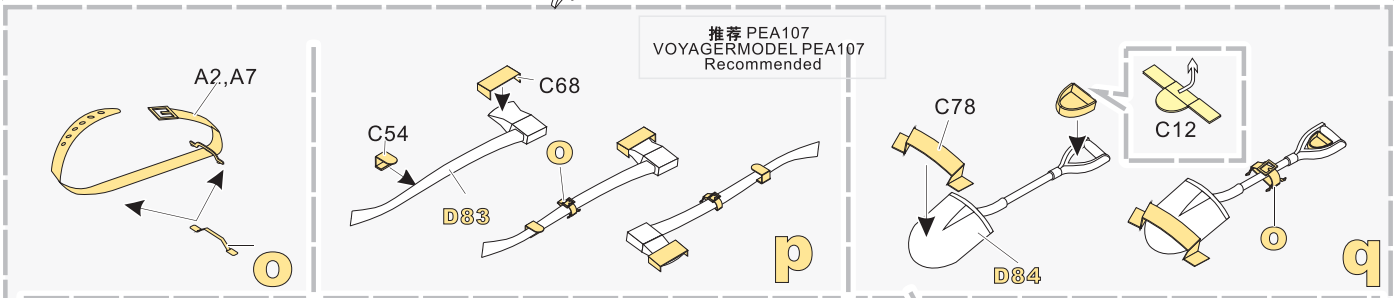
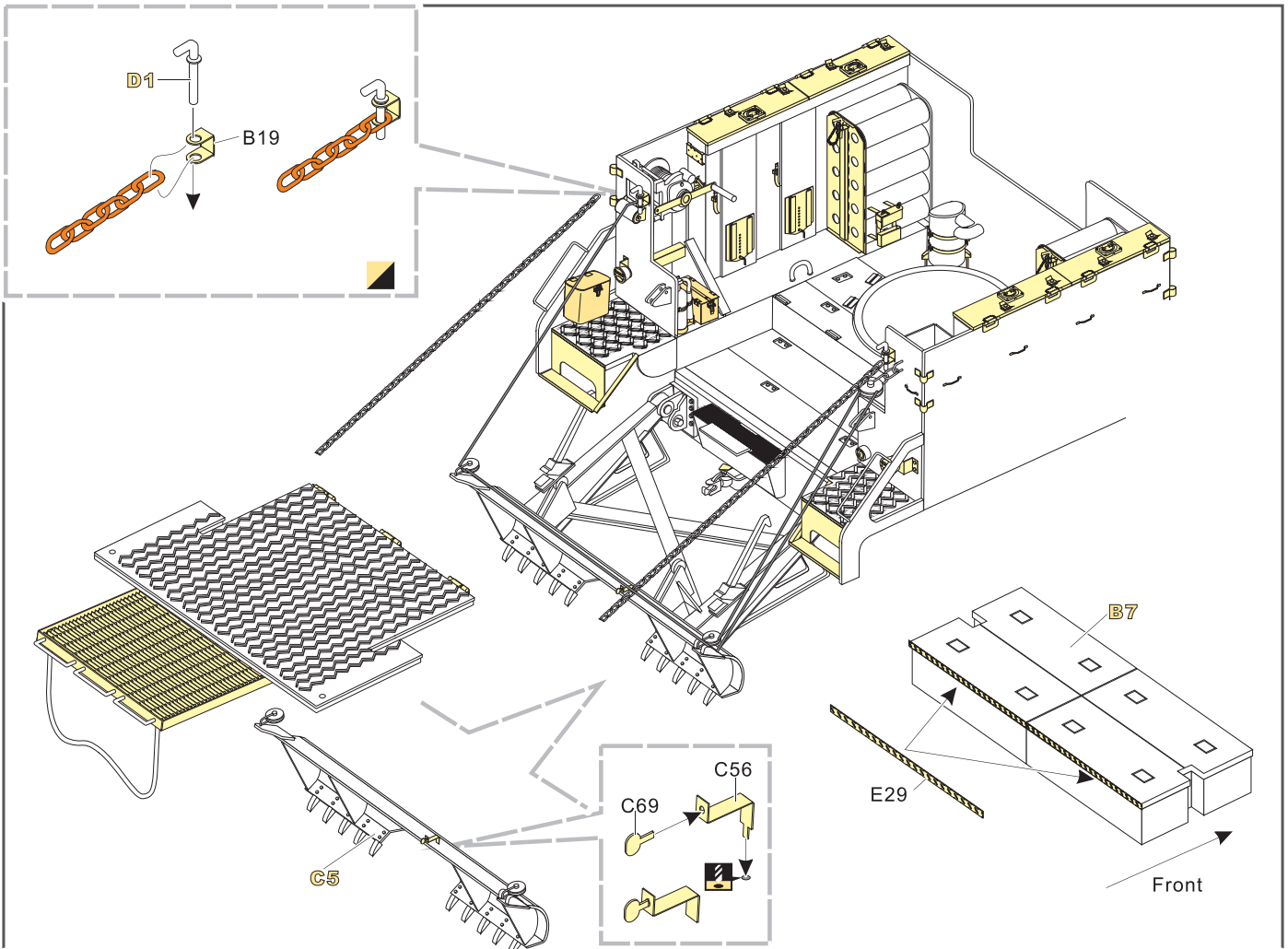
1/35 MILITARY MINIATURE VEHICLE UPGRADE SERIES PE35875



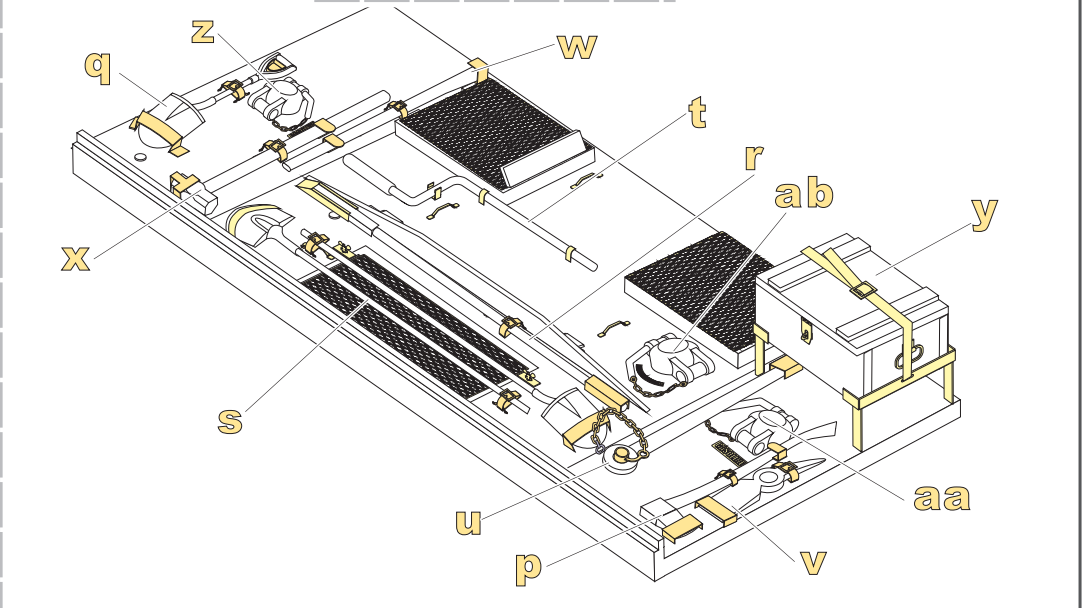
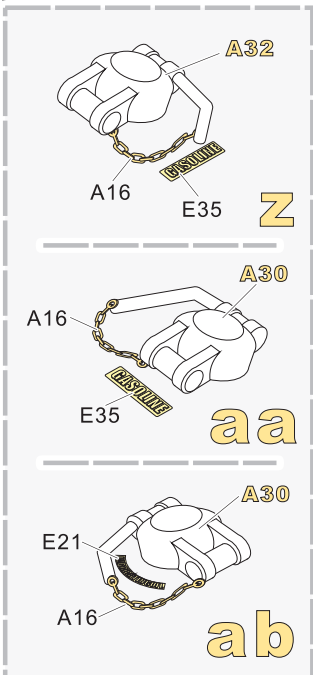
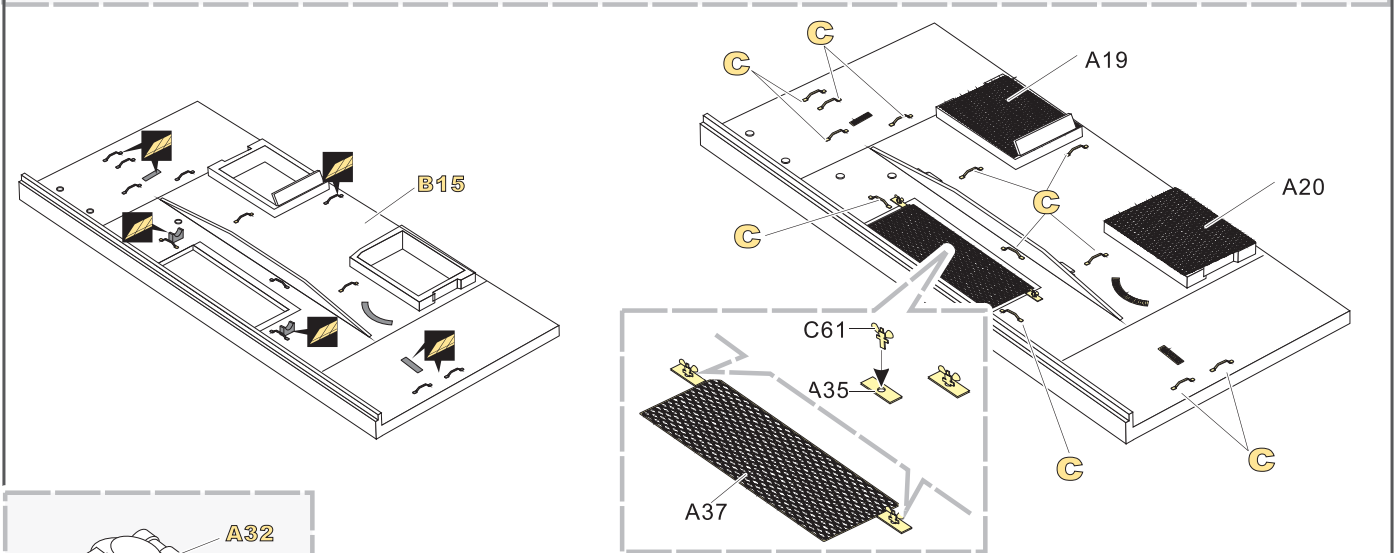
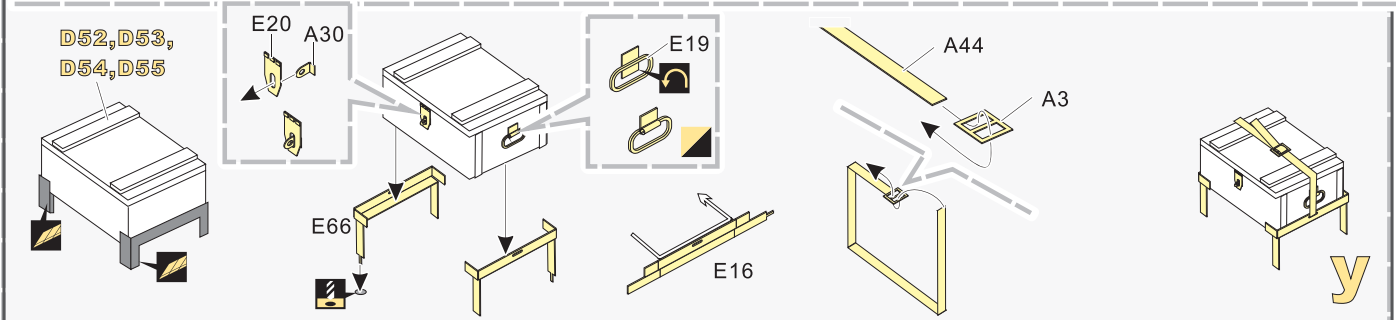
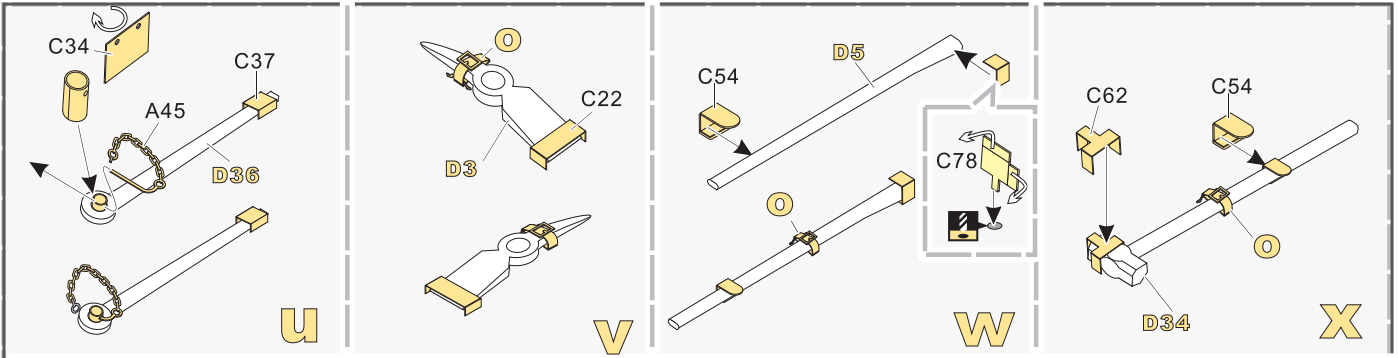
1/35 MILITARY MINIATURE VEHICLE UPGRADE SERIES PE35875



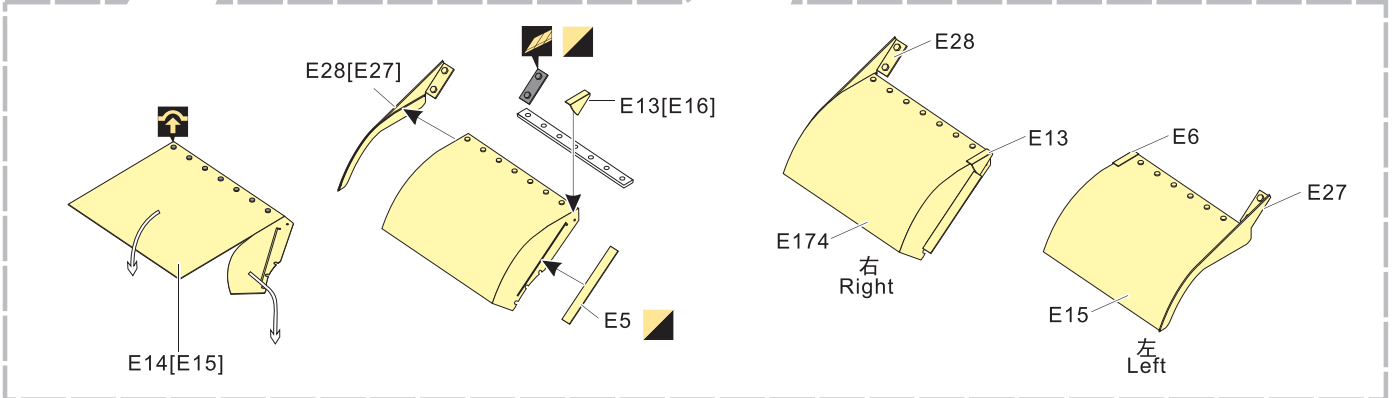
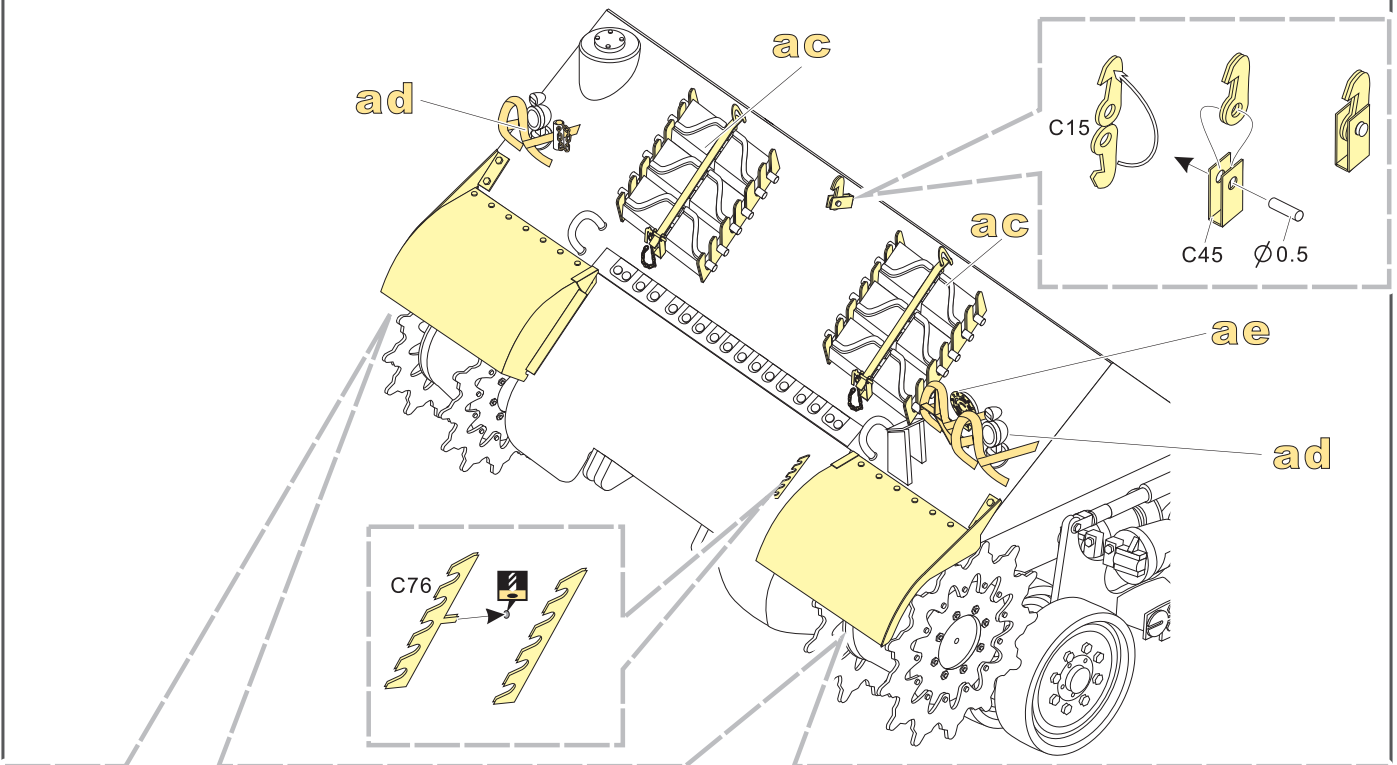
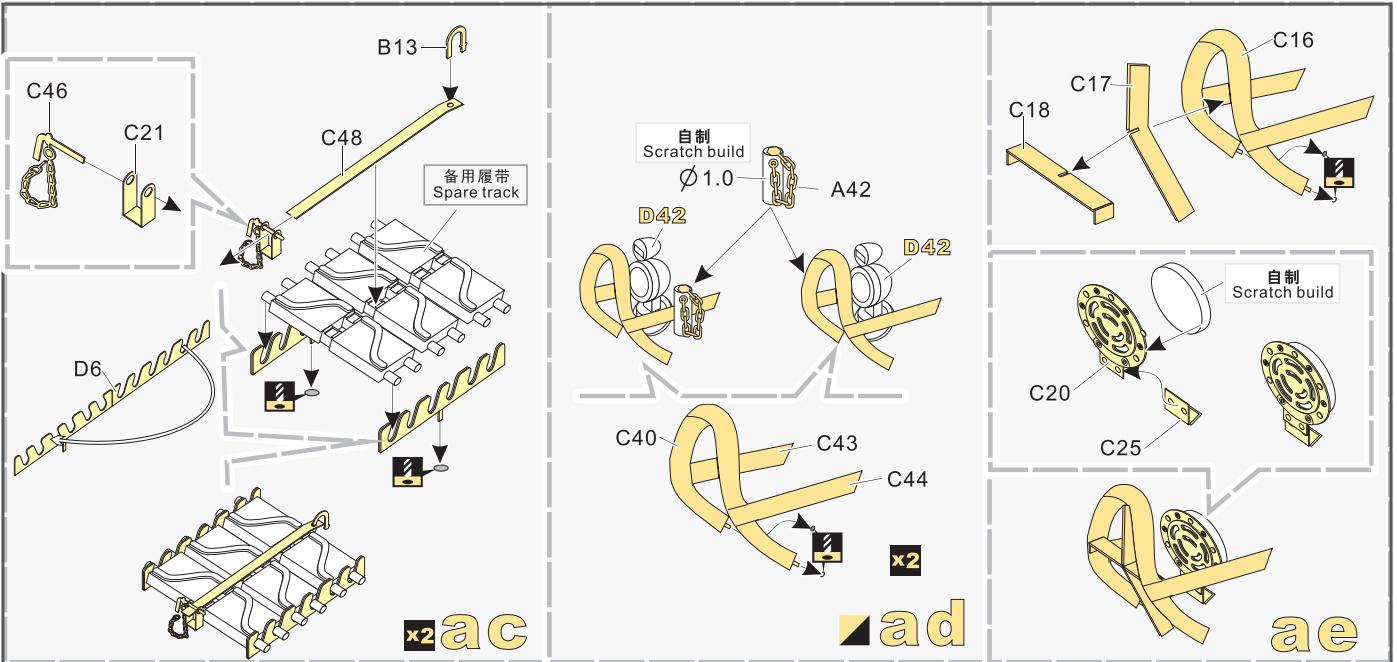
1/35 MILITARY MINIATURE VEHICLE UPGRADE SERIES PE35875



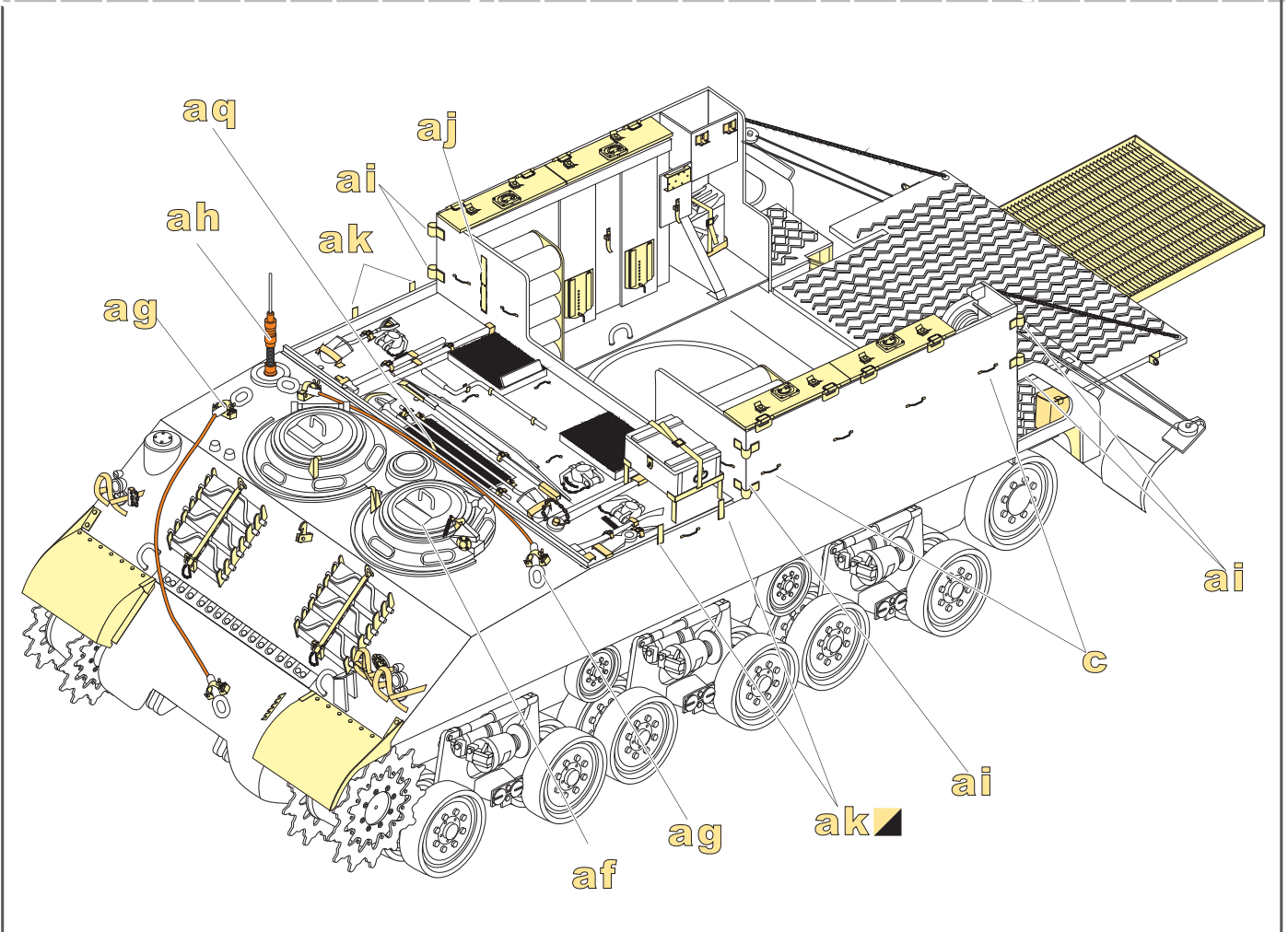
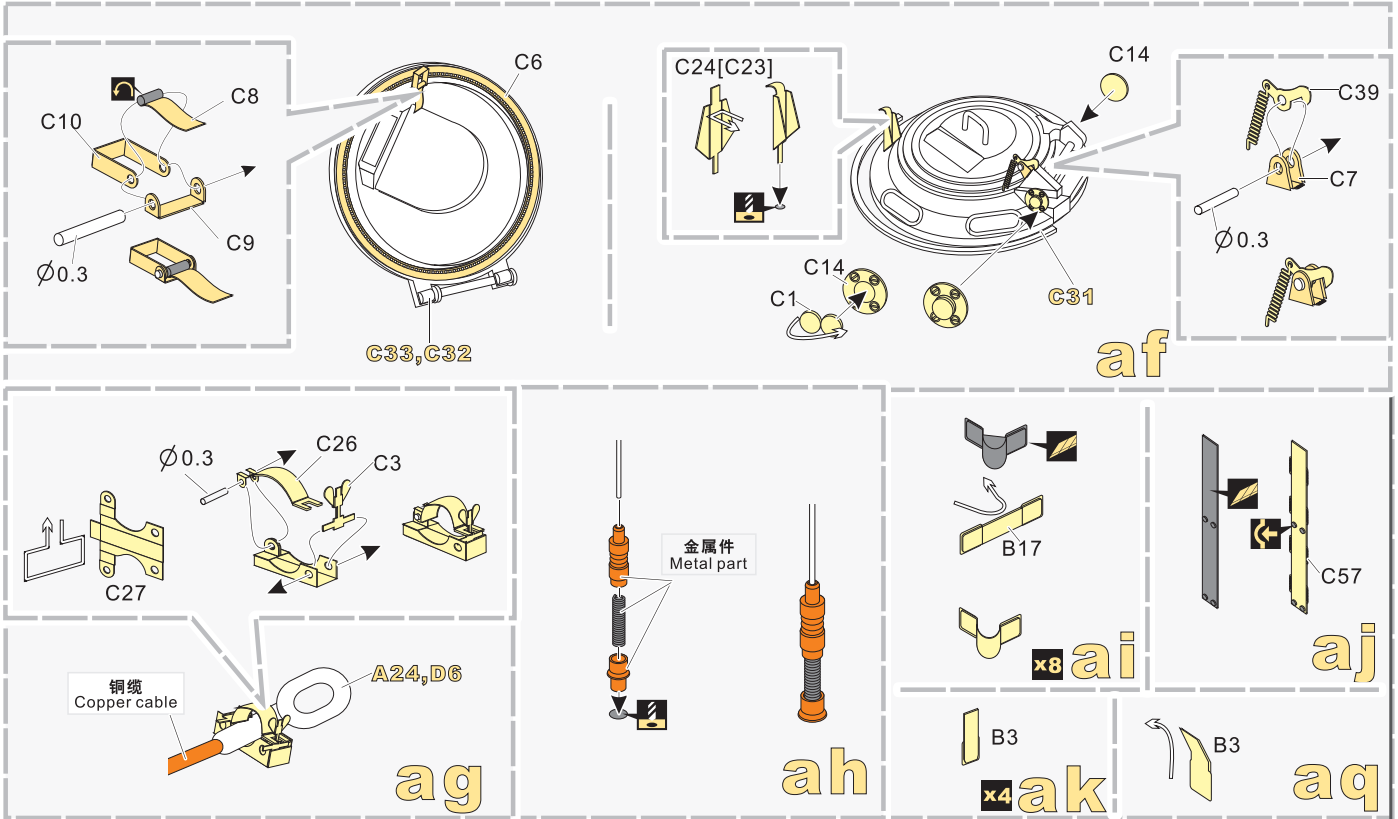
1/35 MILITARY MINIATURE VEHICLE UPGRADE SERIES PE35875



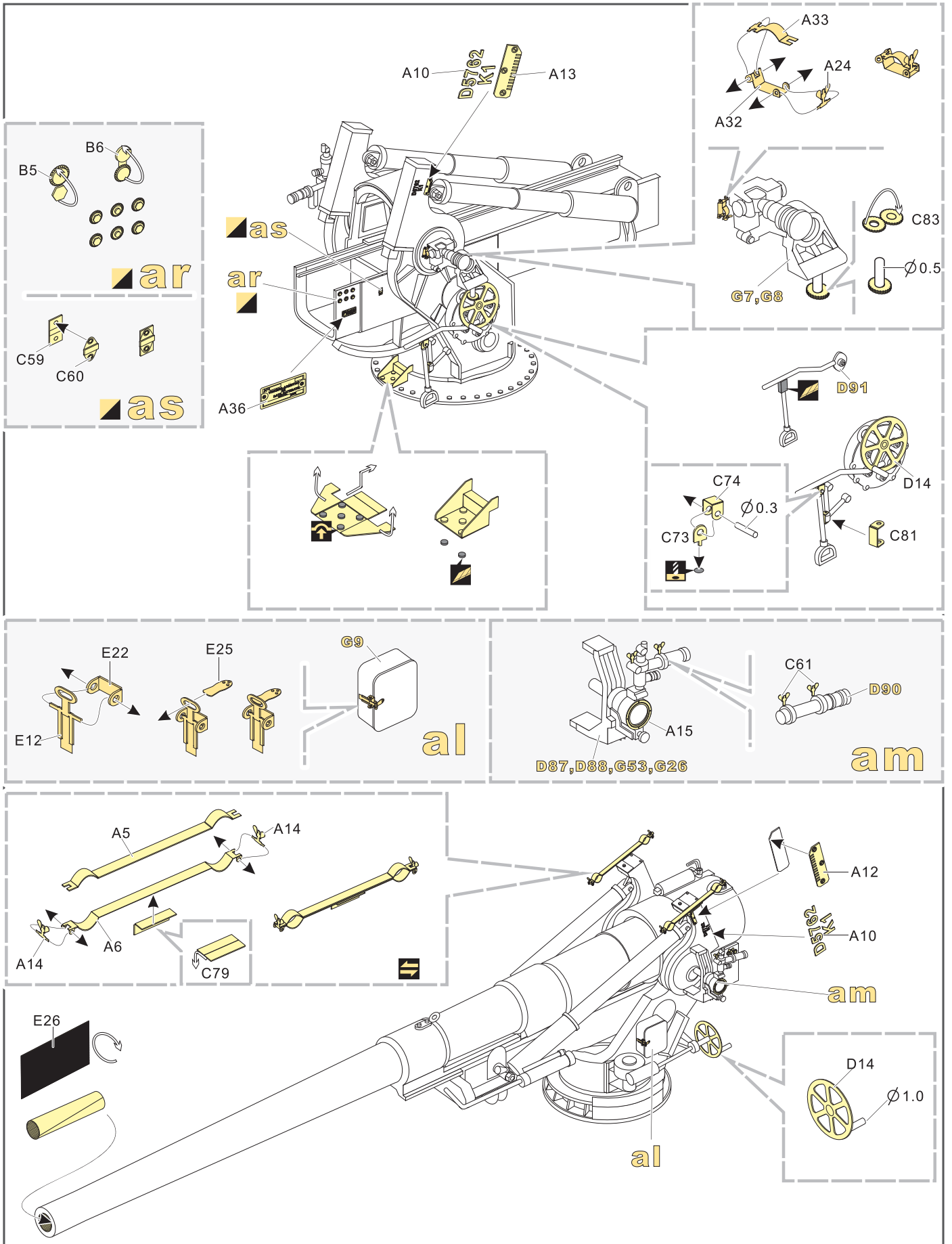
1/35 MILITARY MINIATURE VEHICLE UPGRADE SERIES PE35875



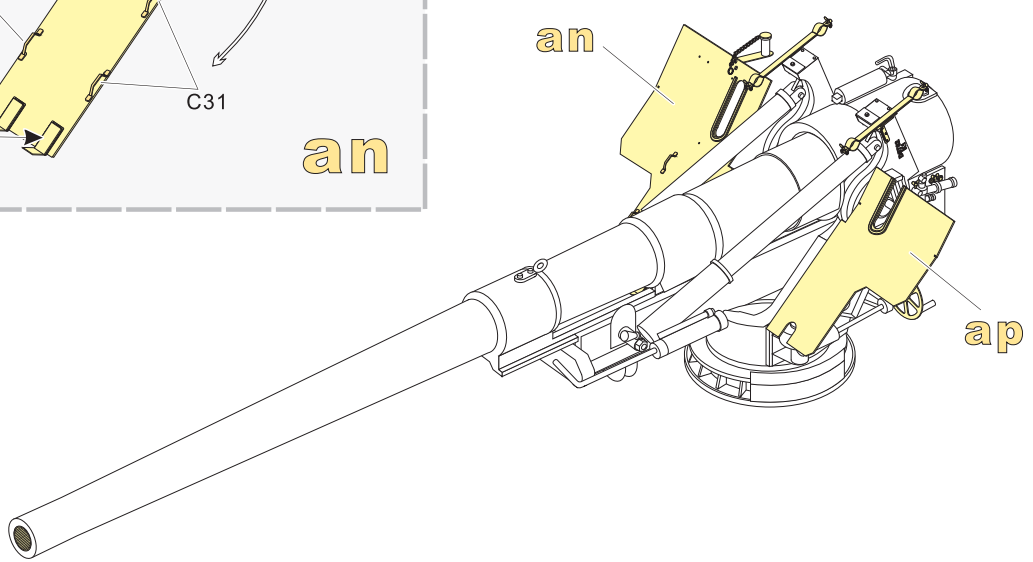
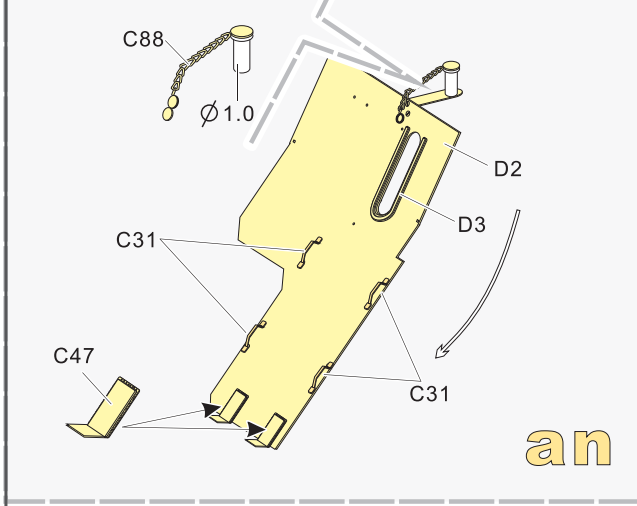
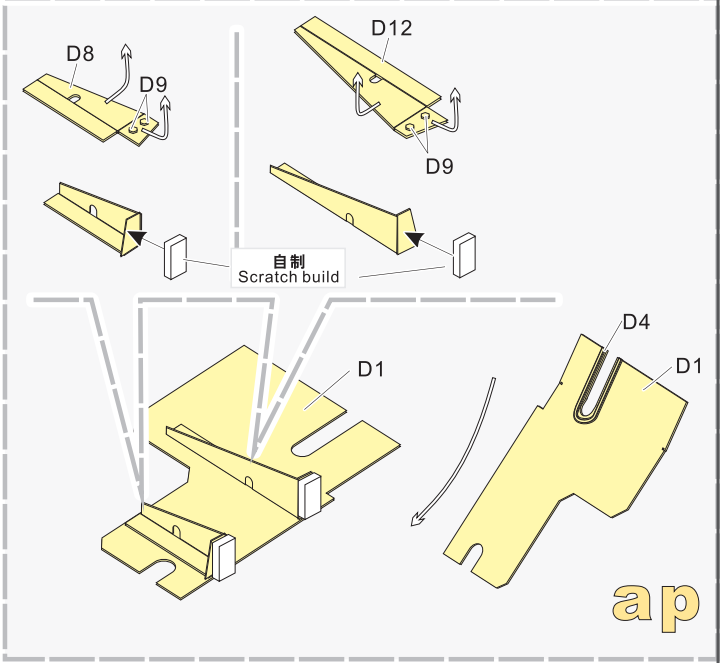
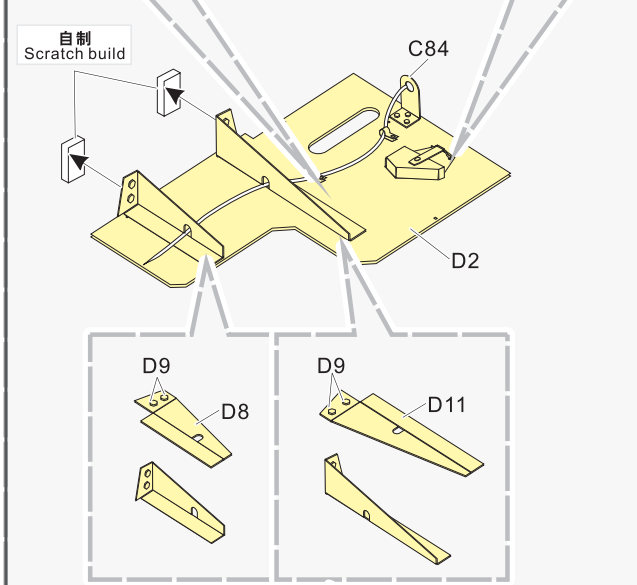
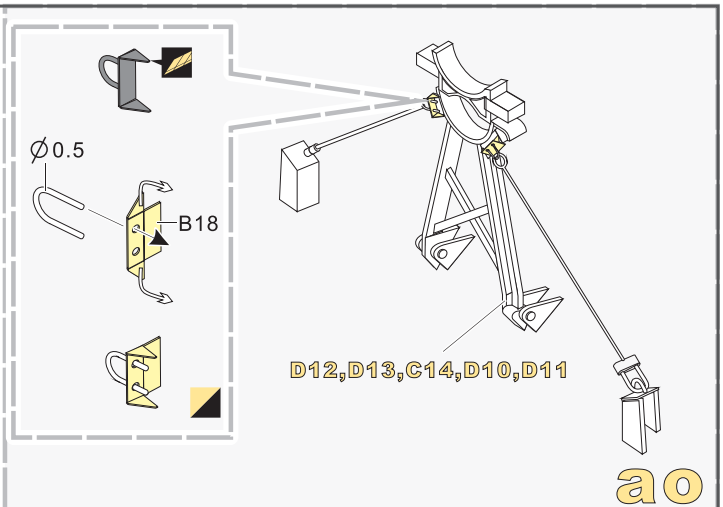
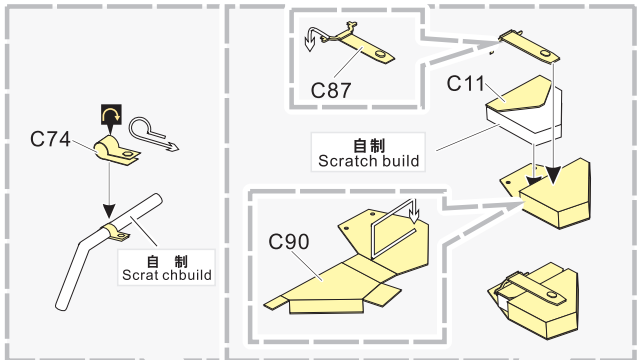
1/35 MILITARY MINIATURE VEHICLE UPGRADE SERIES PE35875



1/35 MILITARY MINIATURE VEHICLE UPGRADE SERIES PE35875



1/35 MILITARY MINIATURE VEHICLE UPGRADE SERIES PE35875

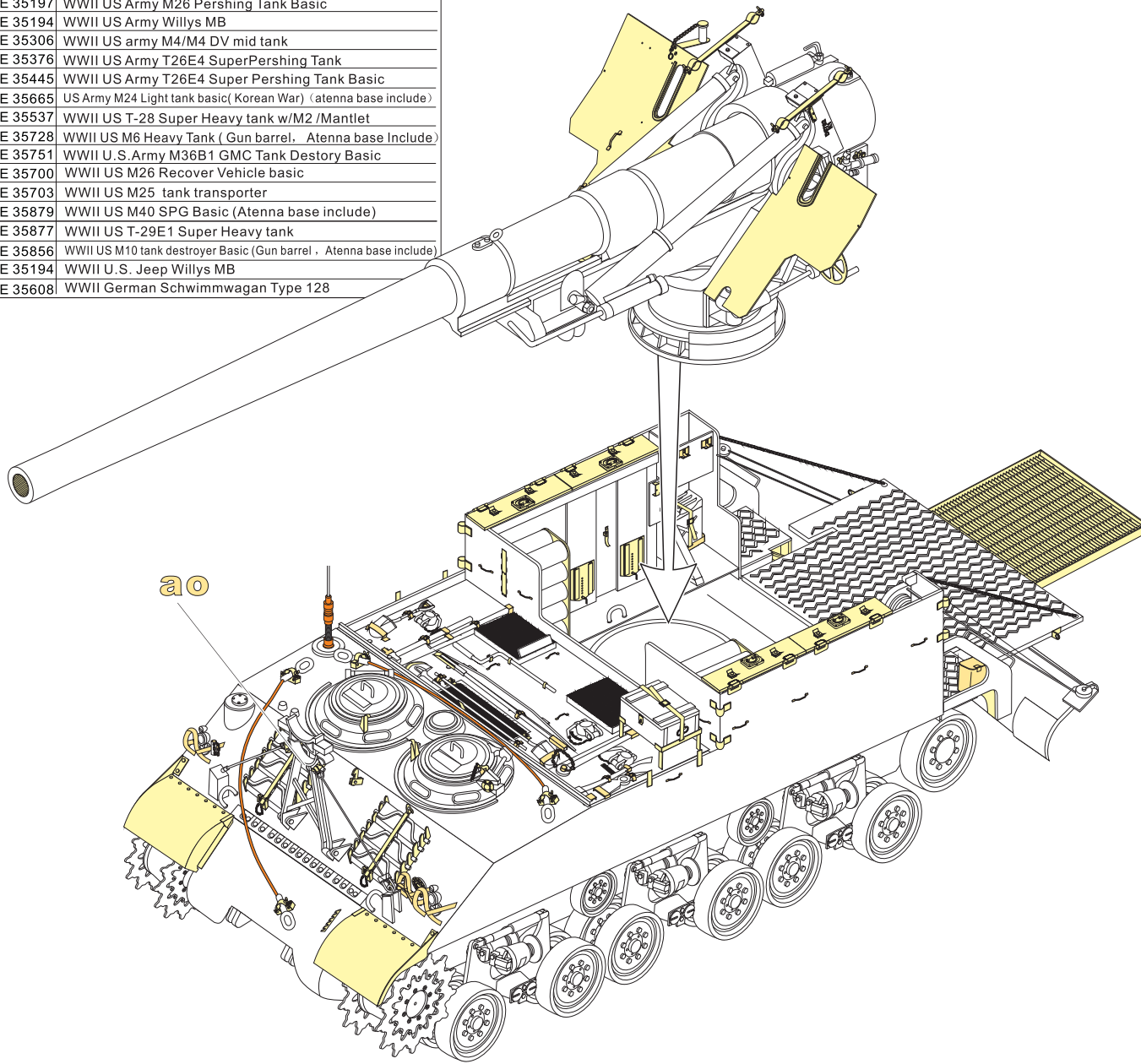


1/35 MILITARY MINIATURE VEHICLE UPGRADE SERIES PE35875

VOYAGERMODEL[®] 无限不至 极尽享受
The Best Upgrade Solution

Recommended item

PE 35197	WWII US Army M26 Pershing Tank Basic
PE 35194	WWII US Army Willys MB
PE 35306	WWII US army M4/M4 DV mid tank
PE 35376	WWII US Army T26E4 SuperPershing Tank
PE 35445	WWII US Army T26E4 Super Pershing Tank Basic
PE 35665	US Army M24 Light tank basic(Korean War) (atenna base include)
PE 35537	WWII US T-28 Super Heavy tank w/M2 /Mantlet
PE 35728	WWII US M6 Heavy Tank (Gun barrel. Atenna base Include)
PE 35751	WWII U.S.Army M36B1 GMC Tank Destory Basic
PE 35700	WWII US M26 Recover Vehicle basic
PE 35703	WWII US M25 tank transporter
PE 35879	WWII US M40 SPG Basic (Atenna base include)
PE 35877	WWII US T-29E1 Super Heavy tank
PE 35856	WWII US M10 tank destroyer Basic (Gun barrel , Atenna base include)
PE 35194	WWII U.S. Jeep Willys MB
PE 35608	WWII German Schwimmwagan Type 128



**VOYAGER
MODEL**



更多PE35875样品照片参考请扫一扫
MORE PICTUER OF PE 35875
REFERENCE SCAN HERE

