

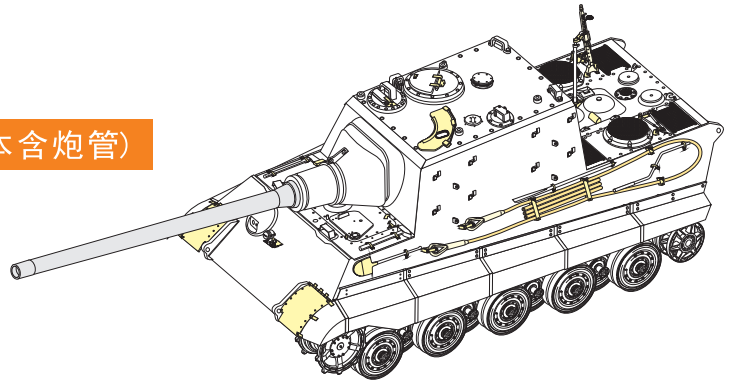
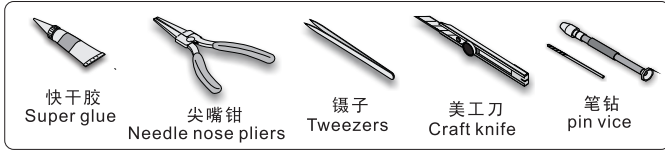
1/35 MILITARY MINIATURE VEHICLE UPGRADE SERIES PE35616

WWII German Jagdtiger Basic 2.0 (B ver include Gun barrel)

二战德军猎虎坦克歼击车改造件2.0 (B版本含炮管)

[For DROGON]

推荐使用工具 RECOMMENDED TOOLS



- 安装
install
- 折叠
bend
- A1**

改造件零件编号
PE/resin part number
- B12**

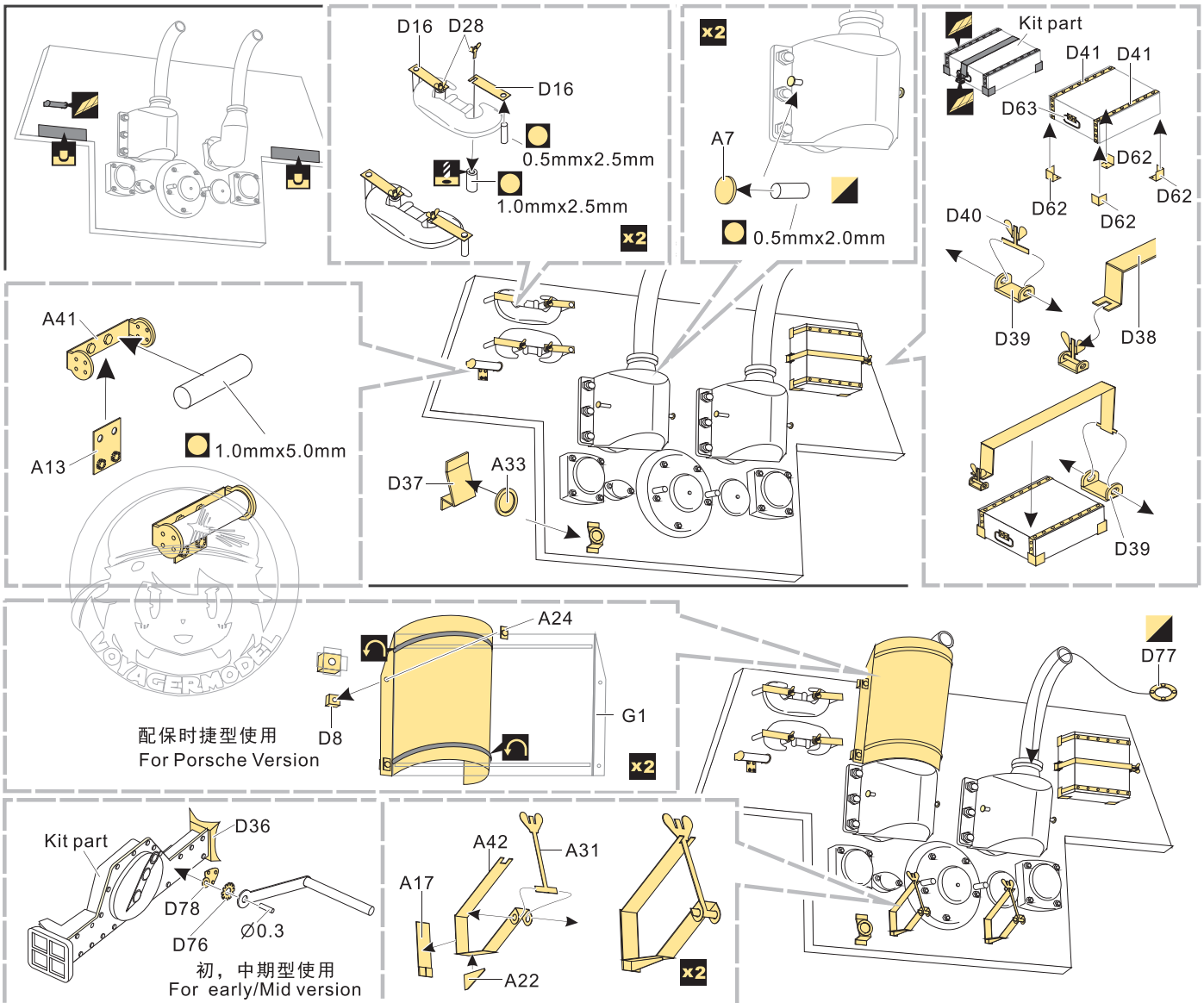
原零件编号
kit part number
- C22**

被替换的原零件编号
replaced kit part number
- 选择安装
alternative
- 弧度卷曲
radial bending
- 钻孔
drill
- 切除
remove
- 另一侧相同制作
repeat on opposite side
- 注意
caution
- 填补
fill
- x2**

制作若干组
multiple assembly
- 用胶棒制作
make from plastic rod
- 用铜管制作
make from brass tube

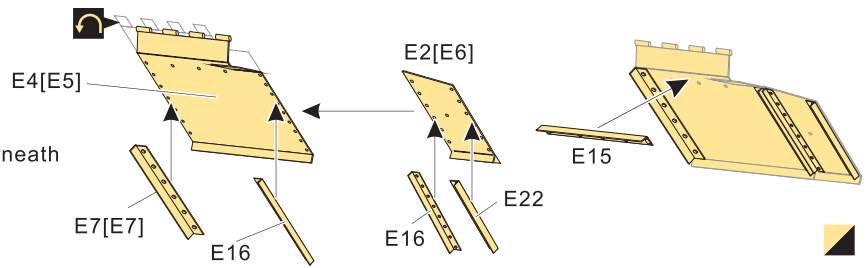
用尖端在凹槽处冲压
use penpoint to press on the dent

圆珠笔
Ballpen
 蚀刻片零件内侧面
PE part inboard side turn up
 用笔尖在凹槽处刮
Use penpoint scratch on the flute

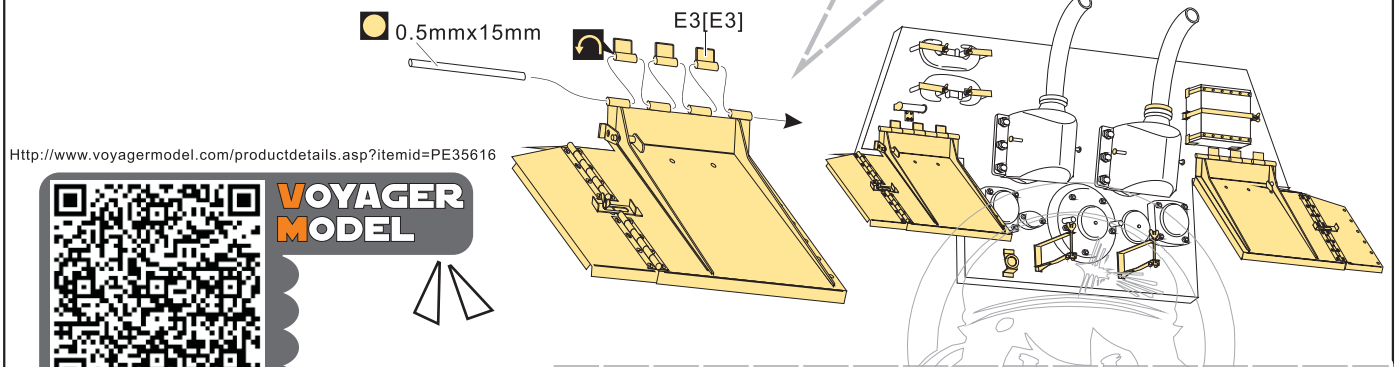
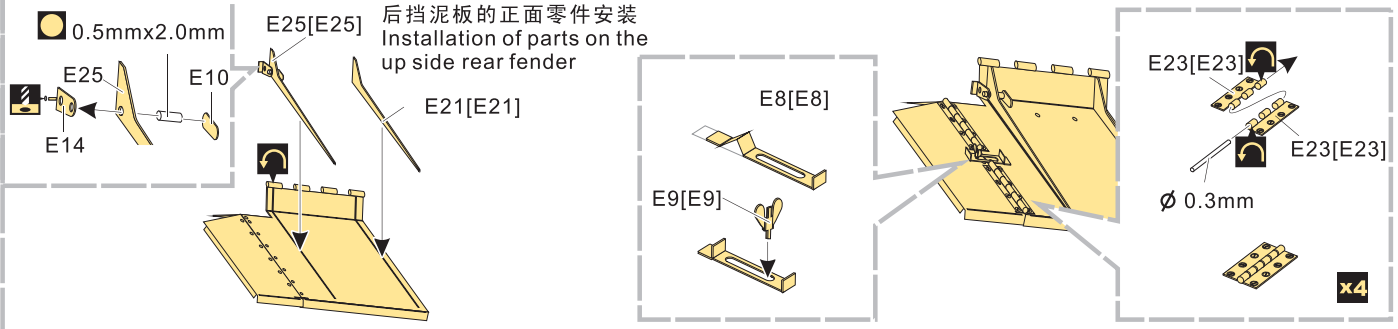


1/35 MILITARY MINIATURE VEHICLE UPGRADE SERIES PE35616

后挡泥板的底面零件安装
Installation of parts underneath
the rear fender



后挡泥板的正面零件安装
Installation of parts on the
up side rear fender



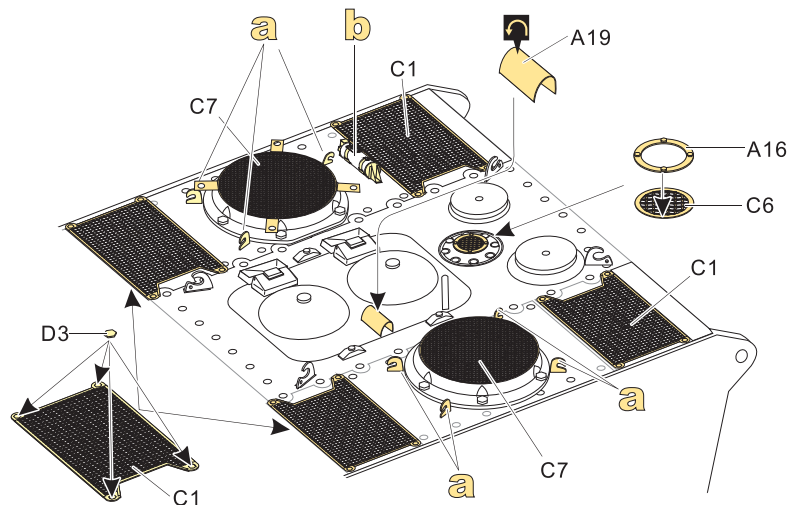
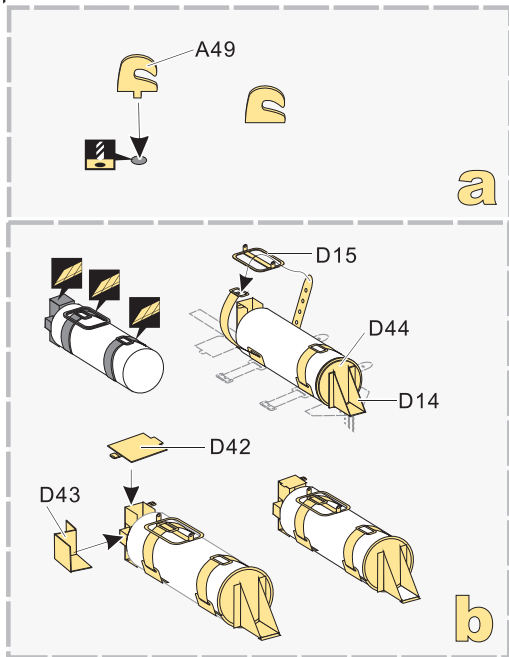
[Http://www.voyagermodel.com/productdetails.asp?itemid=PE35616](http://www.voyagermodel.com/productdetails.asp?itemid=PE35616)



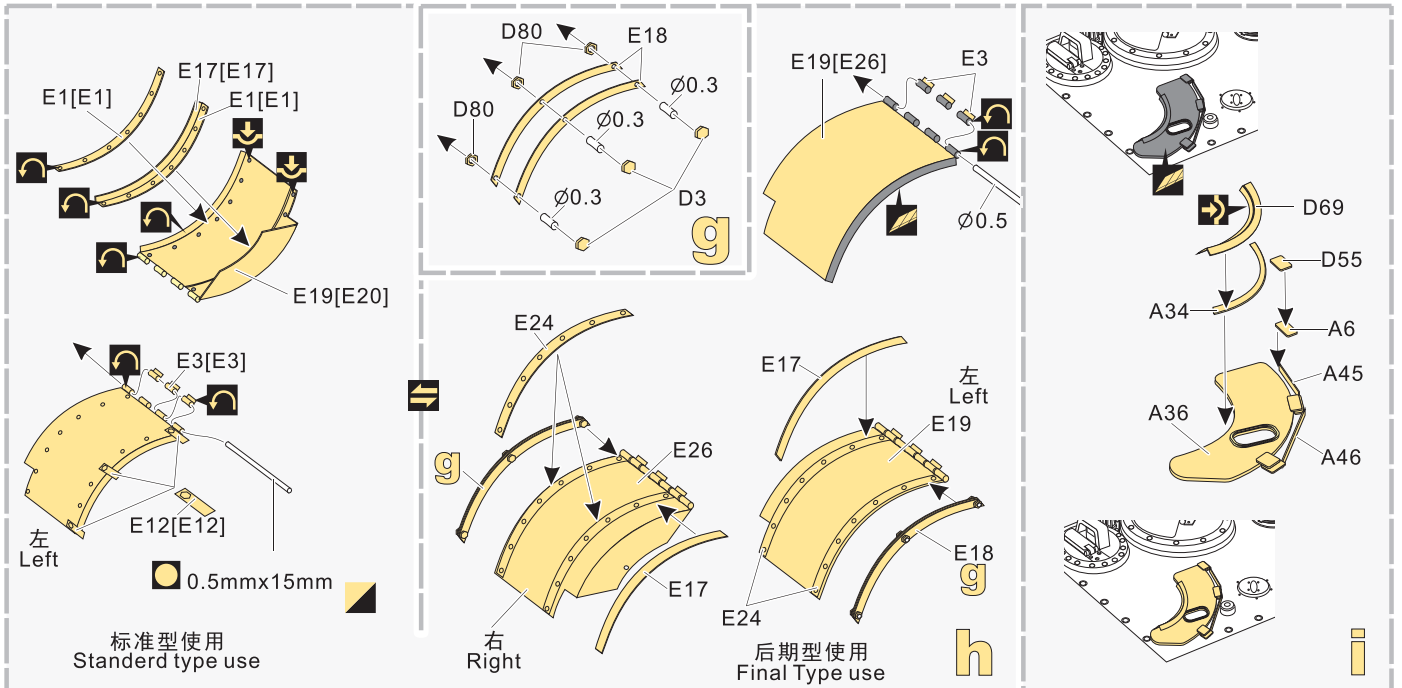
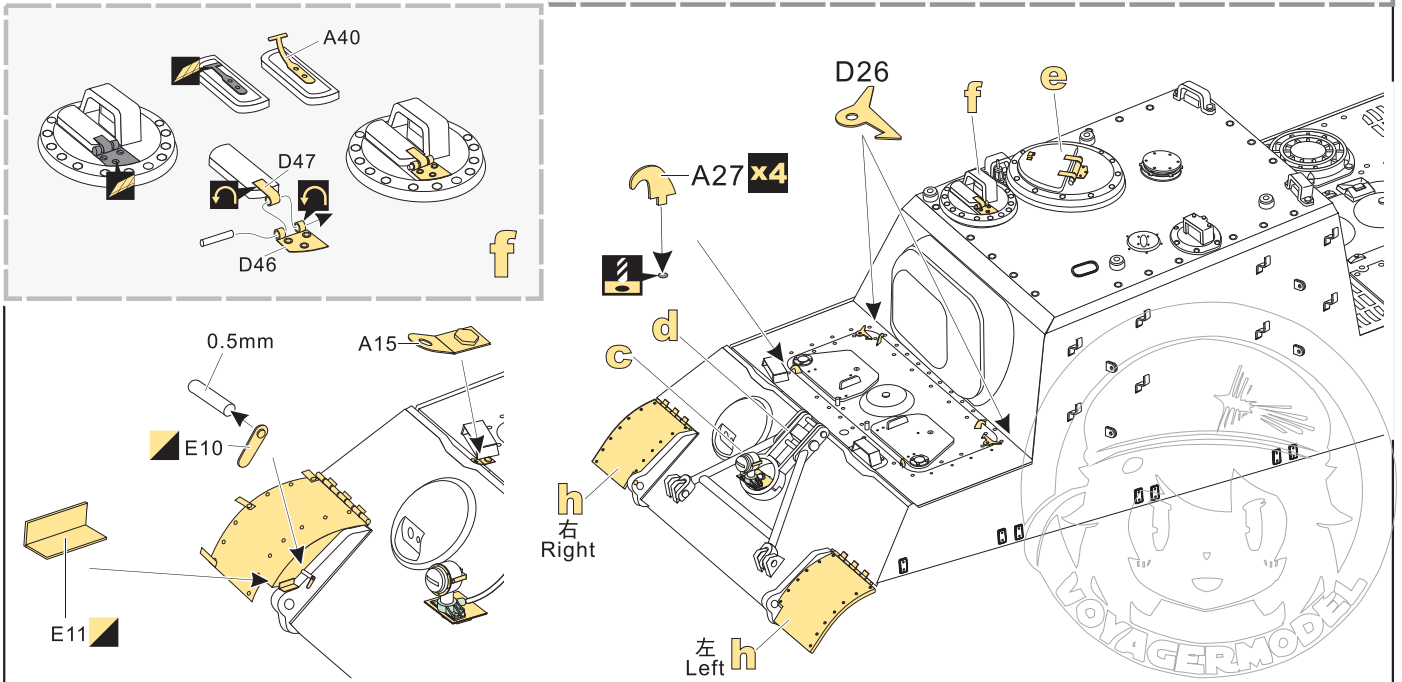
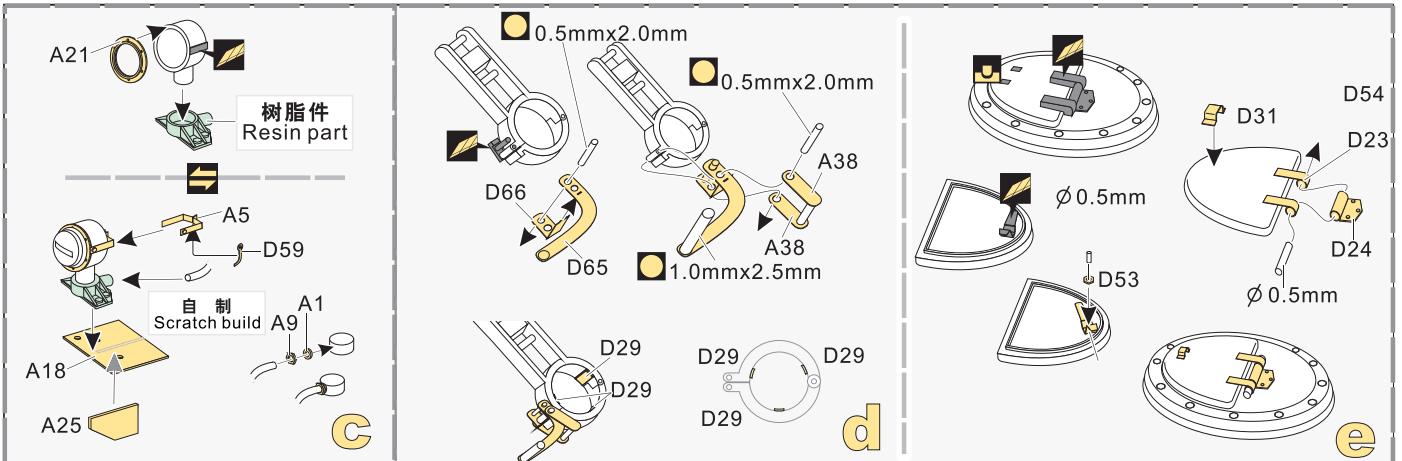
**VOYAGER
MODEL**



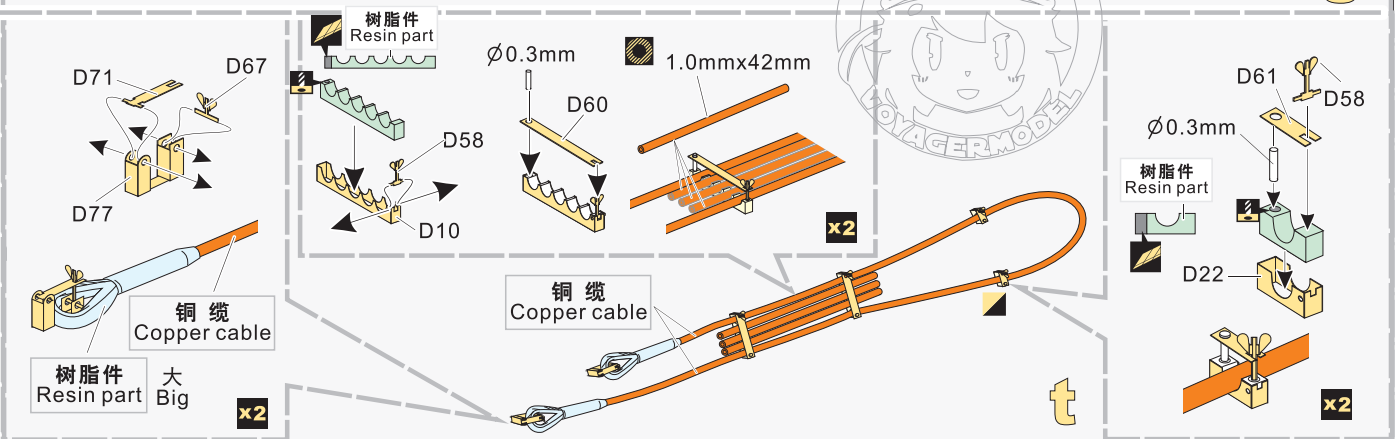
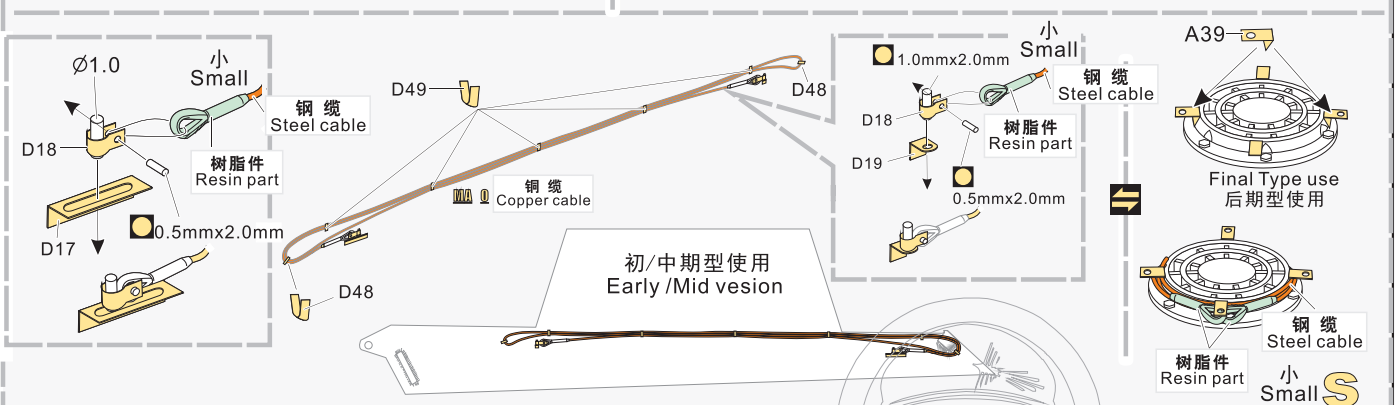
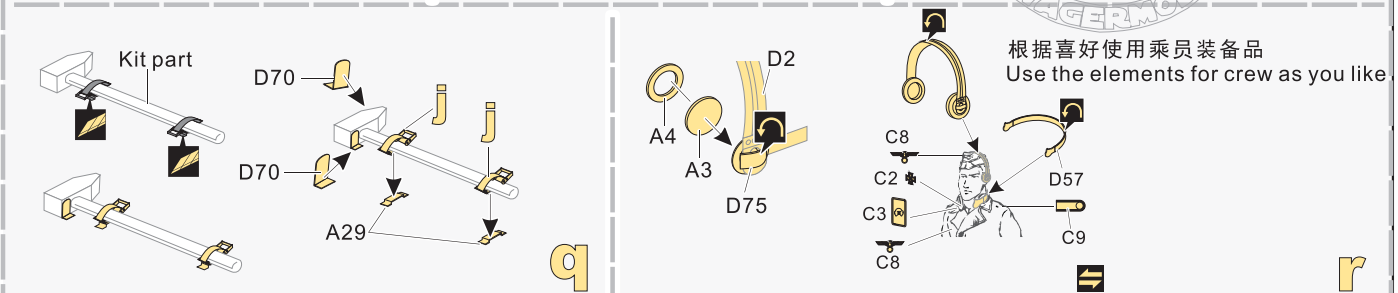
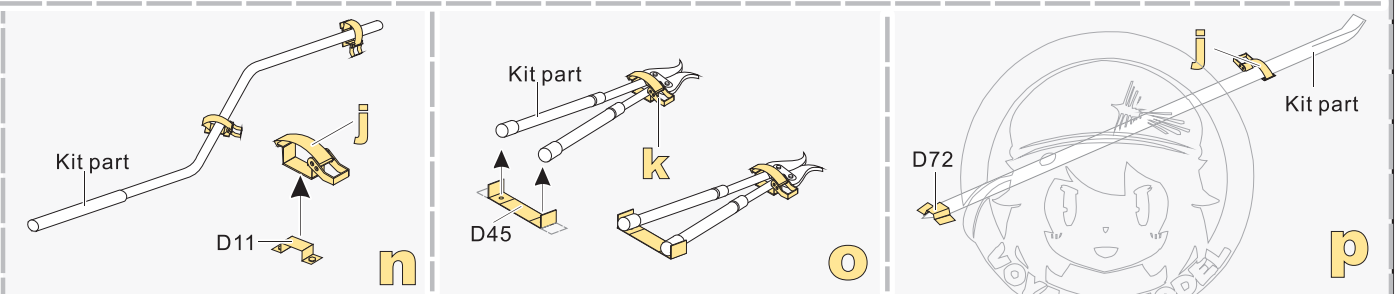
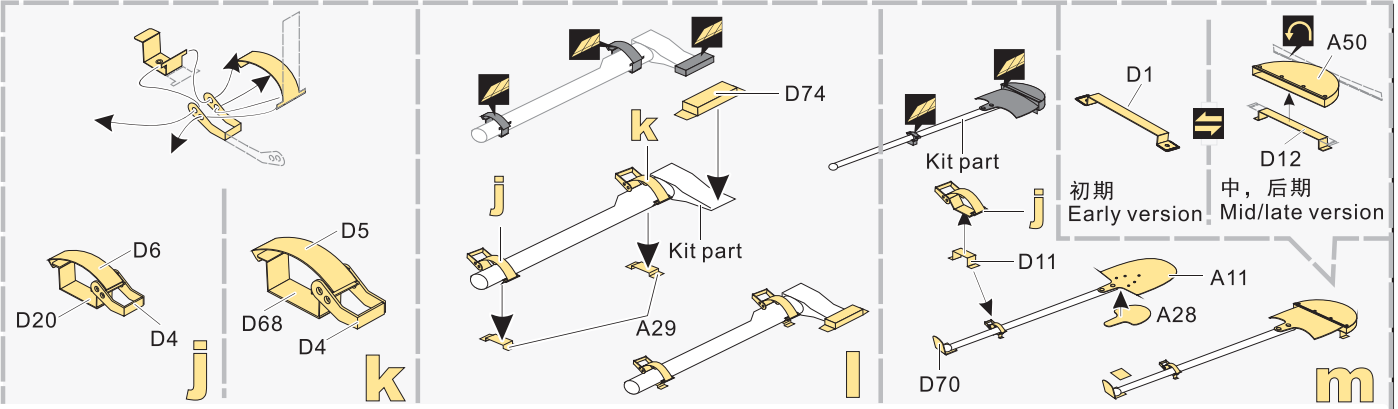
更多PE35616样品照片参考请扫一扫
MORE PICTUER OF PE 35616
REFERENCE SCAN HERE



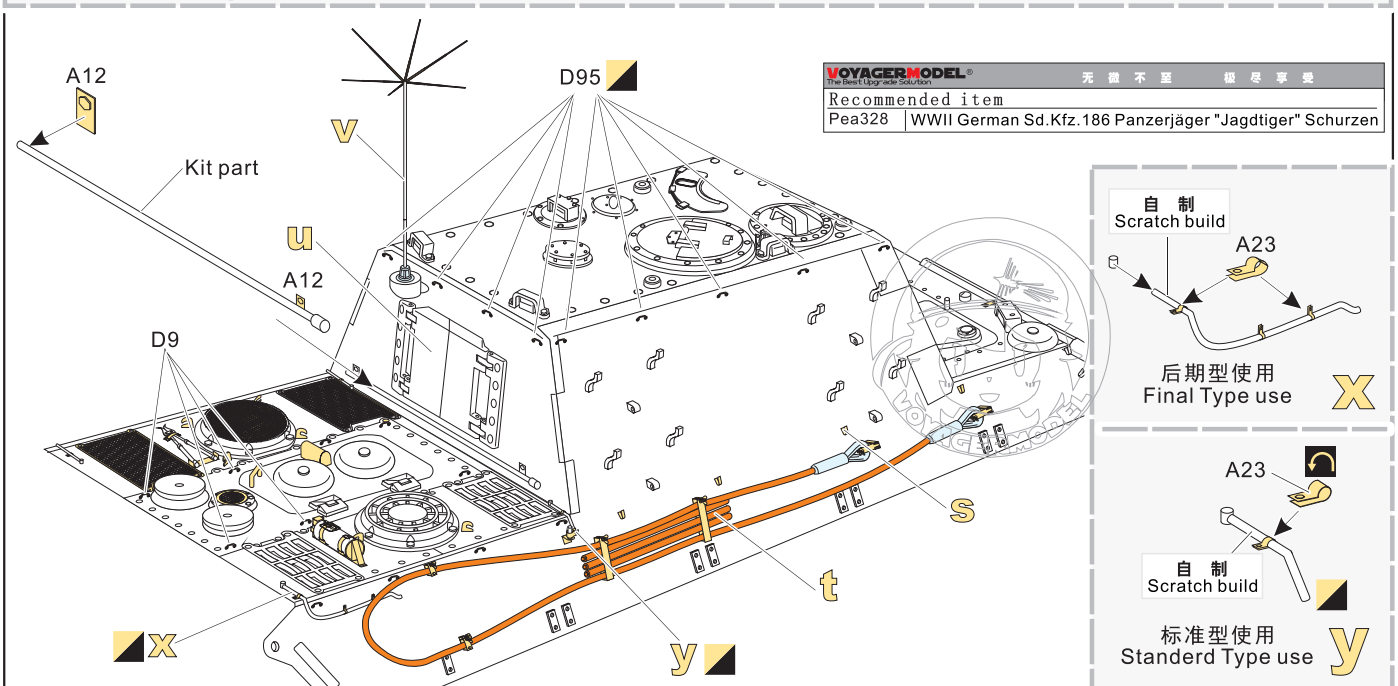
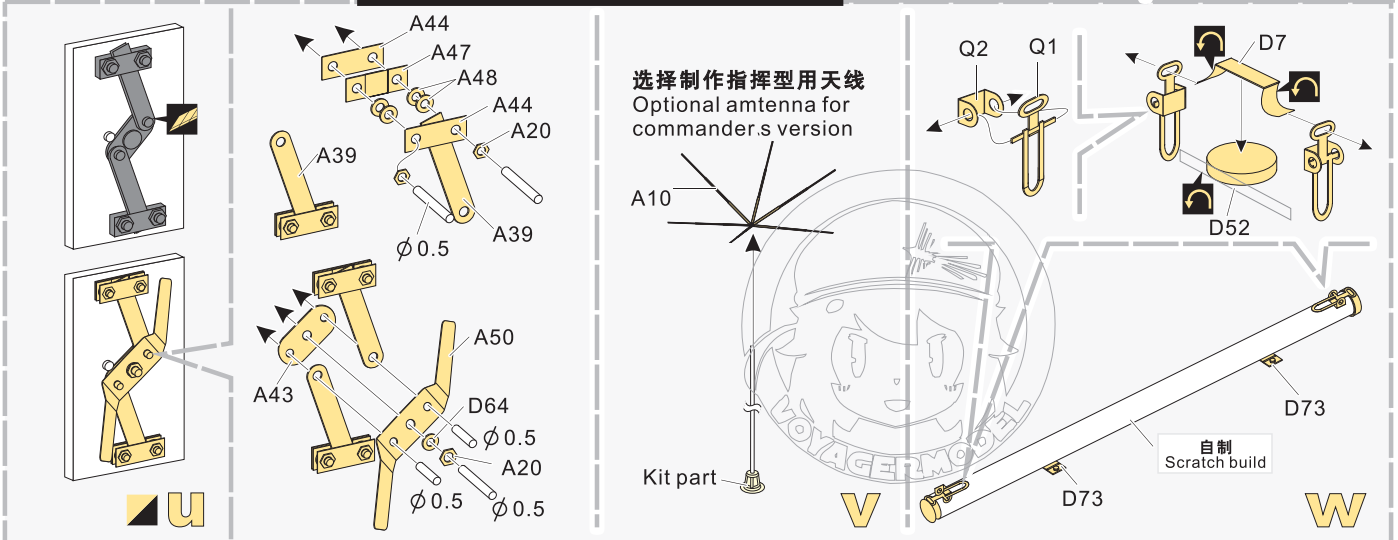
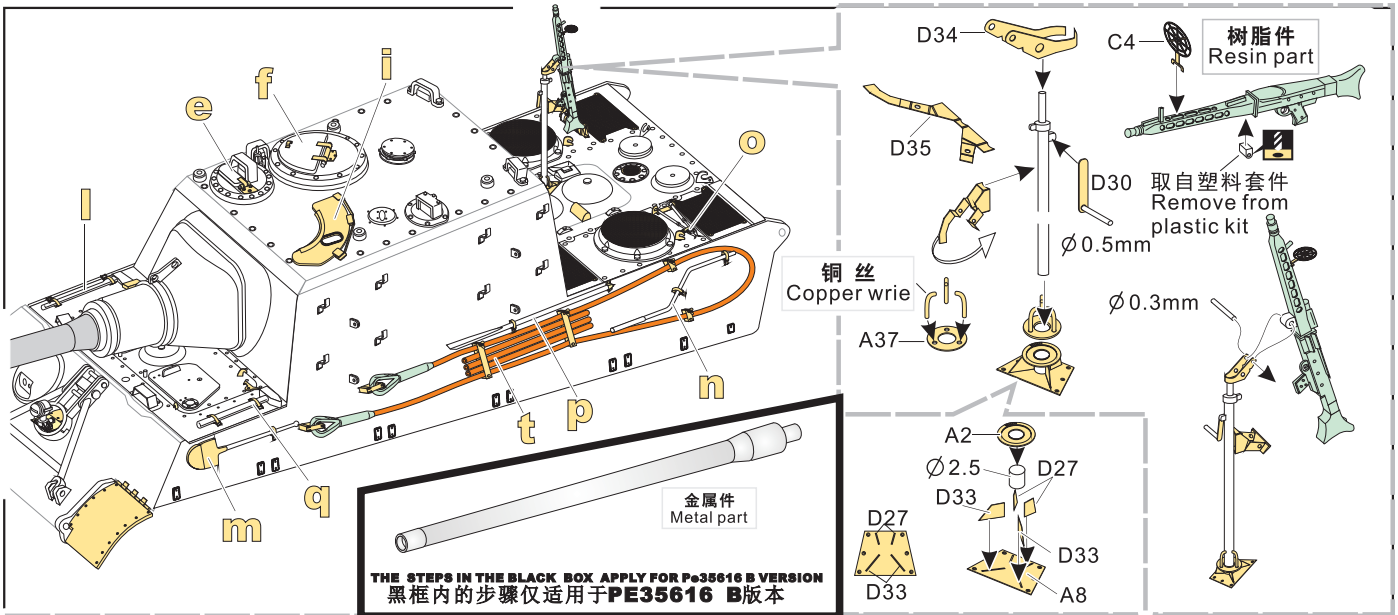
1/35 MILITARY MINIATURE VEHICLE UPGRADE SERIES PE35616



1/35 MILITARY MINIATURE VEHICLE UPGRADE SERIES PE35616



1/35 MILITARY MINIATURE VEHICLE UPGRADE SERIES PE35616



VOYAGERMODEL® 无微不至 极致享受
Recommended item
Pea328 WWII German Sd.Kfz. 186 Panzerjäger "Jagdtiger" Schurzen