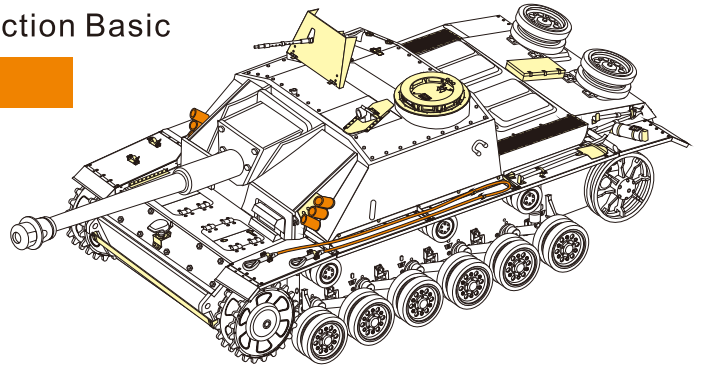


1/35 MILITARY MINIATURE VEHICLE UPGRADE SERIES PE351069

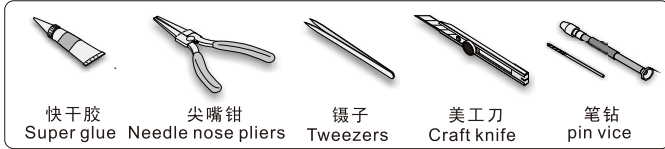
WWII German StuG.III Ausf.G Early Production Basic











二战德军111号突击炮G型早期型改造件


[For TAKOM 8004]





■ 推荐使用工具 RECOMMENDED TOOLS

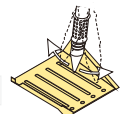
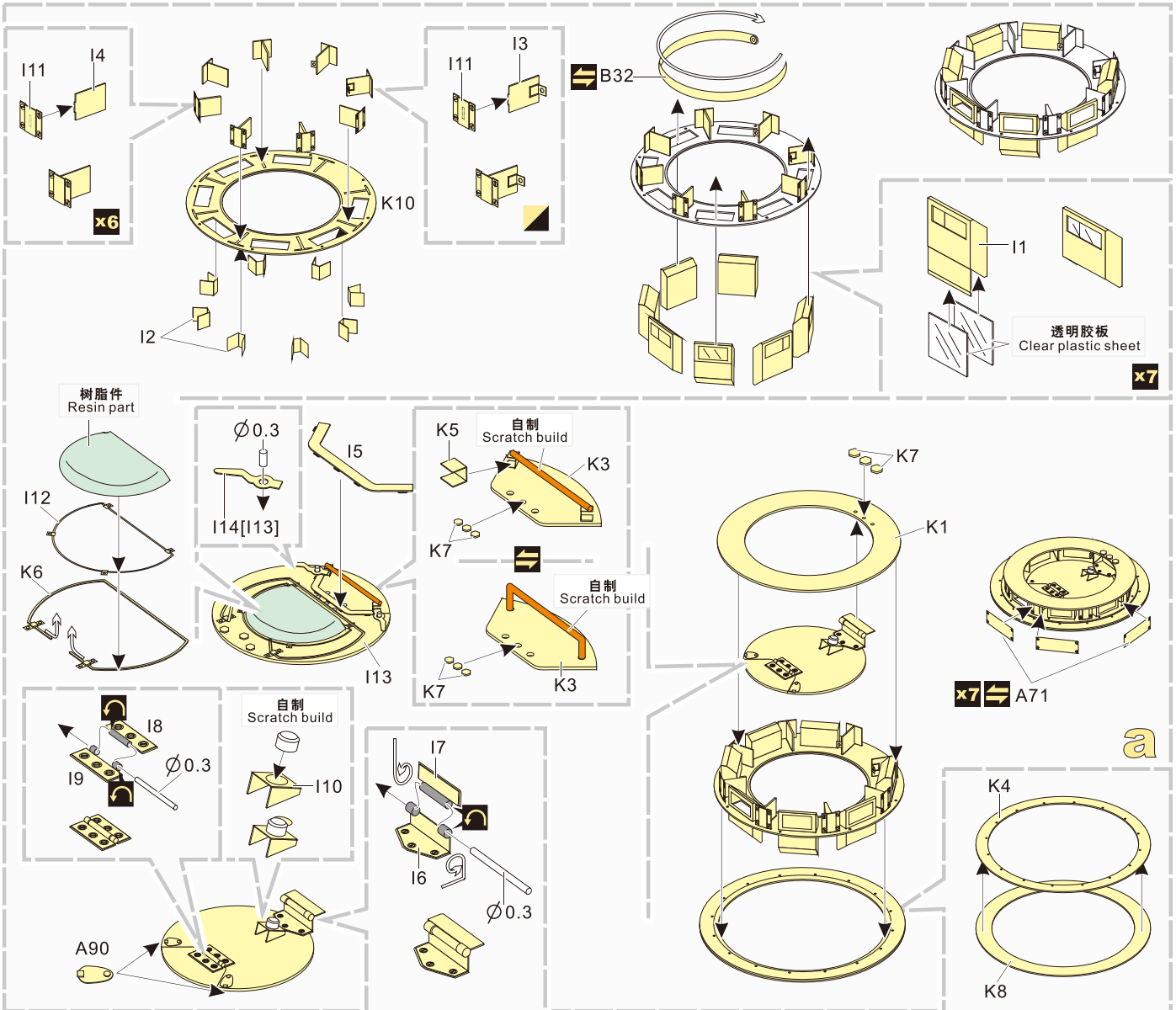


- 
安装
install
- 
折叠
bend
- A1**
改造件零件编号
PE/resin part number
- B12**
原零件编号
kit part number
- C22**
被替换的原零件编号
replaced kit part number
- 
 另一侧相同制作
repeat on opposite side
- 
切除
remove
- 
打磨
grind off
- 
弧度卷曲
radial bending
- 
制作若干组
multiple assembly
- 
选择安装
alternative
- 
钻孔
drill
- 
用胶棒制作
make from plastic rod

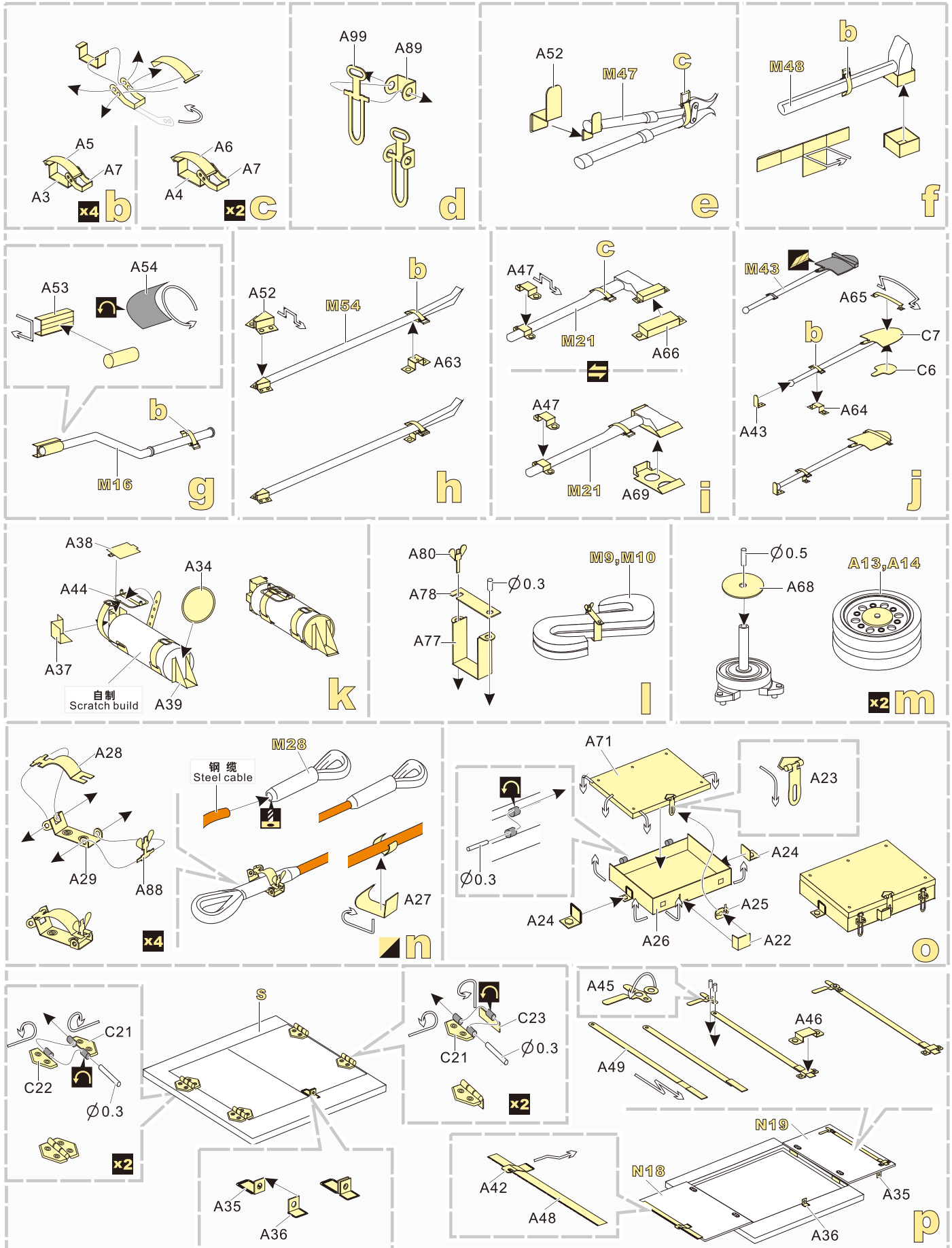

 用尖端在凹槽处冲压
use penpoint to press on the dent


 蚀刻片零件内侧面向上
Put the part upside down


 用笔尖在凹槽处刺
Use penpoint to press on the dent

1/35 MILITARY MINIATURE VEHICLE UPGRADE SERIES PE351069



1/35 MILITARY MINIATURE VEHICLE UPGRADE SERIES PE351069

<http://www.voyagermodel.com/productdetails.asp?itemid=PE351069>



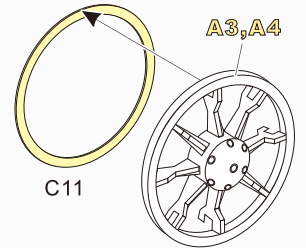
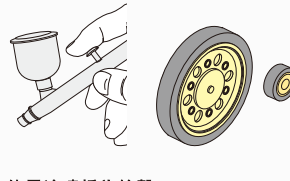
**VOYAGER
MODEL**

更多PE351069样品照片参考请扫一扫
MORE PICTURES OF PE 351069
REFERENCE SCAN HERE

漏喷板使用说明:
Instruction:

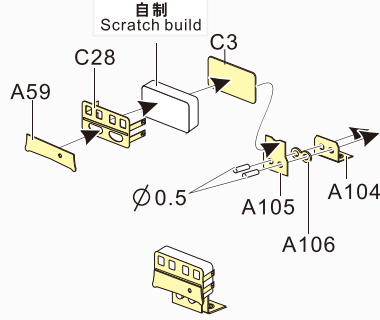
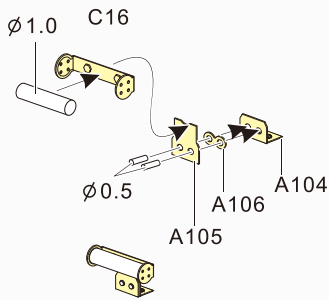


喷橡胶黑
spray tyre black

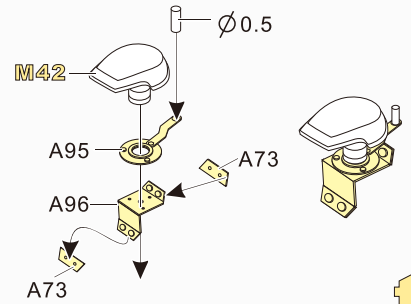


q

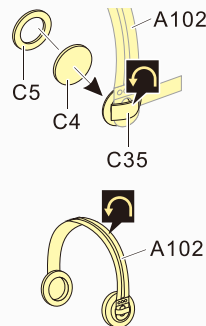
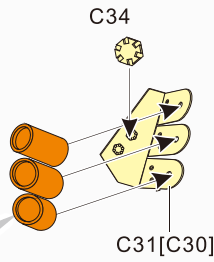
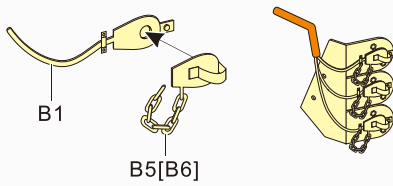
x2 r



s



t

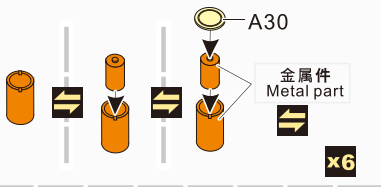


取自其他套件
Obtained from other kits

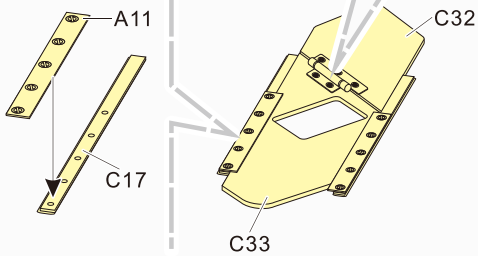
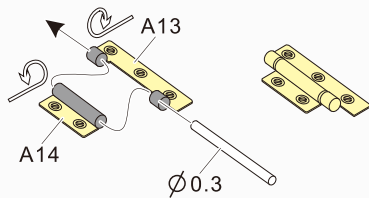
根据喜好使用乘员装备品
Use the elements for crews you like

u

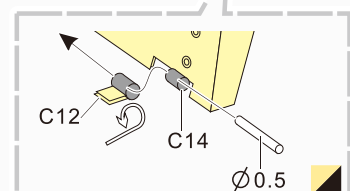
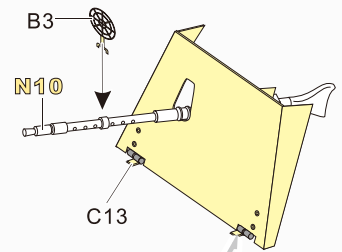
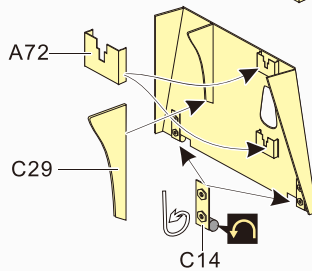
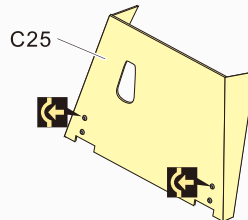
v



x6

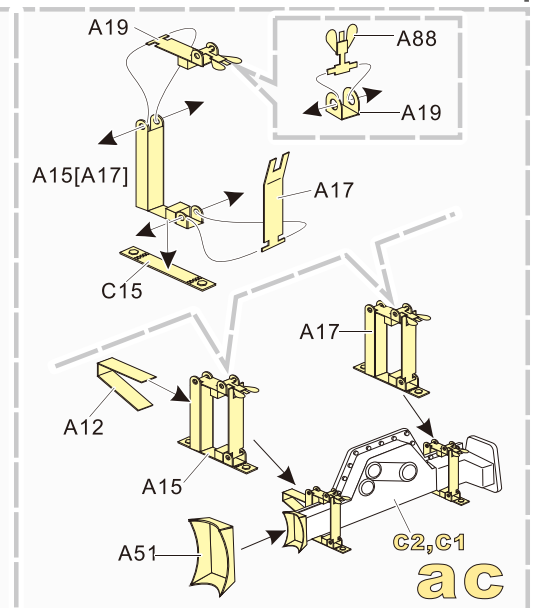
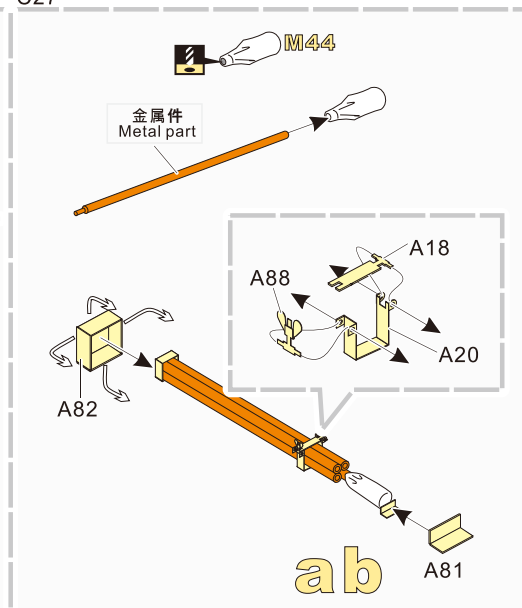
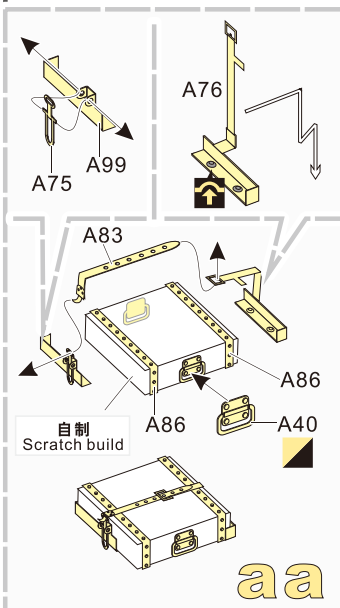
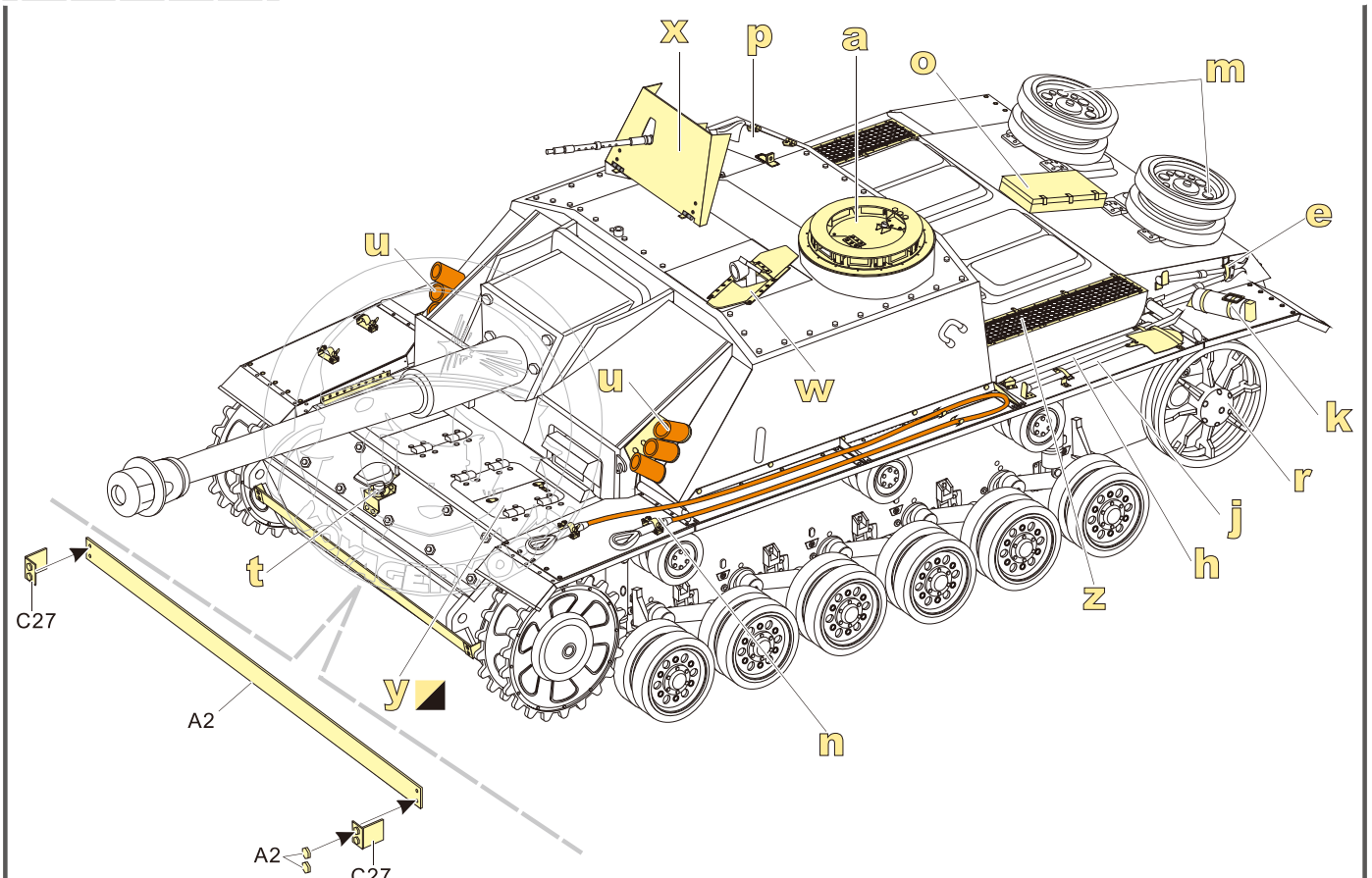
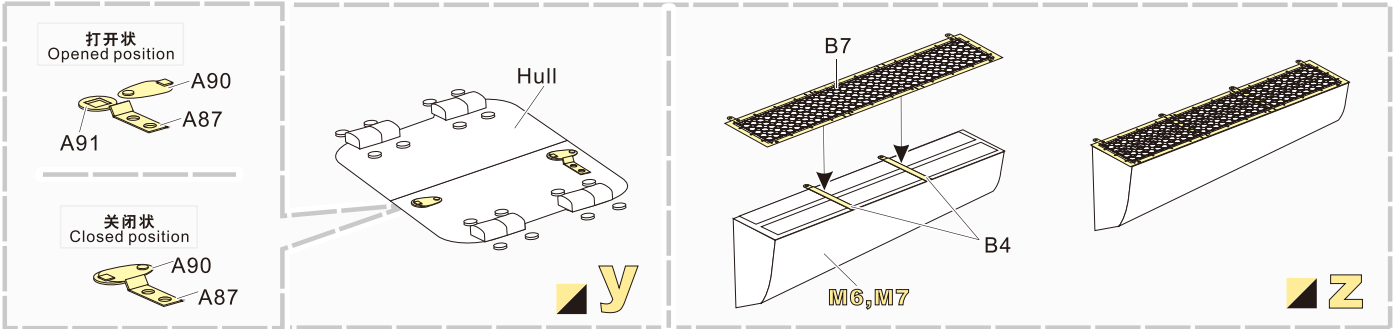


w

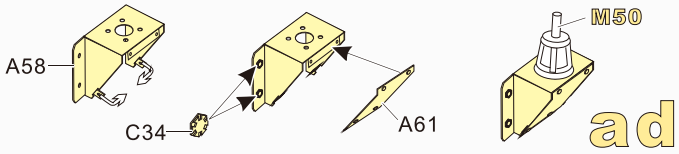


x

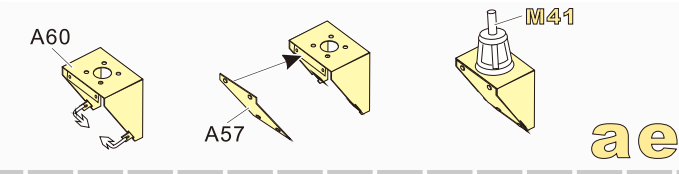
1/35 MILITARY MINIATURE VEHICLE UPGRADE SERIES PE351069



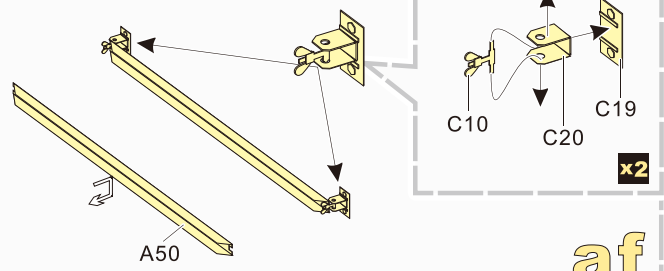
1/35 MILITARY MINIATURE VEHICLE UPGRADE SERIES PE351069



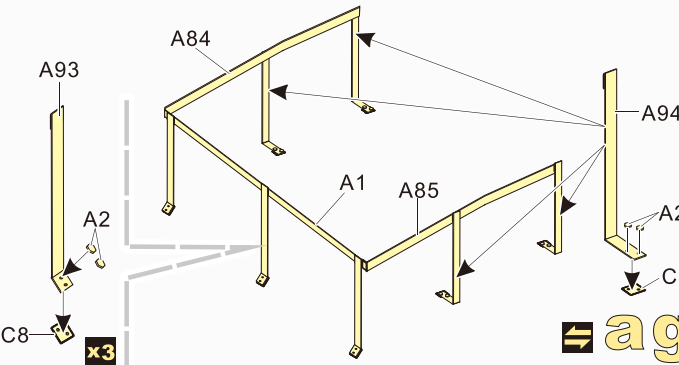
ad



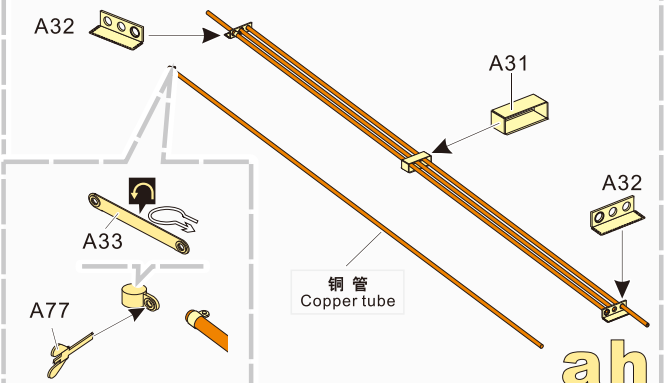
ae



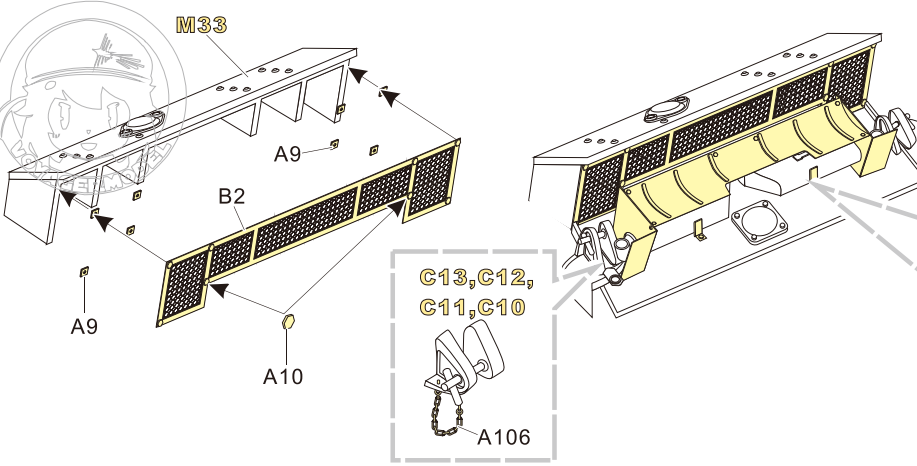
af



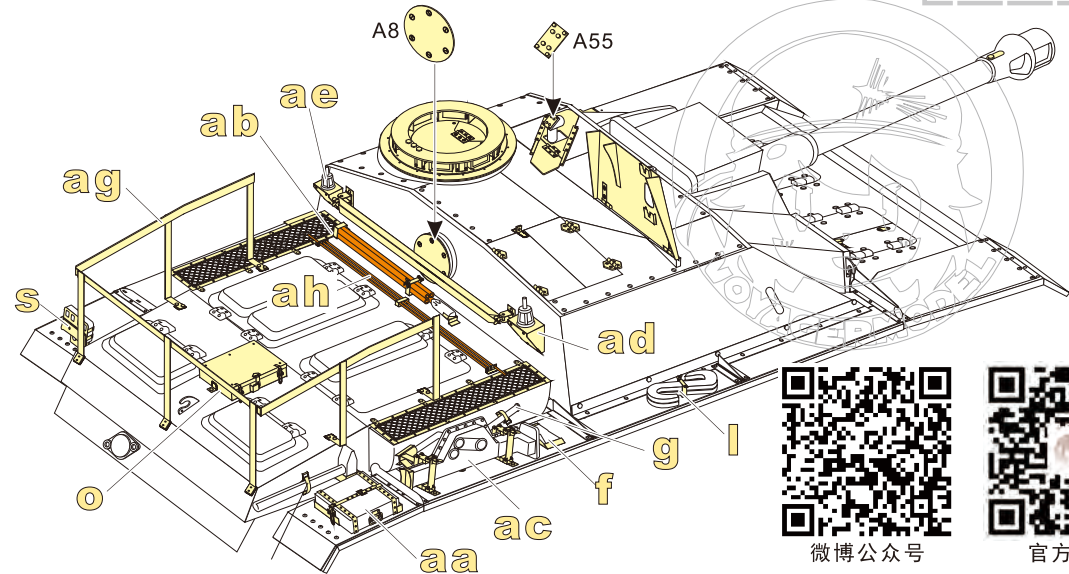
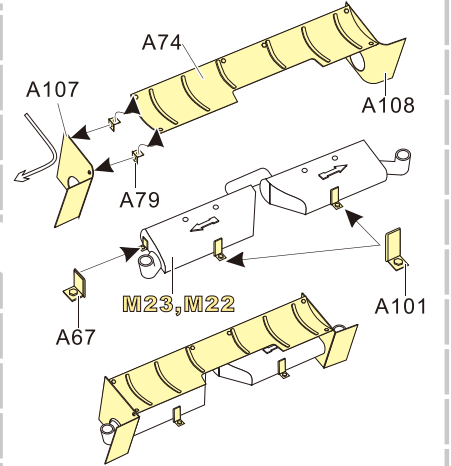
ag



ah



C13, C12,
C11, C10



微博公众号



官方淘宝



微信公众号