

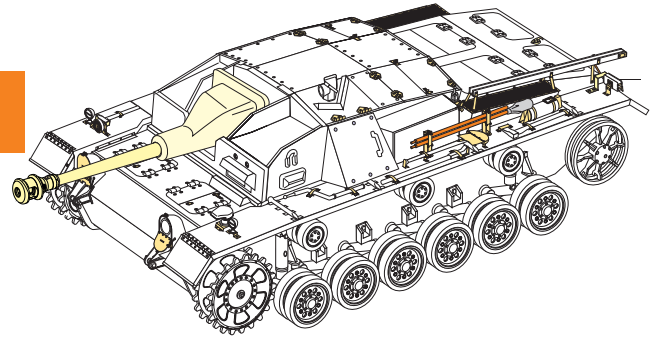
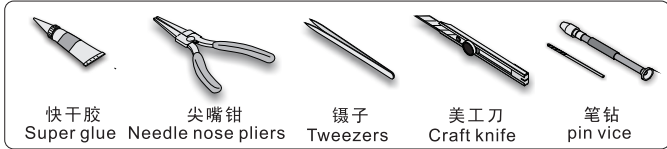
1/35 MILITARY MINIATURE VEHICLE UPGRADE SERIES PE35873

WWII German StuG.III Ausf.C/D
(L/48 75mm main gun) Basic

二战德军III号突击炮C/D型
(L/48 75mm主炮搭载型) 改造件(含金属炮管)

[For DRAGON 6851]

推荐使用工具 RECOMMENDED TOOLS



- 安装
install
- 折叠
bend
- A1**

改造件零件编号
PE/resin part number
- B12**

原零件编号
kit part number
- C22**

被替换的原零件编号
replaced kit part number
- 另一侧相同制作
repeat on opposite side
- 切除
remove
- 打磨
grind off
- 弧度卷曲
radial bending
- x2**

制作若干组
multiple assembly
- 选择安装
alternative
- 用铜管制作
make from brass tube
- 钻孔
drill

用尖端在凹槽处冲压
use penpoint to press on the dent

蚀刻片零件内朝面向上
Put the part upside down

用笔尖在凹槽处刻
Use penpoint to press on the dent

取自其他套件
Obtained from other kits

⇔

推荐 VBS0127
VOYAGERMODEL VBS0127
Recommended

a

**VOYAGER
MODEL**

更多PE35873样品照片参考请扫一扫
MORE PICTUER OF PE 35873
REFERENCE SCAN HERE

b

c

d

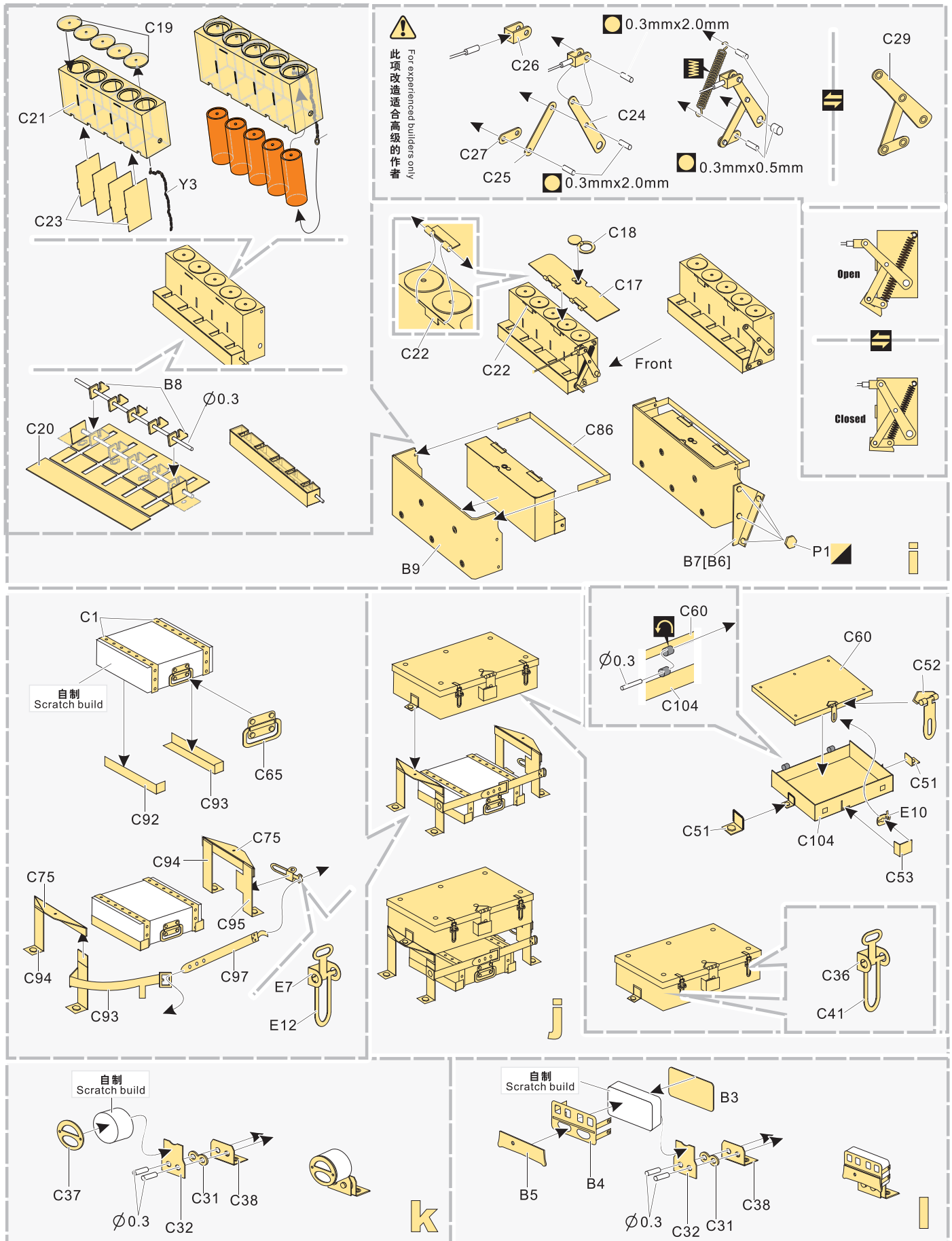
e

f

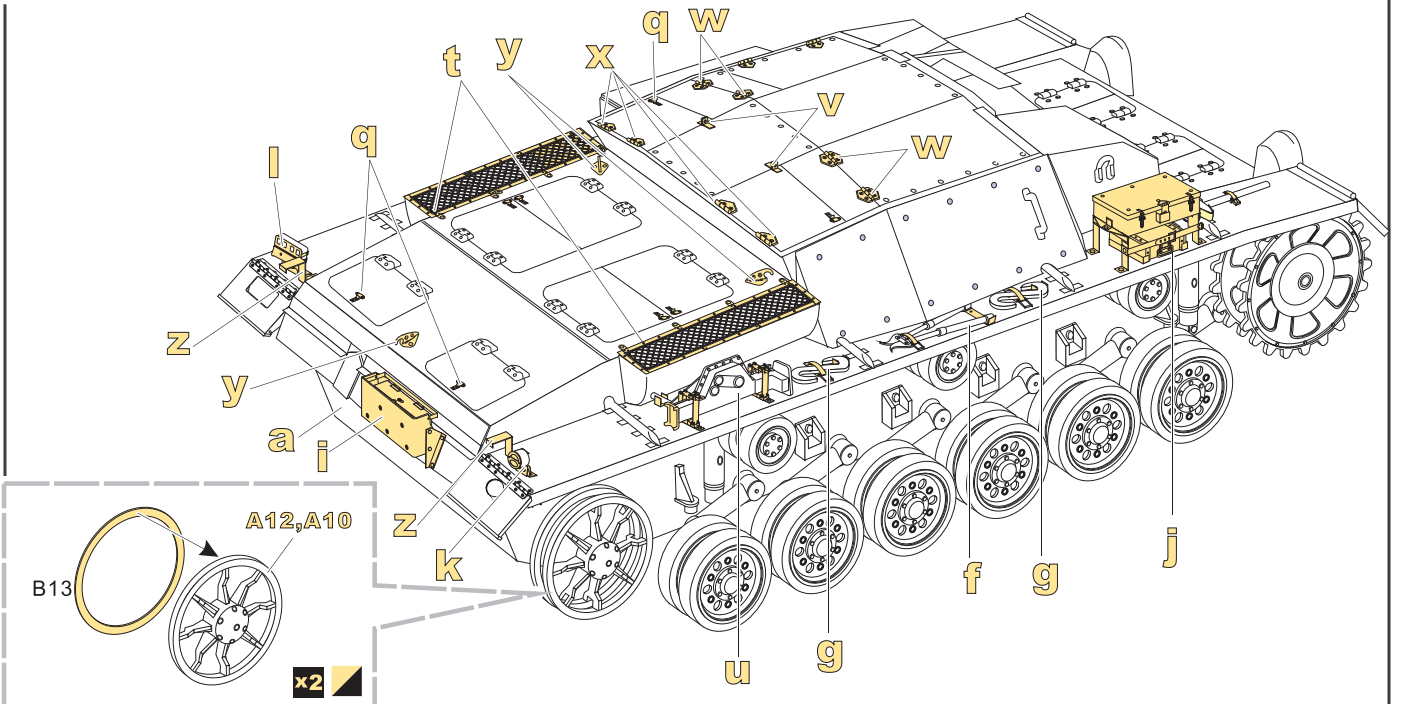
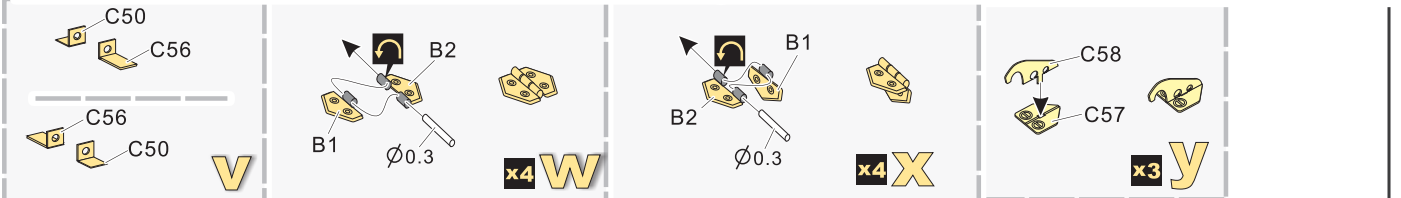
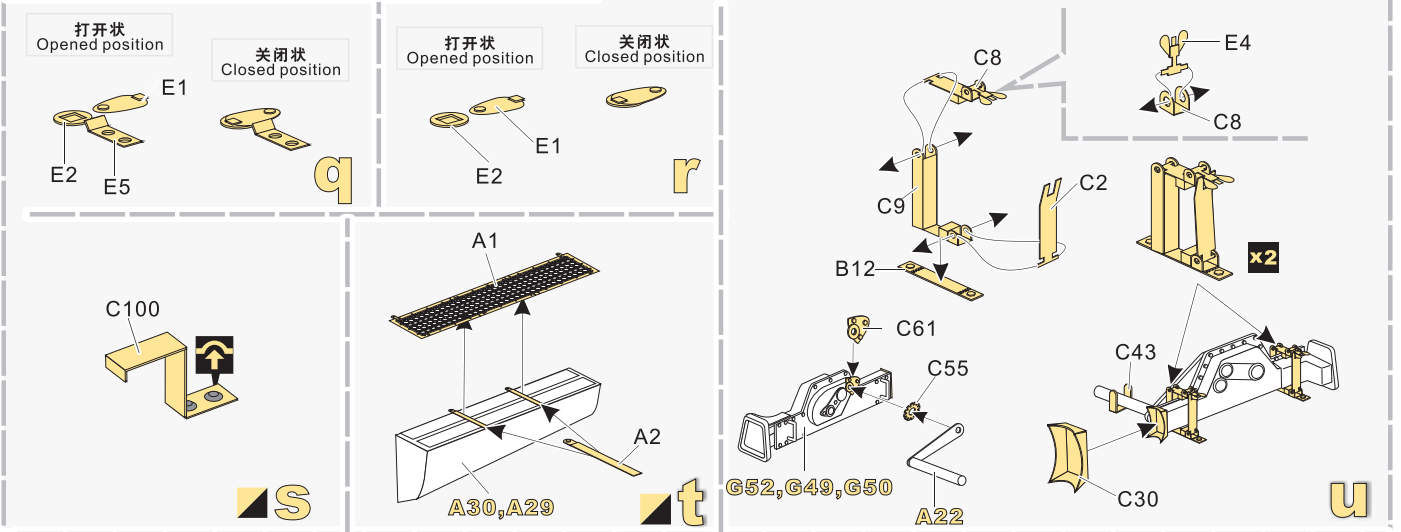
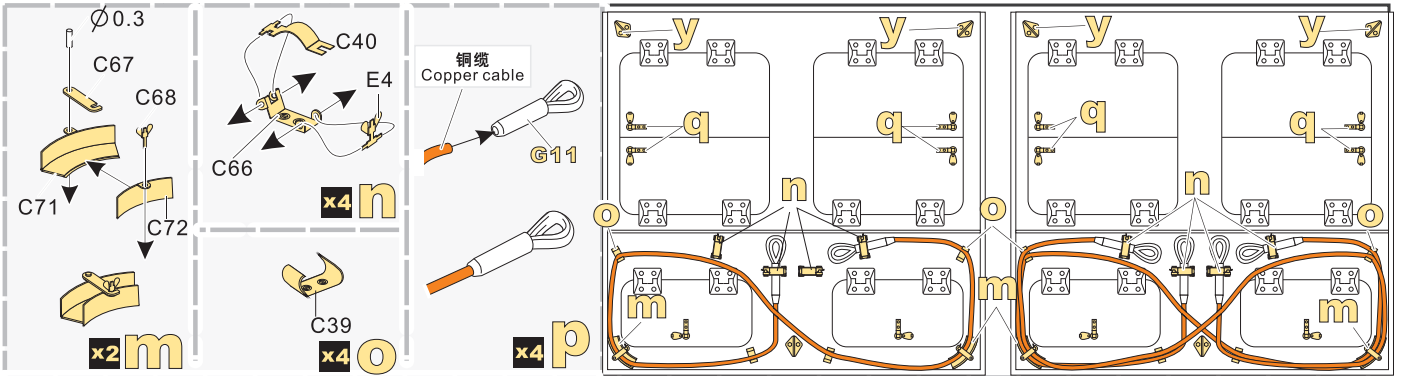
g

h

1/35 MILITARY MINIATURE VEHICLE UPGRADE SERIES PE35873



1/35 MILITARY MINIATURE VEHICLE UPGRADE SERIES PE35873



1/35 MILITARY MINIATURE VEHICLE UPGRADE SERIES PE35873

