

EagleCals

EC#137

1/72

1/48 1/32

Bf 109 F-2

eagle
EDITIONS LTD.

"Yellow 8"

Fw. Heinz Jahner

9/JG 2



"Yellow 1"

Uffz. Felix Sauer

6/JG 53



"<-+>"

Major Hannes Trautloft

Kommodore JG 54

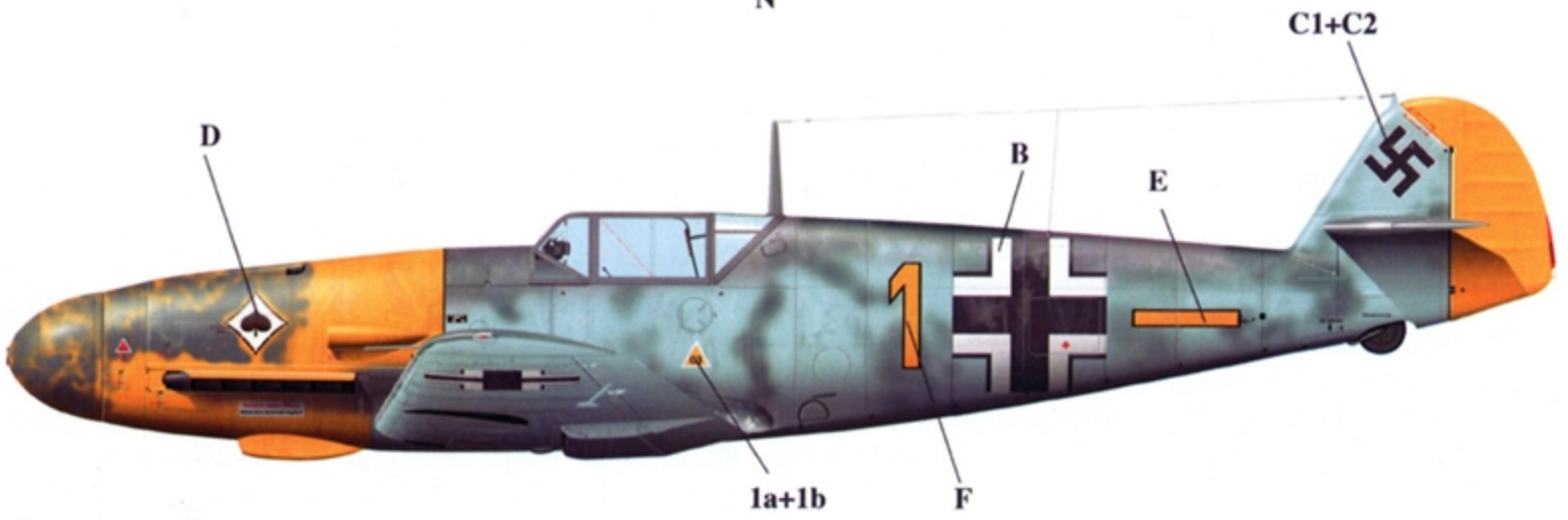
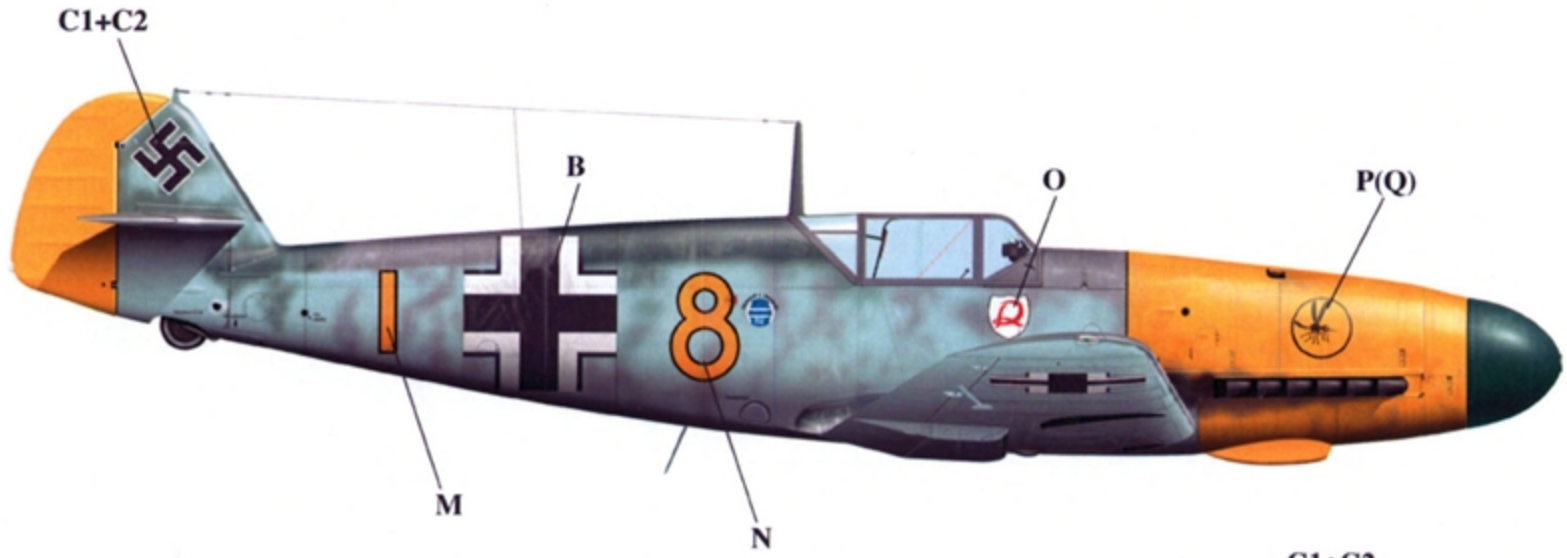


"White 5"

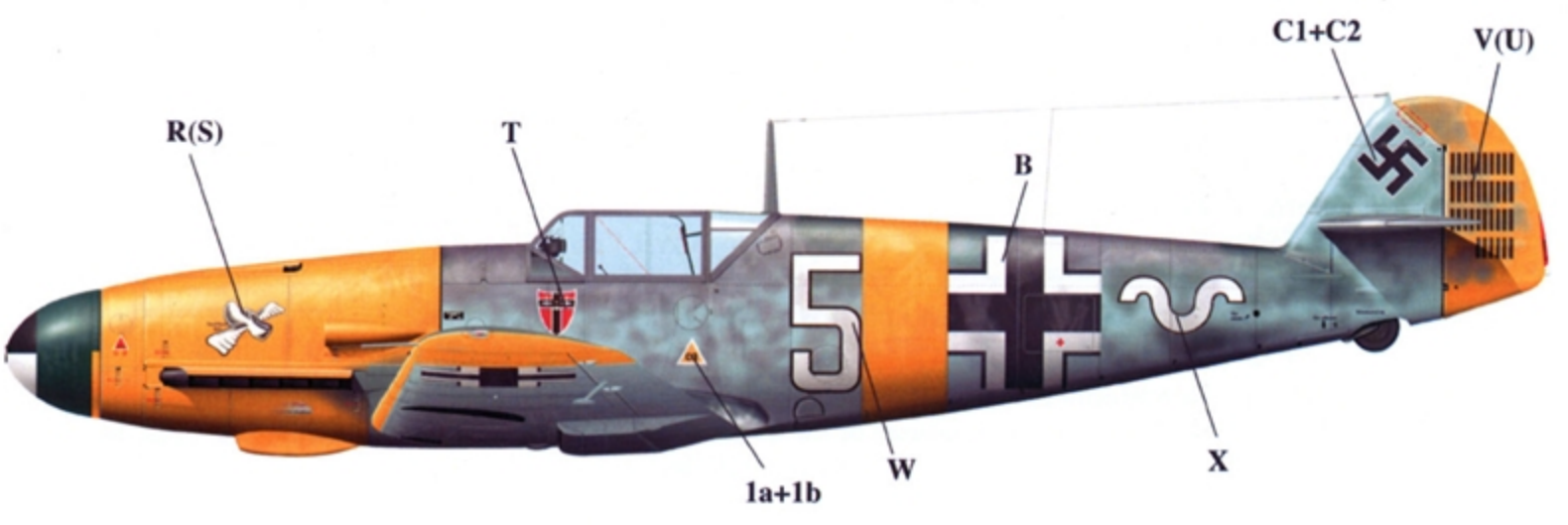
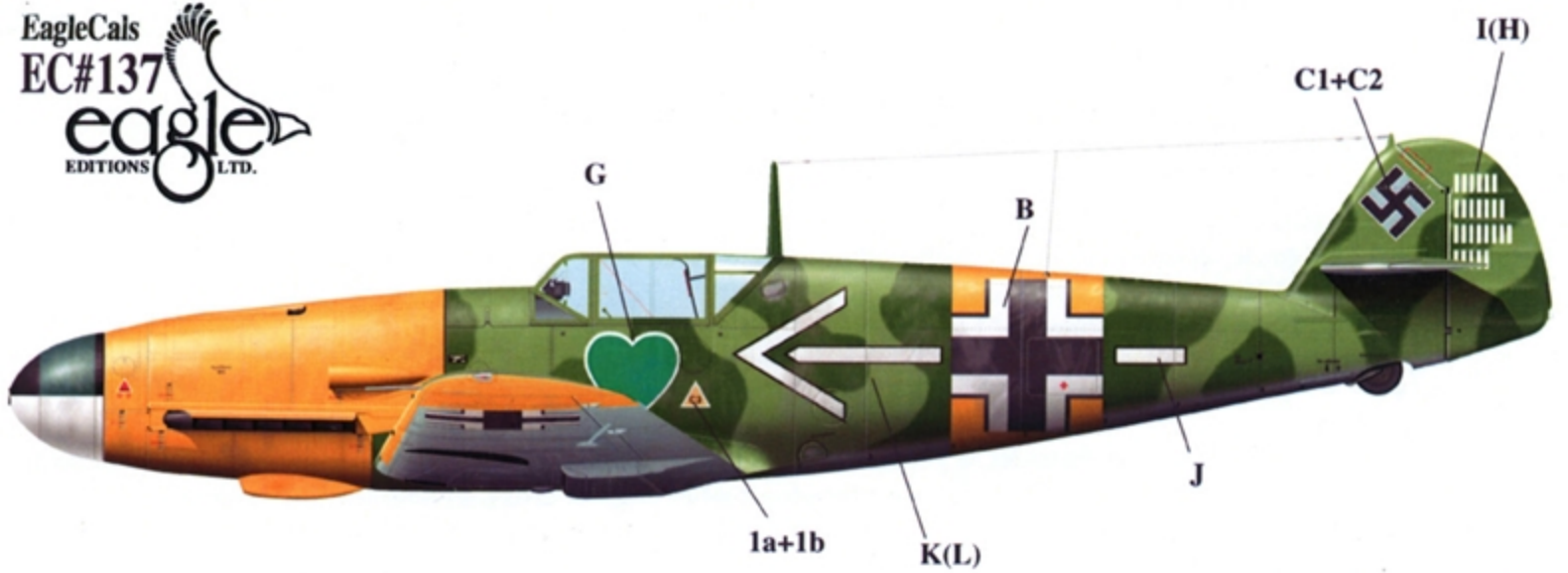
Lt. Max-Hellmuth Ostermann

7/JG 54

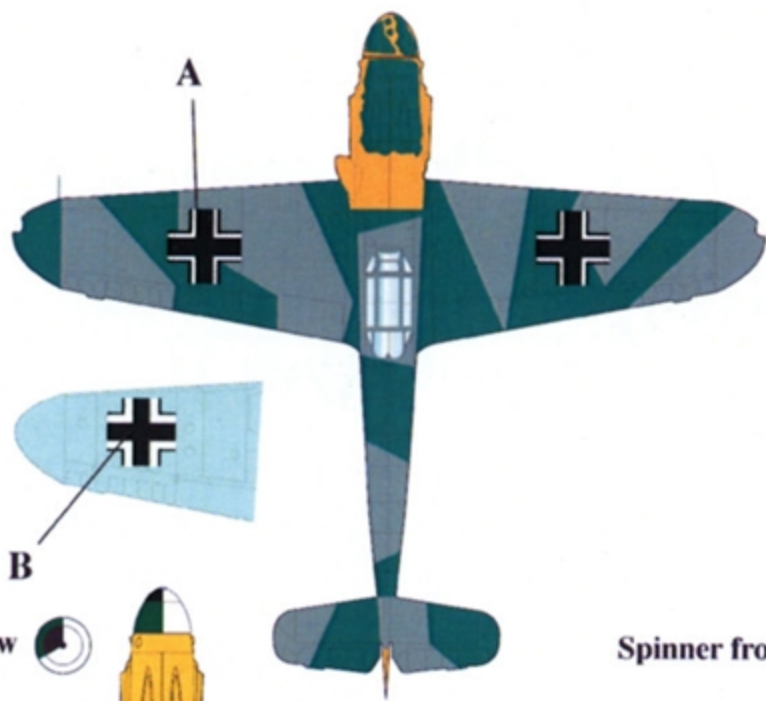




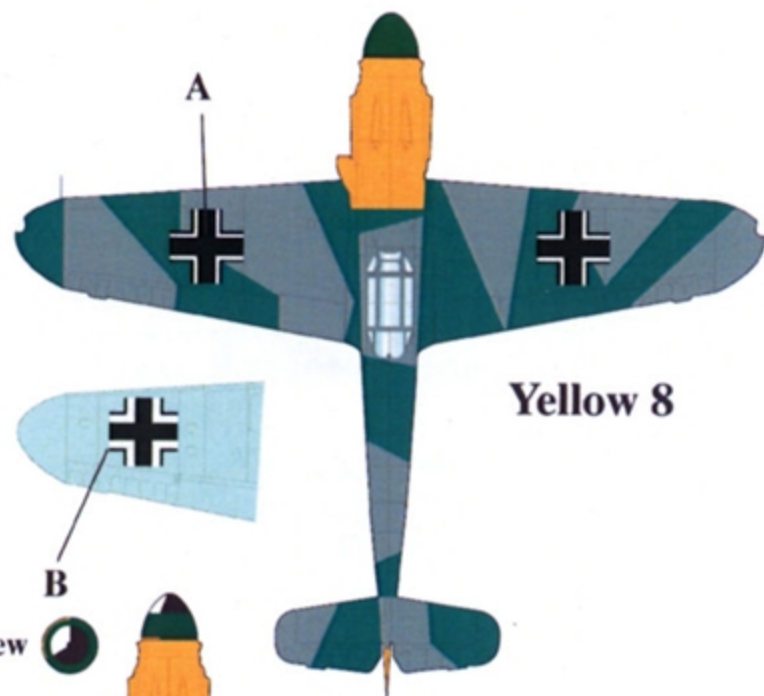
EagleCals
 EC#137
 eagle
 EDITIONS LTD.



Yellow 1



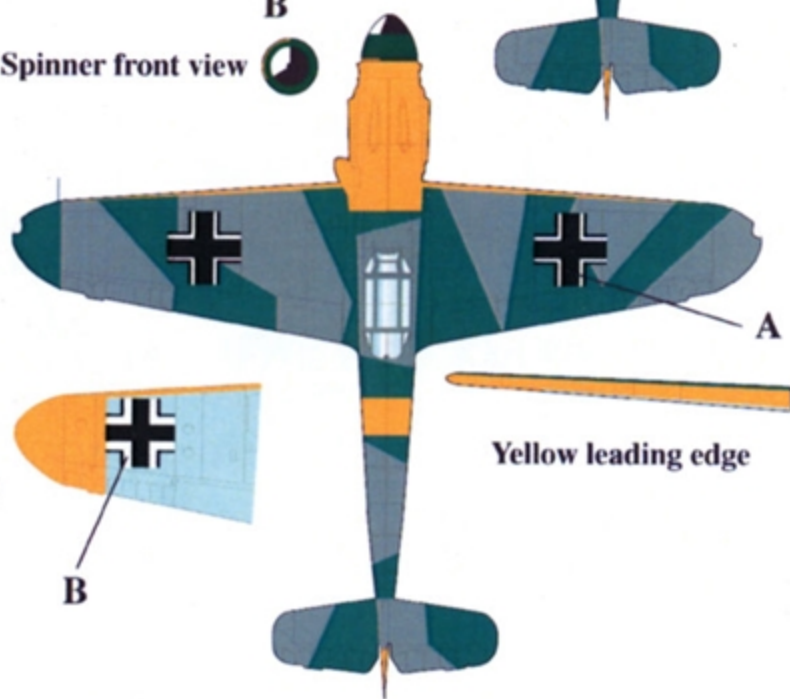
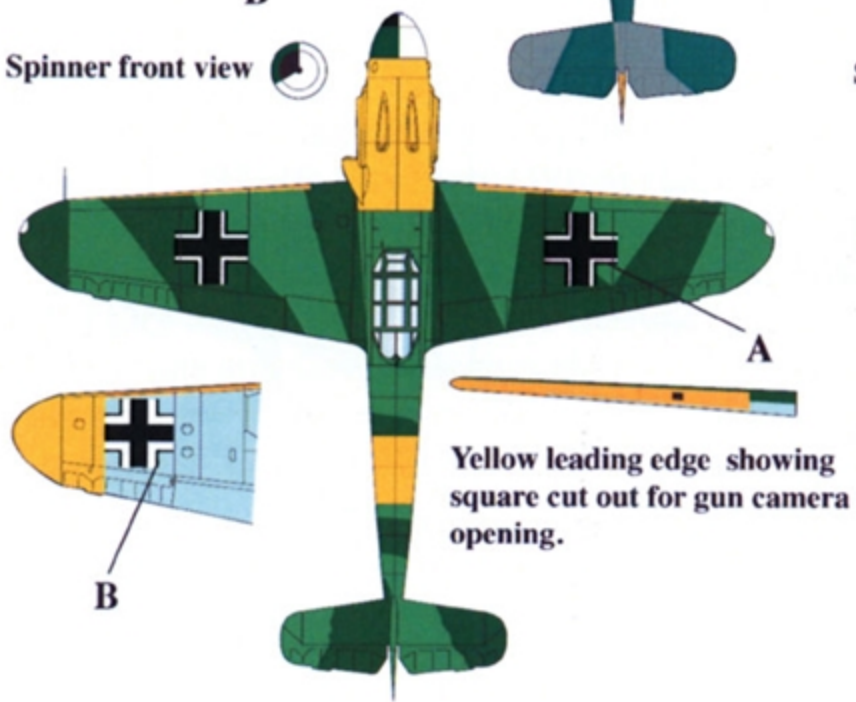
Yellow 8



Spinner front view

Spinner front view

<-+-



White 5

Yellow leading edge showing square cut out for gun camera opening.

Yellow leading edge

EagleCals #137

Bf 109 F-2s

"Yellow 8" 9./JG 2 Fw. Heinz Jahner Ligescourt, France Summer 1941

Overhead armor in canopy.

Colors: Undersurfaces; RLM 76. Uppersurfaces; RLM 74/RLM 75. Yellow cowling, Yellow rudder. RLM 70 Black-Green prop and spinner. 9. *Staffel* mosquito emblem on both sides of engine cowl, JG 4 shield on both sides of fuselage

National Markings: Fuselage: B2 900 mm Black/White with Black outline crosses

H2 300 mm Black/White *Hakenkreuz* trimmed in Black

Wings: Upper; B2 1000 mm Black/White trimmed in Black crosses

Lower; B2 900 mm Black/White trimmed in Black crosses

Stenciling: Factory standard, C-3 octane triangle.

Research: Luftwaffe Gallery #1, Erich Mombeek, page 13

"Yellow 1" 6./JG 53 Uffz. Felix Sauer France Spring 1941

Overhead armor in canopy.

Colors: Undersurfaces; RLM 76. Uppersurfaces; RLM 75/RLM 74. Yellow cowling and spinner, partially overpainted. Yellow rudder

National Markings: Fuselage: B2 900 mm Black/White with Black outline crosses

H2 300 mm Black/White *Hakenkreuz* trimmed in Black

Wings: Upper; B2 1000 mm Black/White trimmed in Black crosses

Lower; B2 900 mm Black/White trimmed in Black crosses

Stenciling: Factory standard, C-3 octane triangle.

Research: Luftwaffe Gallery #1. Erich Mombeek, page 18, 19

"< - + -" Major Hannes Trautloft Kommodore JG 54 Siwerskaja, Soviet Union Fall 1941

Overhead armor in canopy. Square cut out on port wing leading edge for gun camera, scrap of this provided.

Colors: Undersurfaces; RLM 76. Uppersurfaces a non-standard medium Green and Dark Green. Spinner - 3/4 White/ 1/4 RLM 70 Black-Green with front portion Black. Backing plate Black. Upper wings unknown, standard camouflage pattern provisional. Motor cowling Yellow with light mottling of Green on the top. Yellow band behind fuselage cross. Yellow underwing tips to edge of cross and wing leading edge not quite to wing root. 26 White victory bars on both sides of rudder. *Hakenkreuz* masked off with light Blue showing through

National Markings: Fuselage: B2 900 mm Black/White with Black outline crosses

H2 300 mm Black/White *Hakenkreuz* trimmed in Black

Wings: Upper; B2 1000 mm Black/White trimmed in Black crosses

Lower; B2 900 mm Black/White trimmed in Black crosses

Stenciling: Factory standard, C-3 octane triangle.

Reference: Jagdfliegerverbände, Jochen Prien, Teil 6/II Barbarosa page 178

Messerschmitt Bf 109 F Model Art Number 408, page 163

Markings and Camouflage Systems of Luftwaffe Aircraft in WWII Vol. 3, Karl Ries, Jr. page 111

"White 5" 7./JG 54 Lt. Max-Hellmuth Ostermann Dno, Soviet Union Sept 1941

Overhead armor in canopy.

Colors: Undersurfaces, RLM 76. Uppersurfaces RLM 74/RLM 75. Yellow engine cowling, Yellow rudder, mottled over with camouflage color. Yellow fuselage band, Yellow underwing tips to edge of cross, Yellow leading edge wing. Spinner - Rear portion Black, front portion half Black/half White. A portion of the back plate is Yellow. 36 Black victory bars on both sides of rudder. III./JG 54 Shield on both sides of fuselage. 7./JG 54 flying wooden shoe is on both sides of the engine cowling.

National Markings: Fuselage: B2 900 mm Black/White with Black outline crosses

H2 300 mm Black/White *Hakenkreuz* trimmed in Black

Wings: Upper; B2 1000 mm Black/White trimmed in Black crosses

Lower; B2 900 mm Black/White trimmed in Black crosses

Stenciling: Factory Standard, C-3 octane triangle.

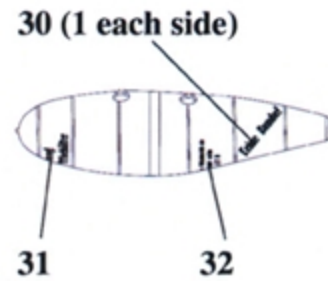
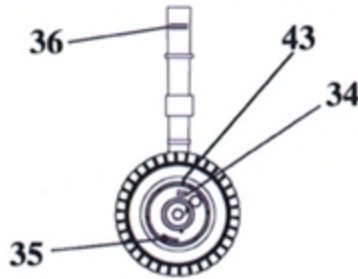
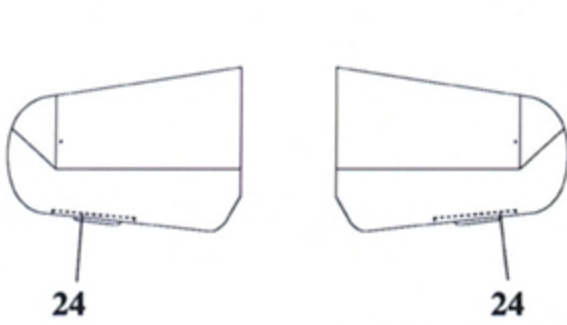
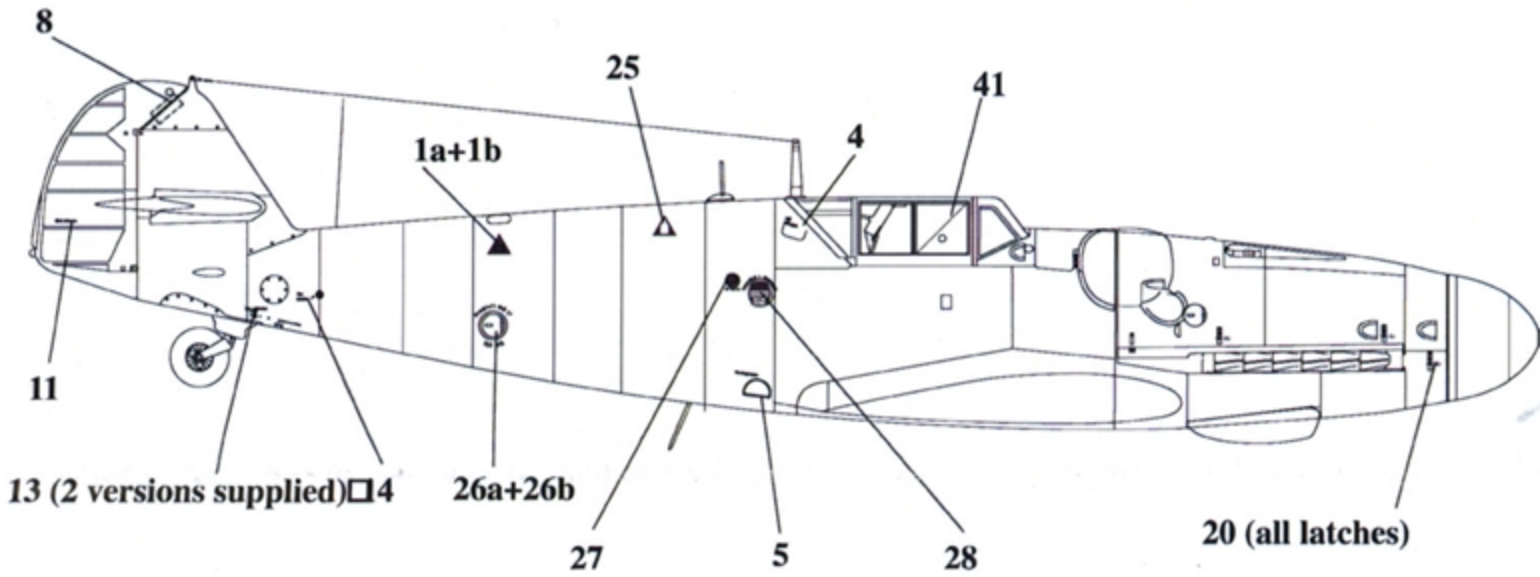
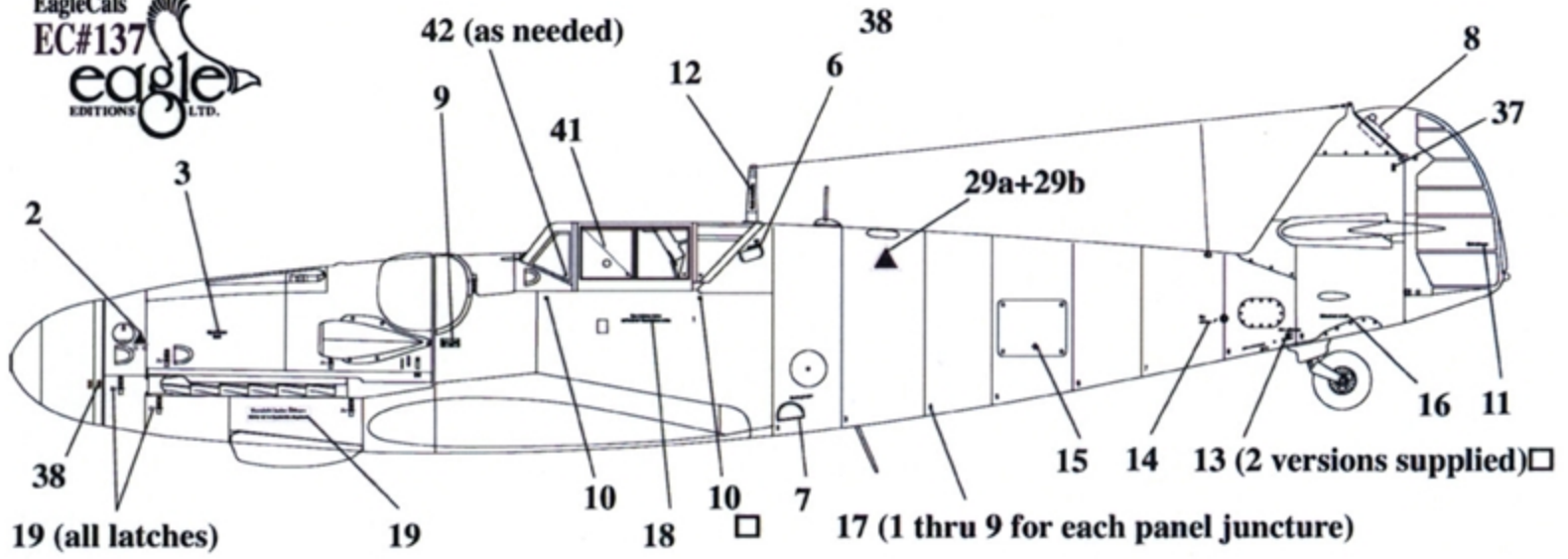
Reference: Markings and Camouflage systems of Luftwaffe Aircraft in WWII Vol. 3, Karl Ries, Jr. page 111

© 2011 Eagle Editions Ltd. All images/photos copyrighted by Eagle Editions Ltd.

P.O. Box 580 Hamilton MT 59840 www.eagle-editions.com

No copies may be reproduced without written consent from publisher Eagle Editions Ltd.

The color schemes depicted are the artist's interpretations of the available photographic references only. The final decision resides with the modeler.



39A=Bf 109 G-2
 39B=Bf 109 G-2
 39C=Bf 109 G-6
 39D=Bf 109 K-4

39A=Bf 109 G-2
 39B=Bf 109 G-2
 39C=Bf 109 G-6
 39D=Bf 109 K-4

