

1/35 MILITARY MINIATURE VEHICLE UPGRADE SERIES PE35862

WWII German Pz.KPfw.III Ausf.L basic

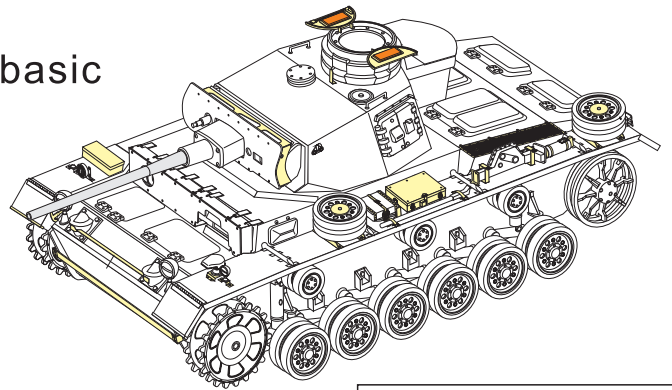
二战德军III号坦克L型基本改造件










[For DRAGON 6387]


■ 推荐使用工具 RECOMMENDED TOOLS



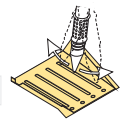
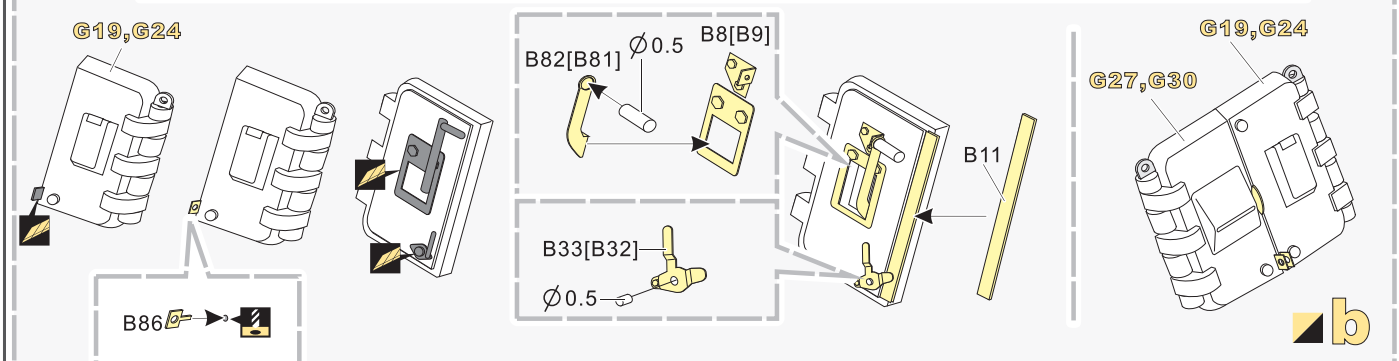
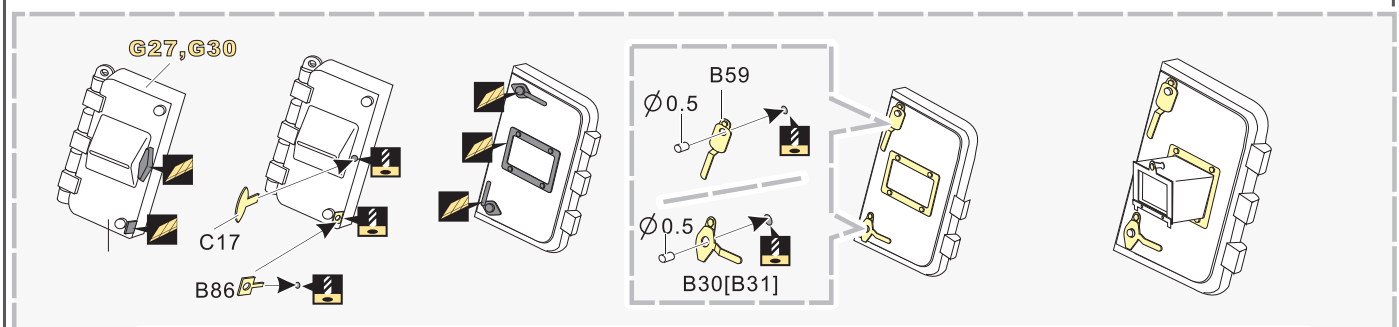
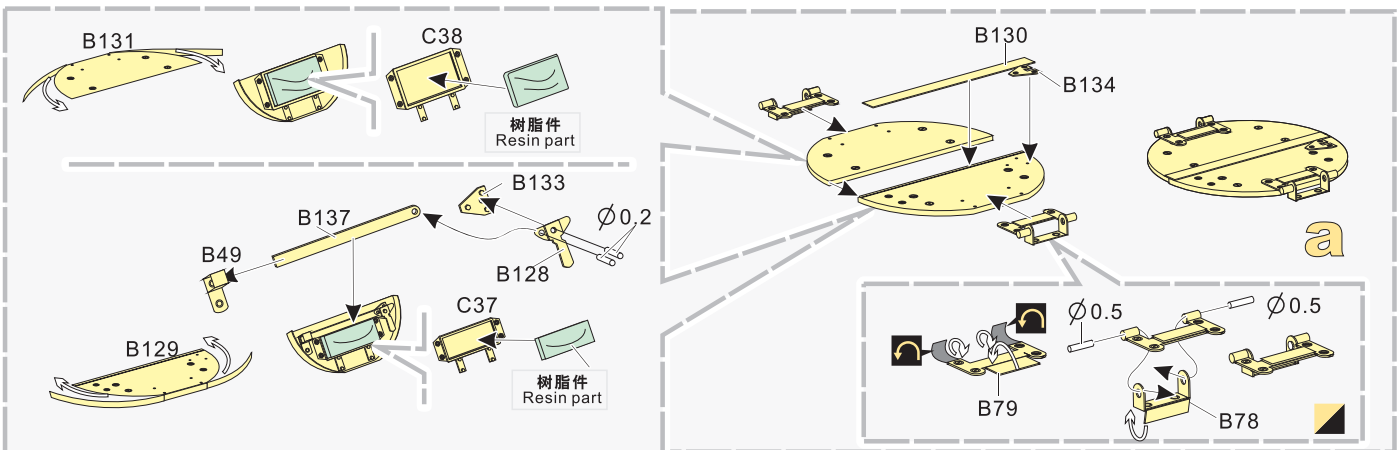
快干胶 Super glue 尖嘴钳 Needle nose pliers 镊子 Tweezers 美工刀 Craft knife 笔钻 pin vice



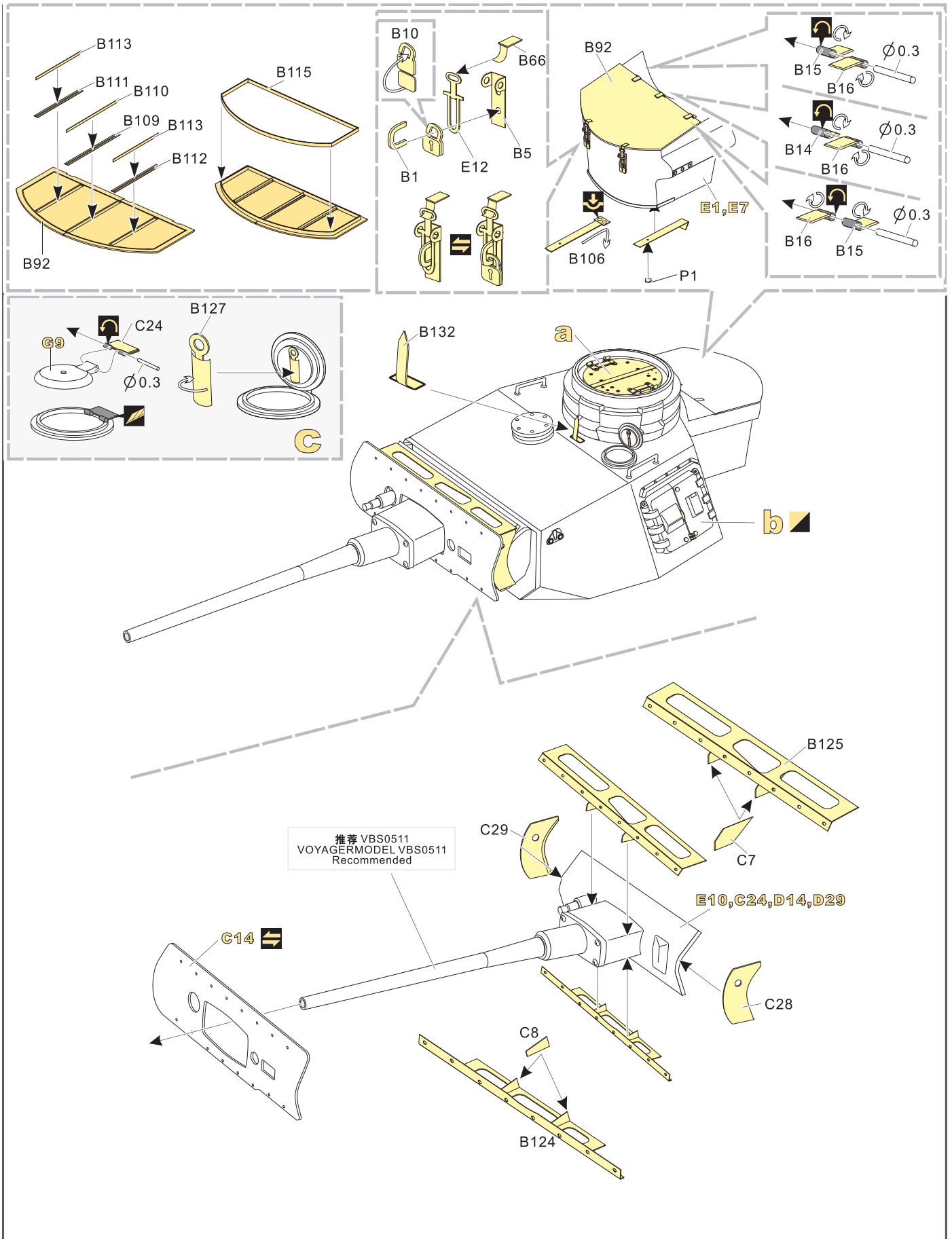
- 
 安装
install
- 
 折叠
bend
- A1**
 改造件零件编号
PE/resin part number
- B12**
 原零件编号
kit part number
- C22**
 被替换的原零件编号
replaced kit part number
- 
 另一侧相同制作
repeat on opposite side
- 
 切除
remove
- 
 打磨
grind off
- 
 弧度卷曲
radial bending
- x2**
 制作若干组
multiple assembly
- 
 选择安装
alternative
- 
 用铜管制作
make from brass tube
- 
 钻孔
drill


 用尖端在凹槽处冲压
use penpoint to press on the dent

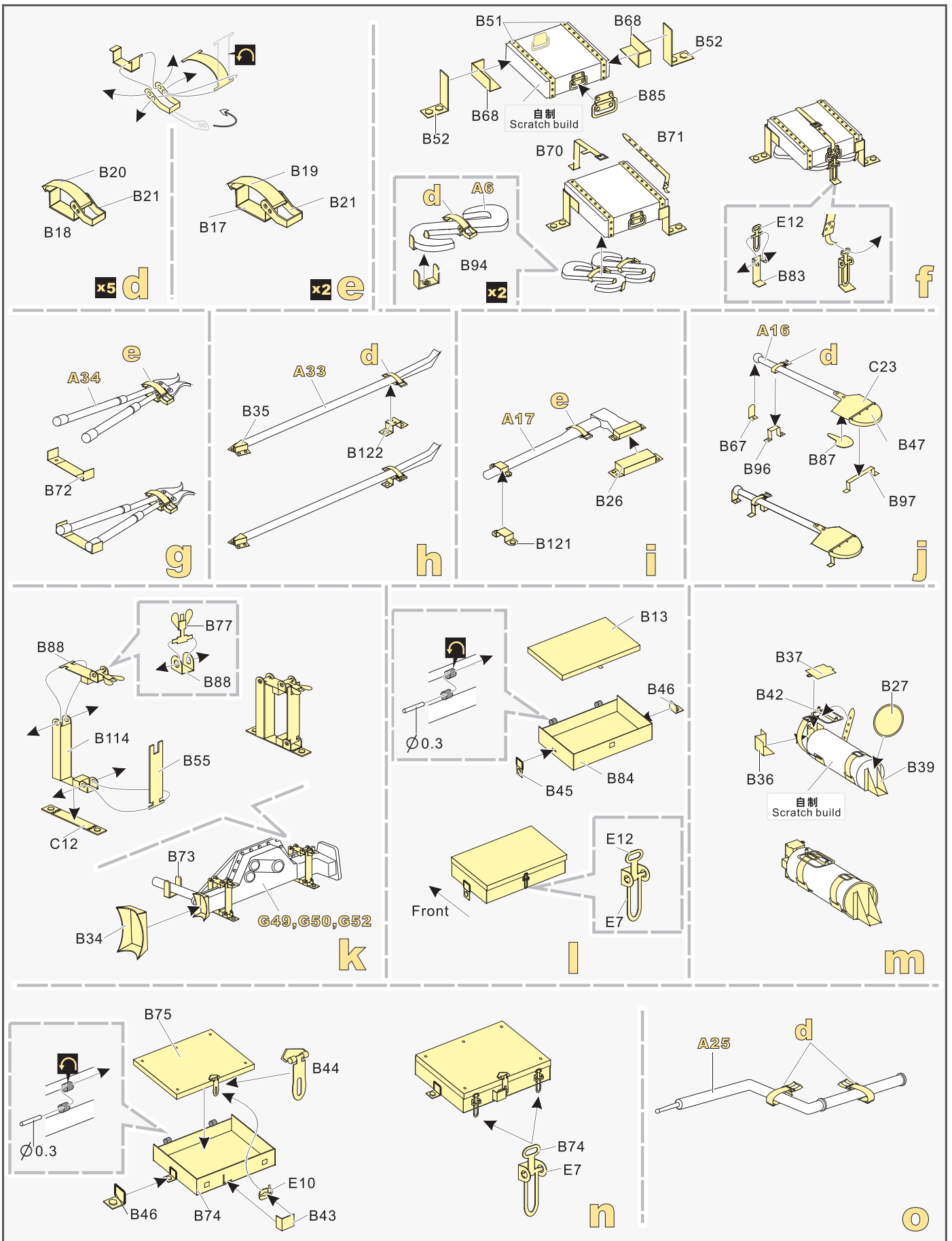
蚀刻片零件内侧面向上
Put the part upside down
 用笔尖在凹槽处刺
Use penpoint to press on the dent

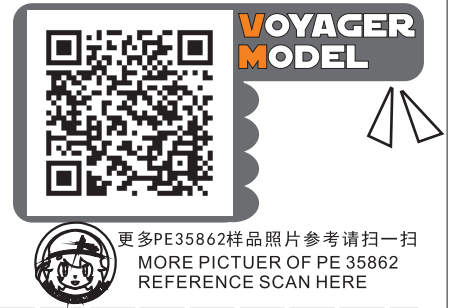
1/35 MILITARY MINIATURE VEHICLE UPGRADE SERIES PE35862



1/35 MILITARY MINIATURE VEHICLE UPGRADE SERIES PE35862

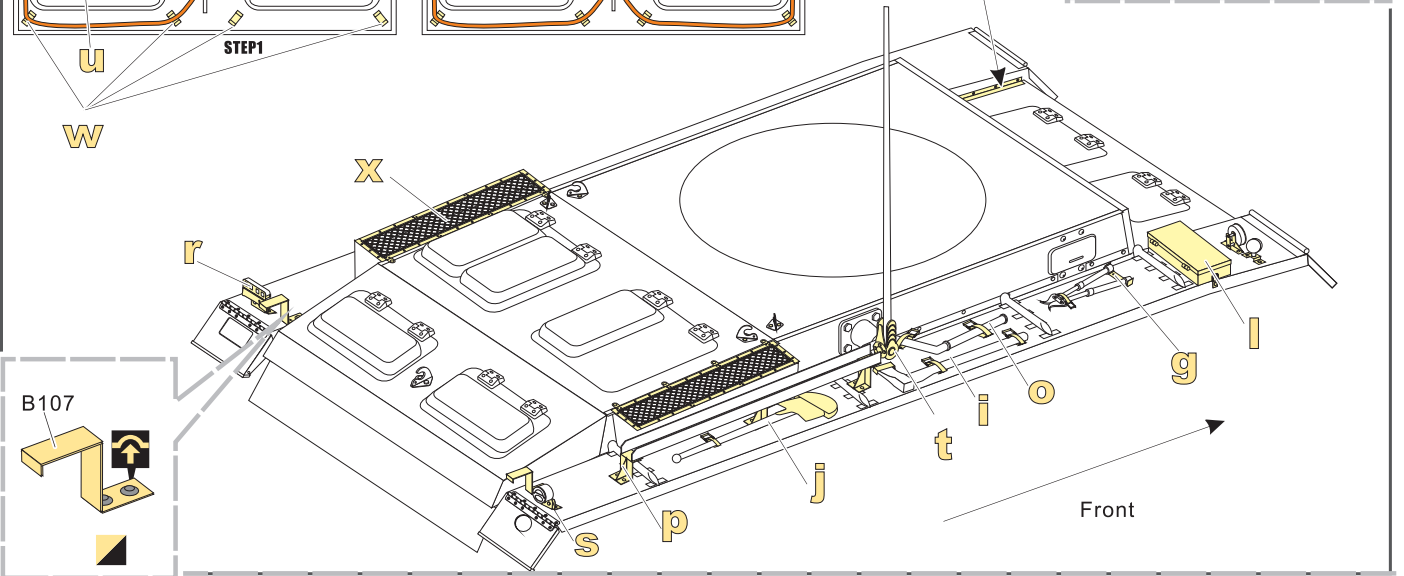
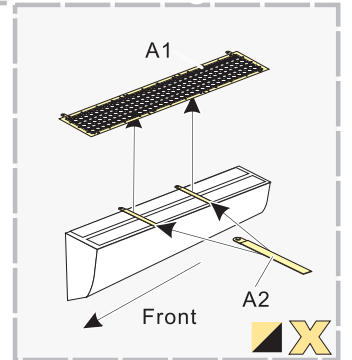
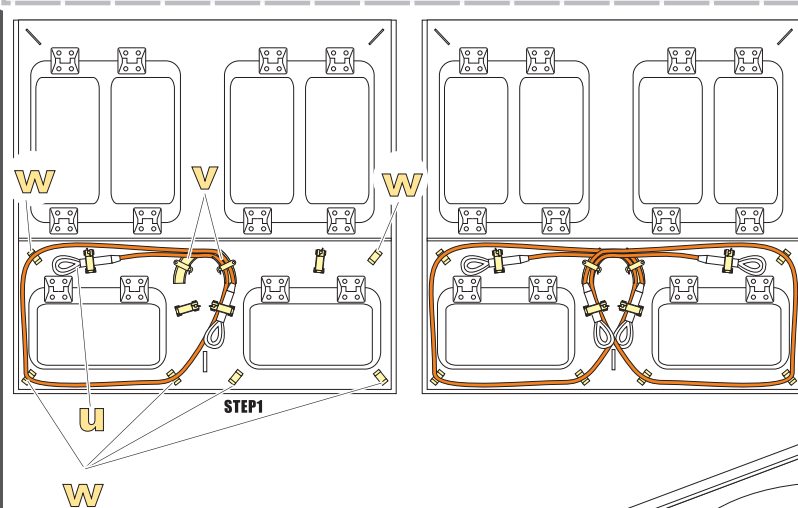
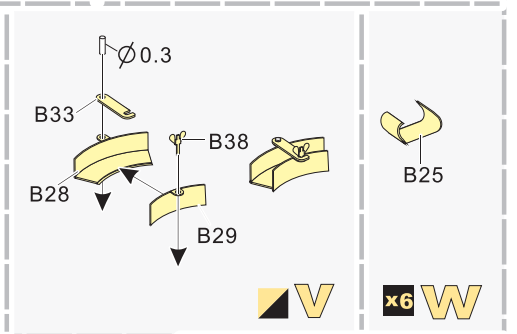
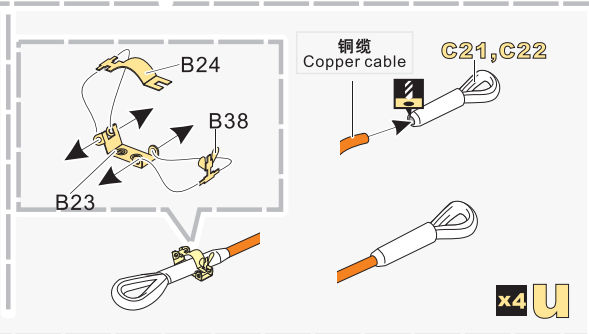
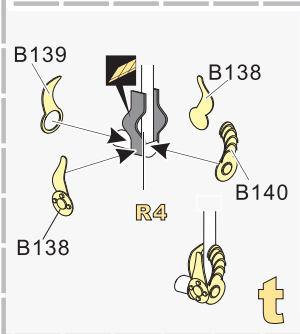
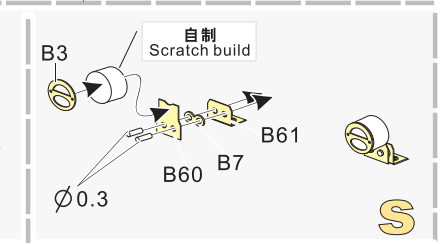
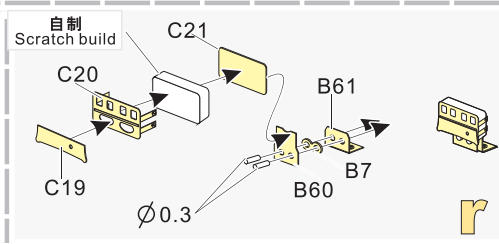
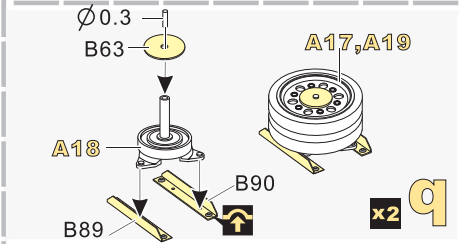
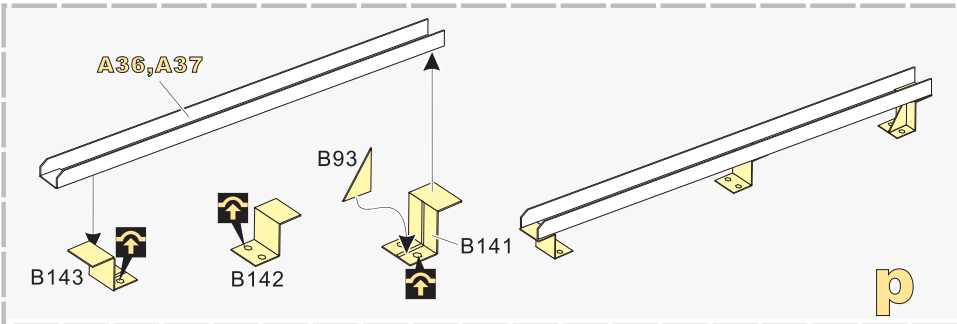


1/35 MILITARY MINIATURE VEHICLE UPGRADE SERIES PE35862



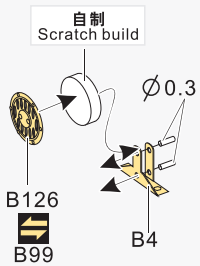
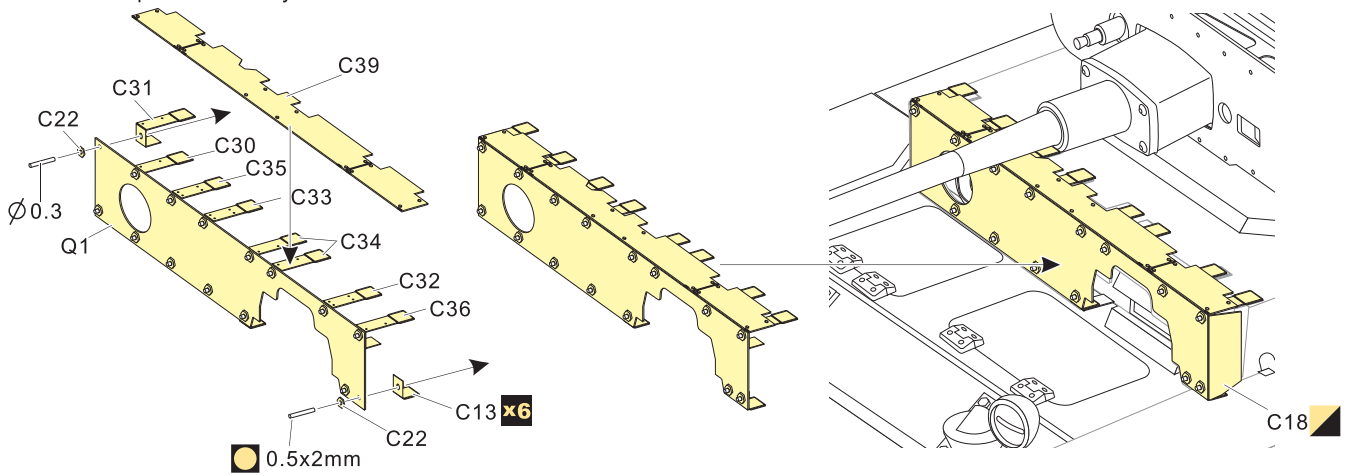
**VOYAGER
MODEL**

更多PE35862样品照片参考请扫一扫
MORE PICTUER OF PE 35862
REFERENCE SCAN HERE

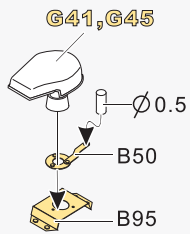


1/35 MILITARY MINIATURE VEHICLE UPGRADE SERIES PE35862

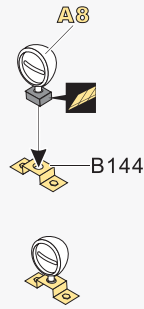
车体正面附加装甲制作
Front armour plate assembly



y



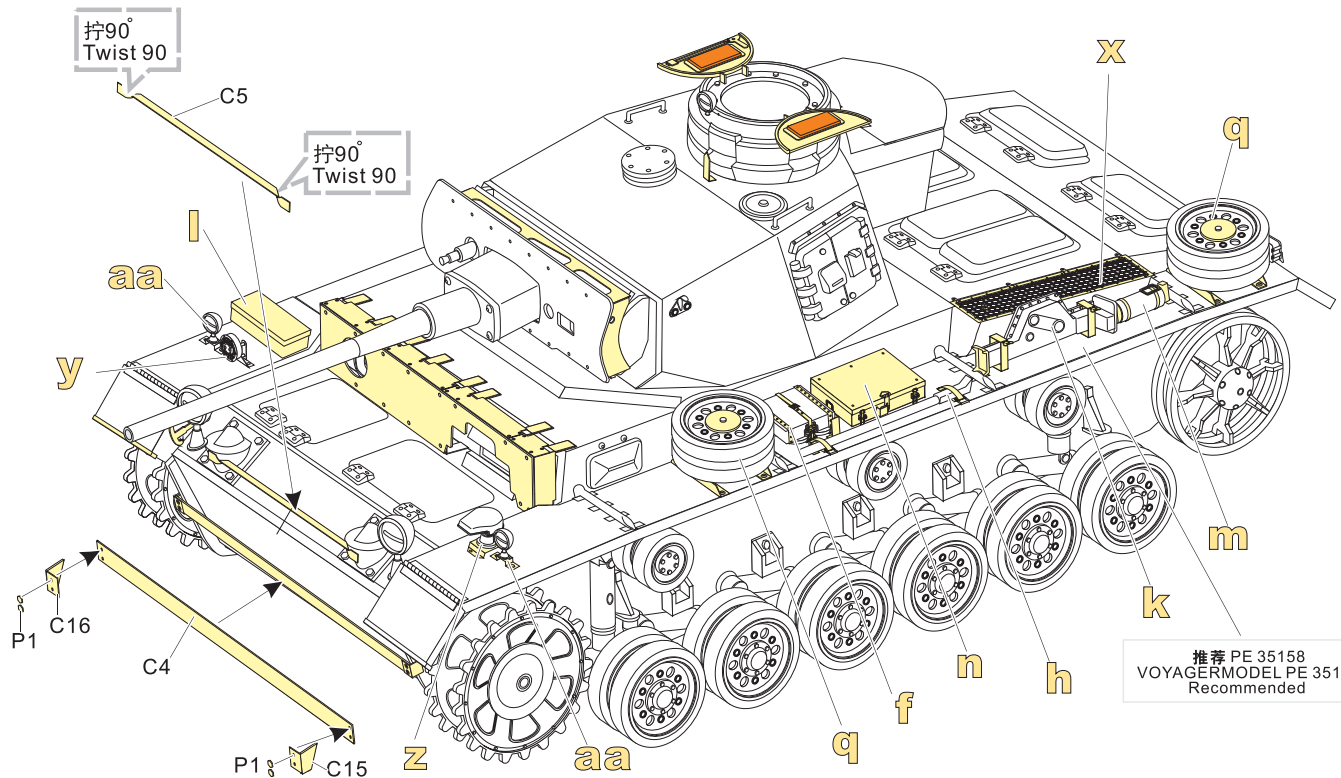
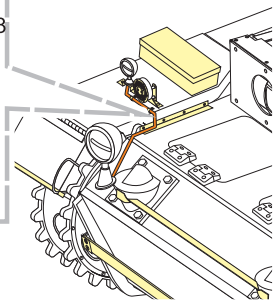
z



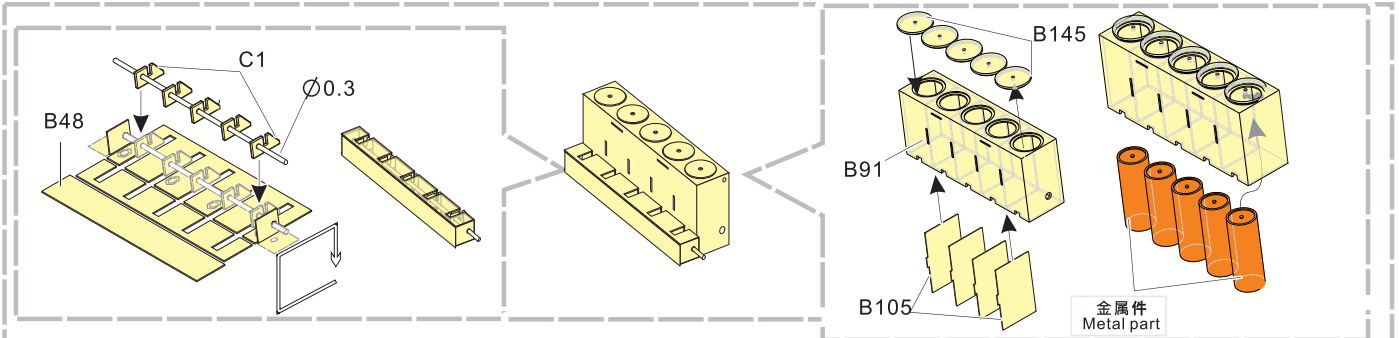
aa



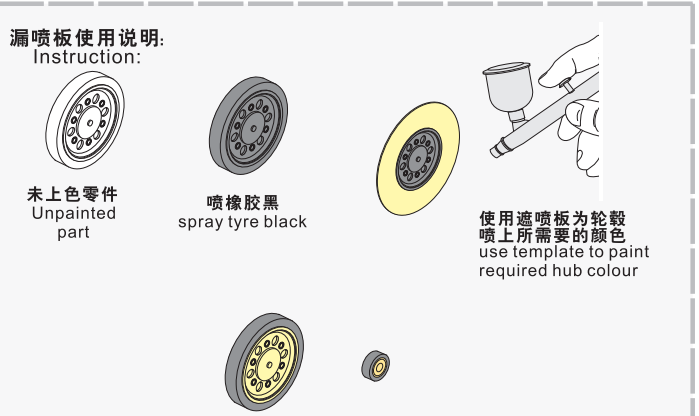
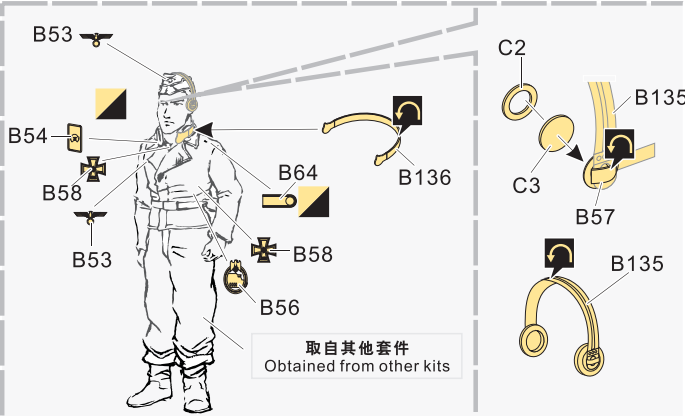
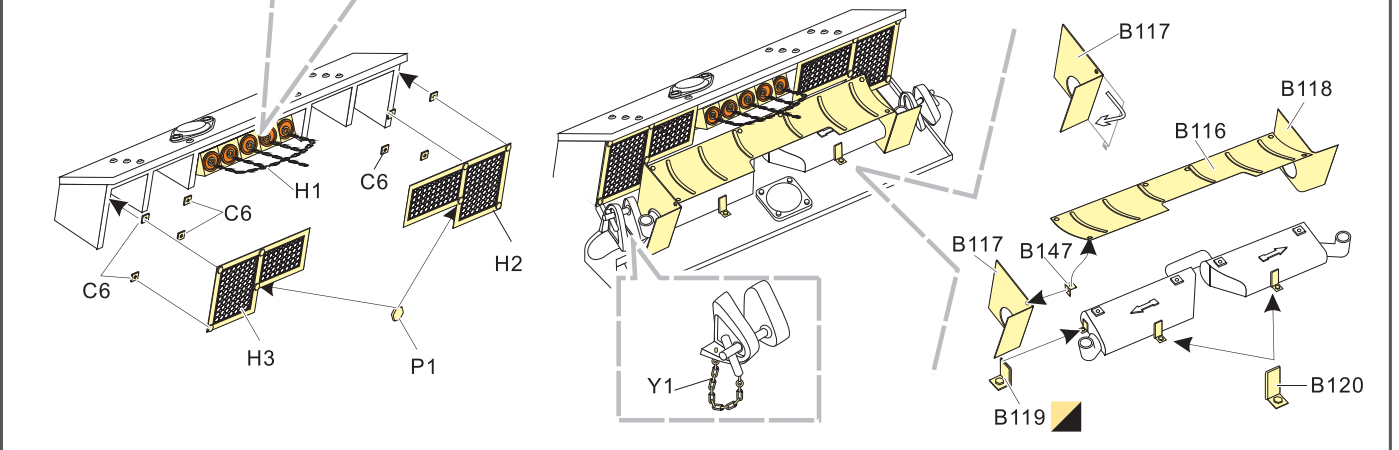
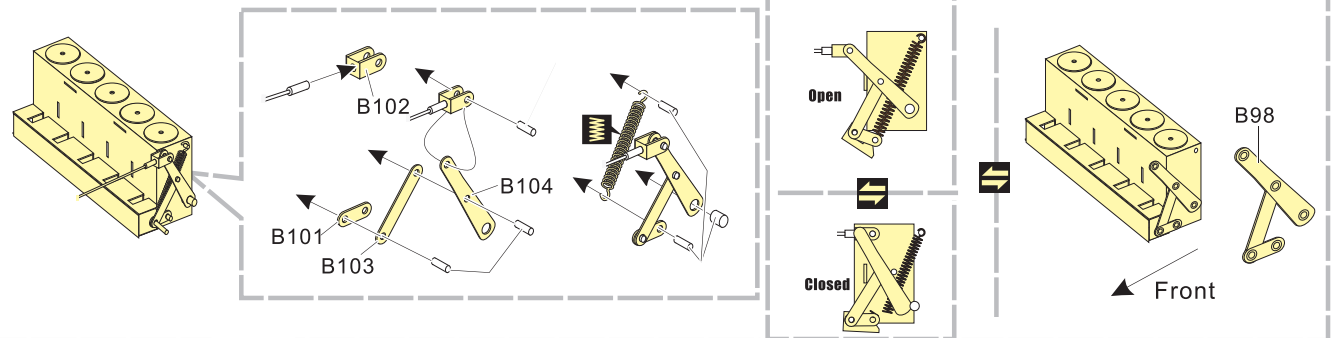
自制
Scratch build



1/35 MILITARY MINIATURE VEHICLE UPGRADE SERIES PE35862



⚠
此项改造适合高级的作者
For experienced builders only



VOYAGERMODEL® 无微不至 极尽享受
The Best Upgrade Solution

Recommended item

PE 35158	WWII German Pz.KPfw.III Mid-Late Production Fenders
PE 35157	WWII German Pz.KPfw.III Ausf.J
VBS0511	WWII German 50mm KwK39 L/60 Gun Barrel (Pz.III used)
PE 35228	WWII Pz.KPfw. III Ausf L
PE 35238	WWII German Pz.Kpfw.III Ausf.N
PE 35242	WWII German Pz.Kpfw.III Ausf.N sPz.Abt 501 Afrika
PEA 108	WWII German Pz.KPfw.III Late Production Damaged Road Wheels

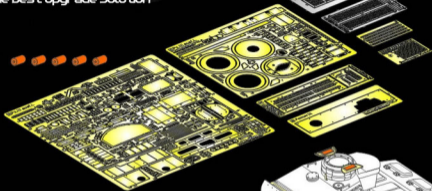
VOYAGERMODEL® 无微不至 极尽享受
The Best Upgrade Solution

Recommended item

PE 35294	WWII German StuG.III Ausf.G Late Production Basic
PE 35121	WWII German StuG.III Ausf.G Early Production Basic
PE 35337	WWII Pz.KPfw. III Ausf N late version
PE 35356	WWII Finnish army StuG.III basic
PE 35863	WWII German Pz.KPfw.III Ausf.M basic
PE 35476	WWII German STUG III. Ausf.SIG33
PE 35630	WWII German StuG.III Ausf.G Late Production Basic

VOYAGERMODEL®

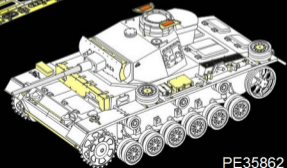
The Best Upgrade Solution



銅線(Copper cable)0.5mm x 15cm x 2

鋼絲(Steel wire)0.3mm x 8cm x 1

ABS棒(ABS rod)0.5mm x 5cm x 1



PE35862

VOYAGERMODEL[®]
The Best Upgrade Solution



PE35862 PE35158 VT35018 PEA108

VOYAGERMODEL[®]
The Best Upgrade Solution



PE35862 PE35158 VT35018

VOYAGERMODEL[®]
The Best Upgrade Solution



PE35862 PE35158 VT35018

VOYAGERMODEL[®]
The Best Upgrade Solution



PE35862 PE35158 VT35018 PEA108

VOYAGERMODEL[®]
The Best Upgrade Solution



PE35862 PE35158 VT35018 PEA108

VOYAGERMODEL[®]
The Best Upgrade Solution



PE35862 PE35158 VT35018

VOYAGERMODEL[®]
The Best Upgrade Solution



PE35862 PE35158 VT35018 PEA108

VOYAGERMODEL[®]
The Best Upgrade Solution



PE35862 PE35158 VT35018 PEA108

VOYAGERMODEL[®]
The Best Upgrade Solution



PE35862 PE35158 VT35018 PEA108

VOYAGERMODEL[®]
The Best Upgrade Solution



PE35862 PE35158 VT35018

VOYAGERMODEL[®]
The Best Upgrade Solution



PE35862 PE35158 VT35018

VOYAGERMODEL[®]
The Best Upgrade Solution



PE35862 PE35158 VT35018 PEA108

VOYAGERMODEL[®]
The Best Upgrade Solution



PE35862 PE35158 VT35018 PEA108

VOYAGERMODEL[®]
The Best Upgrade Solution



PE35862 PE35158 VT35018

VOYAGERMODEL[®]
The Best Upgrade Solution

PE35862 PE35158
PZ III ausf.L
For **Dragon**

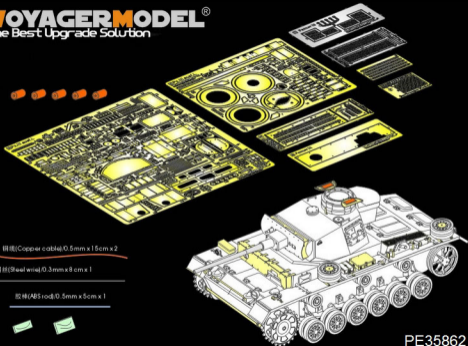
PE35836 PE35837
StuG III ausf.E
For **Dragon**

PE35862 PE35836.ETC



VOYAGERMODEL®

The Best Upgrade Solution



銅線(Copper cable)0.5mm x 15cm x 2

鋼絲(Steel wire)0.3mm x 8cm x 1

ABS棒(ABS rod)0.5mm x 5cm x 1

PE35862