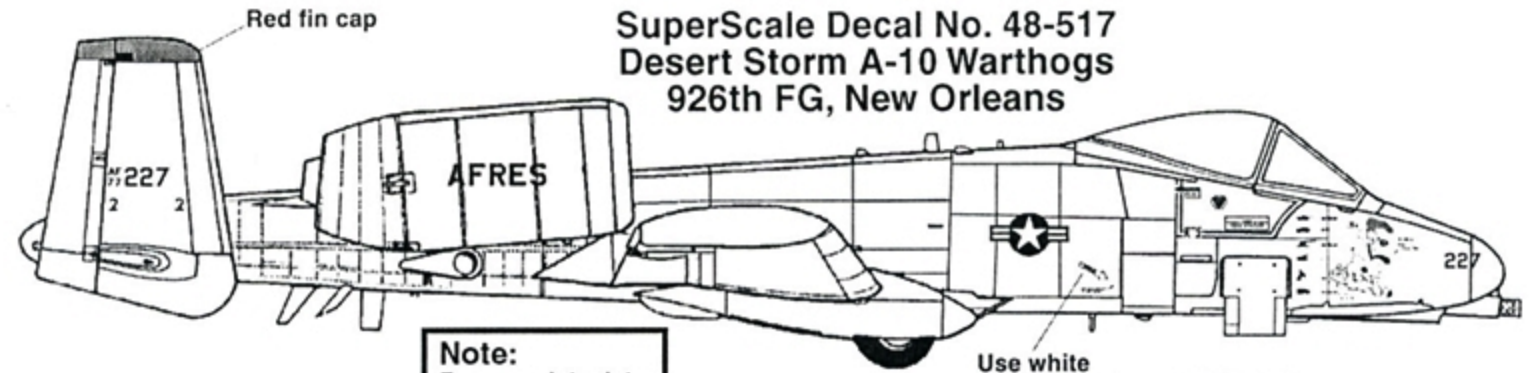


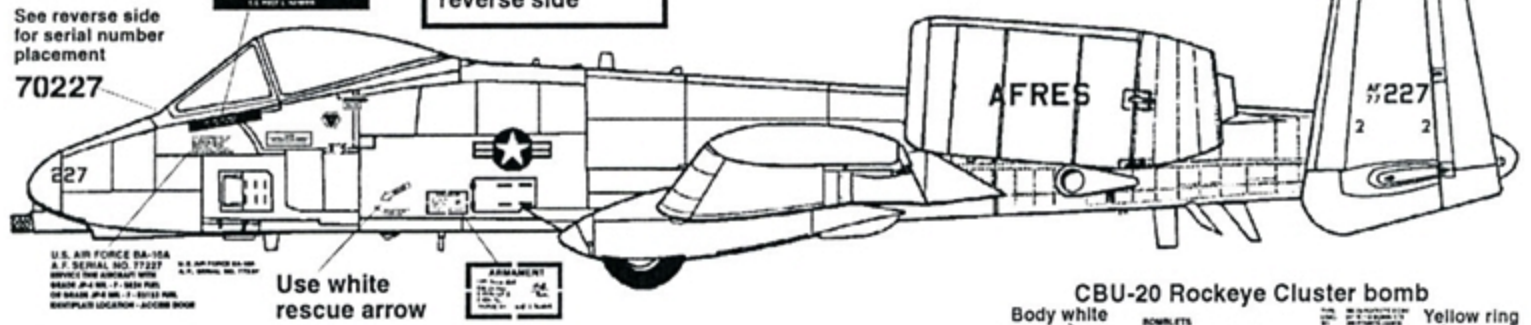
**SuperScale Decal No. 48-517  
Desert Storm A-10 Warthogs  
926th FG, New Orleans**



**Note:**  
For complete data  
placement refer to  
reverse side

Use white  
rescue arrow

Red fin cap



U.S. AIR FORCE BA-10A  
A.F. SERIAL NO. 77227  
OFFICE THE AIRCRAFT MGR  
MAILING #A 2 IN. 1- 1000 PMS  
OR GRAIN #A 2 IN. 1- 07101 PMS  
SHIPPLAN LOCATION - ACCESS BOOK

ARMAMENT

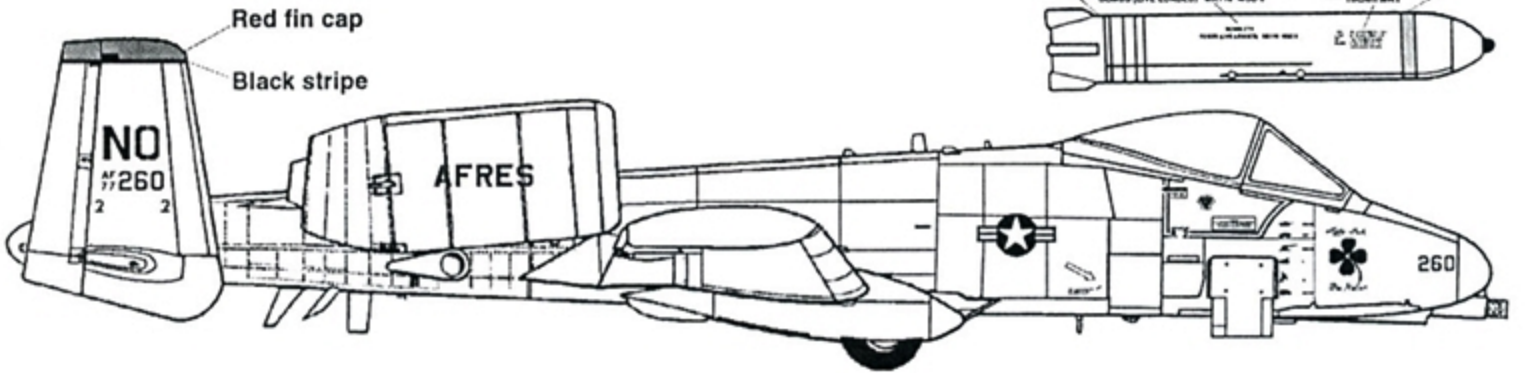
CBU-20 Rockeye Cluster bomb

Body white

ROCKETS

BOMBS SUITE LOADED

YELLOW RING

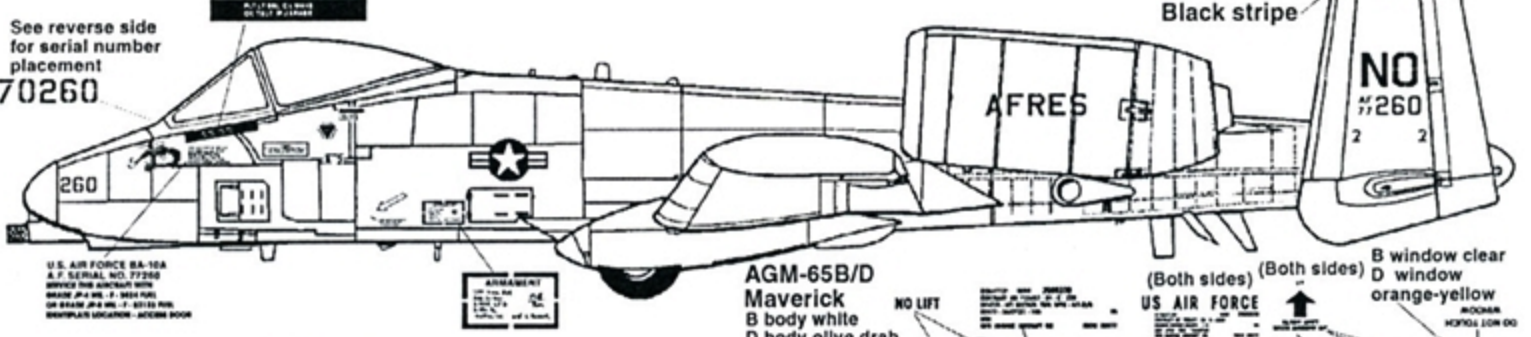


See reverse side  
for serial number  
placement

70260

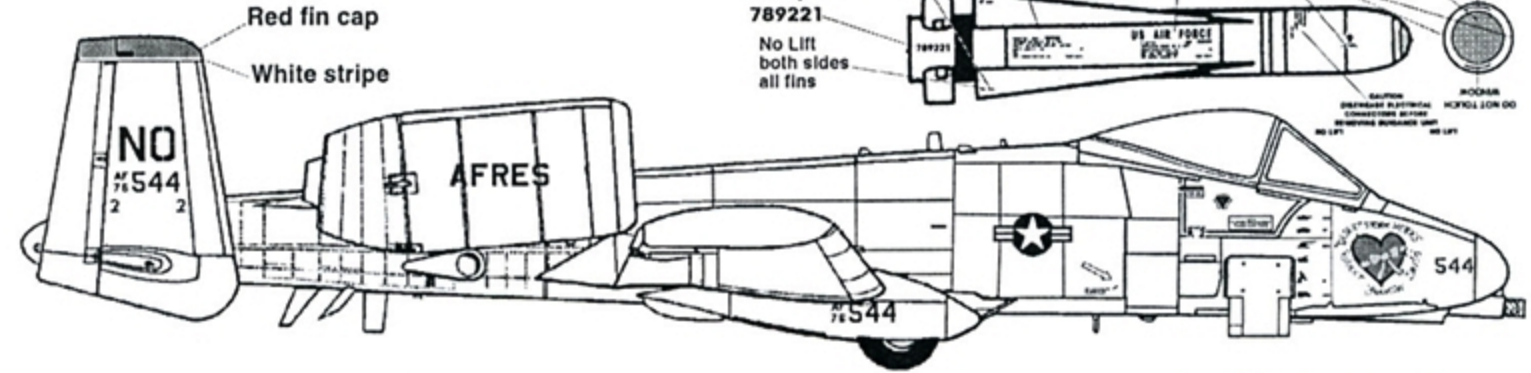
Red fin cap

Black stripe



Red fin cap

White stripe

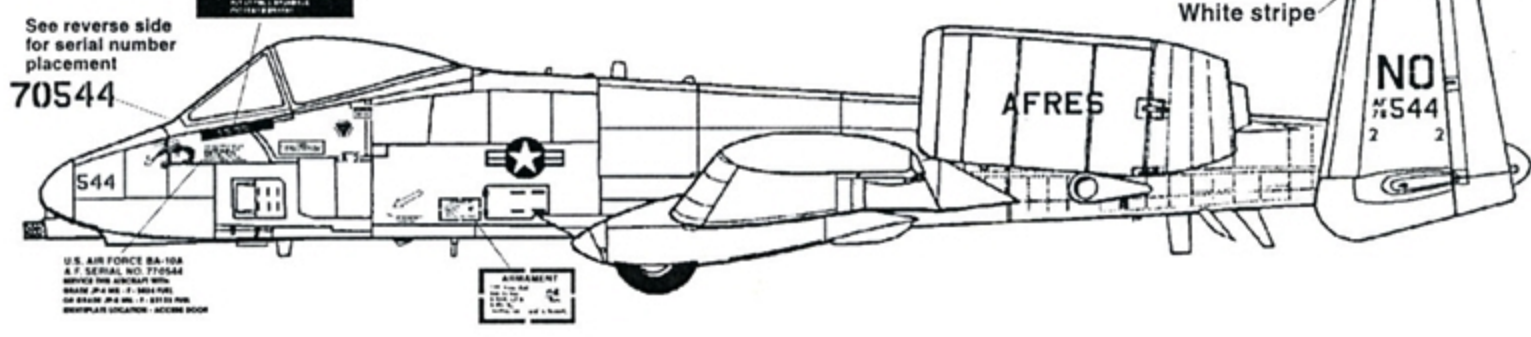


See reverse side  
for serial number  
placement

70544

Red fin cap

White stripe

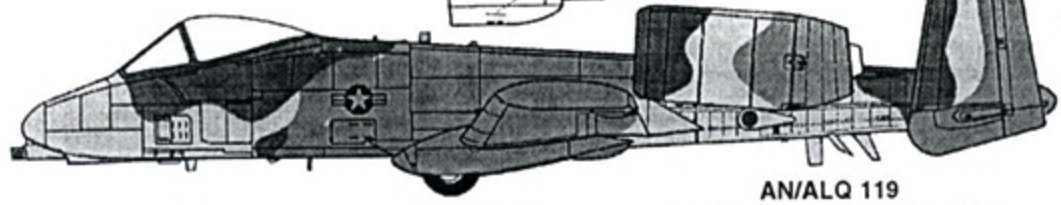
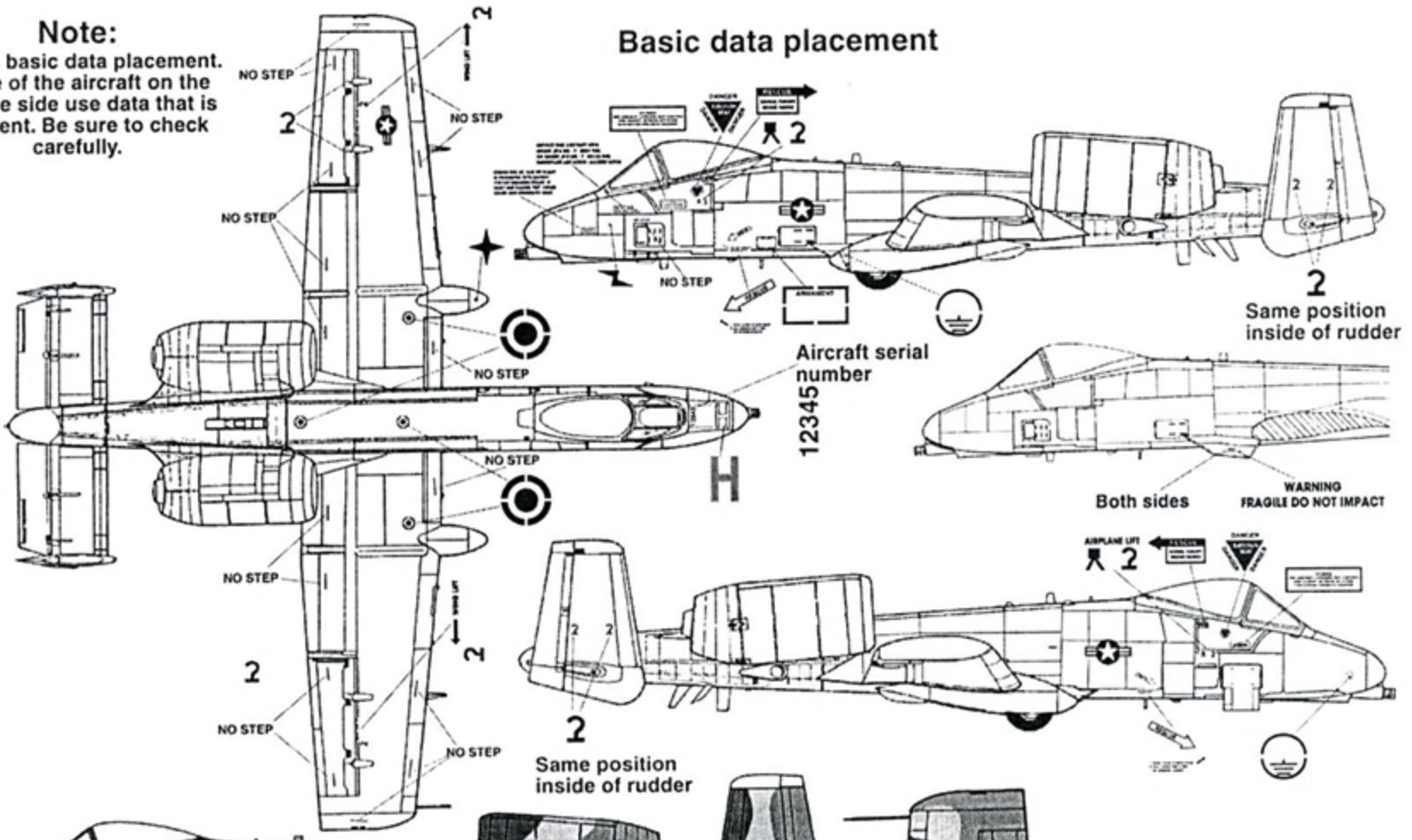




**Note:**

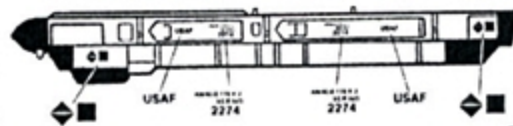
This is basic data placement. Some of the aircraft on the reverse side use data that is different. Be sure to check carefully.

**Basic data placement**



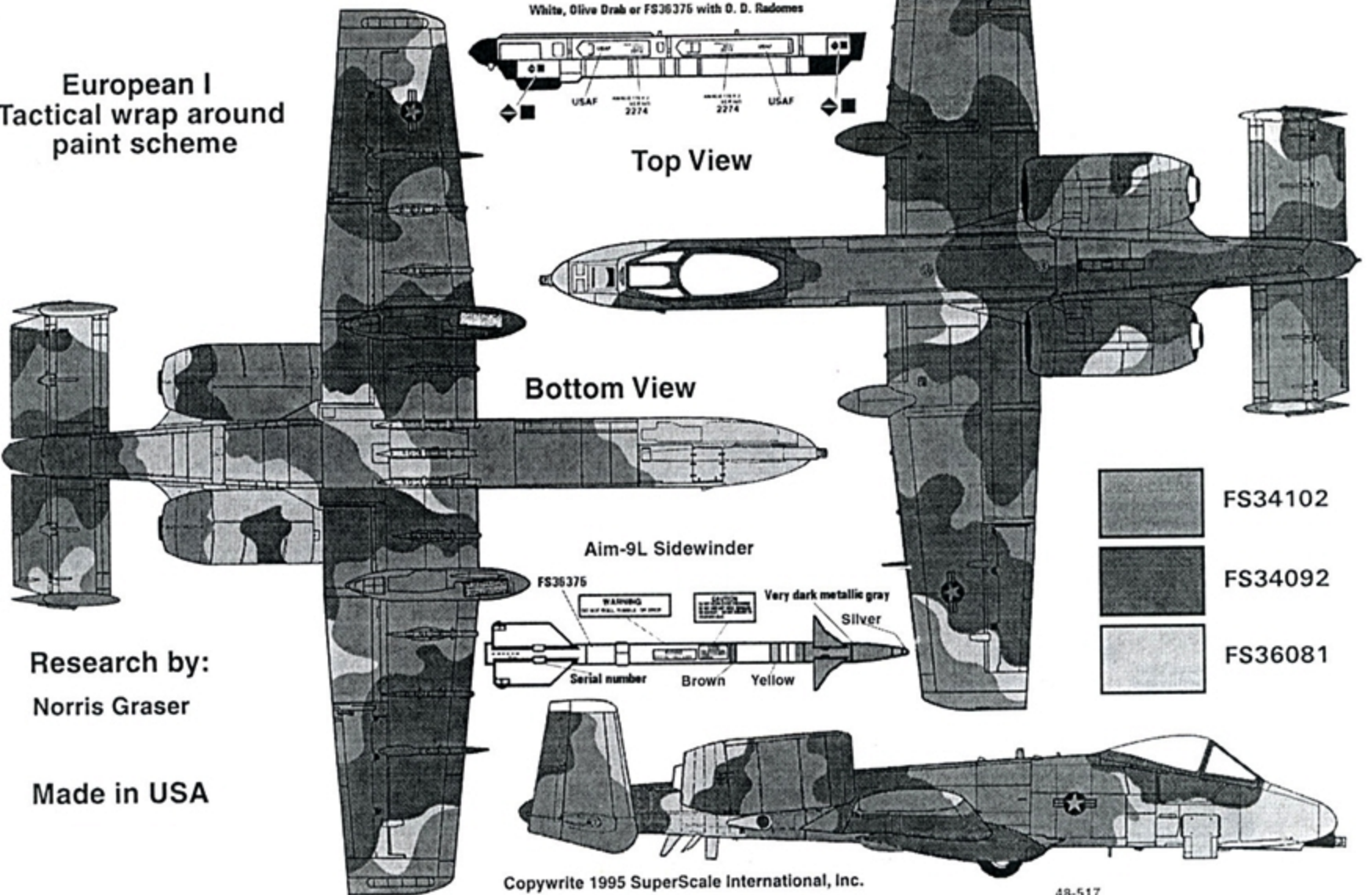
**AN/ALQ 119**

White, Olive Drab or FS36376 with O. D. Radomes



**Top View**

**European I Tactical wrap around paint scheme**



**Bottom View**

**Aim-9L Sidewinder**

- FS34102
- FS34092
- FS36081

Research by:  
Norris Graser

Made in USA