



IDF Merkava Mk.III

メルカバ Mk.III

以色列“梅卡瓦”3D型主战坦克

PLEASE READ BEFORE OPERATION!

- * Tools recommended as below: (Not included)
Adhesives; Paints; Side Cutters; Sharp Edged Pliers; Modeling Knife; Modeling File; Nippers; Drill; Scissors; Sand Paper; Soft Cloth; Cyanoacrylate Glue.
- * Make sure to read this instruction listed below before assembling.
- * The kit contains the small parts, they can be dangerous if swallowed by mistake, so keep them away from reach of children.
- * Cut the all parts off carefully and remove the waste parts into the garbage can.
- * More caution and care should be needed for cutting and handling the photo etched parts.
- * Make attention that some parts should be attached the decal when assembled.
- * During assembling, please tear up and throw away the plastic bags, or may cause the dangerous if wearing over head by children's mistake.
- * When using the adhesives and paints, please do not use them in the closed room or near the fire, also must be very careful to protect your eyes, face and clothes.
- * Adult supervised when assembled by children under 14 years old.

装配前请仔细阅读:

- * 推荐使用的模型工具(请自备):
专用模型胶水, 专用模型油漆, 水口剪刀, 长咀钳, 刀片, 锉刀, 镊子钳, 钻, 剪刀, 软布, 砂纸, 瞬间快干胶等。
- * 用水口剪刀或刀片小心切下所有塑胶零件和蚀刻片零件, 不要遗失小零件。
- * 切取蚀刻片时应特别注意防止利边划伤手指。
- * 用模型锉刀小心锉平所有零件表面的注射浇口。
- * 用适量的强力快干胶水粘合蚀刻片零件和金属轴, 切忌过量, 否则可能导致可动零件被粘住。
- * 注意某些零件表面需在装配时同步贴上水贴纸。
- * 制作时应远离幼儿并将包装袋及时收妥, 谨防小孩玩耍而引起意外。



cyanoacrylate glue
强力胶



weight
配重



make hole
钻孔



cut / remove
切除



option
选择



no cement
不涂胶水



decal
贴纸



bend
弯曲



repair
填补

The method to apply the decals

1. Cut off the decal from the decal paper and put it into the warm water 40°C for 10 seconds.
2. Take the decal from the water and put it on a piece of clean cloth.
3. Remove the decal slowly from the paper to the targeted location by a wet finger.
4. Use a piece of dry and soft cloth to press it gently on the decal until it getting dry and no bubble existing.

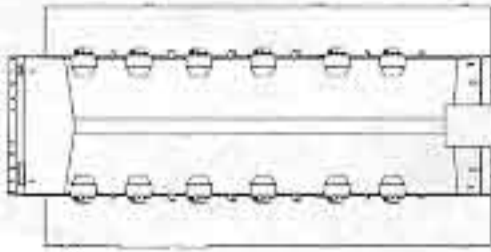
水贴纸的使用方法:

- 一. 把相关的印花从水贴纸上剪下, 放入40°C左右的温水中浸10秒。
- 二. 然后将印花放在干净的布上。
- 三. 拿上印花纸板, 手指蘸水将印花移到适当的位置。
- 四. 用软干布轻压印花直至水干, 气泡消失。

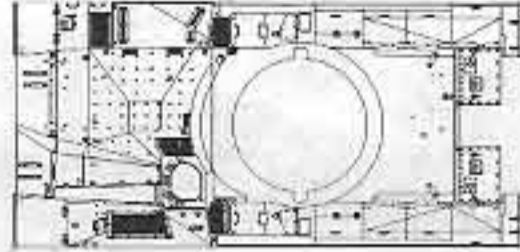
部品图

Parts

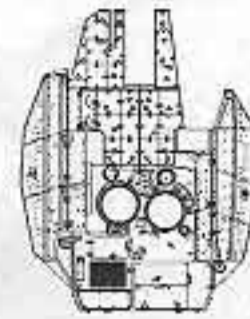
车底
Lower hull



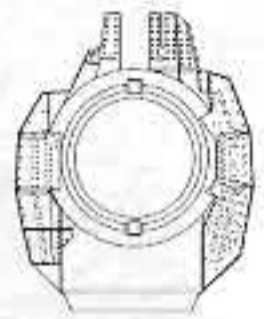
车面
Upper hull



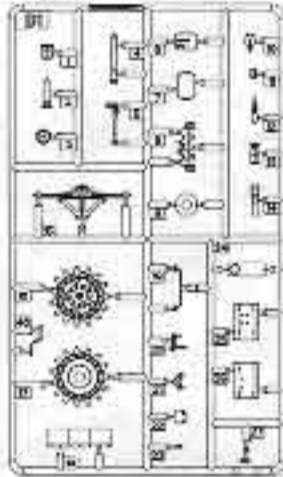
炮塔面
Turret side



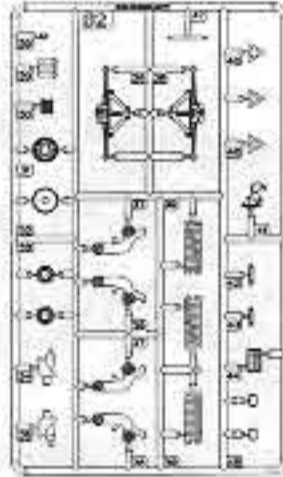
炮塔底
Turret bottom



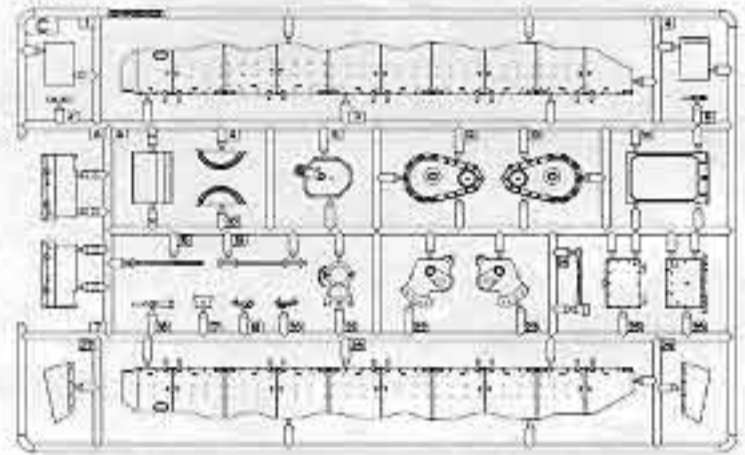
B1x2



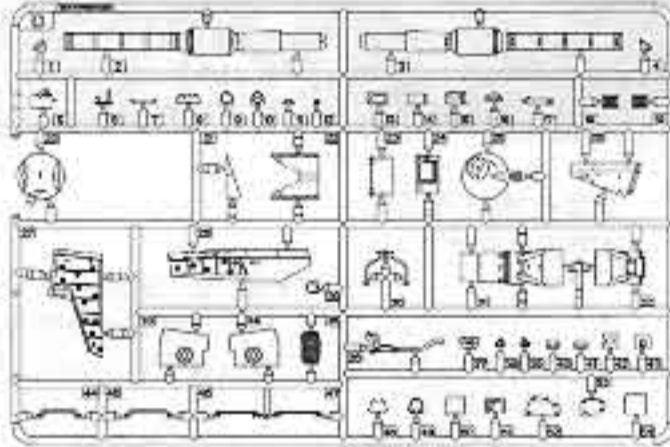
B2x4



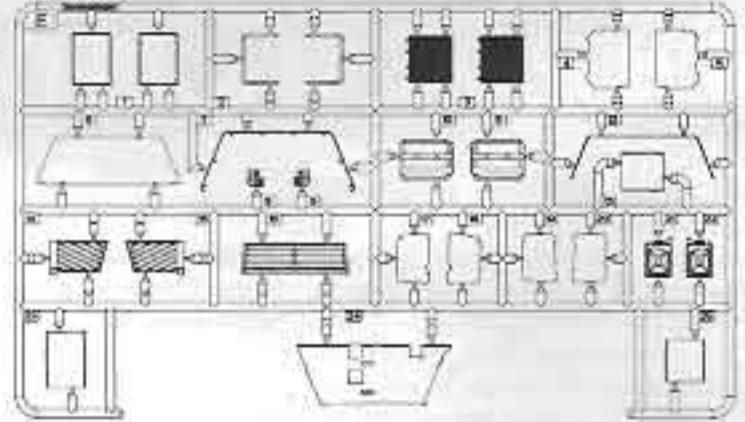
C



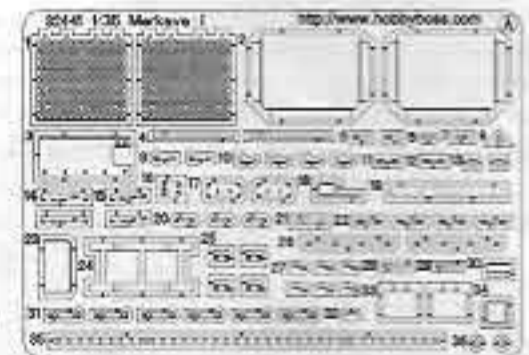
D



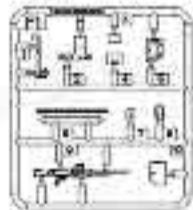
E



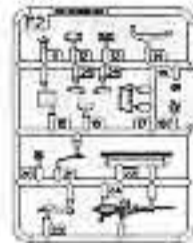
《蚀刻片》-A
Photo etched



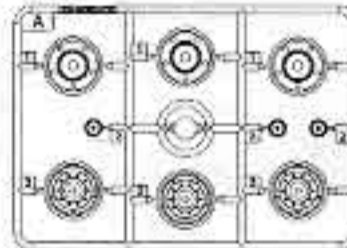
F1



F2



Ax4



诱导轮 x2
Idler wheel



Tx126



GP2



聚乙烯套
Poly cap



铜缆 $\varnothing 0.80 \times 200\text{mm}$
Brass wire



《蚀刻片》-B
Photo etched



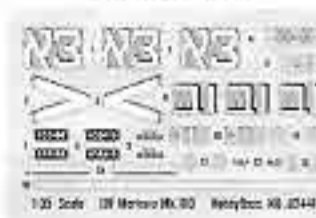
链条 Chain
 $\varnothing 0.30\text{mm} \times 300\text{mm}$



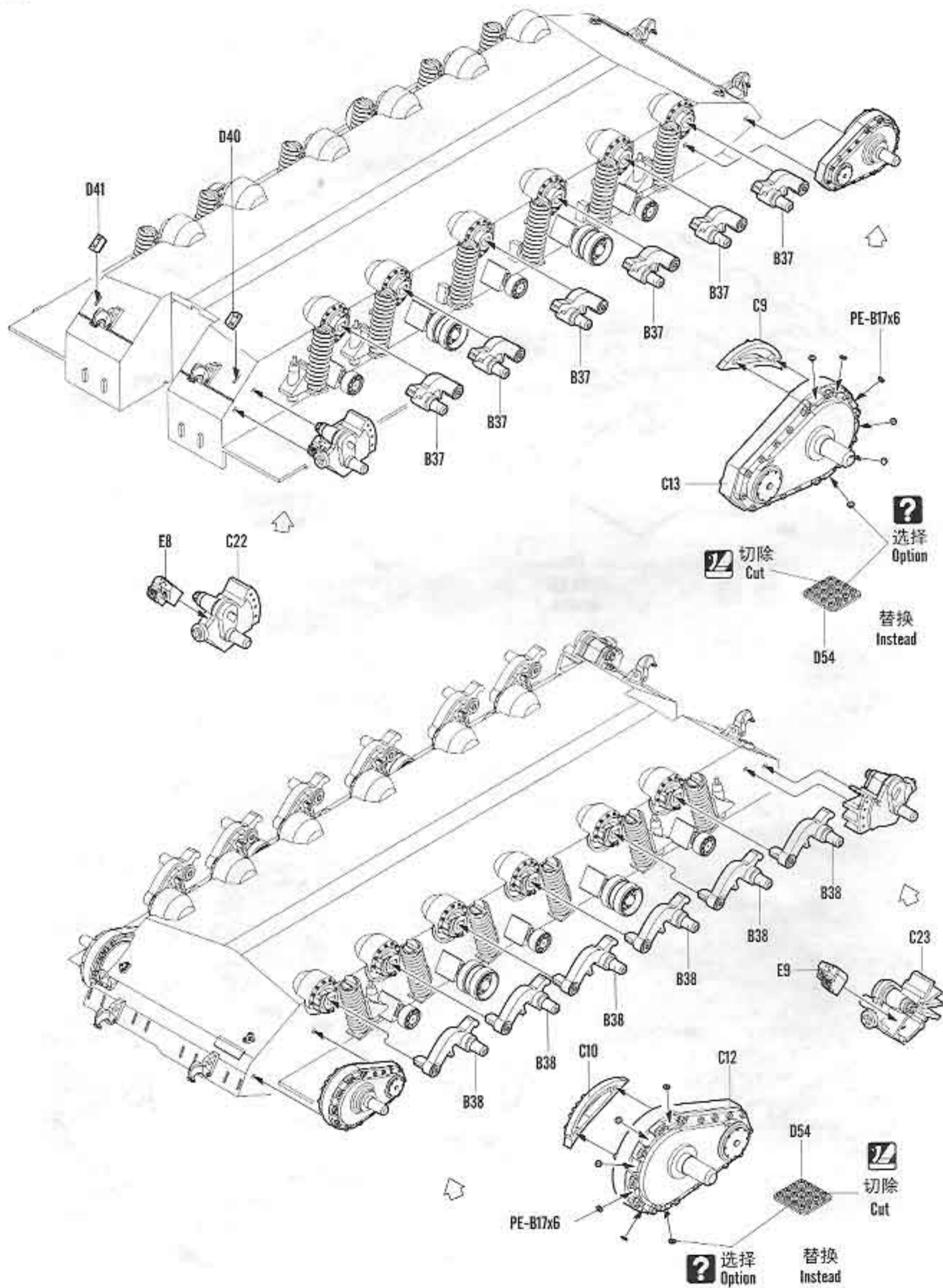
铜珠 x70(颗)
Copper bead x70 grain
 $\varnothing 0.50\text{mm} \times \varnothing 1.80 \times 10.50\text{mm}$



水贴 Decal



不用部件:F2,PE-B9
Unused parts.



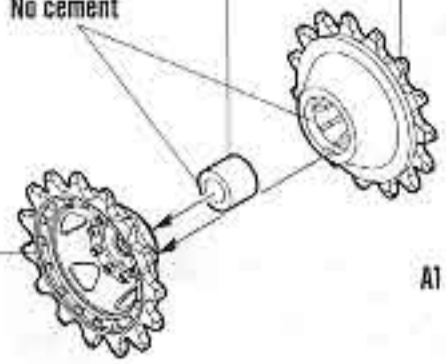
2
STEP

不涂胶水
No cement

聚乙烯套
Poly cap

B17

B16



制作2组
Make two

主动轮
Sprocket wheel

聚乙烯套
Poly cap

A3

不涂胶水
No cement

B3

A1

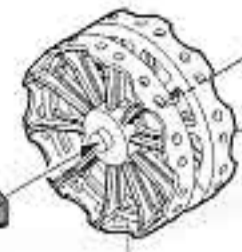
制作12组
Make twelve

负重轮
Road wheel

聚乙烯套
Poly cap

B9

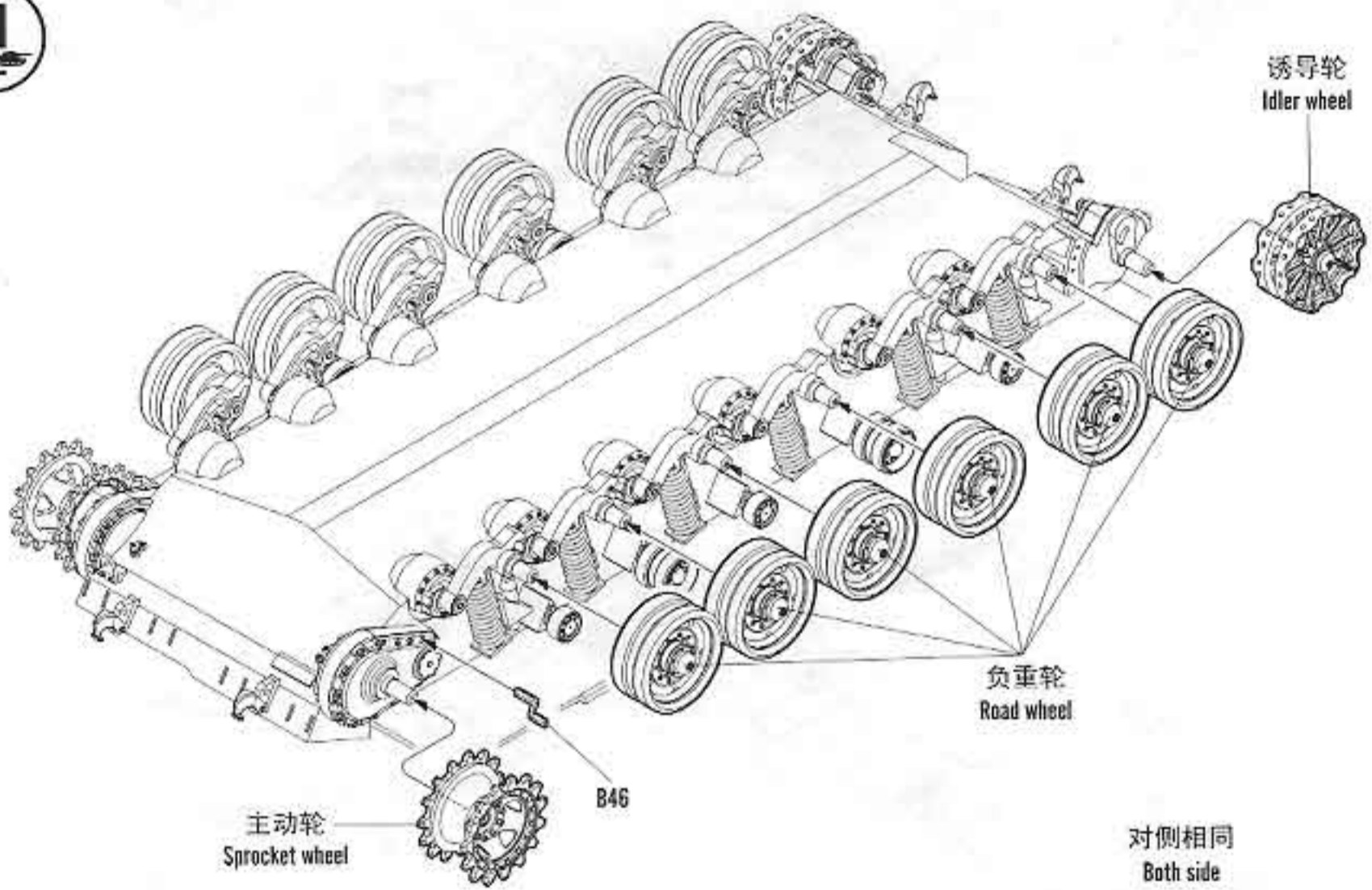
不涂胶水
No cement



诱导轮
Idler wheel

制作2组
Make two

3
STEP



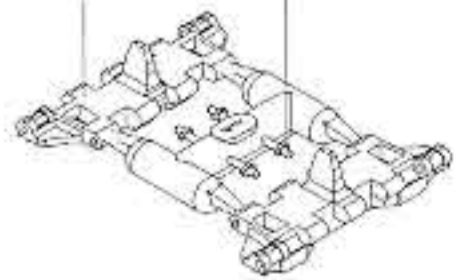
5
STEP

履带组装
Track assembly

单侧履带需102节
Complete track for one side requires 102 links

履带
Track

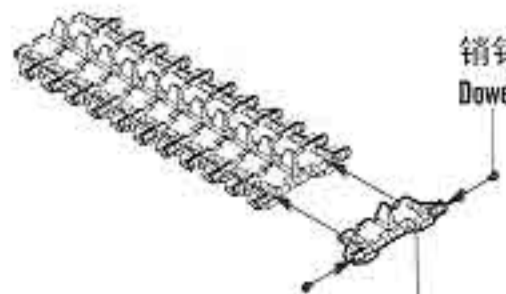
销钉
Dowel

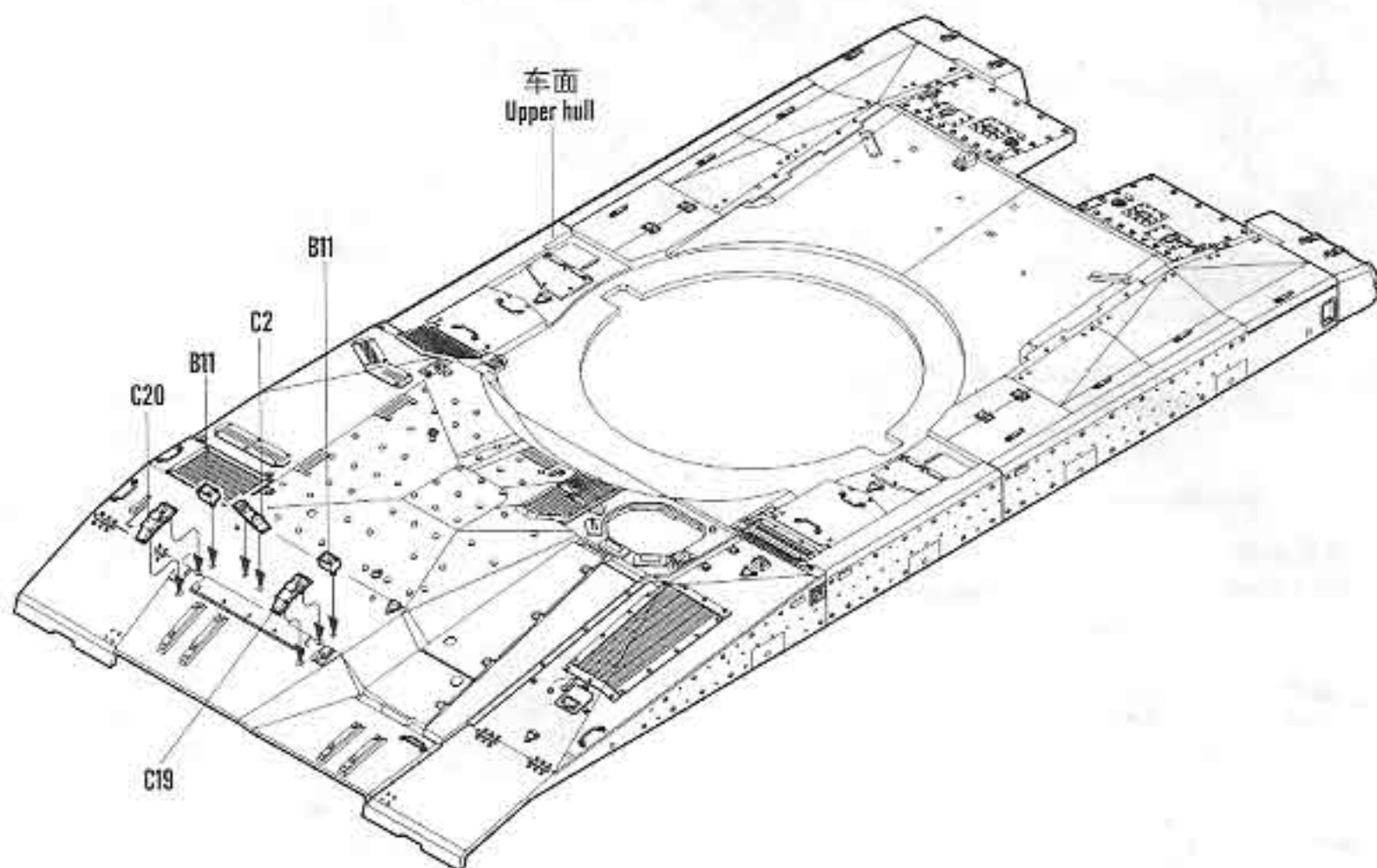
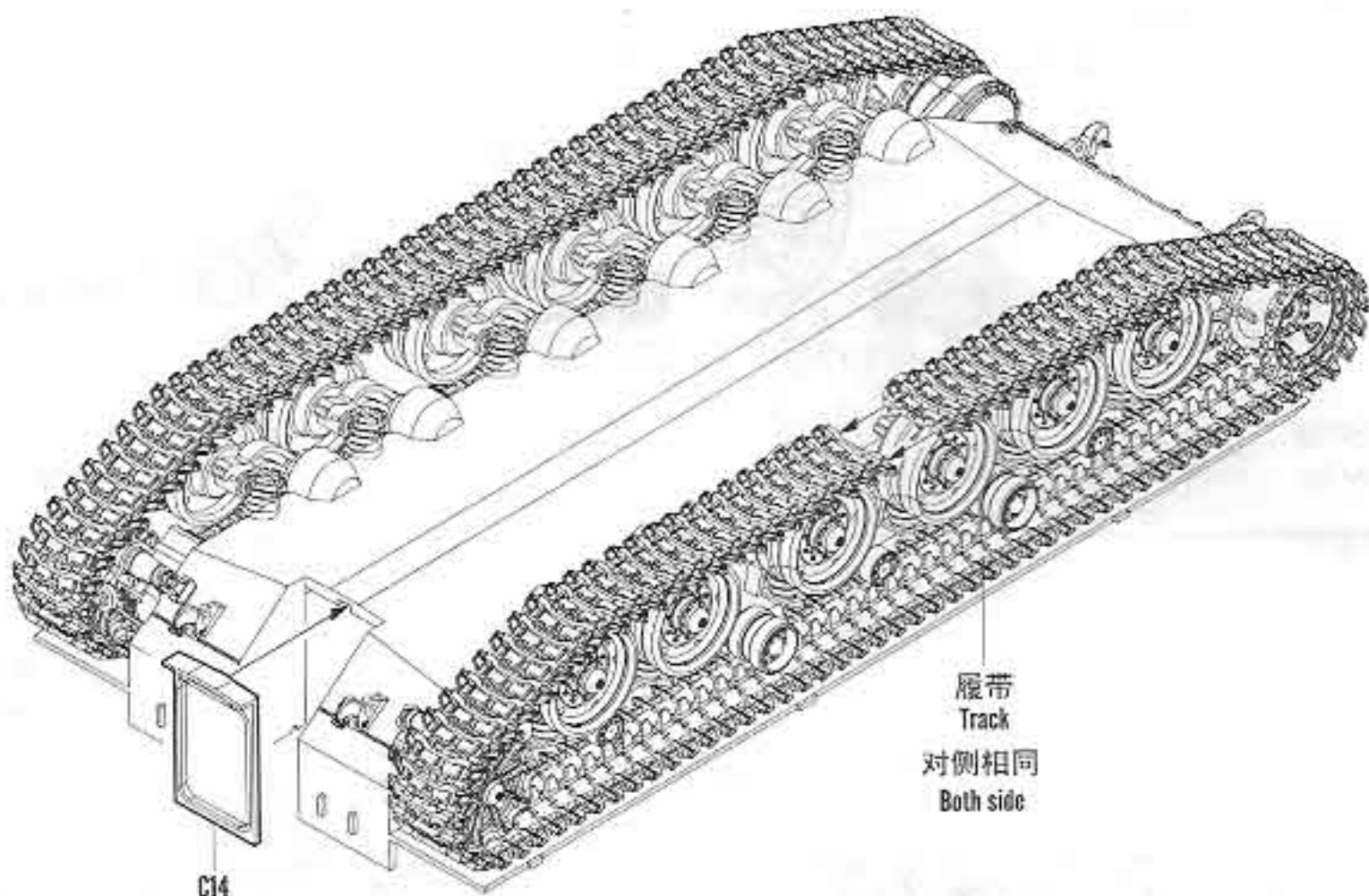


制作2组
Make two

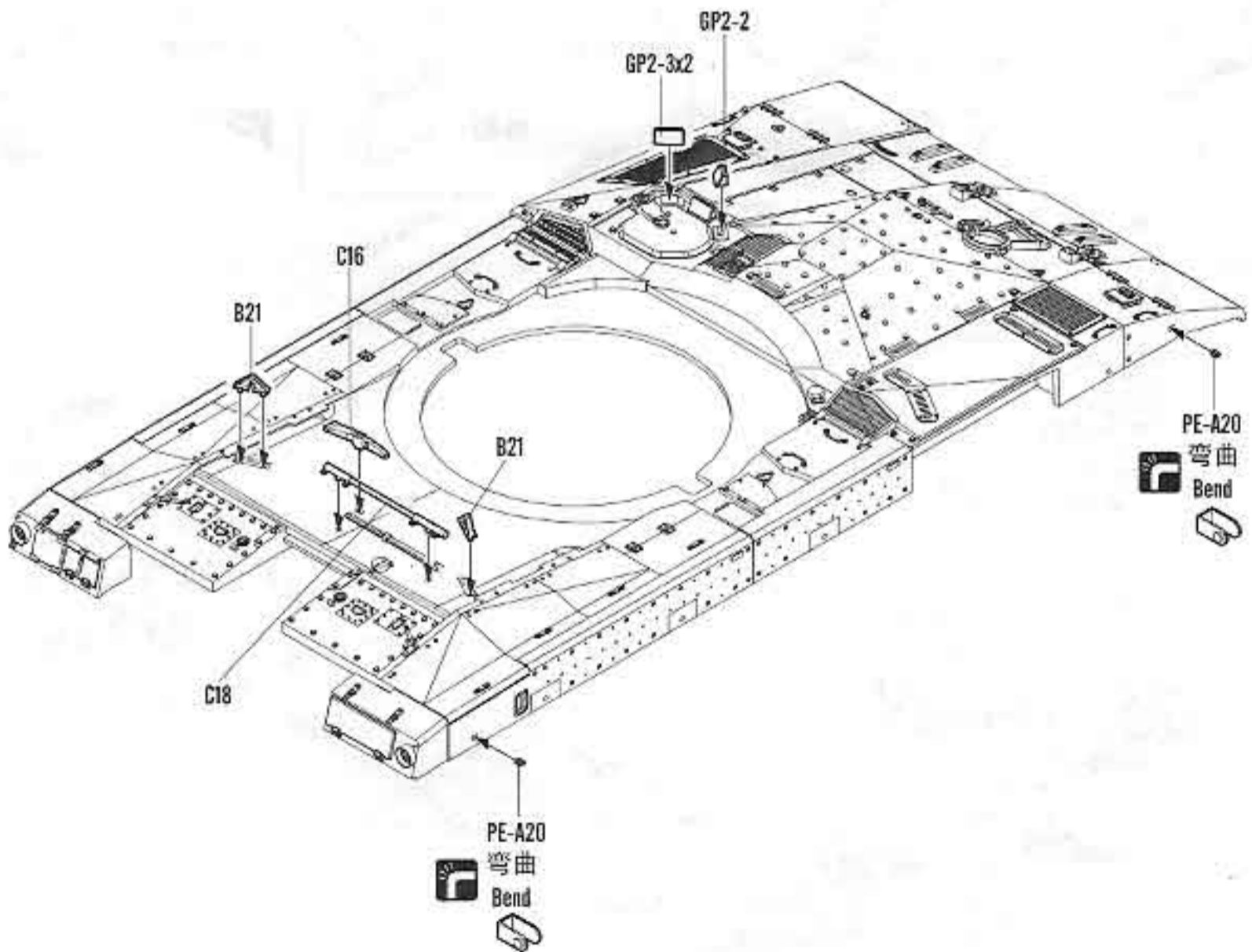
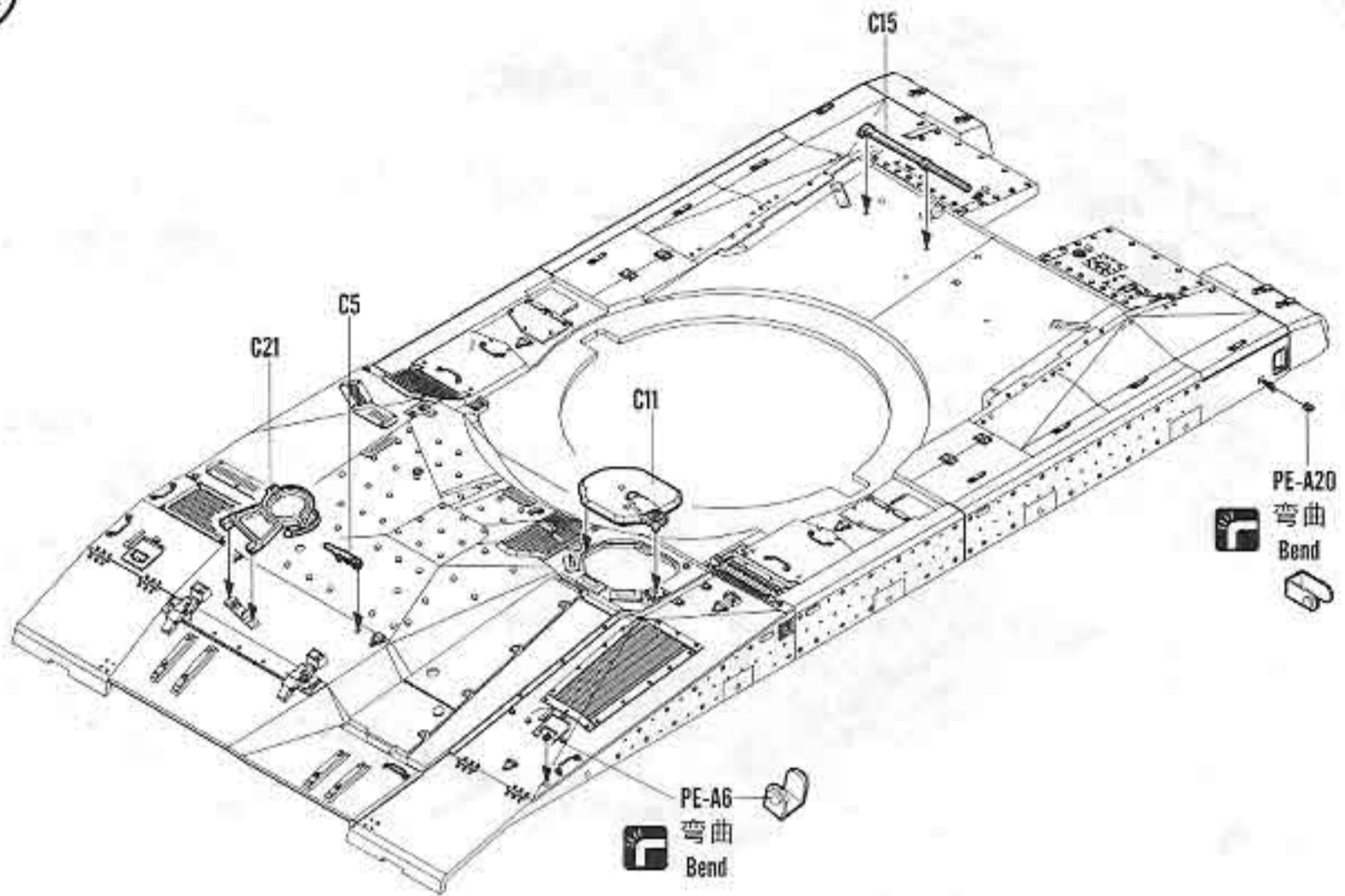
销钉x204
Dowel

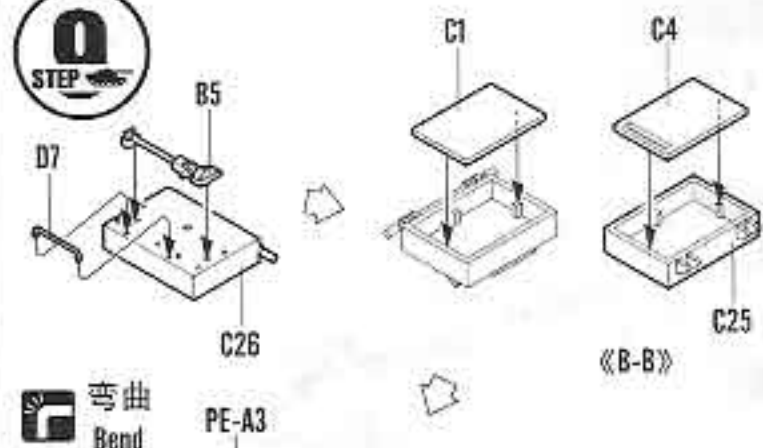
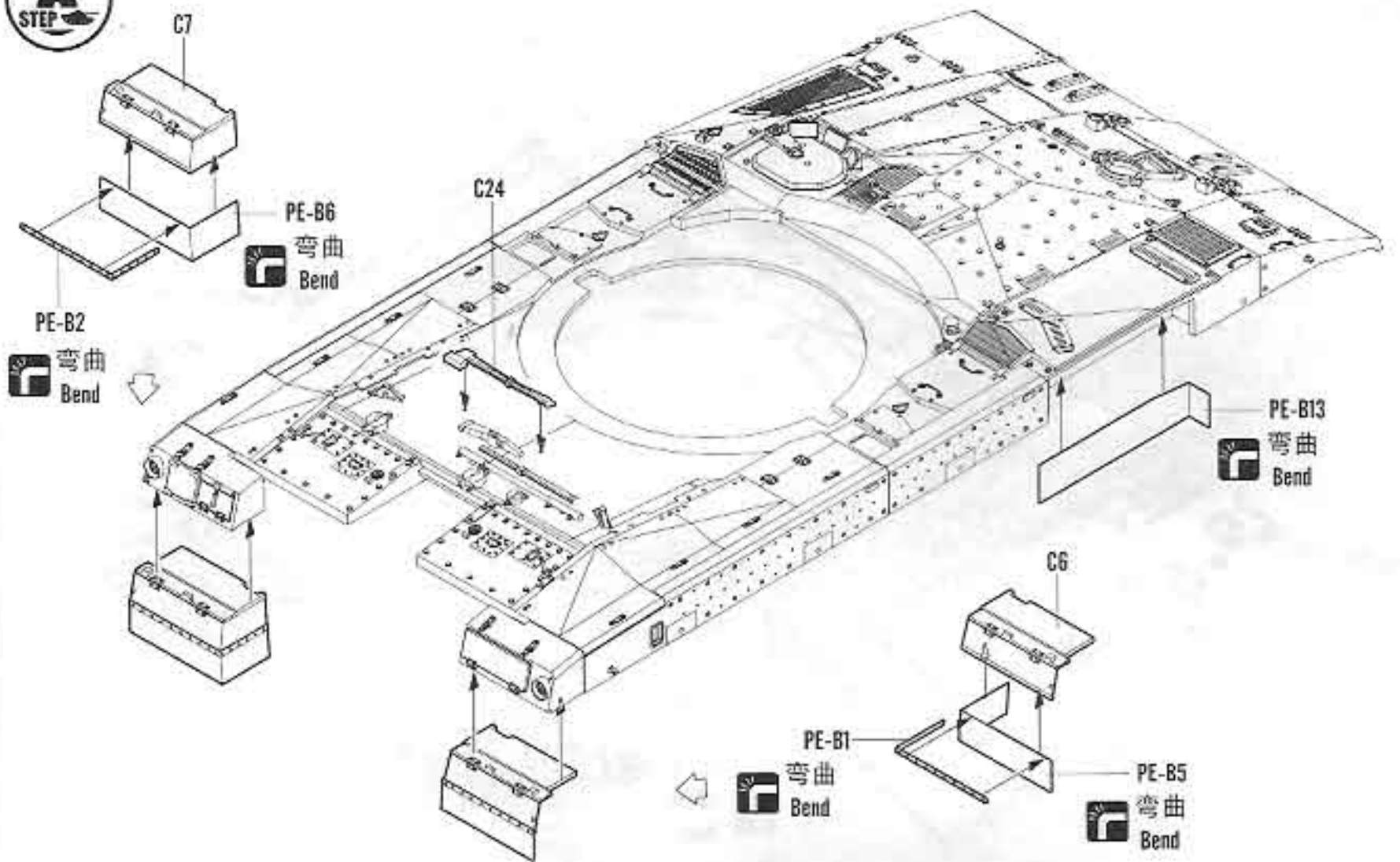
履带
Track



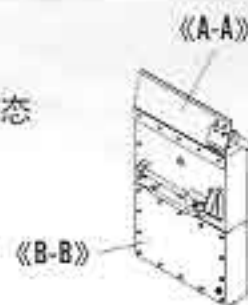


7
STEP

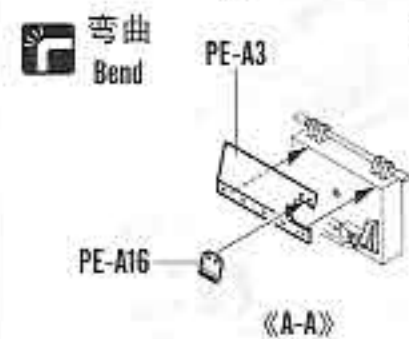
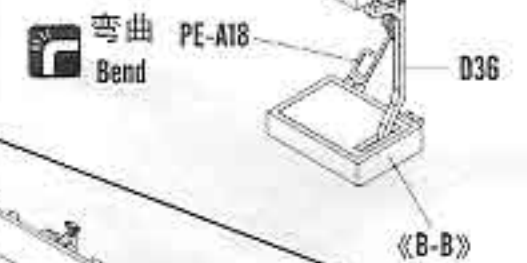




选择 Option
车门关闭状态
Close the door

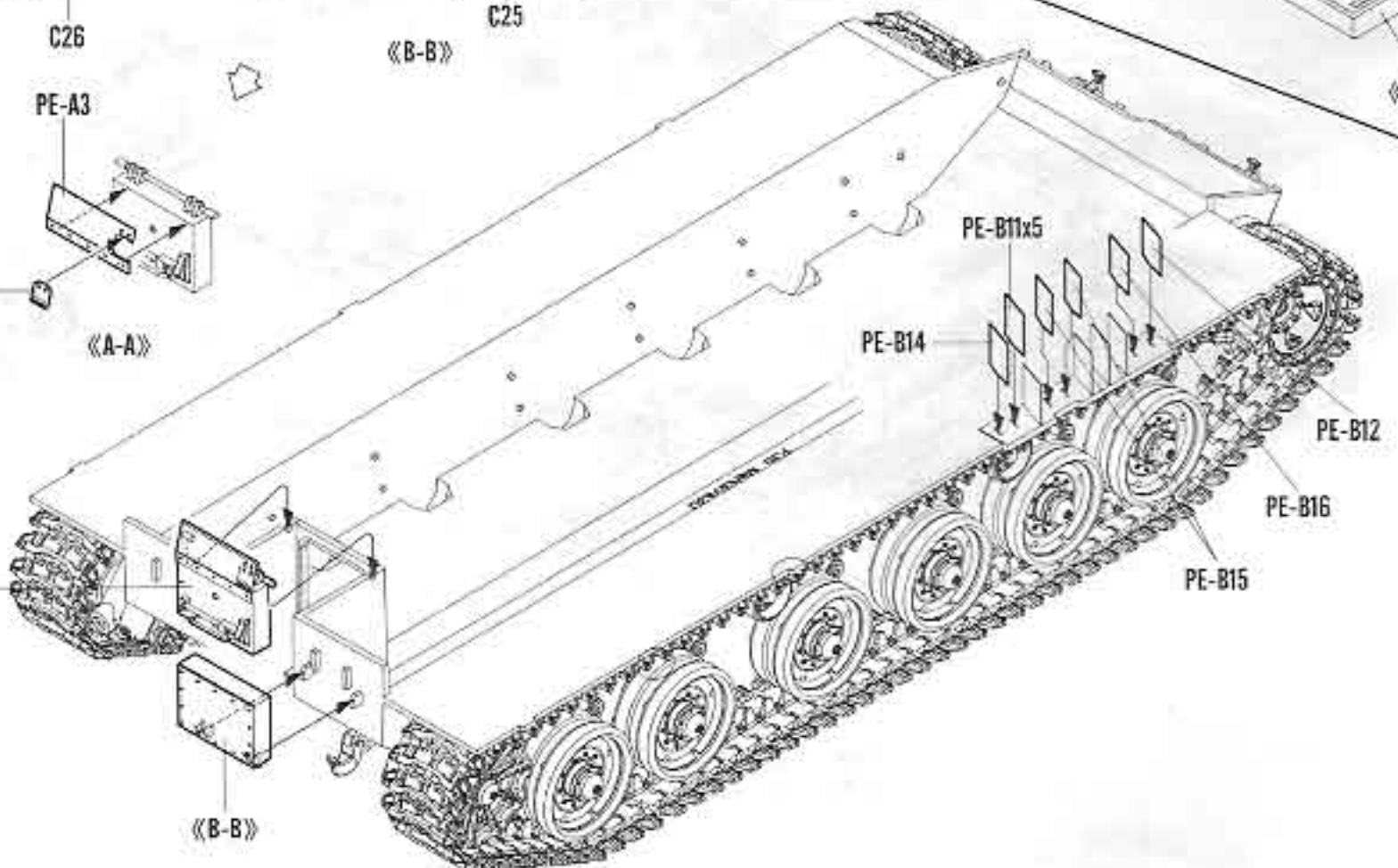


选择 Option
车门打开状态
Open the door



《A-A》

《B-B》



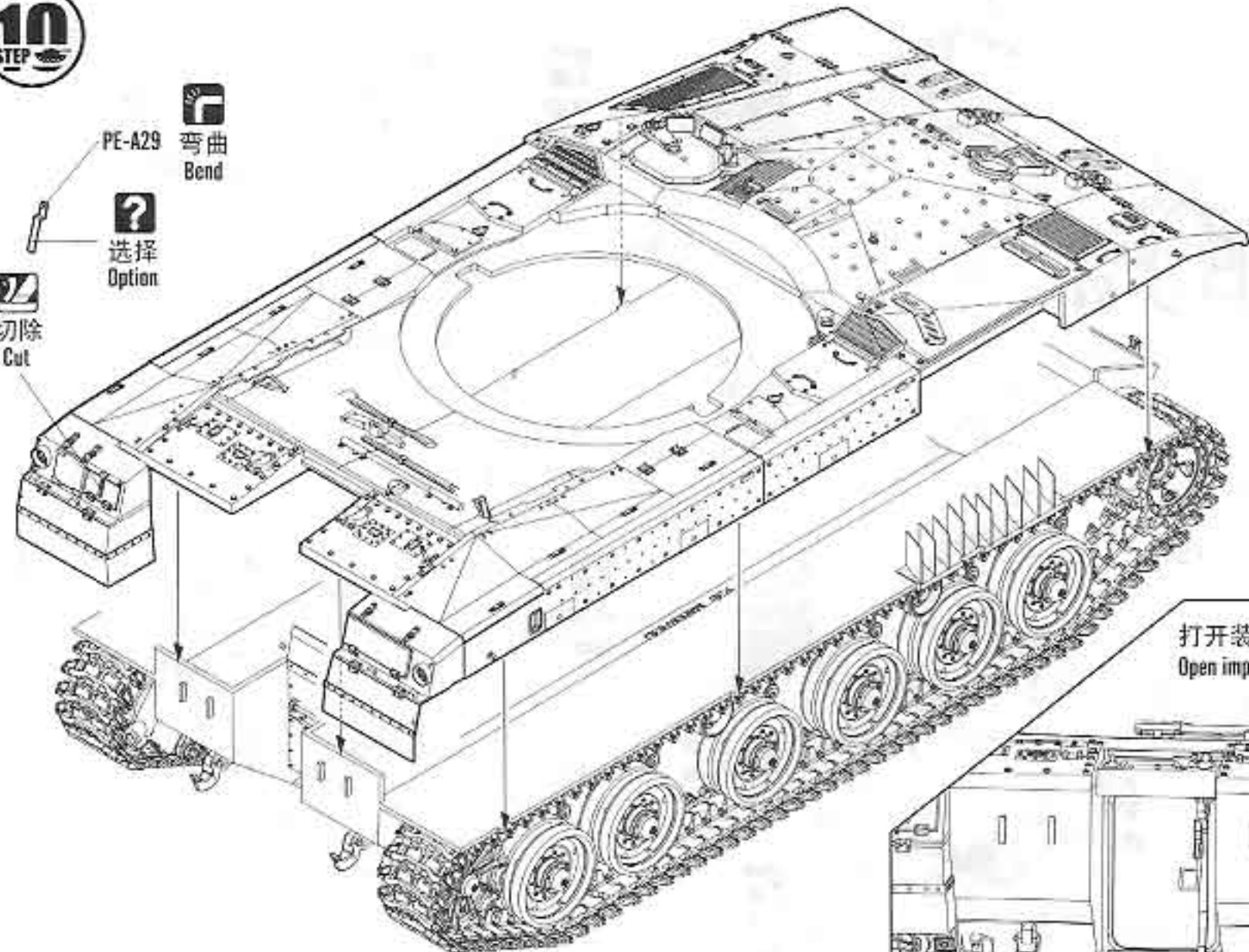
10
STEP

PE-A29

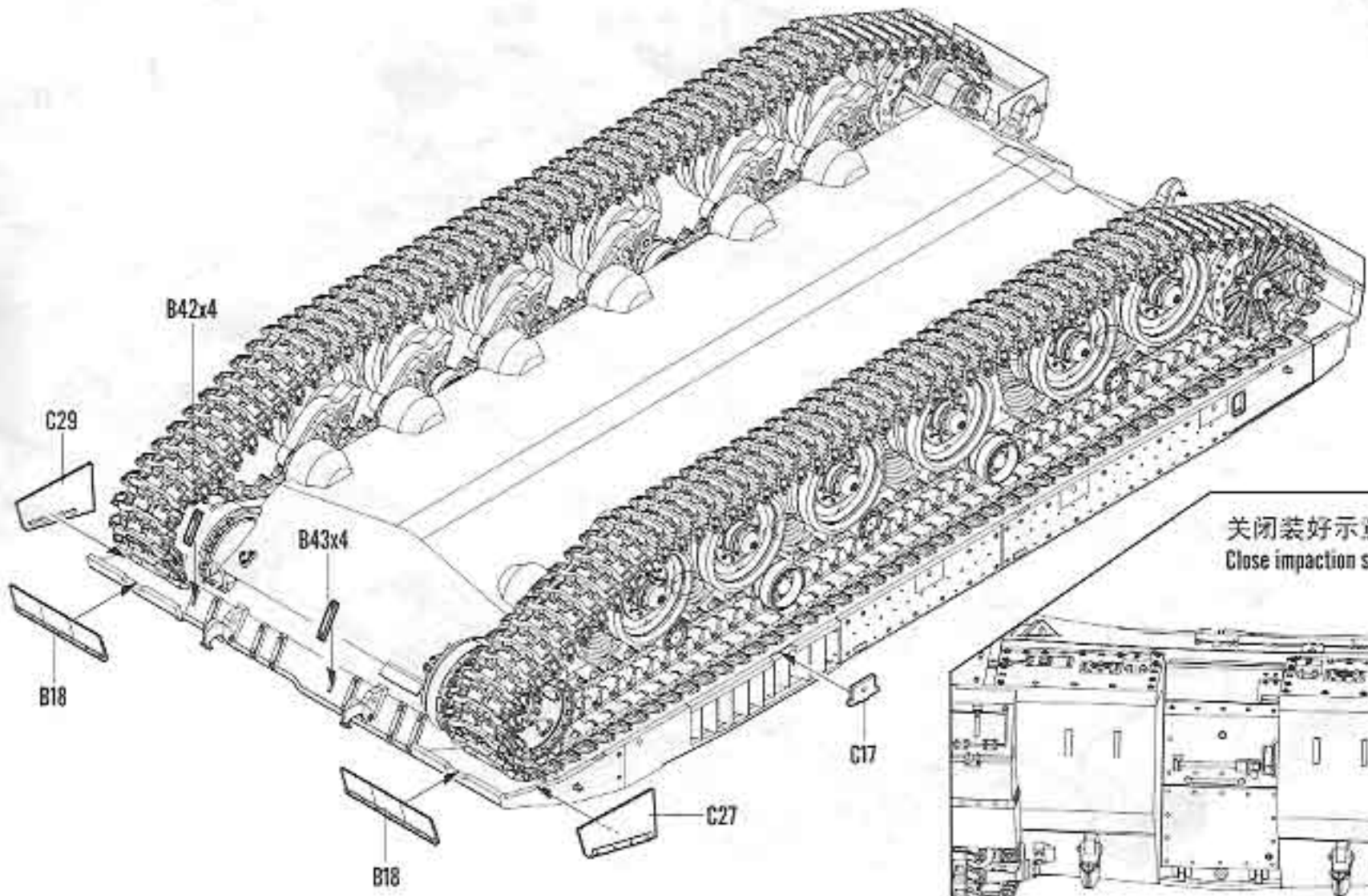
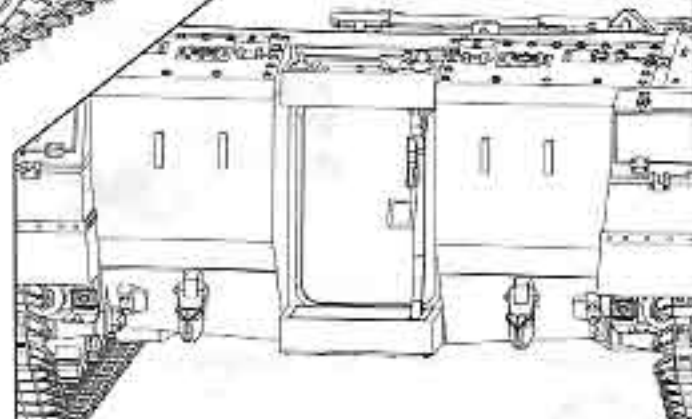
弯曲
Bend

选择
Option

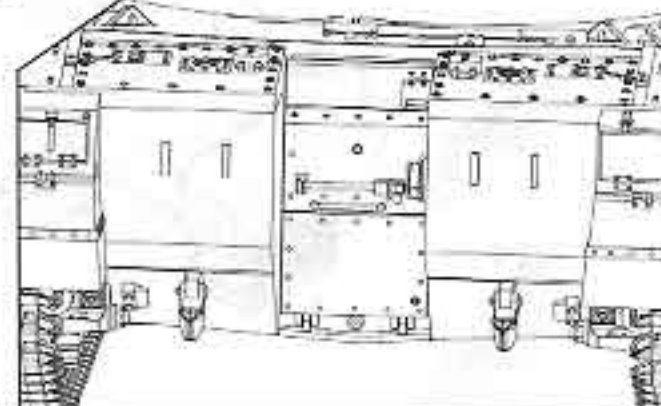
切除
Cut



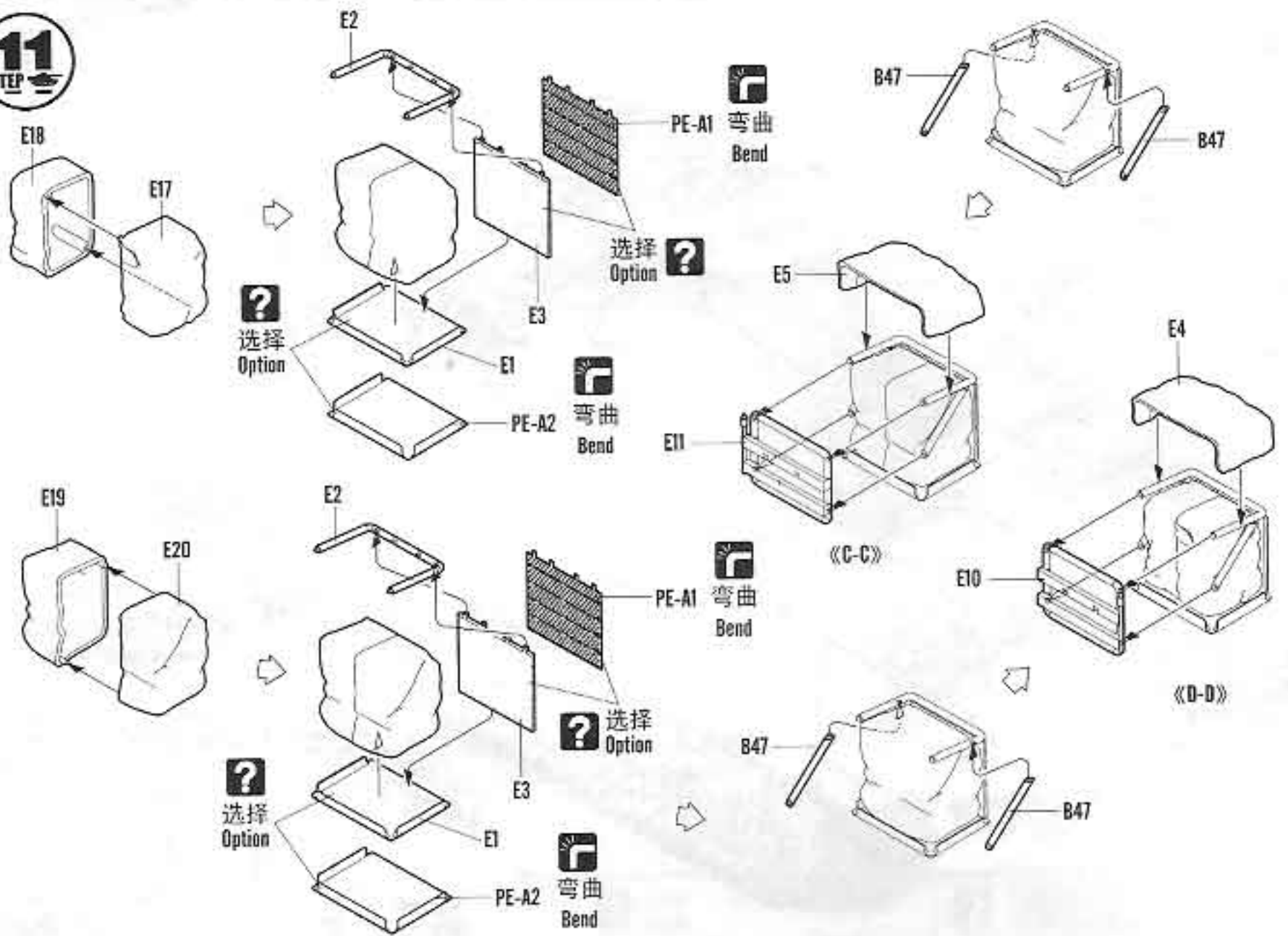
打开装好示意图
Open impaction show



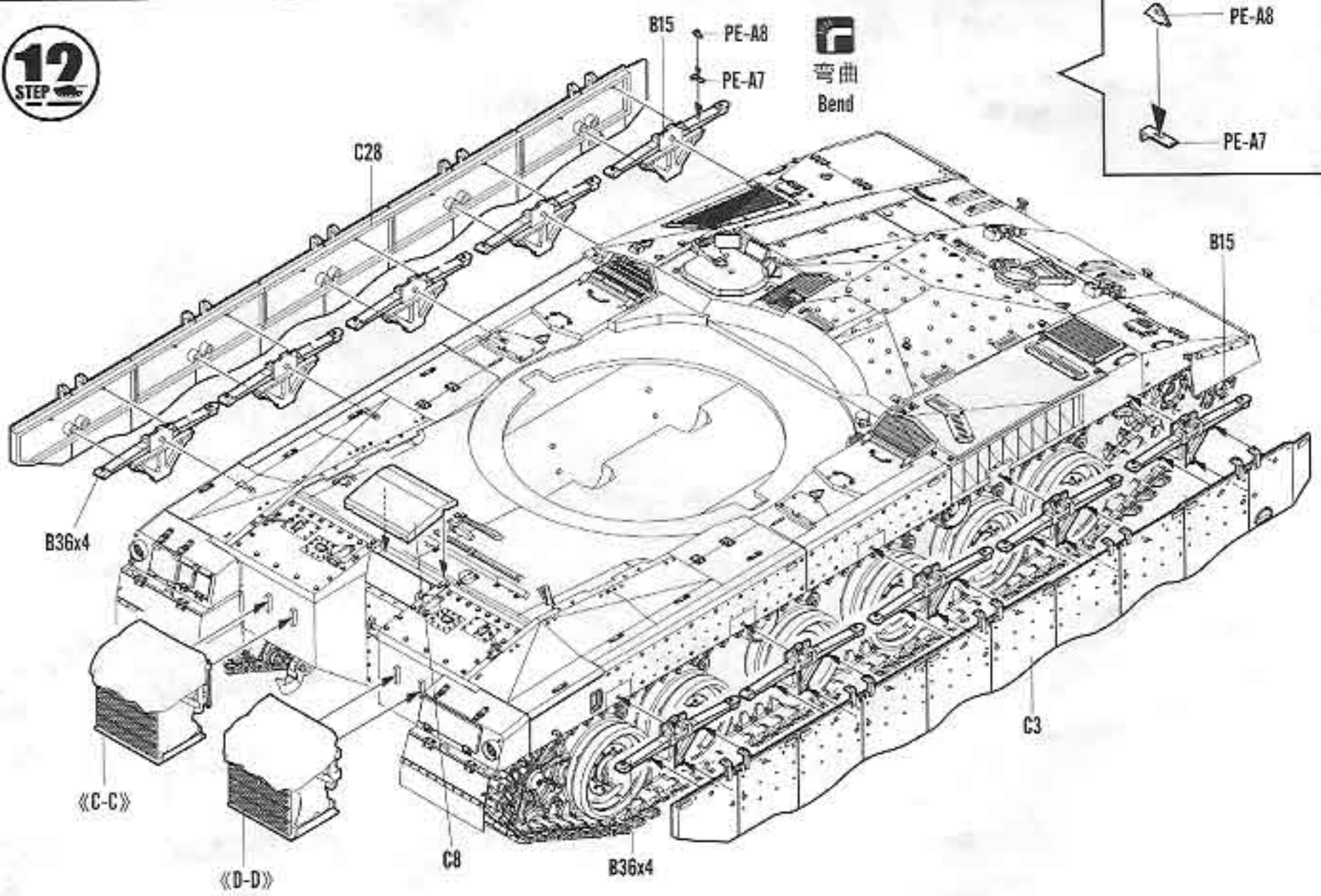
关闭装好示意图
Close impaction show



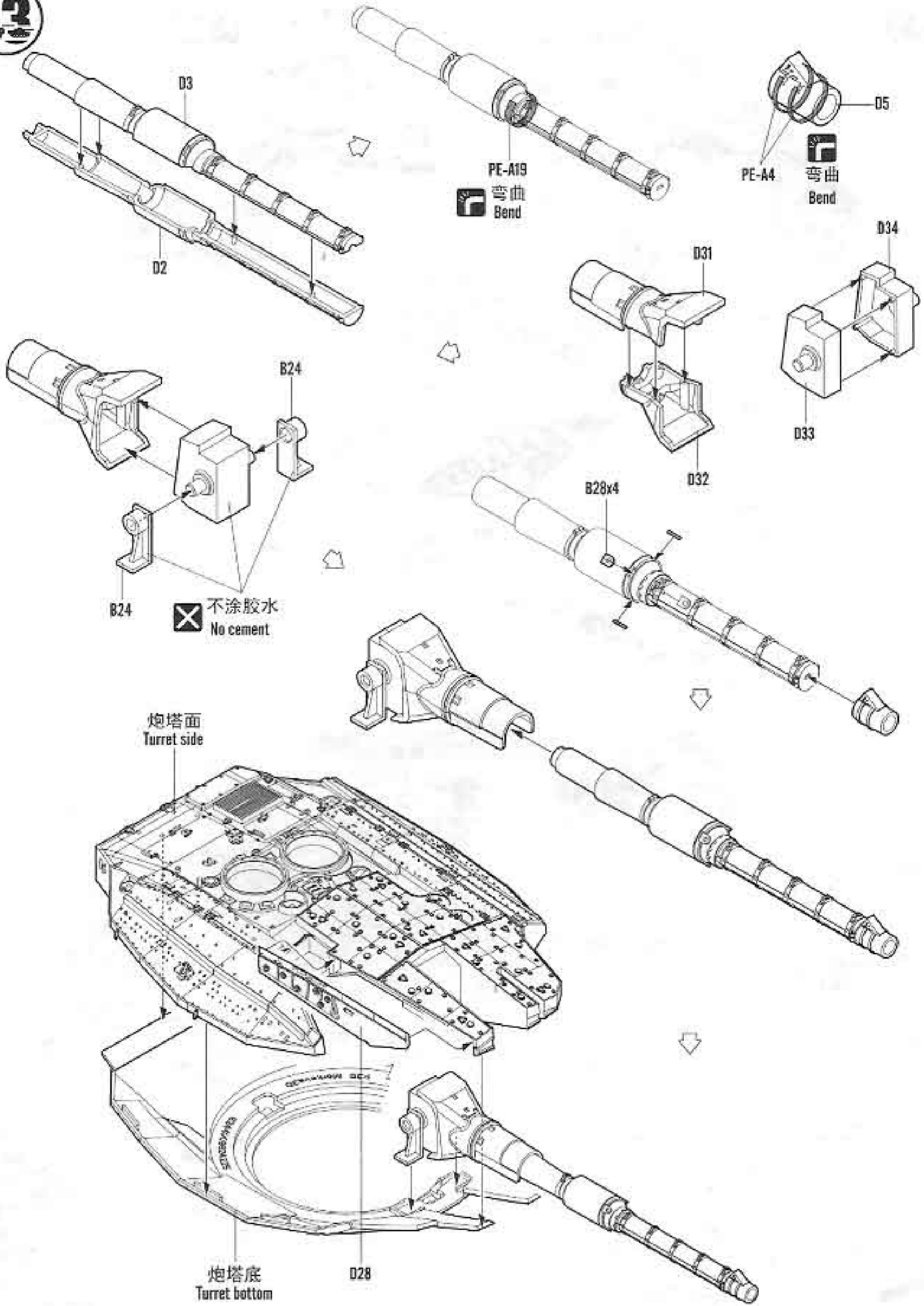
11
STEP

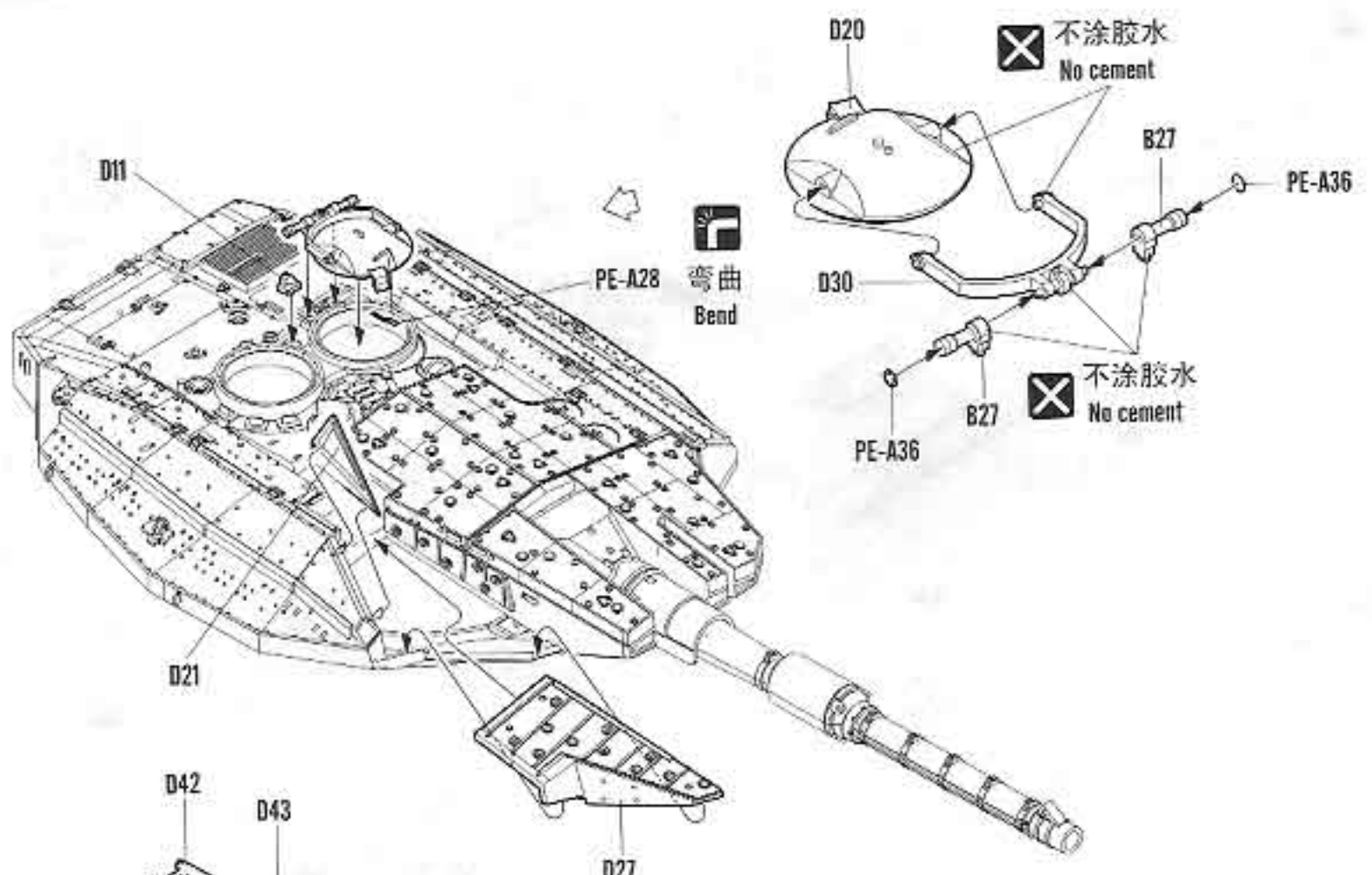


12
STEP



13
STEP

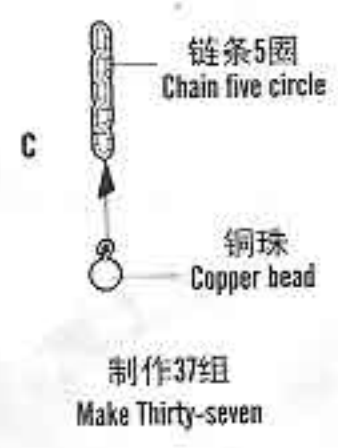
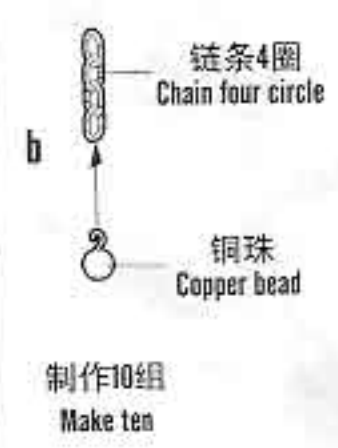
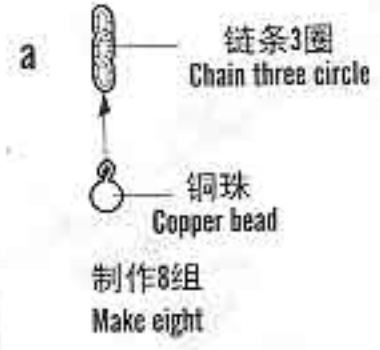
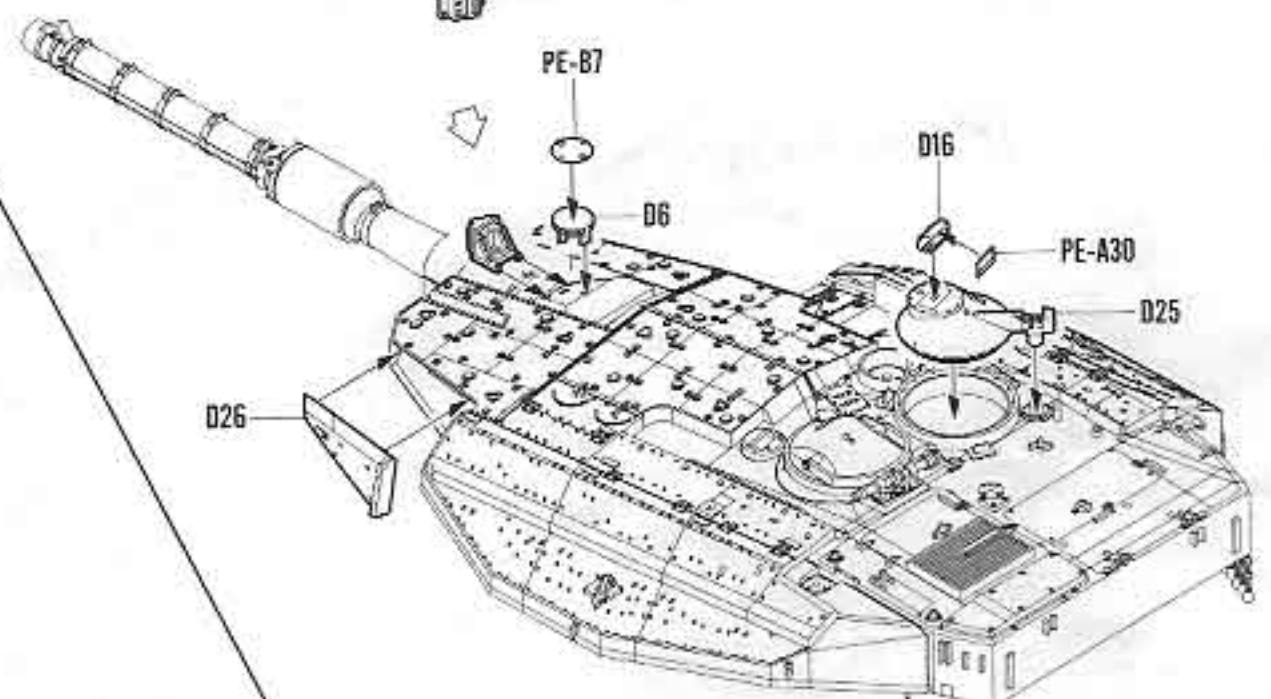
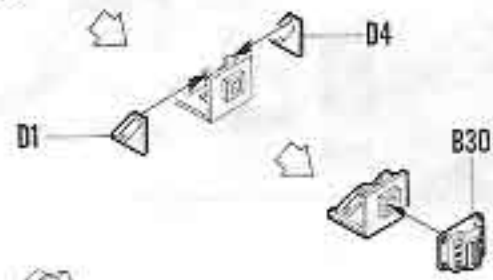




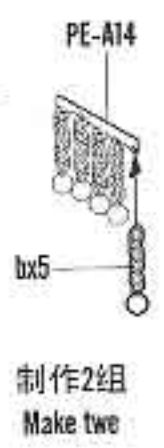
不涂胶水
No cement

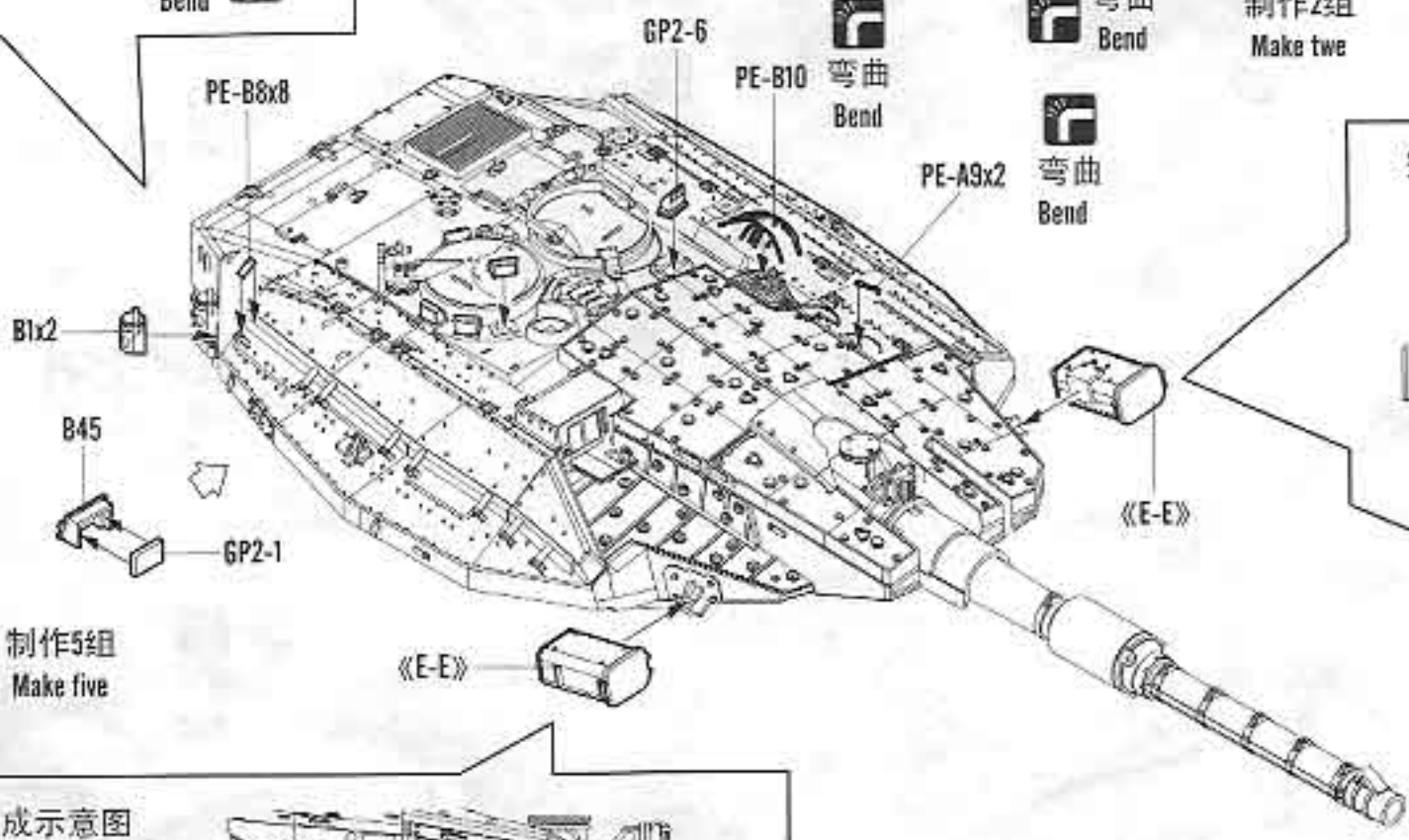
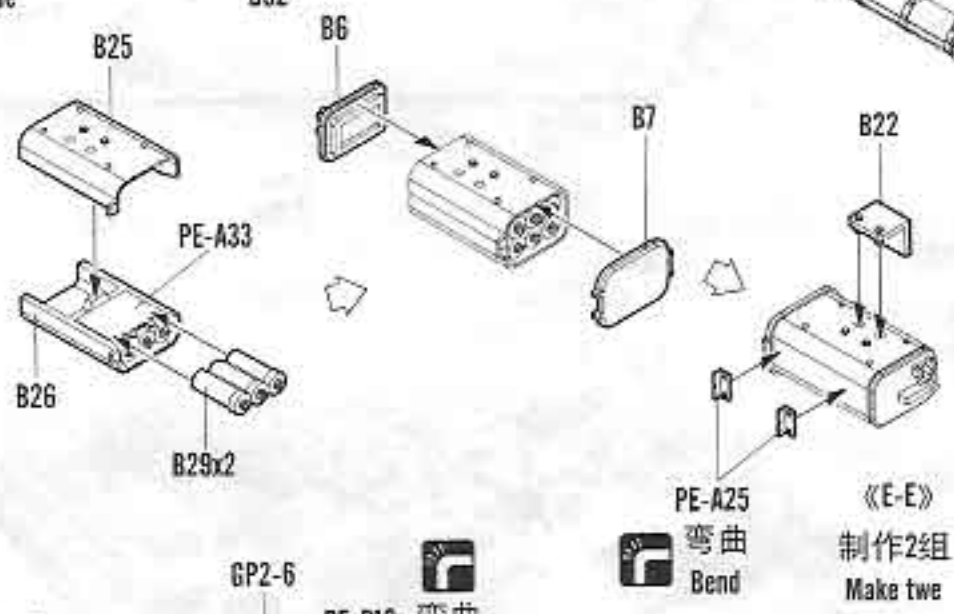
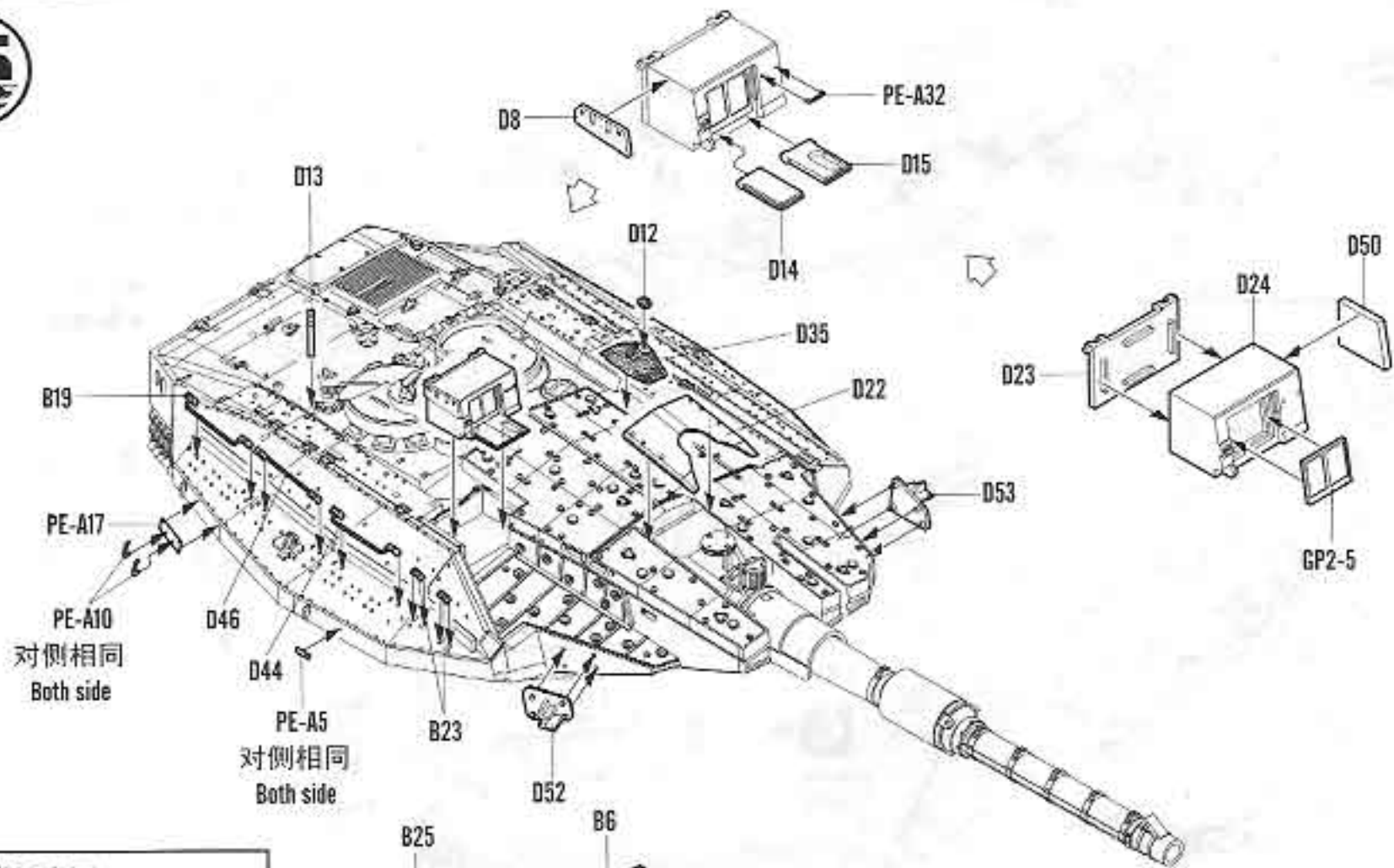
不涂胶水
No cement

弯曲
Bend

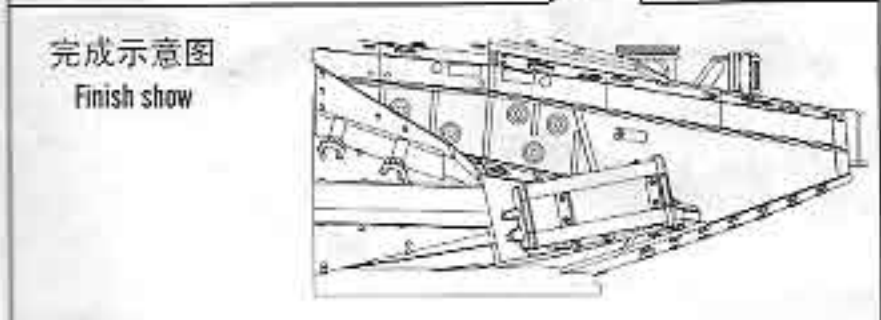


对侧相同
Both side

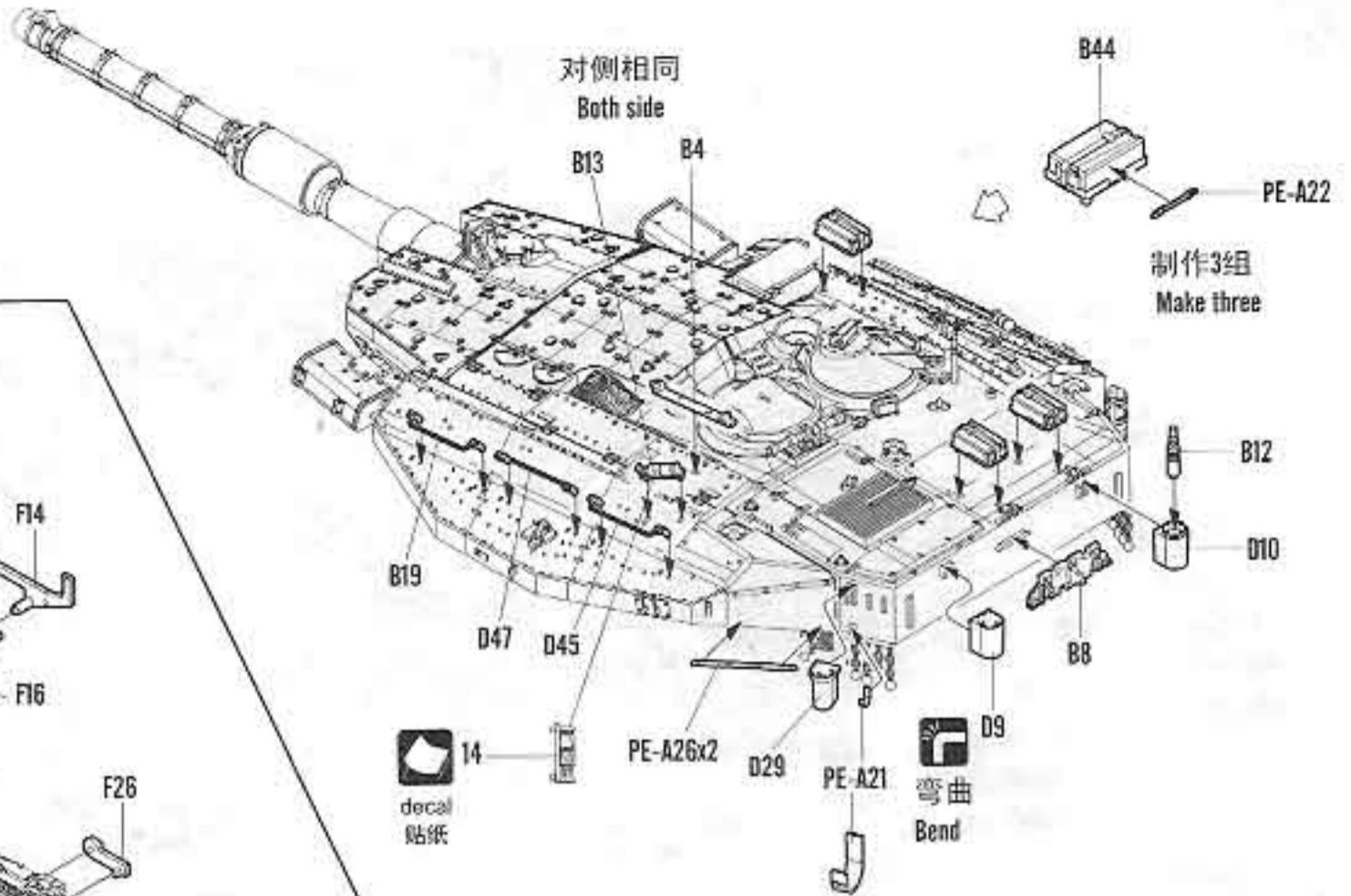




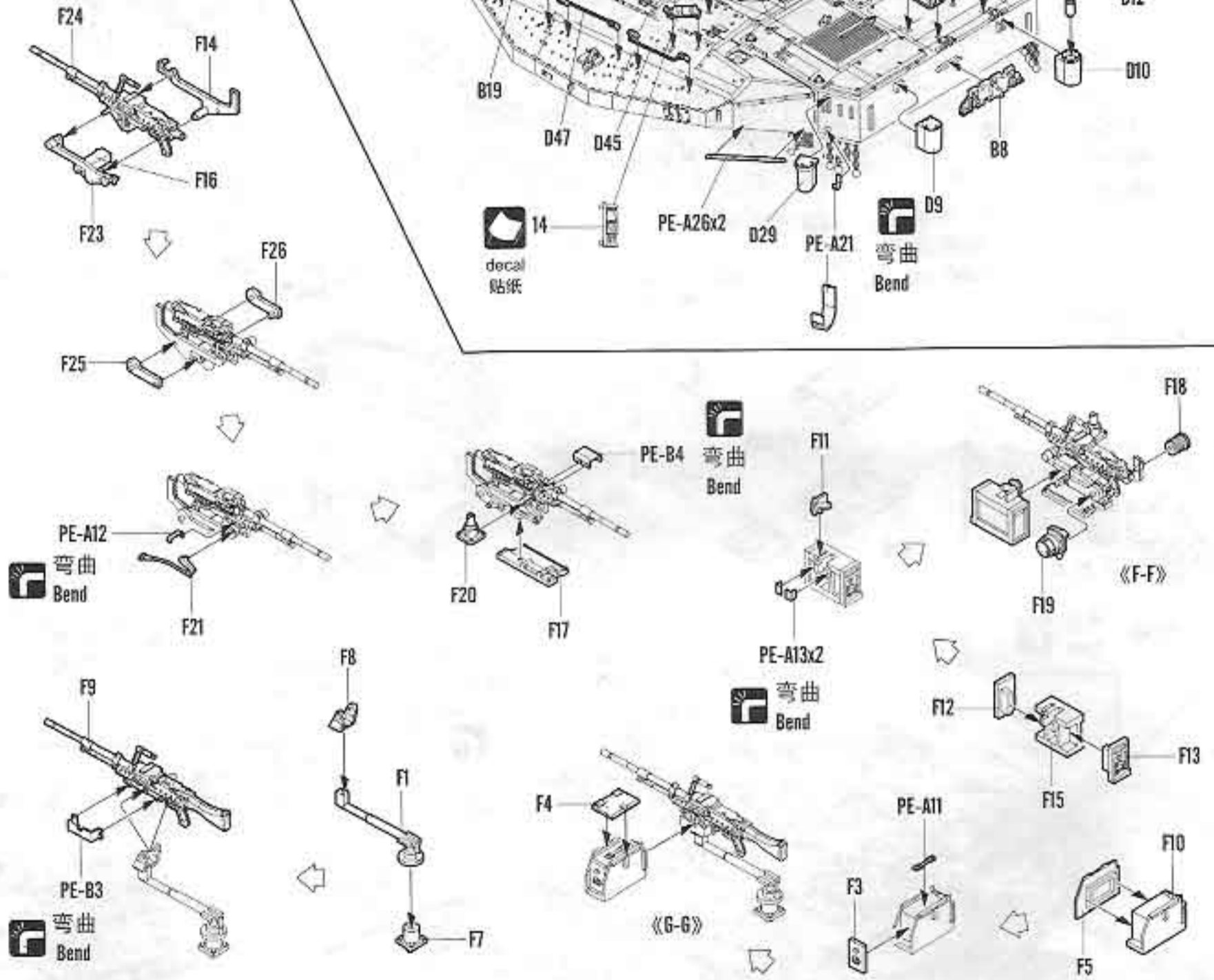
制作5组
Make five



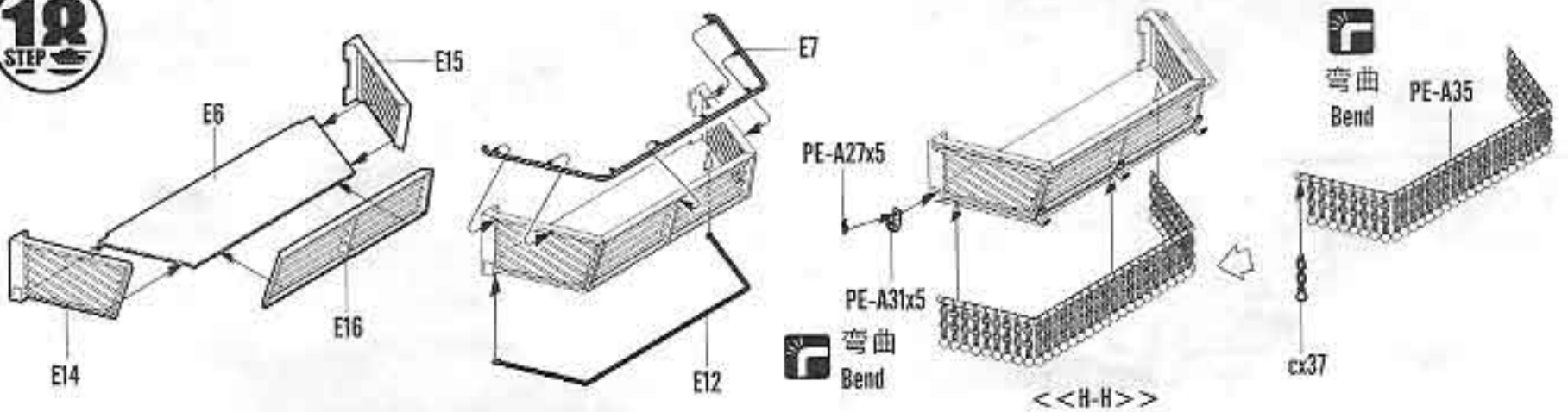
16
STEP



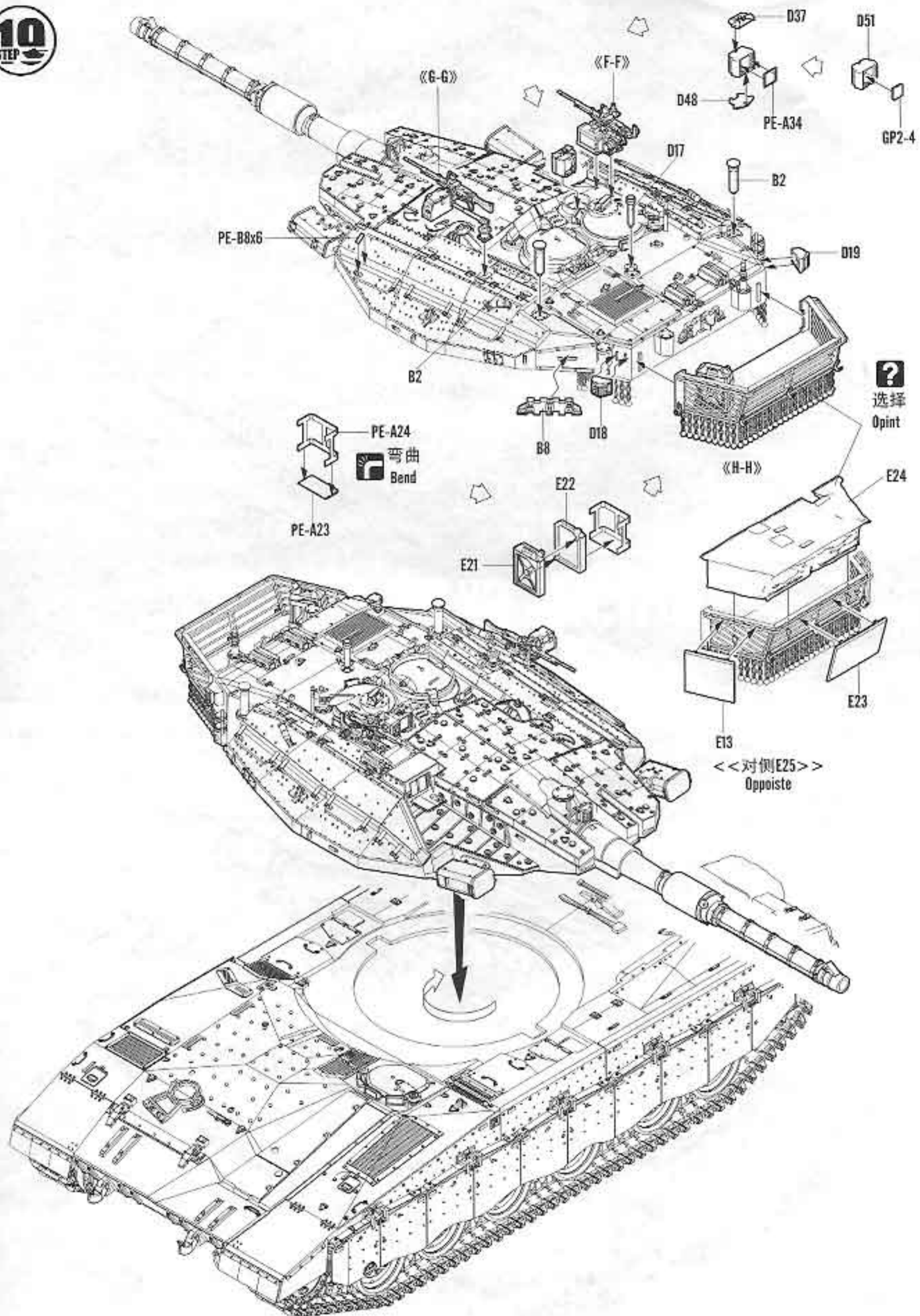
17
STEP

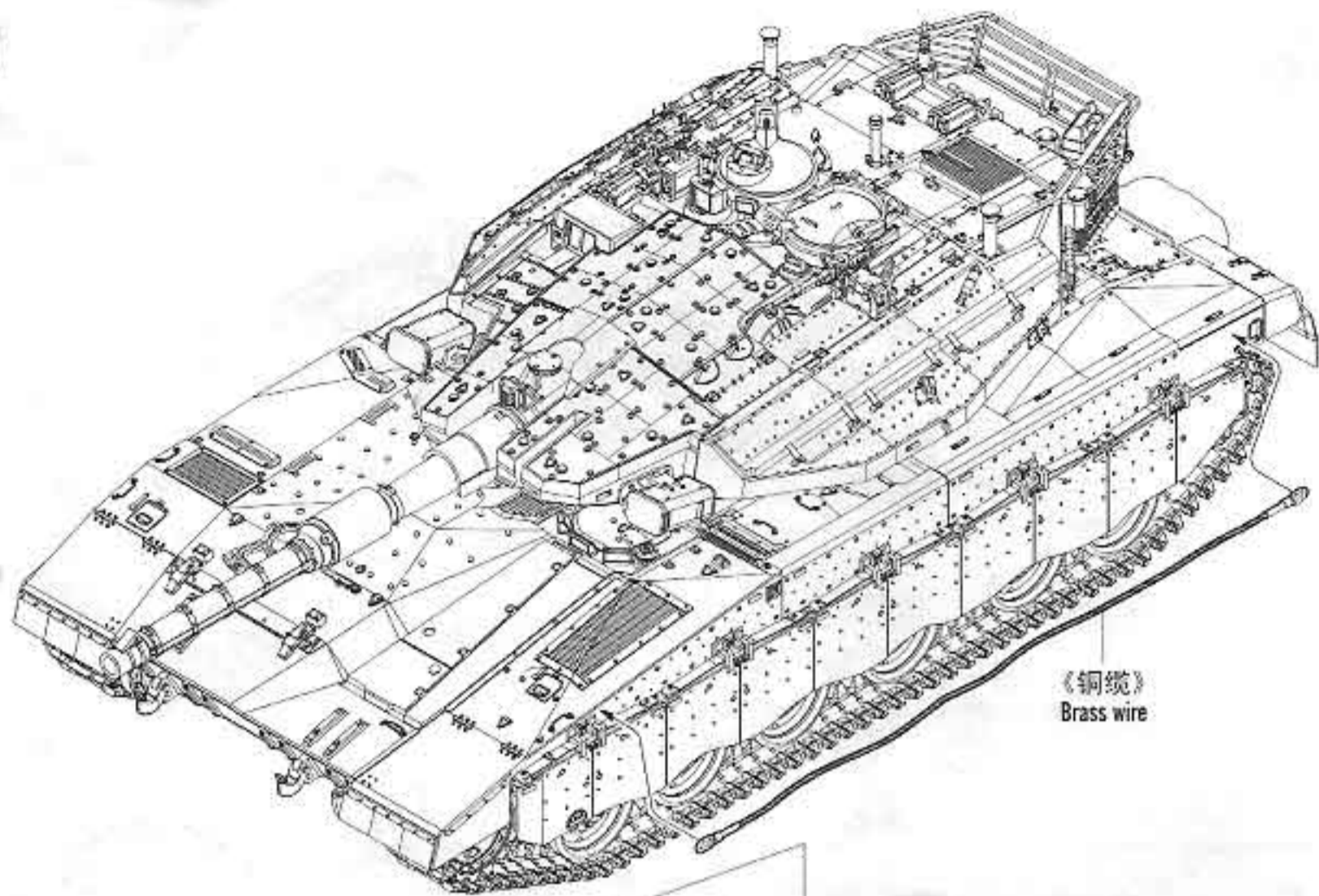


18
STEP



10
STEP



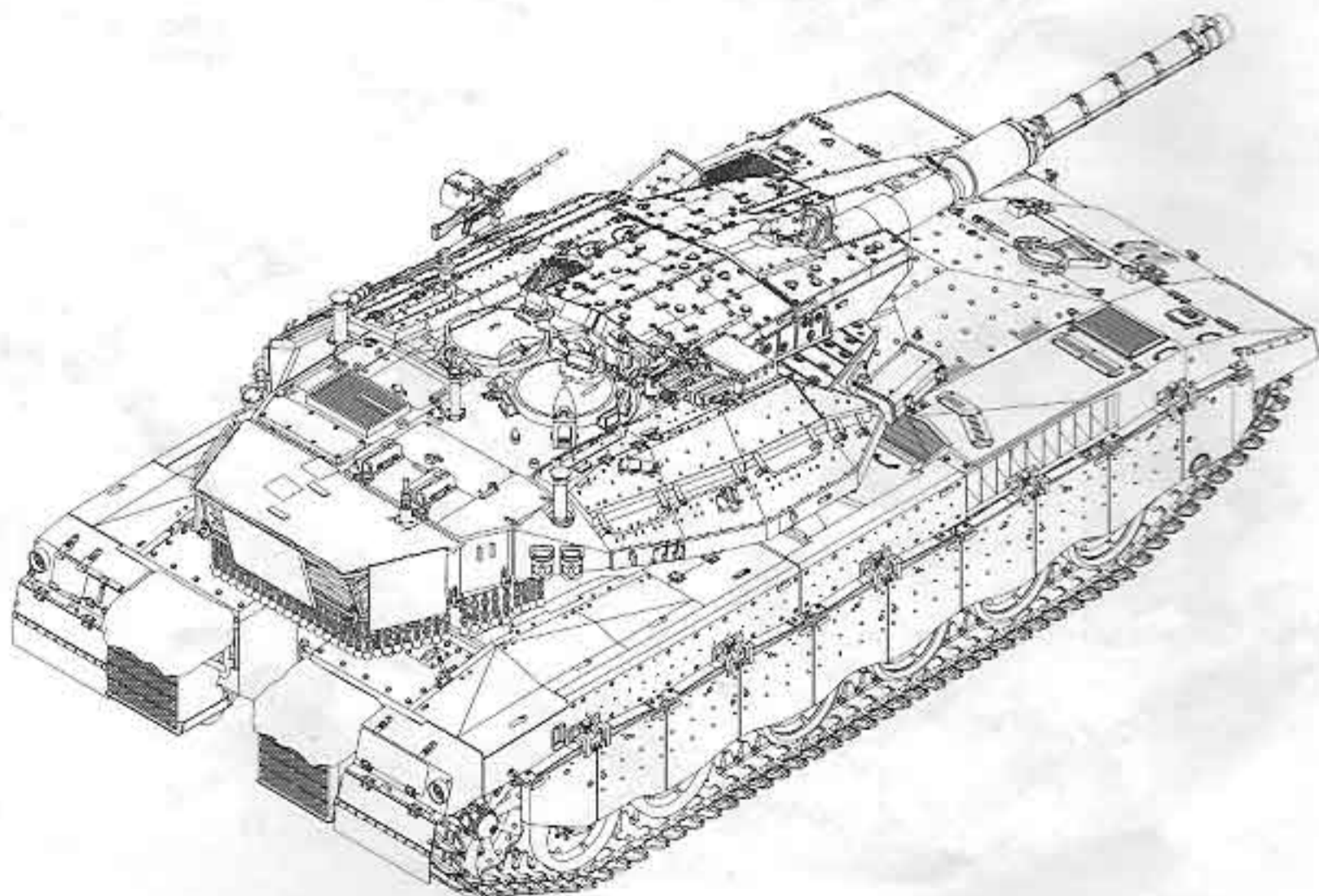


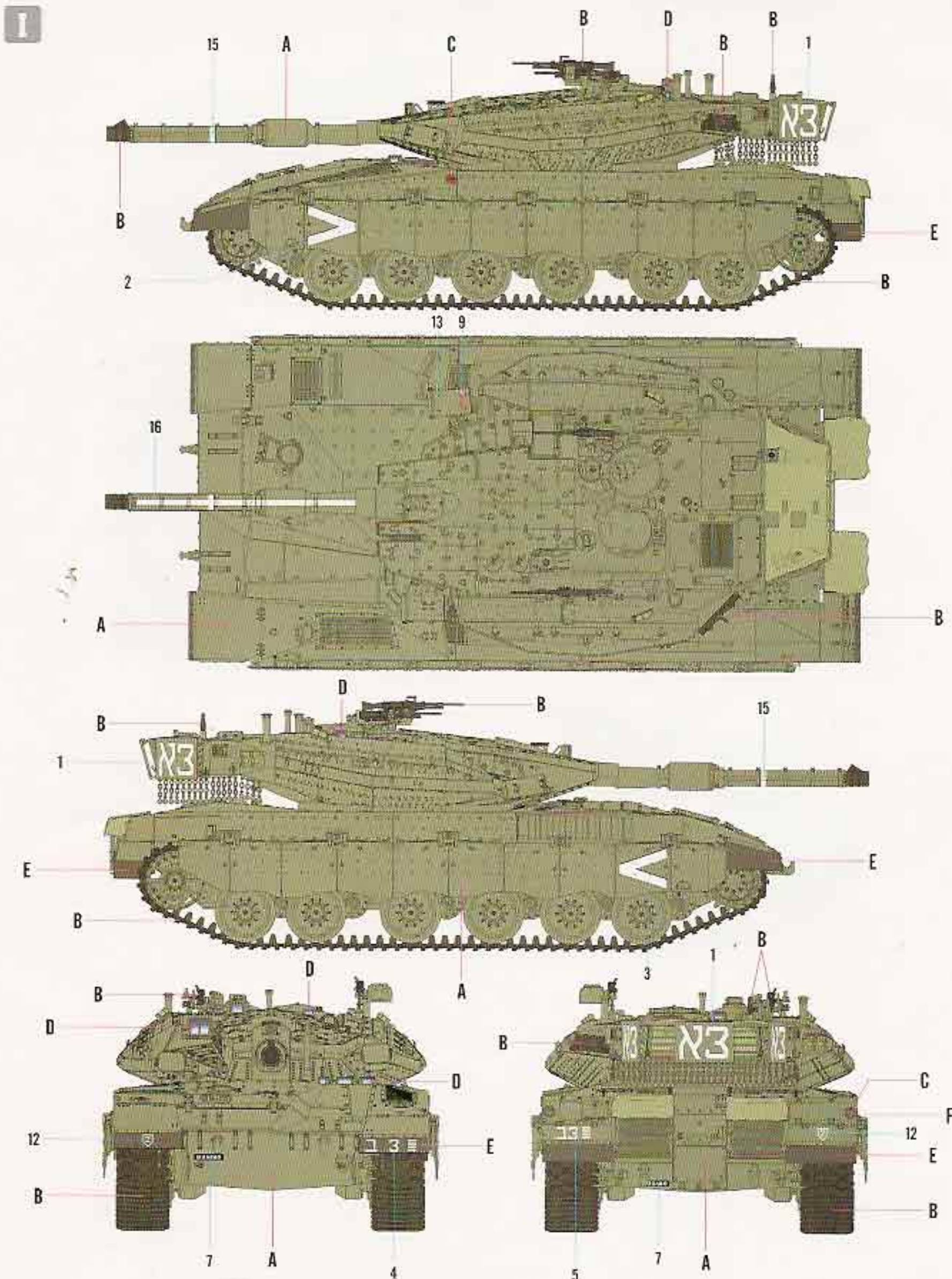
B14



B14

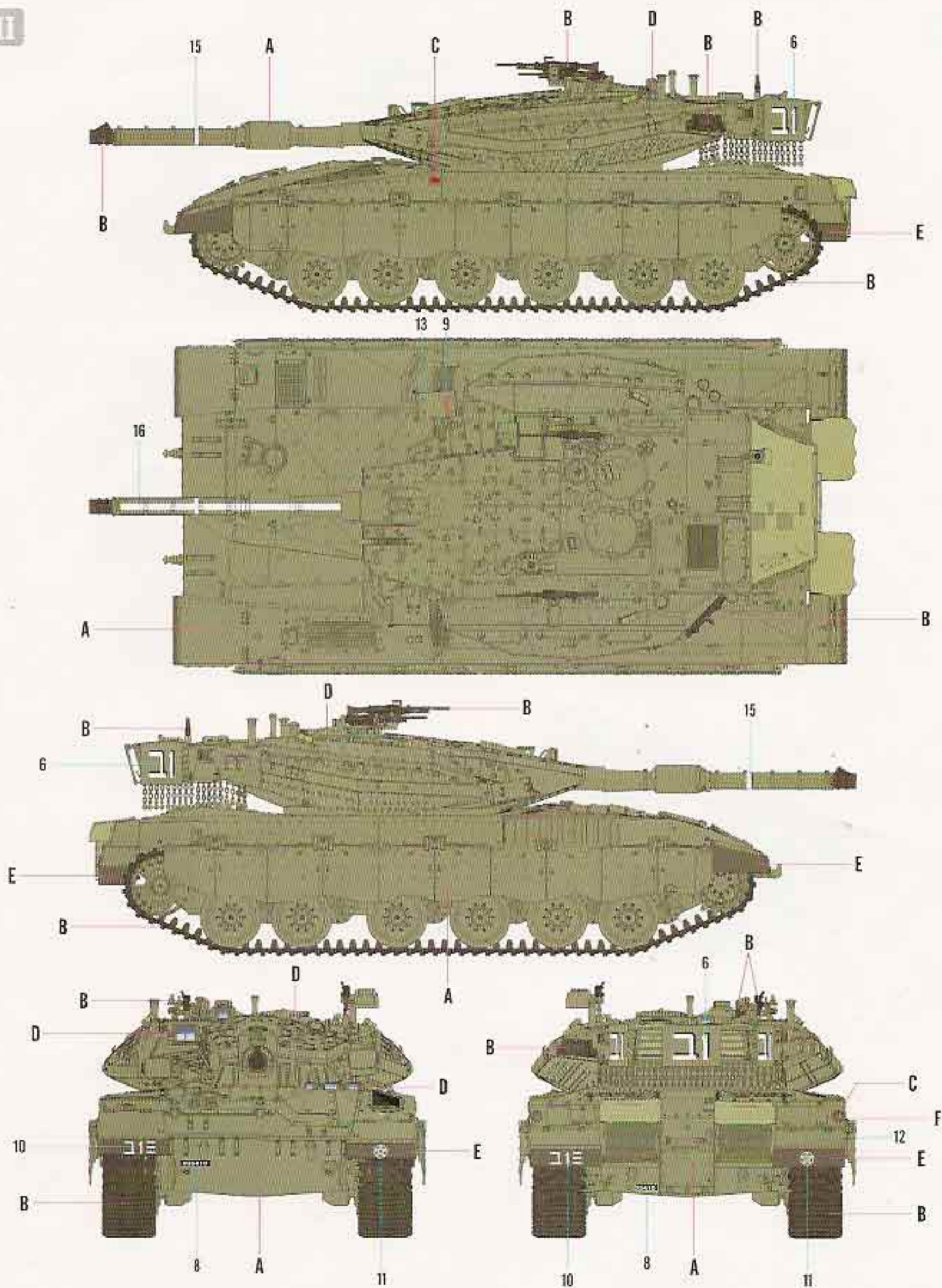
《铜缆》
Brass wire





Color	Mr.Hobby	Vallejo	Model Master	Tamiya	Humbrol
A 西原灰 Sami Gray	H[70] 80 + H[74] 98	—	—	—	—
B 常铁色 Steel	H[11] 23	884	1402	—	—
C 红色 Red	H[1] 3	908	1503	X7	19

II



Color	Mr.Hobby	Vallejo	Model Master	Tamiya	Humbrol
D 透明藍 Clear Blue	H 03 50	938	—	X23	—
E 胎黑色 tire Black	H 07 107	—	—	—	—
F 银色 Silver	H 08 8	997	1546	XII	11

NO.:82441

*Some paints may not be available in your country. Please check your local hobby shop for substitute