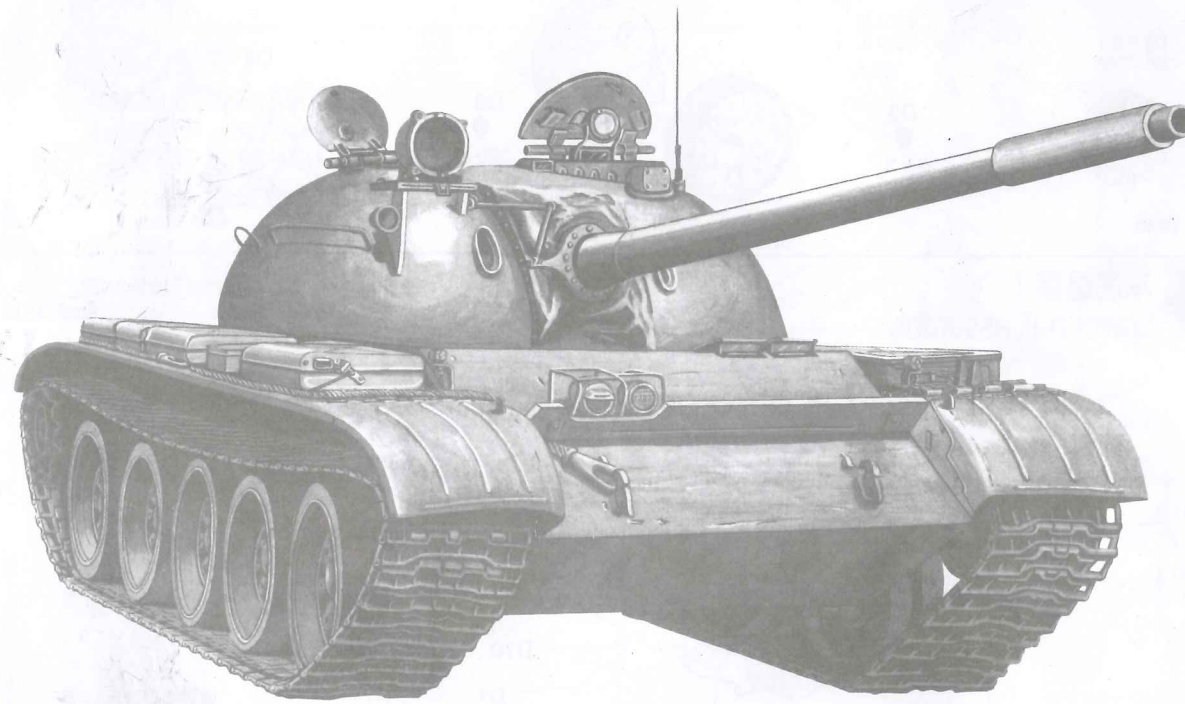


Russian T-55 Model 1958

俄罗斯T-55 1958年型



颜色指示 COLORS

X-1	黑色	Black	XF-9	船体红	Hull Red
X-2	白色	White	XF-51	土褐色	Khaki Drab
XF-1	浅黑色	Flat Black	XF-56	金属灰	Metallic Grey
XF-2	浅白色	Flat White	XF-60	暗黄色	Dark Yellow

水贴纸的使用:

1. 从水贴纸上剪下印花;
2. 将印花放入温水中浸10秒, 然后放在干净布上。
3. 拿着印花纸板将印花移到模型上;
4. 手指蘸水将印花移到适当的位置;
5. 用软布轻压印花直至水干, 气泡消失。

DECAL APPLICATION

1. Cut off decal from sheet.
2. Dip the decal in tepid water 40°C for about 10 sec. and place on a clean cloth.
3. Hold the backing sheet edge and slide decal onto the model.
4. Move decal into position by wetting decal with finger.
5. Press decal gently down with a soft cloth until excess water and air bubbles are gone.

必备工具 Required

水口剪 Side Cutters
刀片 Knife
钻头 Pin Vise
剪刀 Scissors
一字螺丝批 (-)Screwdriver
十字螺丝批 (+)Screwdriver
镊子 Tweezers
锉刀 File

符号表示 Mark

涂胶水 Cement
不涂胶水 No Cement
水贴纸 Decal
颜色指示 Paint Colors

1 车轮组装 Wheel assembly

《承压轮》 Road Wheel 制作10套 Make 10
《驱动轮》 Drive Sprocket 制作2套 Make 2

《诱导轮》 Idler Wheel 制作2套 Make 2

D2, D3, D4, D5, D6, D8, XF-1

2 车底组装 I Lower hull assembly I

电动模型参照3.4页 Refer to page 3.4 for motorized model
静态模型参照3.4页 Refer to page 3.4 for static model

车体下部 Lower hull

D1, D10, D11, B71

切除 Cut

3 车底组装 II Lower hull assembly II

《承压轮》 Road Wheel
《诱导轮》 Idler Wheel

G1, G2, G3, G4, Road Wheel, Idler Wheel

4 后板组装 I Rear panel assembly I

《电动模型》 Motorized model
《静态模型》 Static model

A23, D7, D9, D11, D12, Drive Sprocket, Hexagonal shaft

5 车体上部组装 I Upper hull assembly I

修整网状 Cut mesh (full size) 制作2套 Make 2
22mmX7.8mm
50.5mmX11.6mm

A24, A25, A26, A27, A32, A33, A37, A38, A40, A41, A42, A43, A44, A45, B6, B60, B61, B71, B81, B88, B90, B91, X-1, X-2, J18

开孔 1mm Make 1 mm hole

透明部分 A Transparent part A

切除 Cut 制作2套 Make 2

用小刀切下透明部分 A Cut out transparent part A as shown

MM TYPE 59.00303

3 车体上部组装 II Upper hull assembly II

《工具箱A》 Tool box A
《工具箱B》 Tool box B
《工具箱C》 Tool box C
《工具箱D》 Tool box D

《牵引绳》 Tow cable 制作2套 Make 2

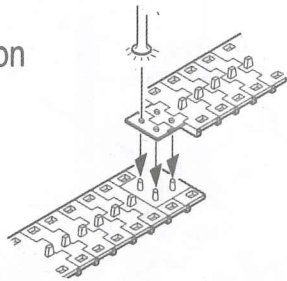
110mm

B1, B2, B3, B4, B5, B6, B7, B8, B9, B10, B11, B12, B13, B14, B15, B16, B17, B18, B19, B20, B21, B22, B23, B24, B25, B26, B27, B28, B29, B30, B31, B32, B33, B34, B35, B36, B37, B38, B39, B40, B41, B42, B43, B44, B45, B46, B47, B48, B49, B50, B51, B52, B53, B54, B55, B56, B57, B58, B59, B60, B61, B62, B63, B64, B65, B66, B67, B68, B69, B70, B71, B72, B73, B74, B75, B76, B77, B78, B79, B80, B81, B82, B83, B84, B85, B86, B87, B88, B89, B90, B91, B92, B93, B94, B95, B96, B97, B98, B99, B100, J1, J2, J3, J4, J5, J6, J7, J8, J9, J10, J11, J12, J13, J14, J15, J16, J17, J18, J19, J20, J21, J22, J23, J24, J25, J26, J27, J28, J29, J30, J31, J32, J33, J34, J35, J36, J37, J38, J39, J40, J41, J42, J43, J44, J45, J46, J47, J48, J49, J50, J51, J52, J53, J54, J55, J56, J57, J58, J59, J60, J61, J62, J63, J64, J65, J66, J67, J68, J69, J70, J71, J72, J73, J74, J75, J76, J77, J78, J79, J80, J81, J82, J83, J84, J85, J86, J87, J88, J89, J90, J91, J92, J93, J94, J95, J96, J97, J98, J99, J100, X-1, X-2, XF-56

切除 Cut

Refer to page 8 for tow cable

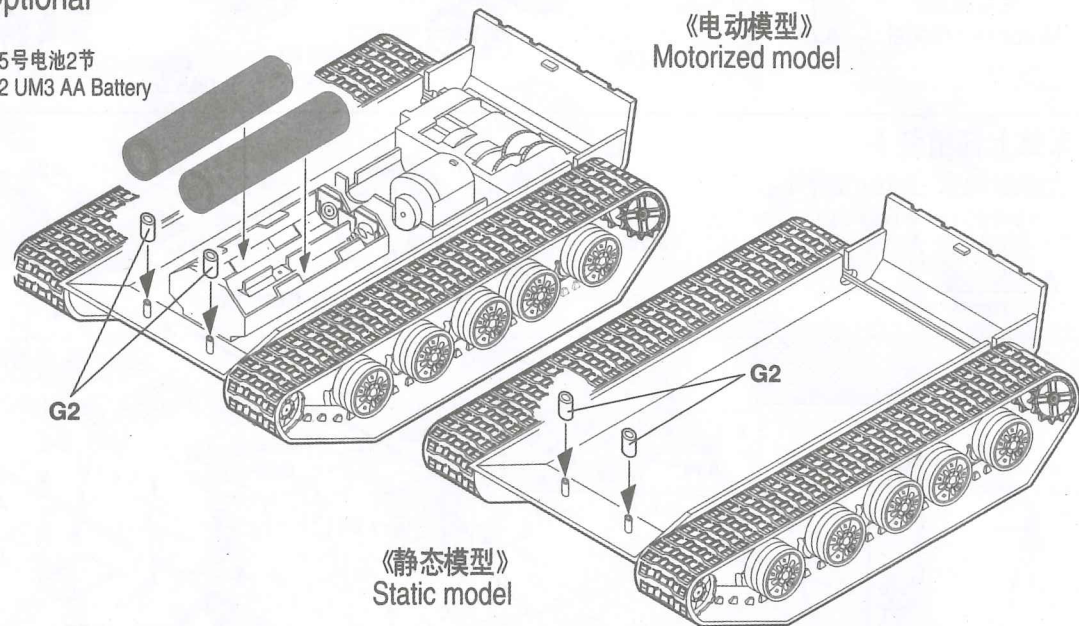
6 履带联接
Track construction



- 根据实际要求选择履带尺寸。
- 用热铁钉软化接头，用手指压下接头。若履带断裂，用细丝线固定。
- Melt pin heads carefully with a heated nail etc. Immediately press pin heads with your finger. If track is broken strengthen with staples, or thread.

7 选择组装
Optional

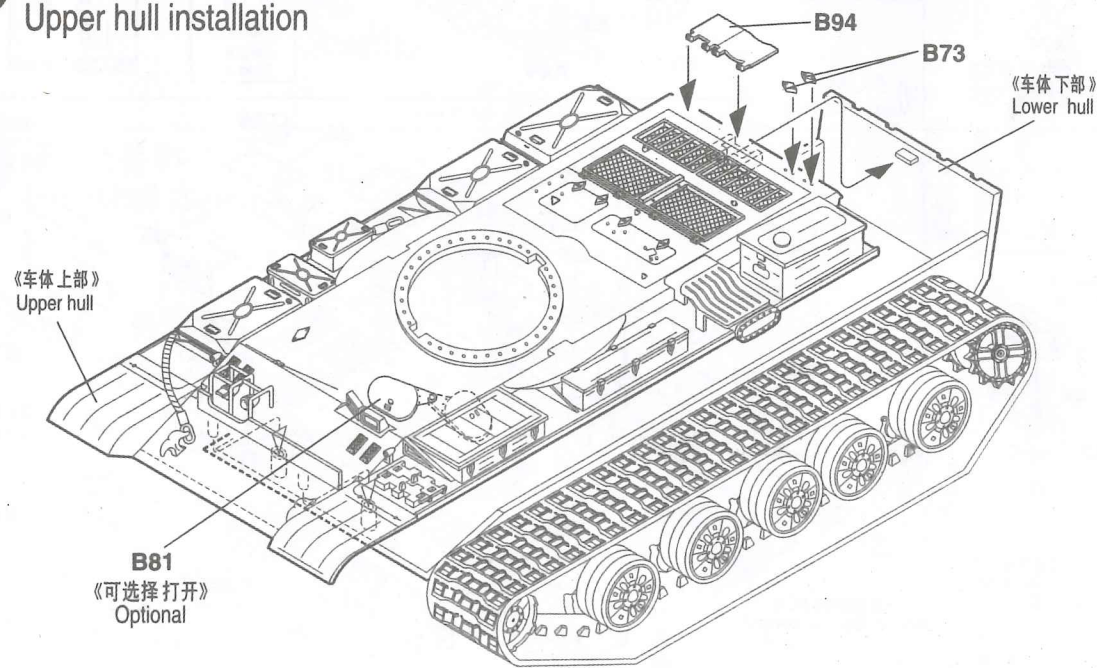
5号电池2节
2 UM3 AA Battery



《电动模型》
Motorized model

《静态模型》
Static model

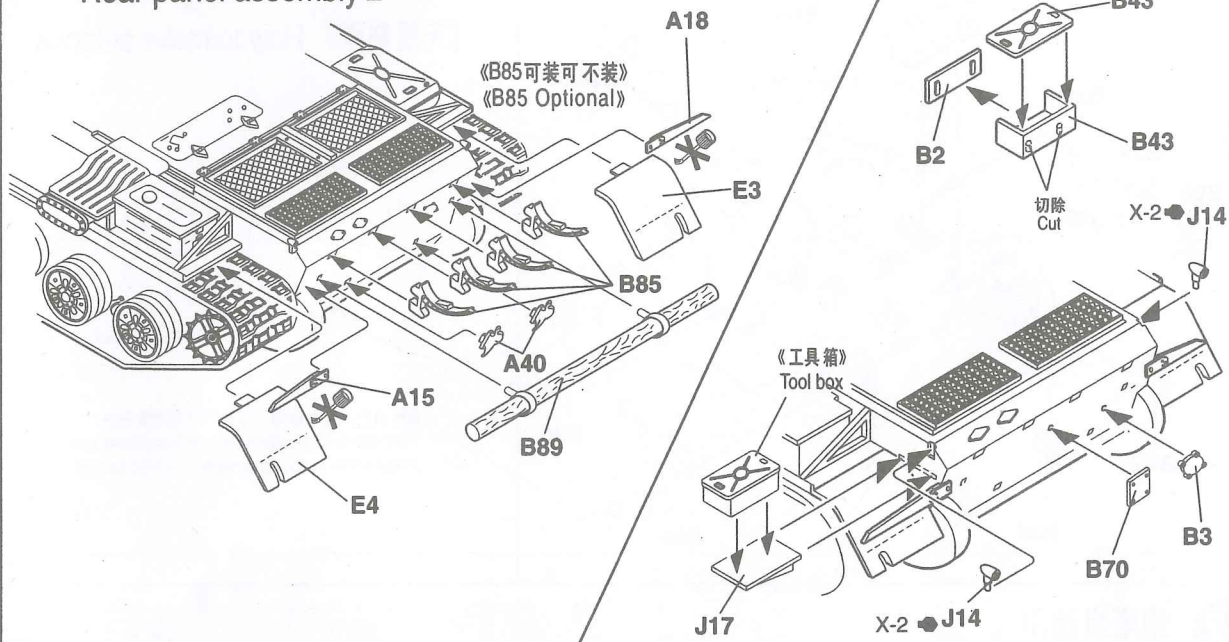
8 车体上部安装
Upper hull installation



《车体上部》
Upper hull

《车体下部》
Lower hull

9 后板组装 II
Rear panel assembly II

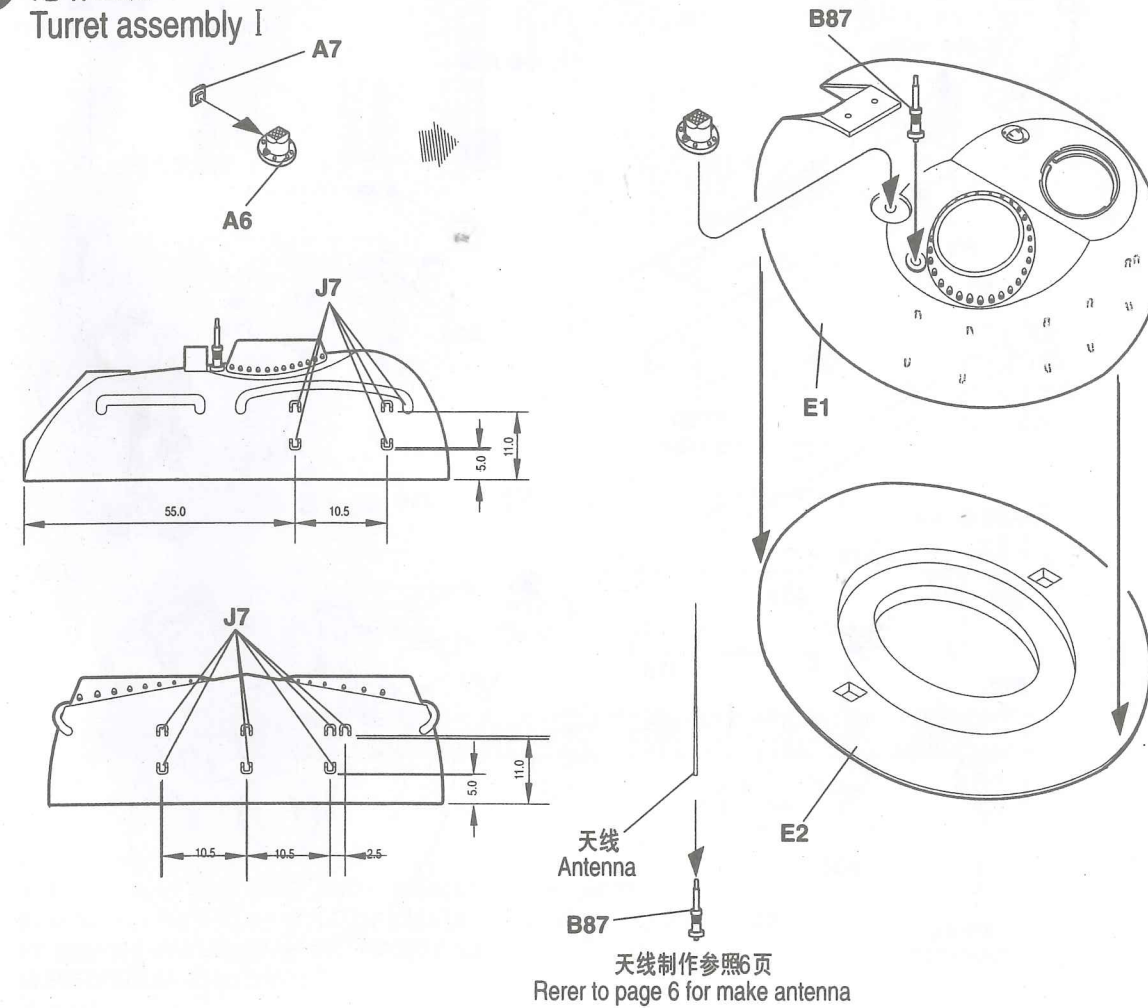


《工具箱》
Tool box

切除
Cut

《工具箱》
Tool box

10 炮塔组装 I
Turret assembly I

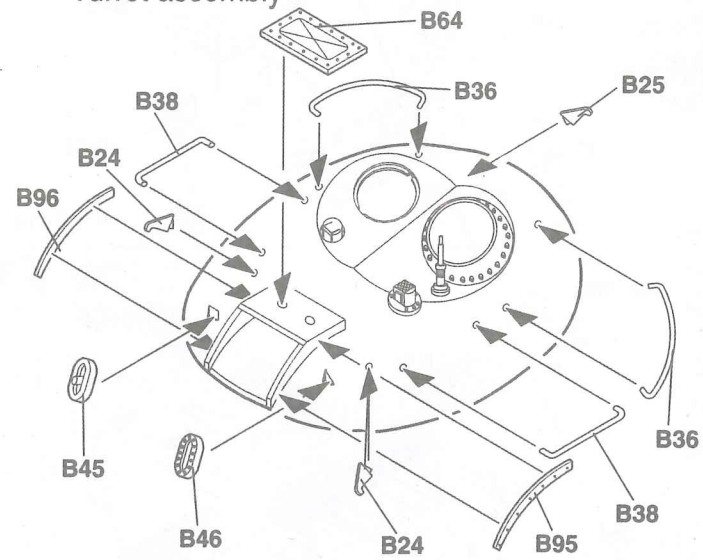


天线
Antenna

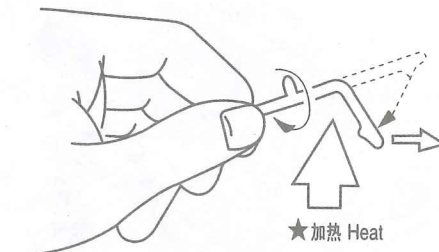
B87

天线制作参照6页
Refer to page 6 for make antenna

11 炮塔组装 II
Turret assembly II

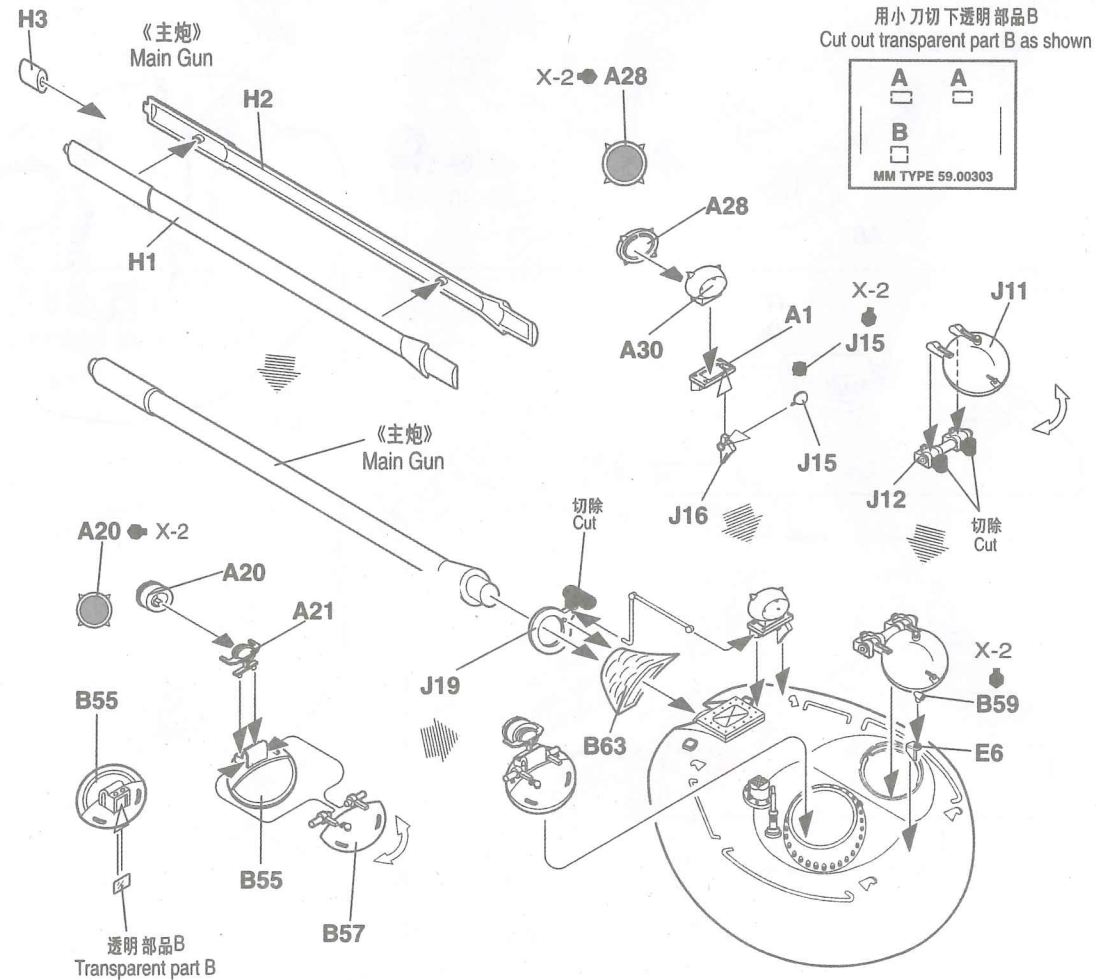


《天线制作》 How to make antenna

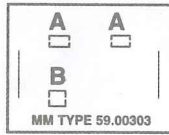


★加热浇口，拉线冷却，冷却后切成所需长度
Heat sprue as shown, Remove from flame and stretch Allow to cool and cut to required Length.

12 炮塔组装 III
Turret assembly III

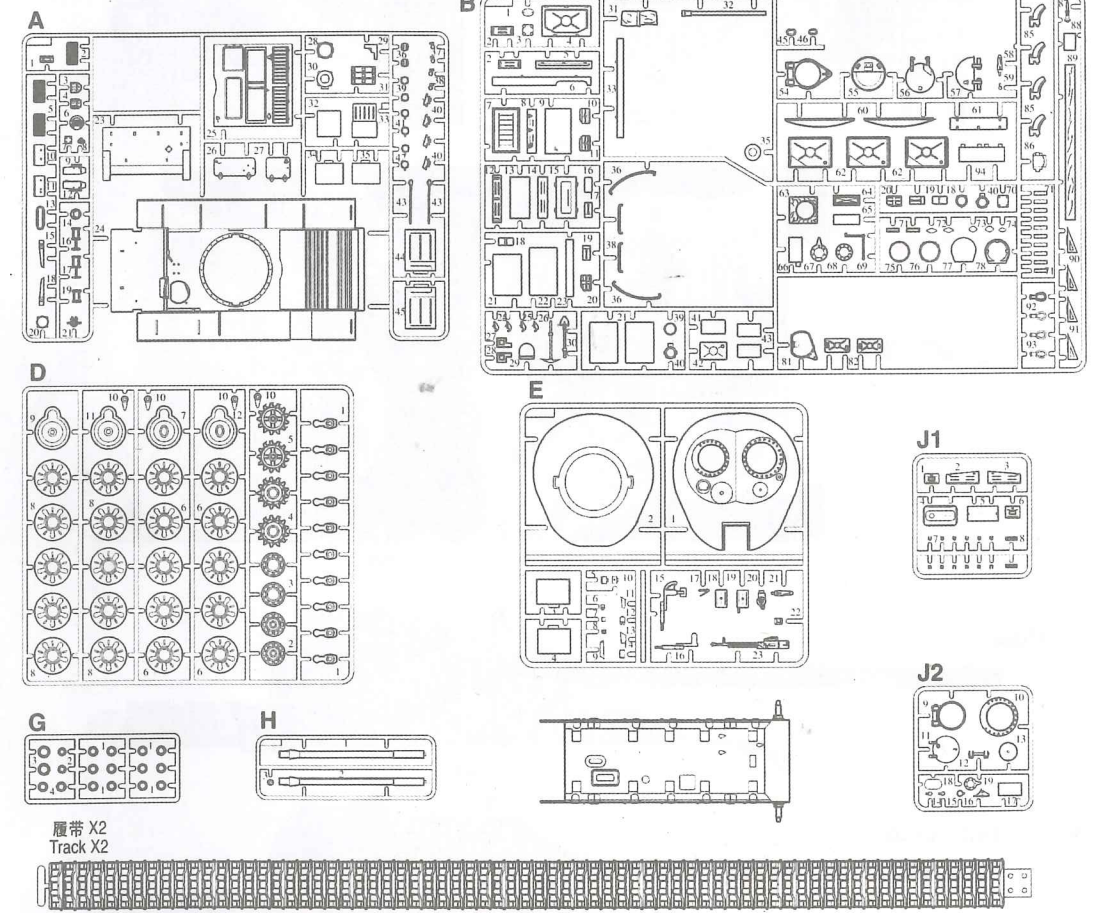
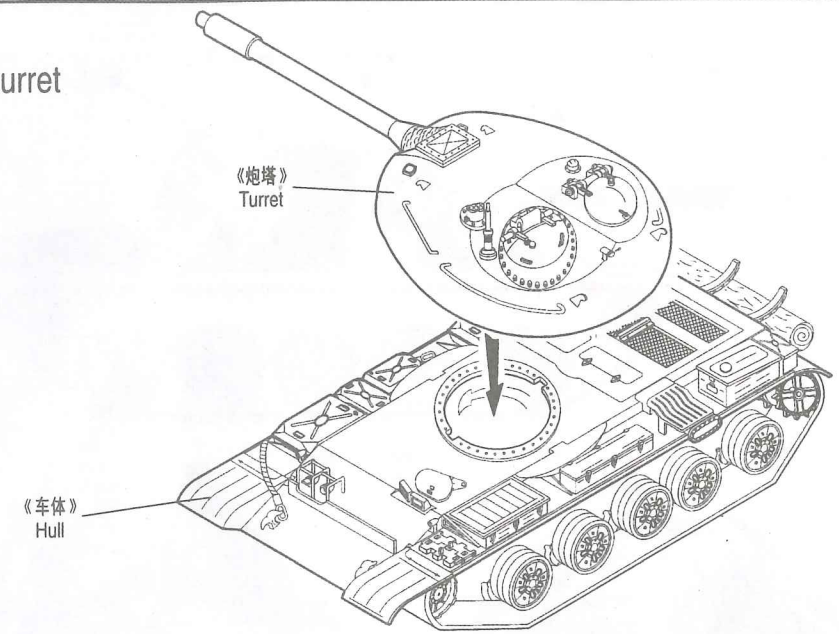


用小刀切下透明部品B
Cut out transparent part B as shown



透明部品B
Transparent part B

13 炮塔连接
Attaching turret



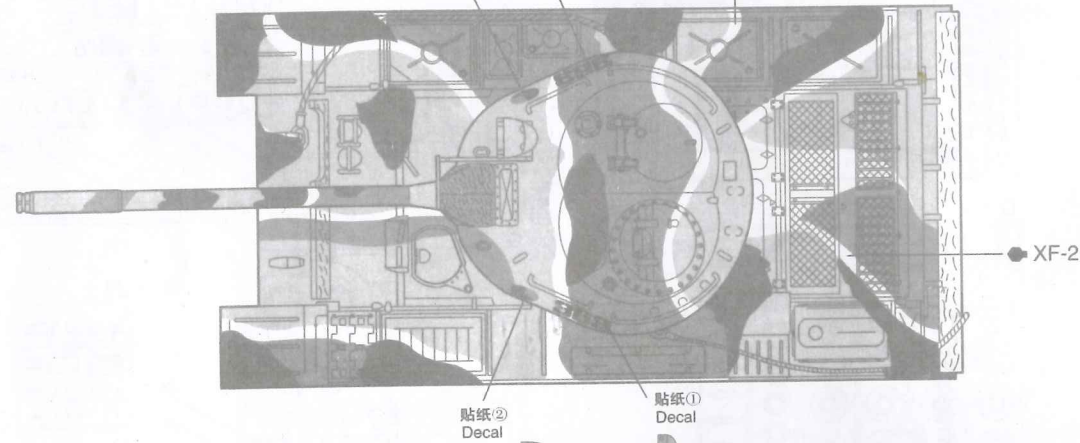
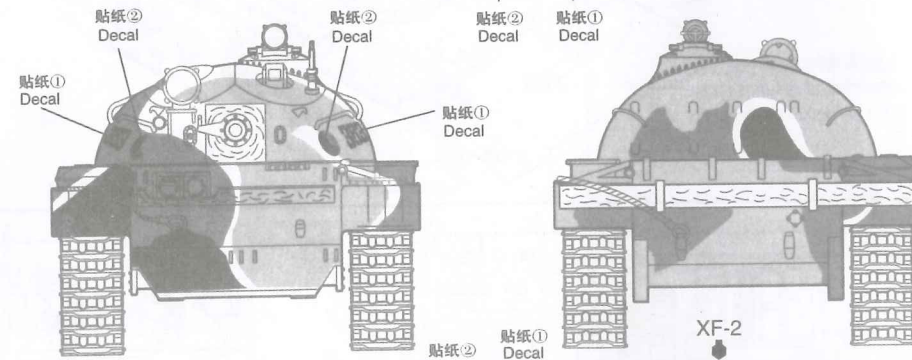
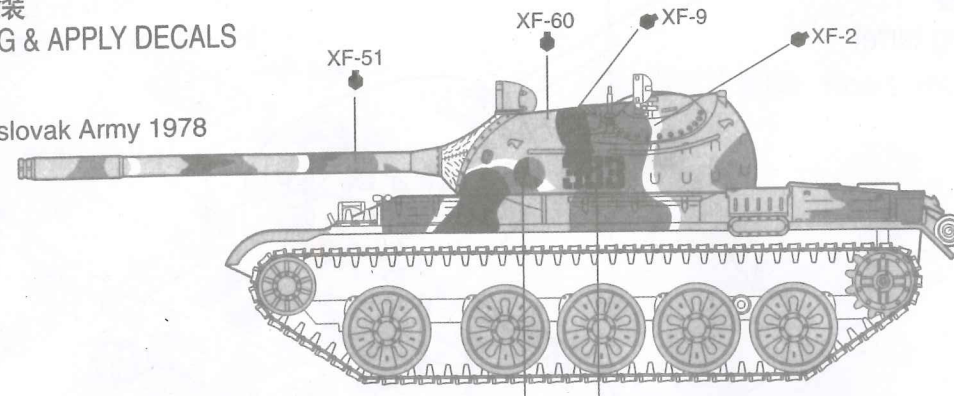
不用部品

Parts not used

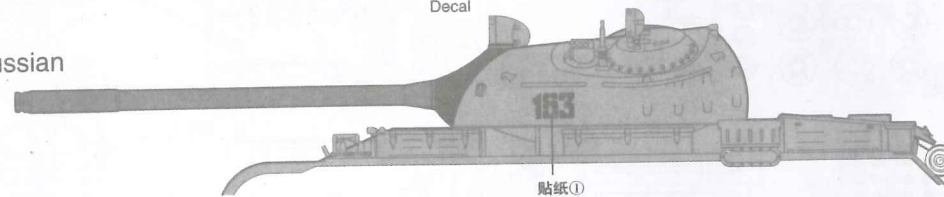
- A2.A3.A4.A5.A6.A7.A8.A9.A10.A11.A12.A14.A16.A19.A29.A34.A35.A43X2
- B1.B4.B5.B10.B11.B13.B14.B15.B16.B17.B18.B19.B20.B22.B26.B27.B28.B29.B30
- B31.B32.B33.B39.B40.B58.B65.B66.B67.B68.B72.B74.B75.B76.B77.B78.B86
- E5.E6.E7.E8.E9.E10.E11.E12.E13.E14
- J9.J10.J13

贴纸及涂装
PAINTING & APPLY DECALS

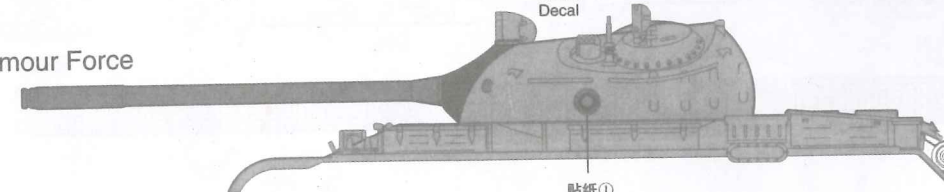
捷克
Czechoslovak Army 1978



前苏联
Former Russian



芬兰
Finnish Armour Force



北韩陆军
North Korean

