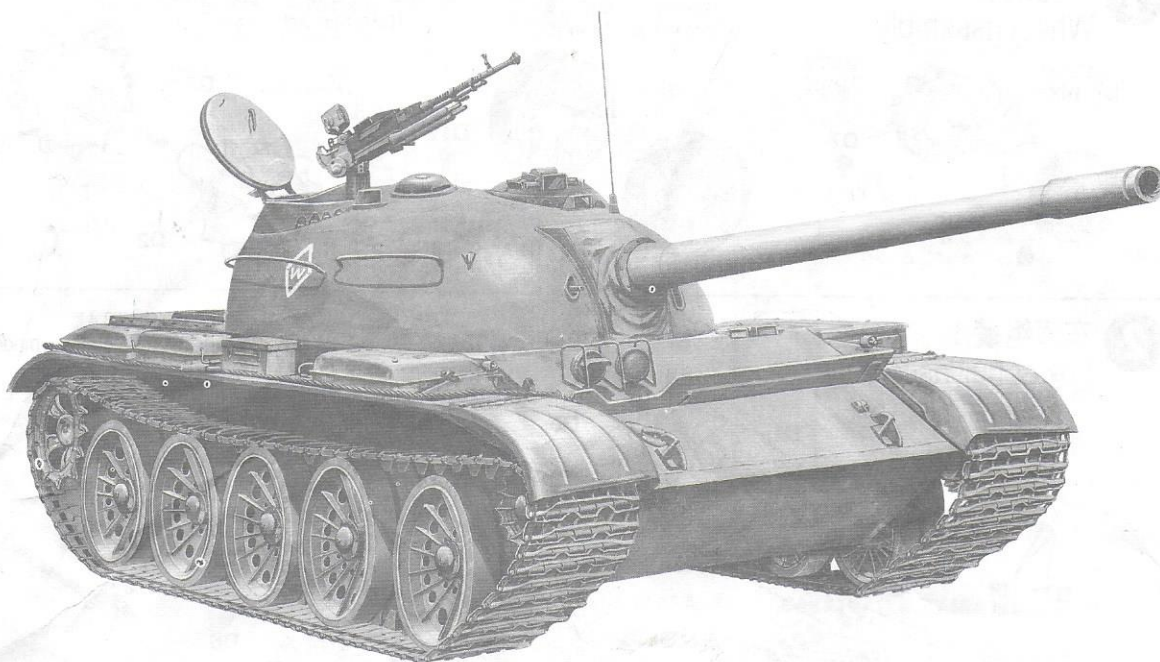


Russian T-54A Model 1951

俄罗斯T-54A 1951年型



颜色指示·COLORS

X-1	黑色	Black	XF-2	浅白色	Flat White
X-2	白色	White	XF-55	棕褐色	Deck Tan
X-7	红色	Red	XF-56	金属灰	Metallic Grey
X-10	炮铜色	Gun Metal	XF-58	橄榄绿	Olive Green
XF-1	浅黑色	Flat Black			

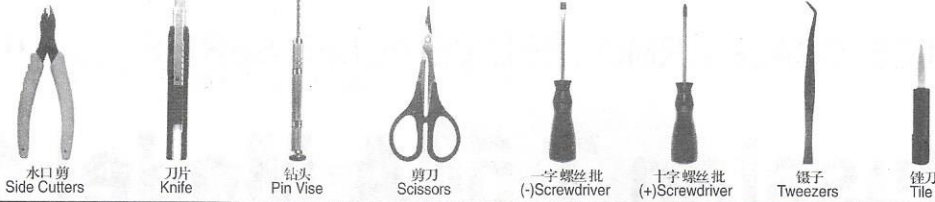
水贴纸的使用:

1. 从水贴纸上剪下印花;
2. 将印花放入温水中浸10秒, 然后放在干净布上。
3. 拿着印花纸板将印花移到模型上;
4. 手指蘸水将印花移到适当的位置;
5. 用软布轻压印花直至水干, 气泡消失。

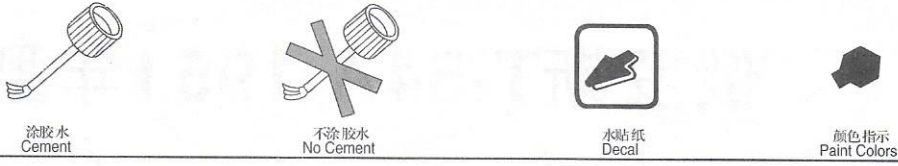
DECAL APPLICATION

1. Cut off decal from sheet.
2. Dip the decal in tepid water 40°C for about 10 sec. and place on a clean cloth.
3. Hold the backing sheet edge and slide decal onto the model.
4. Move decal into position by wetting decal with finger.
5. Press decal gently down with a soft cloth until excess water and air bubbles are gone.

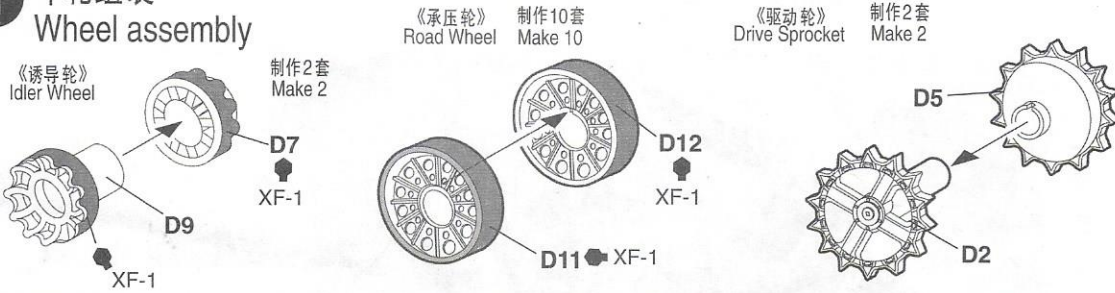
必备工具
Required



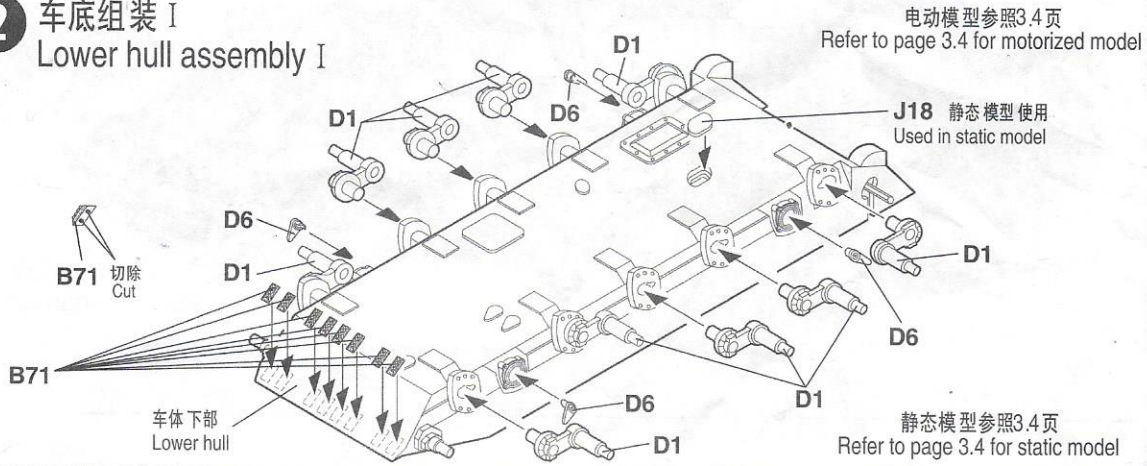
符号表示
Mark



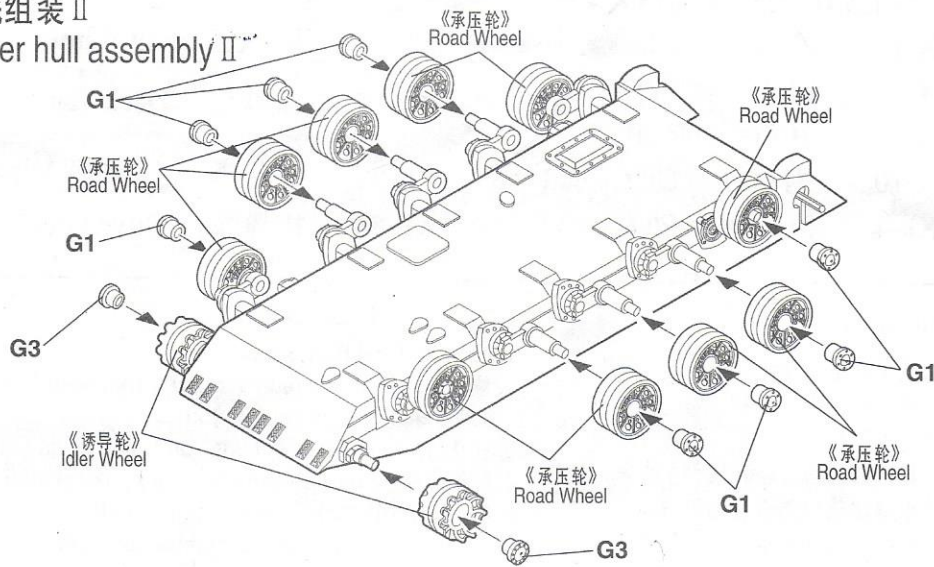
1 车轮组装
Wheel assembly



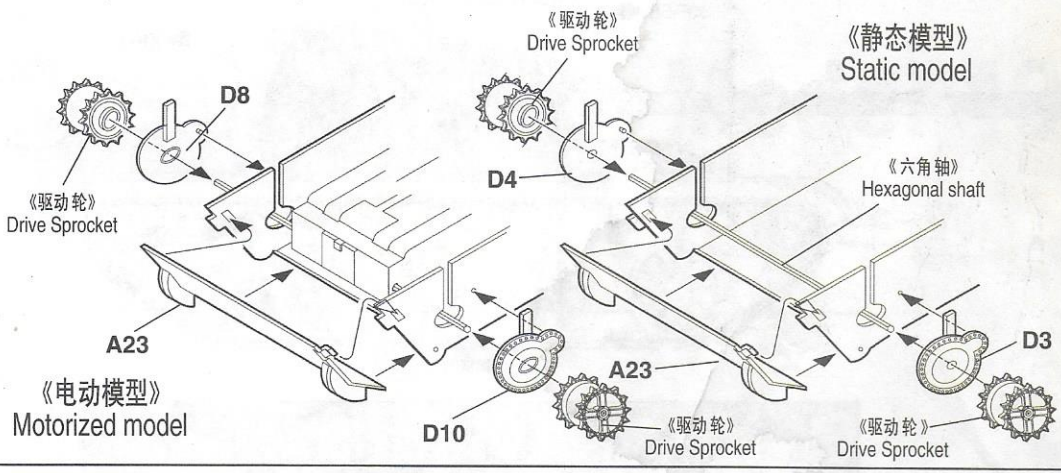
2 车底组装 I
Lower hull assembly I



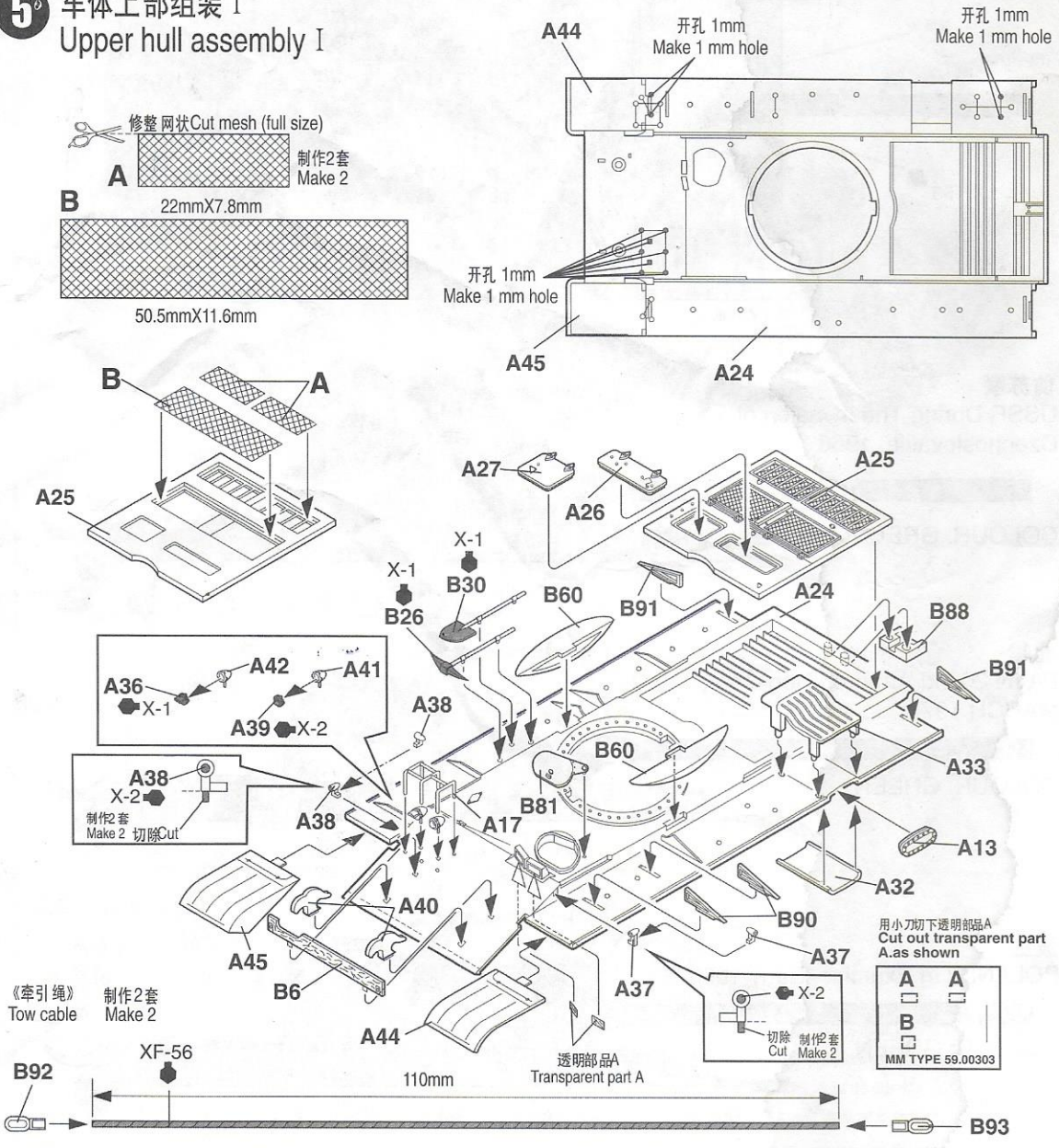
3 车底组装 II
Lower hull assembly II



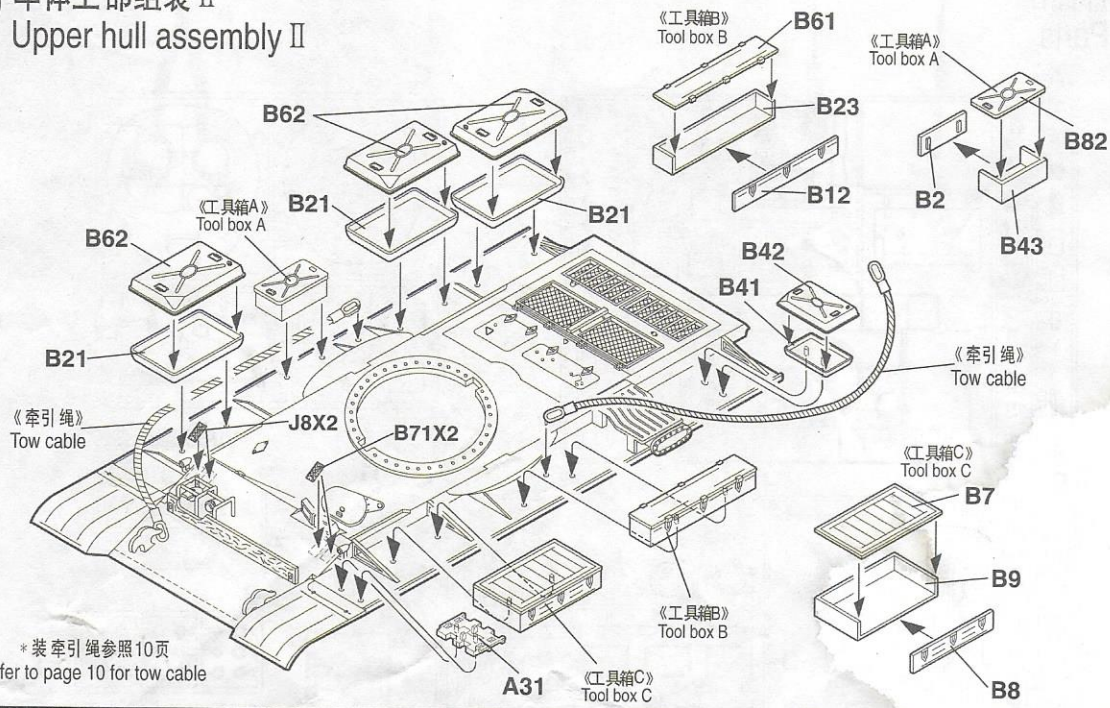
4 后板组装 I Rear panel assembly I



5 车体上部组装 I Upper hull assembly I

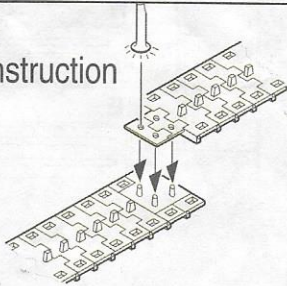


6 车体上部组装 II Upper hull assembly II



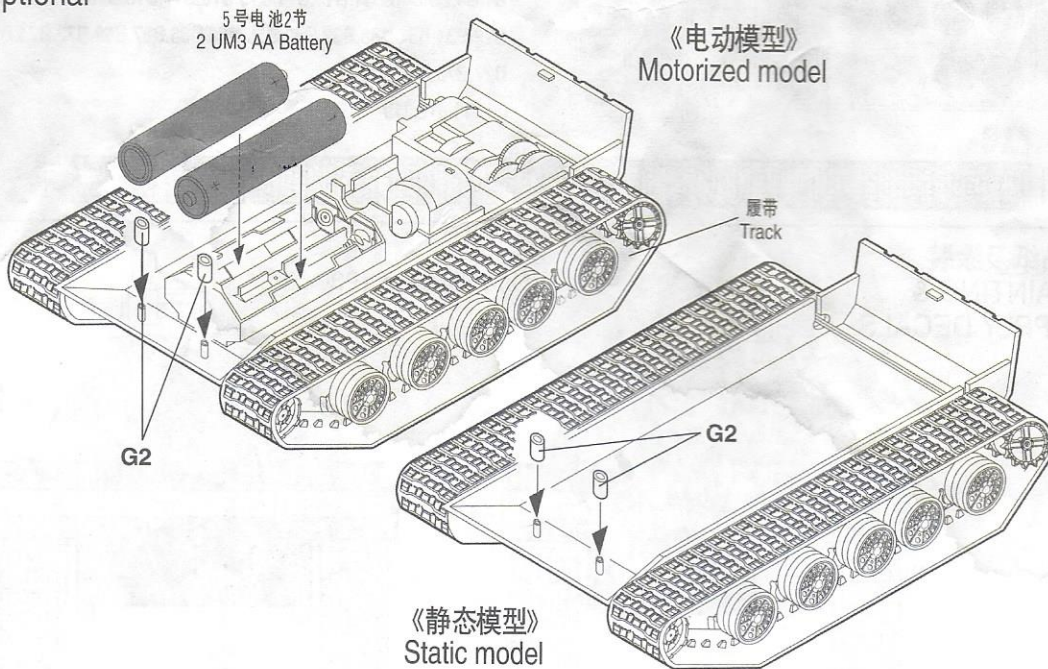
*装牵引绳参照10页
Refer to page 10 for tow cable

7 履带联接 Track construction

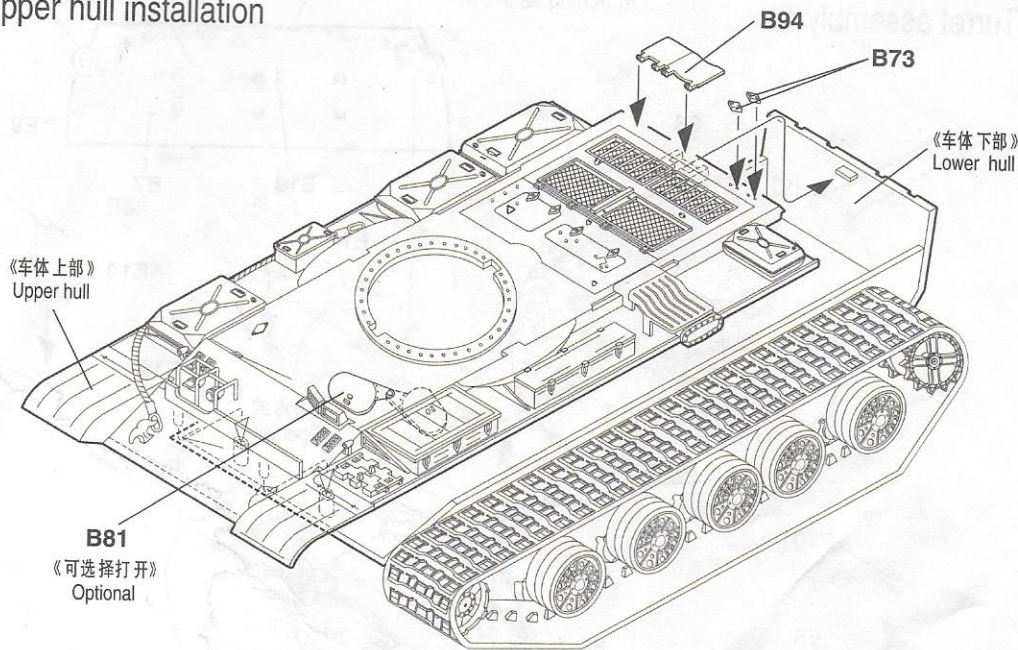


- 根据实际要求选择履带尺寸。
- 用热铁钉软化接头，用手指压下接头。若履带断裂，用细丝线固定。
- Melt pin heads carefully with a heated nail etc. Immediately press pin heads with your finger.
- If track is broken strengthen with staples, or thread.

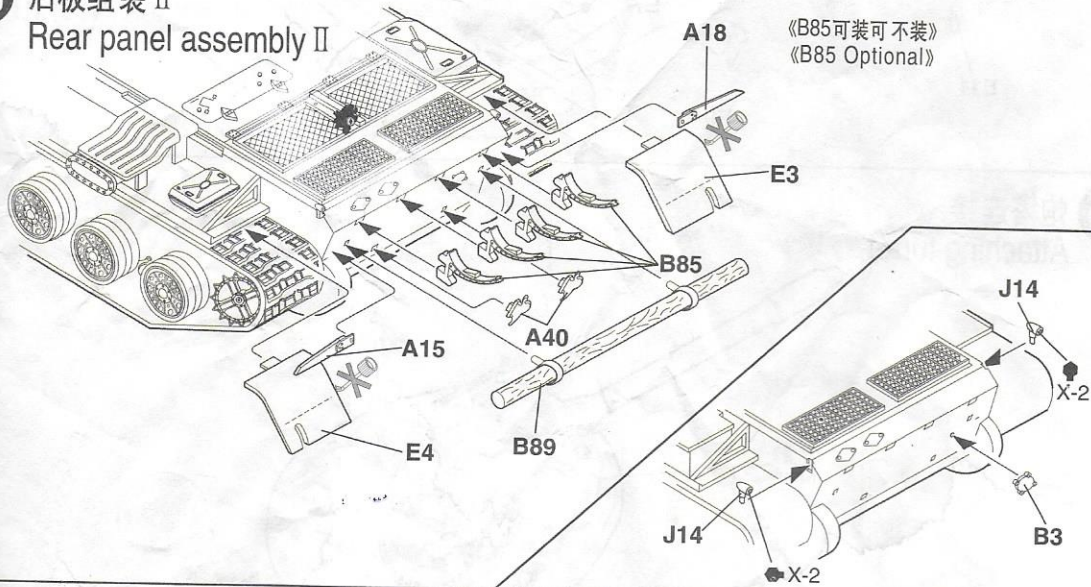
8 选择组装 Optional



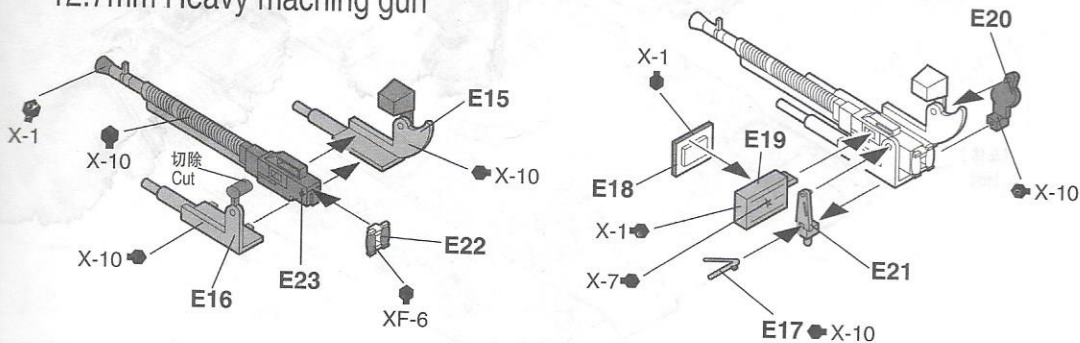
9 车体上部安装
Upper hull installation



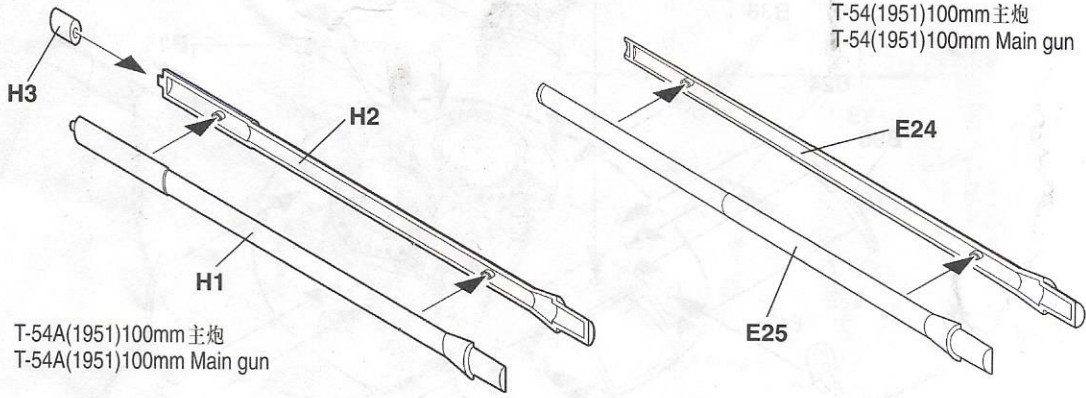
10 后板组装 II
Rear panel assembly II



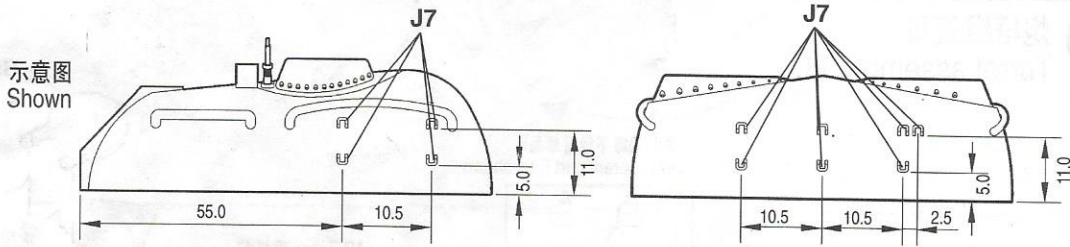
11 12.7mm 重机枪
12.7mm Heavy machine gun



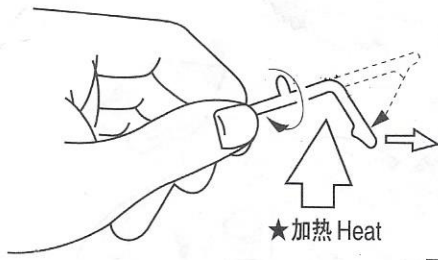
12 选择主炮组装
Optional main gun assembly



13 炮塔组装 I
Turret assembly I

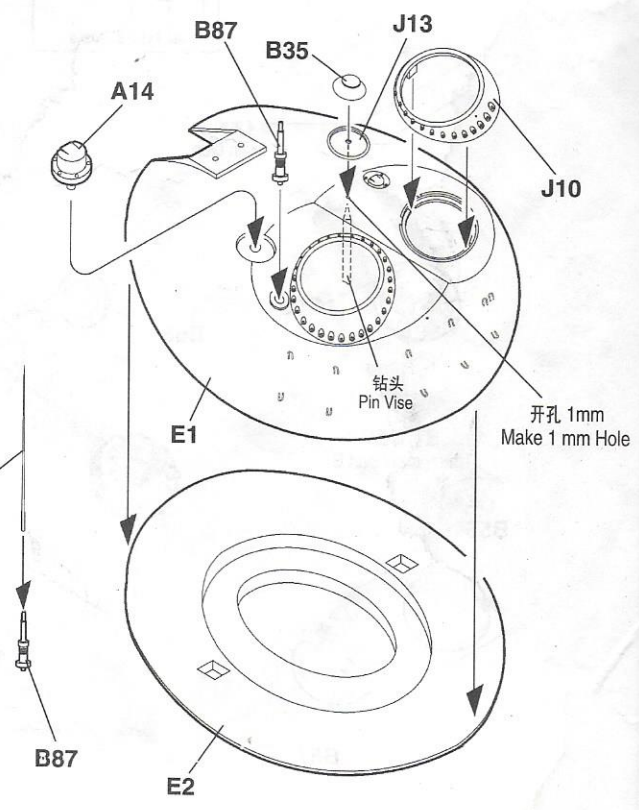


《天线制作》 How to make antenna

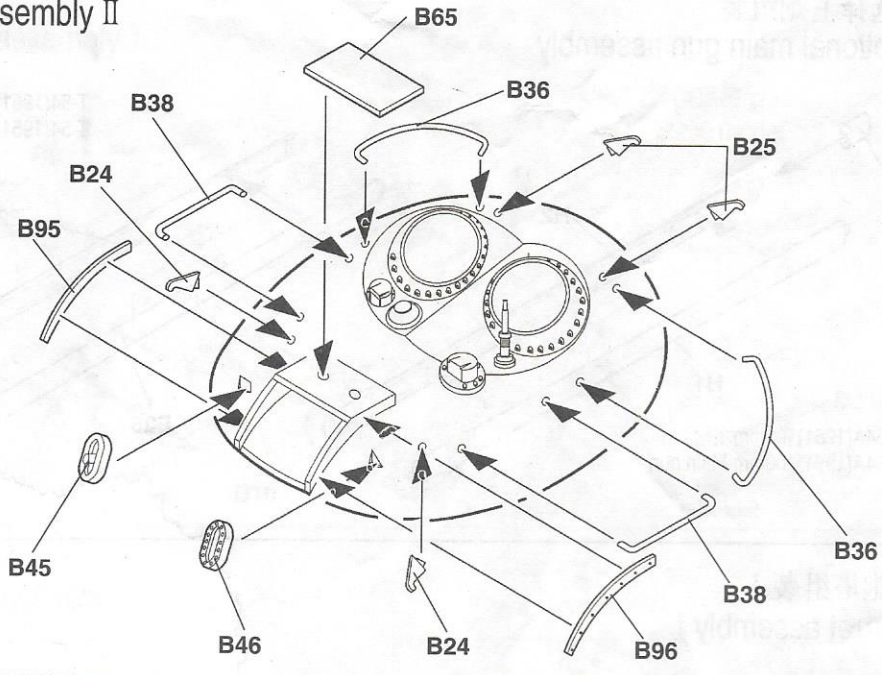


★加热浇口，拉线冷却，冷却后切成所需长度
Heat sprue as shown, Remove from flame and stretch. Allow to cool and cut to required Length.

天线
Antenna

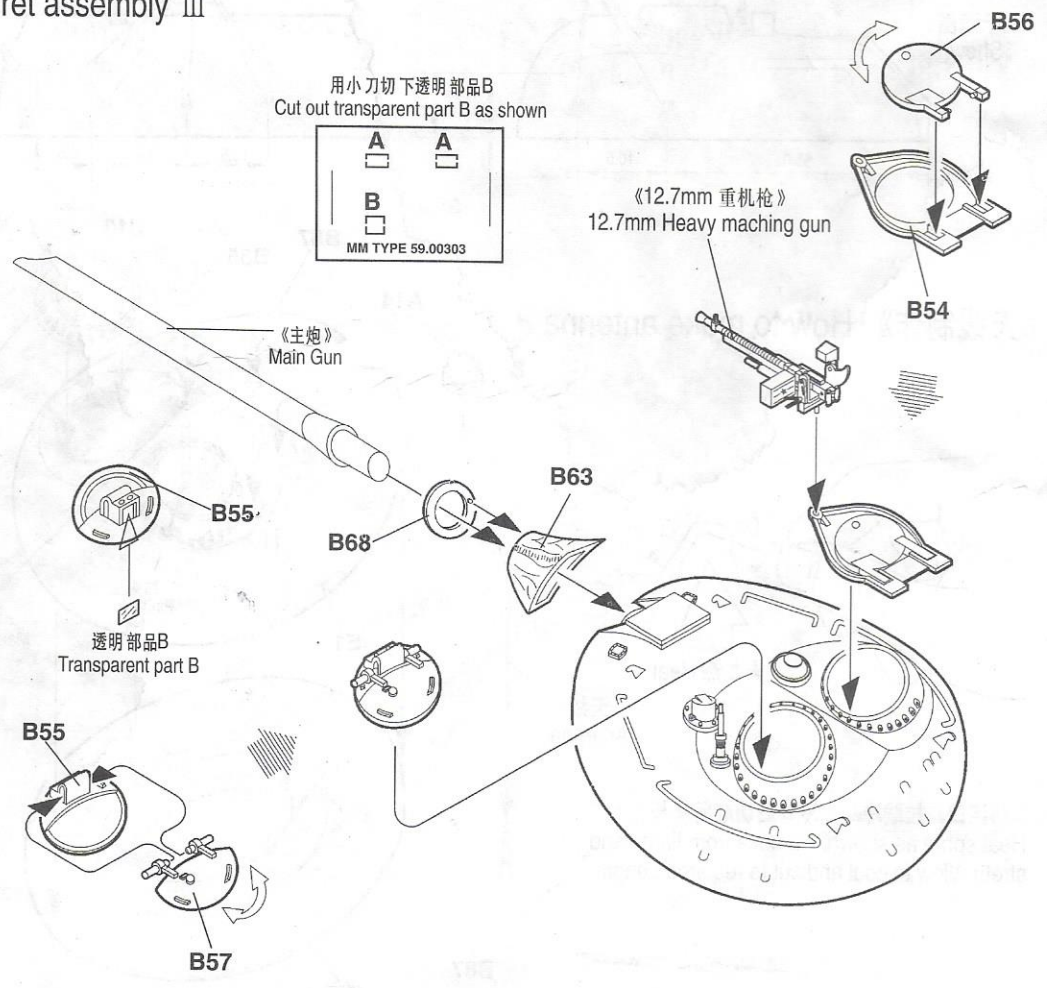
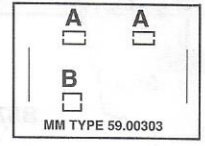


14 炮塔组装 II
Turret assembly II



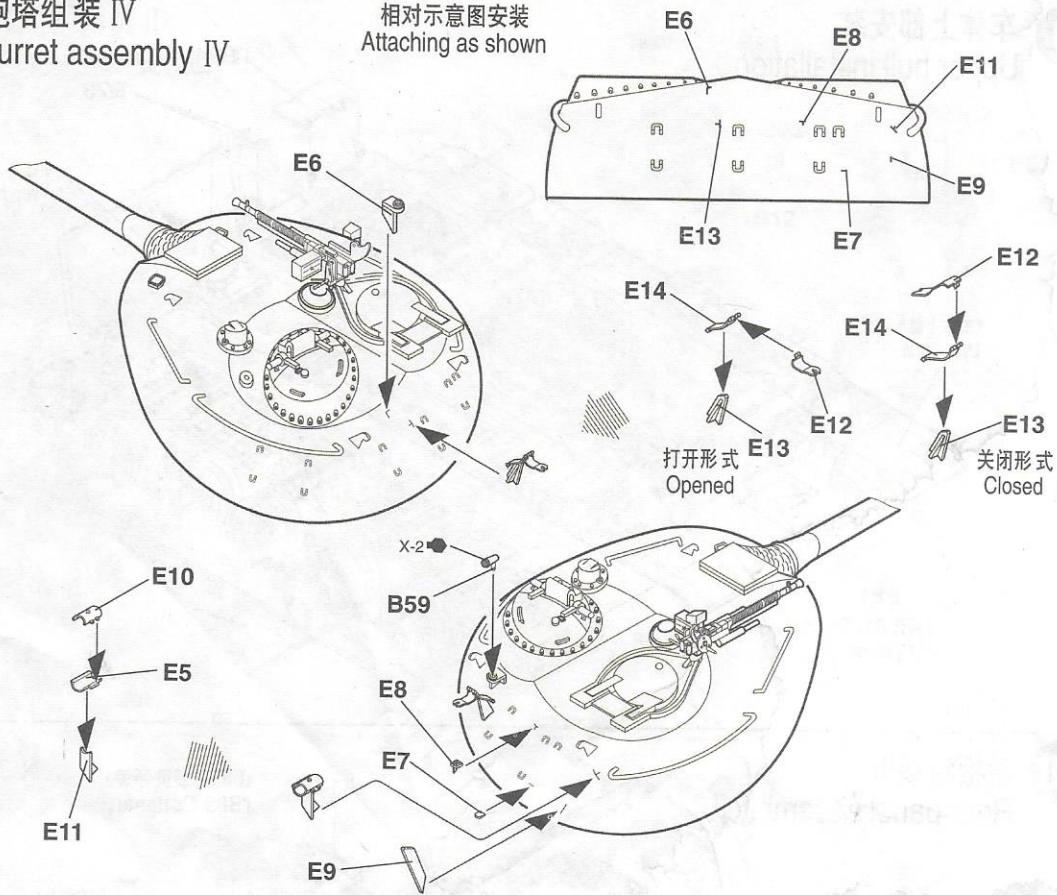
15 炮塔组装 III
Turret assembly III

用小刀切下透明部品B
Cut out transparent part B as shown

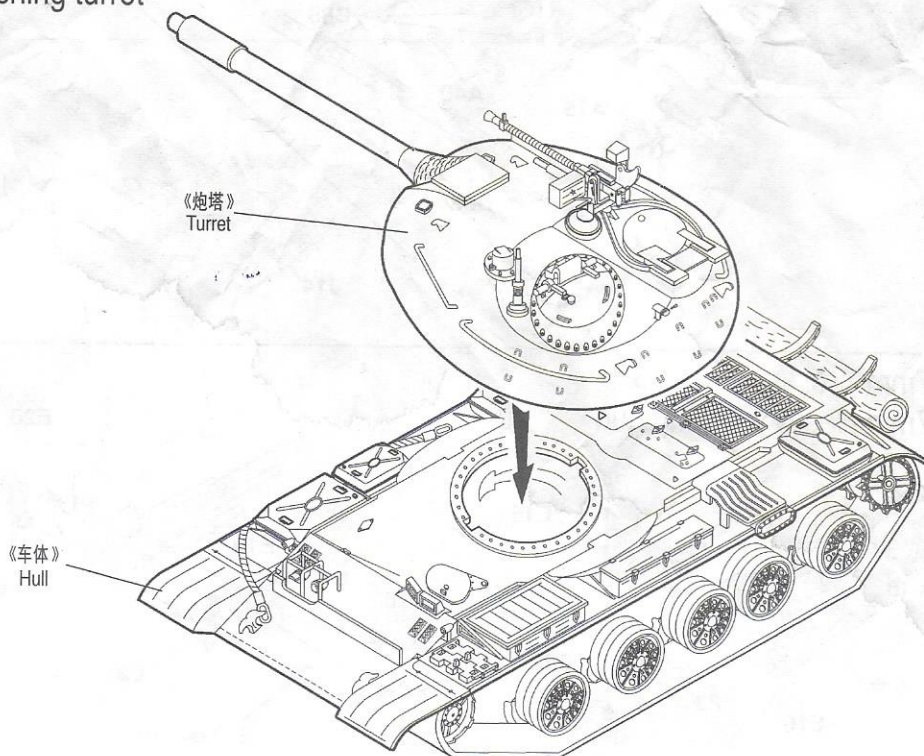


16 炮塔组装 IV
Turret assembly IV

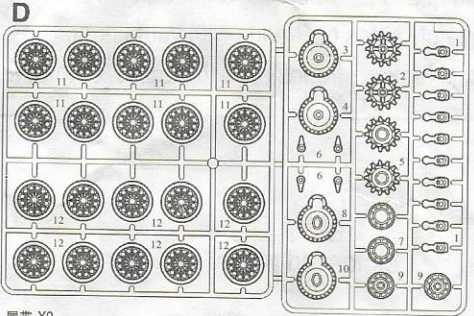
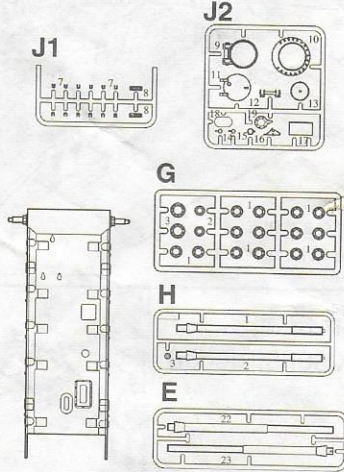
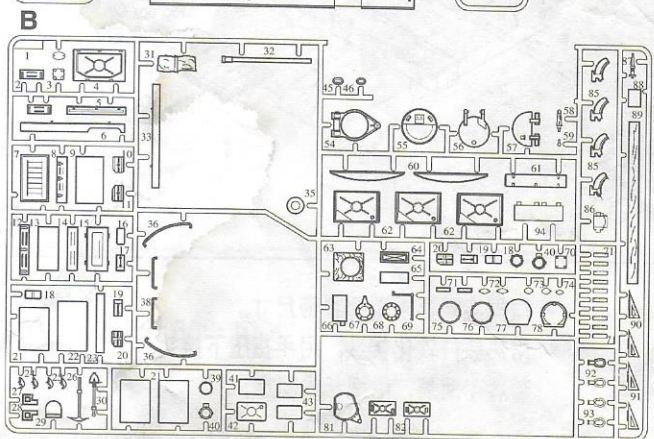
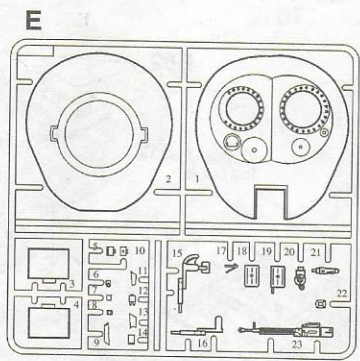
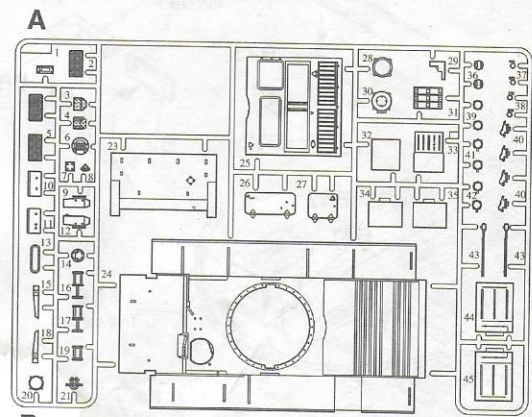
相对示意图安装
Attaching as shown



15 炮塔连接
Attaching turret



部品图
Parts



不用部品

Parts not used

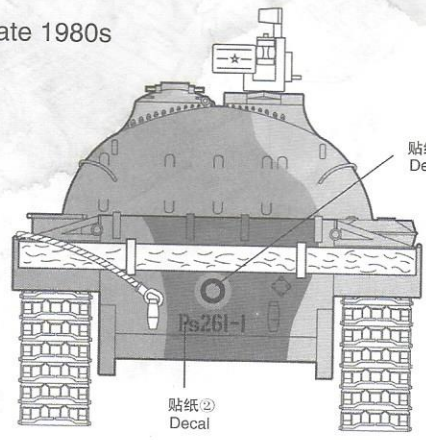
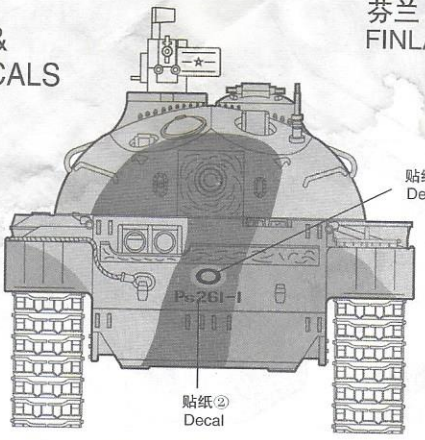
- A1.A2.A3.A4.A5.A6.A7.A8.A9.A10.A11.A12.A16.A19.A20.A21.A28.
A29.A30.A34.A35.A43.
B1.B4.B5.B10.B11.B13.B14.B15.B16.B17.B18.B19.B20.B22.B27.B28.
B29.B31.B32.B33.B39.B40.B58.B64.B66.B67.B69.B72.B74.B75.B76.
B77.B78.B86.
J9.J11.J12.J19

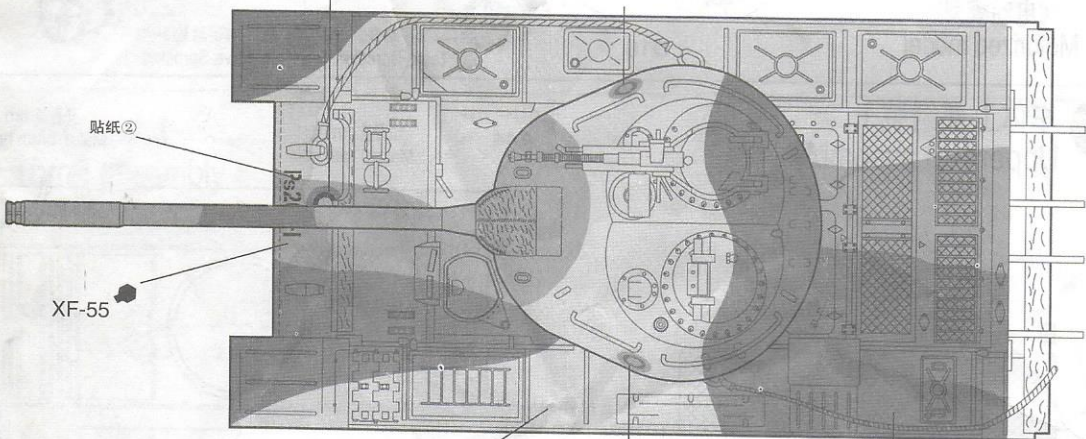
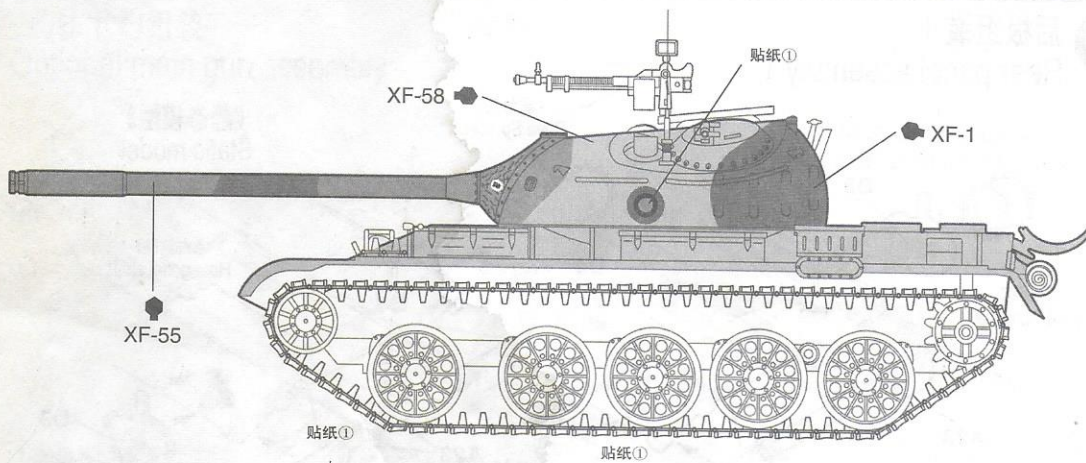
履带 X2
Track X2



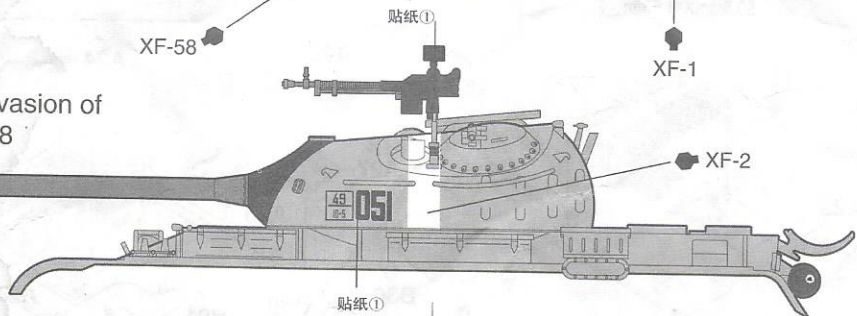
贴纸及涂装
PAINTING &
APPLY DECALS

芬兰
FINLAND Late 1980s



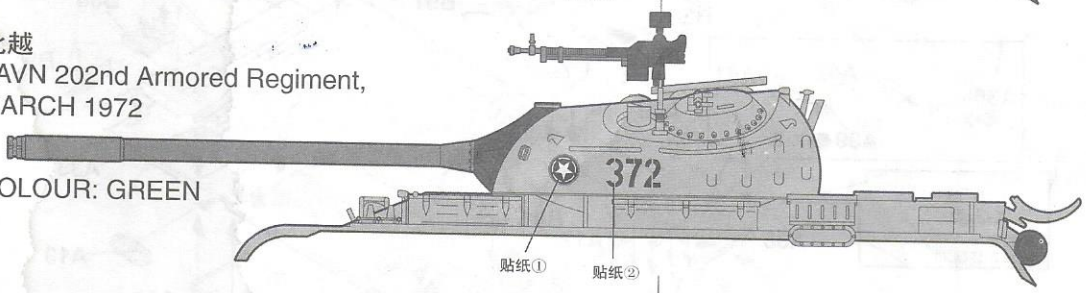


前苏联
USSR During The Invasion of
Czechoslovakia, 1968



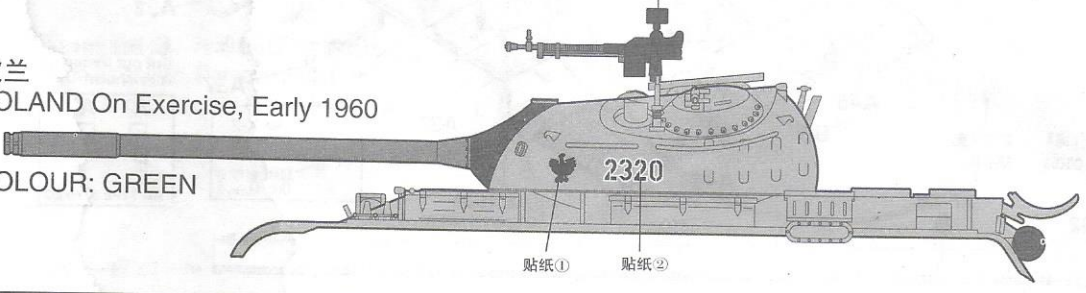
COLOUR: GREEN

北越
PAVN 202nd Armored Regiment,
MARCH 1972



COLOUR: GREEN

波兰
POLAND On Exercise, Early 1960



COLOUR: GREEN