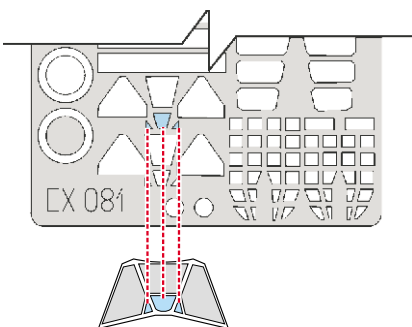
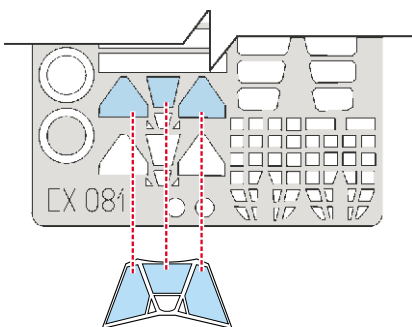
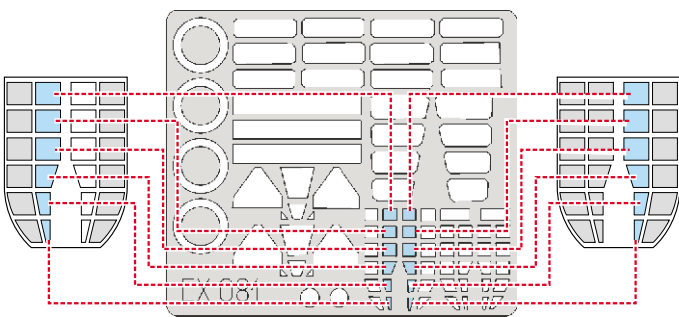
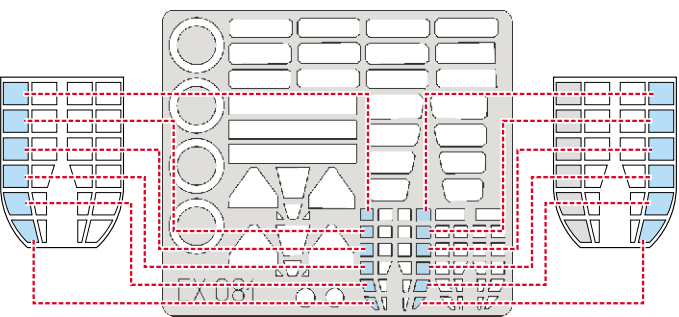
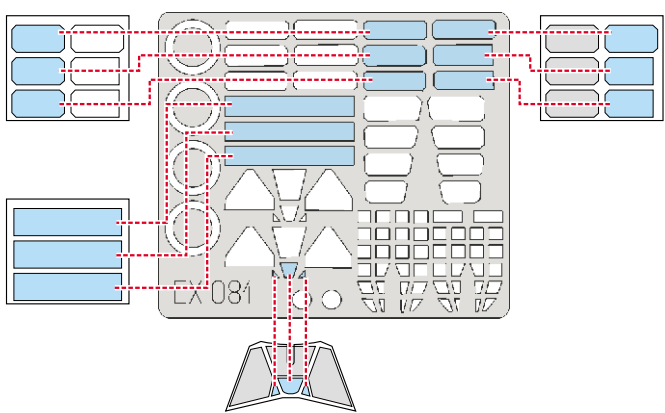
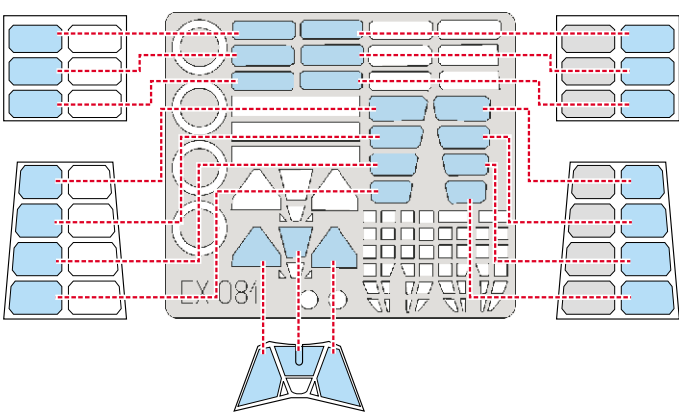
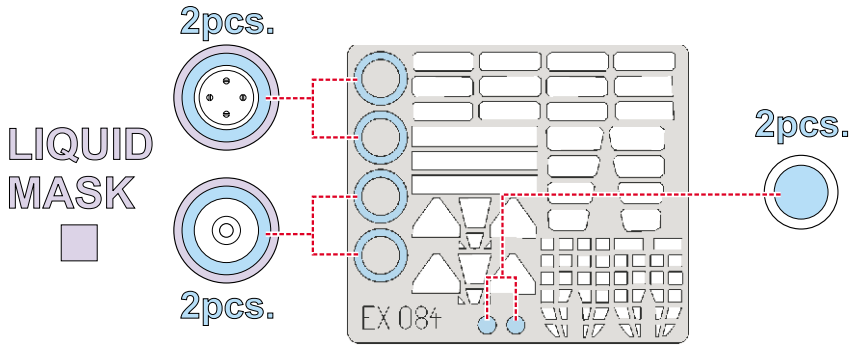
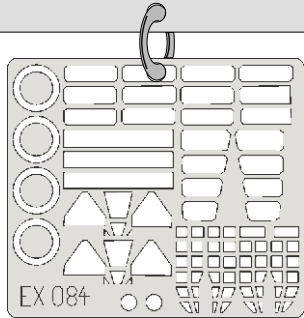


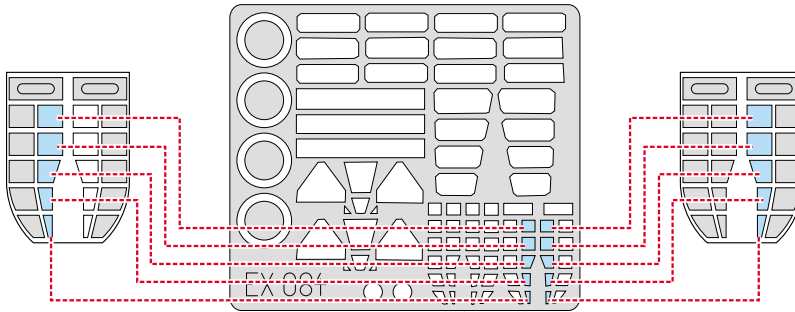
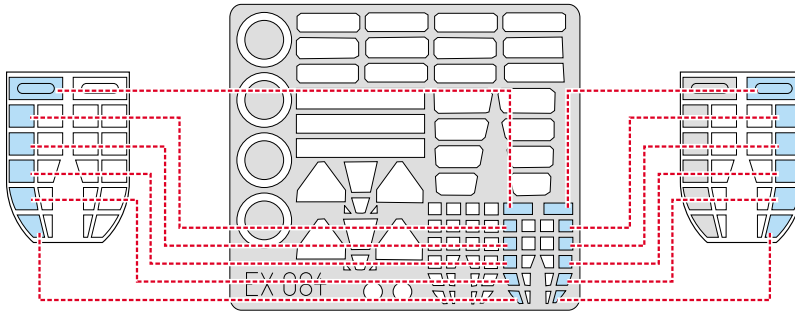
eduard
MASK

F2A Buffalo 1/48

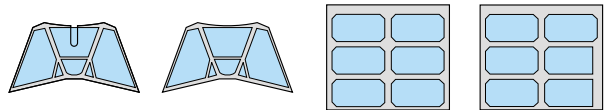
The die-cut mask for accurate canopy frame painting of the
Classic Airframes scale 1/48

EX 084

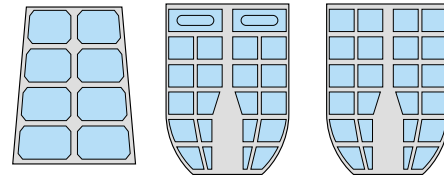




1.)  **INTERIOR COLOR**



2.)  **CAMOUFLAGE COLOR**



3.) **REMOVE MASK**

