

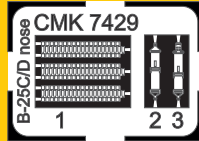
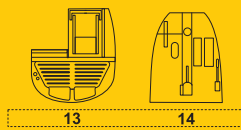
**7429 B-25C/D Nose Compartment
(Bomb Aimer's Station)**
1/72
set for Airfix kit



PUR - Polyurethane parts



PE - Photo-etched parts



© Special Hobby 2020

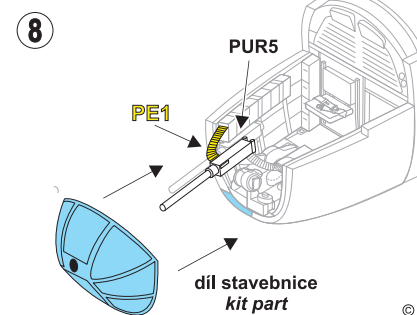
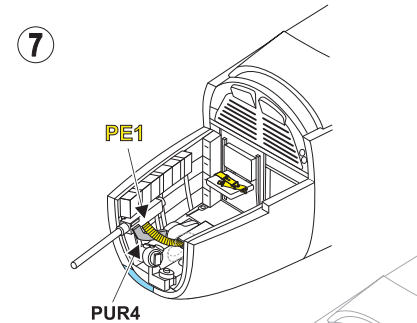
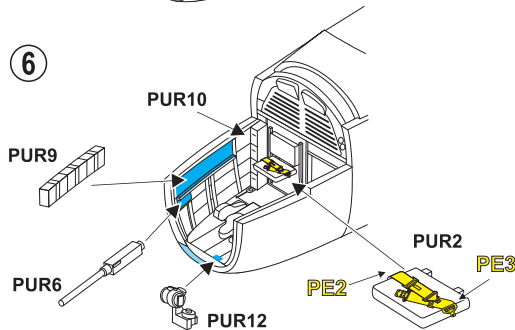
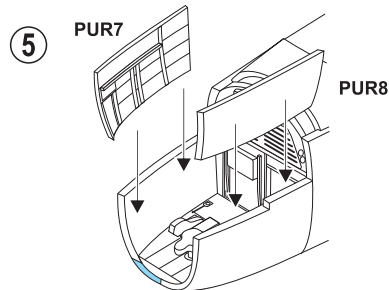
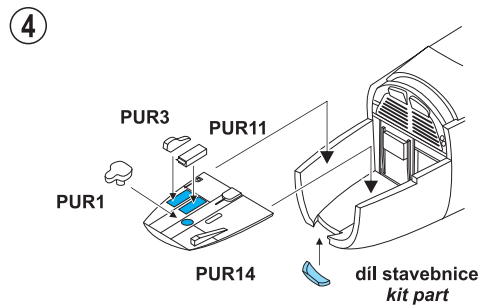
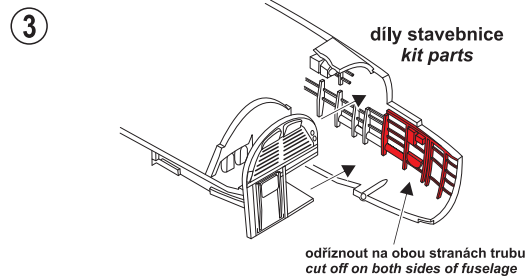
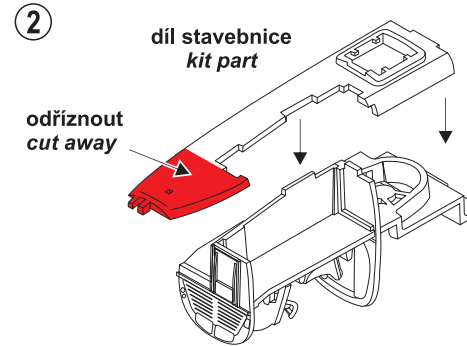
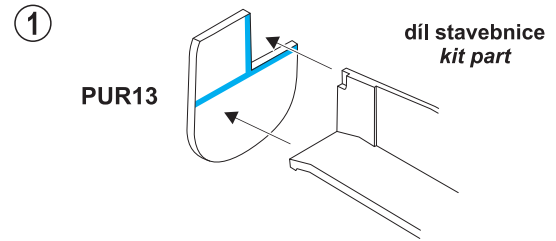
Díly ohnuté popř. pokroucené vlivem teplotních změn a stárnutí materiálu, mohou být narovnány do požadovaného tvaru pomocí proudu teplé vody nebo vzduchu (fén na vlasy). Různé drátky a tyčinky nejsou přiloženy. K lepení použijte kyanoakrylátové lepidlo. Kontaktní plochy doporučujeme před lepením odmastit.

Parts slightly distorted and bended owing to temperature changes or due to material ageing can be straightened to requested shape by hot water or hot air jet (hair dryer). Wires and rods not included. For best results gluing use cyanoacrylate glue. Contact areas ungrease is recommended before gluing

Visit our official website and e-shop at
www.cmkkits.com
www.facebook.com/specialhobby/
OTHER 1/72 SETS / OSTATNÍ SETY 1/72

- 7445 B-25C/D Dinghy, for Airfix kit
- 7439 Beaufighter TF Mk.X Dinghy Set
- 7438 Beaufighter TF Mk.X Main Undercarriage Bays Correction, for Airfix kit
- 7437 Beaufighter TF Mk.X Cockpit, for Airfix kit
- 7435 F4F-4 Wildcat Dinghy Set, for Airfix kit
- 7434 F4F-4 Wildcat Interior, for Airfix kit
- 7428 B-25C/D Pilots' Cockpit and Radio Compartment, for Airfix kit
- 7425 Hudson Mk.I-V cockpit
- 7416 Palouste Mk.101/102 – Jet Air Starter Trolley and Airborne Pod
- 7409 Ki-43 II/III Hayabusa Control Surface Set, for Special Hobby kits
- 7408 Ki-43-II/III Hayabusa Cockpit Set, for Special Hobby kit

Special Hobby, Mezilesí 718, CZ - Praha 9, 193 00,
e-mail: office@specialhobby.eu



Special Hobby, Mezilesí 718, CZ - Praha 9, 193 00, e-mail: office@specialhobby.eu

© CMK 2020