

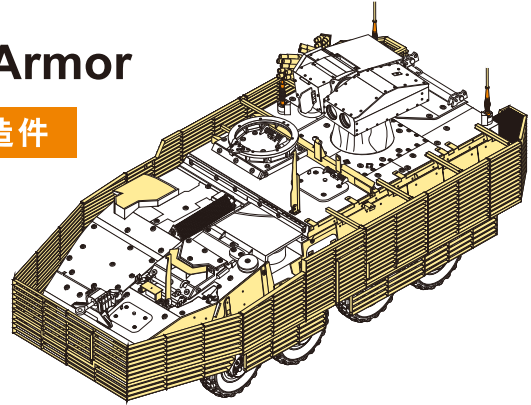
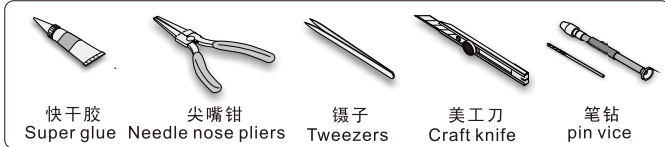
1/35 MILITARY MINIATURE VEHICLE UPGRADE SERIES PE35421










# Modern US Stryker M1134 w/Slat Armor


## 现代美军斯特瑞克 M1134 装甲车以及栅栏装甲改造件

[For AFV CLUB 35134]

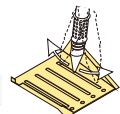
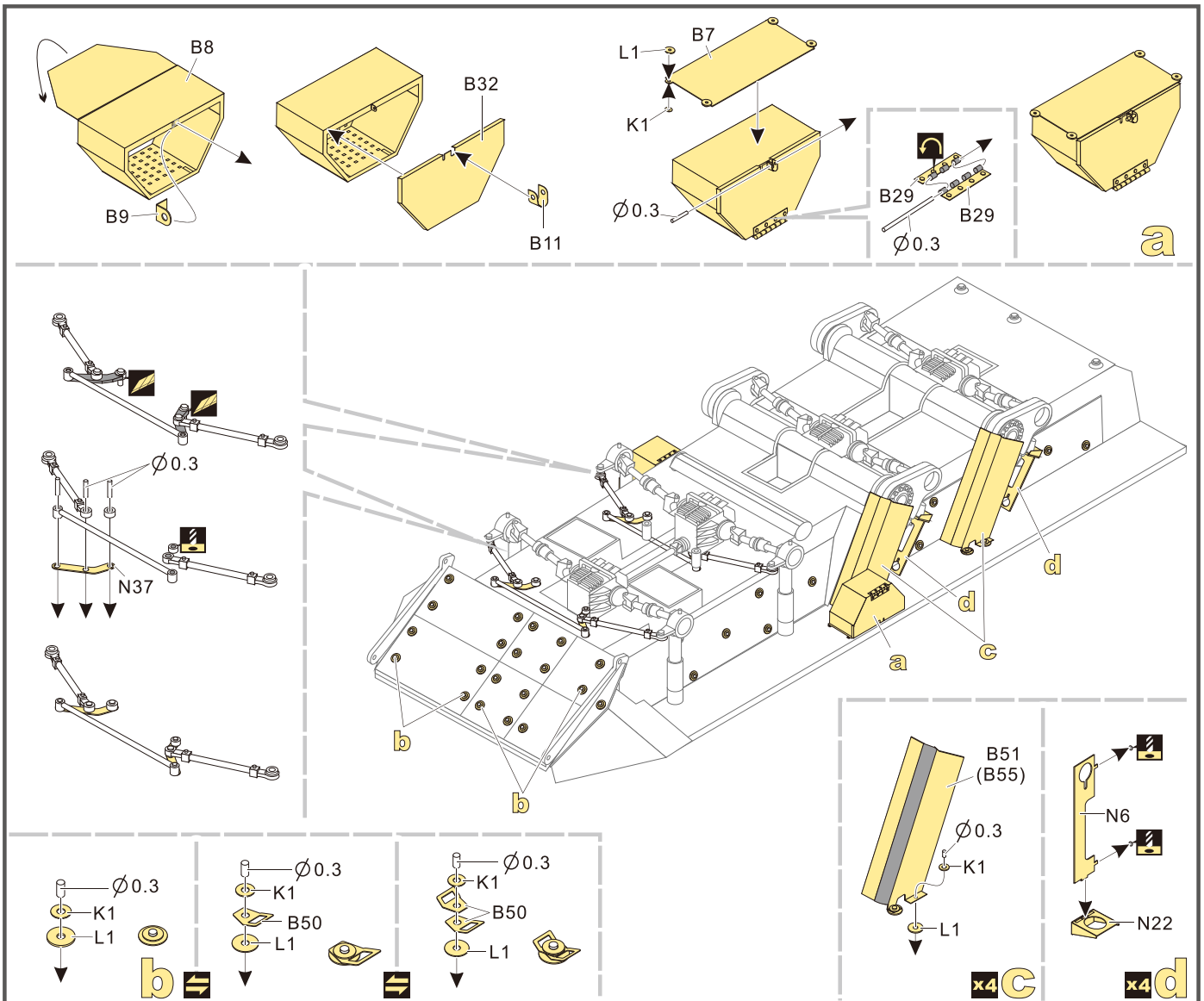
### 推荐使用工具 RECOMMENDED TOOLS



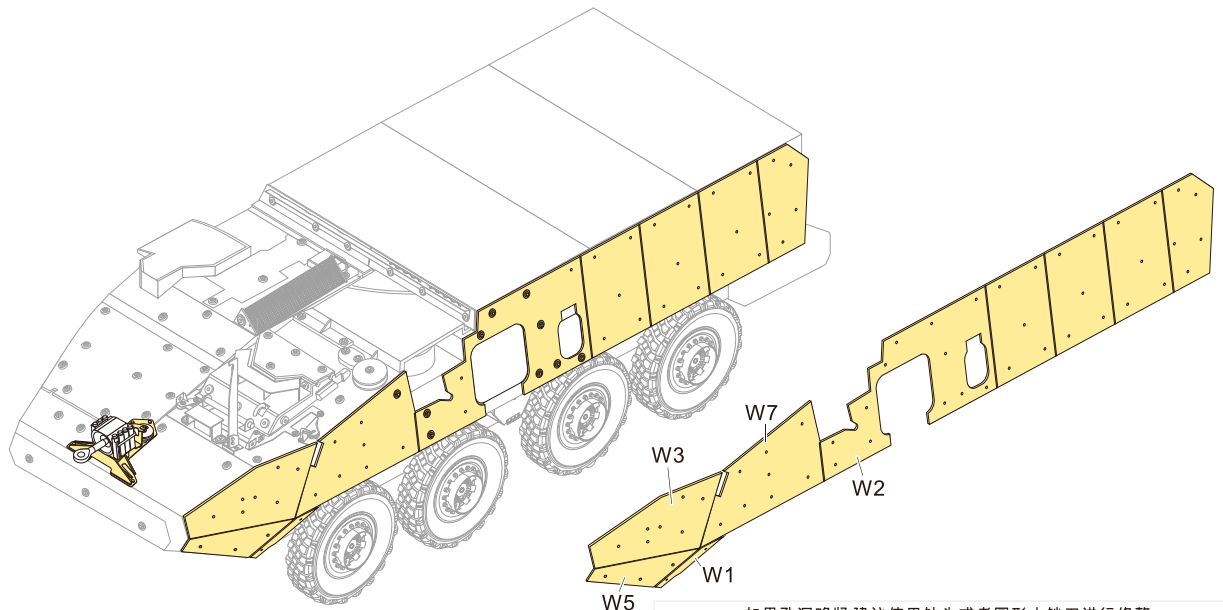
-   
 安装  
install
-   
 折叠  
bend
- A1**  
 改造件零件编号  
PE/resin part number
- B12**  
 原零件编号  
kit part number
- C22**  
 被替换的原零件编号  
replaced kit part number
-   
 另一侧相同制作  
repeat on opposite side
-   
 切除  
remove
-   
 打磨  
grind off
-   
 弧度卷曲  
radial bending
- x2**  
 制作若干组  
multiple assembly
-   
 选择安装  
alternative
-   
 钻孔  
drill
-   
 用胶棒制作  
make from plastic rod

  
 用尖端在凹槽处冲压  
use penpoint to press on the dent

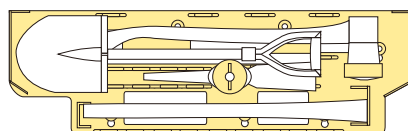
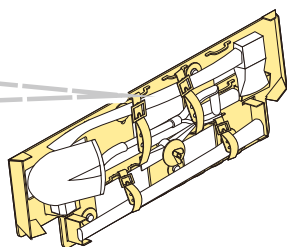
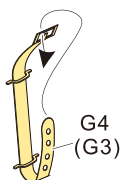
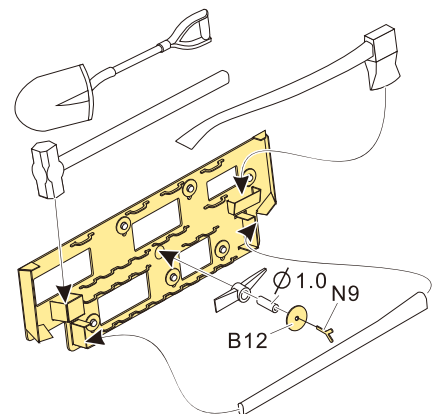
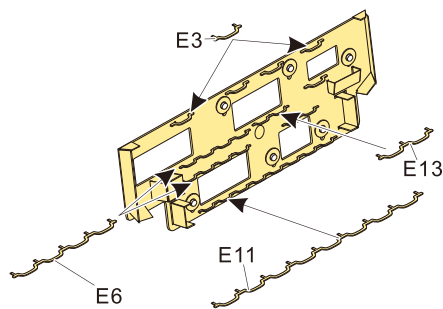
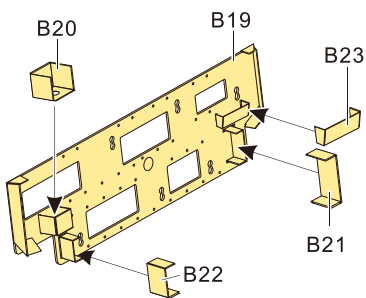
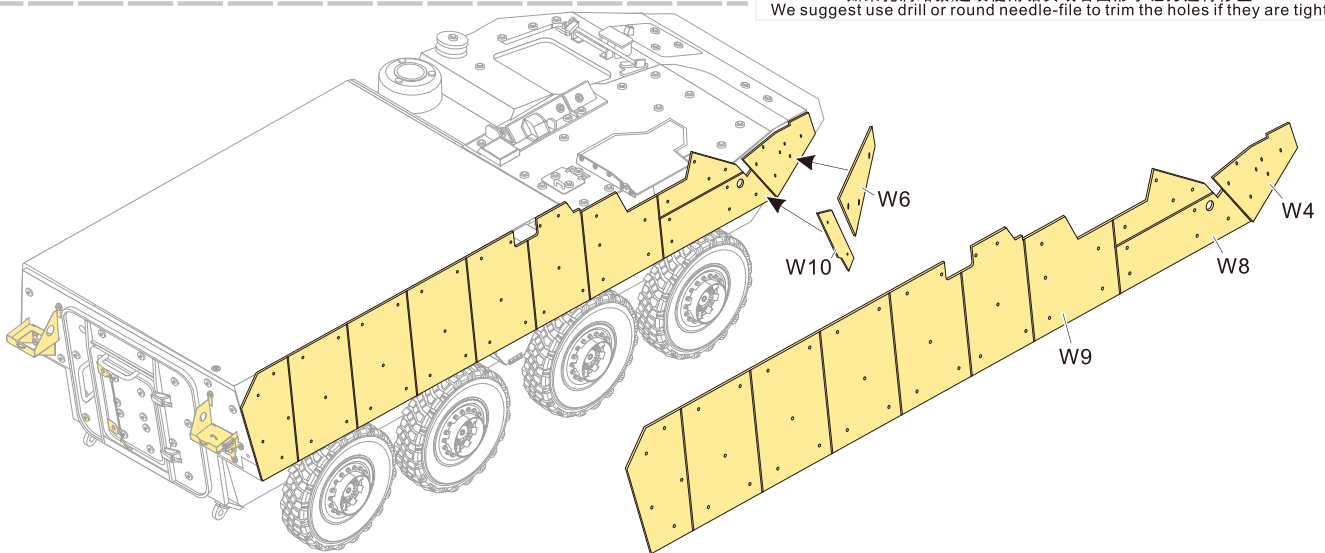
蚀刻片零件内朝向上  
Put the part upside down  
 用笔尖在凹槽处刺  
Use penpoint to press on the dent

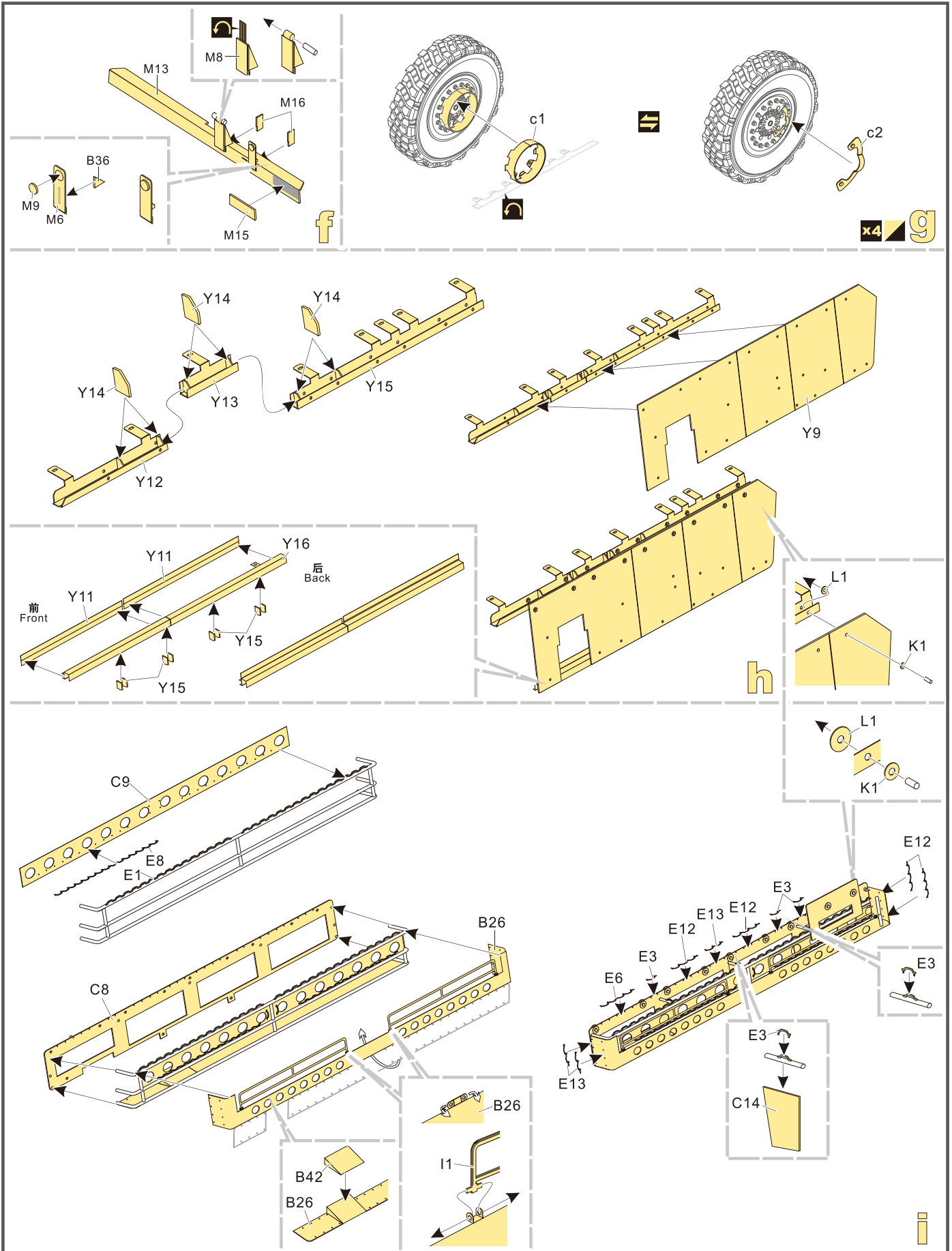
1/35 MILITARY MINIATURE VEHICLE UPGRADE SERIES PE35421



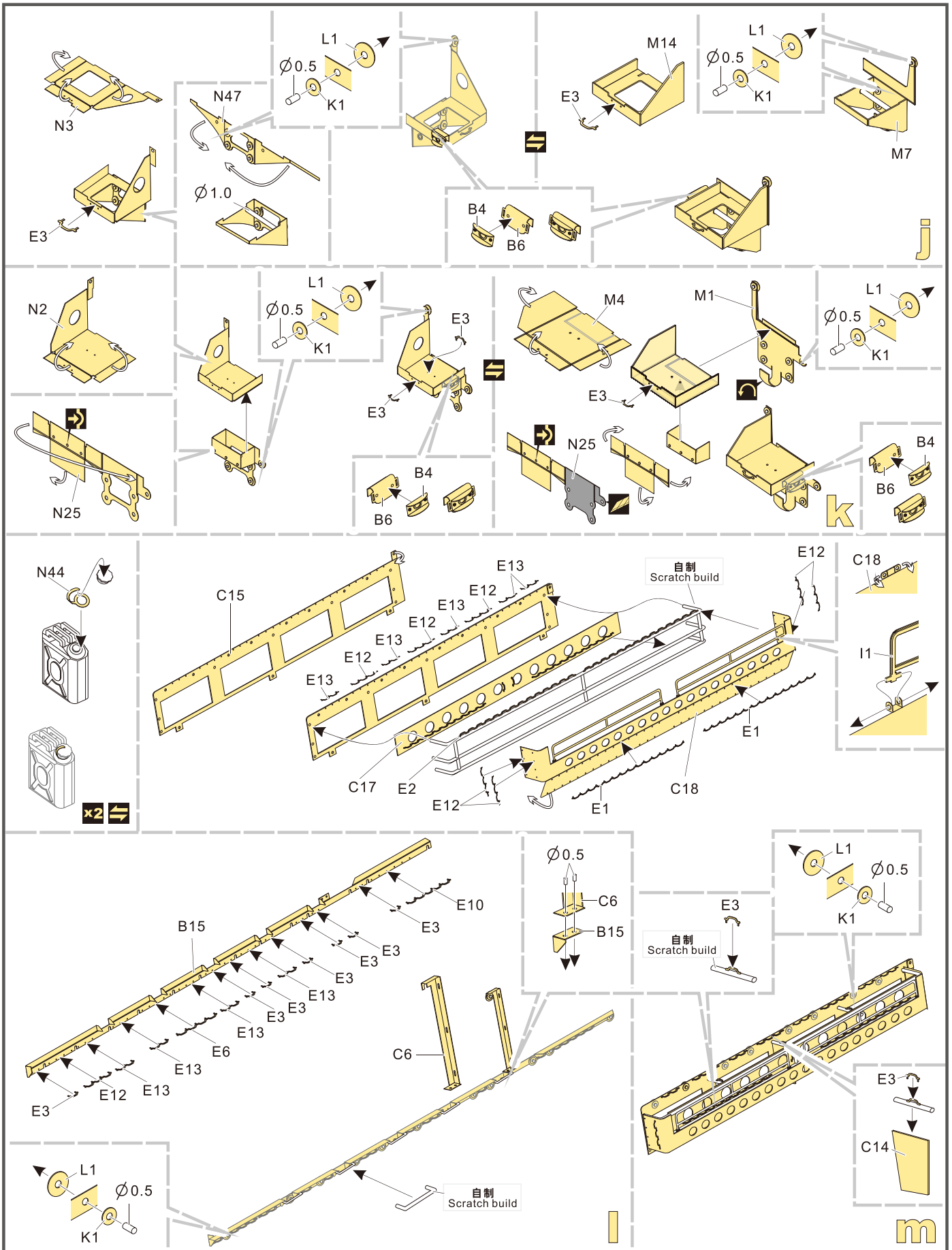
如果孔洞略紧,建议使用钻头或者圆形小锉刀进行修整  
We suggest use drill or round needle-file to trim the holes if they are tight



1/35 MILITARY MINIATURE VEHICLE UPGRADE SERIES PE35421



1/35 MILITARY MINIATURE VEHICLE UPGRADE SERIES PE35421



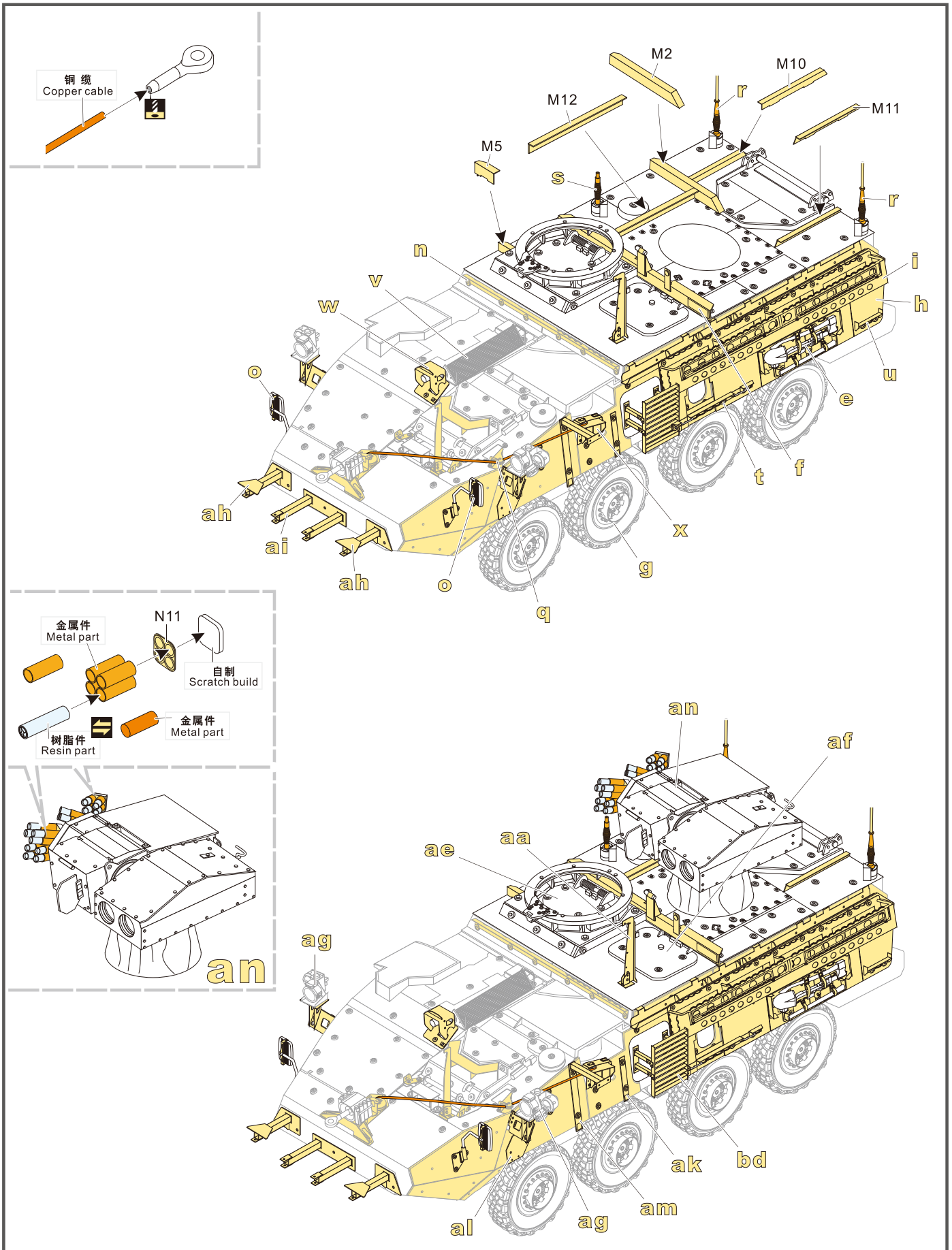


1/35 MILITARY MINIATURE VEHICLE UPGRADE SERIES PE35421

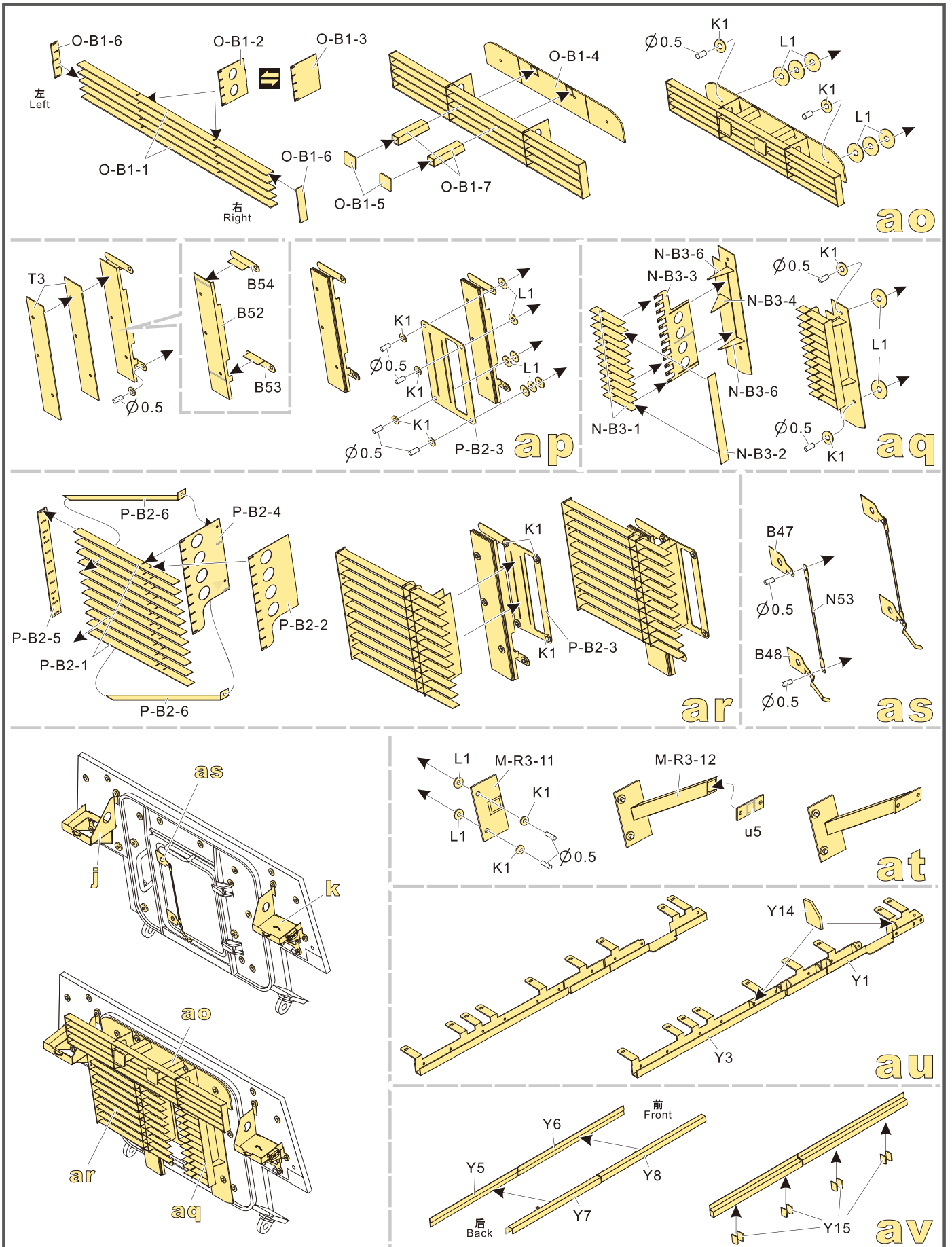
<p>n</p>	<p>o</p>	<p>p</p>
<p>q</p>	<p>x2 r</p>	<p>s</p>
<p>t</p>	<p>u</p>	<p>v</p>
<p>w</p>	<p>x</p>	<p>y</p>
<p>z</p>	<p>aa</p>	<p>ab</p>



1/35 MILITARY MINIATURE VEHICLE UPGRADE SERIES PE35421

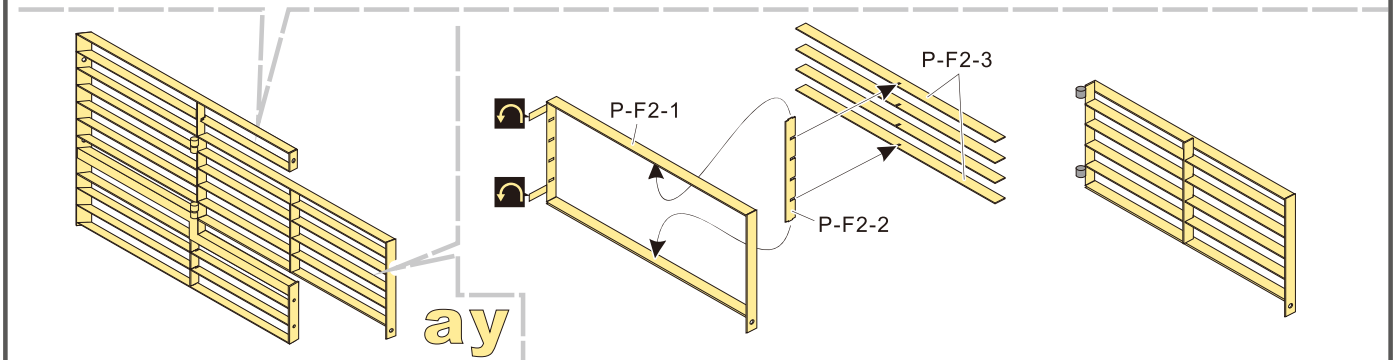
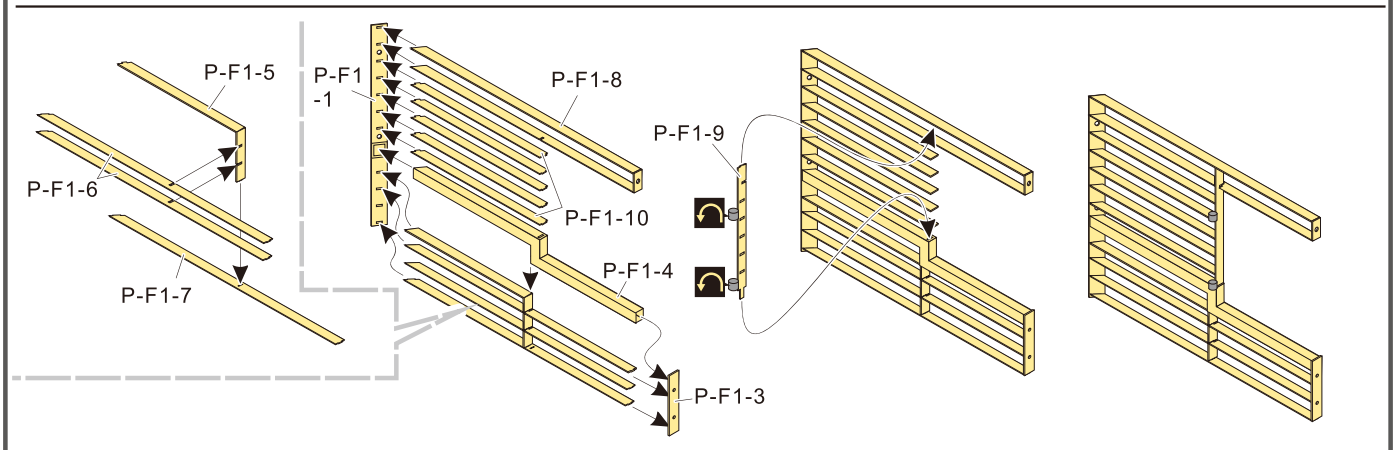
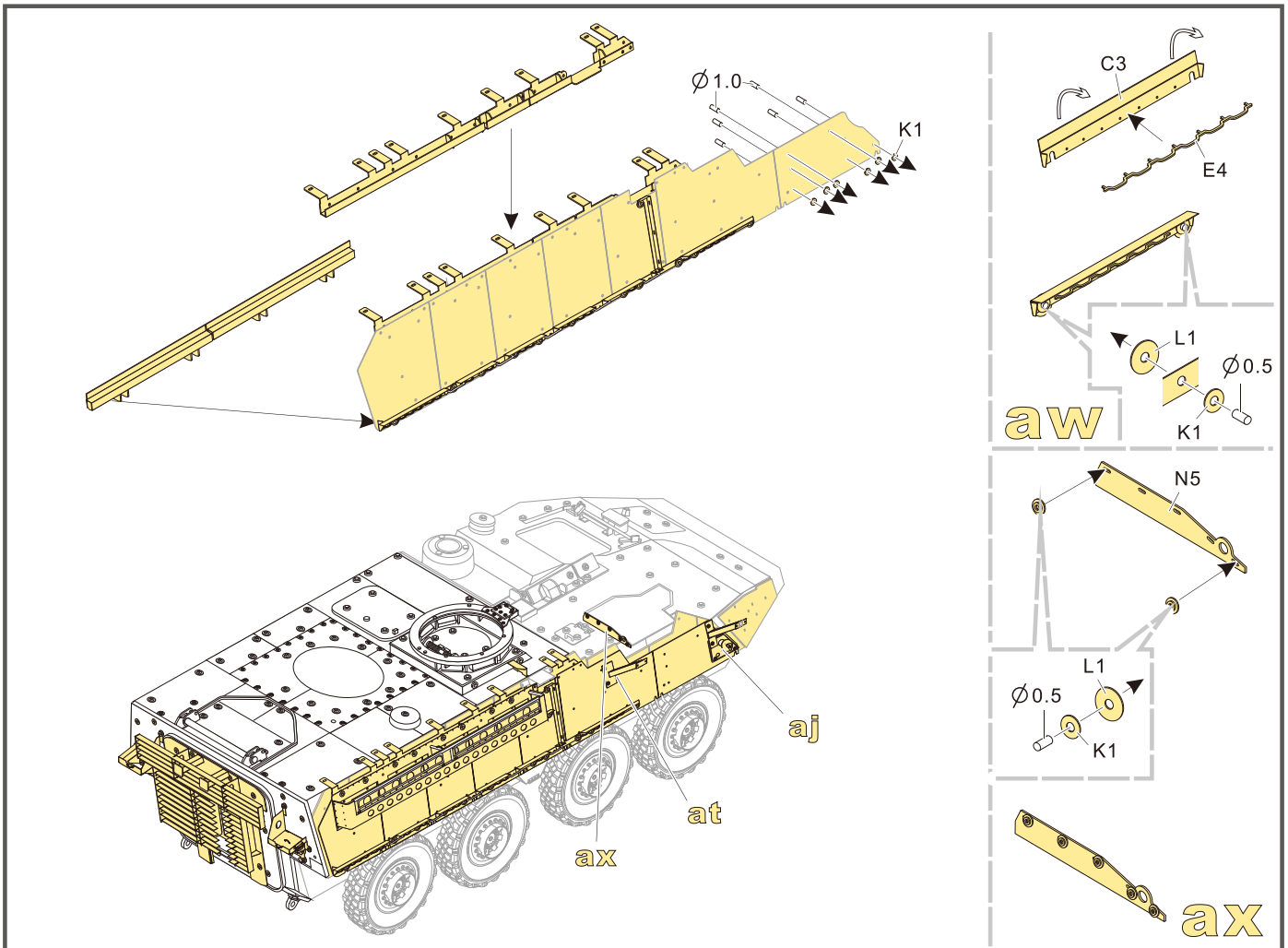


1/35 MILITARY MINIATURE VEHICLE UPGRADE SERIES PE35421

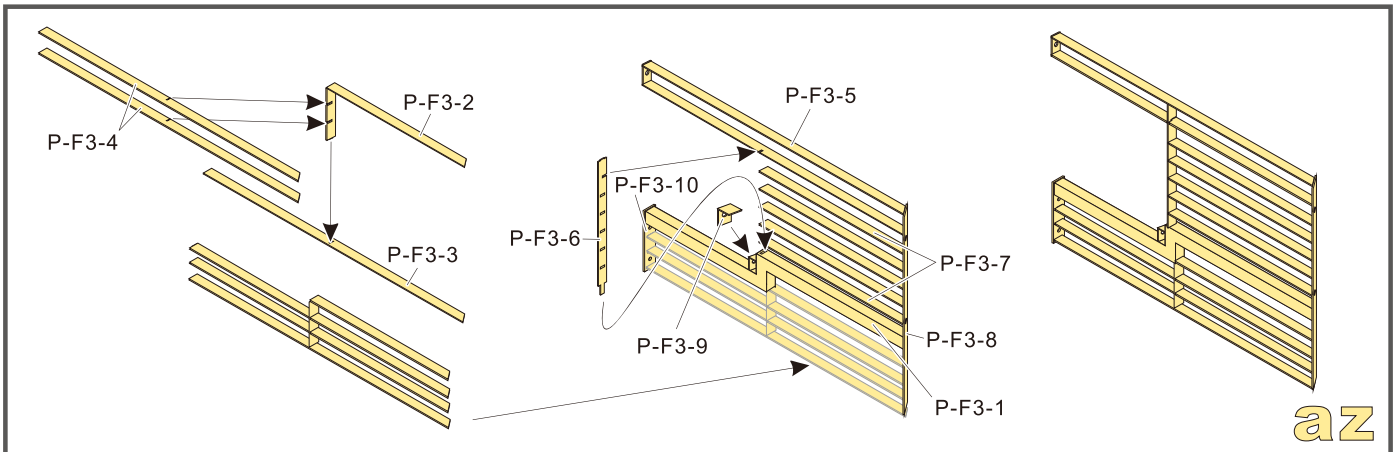




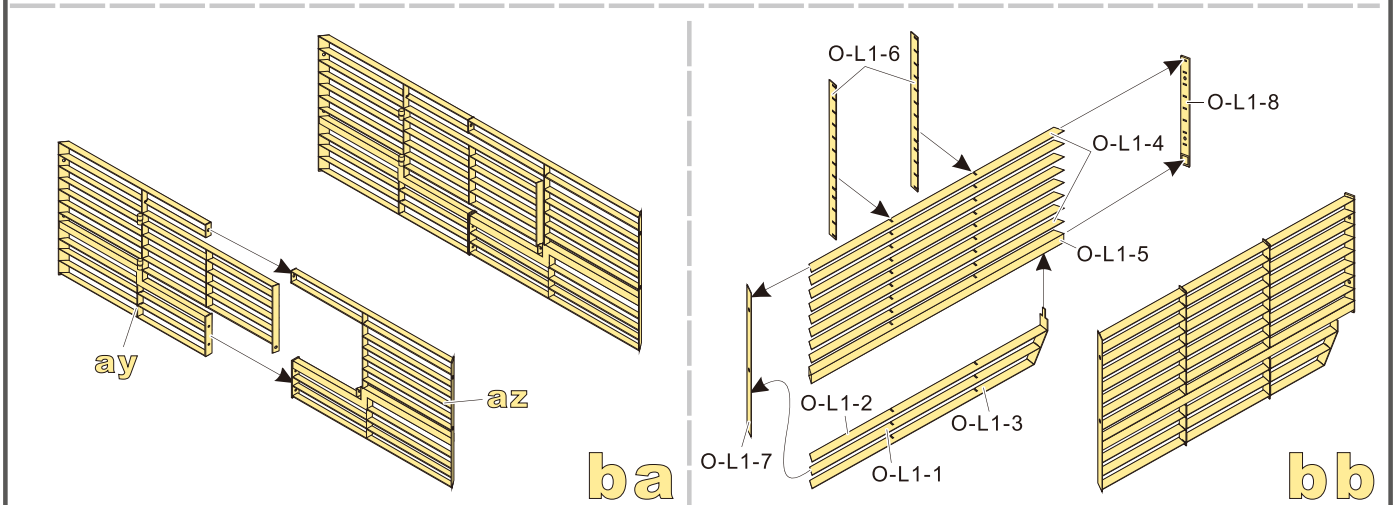
1/35 MILITARY MINIATURE VEHICLE UPGRADE SERIES PE35421



1/35 MILITARY MINIATURE VEHICLE UPGRADE SERIES PE35421

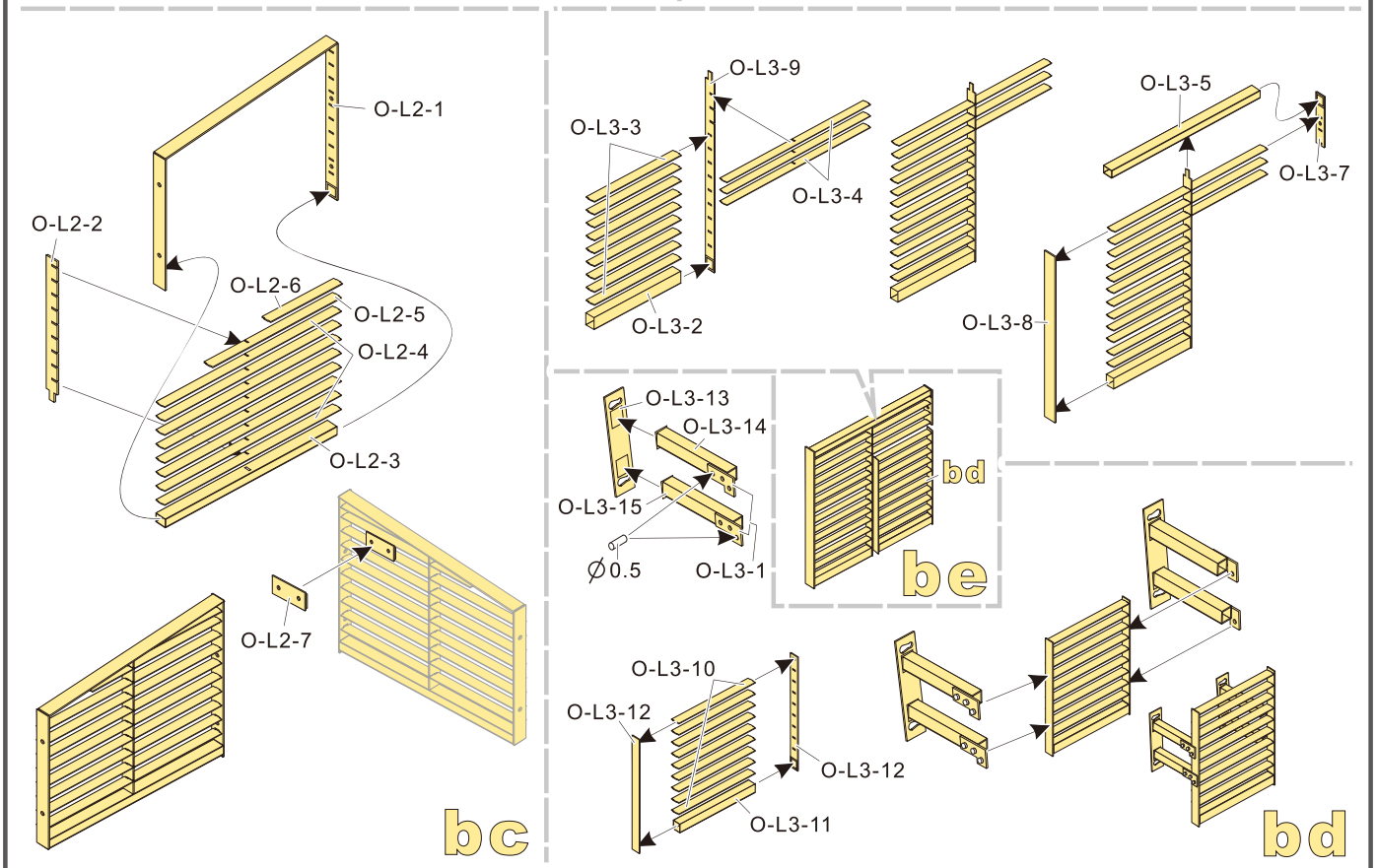


**az**



**ba**

**bb**



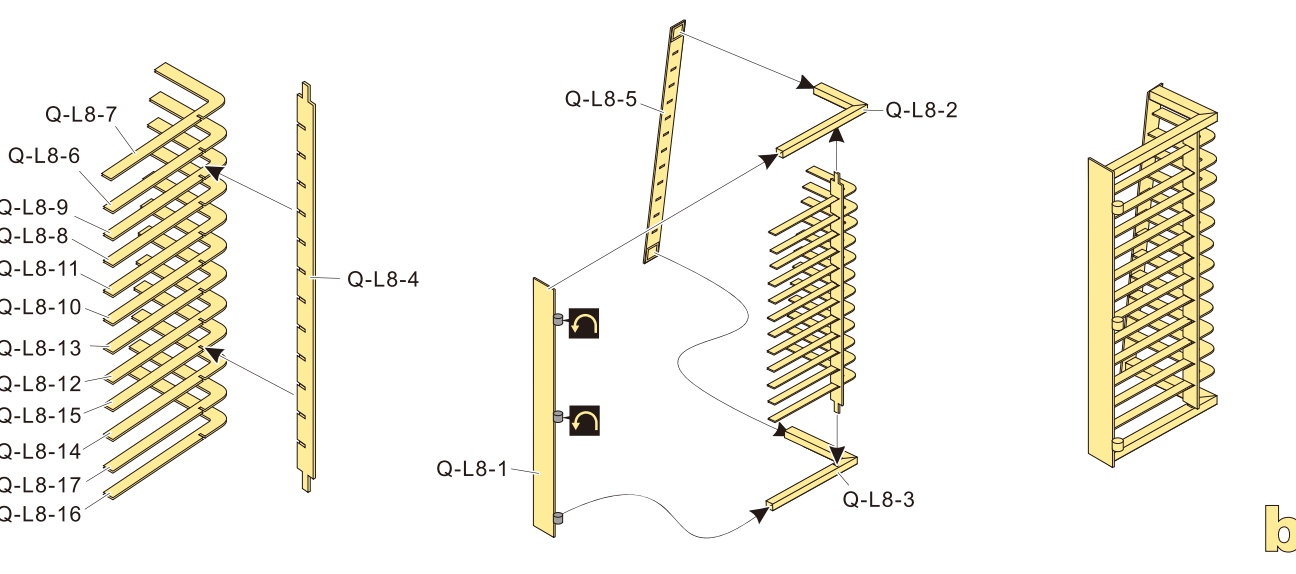
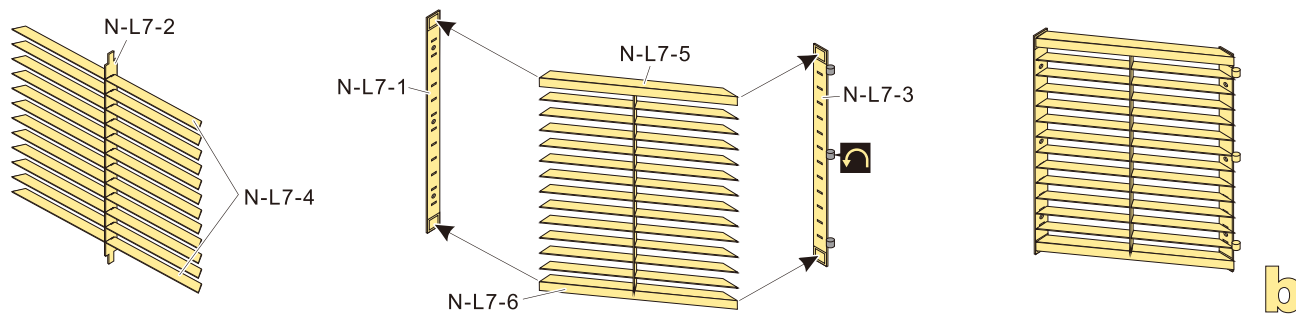
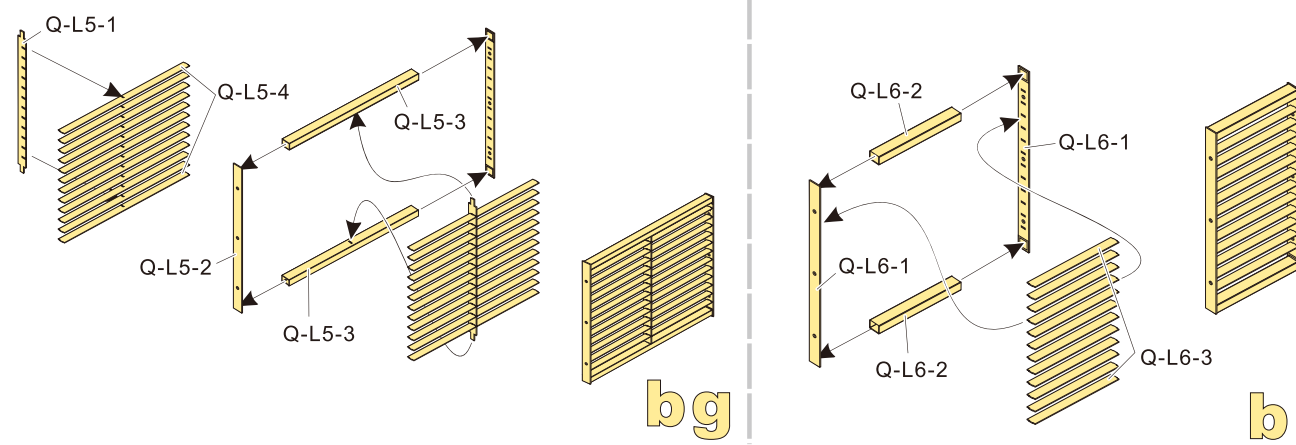
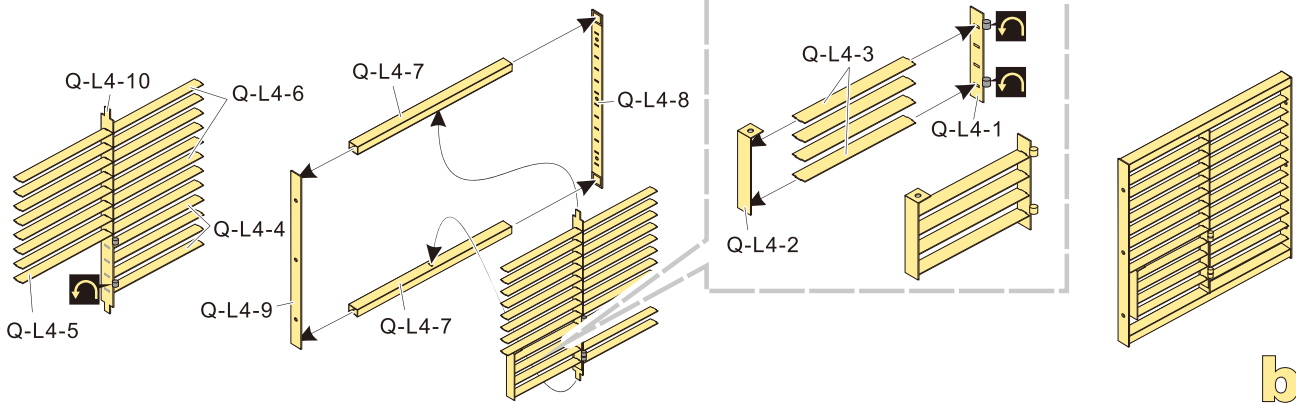
**bc**

**bd**

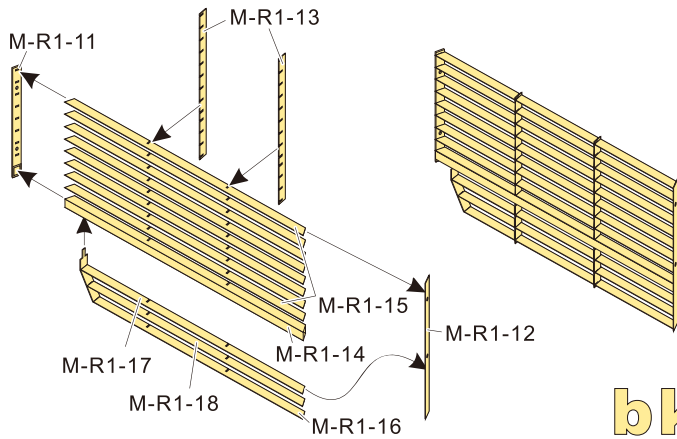
**be**

**bd**

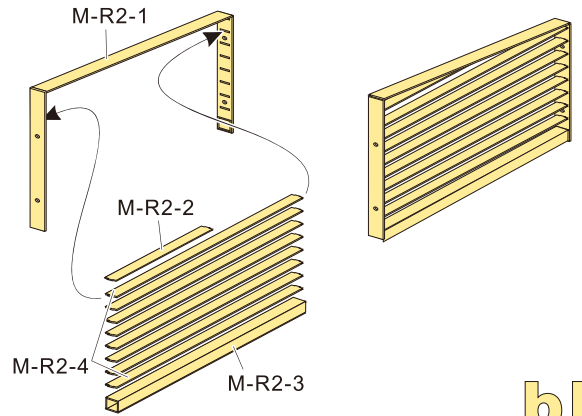
1/35 MILITARY MINIATURE VEHICLE UPGRADE SERIES PE35421



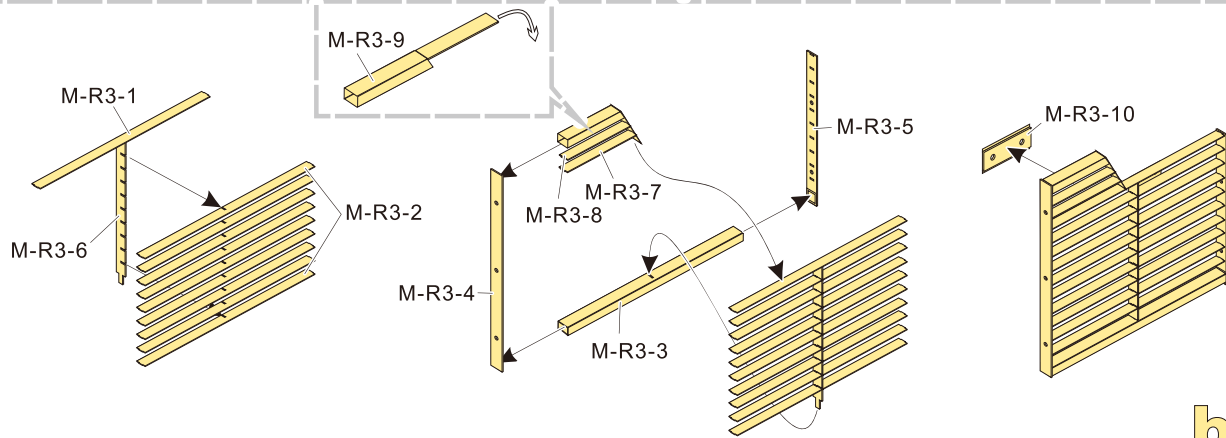
1/35 MILITARY MINIATURE VEHICLE UPGRADE SERIES PE35421



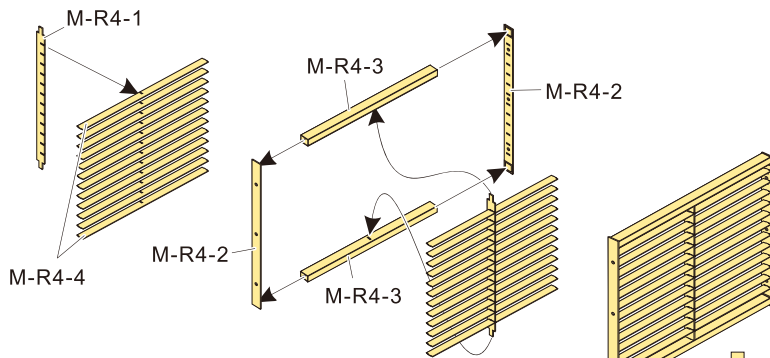
**bk**



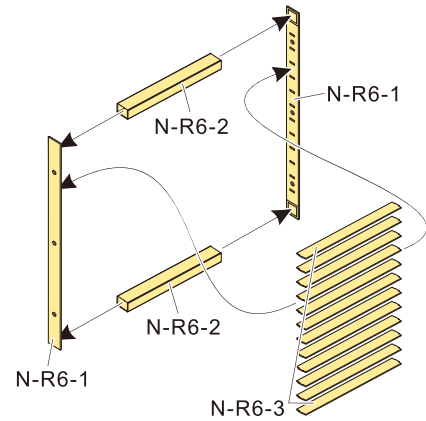
**bl**



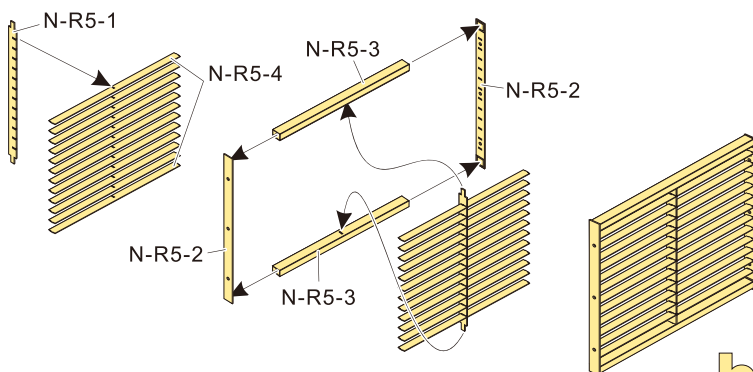
**bm**



**bn**



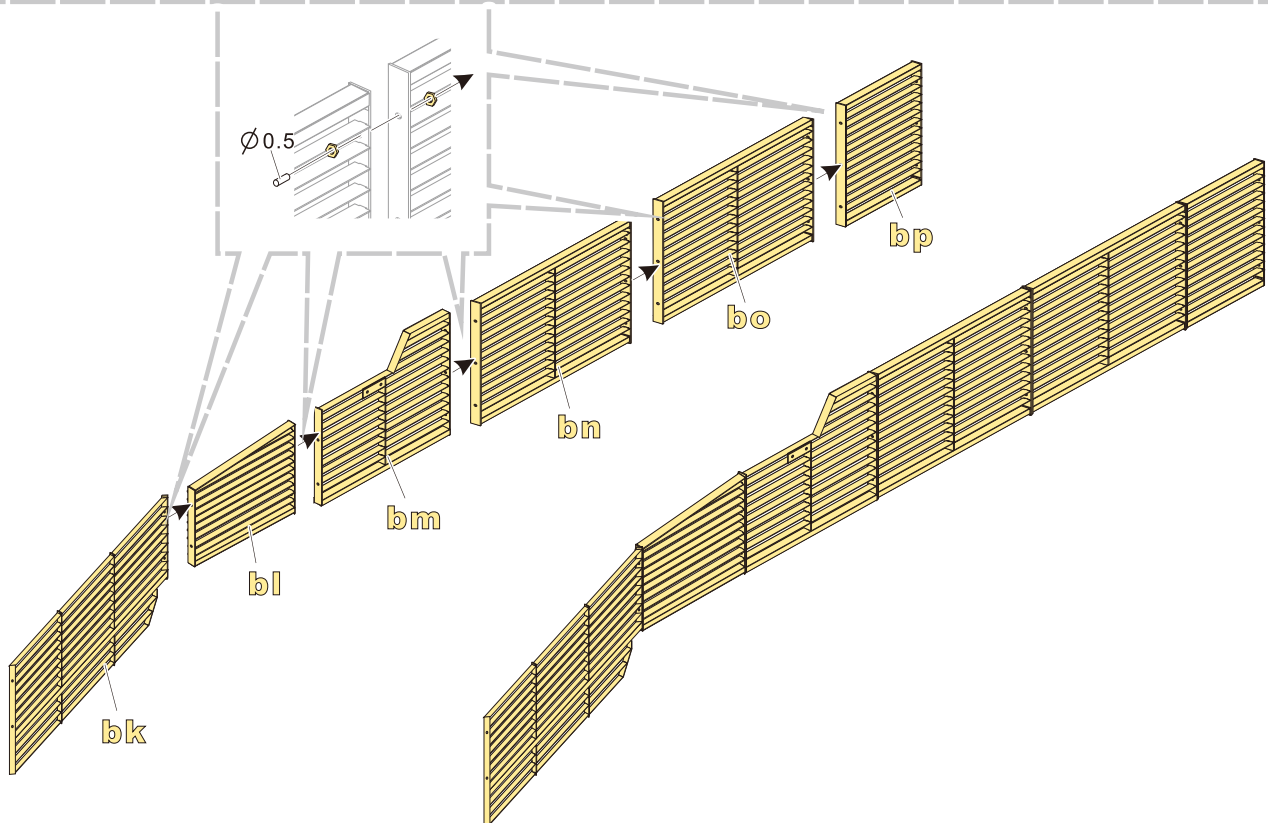
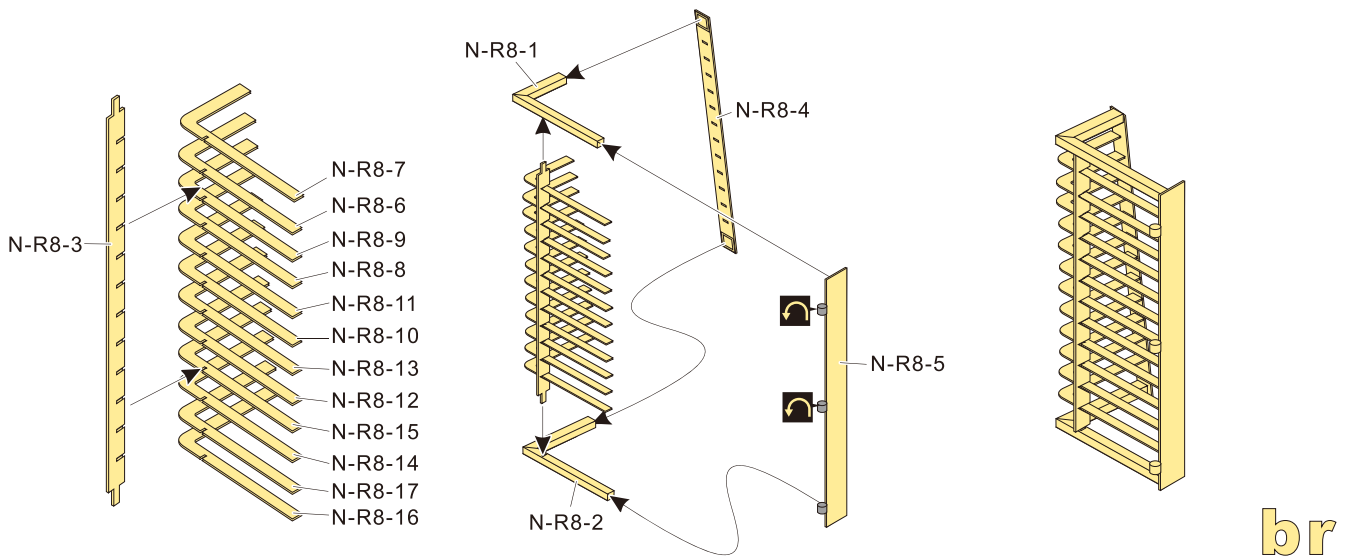
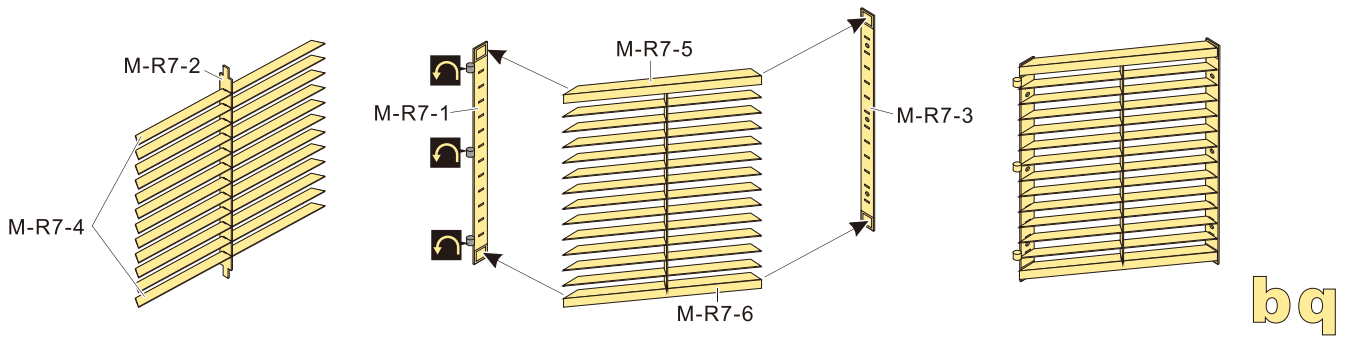
**bp**



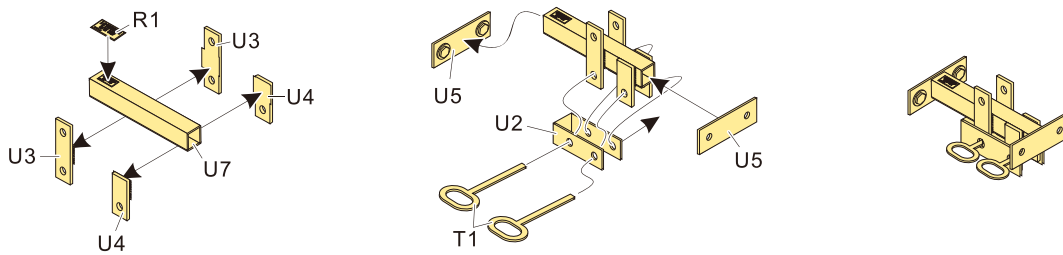
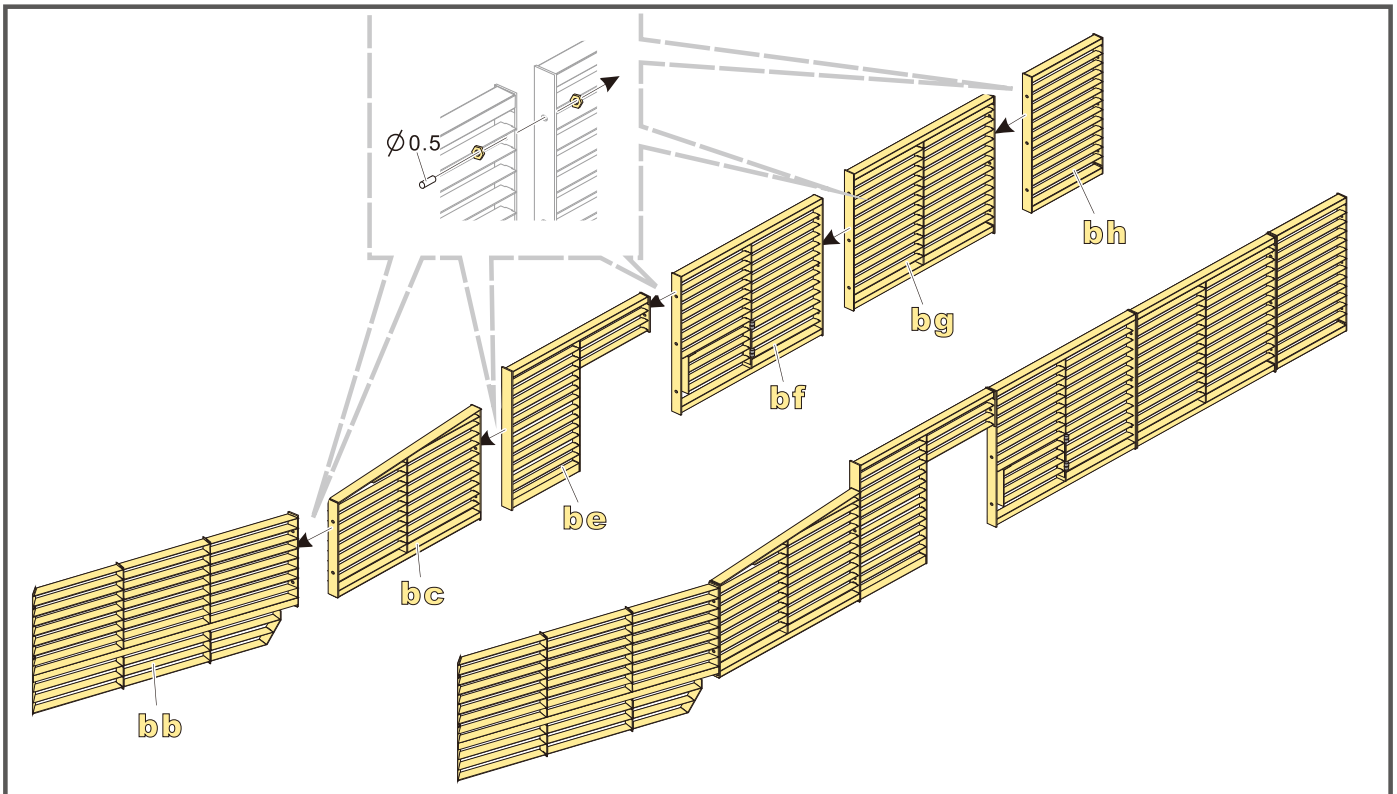
**bo**



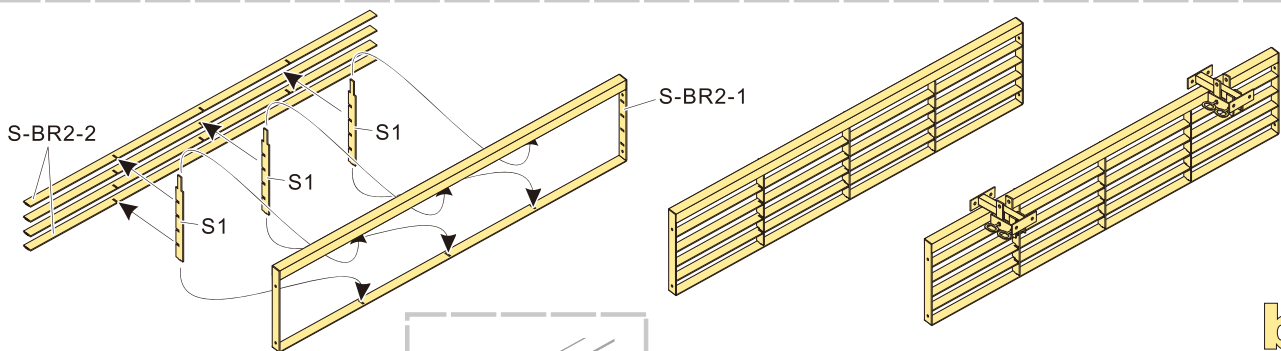
1/35 MILITARY MINIATURE VEHICLE UPGRADE SERIES PE35421



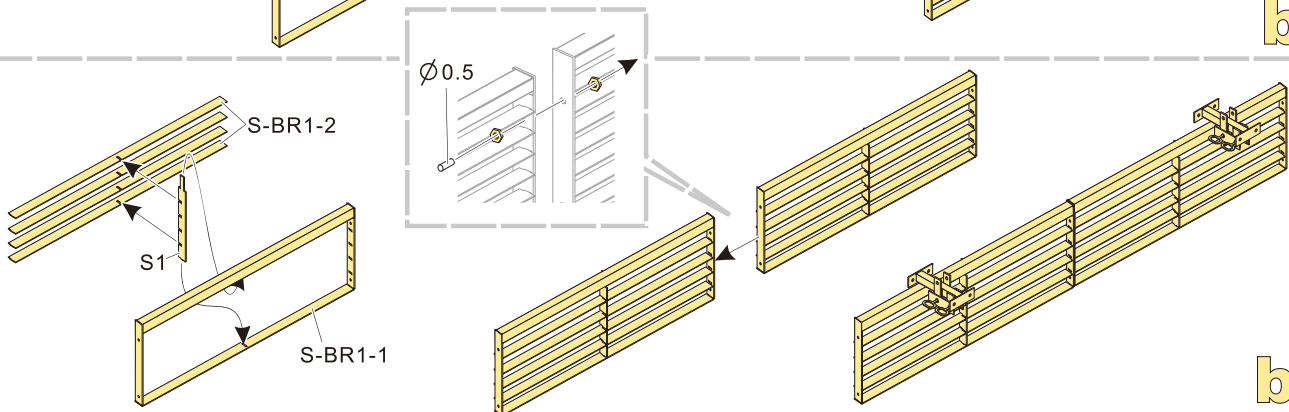
1/35 MILITARY MINIATURE VEHICLE UPGRADE SERIES PE35421



**bs**

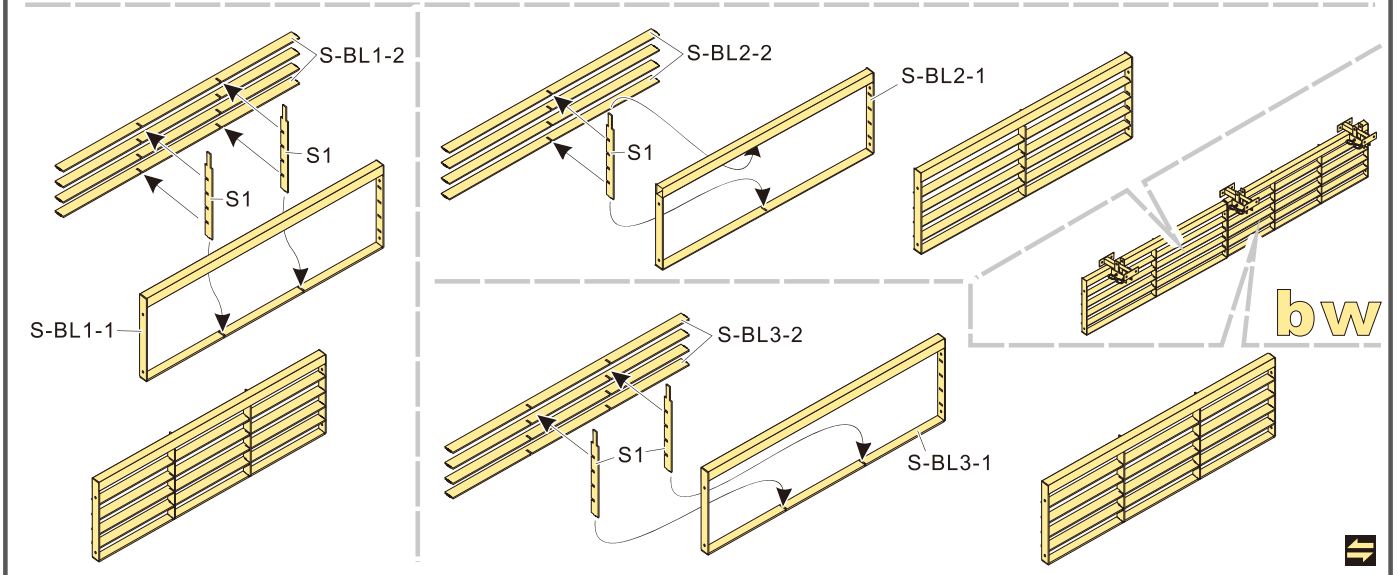
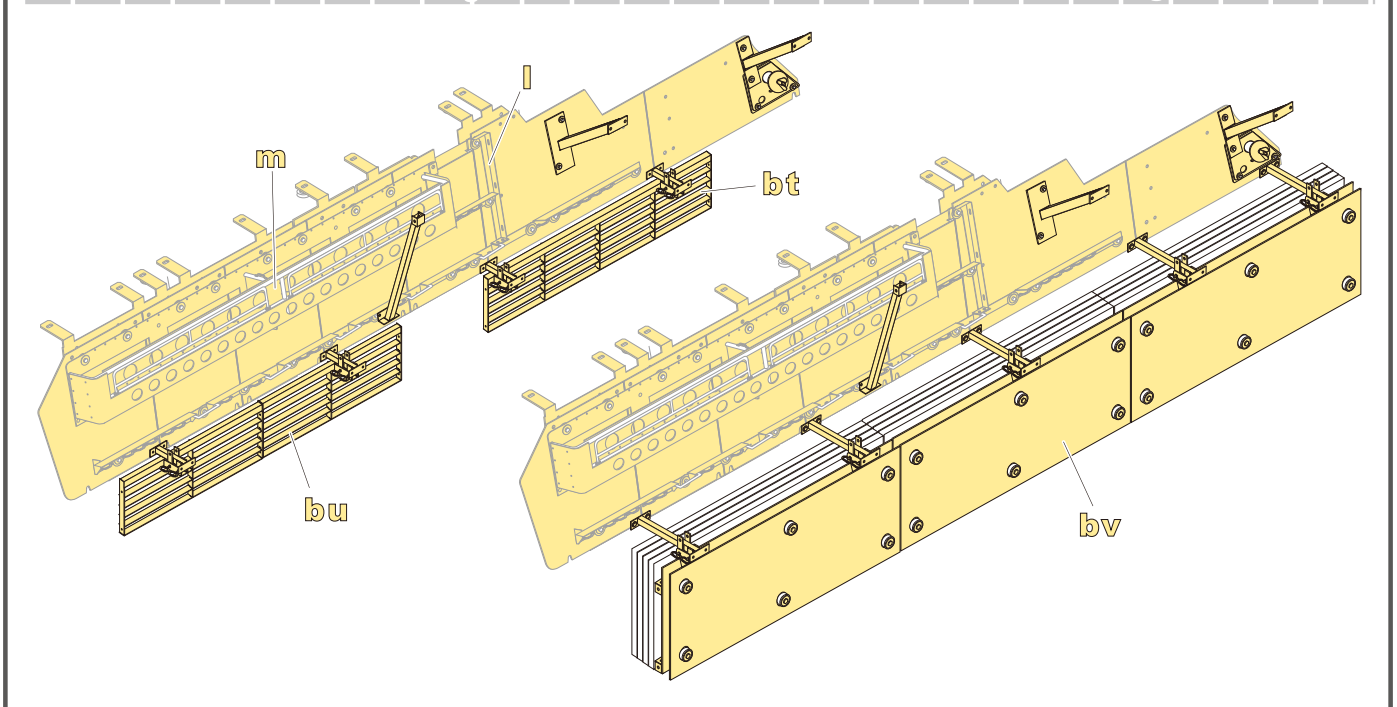
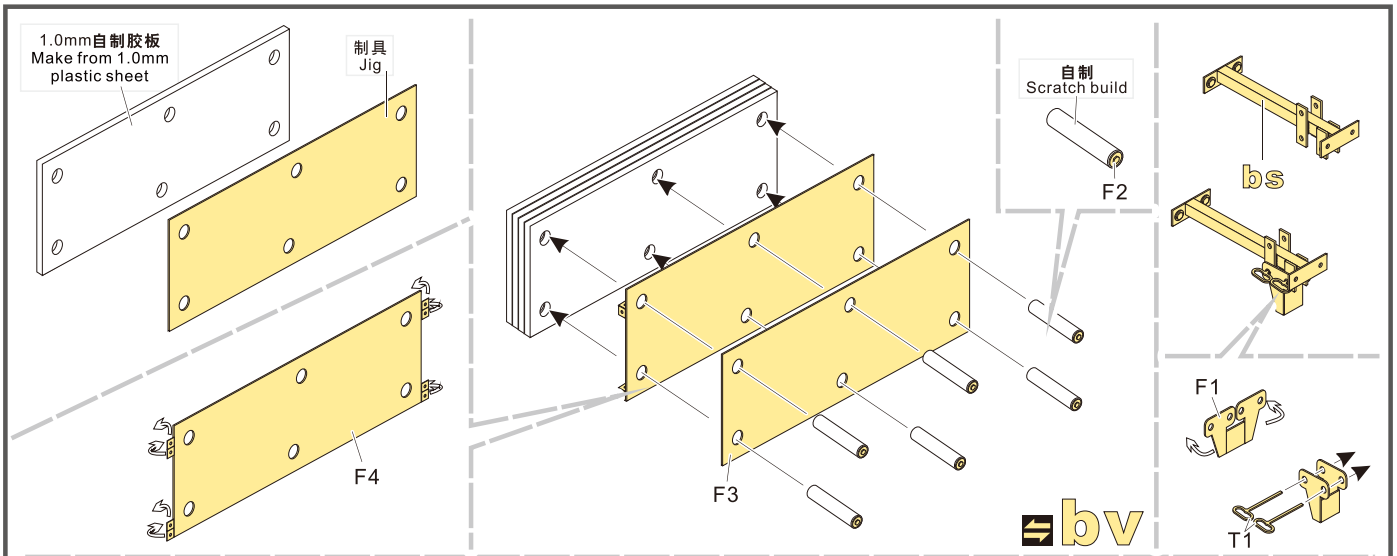


**bt**

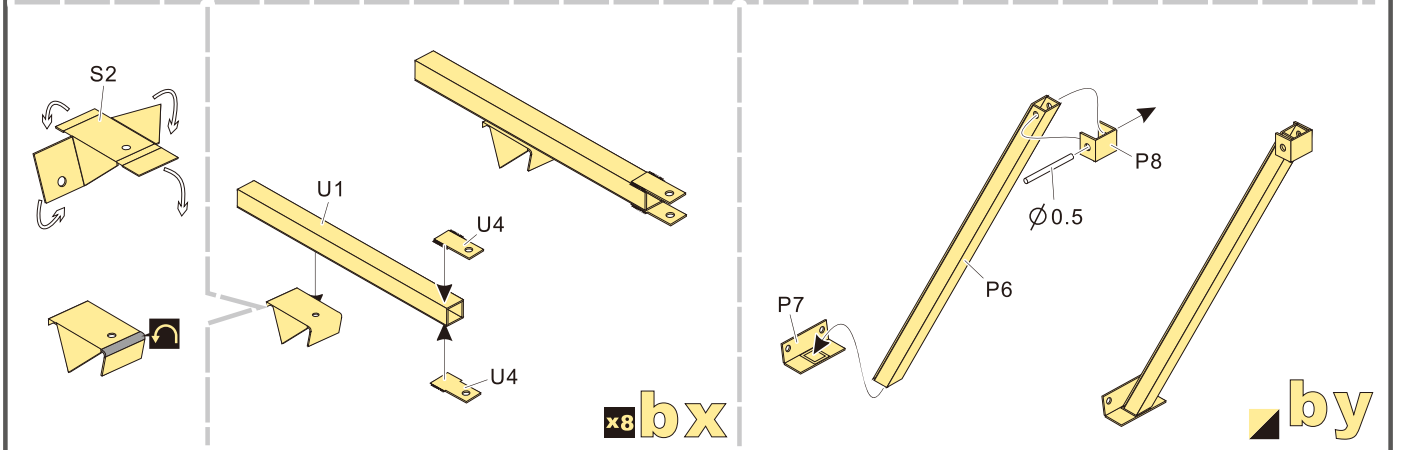
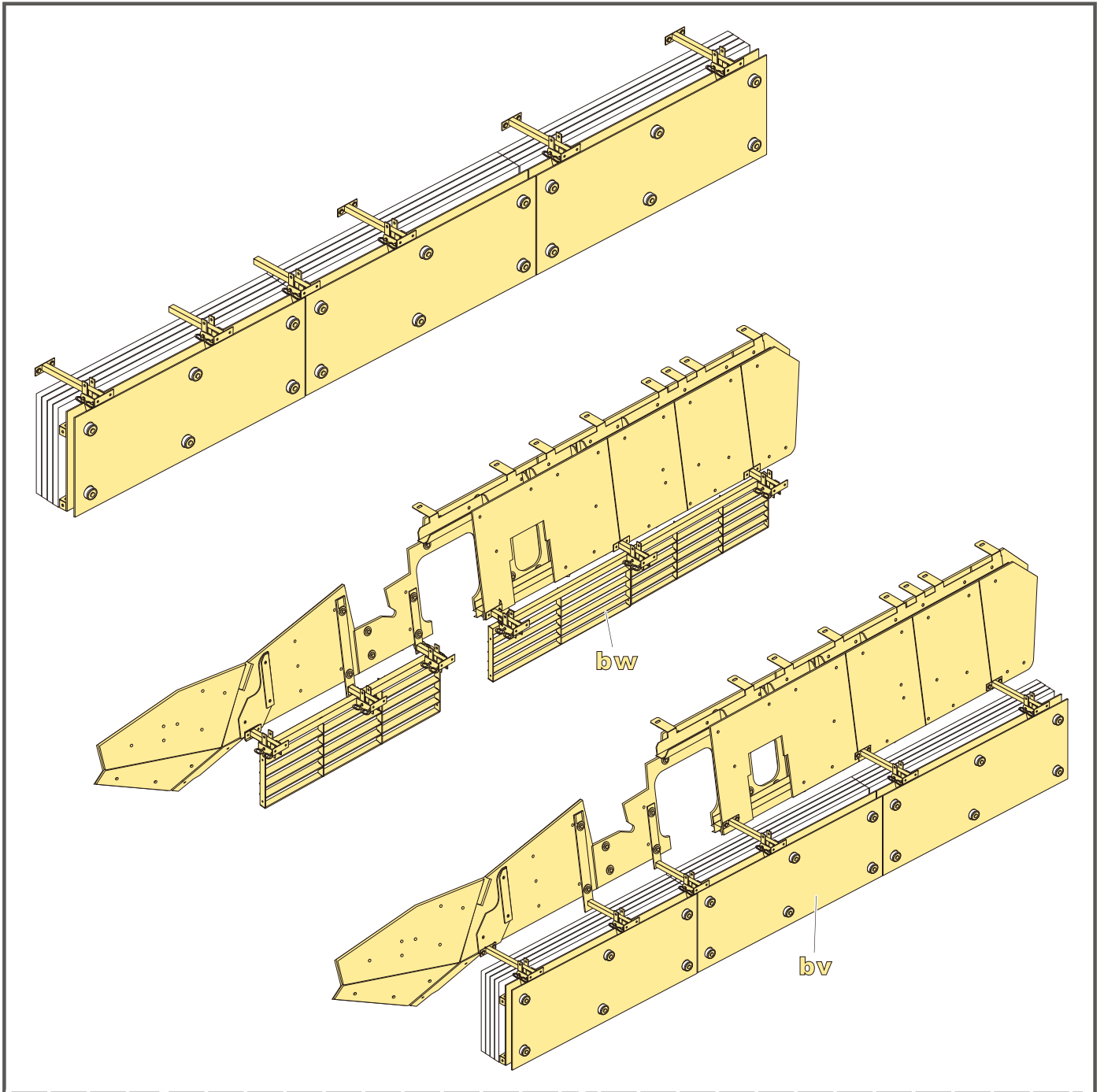


**bu**

1/35 MILITARY MINIATURE VEHICLE UPGRADE SERIES PE35421

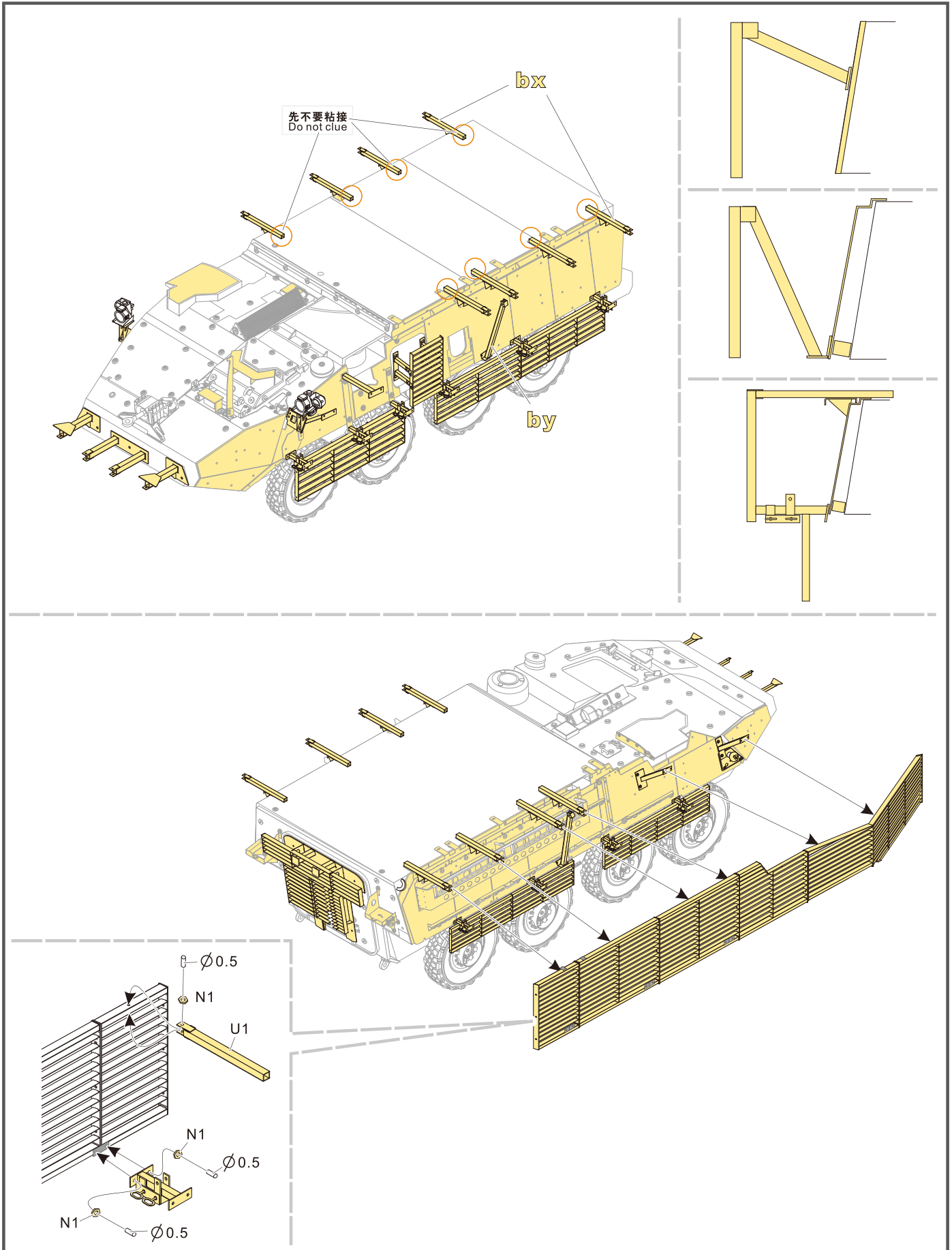


1/35 MILITARY MINIATURE VEHICLE UPGRADE SERIES PE35421

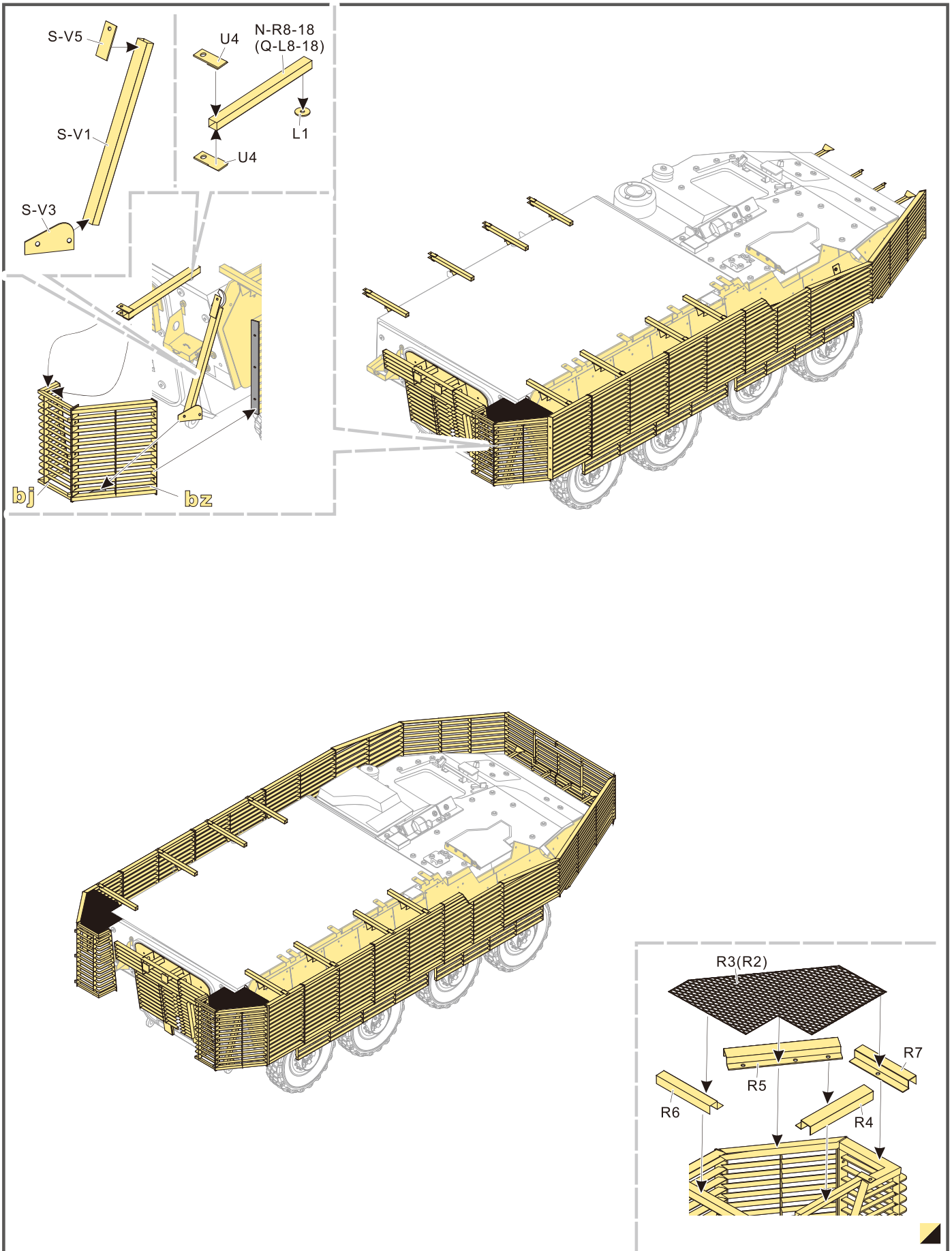




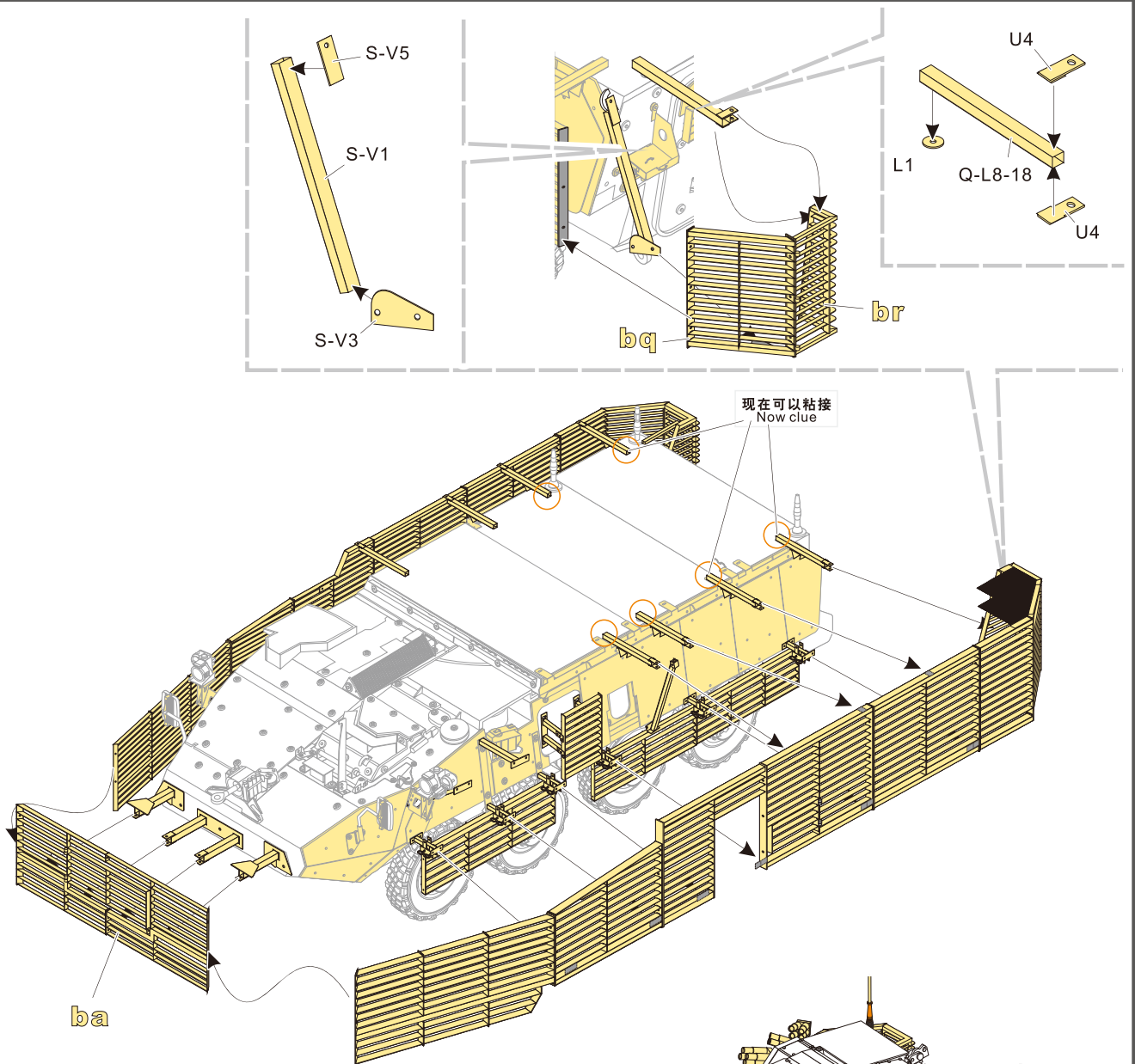
1/35 MILITARY MINIATURE VEHICLE UPGRADE SERIES PE35421



1/35 MILITARY MINIATURE VEHICLE UPGRADE SERIES PE35421



1/35 MILITARY MINIATURE VEHICLE UPGRADE SERIES PE35421



**VOYAGERMODEL®** 无惧不至 极尽享受  
The Best Upgrade Solution

Recommended item	
PEA 095	Modern US Stryker Suspension cover
PEA 096	Modern US Stryker OVM and water/fuel can
PEA 097	Fastening bolts for Stryker
PEA 100	Modern USMC Stryker M1126 Slat Armor
PEA 116	Modern USMC Stryker M1126 Space Armour
PEA 255	Modern US Stryker M1134 blast shield
PEA 256	US Stryker family Rhino Anti IED Device/ VHF/UHF
TE 032	Modern military barricade wire

