



BR48041

## Hawker Typhoon Bubbletop Cockpit Set

Designed for the 1/48  
Hasegawa Typhoon Kits

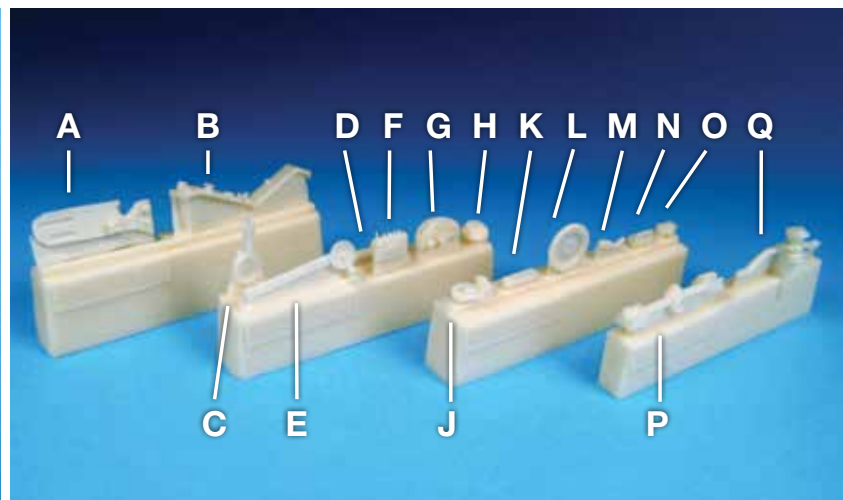
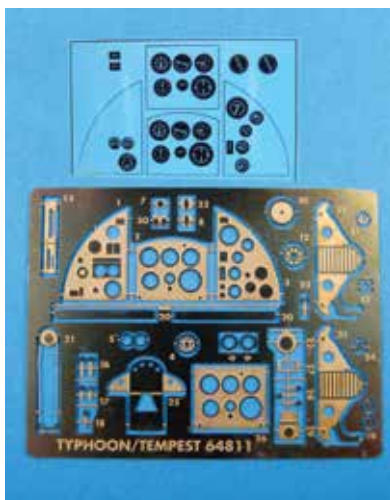


This detail set is designed for the Hasegawa bubbletop Typhoon kits. It can be made to work with the old Mongram Typhoon if desired, but the Hasegawa is a far superior kit. Bubbletop cockpits were painted all black, with the lower sidewall panels behind the tubular structure in Interior Grey Green. They could also have the tubular structure painted dull aluminum. Seats were either unpainted aluminum or black. Seatpads were a dark khaki and belts were a medium-light brown canvas color with brass buckles and grommets. Instrument panel, small boxes, gunsight and aux panels were black. Trim wheel red brown. Thanks to Don Barnes for the superb photoetch and film dial artwork. Patterns by Roy Sutherland

See [barracudacals.com](http://barracudacals.com) for other 1/48th Hawker Typhoon sets.

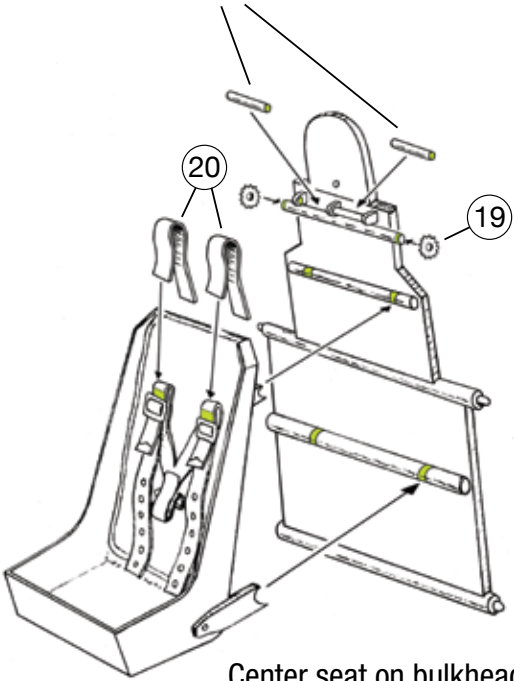
1. The key to installing this set is to get the instrument panel to fit. Once this fits, the rest is easy. Thin the cockpit sidewalls where the instrument panel fits by scraping with a curved hobby blade. Test fit and adjust. Remove molded in coaming from kit fuselage halves. Fill and sand small step in this area.
2. Remove mold blocks carefully from parts as you need them. To safely remove seat, glue casting block to wooden dowel with superglue. Hold seat casting by dowel while carefully sawing seat from block. Careful not to saw through bottom of seat casting. Etched belts tuck behind buckles and go over back of seat.
3. Do not attach auxiliary panels until complete cockpit has been assembled. The front edge of these panels should rest against the tubular frame under the instrument panel.
4. Trim film dials. Test fit film dials to panels to determine correct side up. Paint back of film with a light cream color. Attach small parts to etched panels with Future or CA. Paint etched panels. Stick film dials paint side down to a post-it note. Brush Future on and lay etched panel on top. Adjust and set aside to dry for a few hours. Attach completed panels to painted resin part with white glue or CA. Instrument panel assembly fits against the two raised tabs on the sidewalls, and should be added after cockpit is assembled.
5. Add small parts like stick and gunsight during final assembly of model.

Happy modelling!

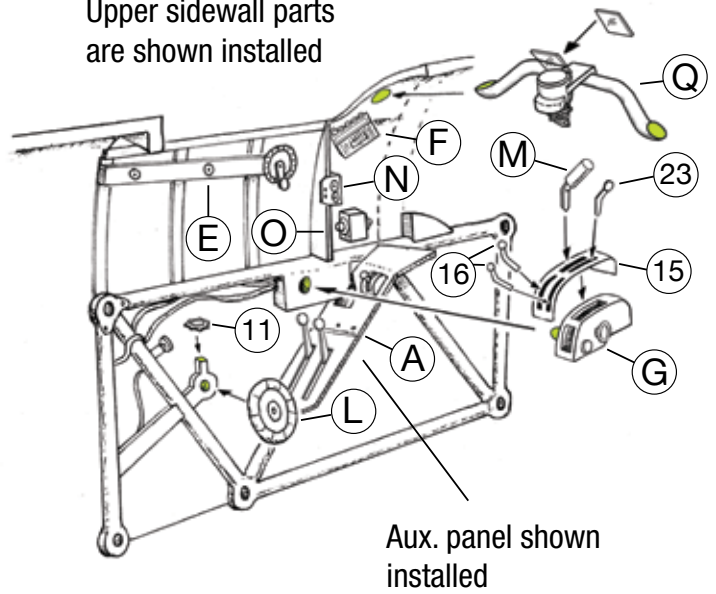


To view out other products visit our website at [barracudacals.com](http://barracudacals.com)

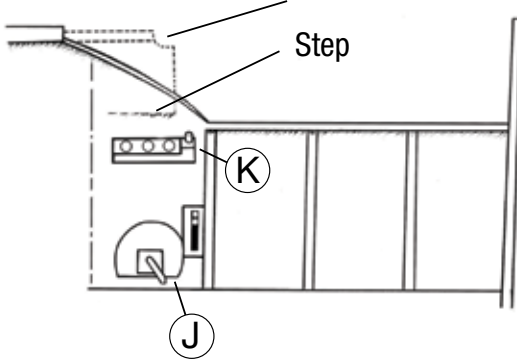
Add from .020" styrene rod



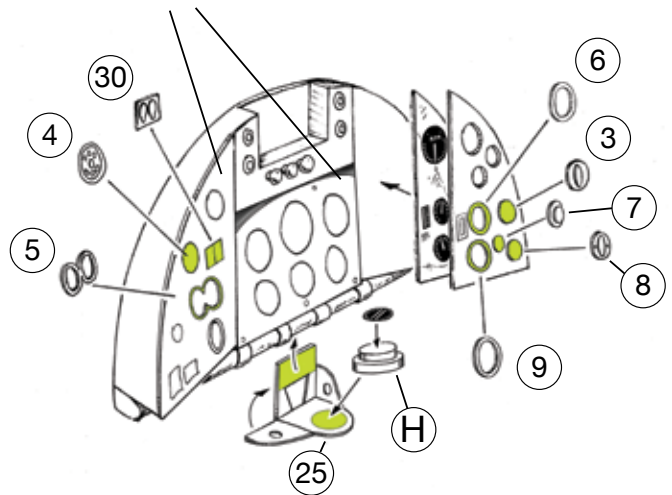
Upper sidewall parts are shown installed



Remove coaming (L and R halves)



Etched panels shown installed



Rudder pedal shown installed

