



Bergepanzer BPz3 "Buffalo" ARV

ドイツ陸軍 BPz3 バッファロー戦車回収車

现代德国BPz3“水牛”装甲救援车

PLEASE READ BEFORE OPERATION!

- * Tools recommended as below: (Not included)
Adhesives; Paints; Side Cutters; Sharp Edged Pliers; Modeling Knife; Modeling File; Nippers; Drill; Scissors; Sand Paper; Soft Cloth; Cyanoacrylate Glue.
- * Make sure to read this instruction listed below before assembling.
- * The kit contains the small parts, they can be dangerous if swallowed by mistake, so keep them away from reach of children.
- * Cut the all parts off carefully and remove the waste parts into the garbage can.
- * More caution and care should be needed for cutting and handling the photo etched parts.
- * Make attention that some parts should be attached the decal when assembled.
- * During assembling, please tear up and throw away the plastic bags, or may cause the dangerous if wearing over head by children's mistake.
- * When using the adhesives and paints, please do not use them in the closed room or near the fire, also must be very careful to protect your eyes, face and clothes.
- * Adult supervised when assembled by children under 14 years old.

装配前请仔细阅读：

- * 推荐使用的模型工具(请自备):
专用模型胶水, 专用模型油漆, 水口剪刀, 长咀钳, 刀片, 锉刀, 镊子钳, 钻, 剪刀, 软布, 砂纸, 瞬间快干胶等。
- * 用水口剪刀或刀片小心切下所有塑胶零件和蚀刻片零件, 不要遗失小零件。
- * 切取蚀刻片时应特别注意防止利边划伤手指。
- * 用模型锉刀小心锉平所有零件表面的注射浇口。
- * 用适量的强力快干胶水粘合蚀刻片零件和金属轴, 切忌过量, 否则可能导致可动零件被粘住。
- * 注意某些零件表面需在装配时同步贴水上贴纸。
- * 制作时应远离幼儿并将包装袋及时收妥, 谨防小孩玩耍而引起意外。



The method to apply the decals

1. Cut off the decal from the decal paper and put it into the warm water 40°C for 10 seconds.
2. Take the decal from the water and put it on a piece of clean cloth.
3. Remove the decal slowly from the paper to the targeted location by a wet finger.
4. Use a piece of dry and soft cloth to press it gently on the decal until it getting dry and no bubble existing.

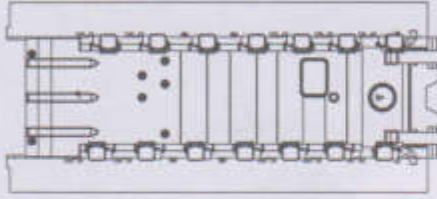
水贴纸的使用方法：

- 一. 把相关的印花从水贴上剪下, 放入40°C左右的温水中浸10秒。
- 二. 然后将印花放在干净的布上。
- 三. 拿上印花纸板, 手指蘸水将印花移到适当的位置。
- 四. 用软干布轻压印花直至水干, 气泡消失。

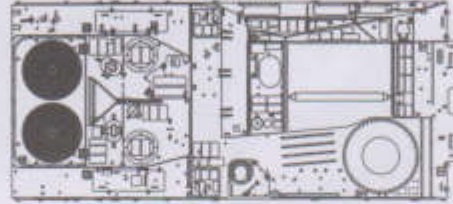
* 说明书中含有重要信息, 应保留。 Please Keep instruction since it contains important information.

部品图
Parts

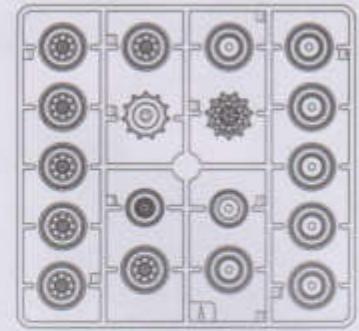
车底
Lower hull



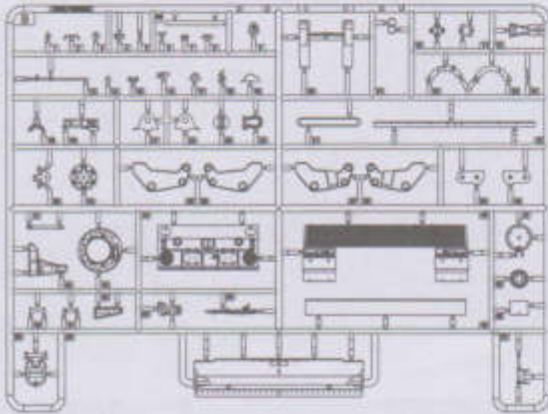
车面
Upper hull



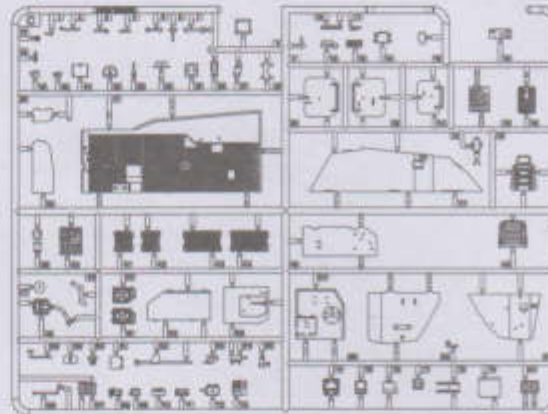
Ax2



B



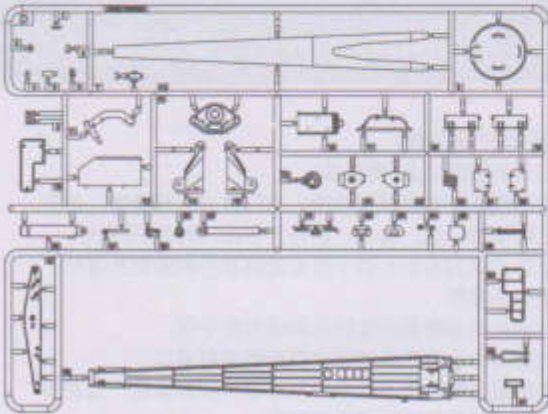
C



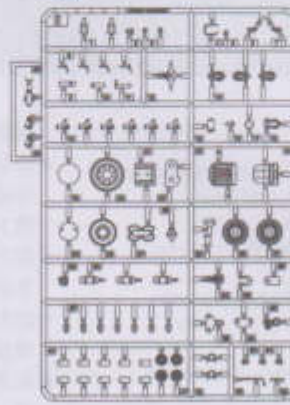
Fx2



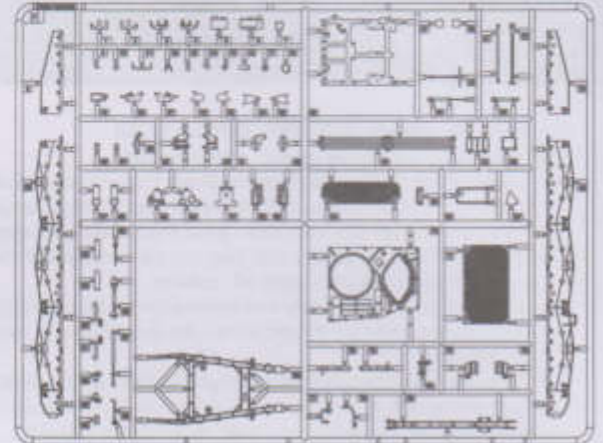
D



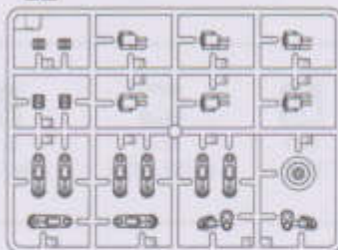
Ex2



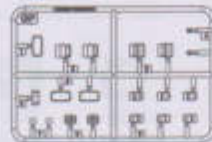
H



Lx2



GP



履带
Track



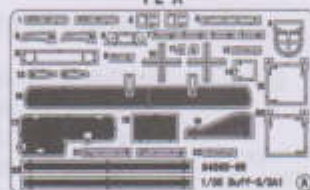
聚乙烯套x3
Poly cap



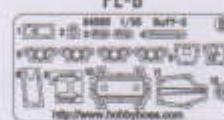
铜线
Brass wire



《蚀刻片A》
PE-A



《蚀刻片B》
PE-B



《水贴》
Decal



履带x2
Track



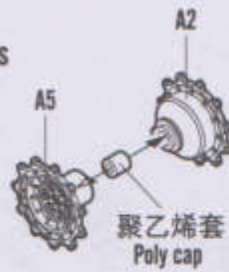
1
STEP

负重轮
Road wheels
制作14组
Make fourteen



聚乙烯套
Poly cap

主动轮
Sprocket wheels
制作2组
Make two



聚乙烯套
Poly cap

诱导轮
Idler wheels
制作2组
Make two

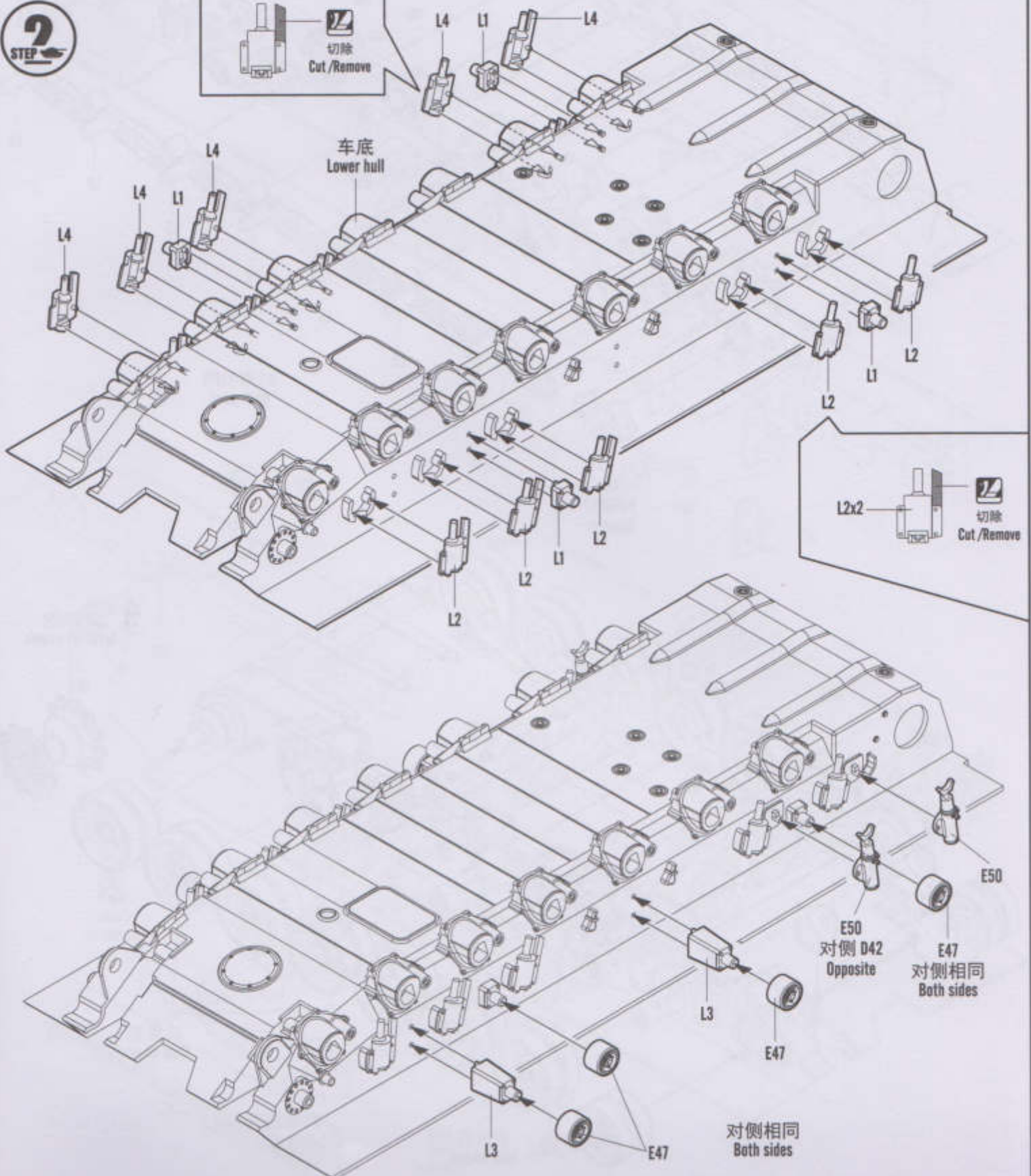


聚乙烯套
Poly cap

2
STEP



车底
Lower hull

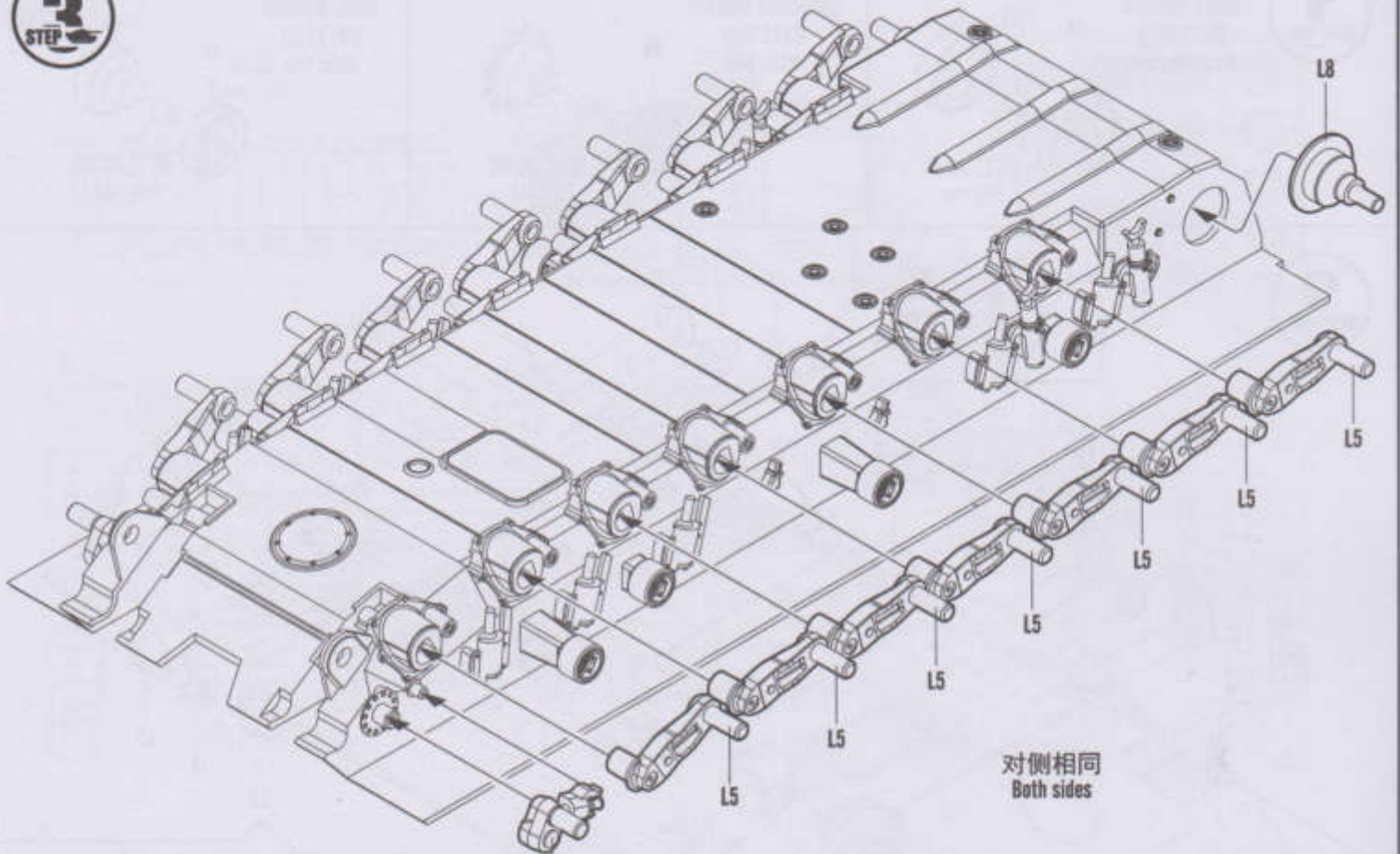


L2x2
切除
Cut/Remove

E50
对侧 D42
Opposite

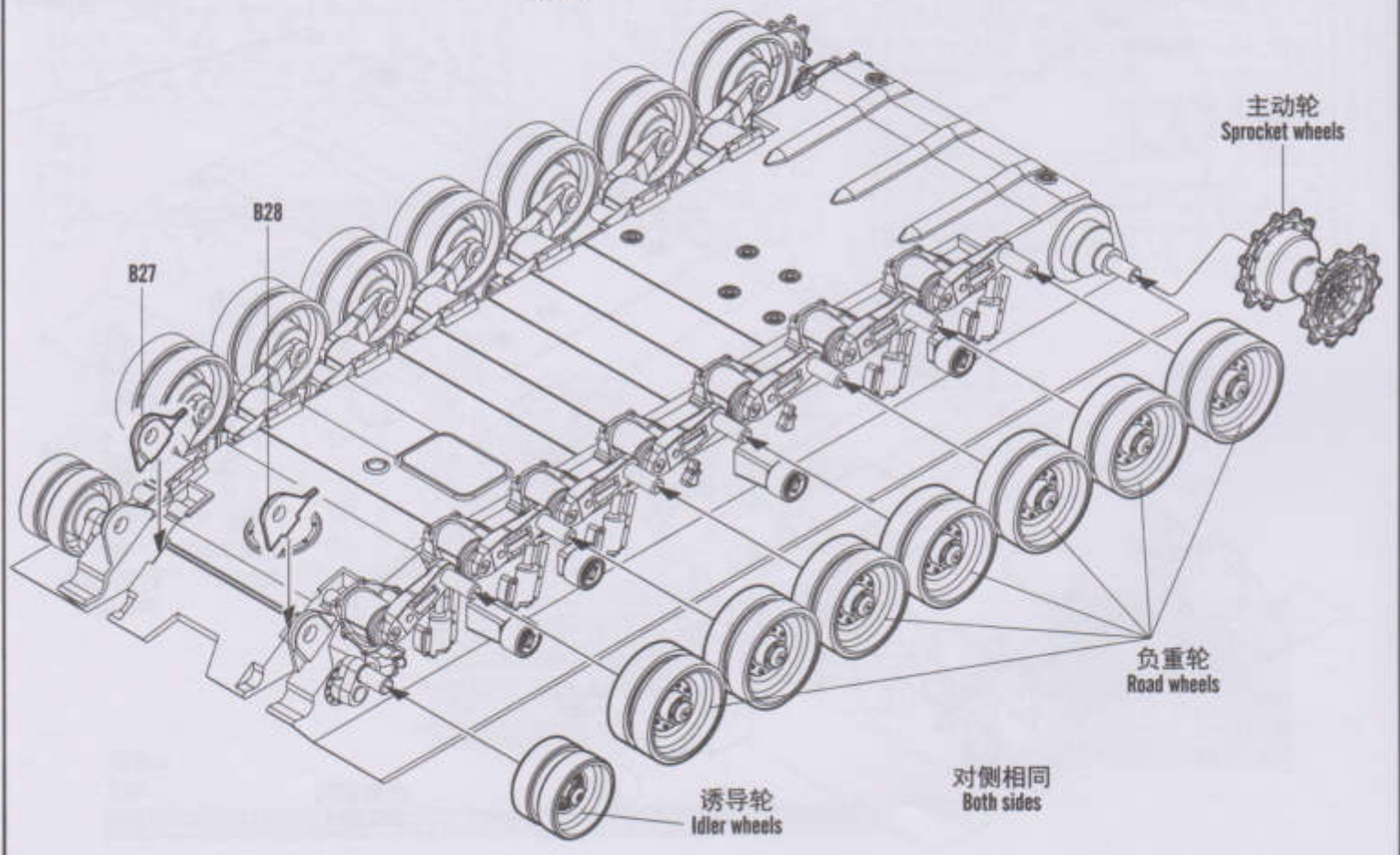
E47
对侧相同
Both sides

对侧相同
Both sides



L6
对侧 L7
Opposite

对侧相同
Both sides

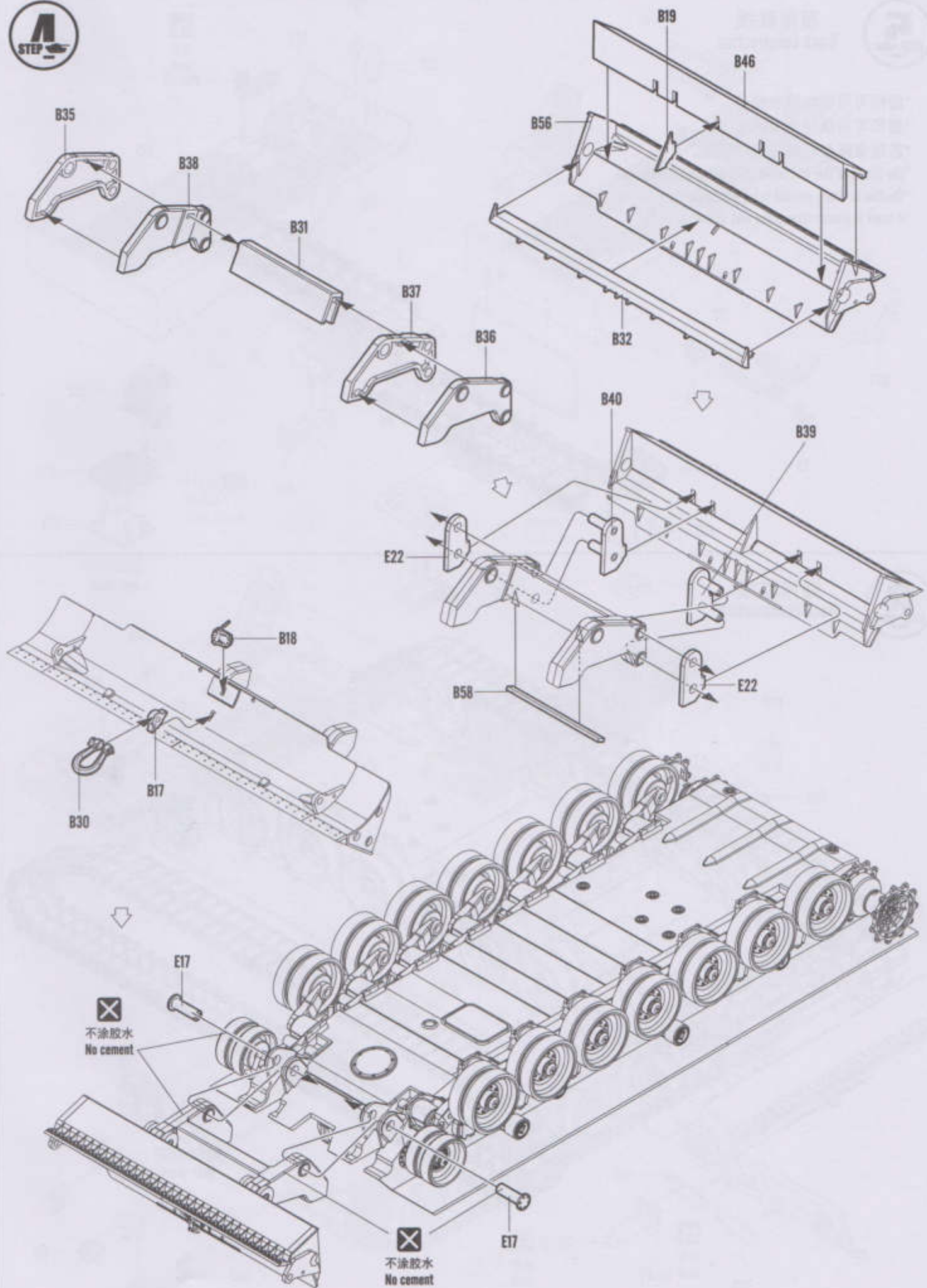


主动轮
Sprocket wheels

负重轮
Road wheels

诱导轮
Idler wheels

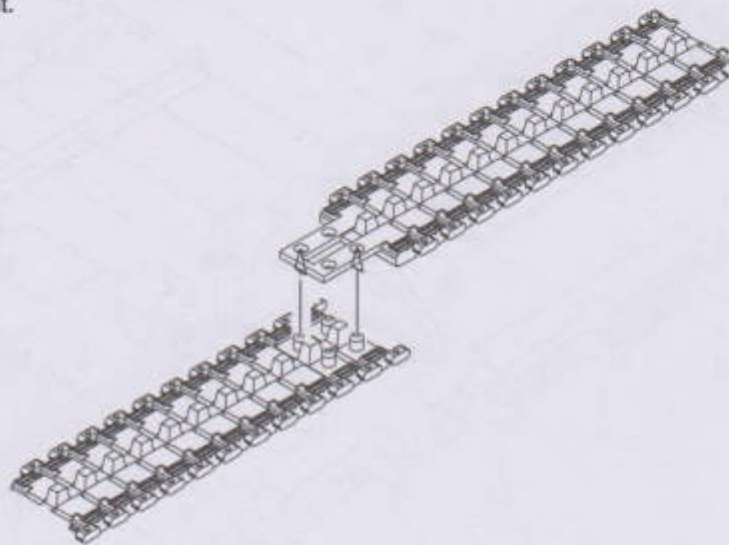
对侧相同
Both sides



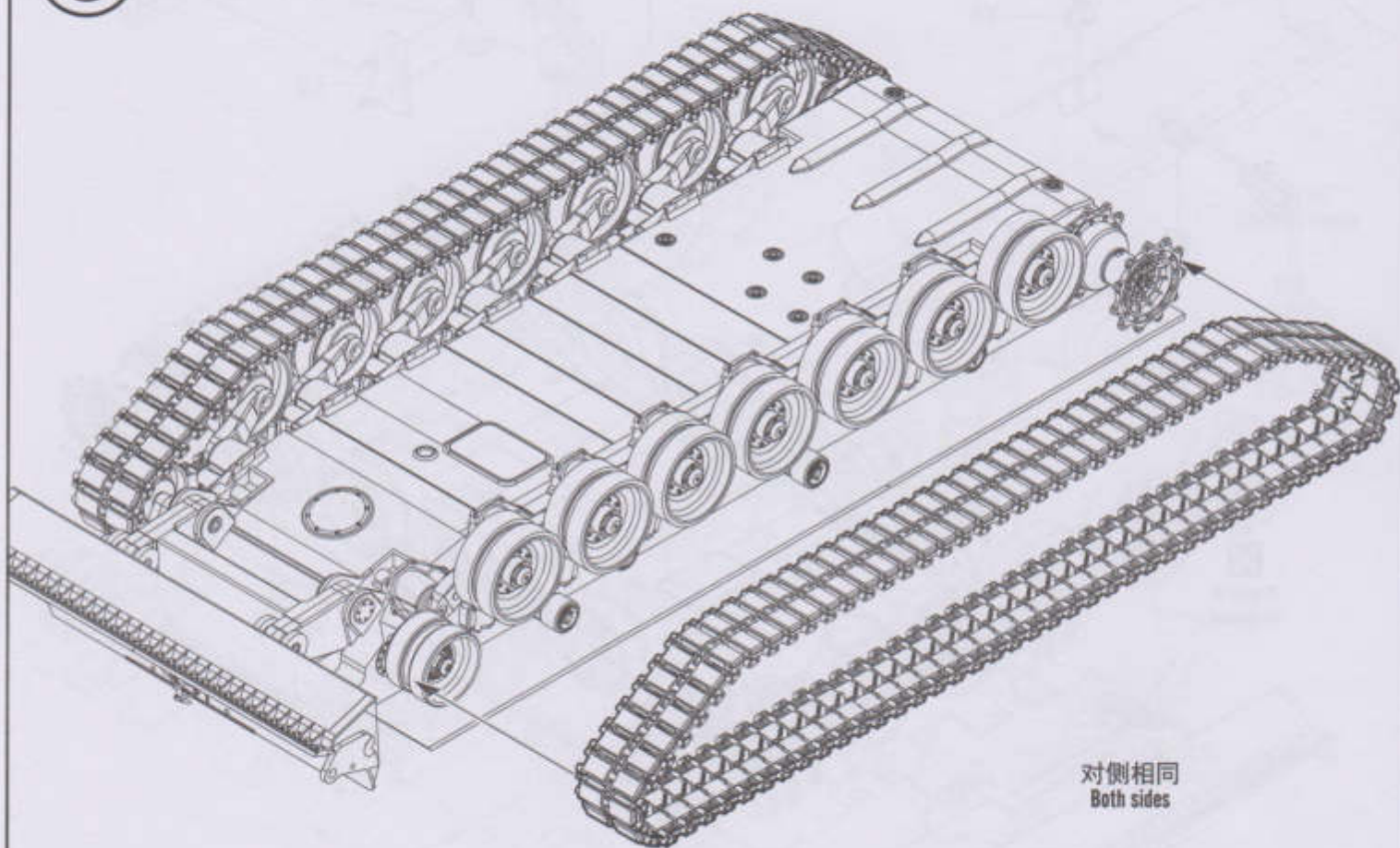


履带联接 Track construction

- *履带可用塑料胶水粘合。
- *履带可用模型油漆喷涂。
- *若履带断裂，用细丝线固定。
- *The tracks in this kit can be glued using plastic cement.
- *The tracks can be painted using plastic paints.
- *If track is broken strengthen with staples or thread.

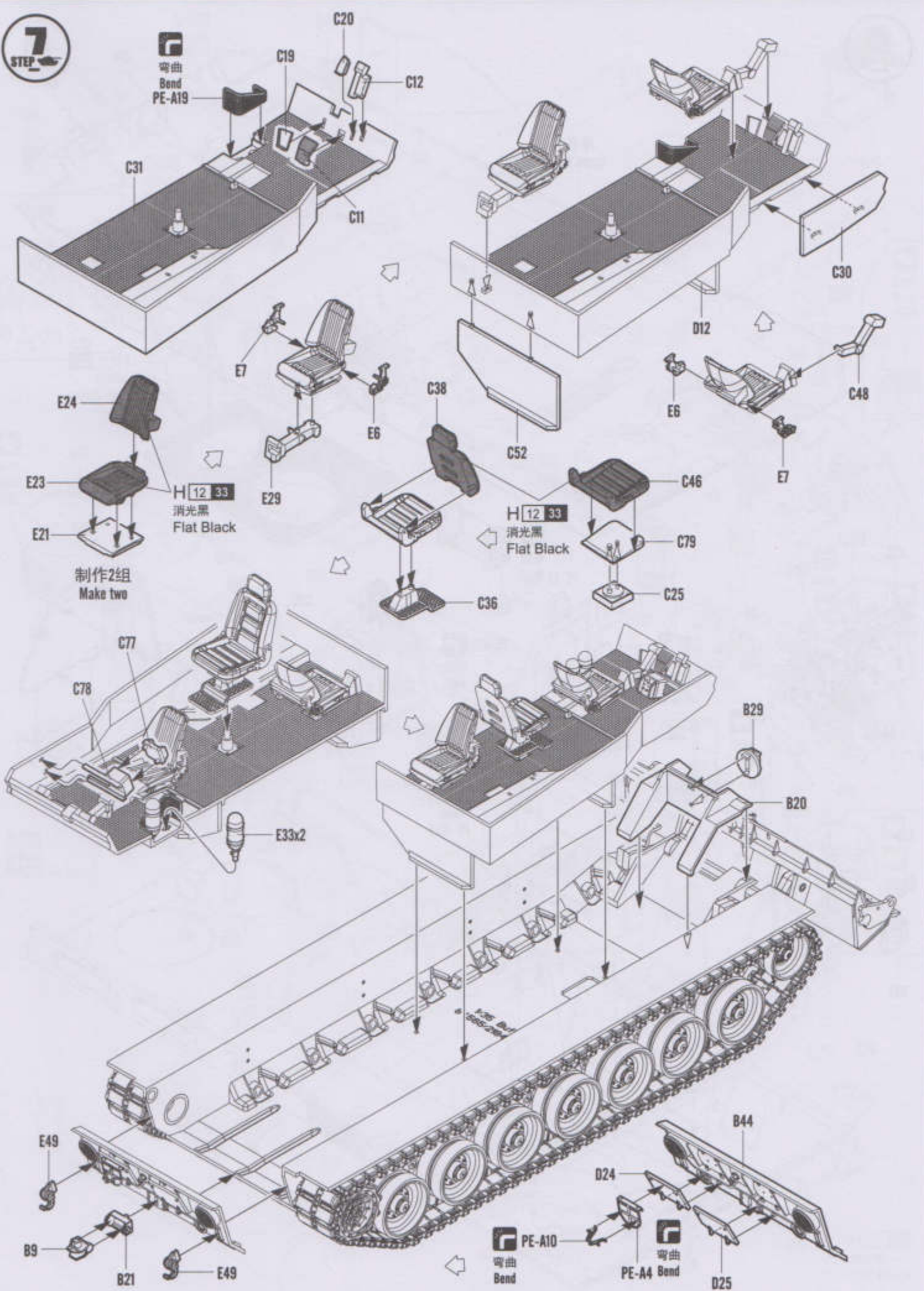


履带联接 Track construction



7
STEP

G
弯曲
Band
PE-A19



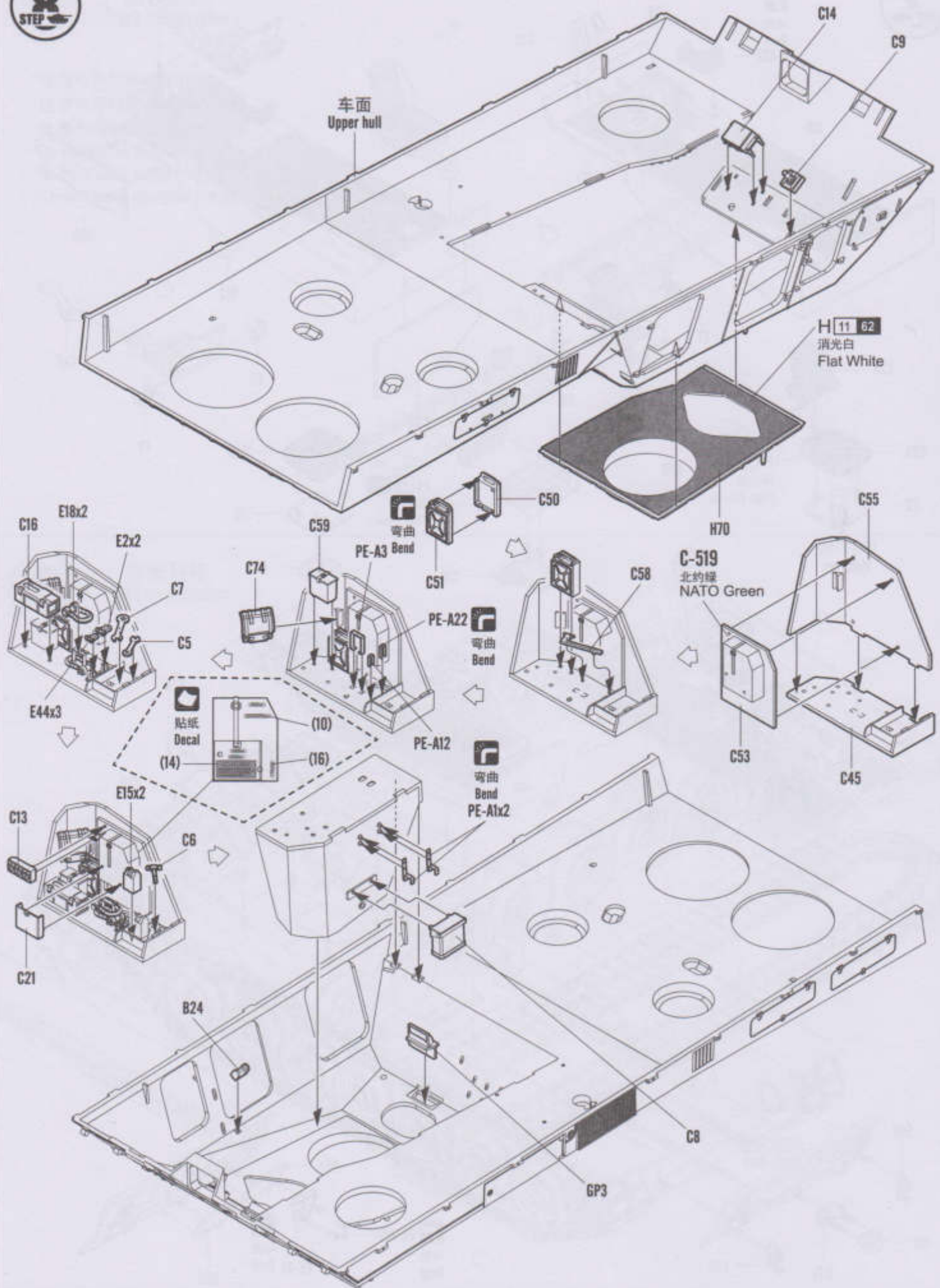
H 12 33
消光黑
Flat Black

制作2组
Make two

H 12 33
消光黑
Flat Black

G PE-A10
弯曲
Band

G PE-A4
弯曲
Band





C-519
北約綠
NATO Green

C49

E32

C35

C57

C44

C43

C56

C-519
北約綠
NATO Green

H 11 62
消光白
Flat White

C10

E33x4

H 11 62
消光白
Flat White

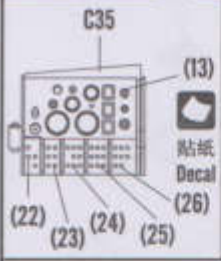
C18

C68



貼紙
Decal
(15)

C73



C35

(13)



貼紙
Decal
(26)

(22)

(23)

(24)

(25)



貼紙
Decal
(12)

C37

C-519
北約綠
NATO Green

C27

C63

C1

C73

E42x4

PE-A2
彎曲
Bend



貼紙
Decal
(18)

C40

C76

C75

C69

C17

C15

C70

C41

C42

C62

C67

C72

E32

C29

E45



貼紙
Decal
(19)

C-519
北約綠
NATO Green

C60

C71

C61

C39

C-519
北約綠
NATO Green

C41

C42

C62

貼紙
Decal
(19)

E32

C54

C15

C70

C41

C42

C62

C28

C24

C-519
北約綠
NATO Green

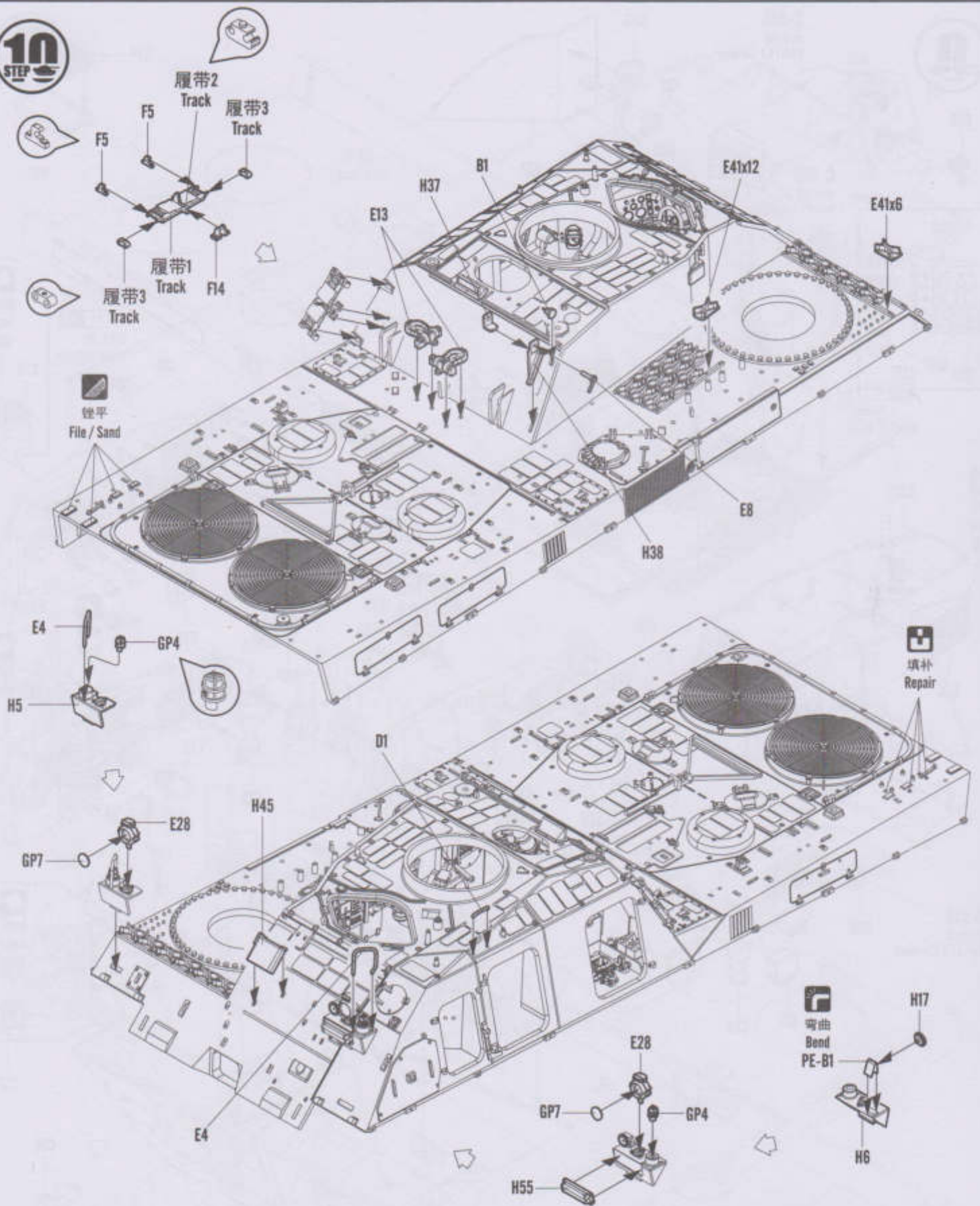
C23

C26

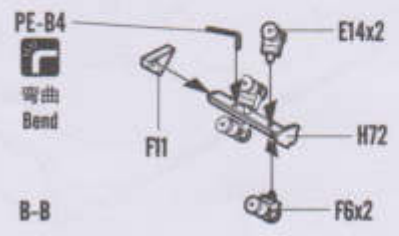
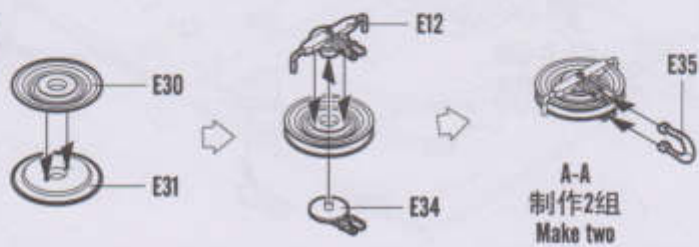
C22

H 12 33
消光黑
Flat Black

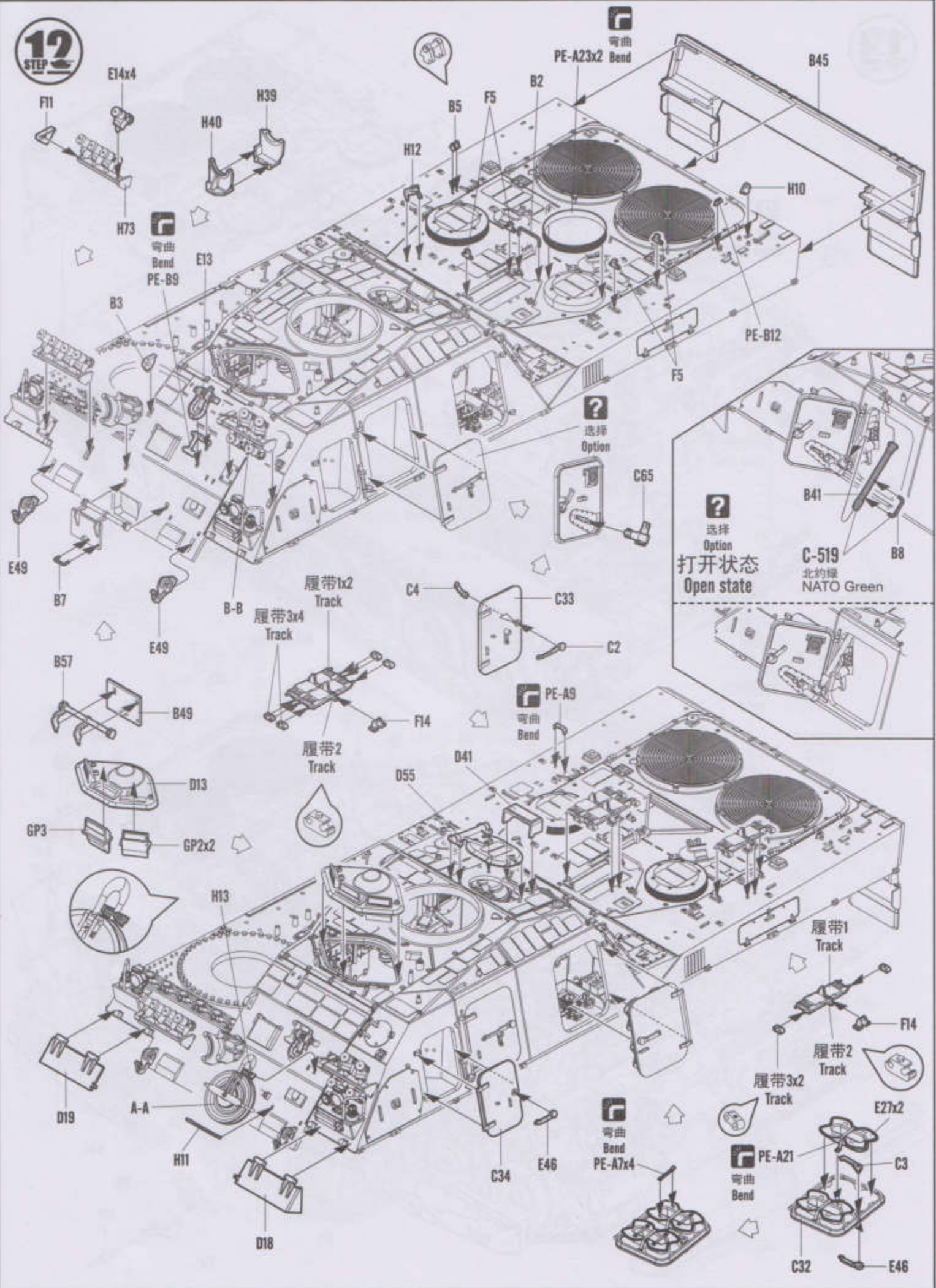
10
STEP



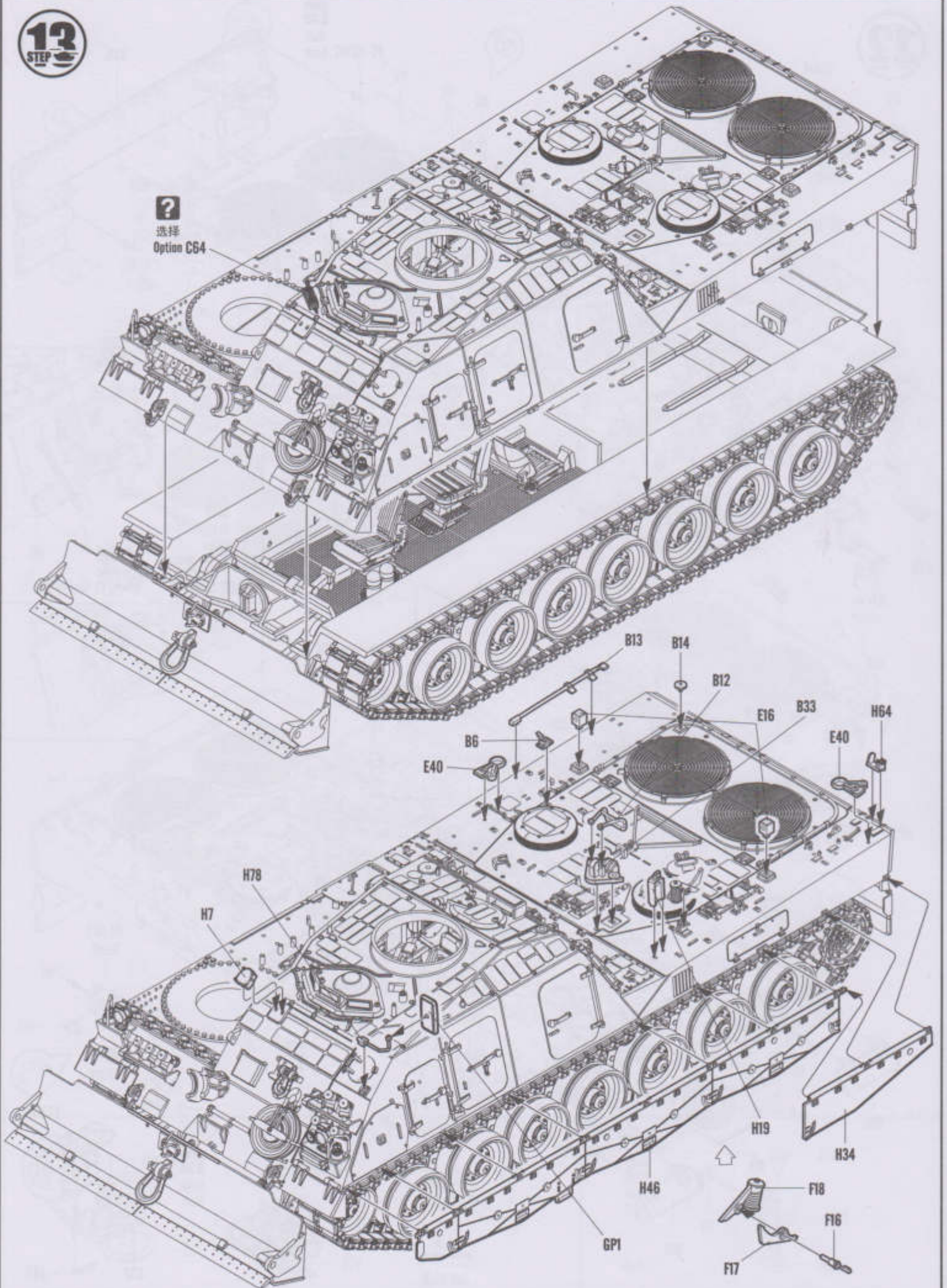
11
STEP

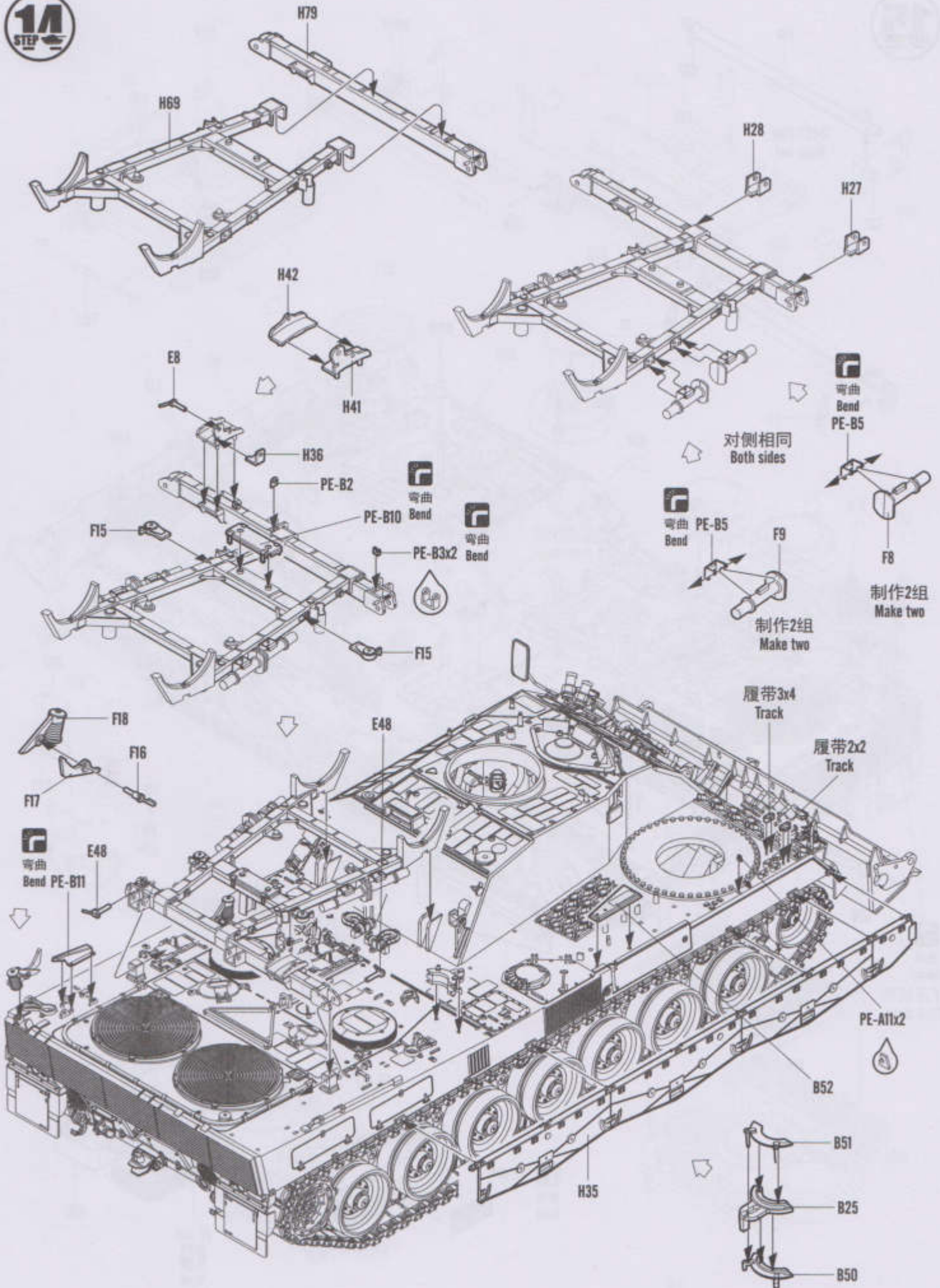


12
STEP

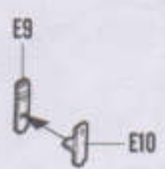
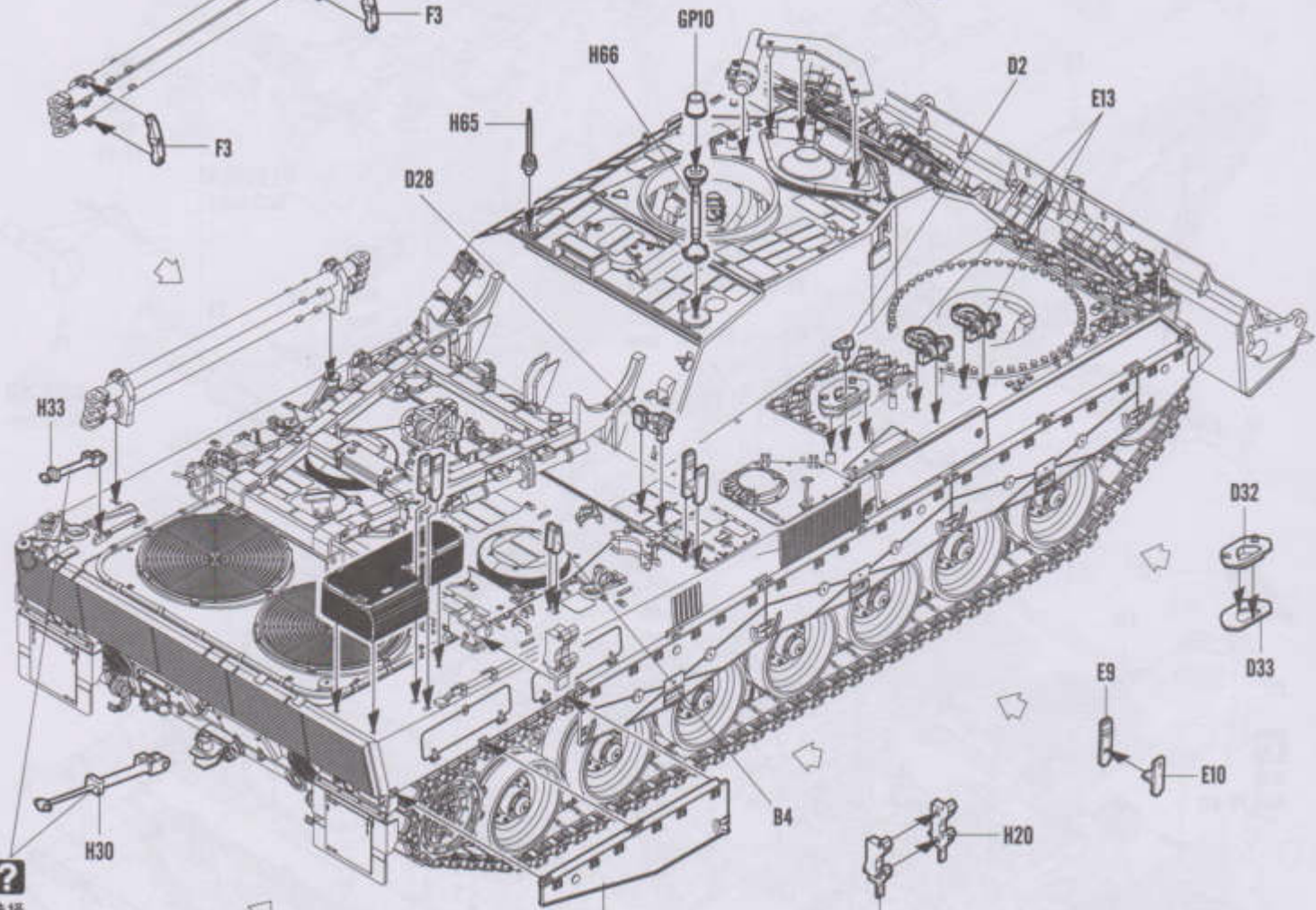
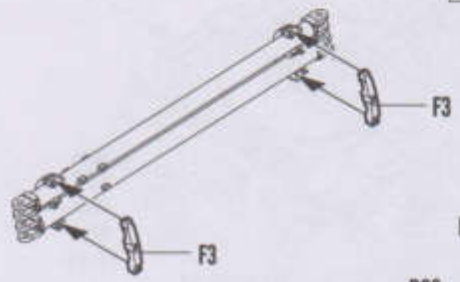
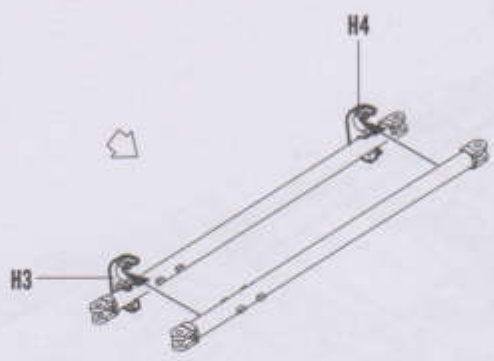
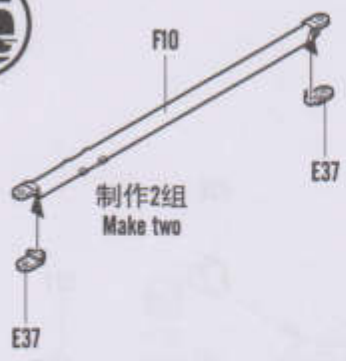


?
选择
Option C64

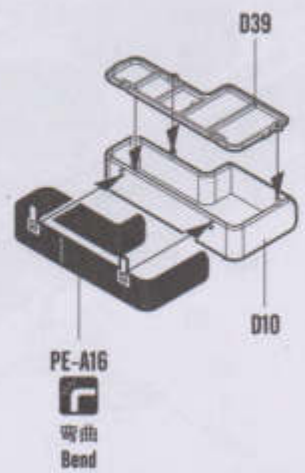
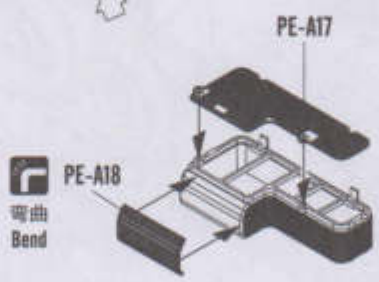
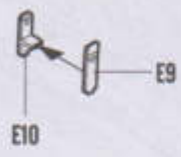


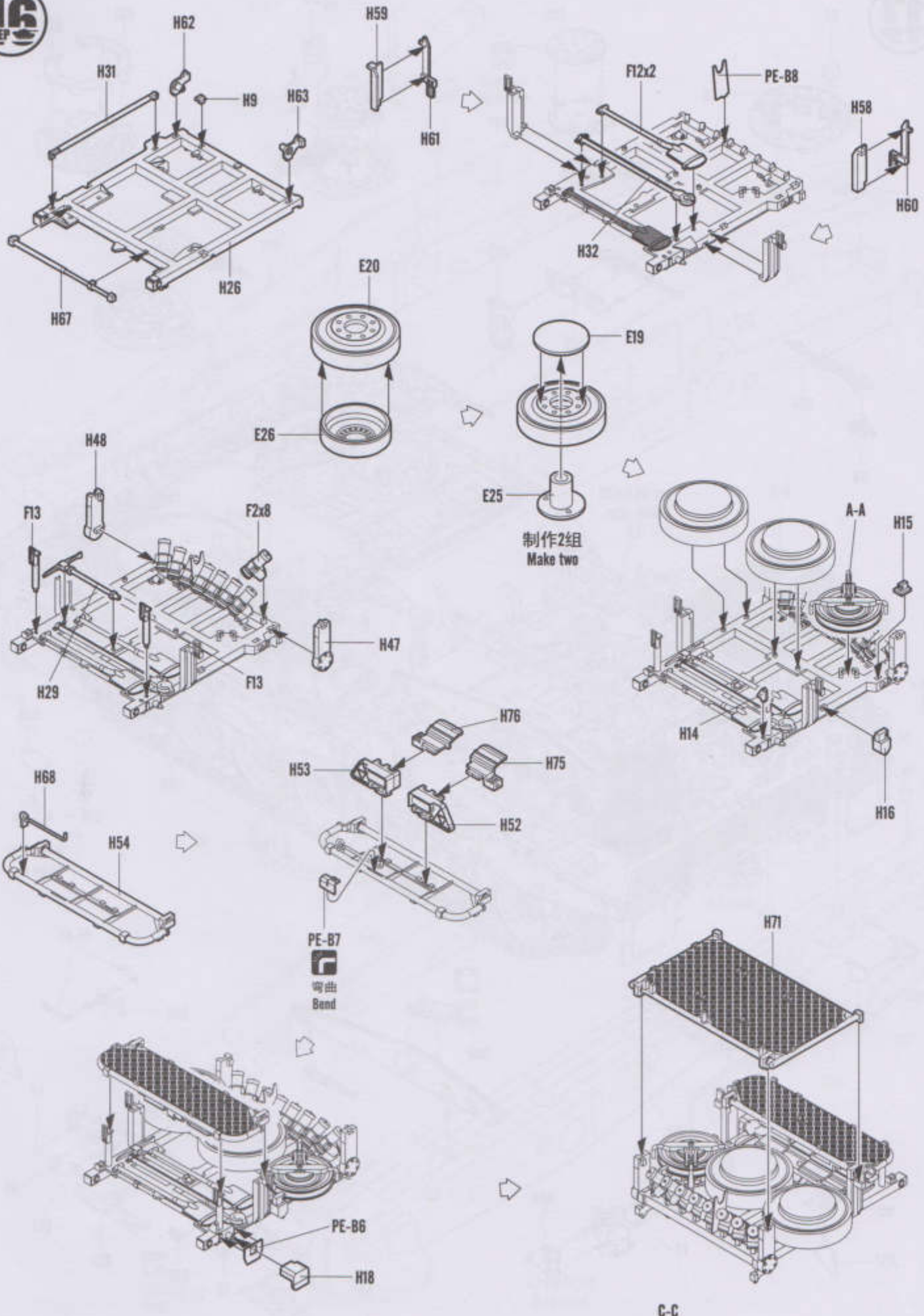


15
STEP

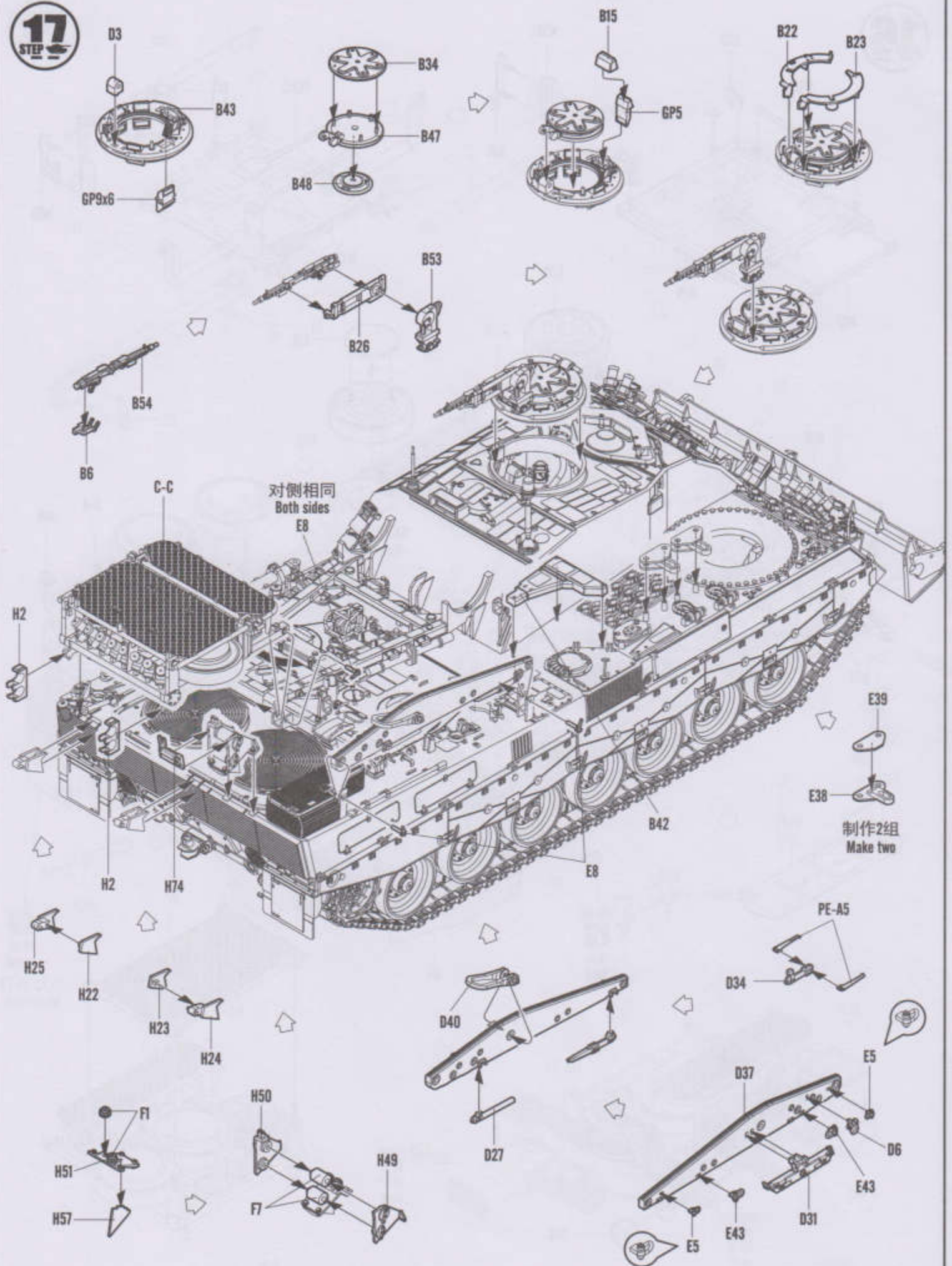


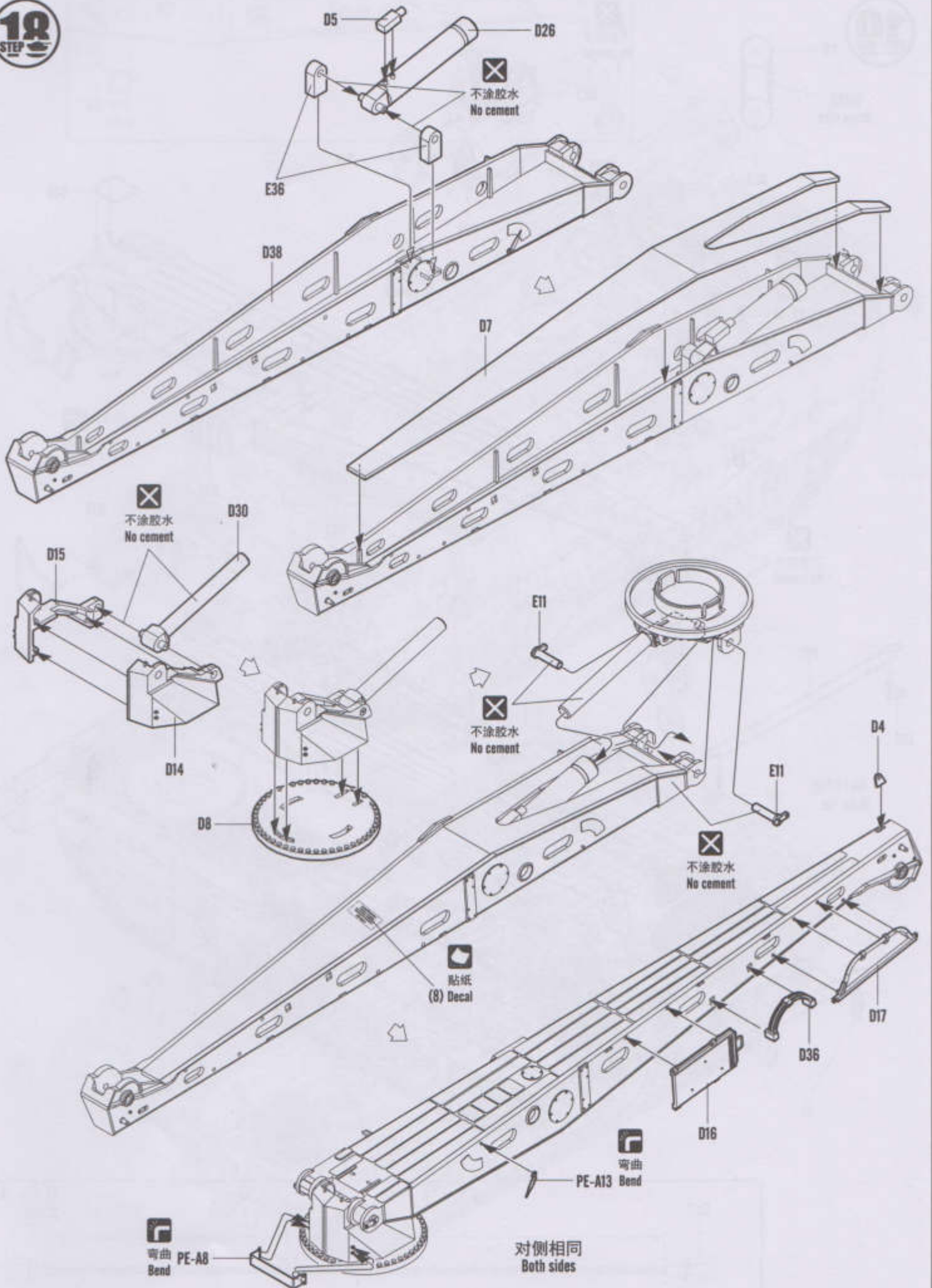
?
选择
Option
打开状态
Open state





17
STEP

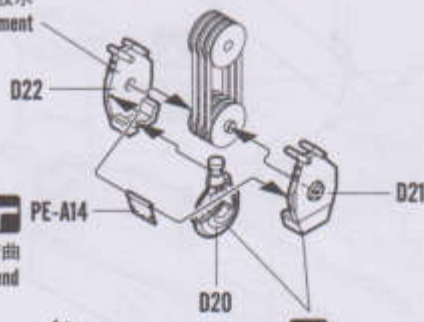




10
STEP



不涂胶水
No cement



不涂胶水
No cement



弯曲
Bend

PE-A6

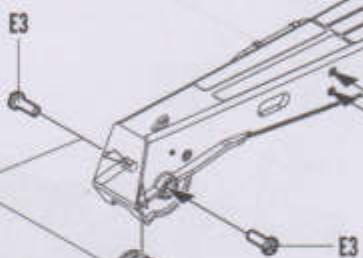


D35

PE-A13
弯曲
Bend



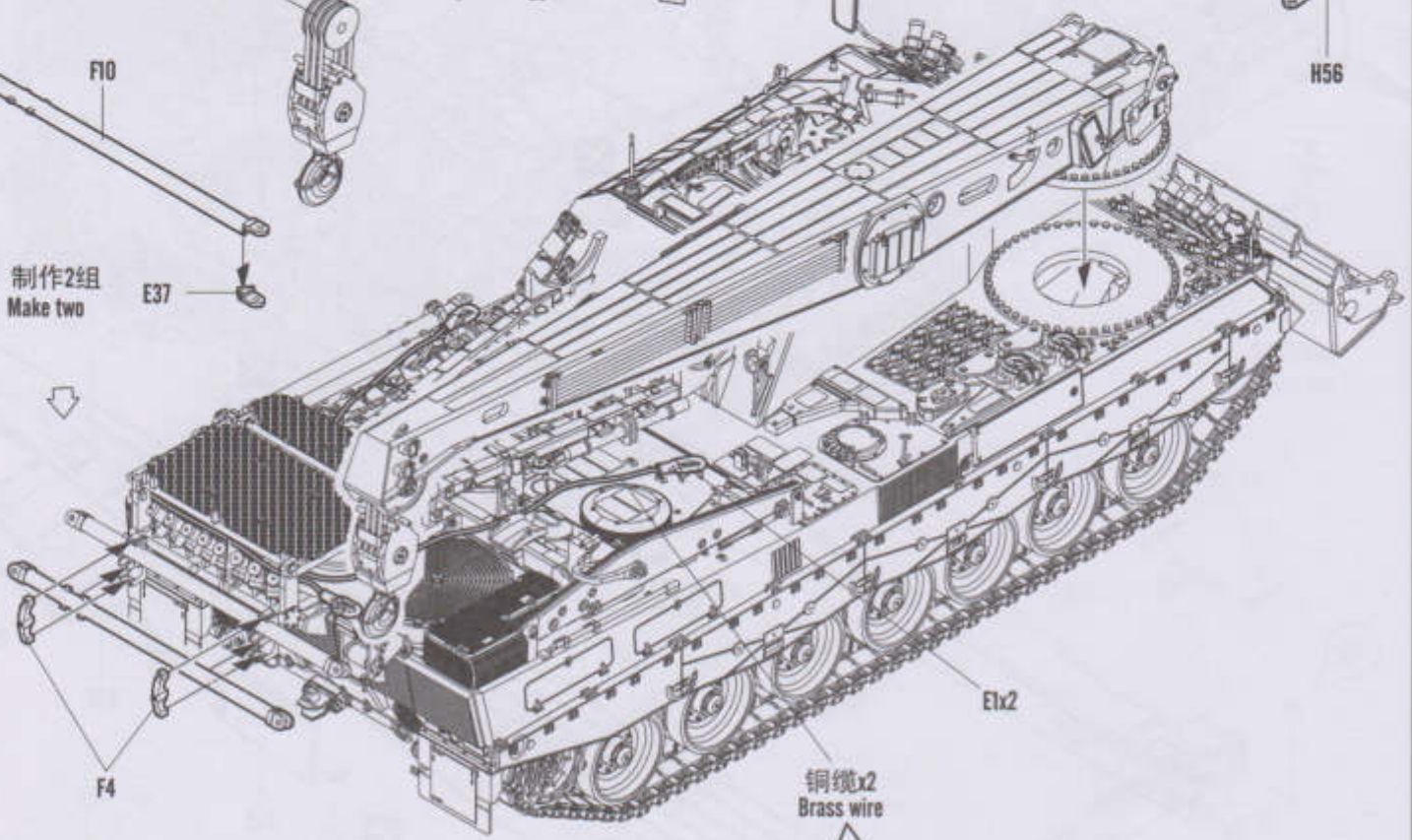
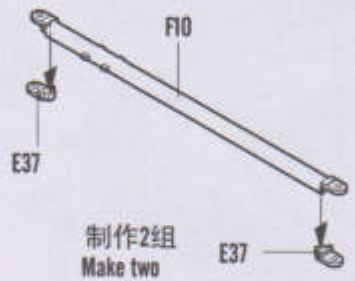
不涂胶水
No cement



GP6

H77

H56



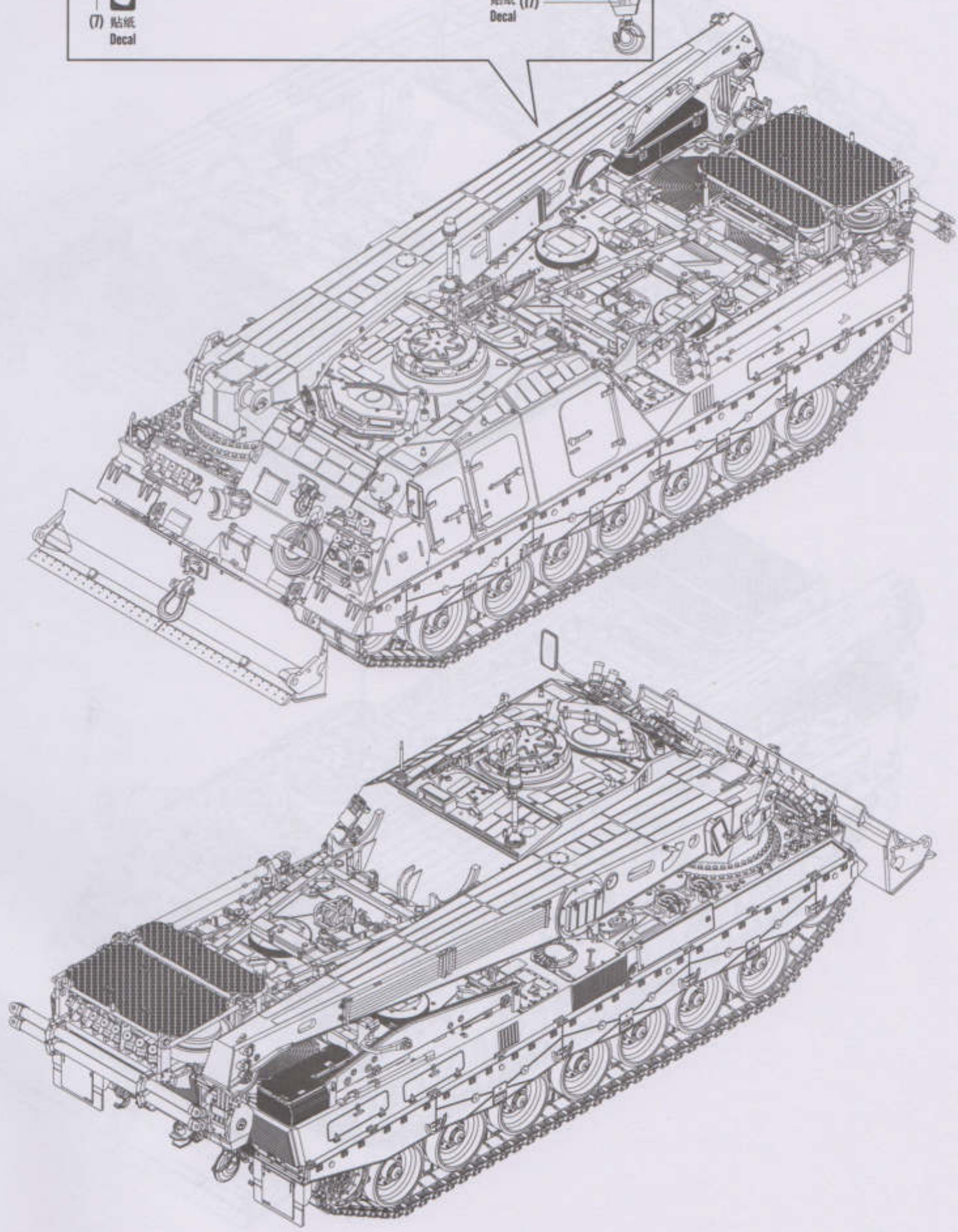
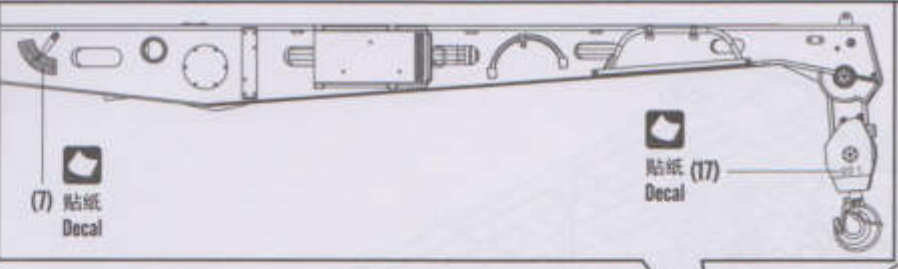
E1x2

115

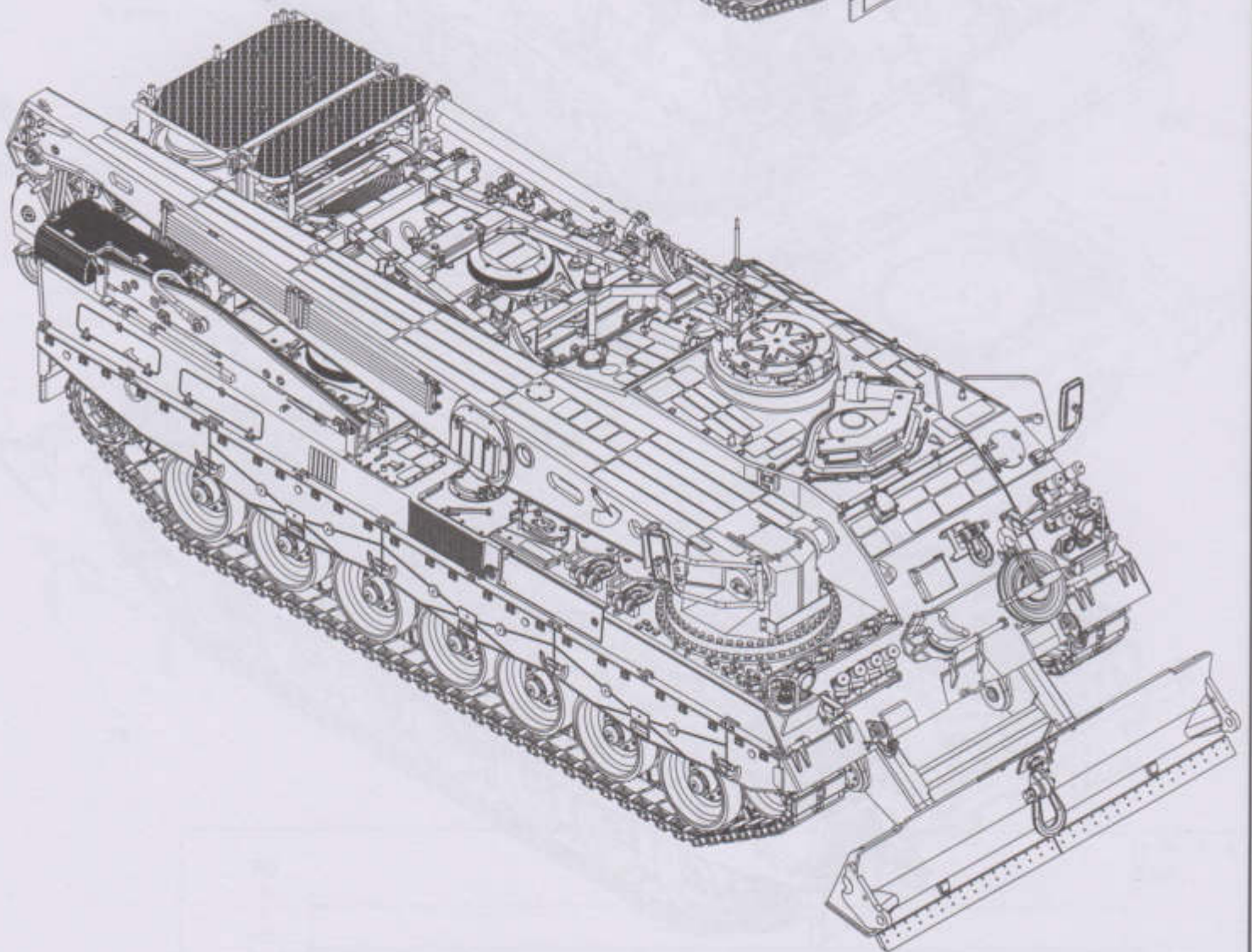
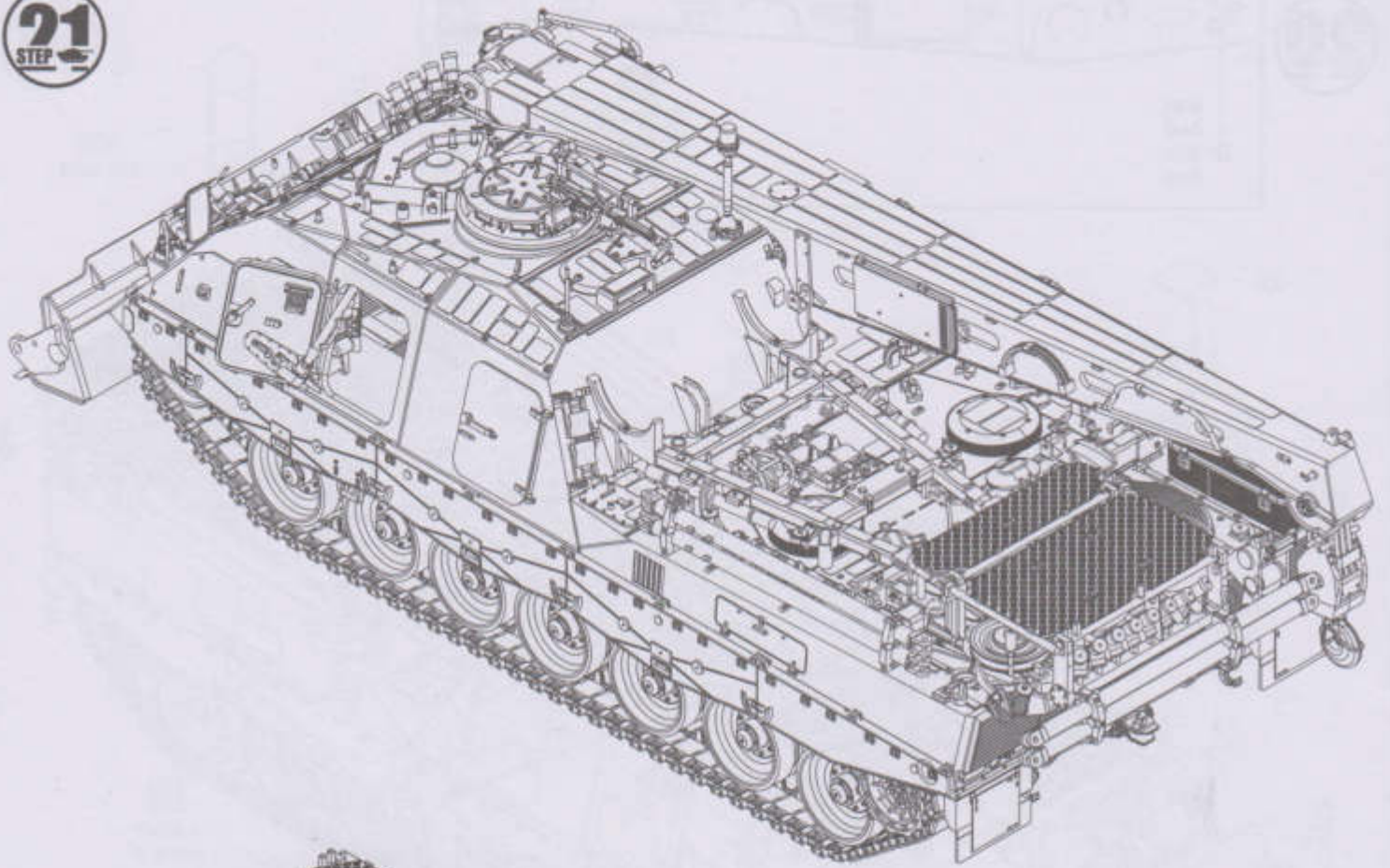
比例: 1: 1
SCALE



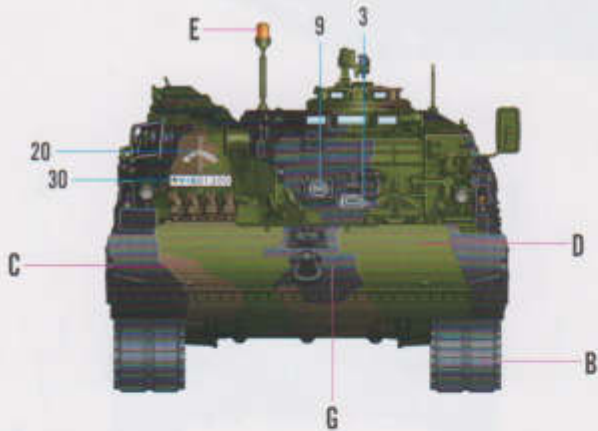
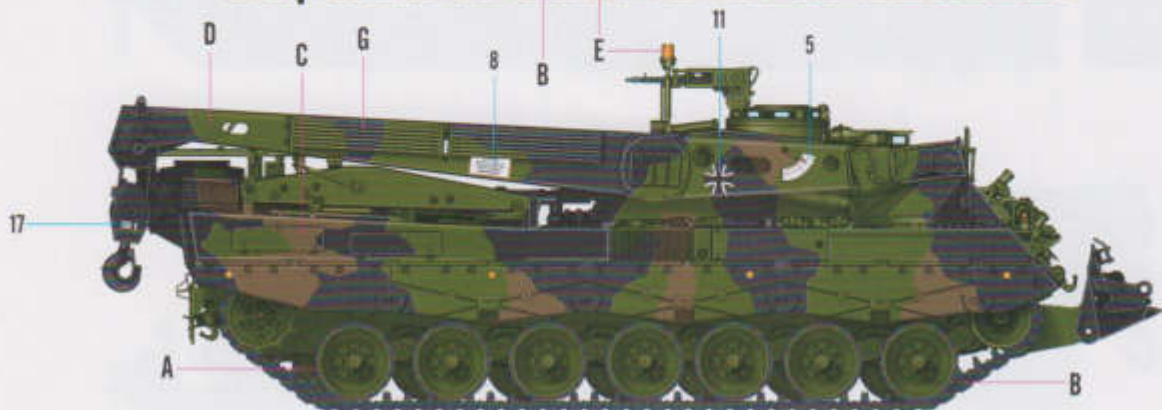
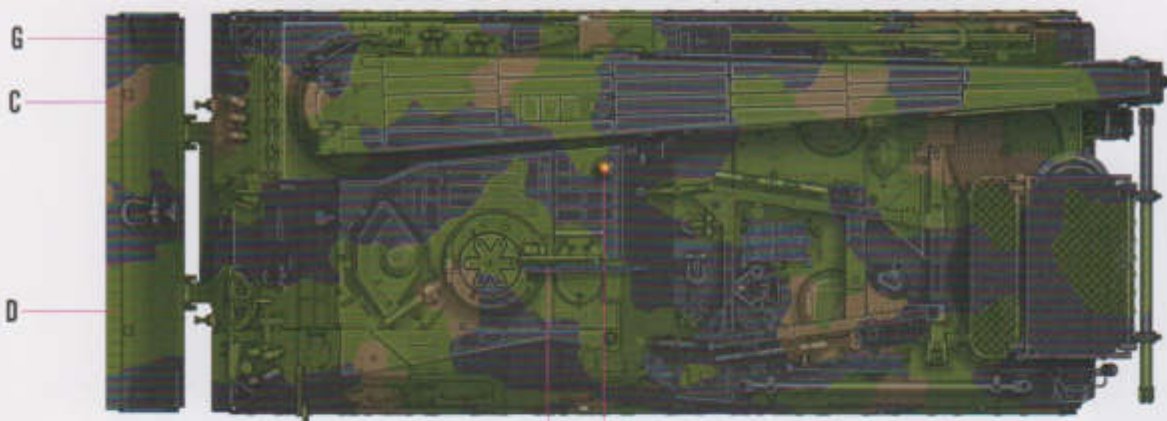
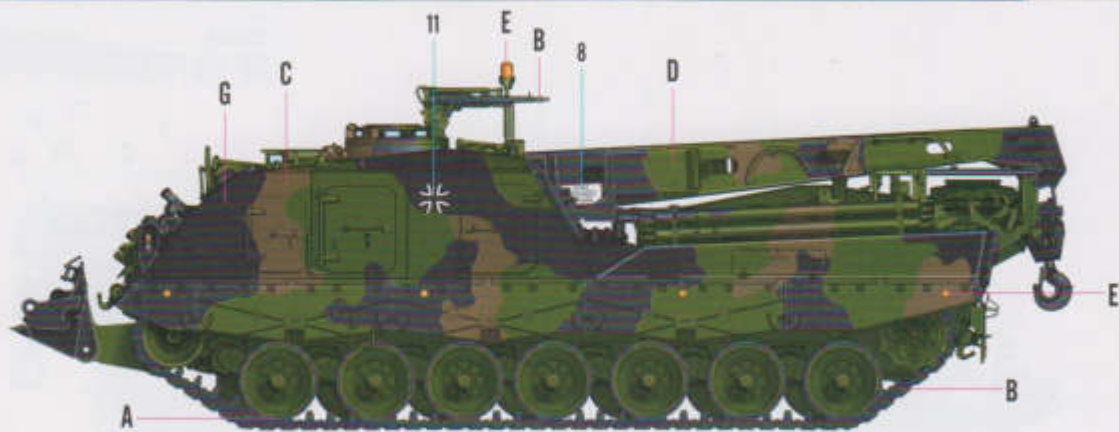
20
STEP



21
STEP



I



Color	Mr.Hobby	Acrycion	Vallejo	Model Master	Tamiya	Humbrol
A 胎黑色 Tire Black	H 77 137	N 77	--	--	XF85	--
B 黑铁色 Steel	H 18 28	N 18	864	1402	XF84	--
C 北约棕 NATO Brown	C-520	N □	--	--	XF68	--
D 北约绿 NATO Green	C-519	N □	--	--	XF67	--

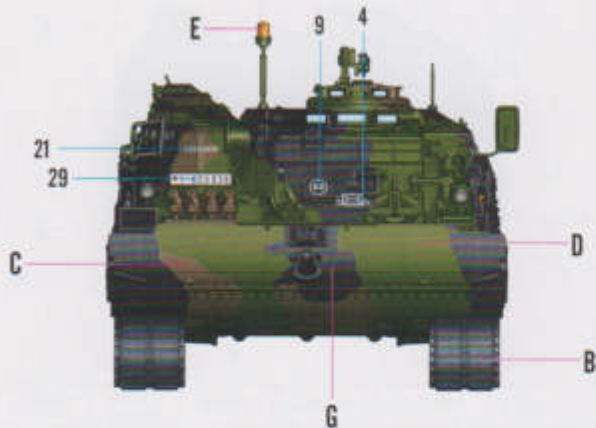
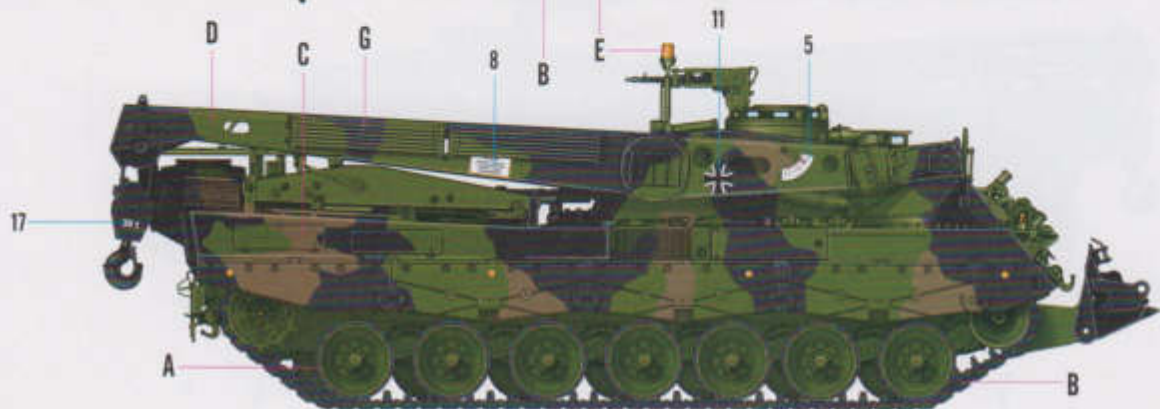
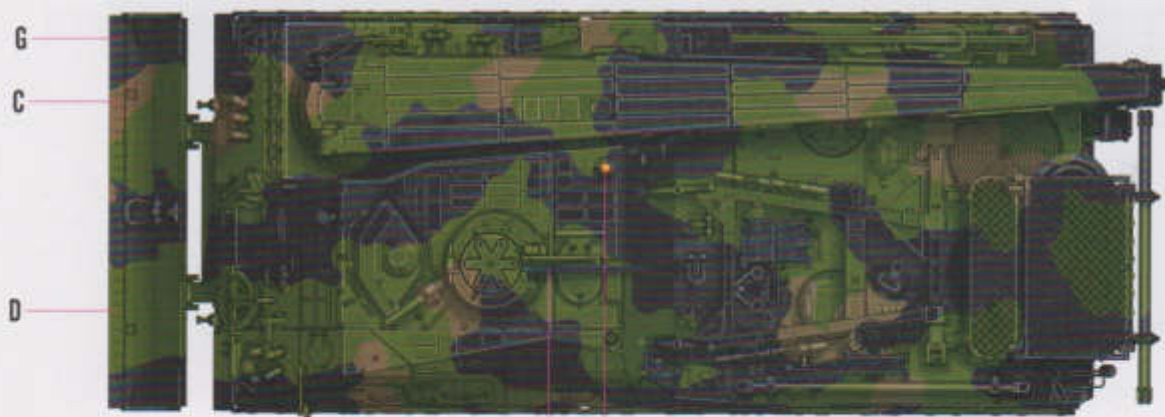
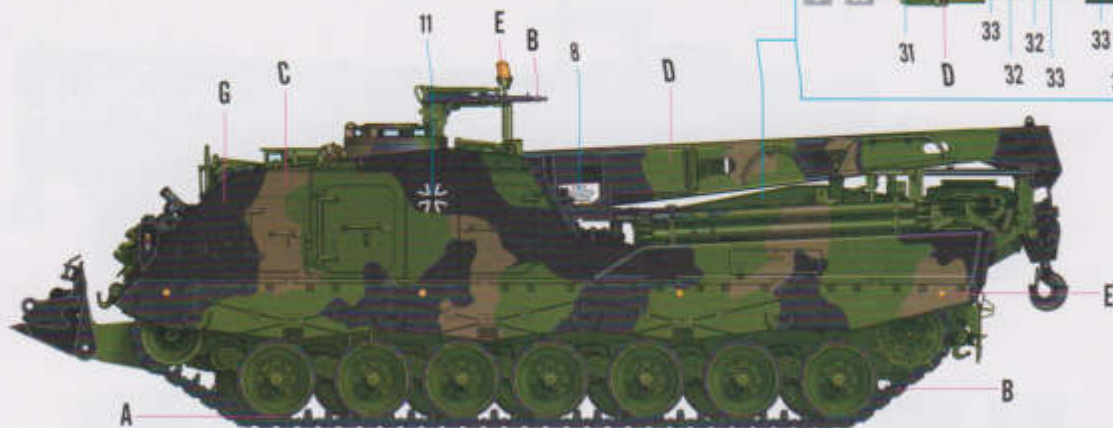
H □ AQUEOUS HOBBY COLOR ■ Mr. COLOR N □ ACRYCION COLOR

※ Some paints may not be available in your country. Please check your local hobby shop for substitute

II

Painting

I II



Color	Mr.Hobby	Acrycion	Vallejo	Model Master	Tamiya	Humbrol
E 透明橘 Clear Orange	H 92 49	N 92	935	--	X26	--
F 透明红 Clear Red	H 90 47	N 90	934	--	X27	--
G 北约黑 NATO Black	C-521	N □	--	--	XF69	--

H □ AQUEOUS HOBBY COLOR ■ Mr. COLOR N □ ACRYSION COLOR

*Some paints may not be available in your country. Please check your local hobby shop for substitute