

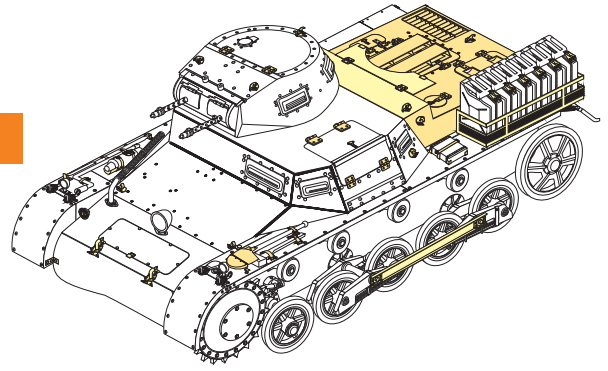
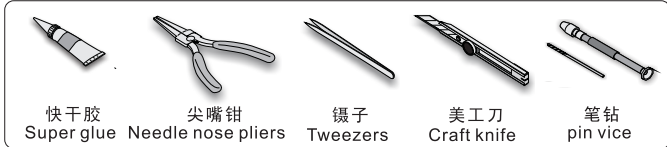
1/35 MILITARY MINIATURE VEHICLE UPGRADE SERIES PE35289

WWII German Pz.Kpfw.I Ausf. B DAK version basic

二战德军I号B型轻型坦克（北非军团）改造件

[For DRAGON 6207]

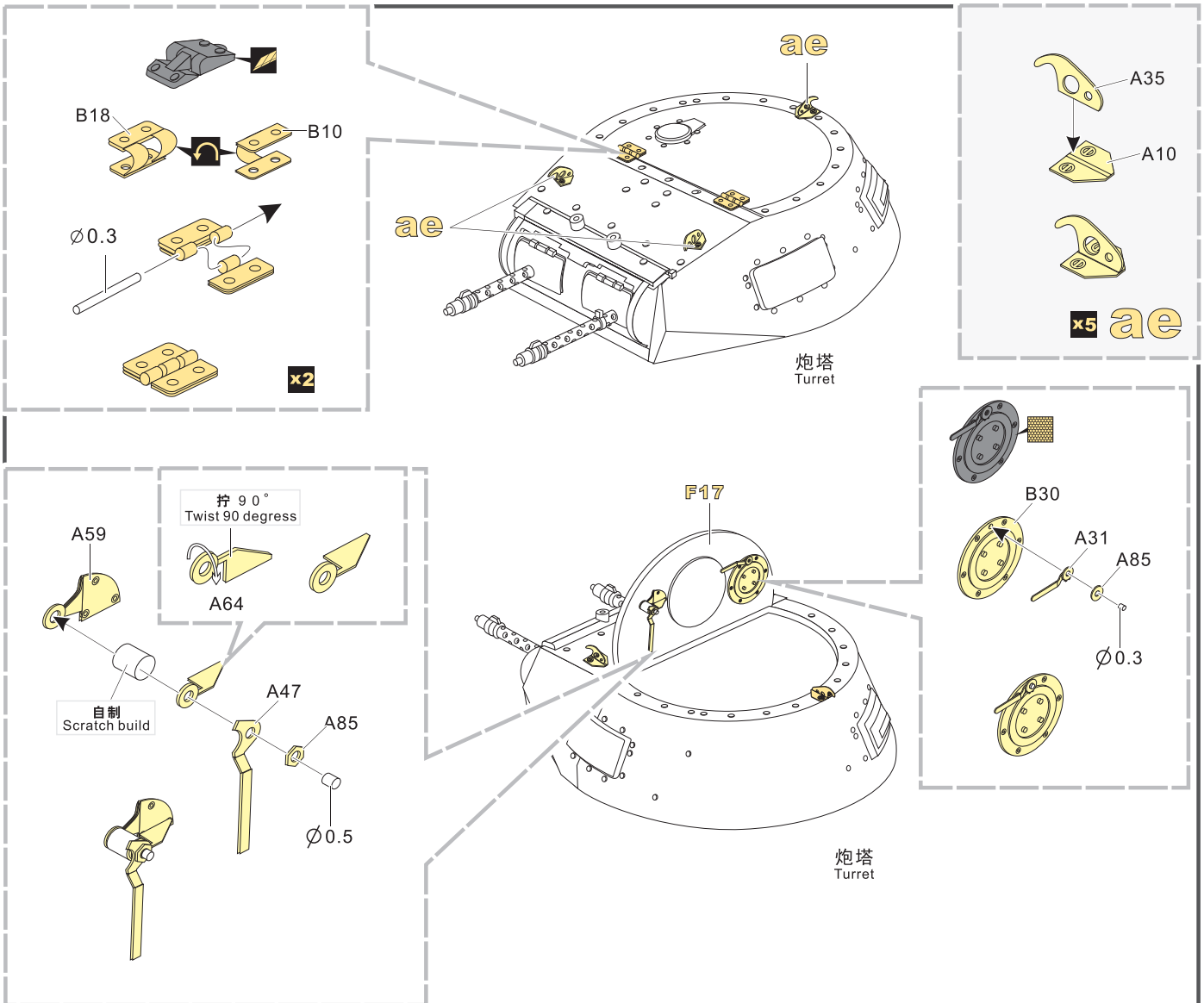
■ 推荐使用工具 RECOMMENDED TOOLS



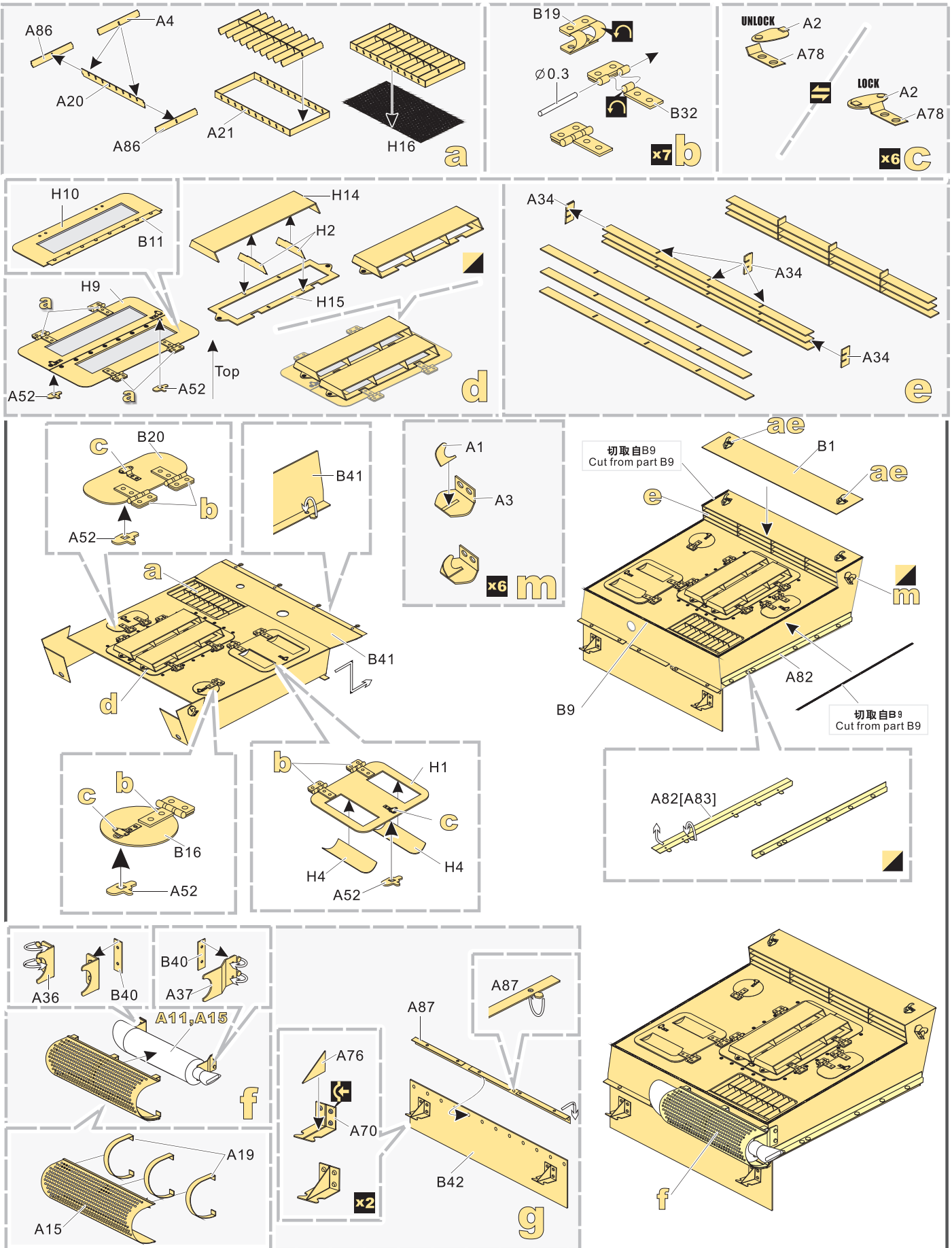
- 安装
install
- 折叠
bend
- A1**
改造件零件编号
PE/resin part number
- B12**
原零件编号
kit part number
- C22**
被替换的原零件编号
replaced kit part number
- 另一侧相同制作
repeat on opposite side
- 切除
remove
- 打磨
grind off
- 弧度卷曲
radial bending
- x2**
制作若干组
multiple assembly
- 选择安装
alternative
- 钻孔
drill
- 用胶棒制作
make from plastic rod

用尖端在凹槽处冲压
use penpoint to press on the dent

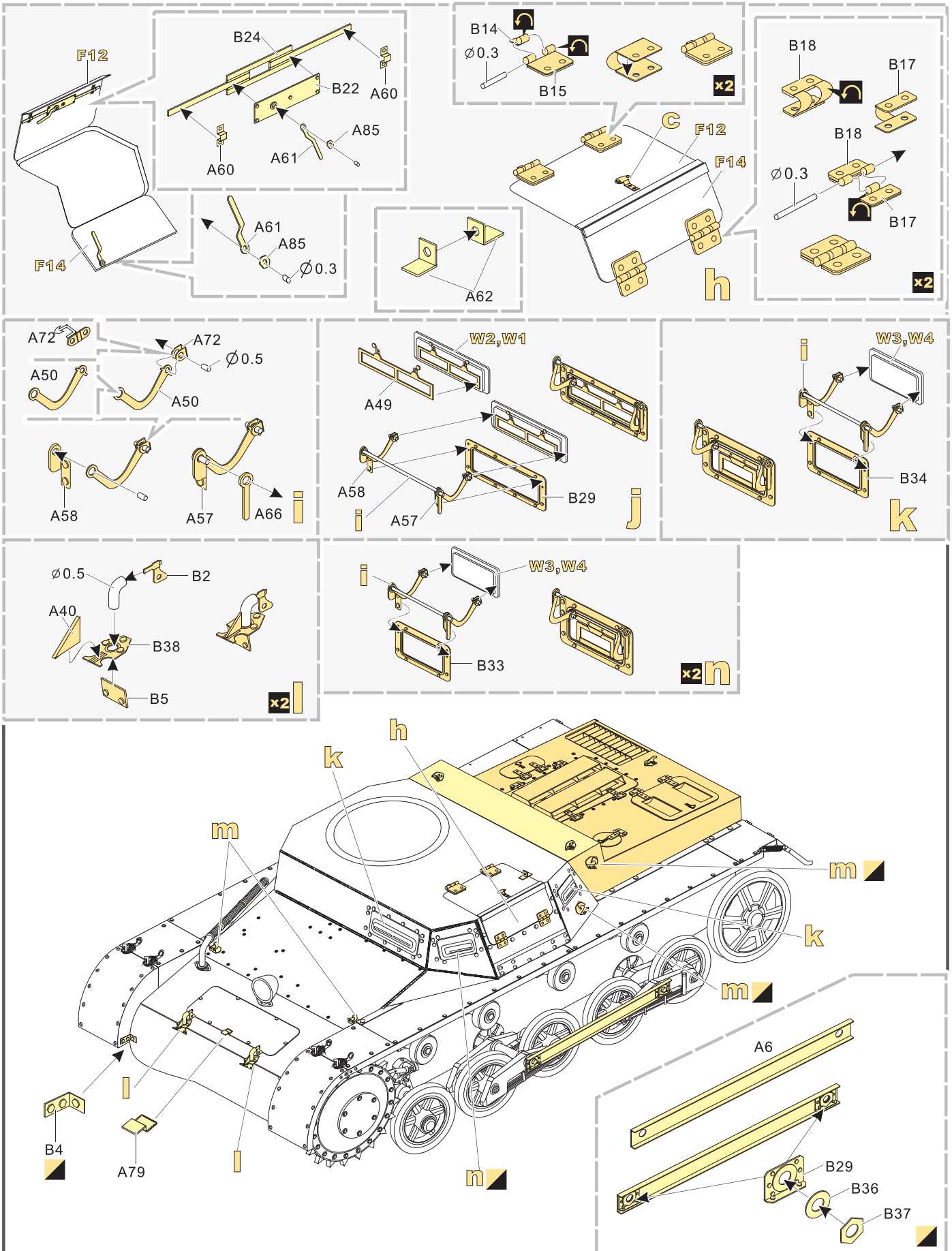
蚀刻片零件内侧面向上
Put the part upside down
 用笔尖在凹槽处刺
Use penpoint to press on the dent



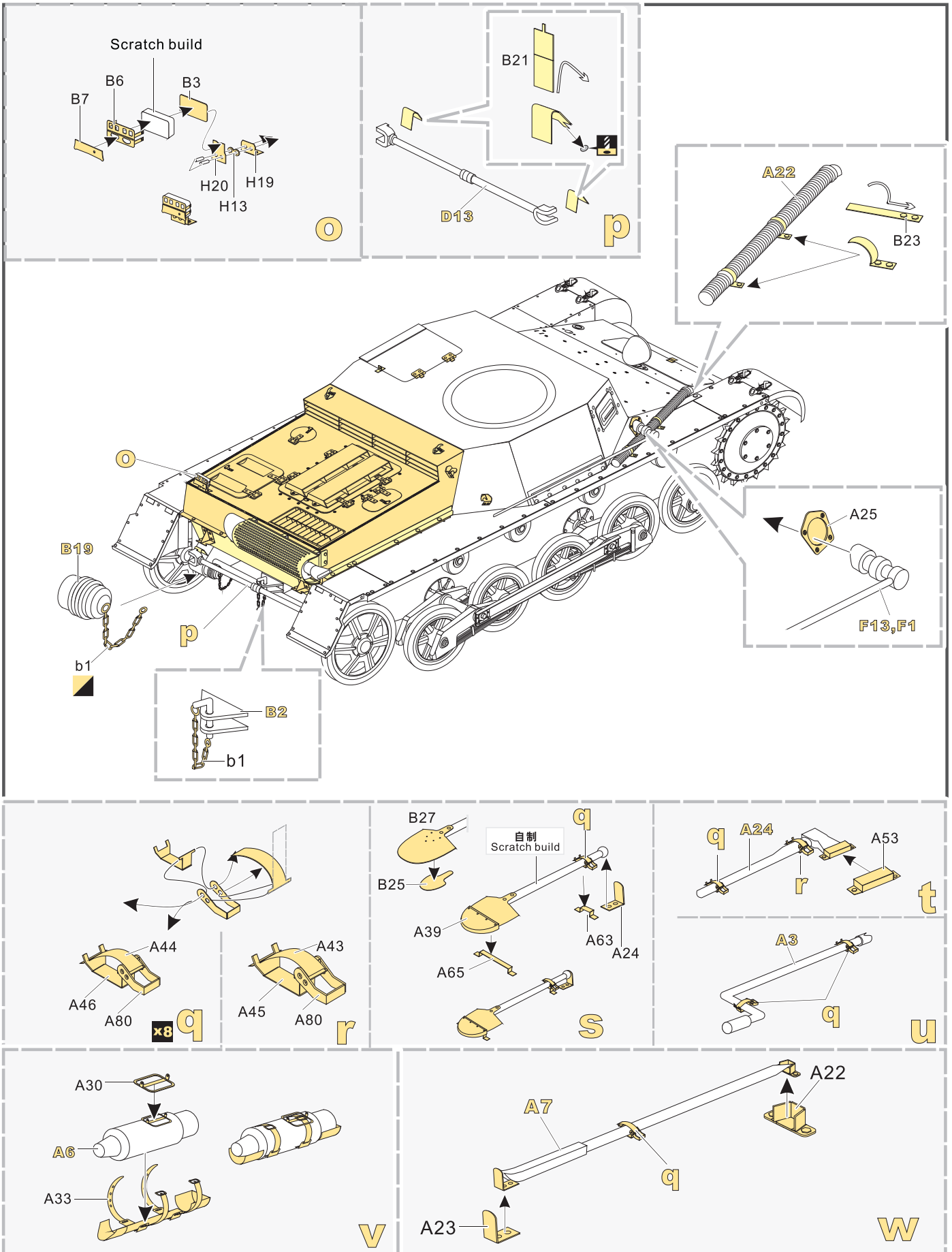
1/35 MILITARY MINIATURE VEHICLE UPGRADE SERIES PE35289



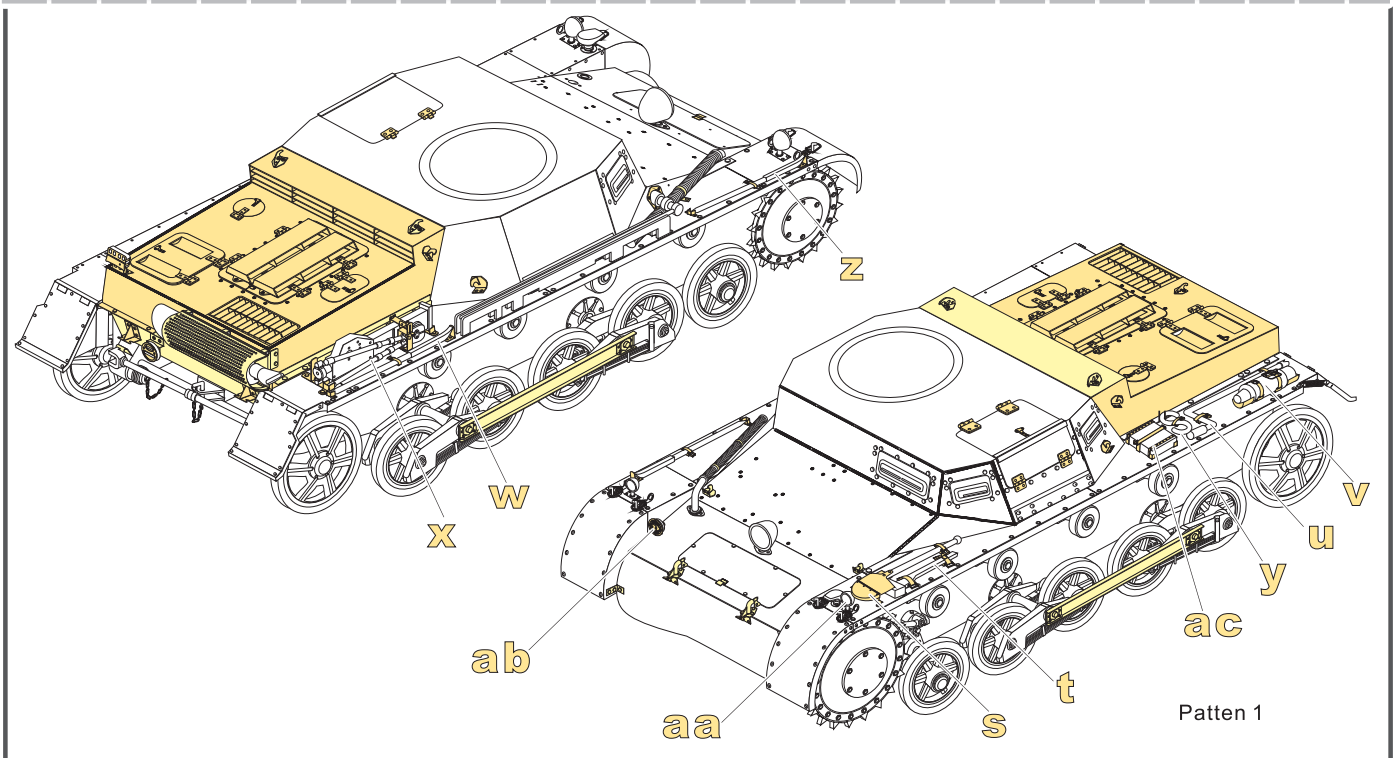
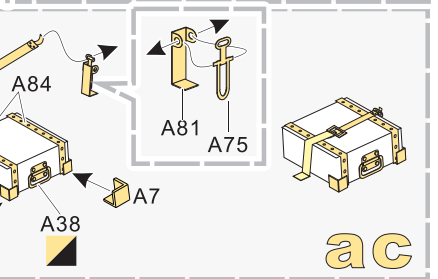
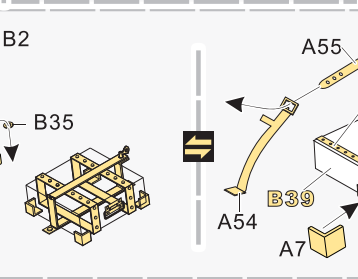
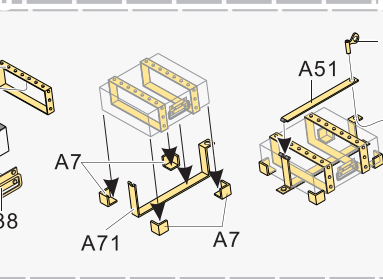
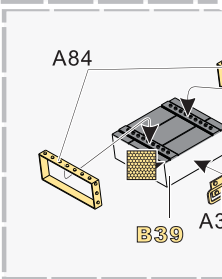
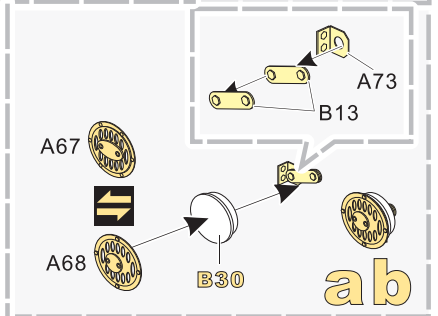
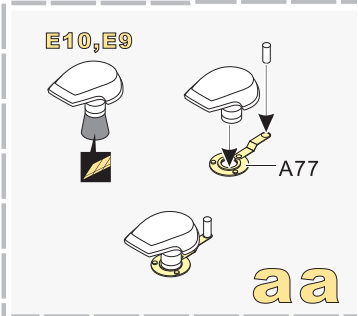
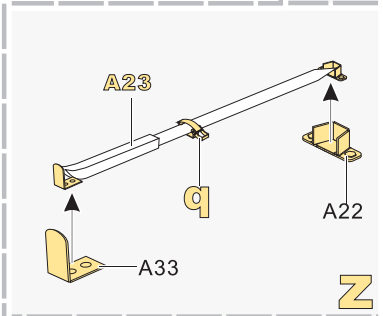
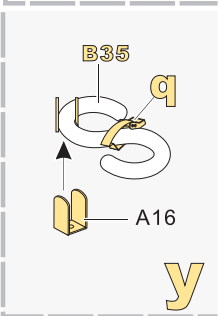
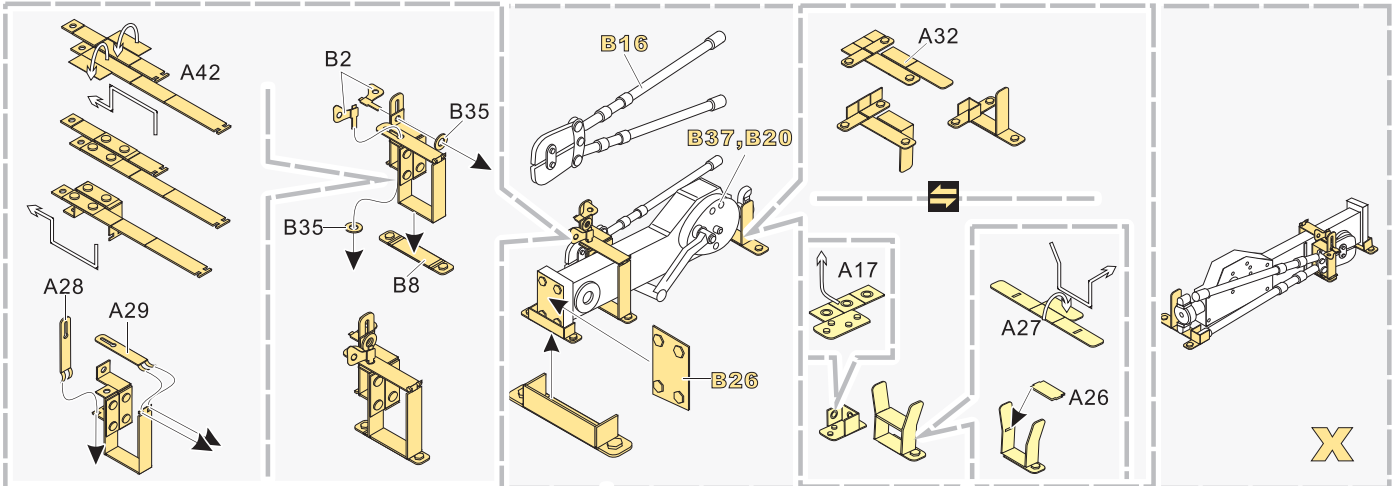
1/35 MILITARY MINIATURE VEHICLE UPGRADE SERIES PE35289



1/35 MILITARY MINIATURE VEHICLE UPGRADE SERIES PE35289



1/35 MILITARY MINIATURE VEHICLE UPGRADE SERIES PE35289

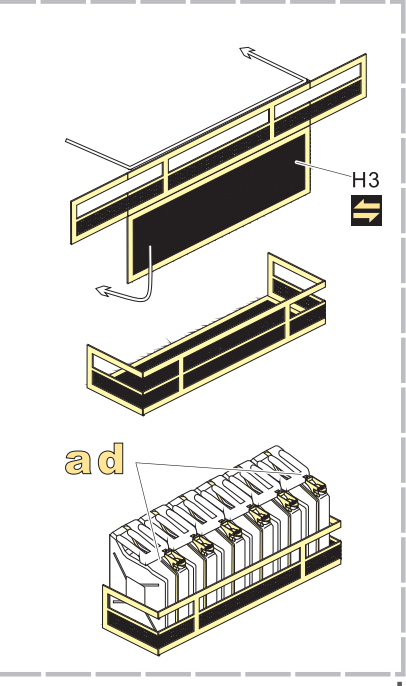
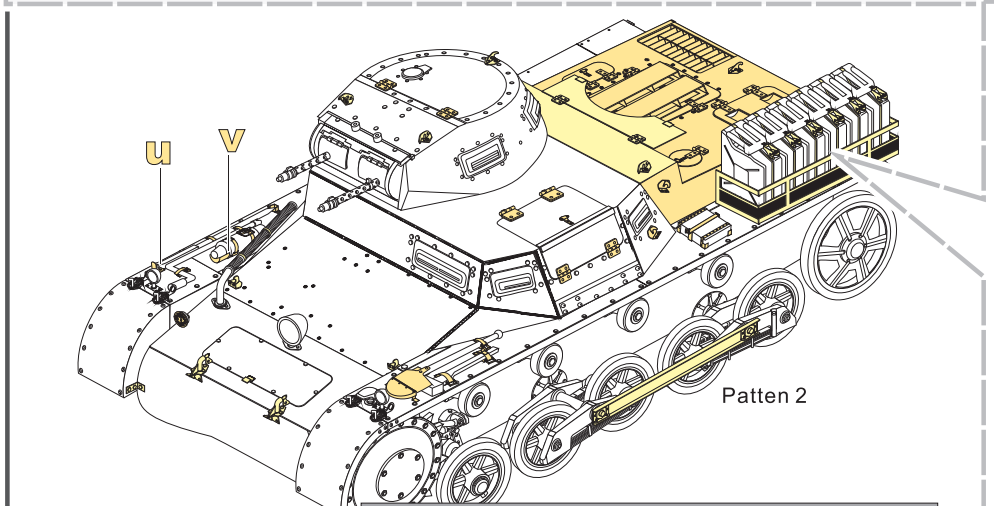
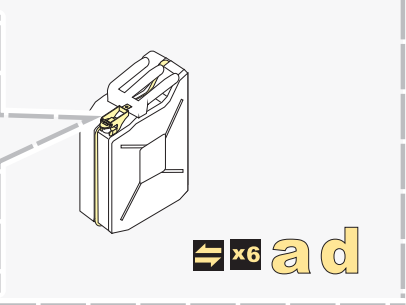
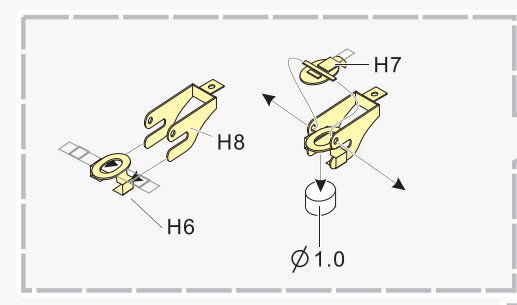
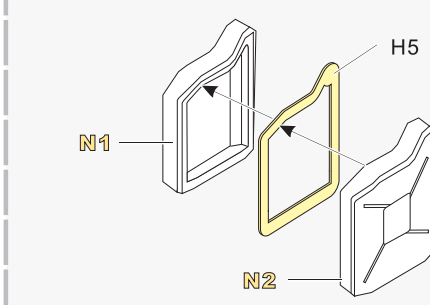
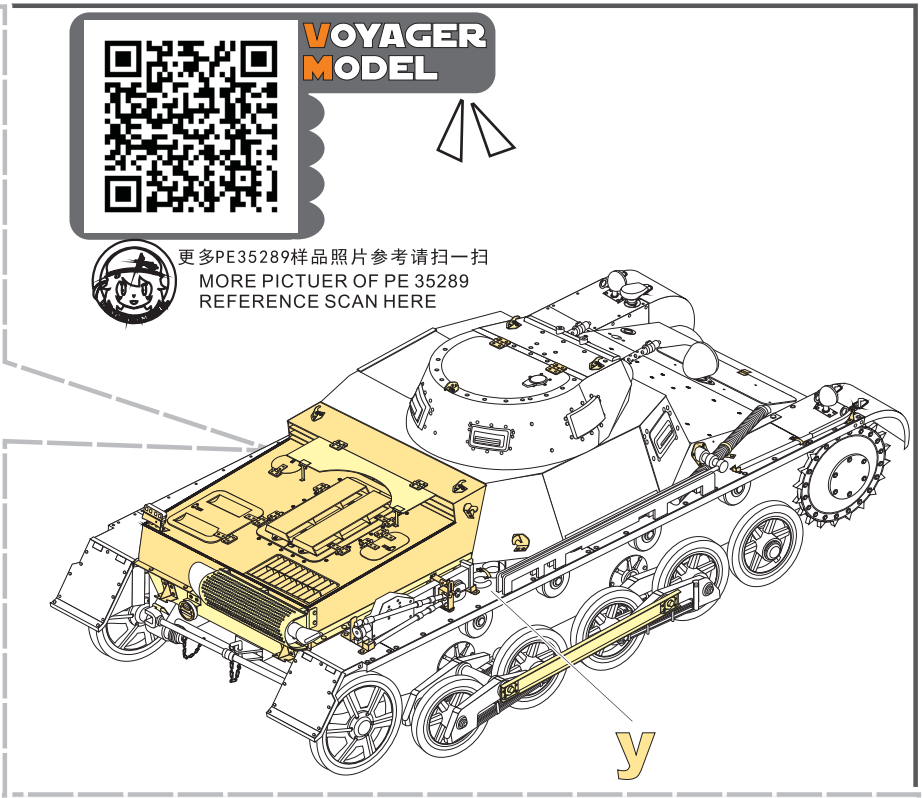
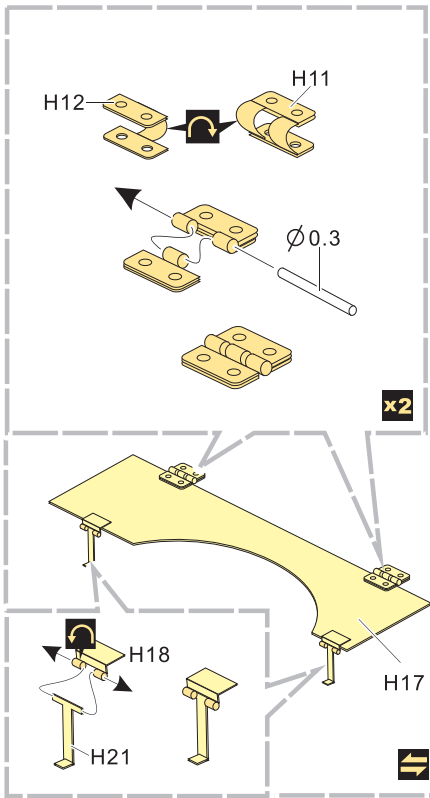


Patten 1

1/35 MILITARY MINIATURE VEHICLE UPGRADE SERIES PE35289



更多PE35289样品照片参考请扫一扫
MORE PICTUER OF PE 35289
REFERENCE SCAN HERE



VOYAGERMODEL® 完 美 不 至 极 尽 享 受
The Best Upgrade Solution

Recommended item	
PE 35433	WWII German PzKpfw I Ausf C(VK601) w/smoke discharger
PE 35593	WWII German Pz.Kpfw.I Ausf.F (Late version)
PE 35576	WWII German Pz.Kpfw.I Ausf.F (early version)
PE 35492	WWII German Pz.Kpfw.I Ausf. B basic
PE 35201	WWII German Pz.Kpfw.I Ausf.A
PE 35202	WWII German Pz.Kpfw.I Ausf.A Fenders
PE 35203	WWII German Pz.Kpfw.I Ausf.A Flakpanzer I
PE 35440	WWII German 47mm PaK(t) Panzerjager I early version basic