

FOR EXPERIENCED MODELMAKERS

DETAIL SET FOR AIRCRAFT PLASTIC KIT

ME 262 B-1A
TRAINER FIGHTER

SADA DETALU PRO
PLASTIKOVY MODEL LETADLA

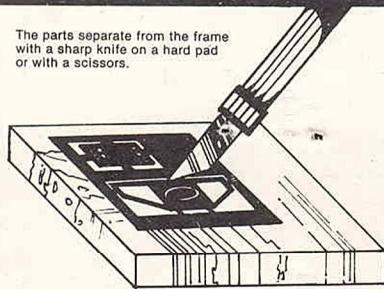
72-085



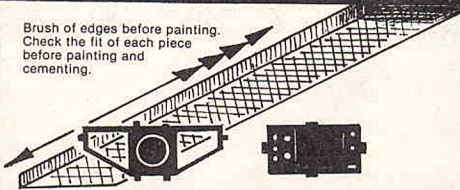
eduard



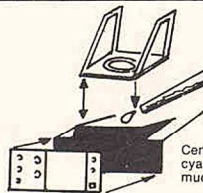
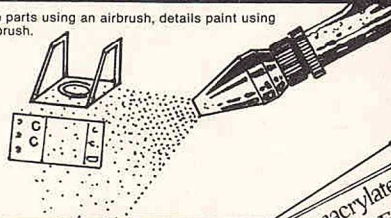
The parts separate from the frame with a sharp knife on a hard pad or with a scissors.



Brush of edges before painting. Check the fit of each piece before painting and cementing.



Paint the parts using an airbrush, details paint using a small brush.



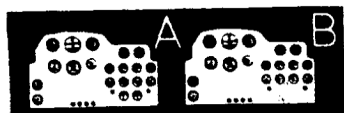
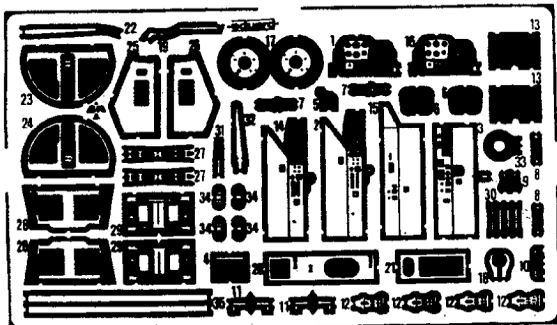
Cement parts on the model with cyanoacrylate only. Do not use too much cement to join parts.

EDUARD
P.O. BOX 17a
434 01 MOST

MADE IN
CZECHOSLOVAKIA

Me 262B-1a Trainer Fighter

1/72 Scale detail set
Recommended kit: Hasegawa



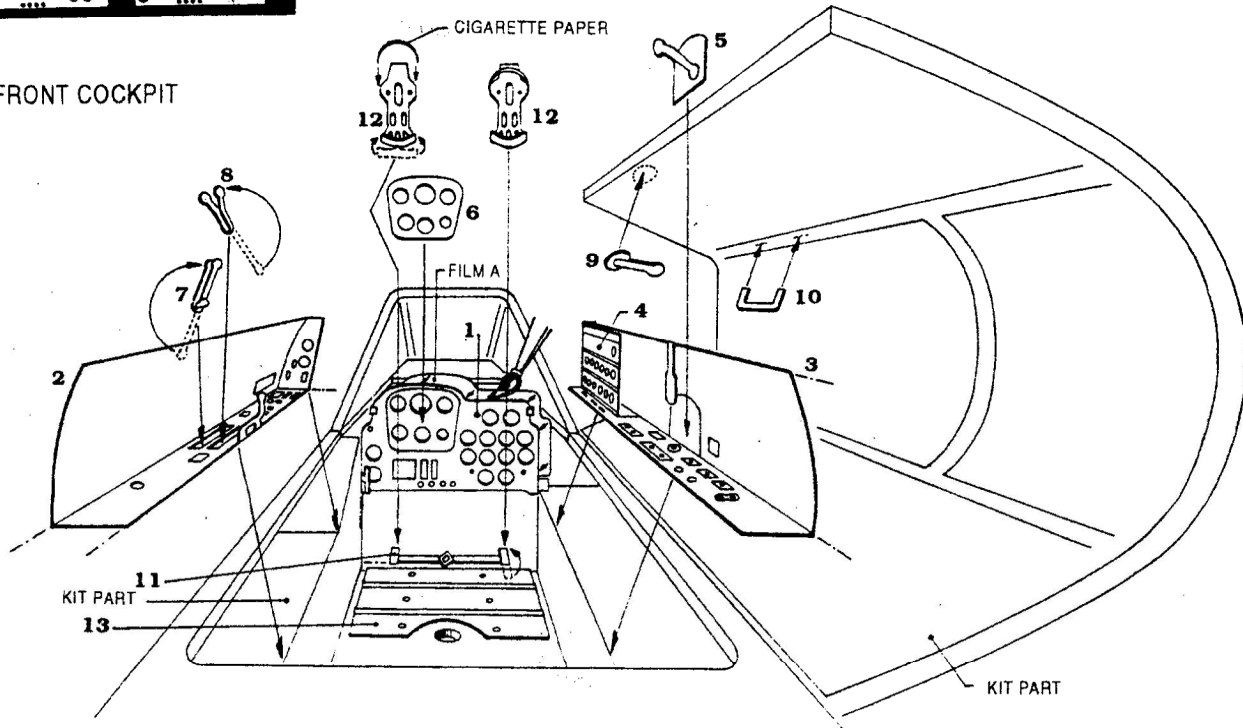
CAUTION!

Photo-etched parts can only be glued with cyanoacrylate glue. Work in a well ventilated area. Do not inhale vapors since these can be harmful. Wash your hands after using. Find a doctor on an indisposition.

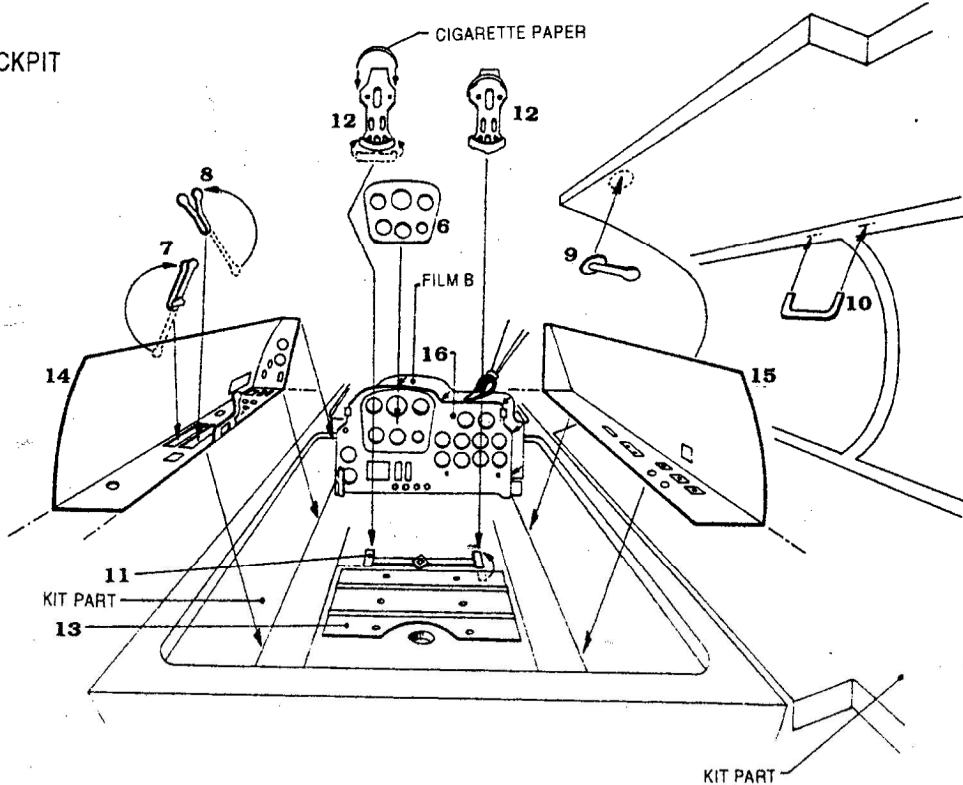
POZOR!

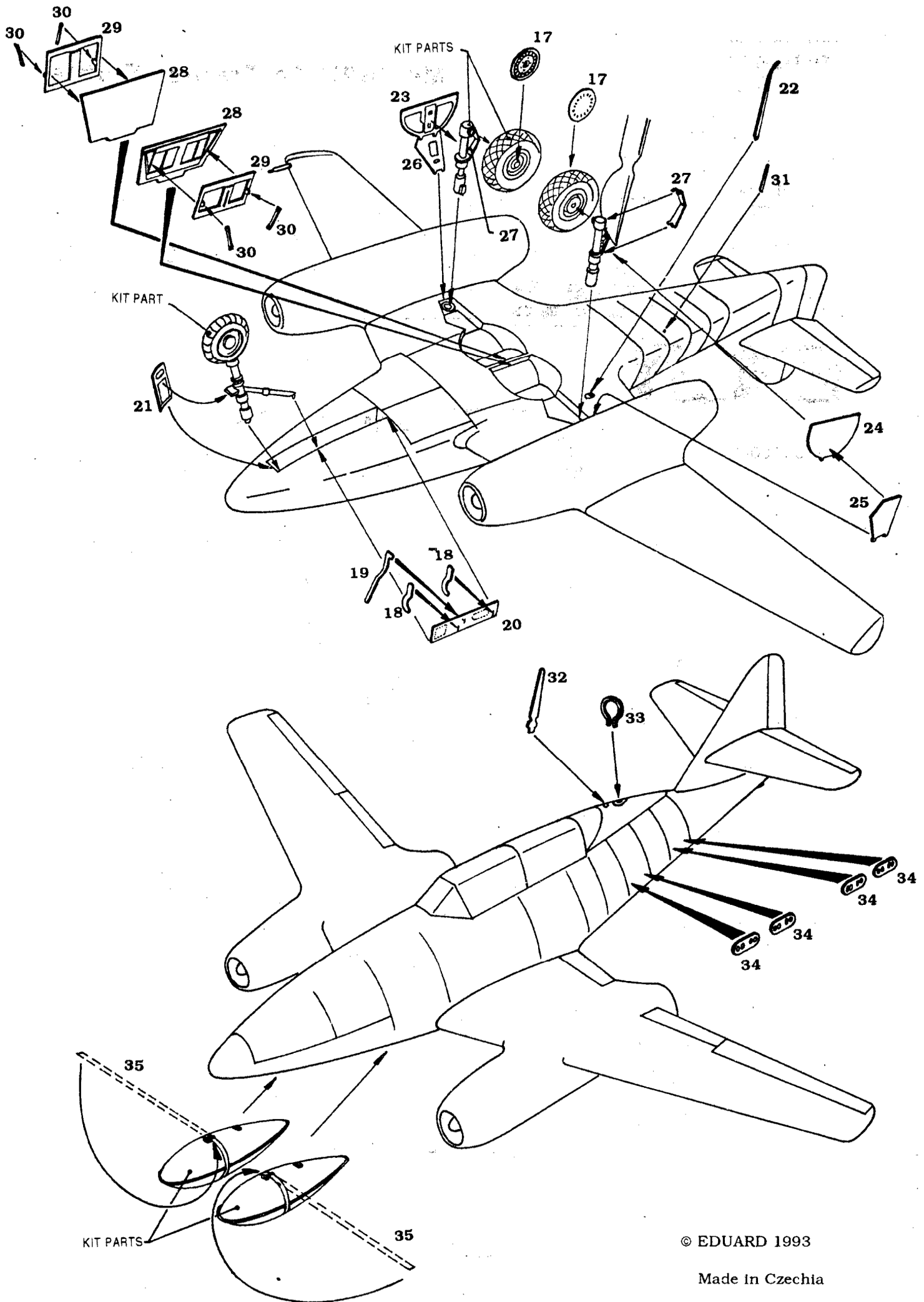
Kovové díly lze lepit pouze kyanoakrylátovými lepidly. Pracujte v dokonale větrané místnosti, vyvarujte se styku pokožky s lepidlem a inhalování výparů. Při nevolnosti vyhledejte lékaře.

FRONT COCKPIT



REAR COCKPIT





© EDUARD 1993

Made in Czechia