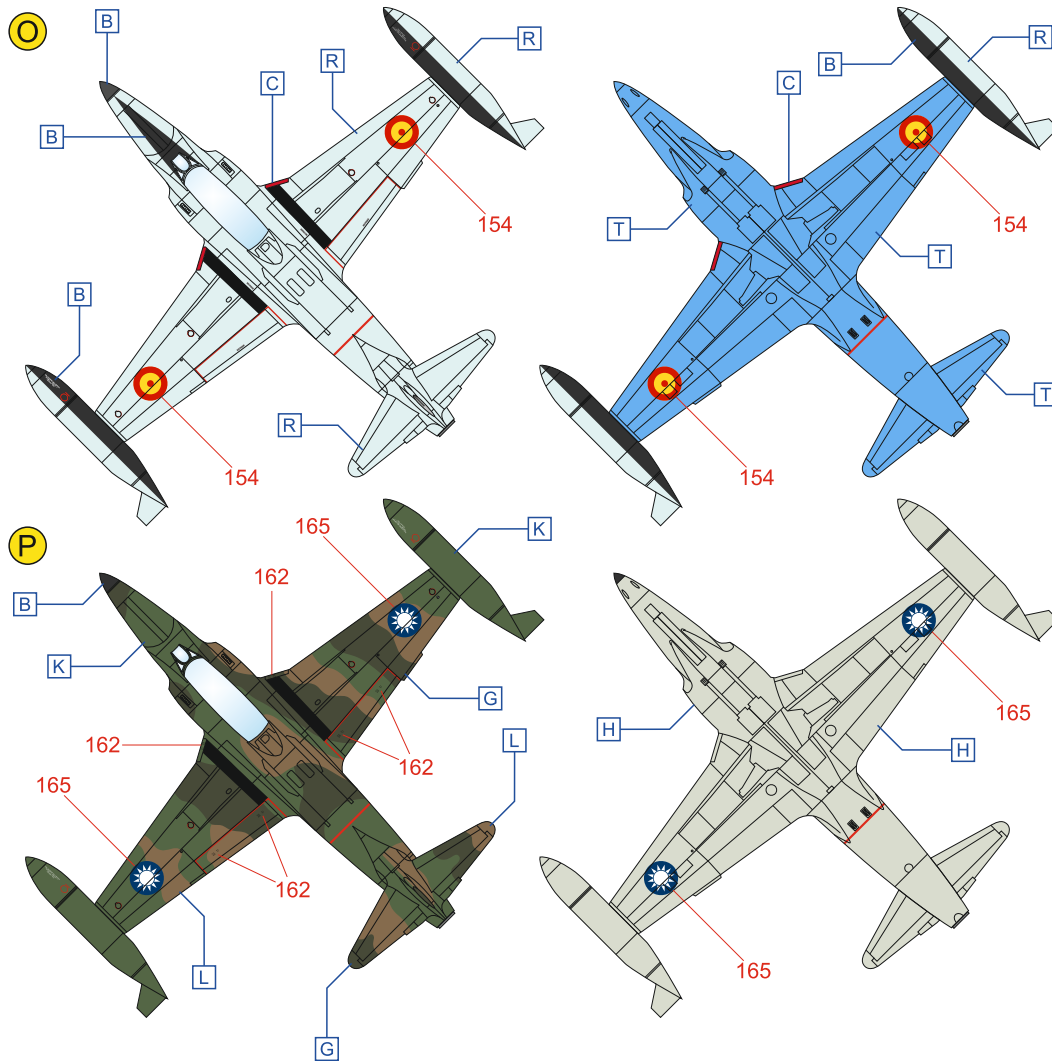


THE SILVER STARS

Lockheed T-33 Silver Star in the World



1/72 decal set - 16 marking options, 14 users worldwide

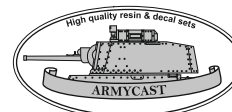


Recommended kit: Sword

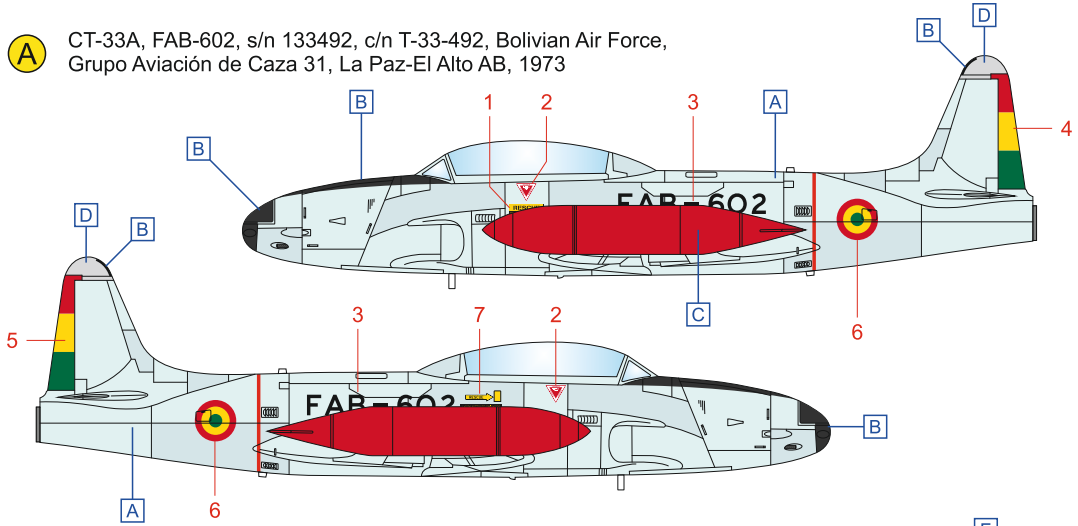
Used colours:

			GUNZE SANGYO Mr. COLOR
A	NATURAL ALUMINIUM		SM 01
B	BLACK MATT	FS 37038	33
C	RED	FS 11105	3
D	GREY	FS 26440	325
E	MIDDLE STONE		21
F	LIGHT GREEN	FS 34424	26 + 312
G	DARK GREEN	FS 34079	309
H	LIGHT GREY	FS 36622	311
I	ORANGE		59
J	MIDDLE GREY	FS 36320	307

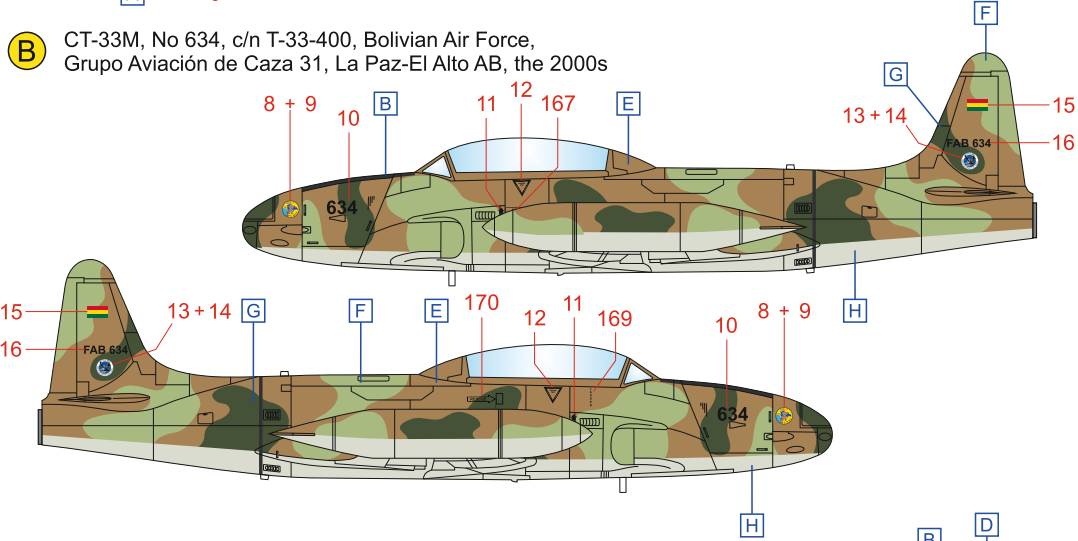
K	OLIVE GREEN	FS 34102	303
L	EARTH	FS 30219	310
M	ORANGE	FS 23538	58
N	STAINLESS STEEL		
O	DARK SEA GREY	BS 381C/638	331
P	BROWN		43
Q	LIGHT BLUE	FS 35466	115
R	ALUMINIUM PAINT		SM 01
S	LIGHT GREY	FS 26495	338
T	AZURE BLUE		34
U	DARK BLUE	FS 25050	328



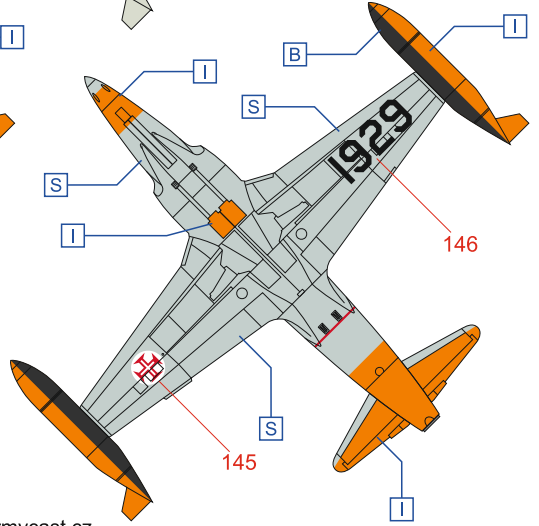
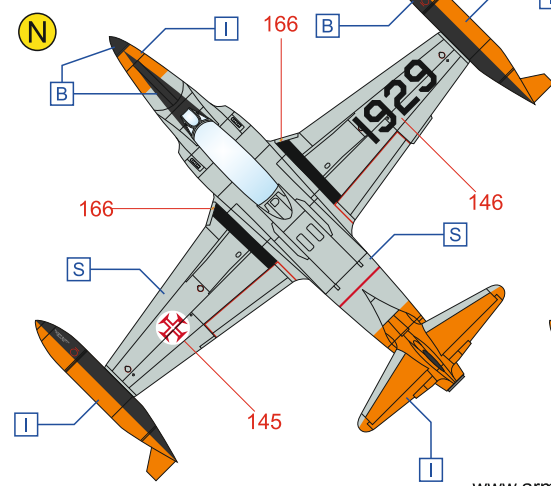
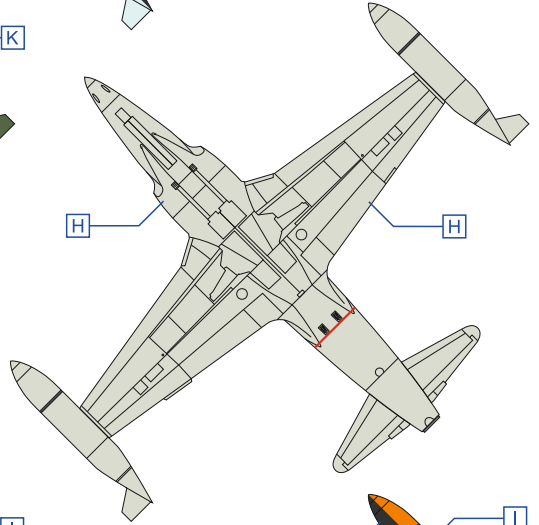
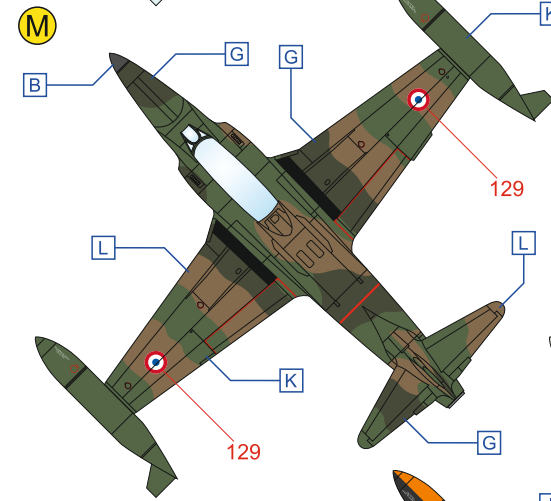
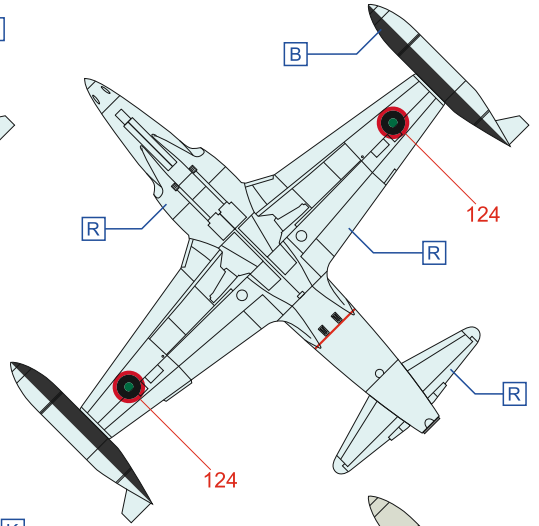
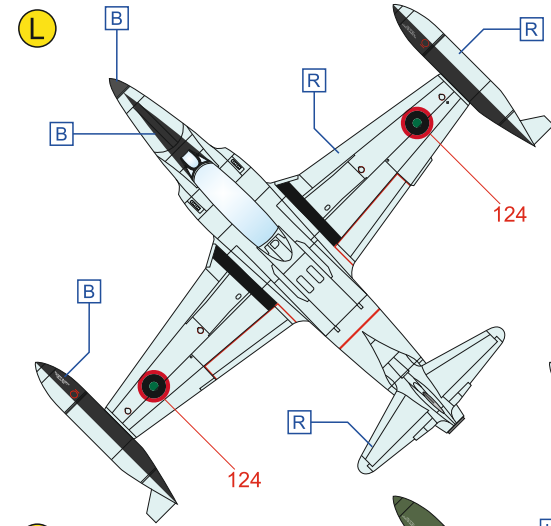
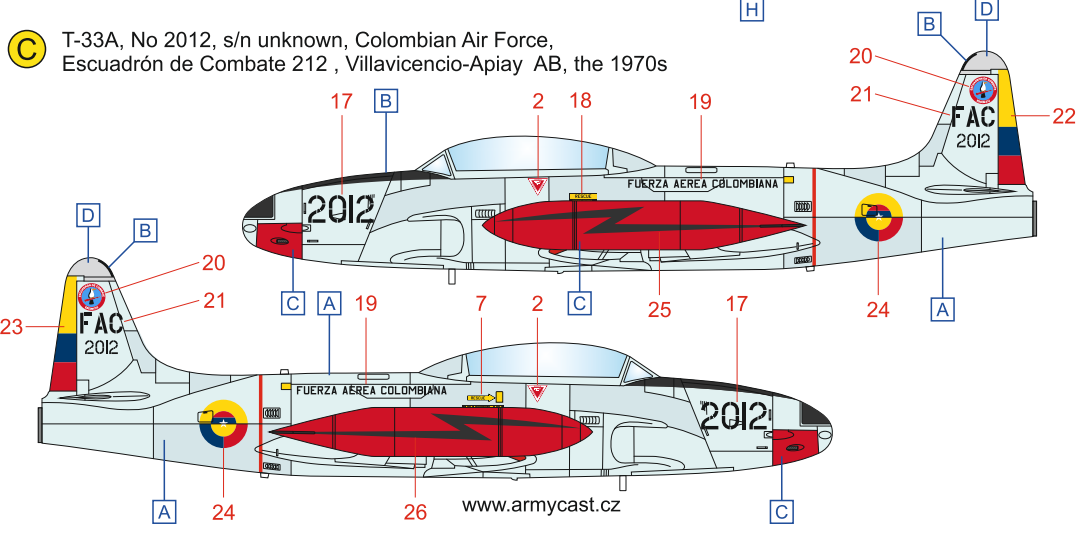
A CT-33A, FAB-602, s/n 133492, c/n T-33-492, Bolivian Air Force, Grupo Aviación de Caza 31, La Paz-El Alto AB, 1973

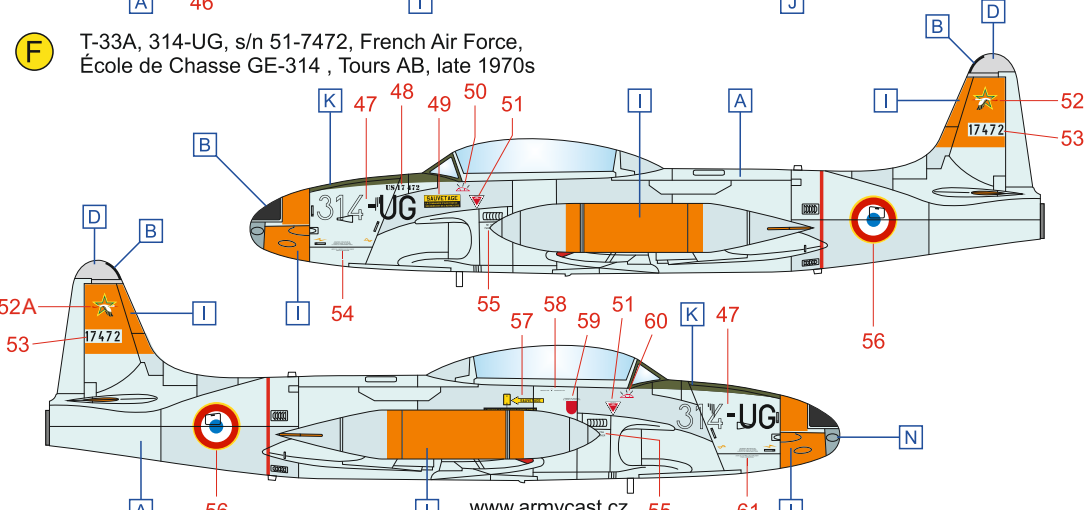
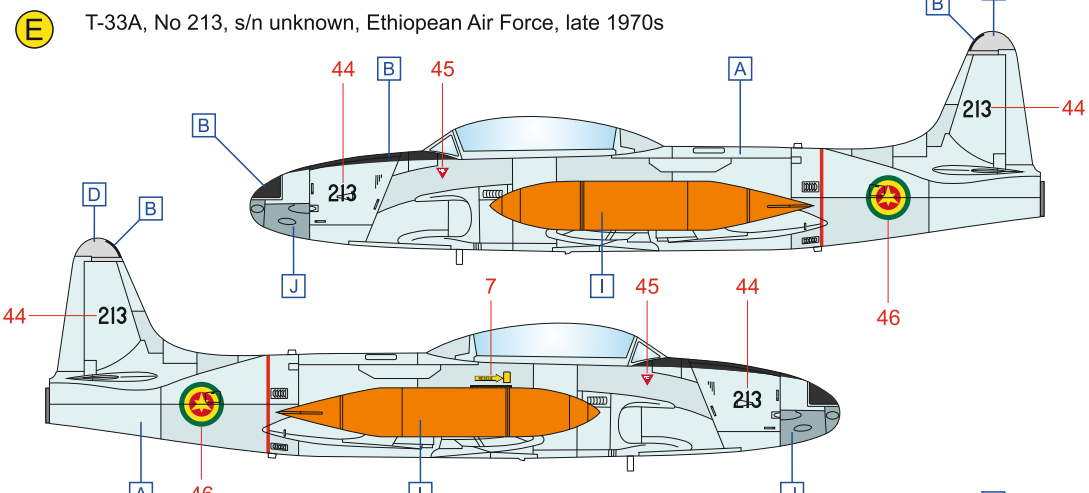
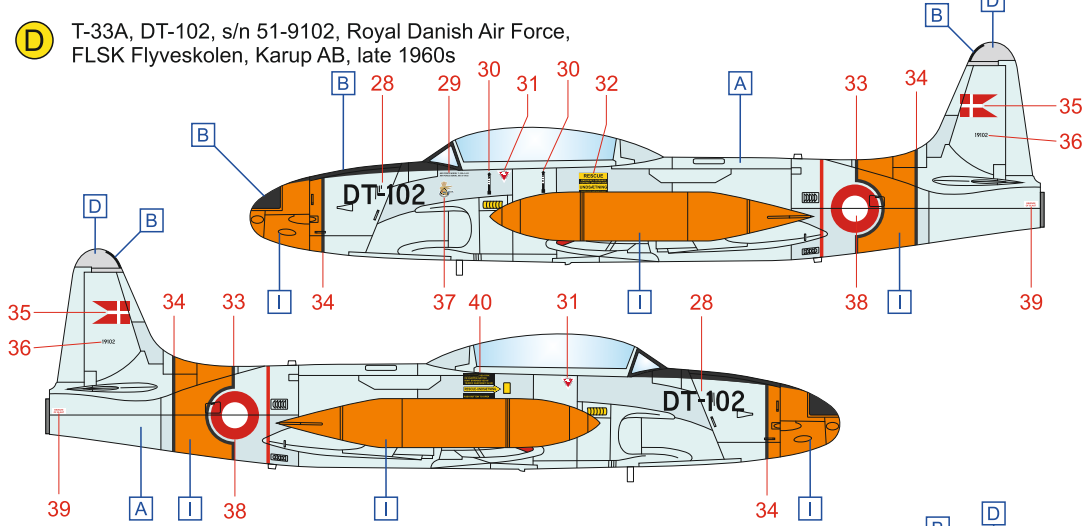
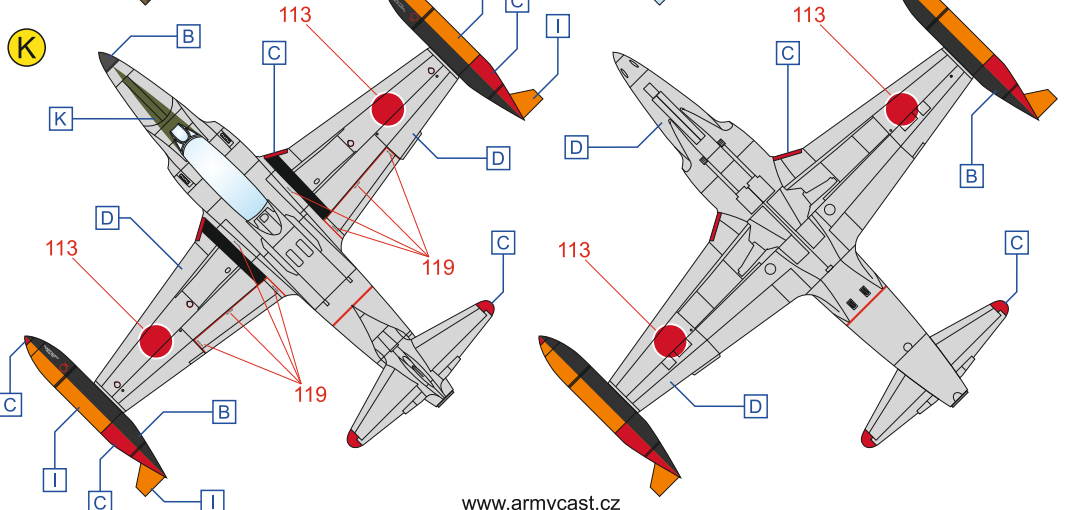
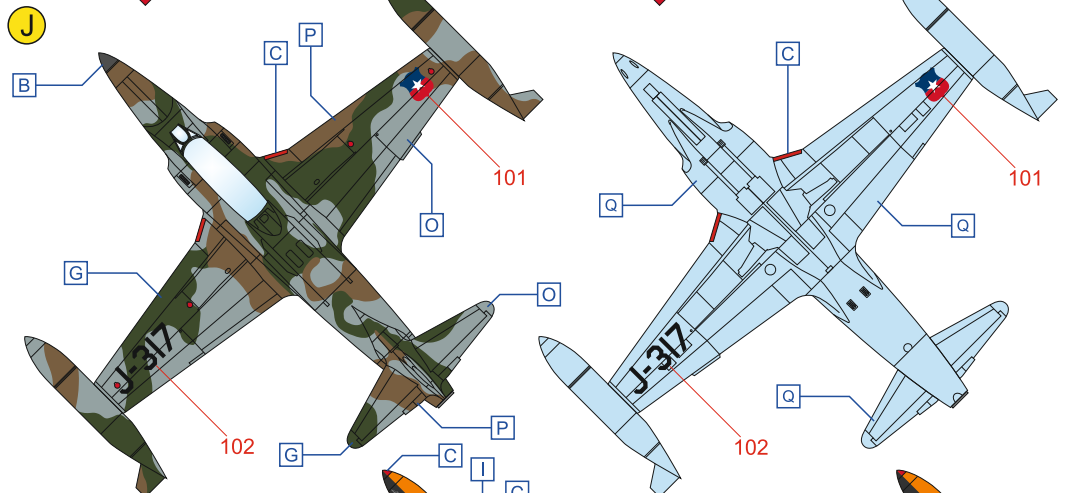
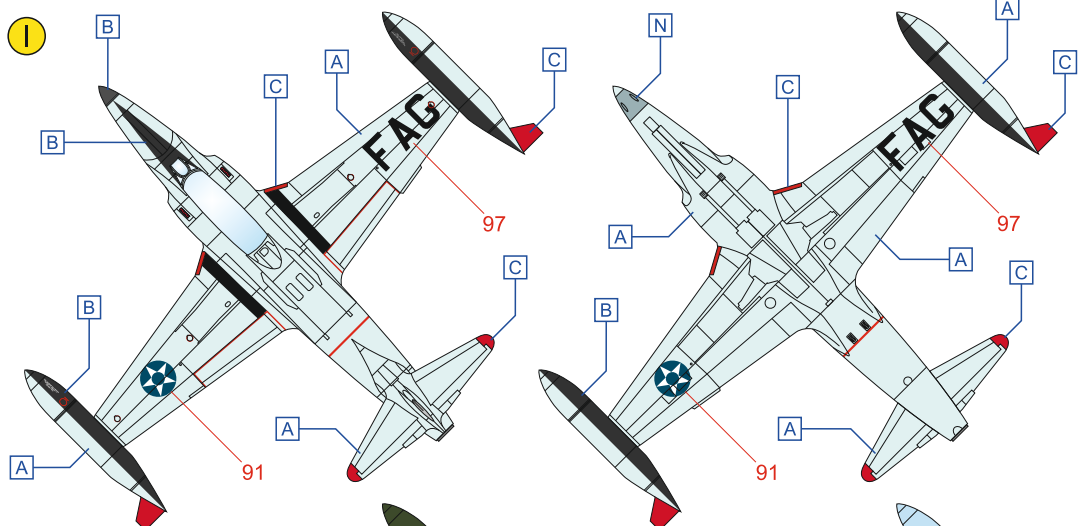


B CT-33M, No 634, c/n T-33-400, Bolivian Air Force, Grupo Aviación de Caza 31, La Paz-El Alto AB, the 2000s

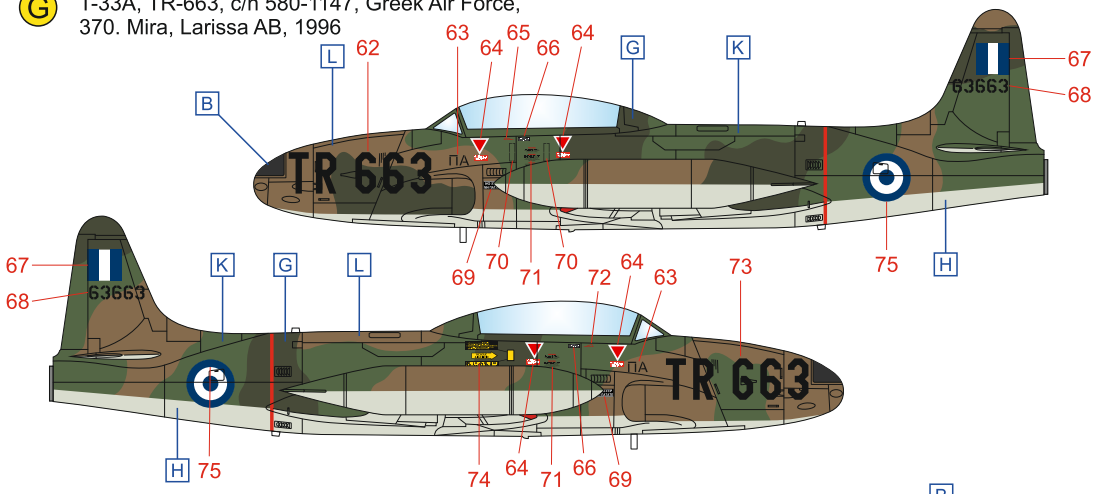


C T-33A, No 2012, s/n unknown, Colombian Air Force, Escuadrón de Combate 212, Villavicencio-Apiay AB, the 1970s

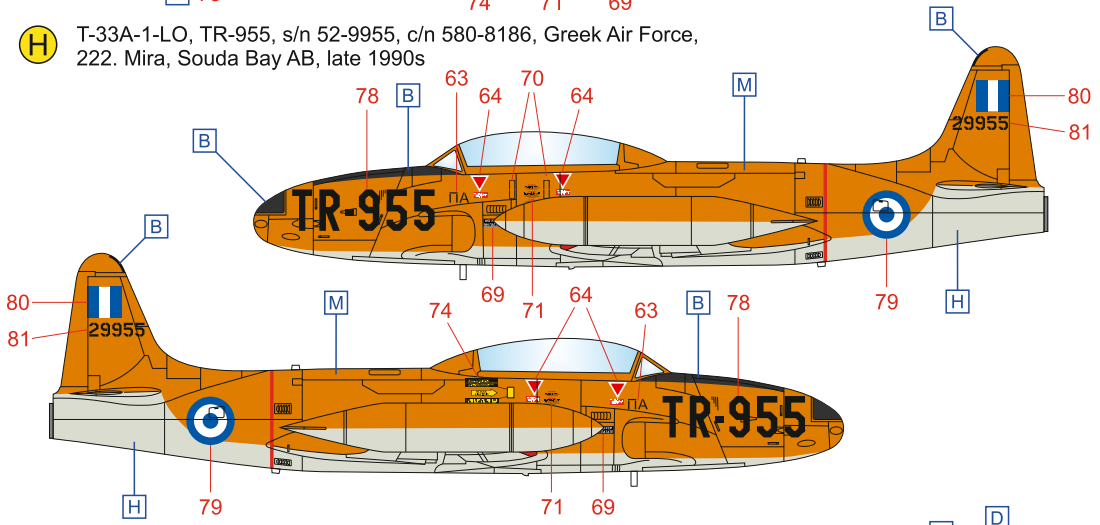




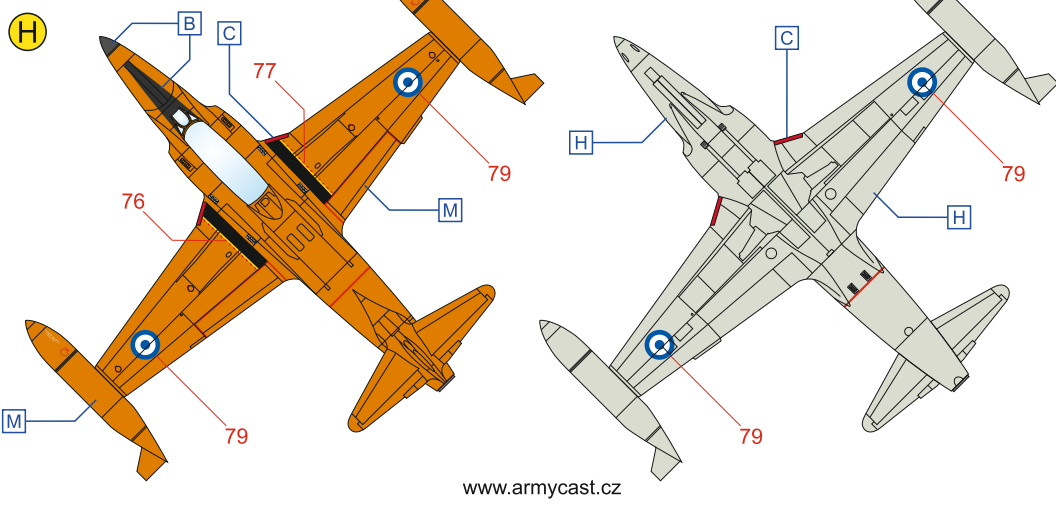
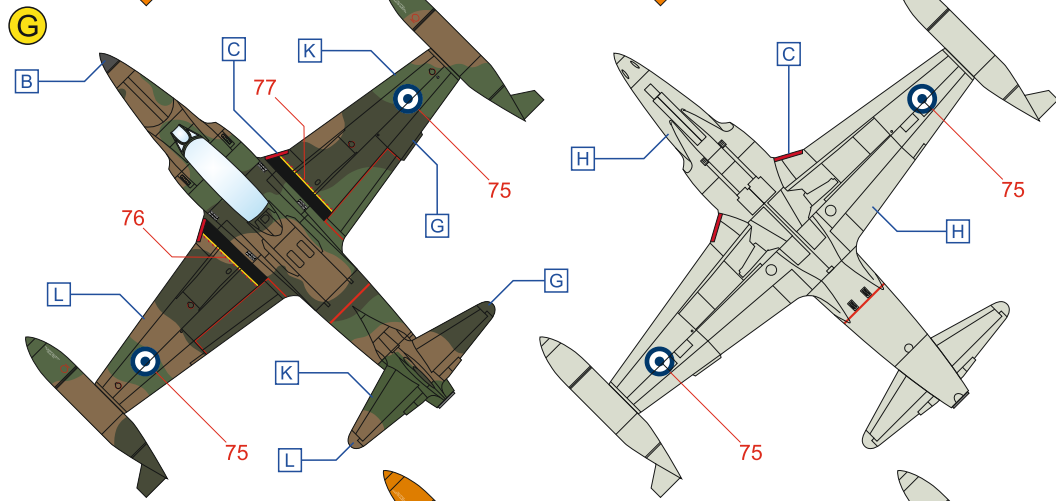
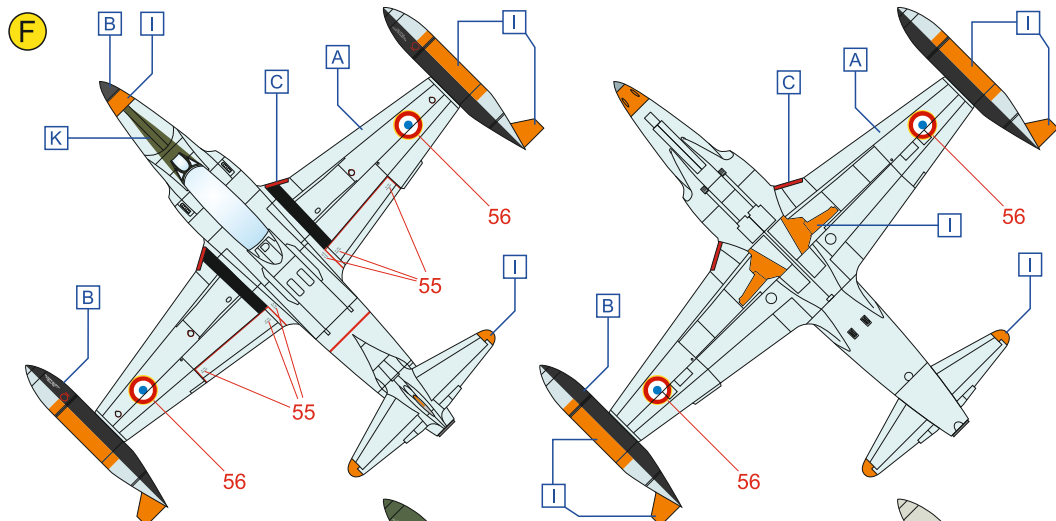
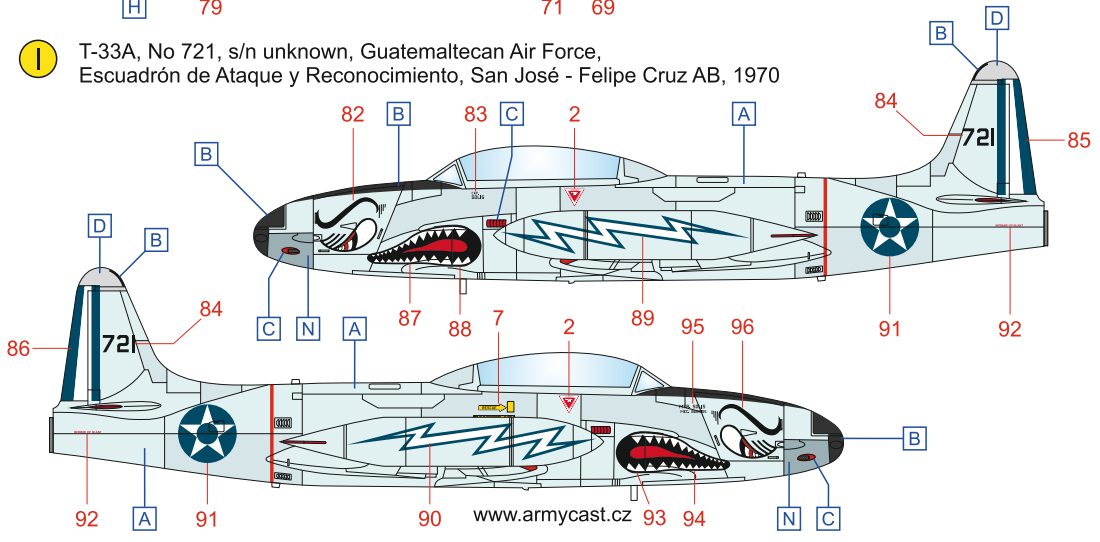
G T-33A, TR-663, c/n 580-1147, Greek Air Force,
370. Mira, Larissa AB, 1996

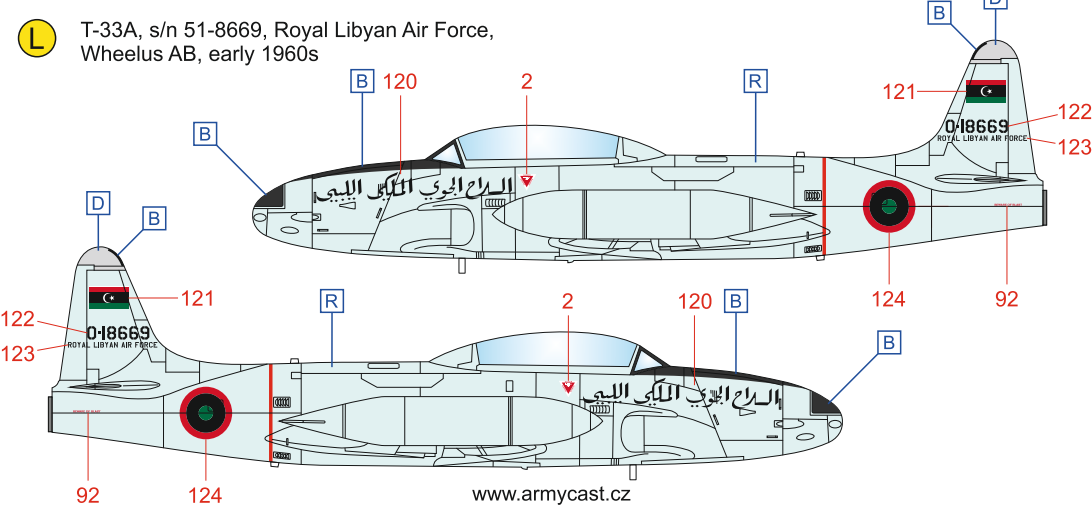
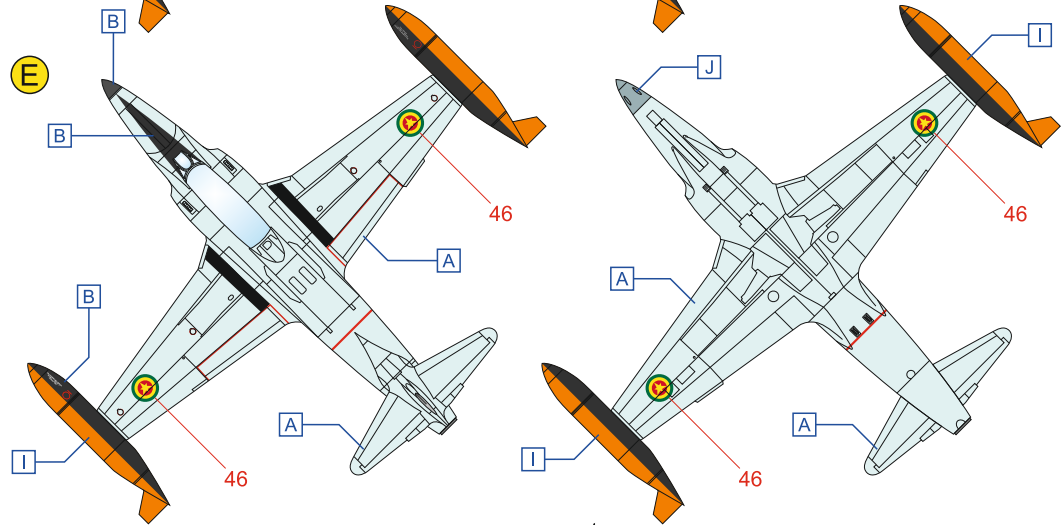
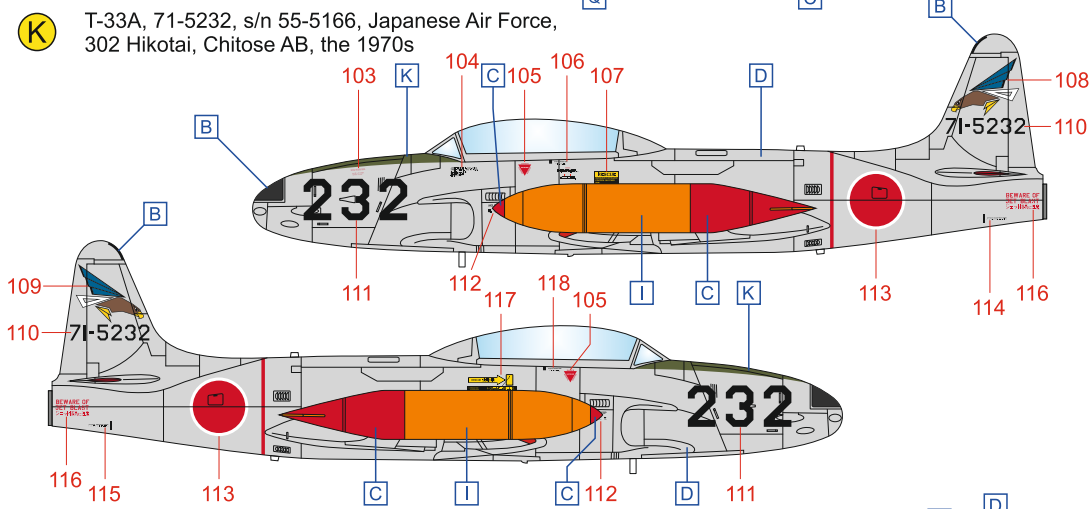
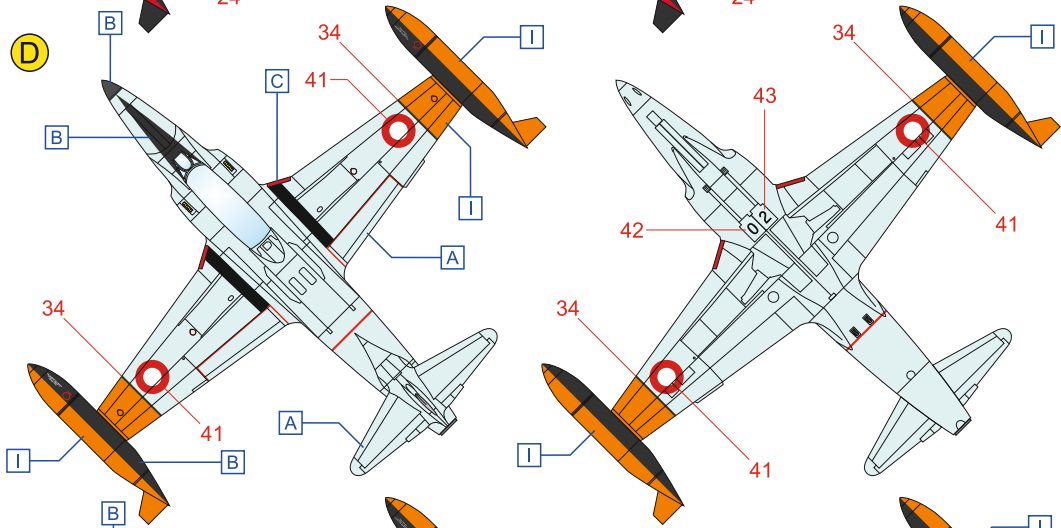
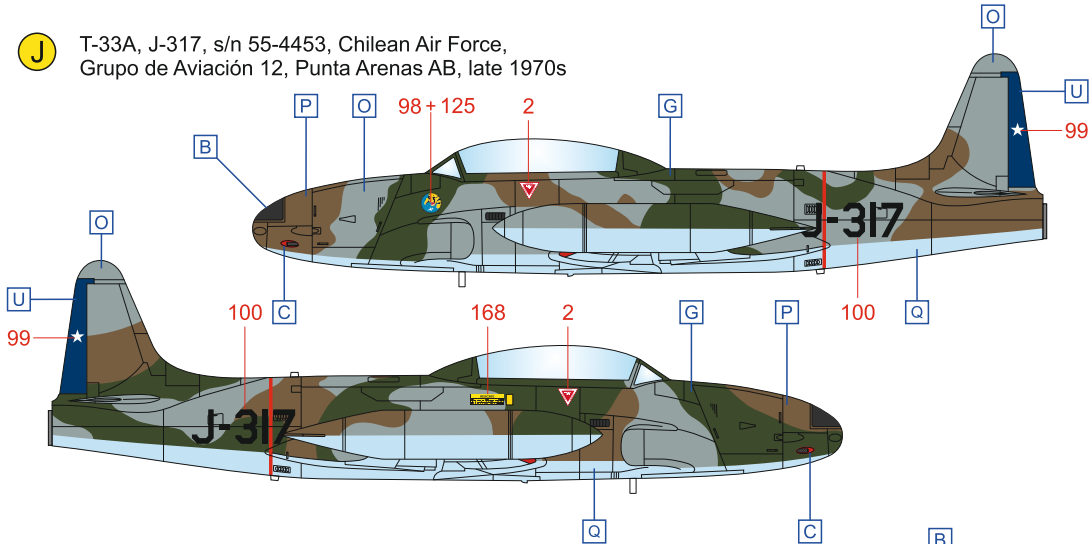
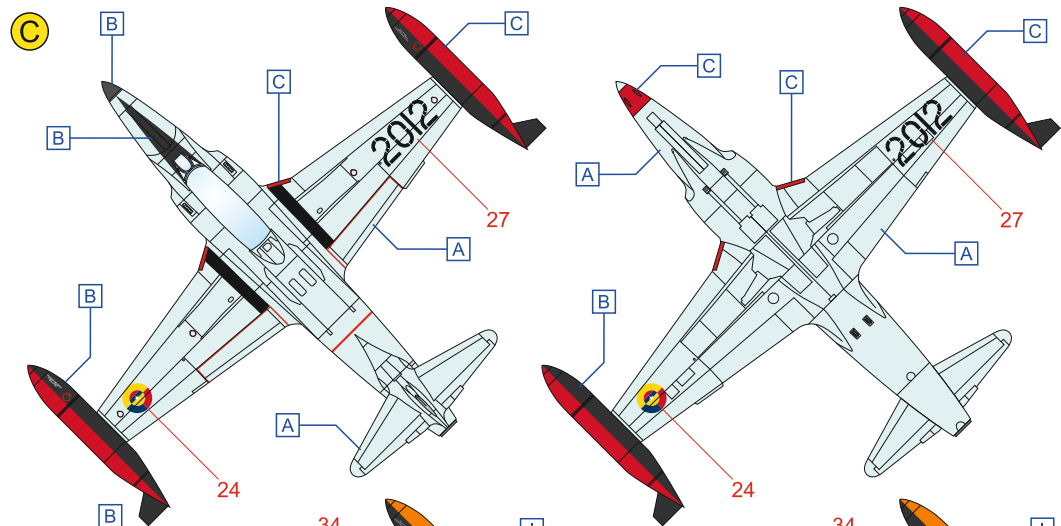


H T-33A-1-LO, TR-955, s/n 52-9955, c/n 580-8186, Greek Air Force,
222. Mira, Souda Bay AB, late 1990s

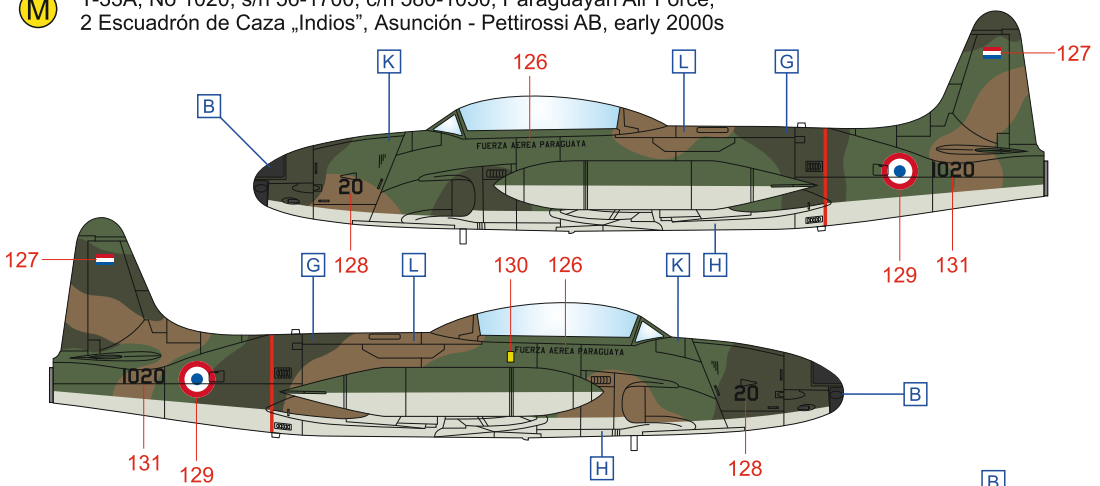


I T-33A, No 721, s/n unknown, Guatemaltecan Air Force,
Escuadrón de Ataque y Reconocimiento, San José - Felipe Cruz AB, 1970

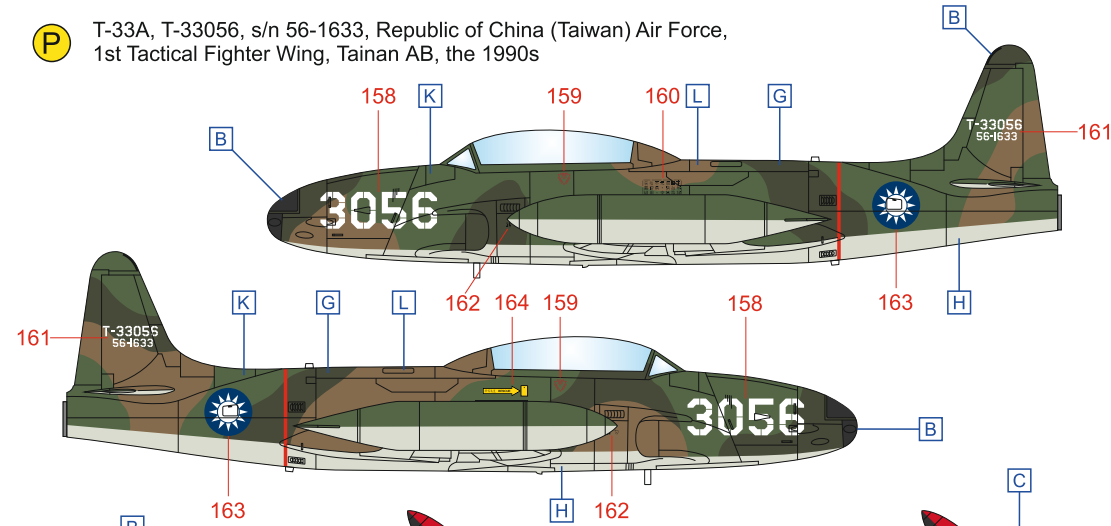




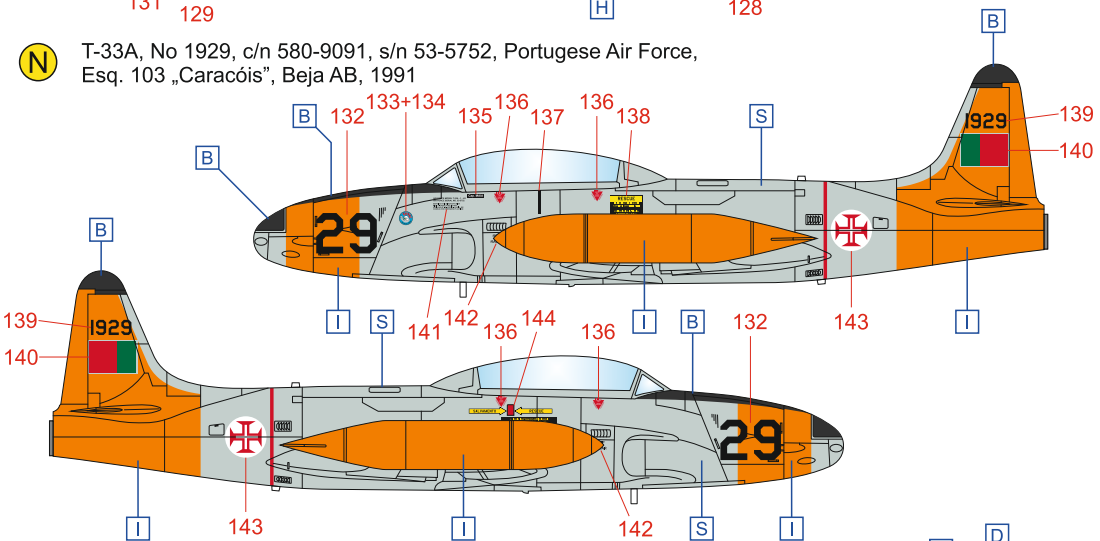
M T-33A, No 1020, s/n 56-1700, c/n 580-1050, Paraguayan Air Force, 2 Escuadrón de Caza „Indios”, Asunción - Pettirossi AB, early 2000s



P T-33A, T-33056, s/n 56-1633, Republic of China (Taiwan) Air Force, 1st Tactical Fighter Wing, Tainan AB, the 1990s



N T-33A, No 1929, c/n 580-9091, s/n 53-5752, Portuguese Air Force, Esq. 103 „Caracóis”, Beja AB, 1991



O T-33A, E.15-50, s/n 52-9871, Spanish Air Force, 41 Grupo de Entrenamiento, Zaragoza AB, the 1970s

