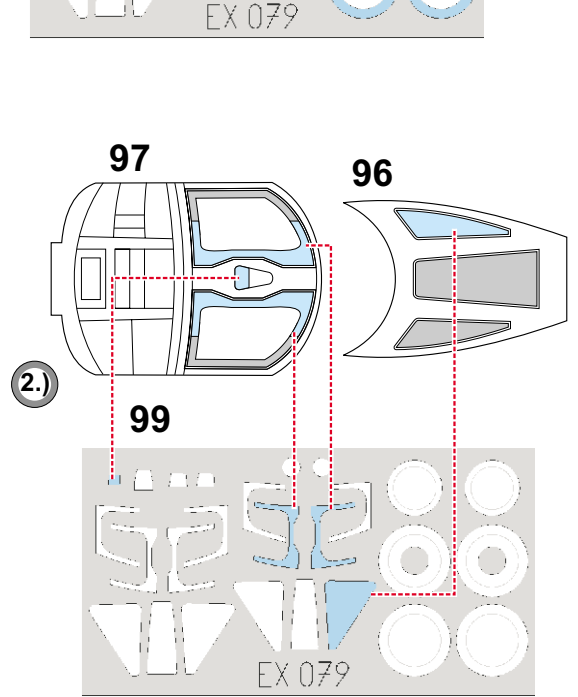
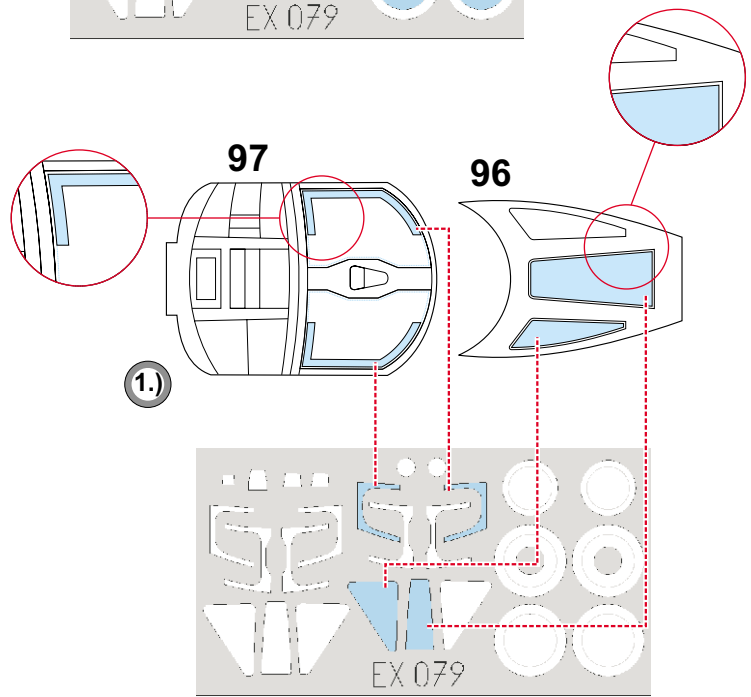
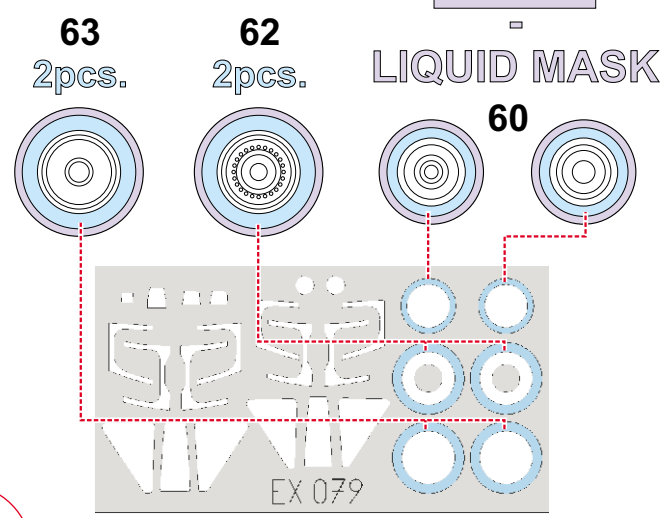
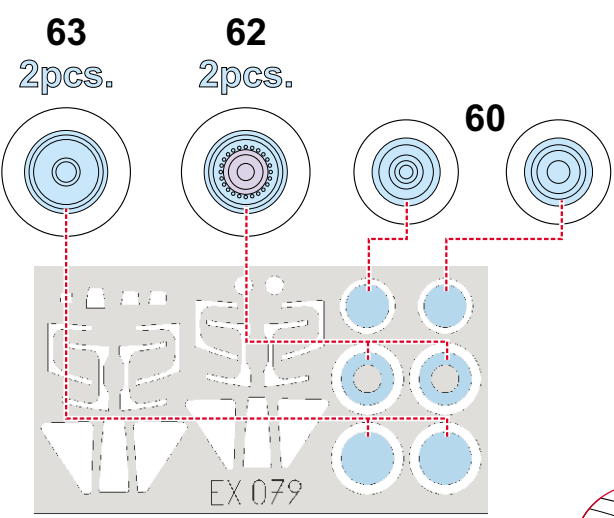
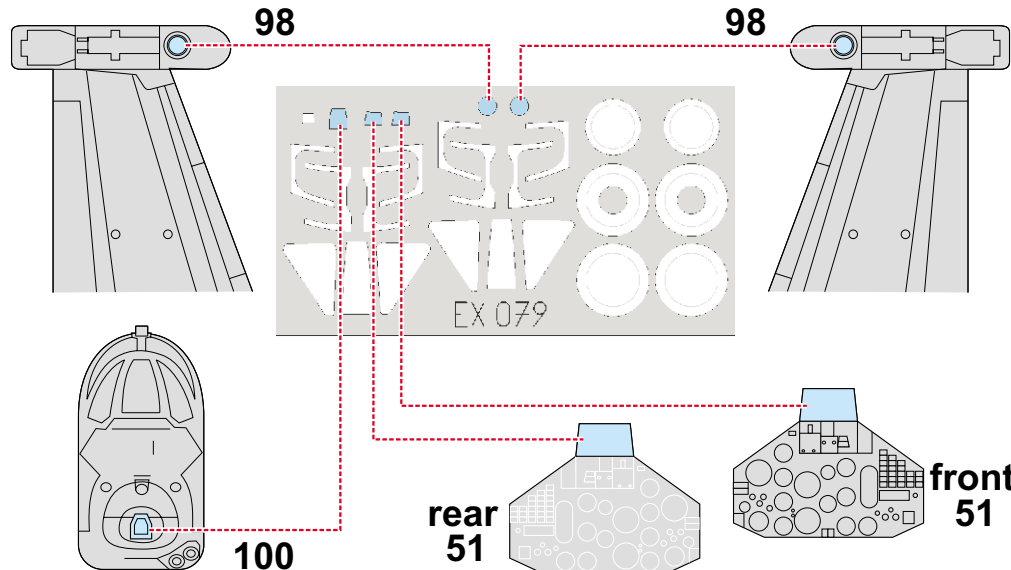
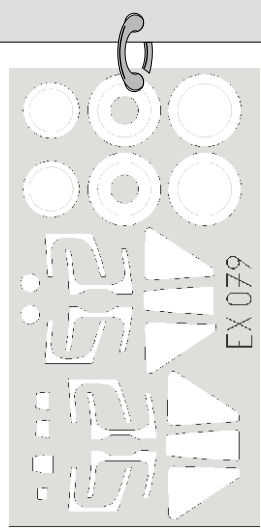


eduard  
MASK

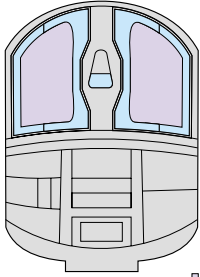
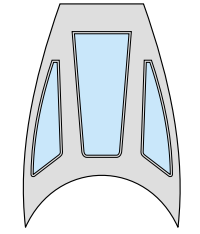
# Su-25K Frogfoot 1/48

The die-cut mask for accurate canopy frame painting of the  
*Kopro 1/48 KIT*

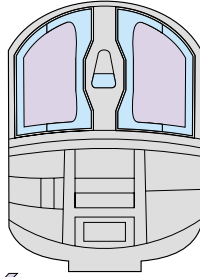
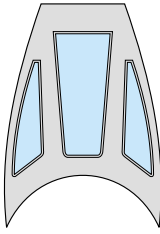
## EX 079



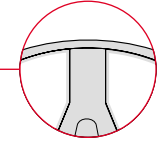
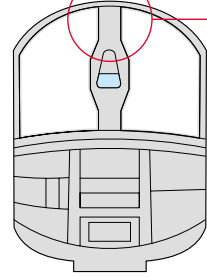
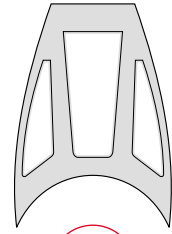
3.) INTERIOR COLOR



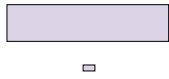
4.) RUBBER COLOR



5.) REMOVE MASK



LIQUID MASK



6.)

97 96

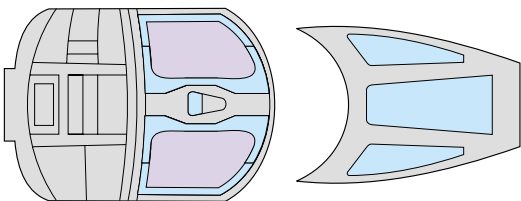
EX 079

7.)

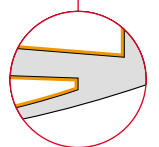
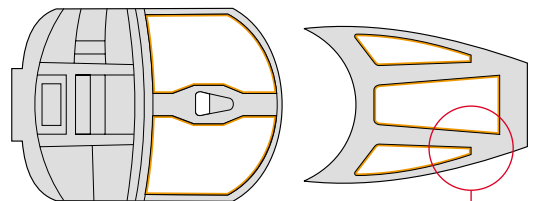
97 96

EX 079

8.) CAMOUFLAGE COLOR



9.) REMOVE MASK



LIQUID MASK

REFERENCES: Sqadron/Signal Publ.:Aircraft # 1129 - Su-25 Frogfoot  
4+ publication - Su-25