

CS35022 Australian M113 Vietnam - Early Gunshield Version 1966

Resin Parts List

1. Ventilator
2. Ventilator Switch - Fan
3. Top Hatch Travel Lock
4. Top Hatch
5. Mudguards
6. 0.50 Cal Ammo Box (20)
7. Commanders Hatch with Jacket
8. Gunshield Mount
9. 20mm ammo boxes (2)
10. Early Gunshield
11. Sandbag floor (2 parts)
12. 0.50 Cal MG body
13. 0.50 Cal mount side
14. Pintel Mount
15. 0.50 Cal Handle
16. Ammo Box for 50 Cal
17. Hutchie
18. Cardboard Ration Boxes
19. Bump Stop Hull (2 large)
20. Bump Stop Hatch (2 small)
21. Stowage

Photo Etch Parts

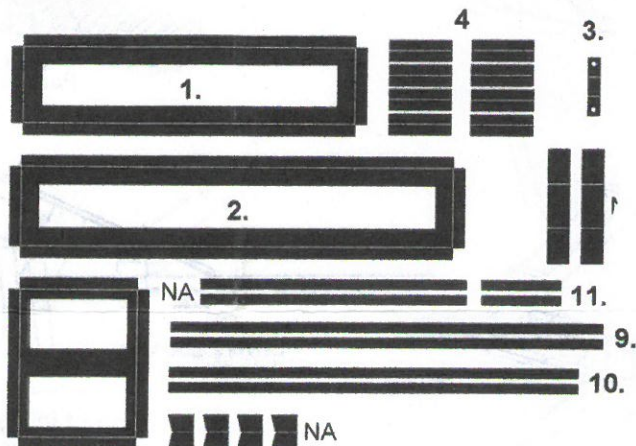
1. Short ammo rail base
2. Long ammo rail base
4. Vertical Rail mounts (8)
6. Top Hatch Travel Lock
9. Long ammo rack top rails (2)
10. Short ammo rack top rails (2)
11. Long ammo rack top rails (2)

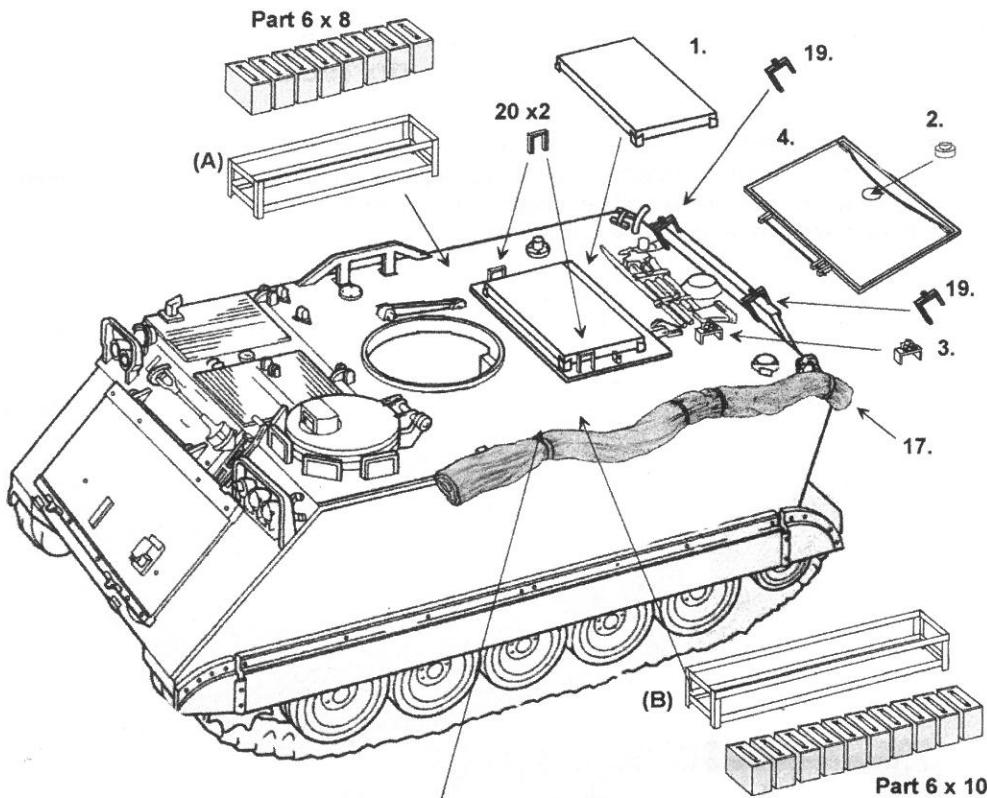
- B1. 0.50 Cal Barrel
B2. 0.50 Cal Receiver
B3. Handle

Assembly - IMPORTANT PLEASE READ

Most of this is relatively straight forward, you wont need some of the photo etch parts which are for future M113 update releases. There is a small mistake in the photo etch part 10 which is missing the half etch bend.

Check the instructions on the next page for more details.





(A) Short Ammo Rack
 The upper rail (10) is missing the half etch you will have to scribe a line at 34mm then bend it at 90 degrees

(B) Long Ammo Rack
 Same construction as Short Rack with these parts

20. Position Ventilator as far forward on hatch as possible

4.5mm from front of hatch

PE 6.

Hatch opening

8mm

Drivers side view

Lining up Top Hatch Bump Stops

1. Attach the top hatch and make sure is movable
2. Move it to the open position so you can line up the large bump stop, which will hit 1mm inside the outer edge of upper hatch. make a mark and then glue in place
3. Glue the Bump stop (20) to the top hatch 4.5mm from front of hatch.

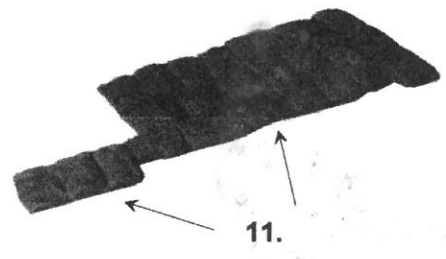
Lining up Top Hatch Latch

1. Position Latch (3) 8mm from rear of top hatch opening It should be just inside the edge of the top hatch

B1 B2 12. 15. 14. 13. 7.

10. 8.

← Tamiya or Academy Kit parts



Fitting Sandbag Floor

1. glue the sandbags to the kit floor before you attach the seat brackets and seats

