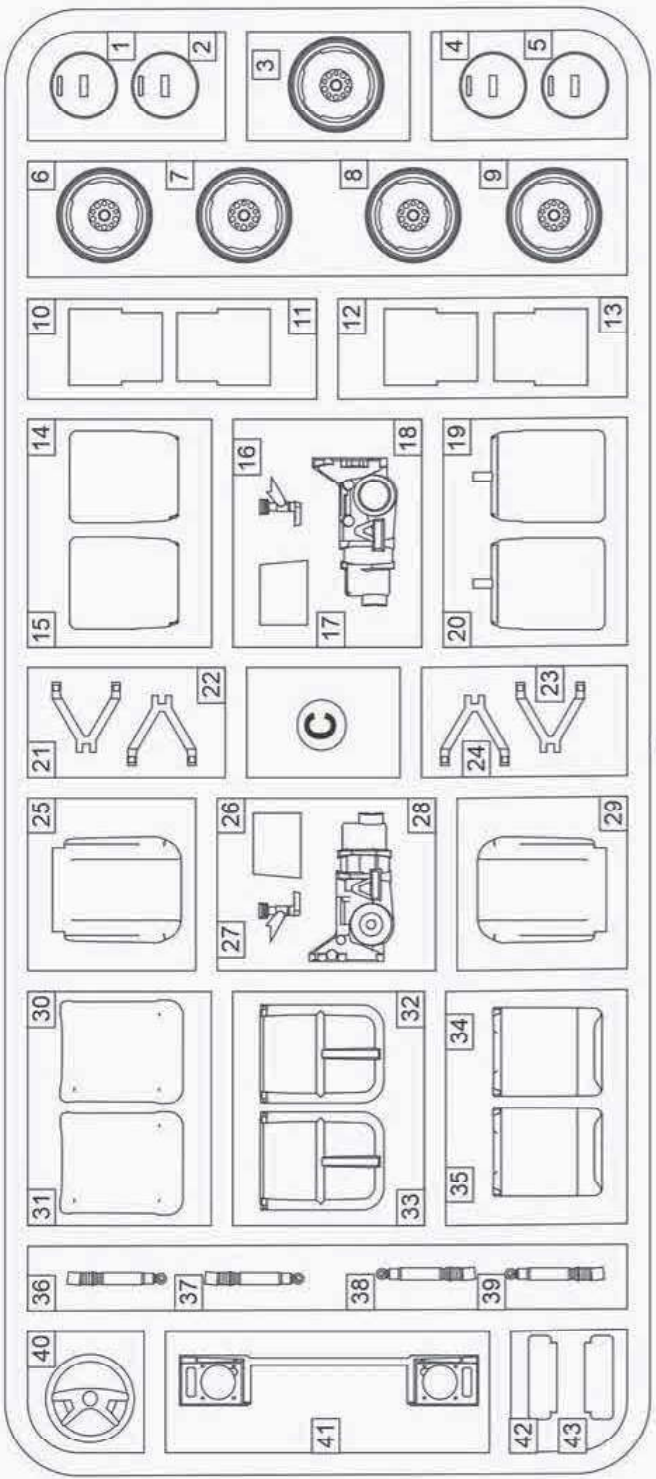
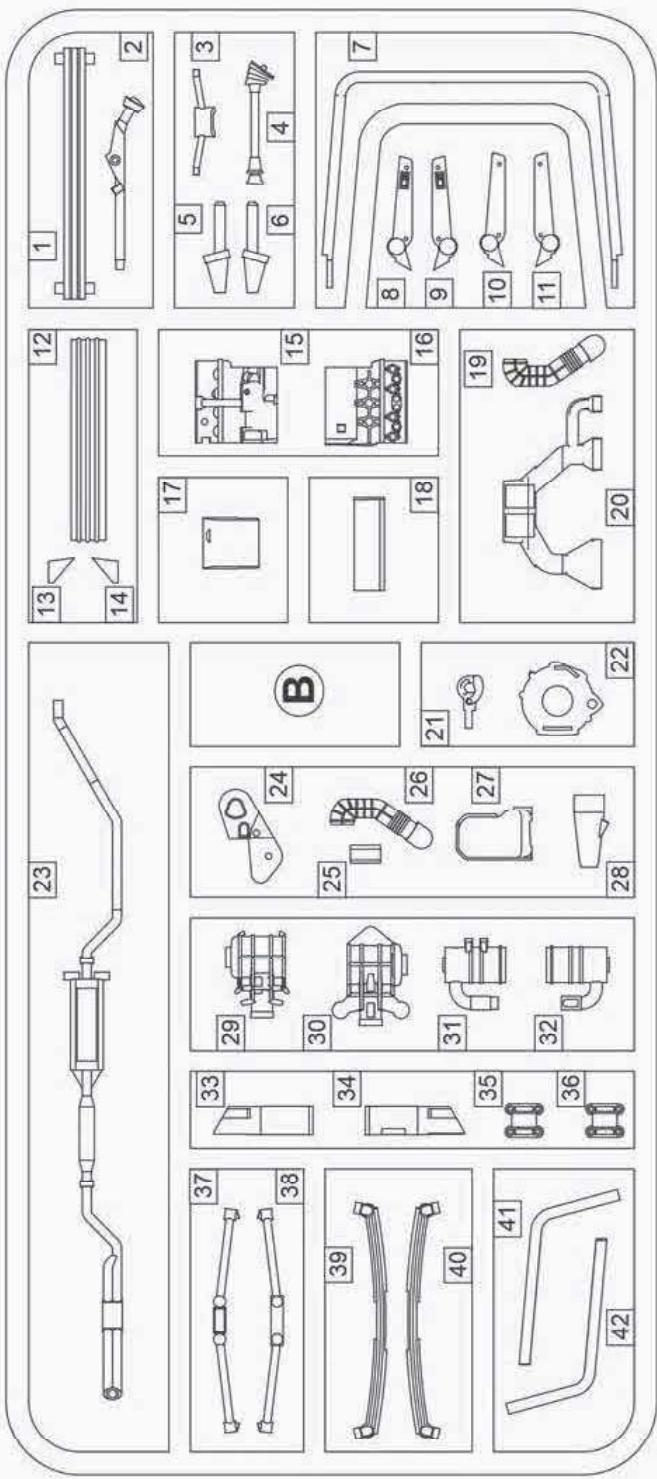
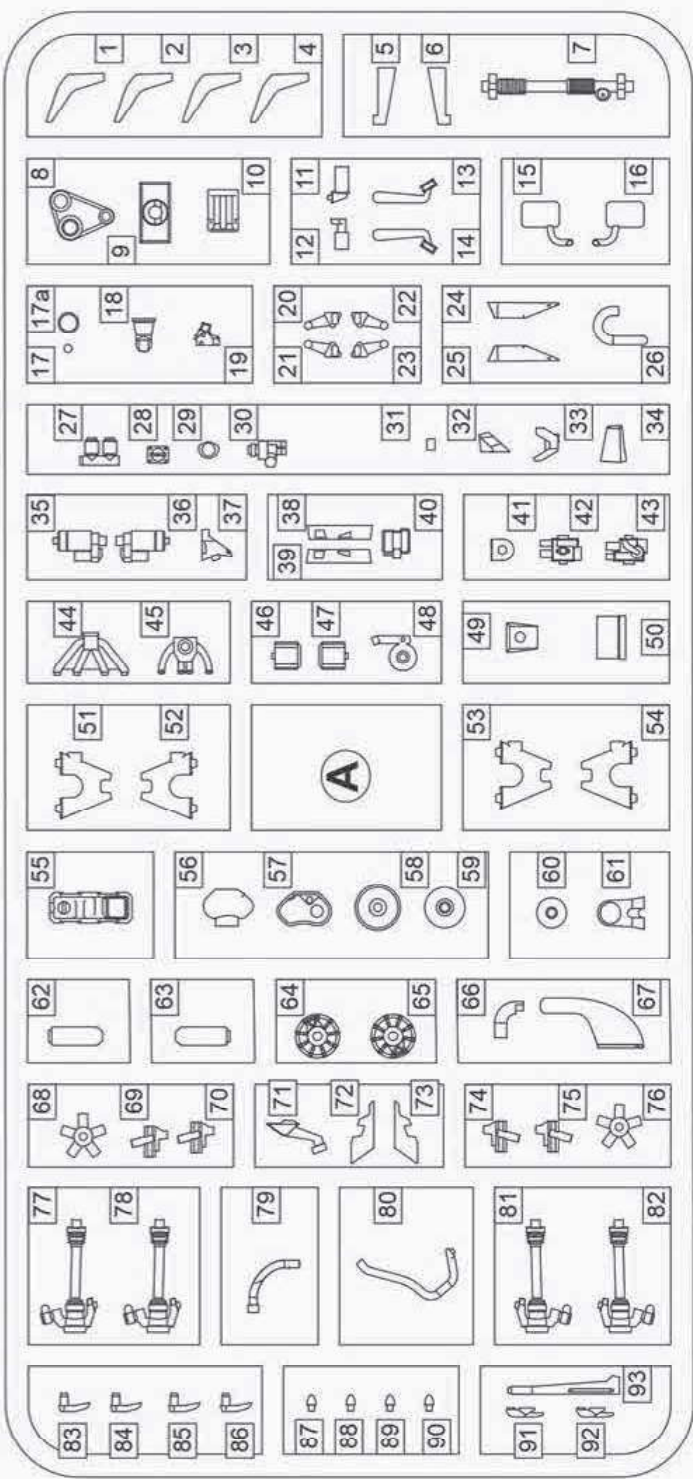
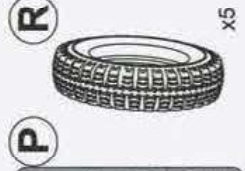
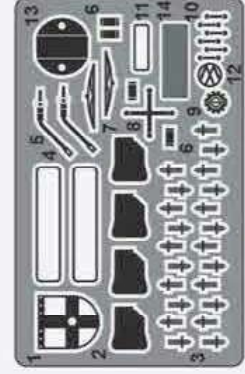
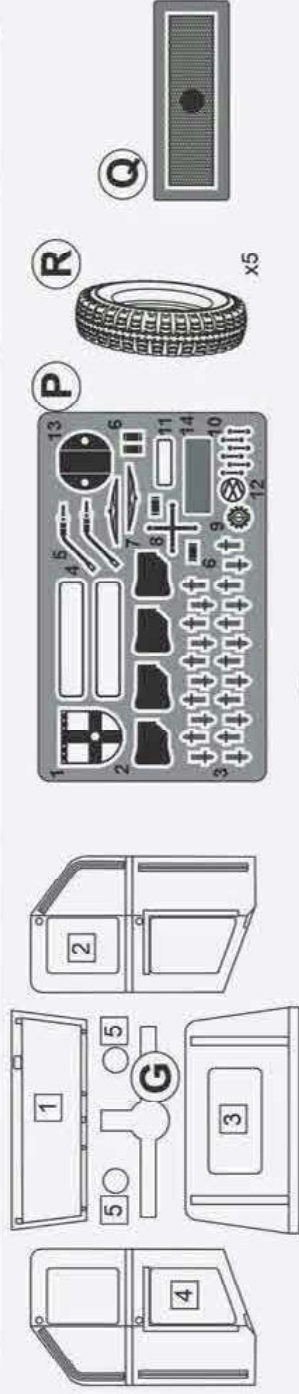
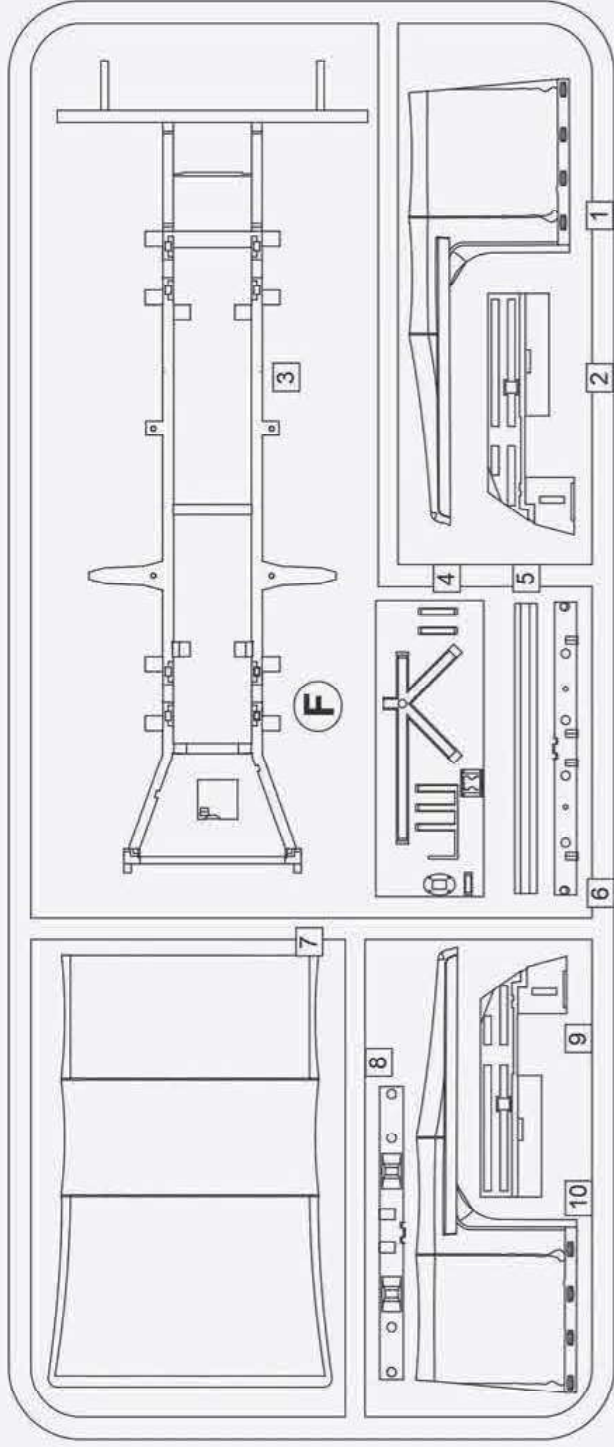
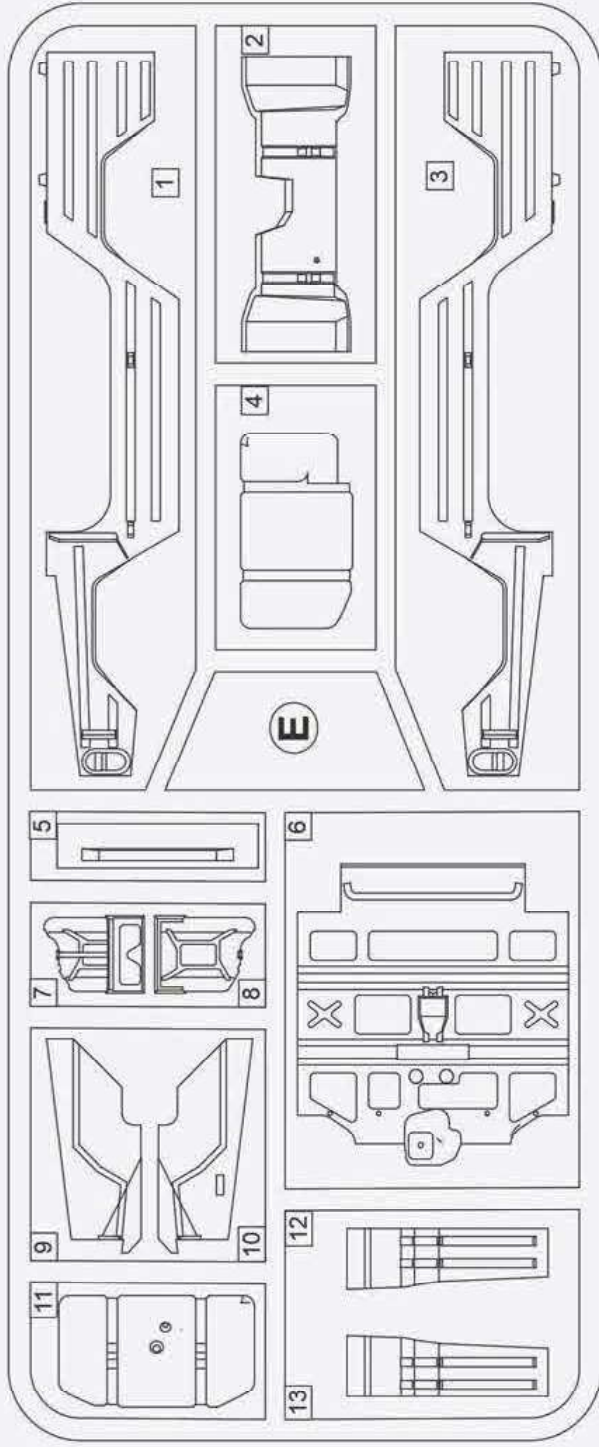
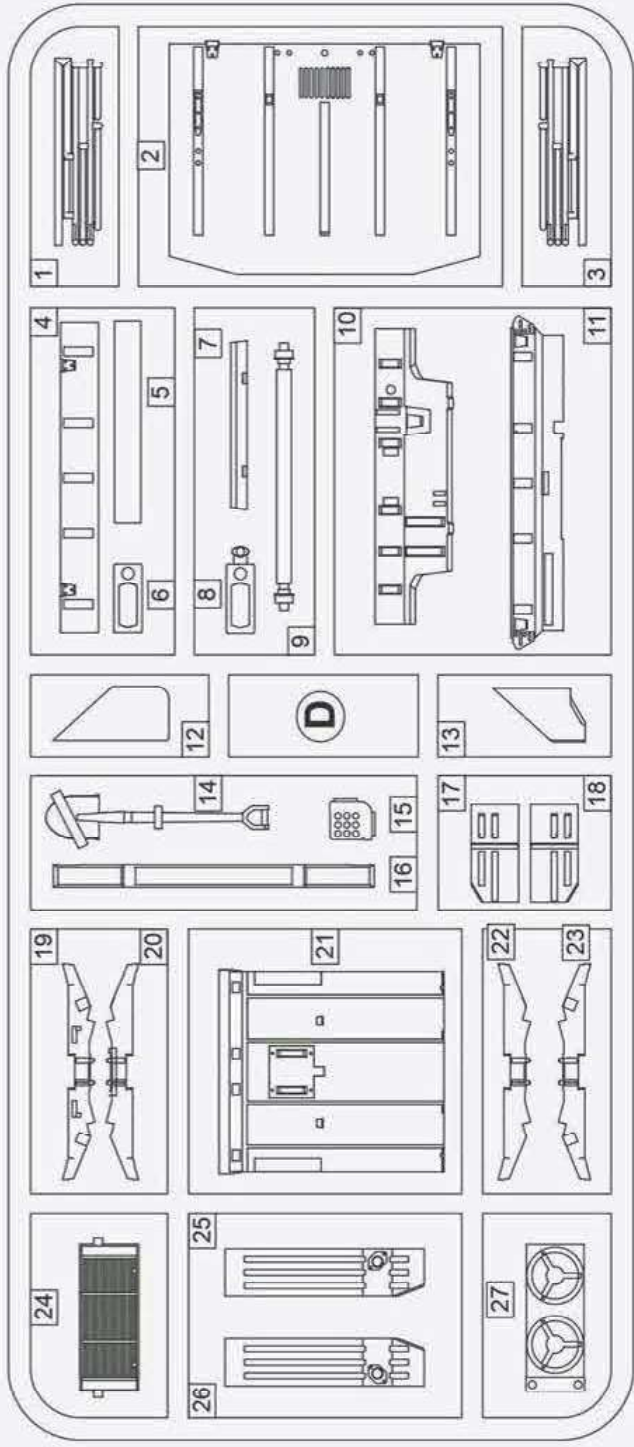


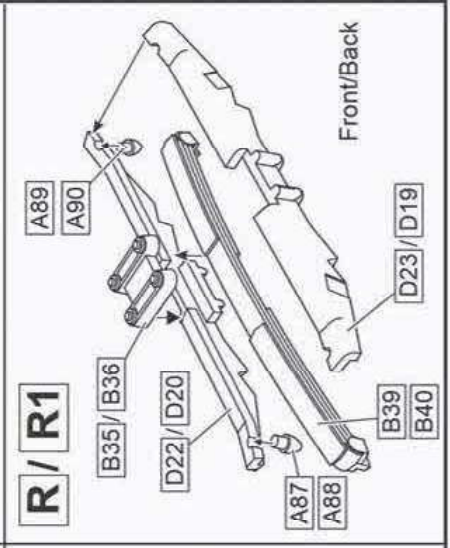
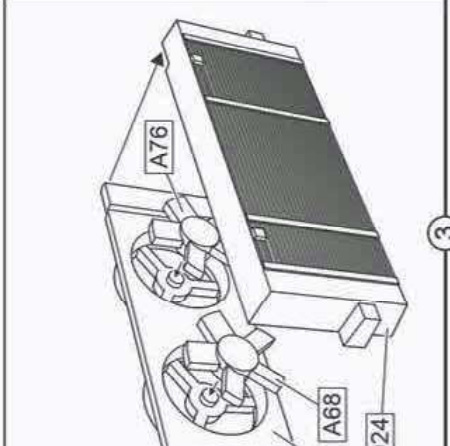
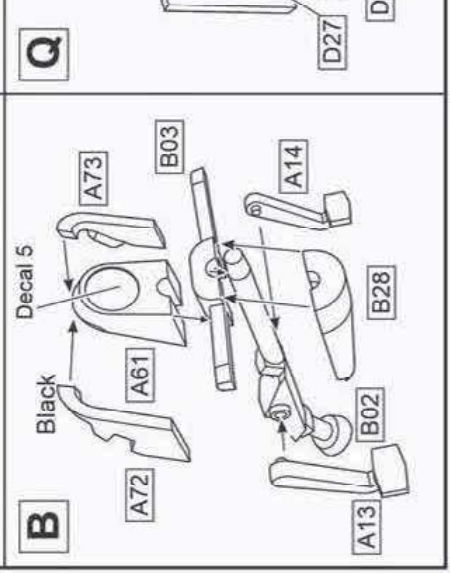
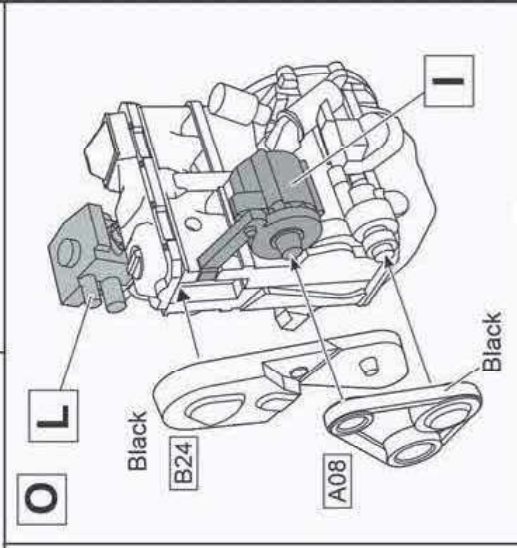
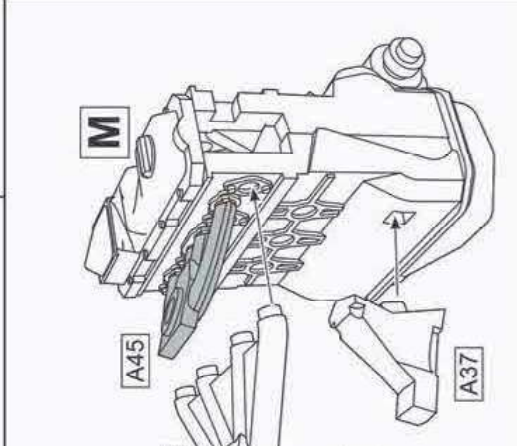
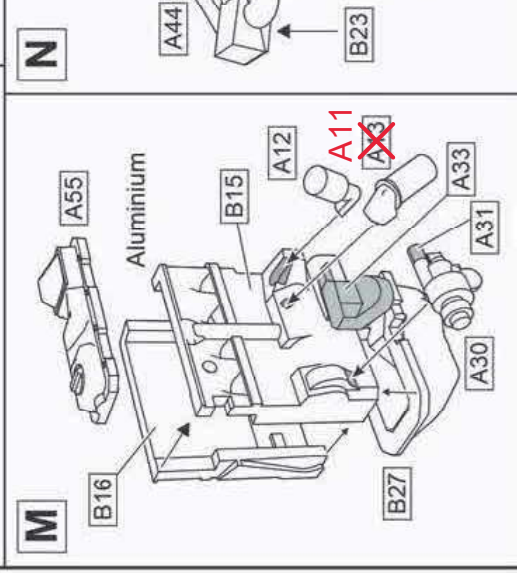
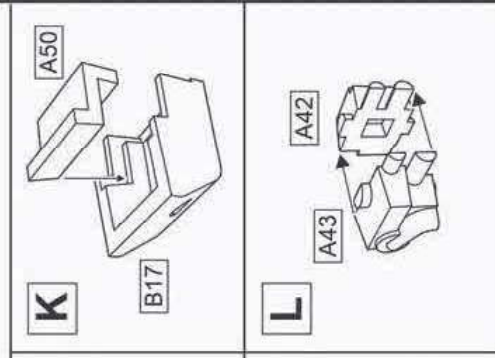
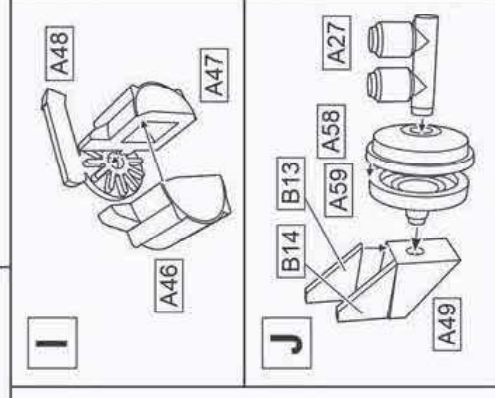
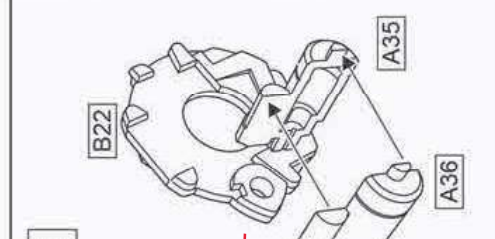
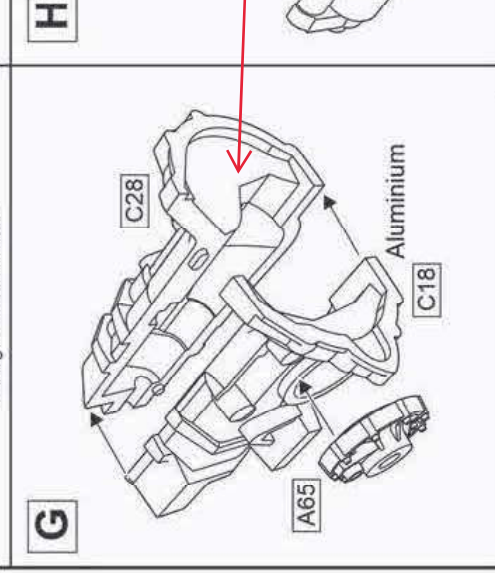
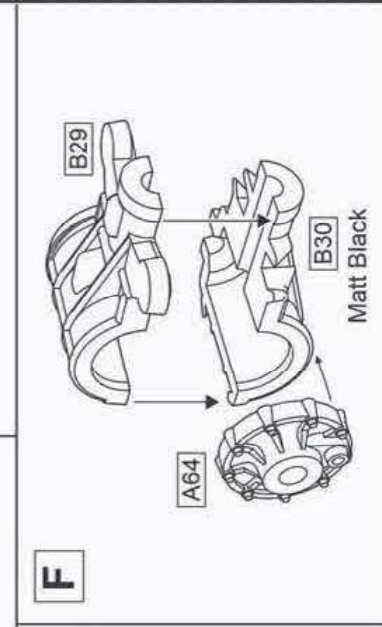
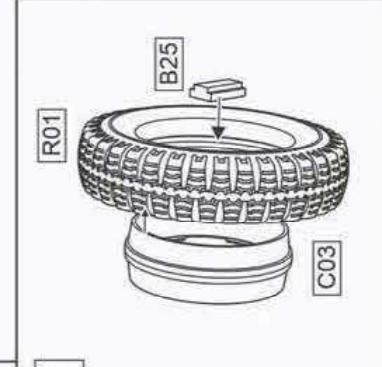
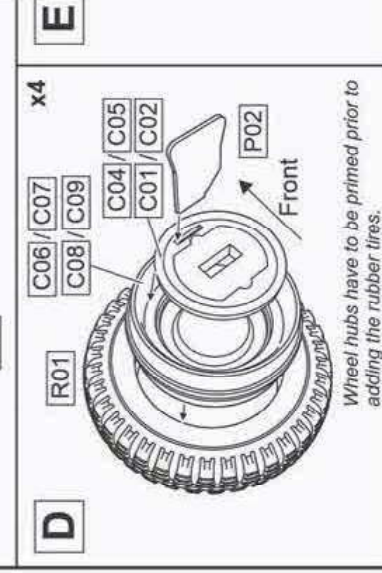
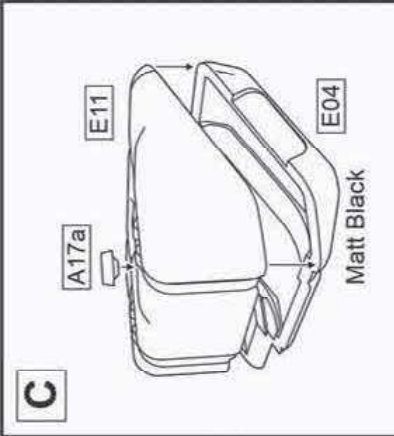
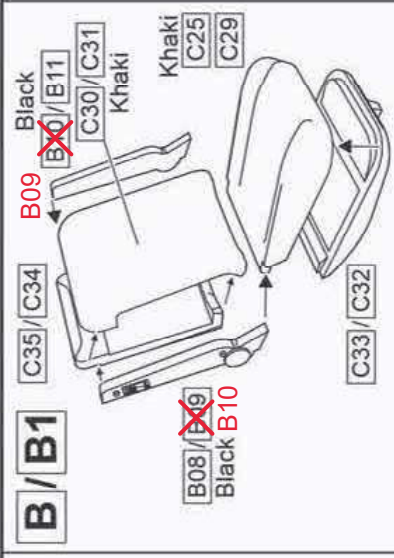
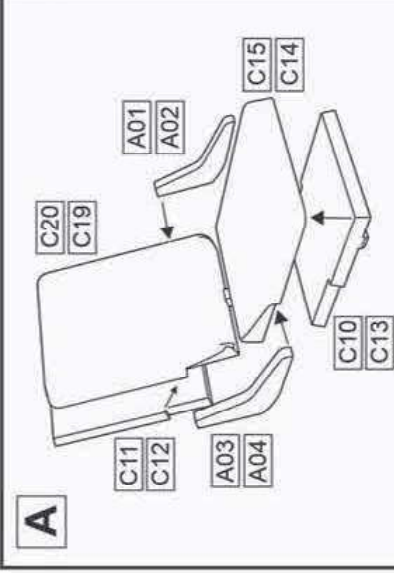
0.5t Light Truck Iltis

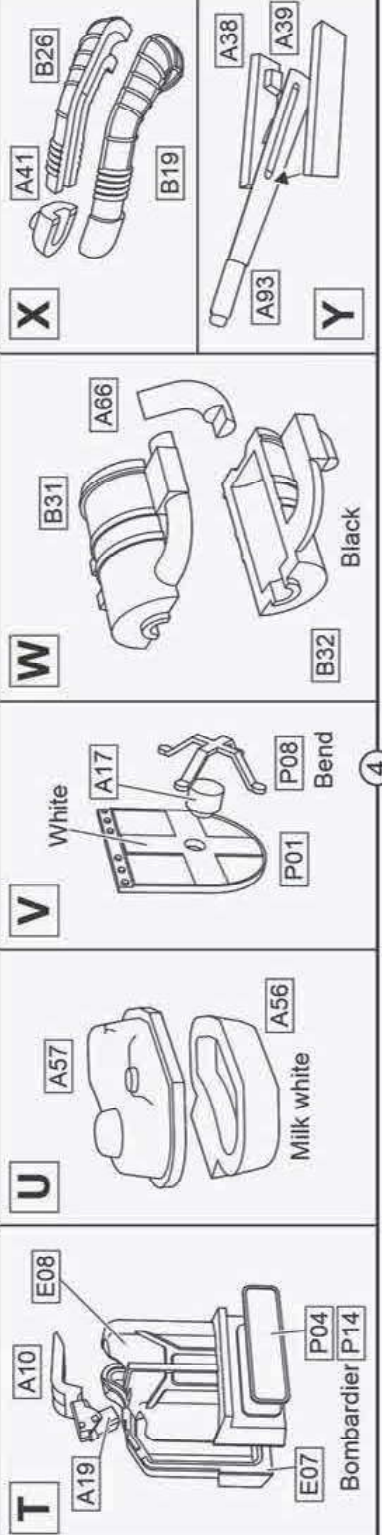
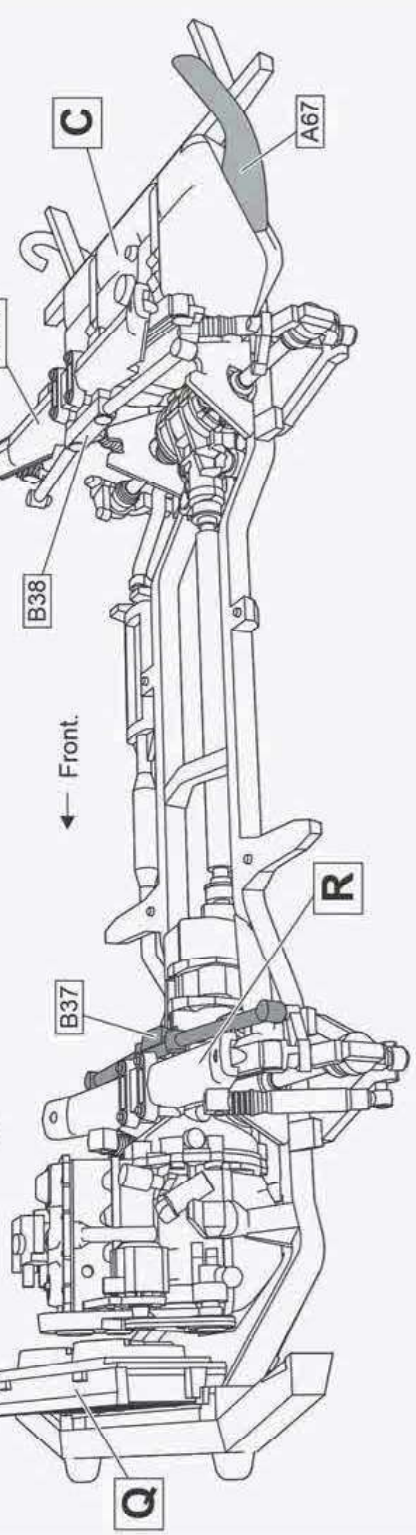
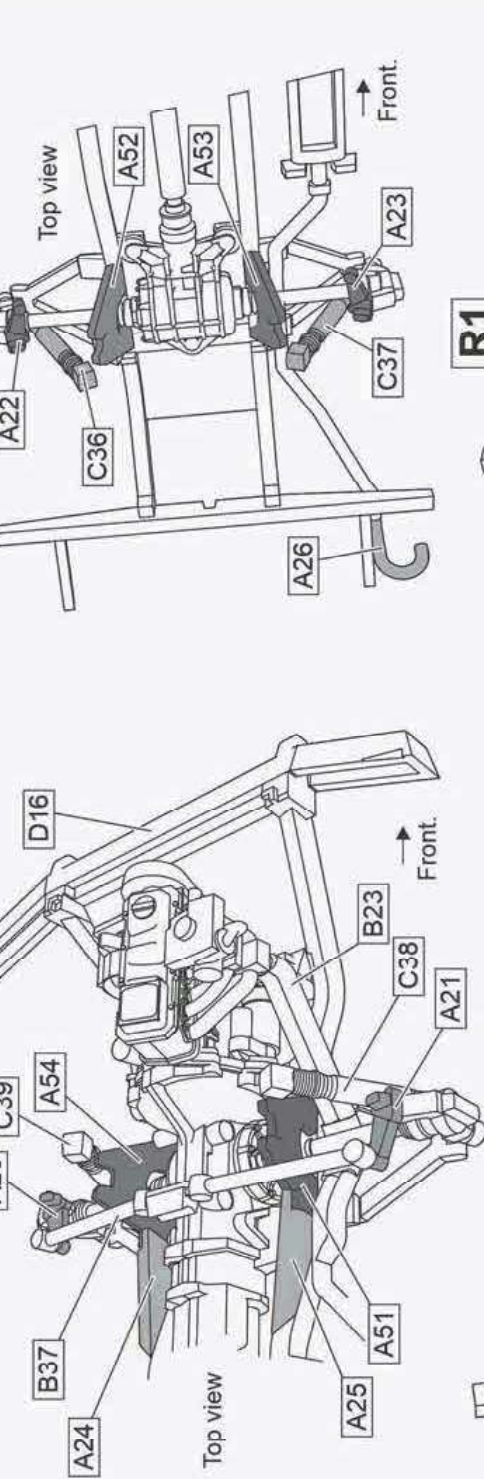
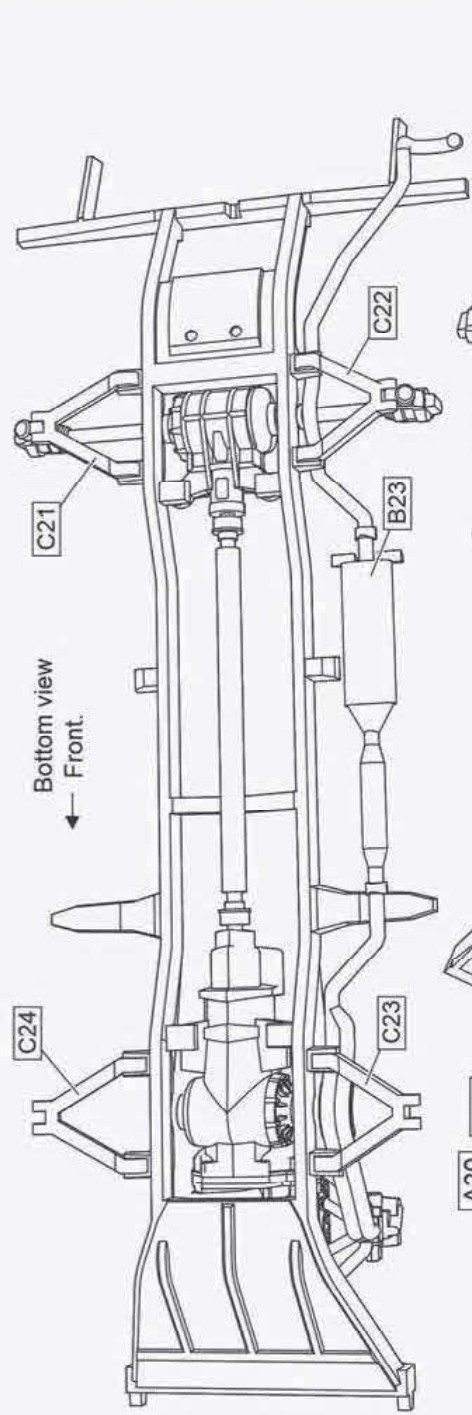
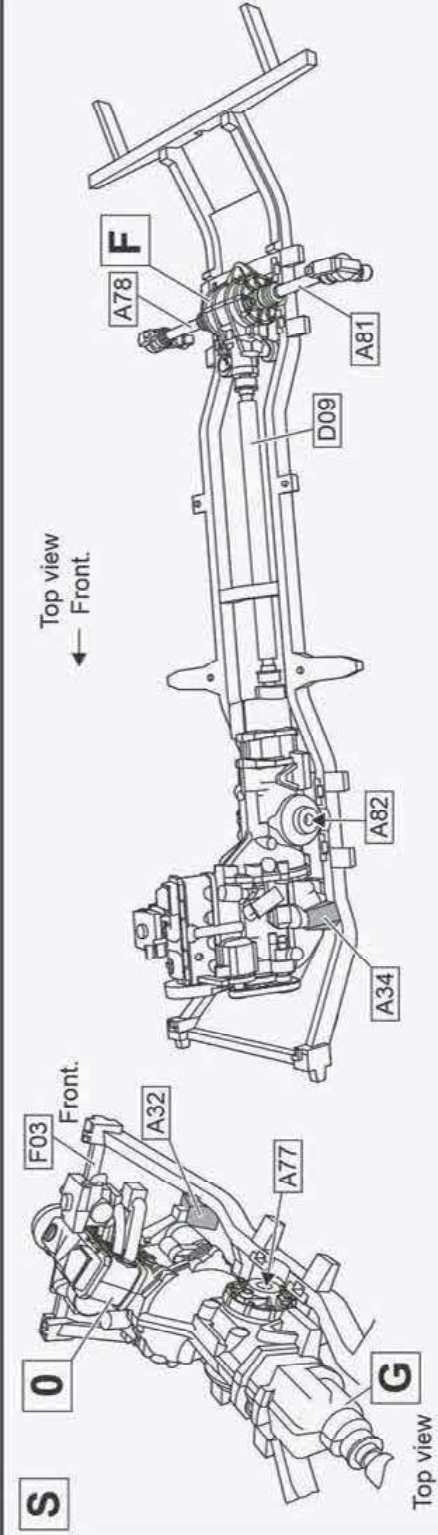
1/35scale
Plastic model kit. Cat. #35101

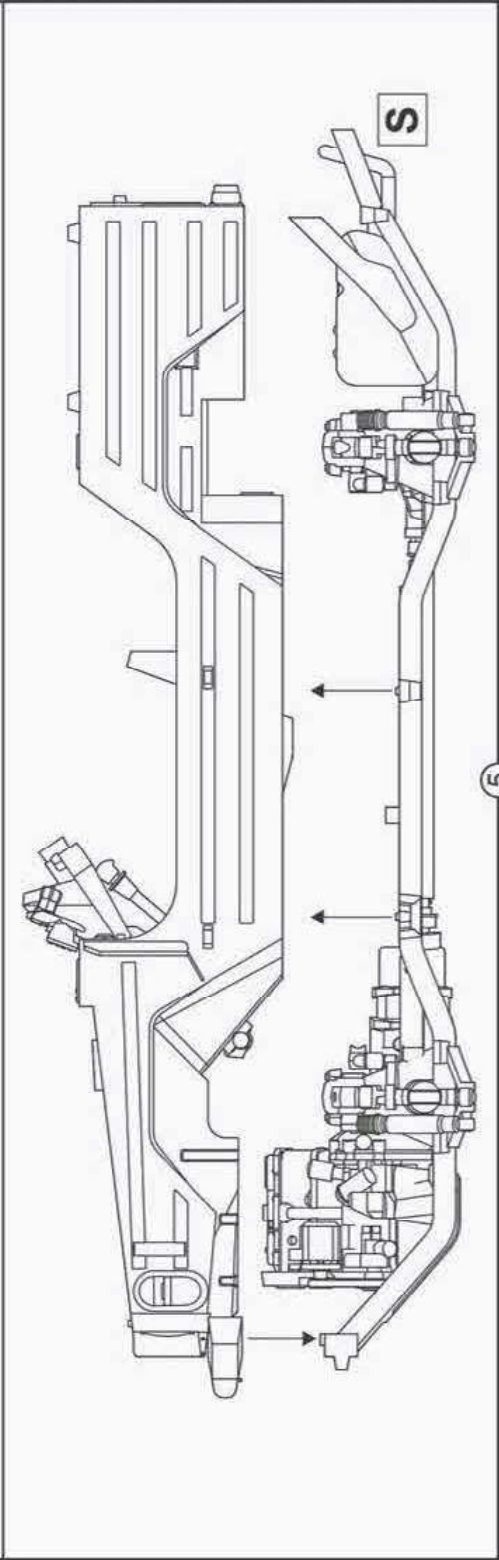
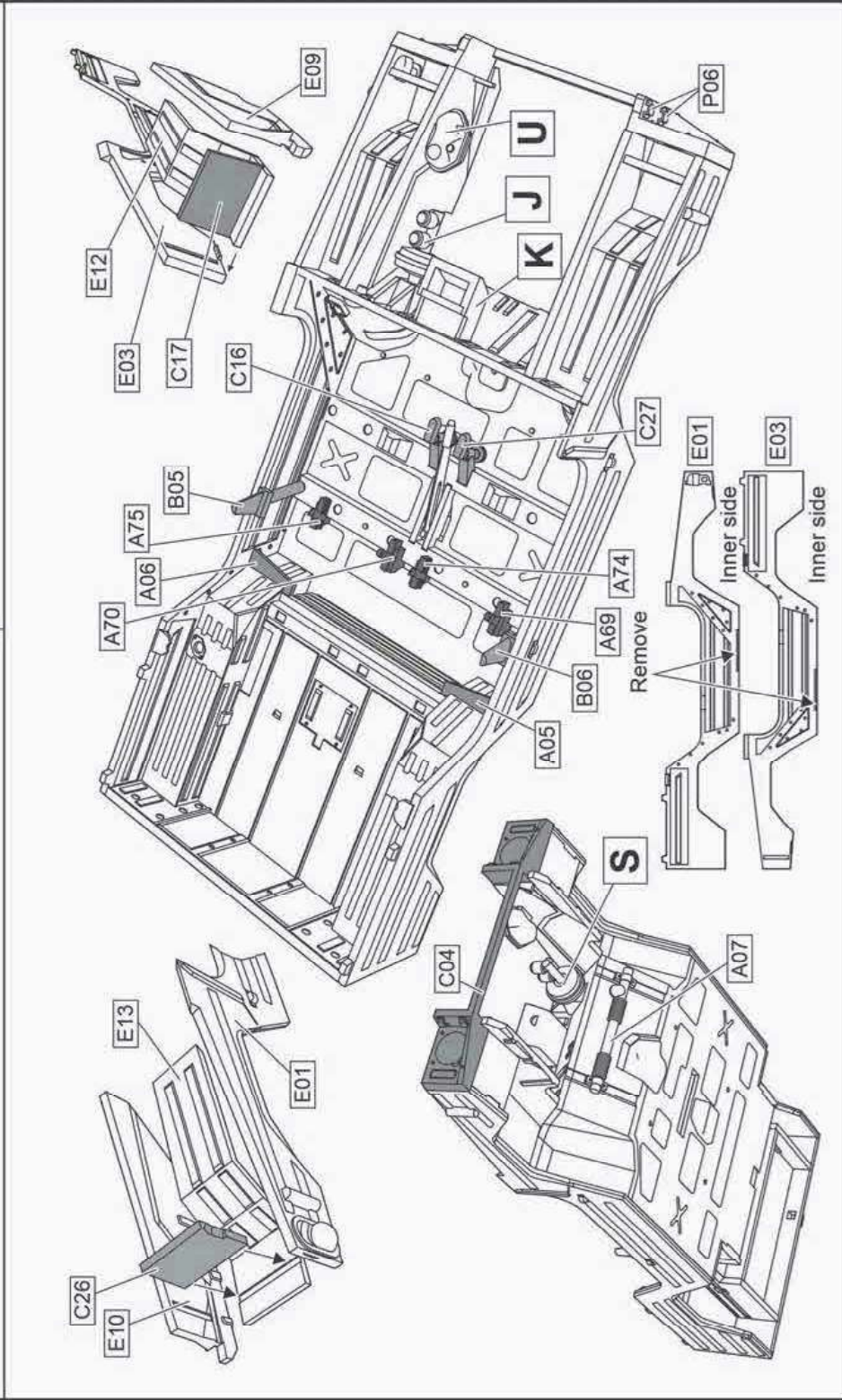
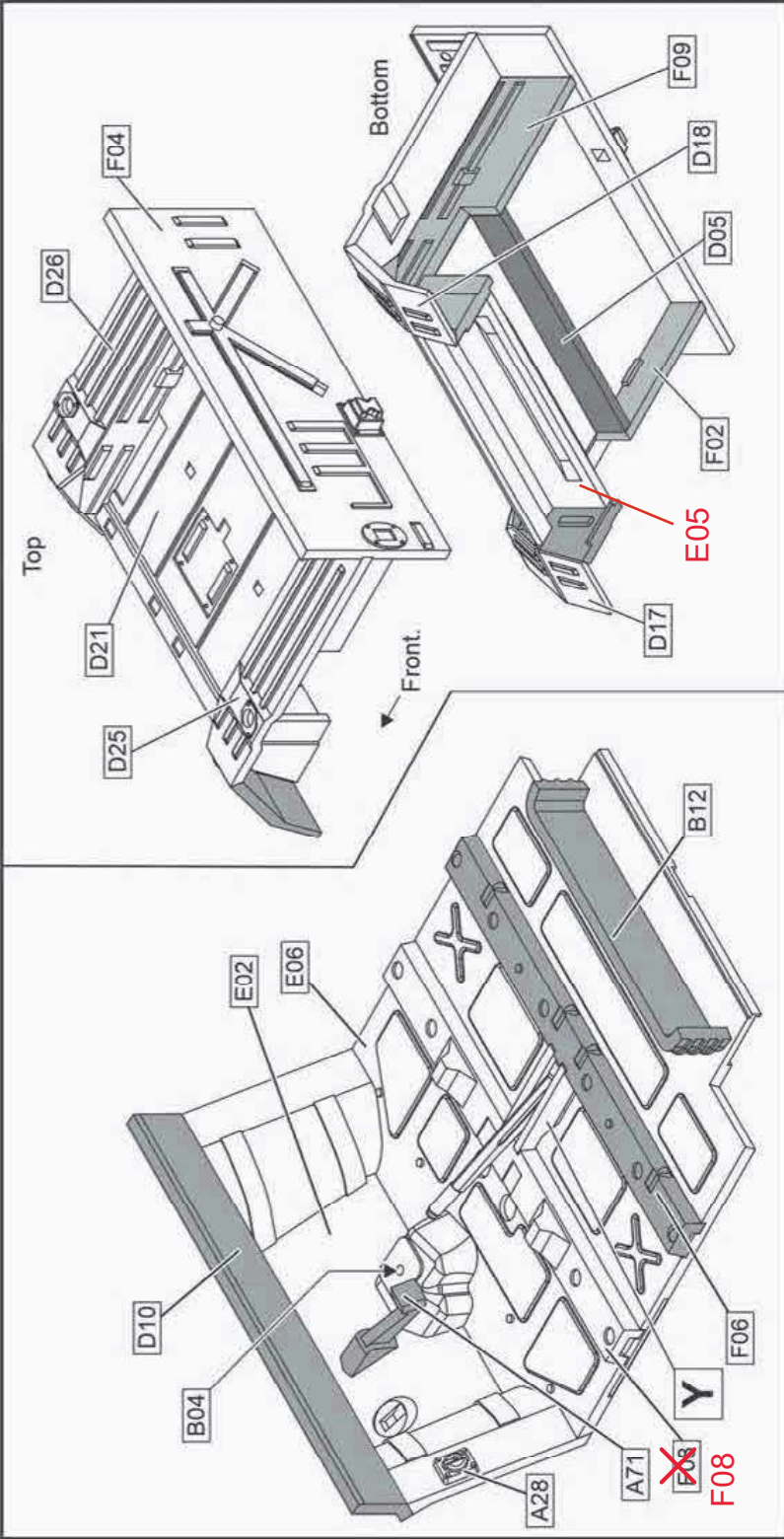


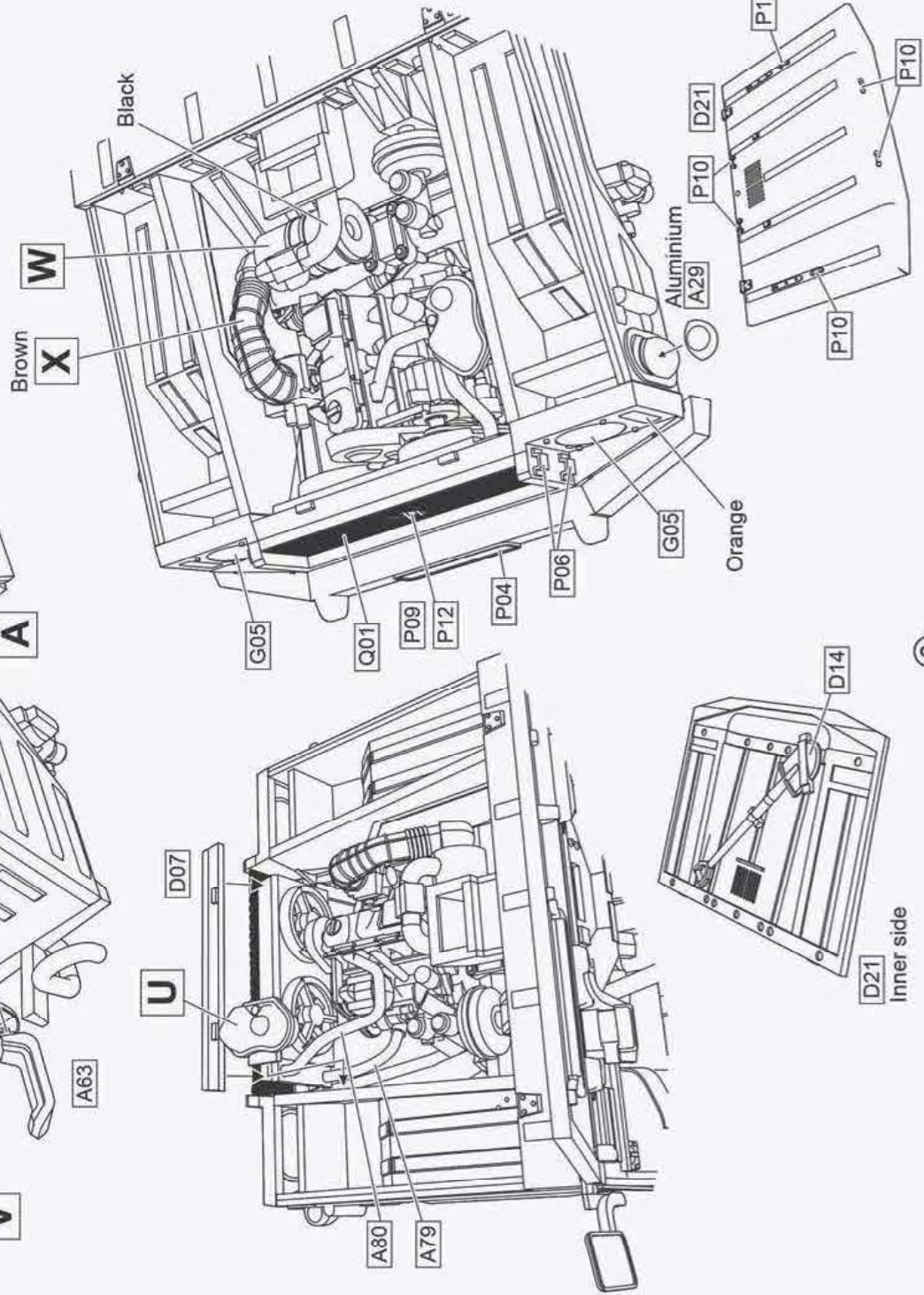
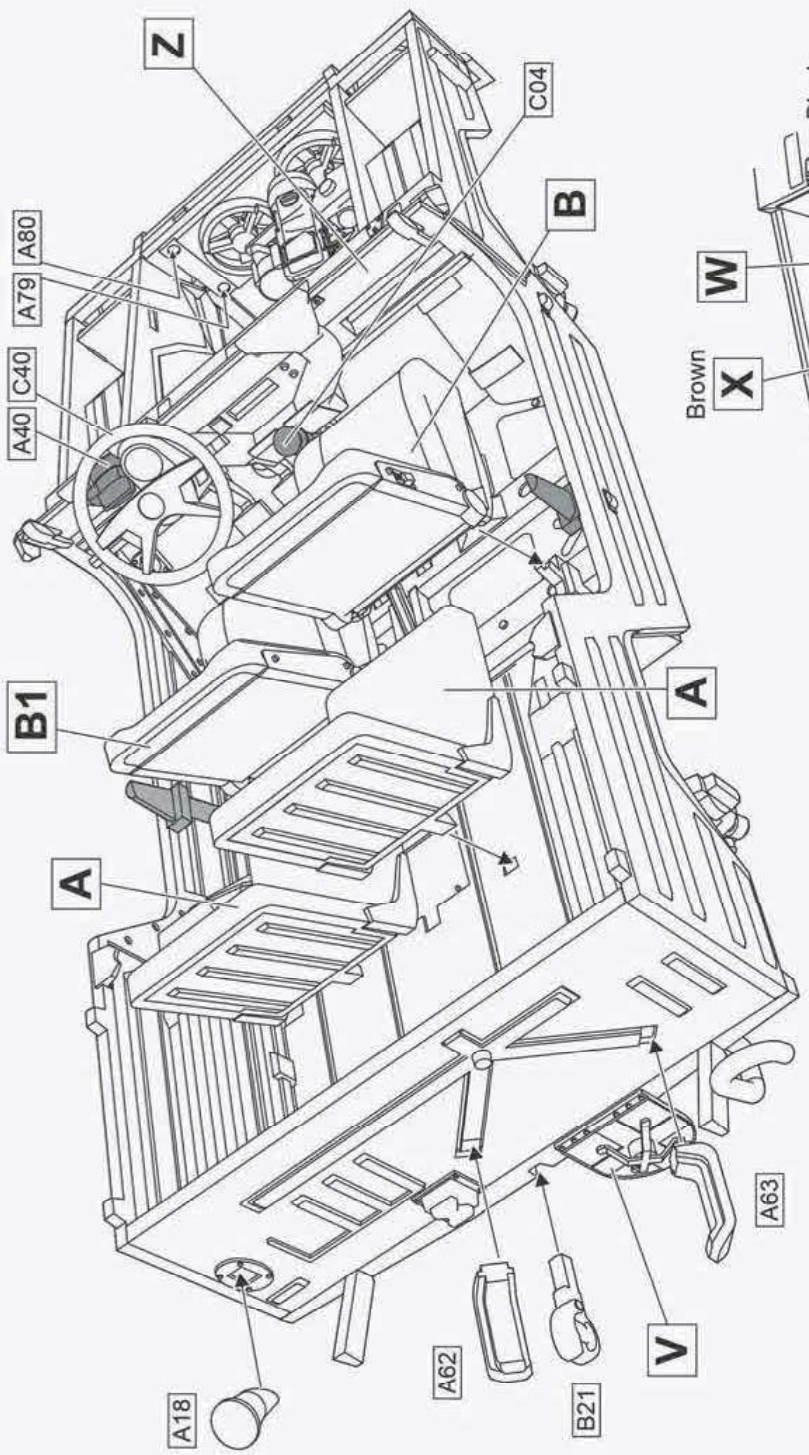
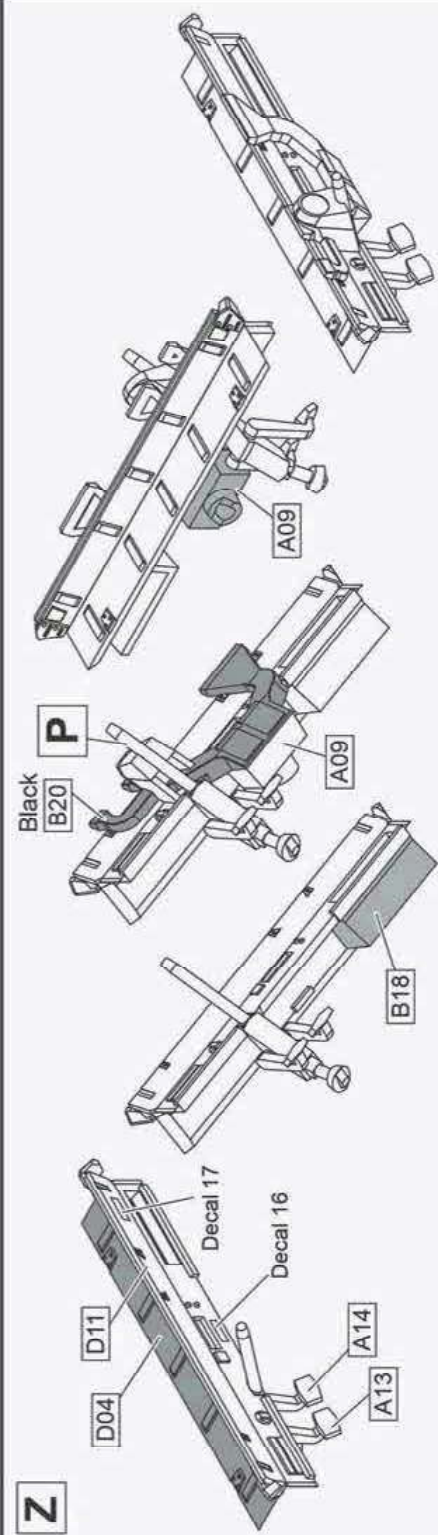


x5



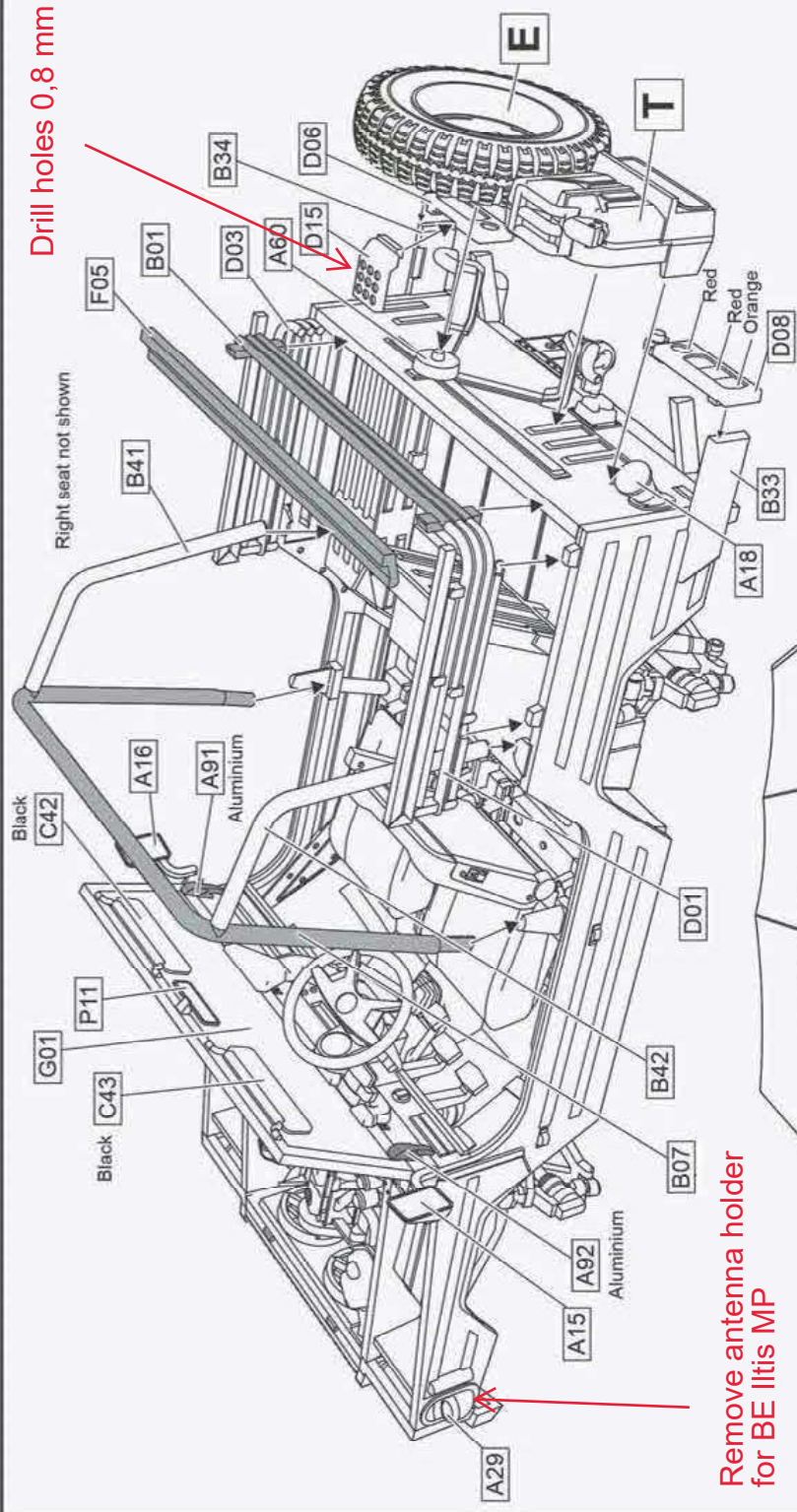






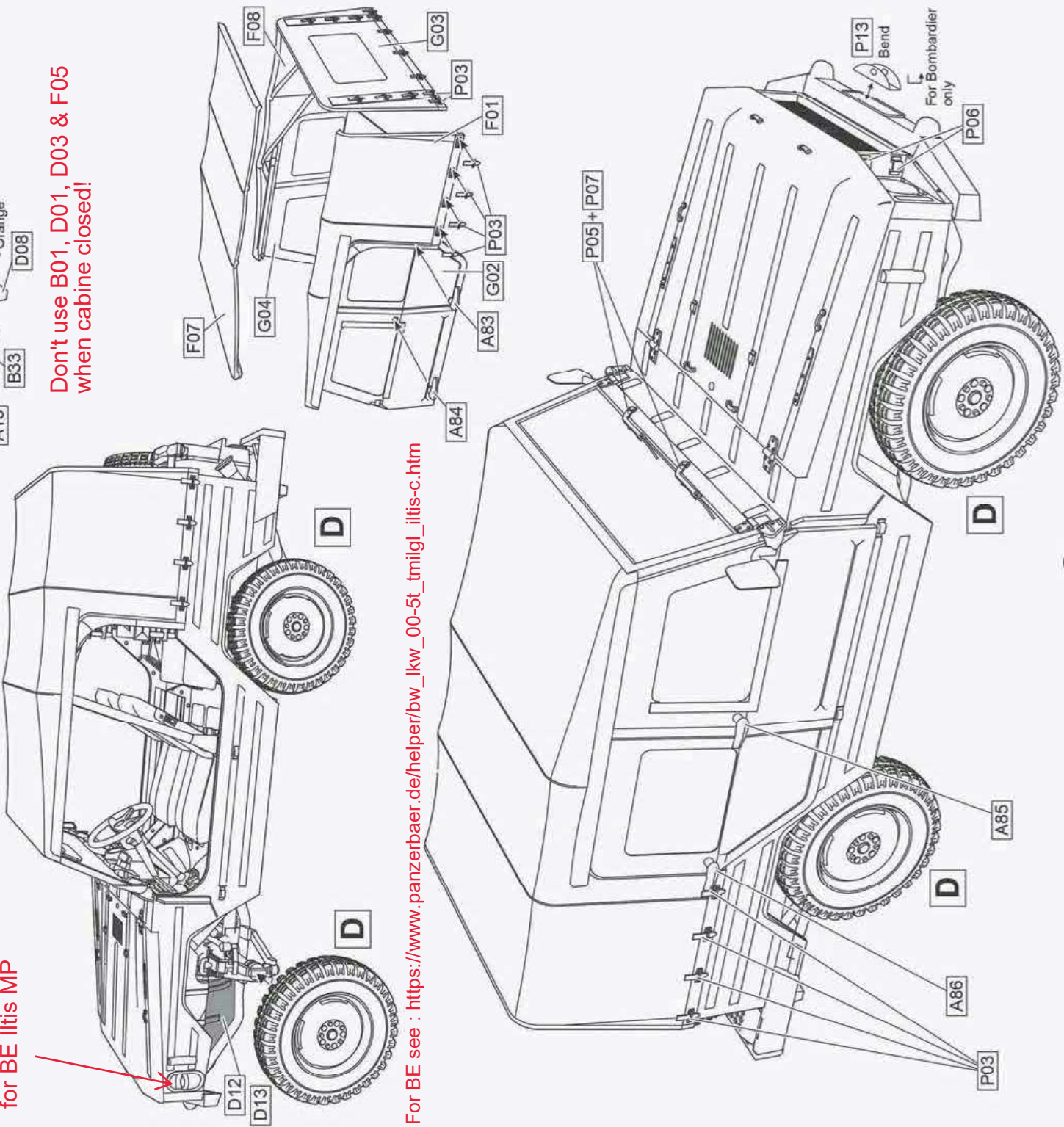
Drill holes 0,8 mm

Right seat not shown



Remove antenna holder for BE Iltis MP

Don't use B01, D01, D03 & F05 when cabine closed!



For BE see : https://www.panzerbaer.de/helper/bw_ikw_00-5t_tmilgl_iltis-c.htm

