



**VERLINDEN PRODUCTIONS**

Ondernemersstraat, 4  
B-2500 Lier/BELGIUM

CE **MADE IN BELGIUM**

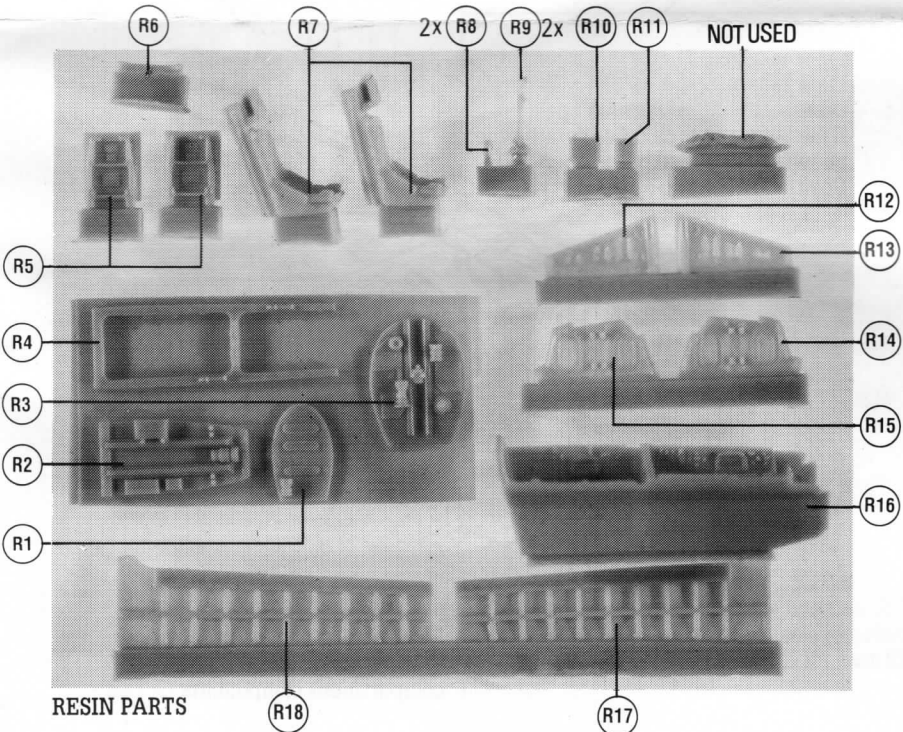
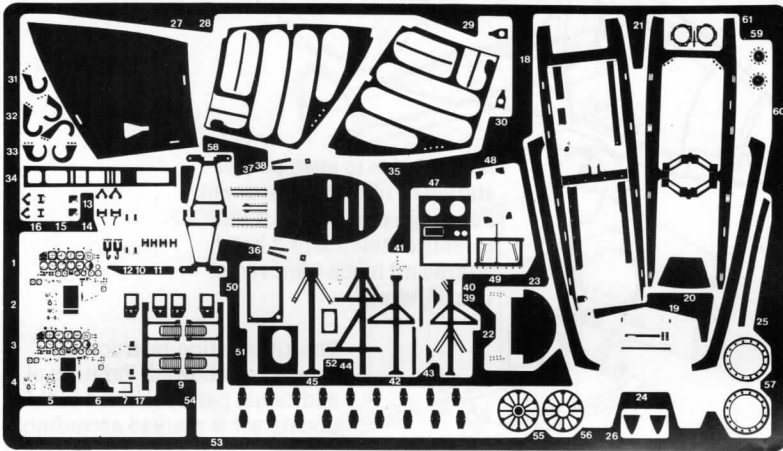
AGE 14 AND UP/ ET PLUS

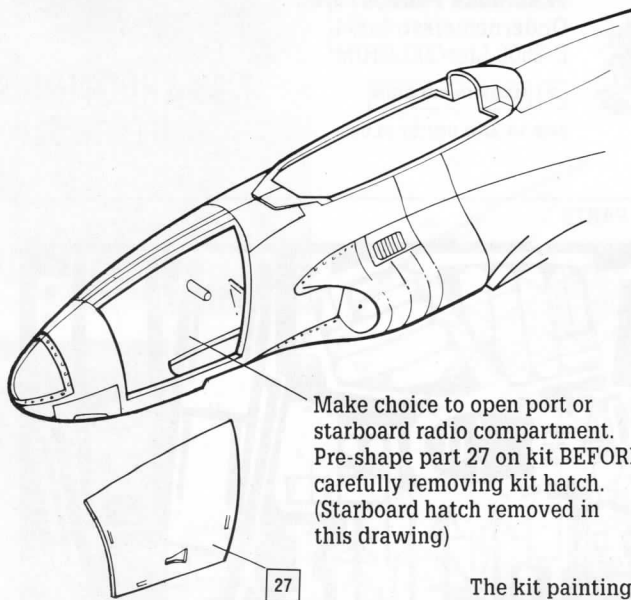
# T-33 SHOOTING STAR Update Set

**1:48  
854**

## PHOTO-ETCHED PARTS

Recommended kit :  
HobbyCraft HC 1595



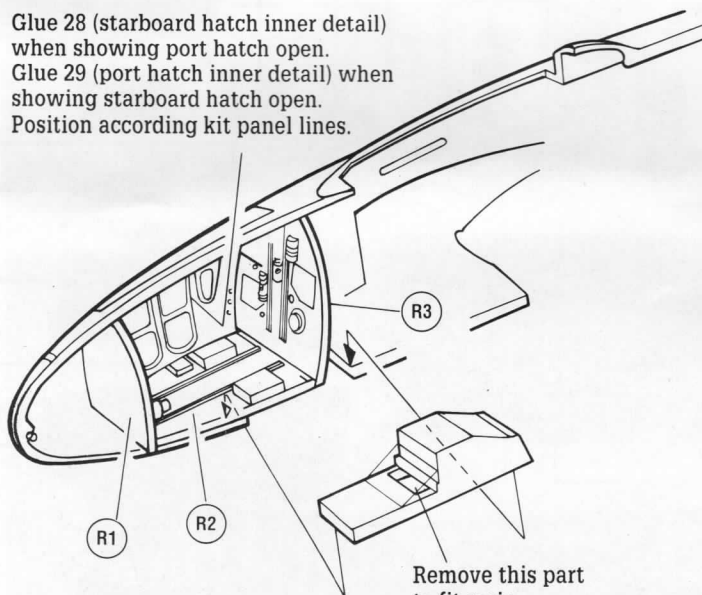
**1**

Make choice to open port or starboard radio compartment. Pre-shape part 27 on kit BEFORE carefully removing kit hatch. (Starboard hatch removed in this drawing)

The kit painting instructions should be followed. Painting of additional parts included in this update set is marked accordingly.

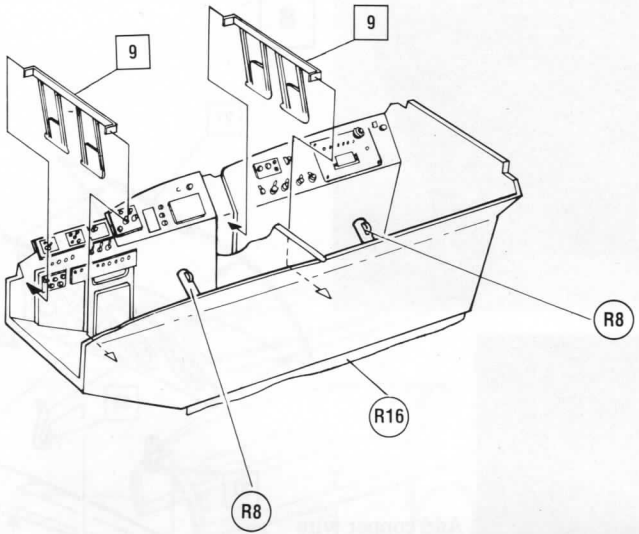
**2**

Glue 28 (starboard hatch inner detail) when showing port hatch open.  
 Glue 29 (port hatch inner detail) when showing starboard hatch open.  
 Position according kit panel lines.

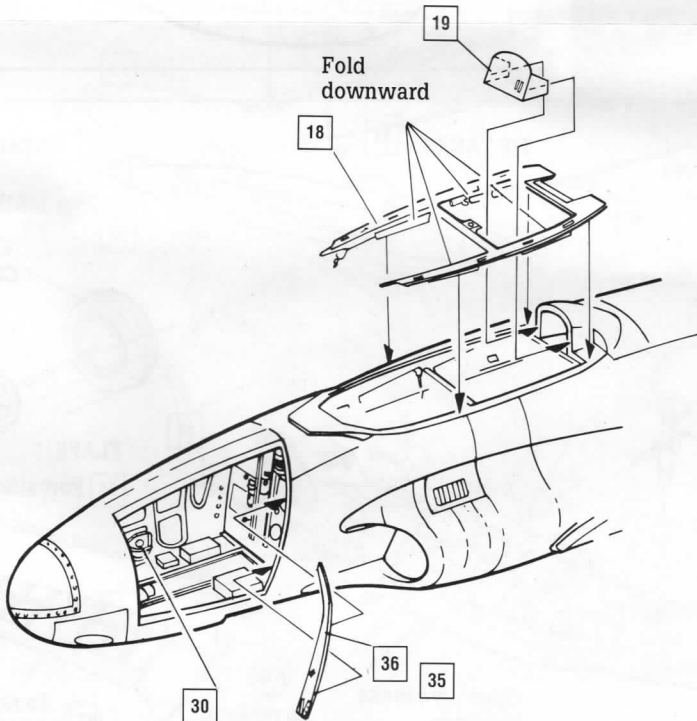


Remove this part to fit resin compartment components

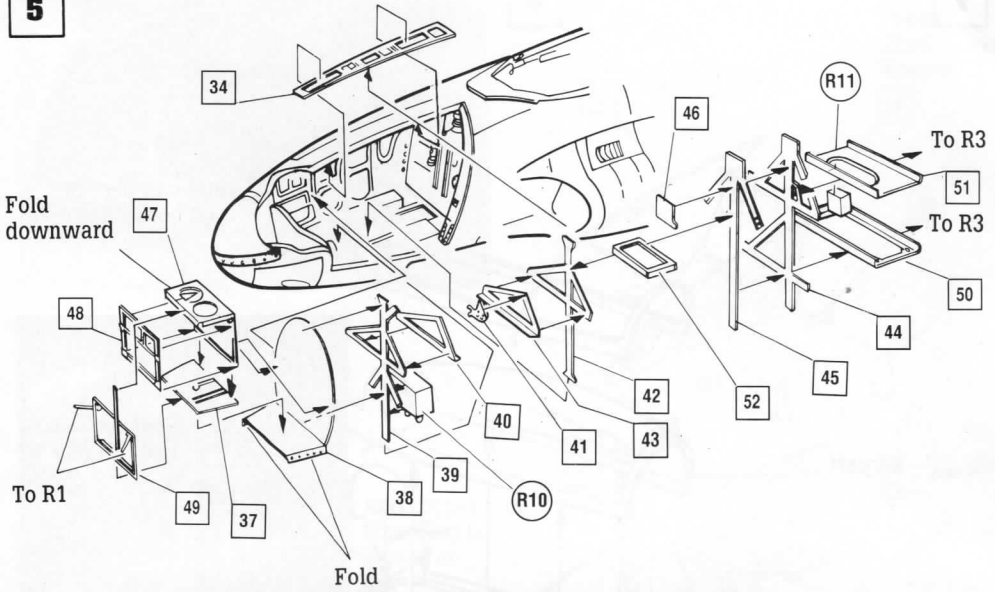
3



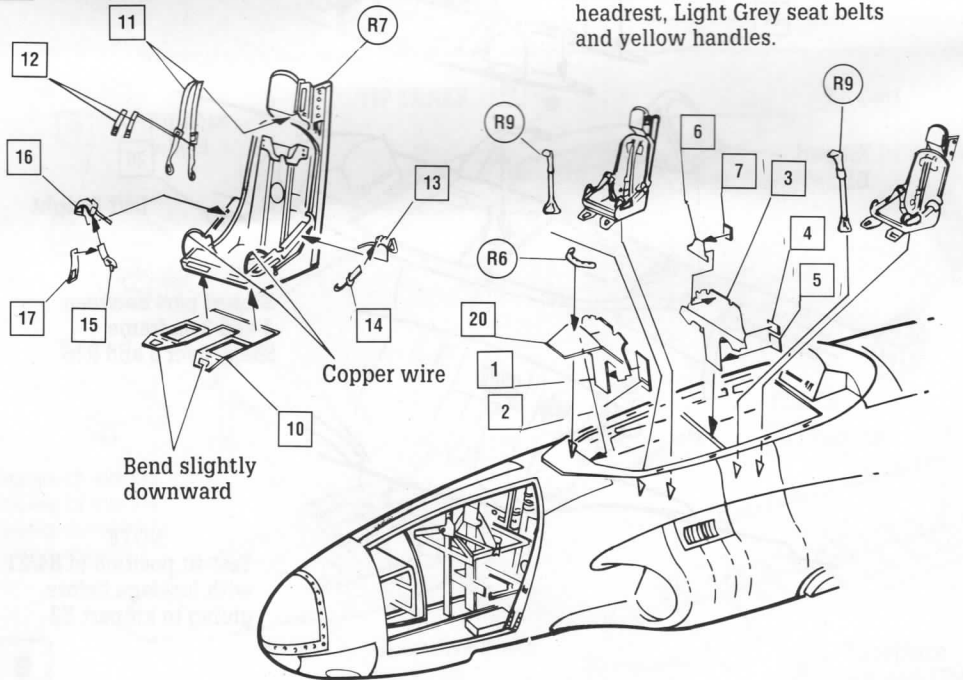
4

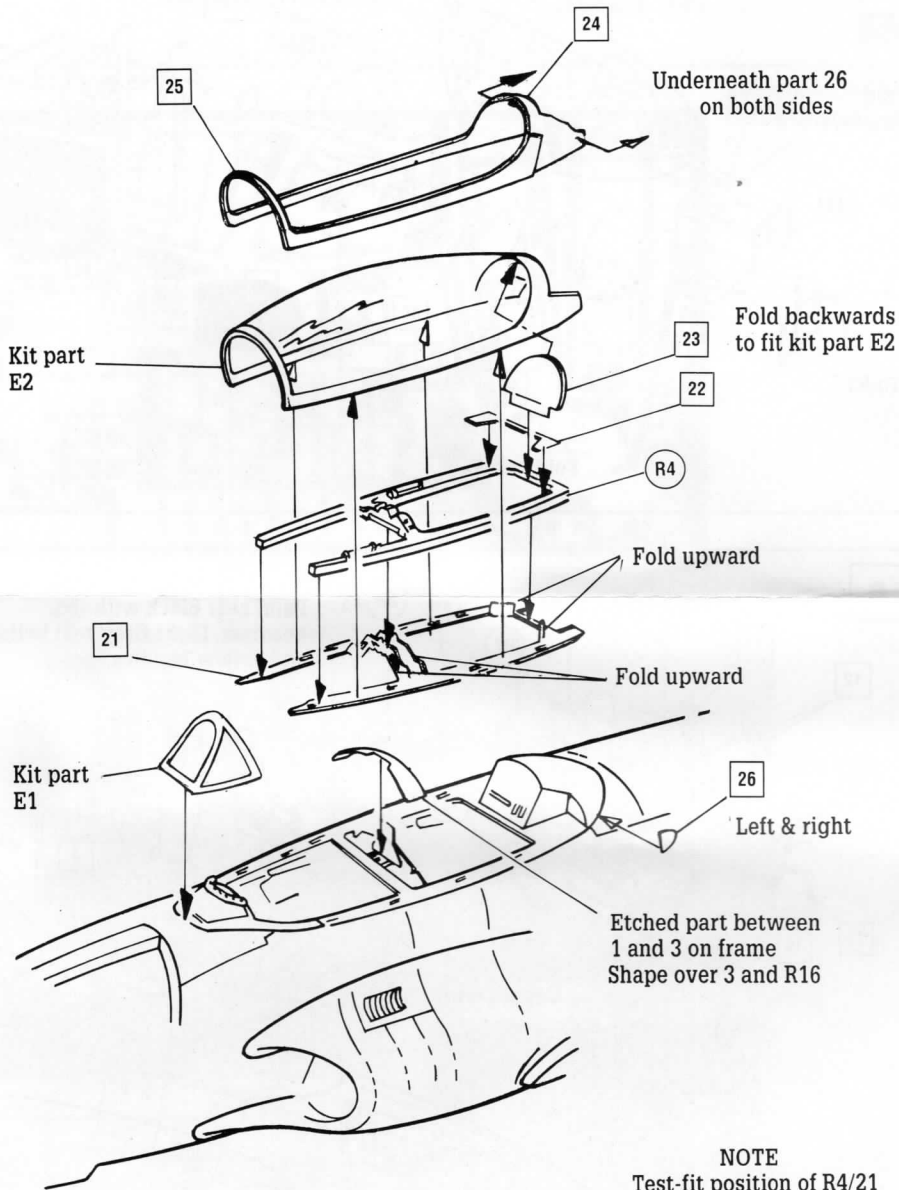


5

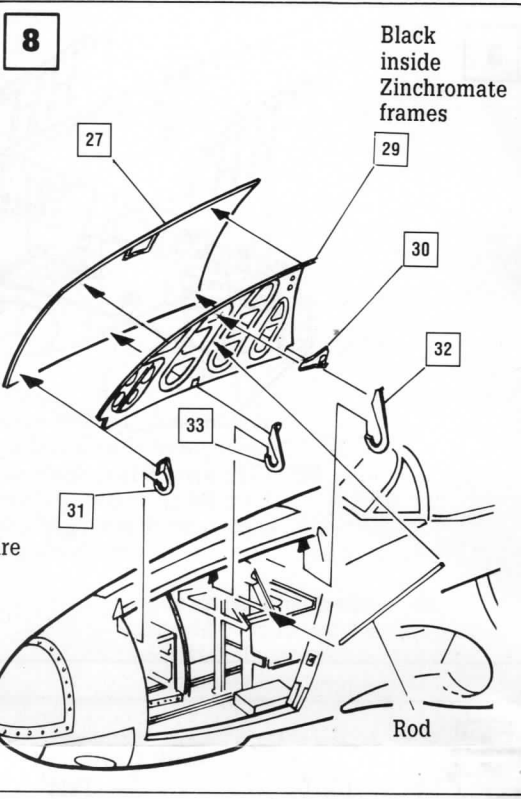
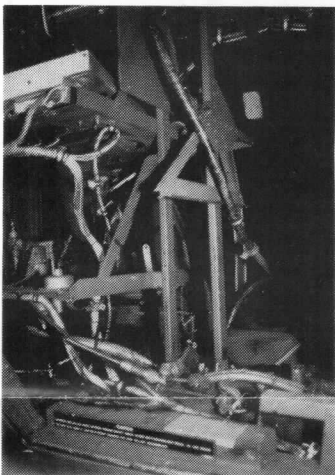
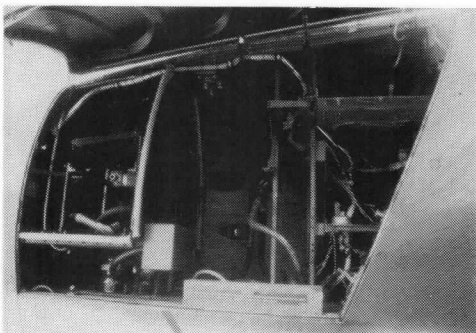


6



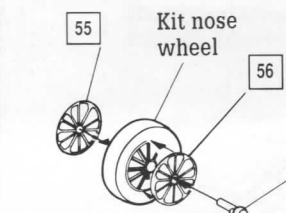


**NOTE**  
Test-fit position of R4/21  
with fuselage before  
gluing to kit part E2

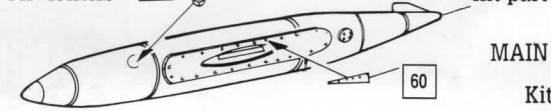


Add copper wire  
according to  
photos at  
left

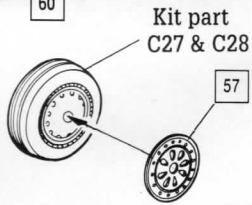
**NOSE WHEEL**



**TIP TANKS**



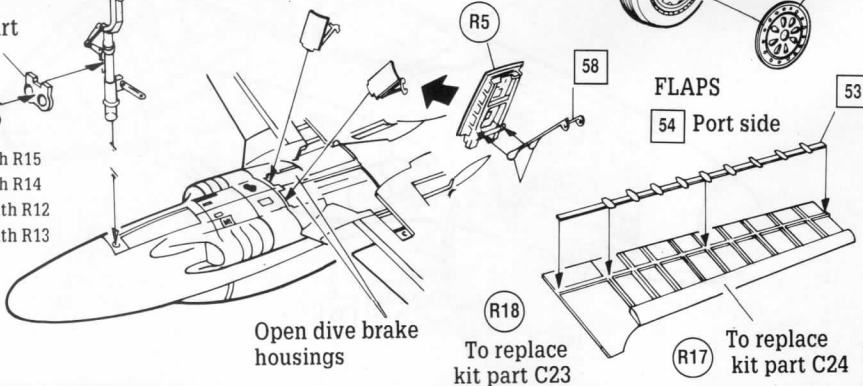
**MAIN WHEELS**



**FLAPS**

54 Port side

Replace C5 with R15  
Replace C6 with R14  
Replace C17 with R12  
Replace C18 with R13



Open dive brake  
housings

**9**