



F-16B

Block 20 & AN/VDS-5 LOROP-E0

F-4 Phantom IIs were widely adopted in US Air force and Navy during the Vietnam War, mainly used on air interception and ground attacking tasks, yet inferior to contemporary Russian fighters in terms of agility in close range air-to-air combat. While designing the next generation air superiority & interception fighters, the Energy-Maneuverability theory was developed. The new fighter will need high maneuverability, including a good turn rate, acceleration and range. Also it has to be low cost so that can be widely deployed, and assist the main force fighters to complete high-low deployment. F-16 Fighting Falcon lightweight fighter was developed from this concept.

There are model A and model B for initial F-16s. The model B is able to accommodate two pilots for training missions. Under model suffix, block numbers were added to designations to show minor equipment variations between production blocks. The US government agreed to export F-16 A/B Block 20 fighters to the RoC, known as Peace Fenghuang (Peace Phoenix) Foreign Military Sales program, including 120 A models and 30 B models. This Block 20 batch adopted fuselage from Block 15; wings and vertical tail from Block 50/52 and F100-PW-220 engine (same as Block 30/40).

After the RF-104G's retirement in 1998, the RoCAF could only operate RF-5E (converted by the Singapore Technologies Engineering Ltd) to conduct tactical reconnaissance missions. Yet, limited by speed and photo equipments, RF-5E could only be regarded as a stopgap. Therefore the Air Force initialed Project Phoenix Eyes, which covers 10 sets of Lockheed Martin AN/VDS-5 LOROP photo reconnaissance pads. This recon pad was designed dedicated for F-16. It accommodates long-range oblique camera, covering range up to 50 nautical mile s. Other than photo reconnaissance, it can also transfer the image through digital data link so that the commander can use in real time for combat information.

越戰時大量於美國海空軍服役的F-4幽靈II式戰機，普遍執行制空攔截與對地攻擊的任務，但在近距格鬥戰表現卻不如同時期敏捷的蘇聯戰鬥機。因而在發展後繼F-4的空優、攔截機種時，產生了輔助戰機的概念。這種戰機著重高運動性能，包含迴轉率與加速率，同時具有低成本，能夠大量布署，與主力戰機構成高低配的組合，在這個概念下脫穎而出的輕型戰機便是F-16「戰隼」。

最初的F-16分別有A與B兩個次型，B型可搭乘兩名飛行員，主要擔負訓練的任務。在次型之外，F-16又以批次 (Block) 來註記生產歷程中升級的狀態。1992年美國同意出售F-16A/B Block20戰機與中華民國，這項軍售案的代號是和平鳳凰計畫，其中包括了120架A型與30架B型，這批Block20戰機採用與Block15相同的機身，主翼和垂直尾翼則是Block50/52的規格，發動機則是與Block30/40相同的F100-PW-220。

自1998年RF-104G正式除役之後，中華民國空軍僅有由新加坡宇航公司所改裝的RF-5E接替戰術偵察的任務，但受限於速度與偵照設備，RF-5E只能做為一種過渡機型，因此空軍又執行了一個名為「鳳眼計劃」的採購案，於2004年起陸續接收十套洛馬公司AN/VDS-5型LOROP偵照英艙，這型專為F-16所設計的偵照英艙，這型英艙的長距離斜視相機，偵測距離長達五十海哩，除了直接拍攝戰術性目標外，還可將攝下的視訊以電子影像處理傳回基地，做為實時作戰資訊戰場指揮官運用。

Illustration:圖示說明



Method For Applying Decals:

1. Clean Model Surface With Wet Cloth.
2. Cut Out Of Decal Sheet And Dip Them In Warm Water For 15 Seconds.
3. Place it on proper position on model.
4. Slide off base paper leaving decals On Model With Wet Finger Tip.
5. Move Decals To Exact Position, Push Out Excess Water Under Decal With Soft Cotton Cloth.
6. When Decals Get Dry Then Complete.

水貼紙使用說明:

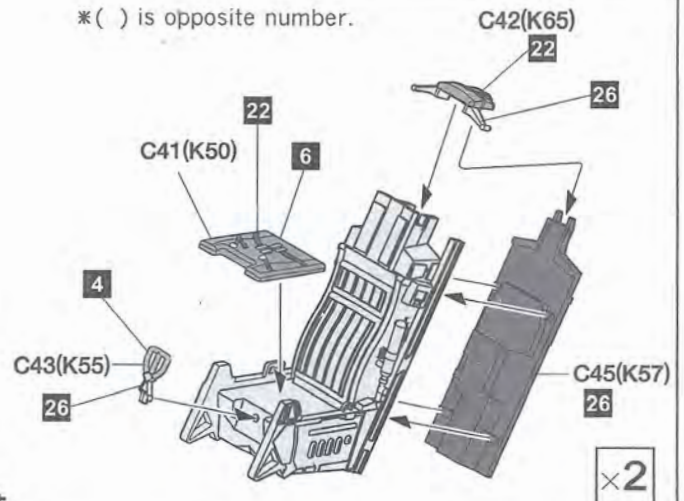
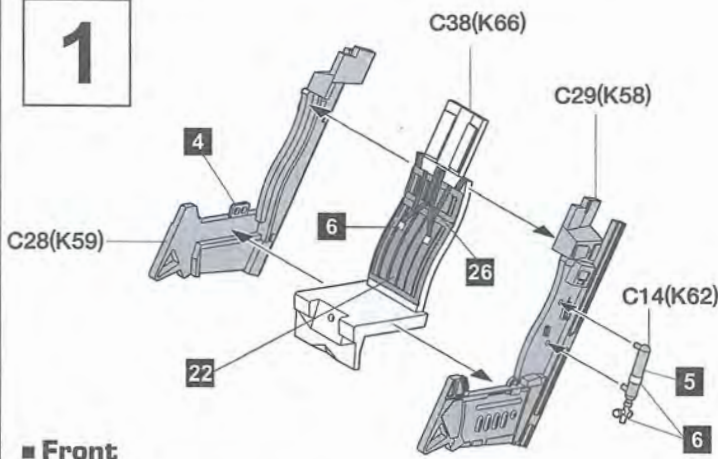
1. 將模型表面擦乾淨
2. 將貼紙剪下泡入溫水中浸泡約15秒
3. 將泡濕之貼紙取出置於欲貼處旁
4. 用指尖輕推貼紙表面使其滑出底紙
5. 將貼紙調整至適當位置並輕擦拭水份
6. 待其自然乾燥後即完成

Color list: 塗料表

Color	Brand	Gunze Sangyo			Humbrol	Revell	Lifecolor
		Hobby Color	Mr.Color	Mr.Color Spray			
1 White	白	H1	C1	J1	22	4	LC51
2 Black	黑	H2	C2	J2	21	7	LC52
3 Red	紅	H3	C3	J3	19	31	LC56
4 Yellow FS13538	黃	H329	C329		188		LC53
5 Bright green	翠綠	H26	C66		2		LC11
6 Silver	銀	H8	C8	J8	11	90	LC74
7 Burnt iron	燒鐵	H76	C61		53		LC26
8 Clear red	透明紅	H90	C47	J47	1321		
9 Clear orange	透明橘	H92	C49	J49			
10 Clear blue	透明藍	H93	C50	J50			
11 Flat white	消光白	H11	C62	J62	34	5	LC01
12 Flat black	消光黑	H12	C33	J33	33	8	LC02
13 Flesh	肉色	H44	C51		61	35	LC41
14 Metal black	金屬黑	H28	C61		12533		LC76
15 RLM80 Olive green	橄欖綠		C120				UA138
16 Khaki	卡其	H81	C55		72		UA39
17 Yellow FS33531	黃	H313	C313		168		DR05
18 Brown FS30219	褐	H310	C310		119		UA15
20 Red brown	紅褐	H47	C41		160	383	UA85
21 Olive drab FS34087	橄欖褐	H304	C304		155		UA03
22 Khaki green	卡其綠	H80	C54				
23 Duck egg green	鴨蛋綠	H74	C26		23		UA96
25 Gray FS36320	灰	H307	C307		128	374	UA27
26 Gray FS36375	淺幽灰	H308	C308		127		UA26
27 Gray FS36118	灰	H305	C305		125		UA22
28 Dark gull gray FS36231	深鷗灰	H317	C317		140		UA33
29 Gray FS36270	中灰	H306	C306		126		UA28
30 Light blue 2	淺藍	H323	C323				H28
31 Clear green	透明綠	H94					
32 Barley gray BS4800/18B21	麥灰	H334	C334		167		UA21
33 Wood brown	木棕	H37	C43		169		FS12

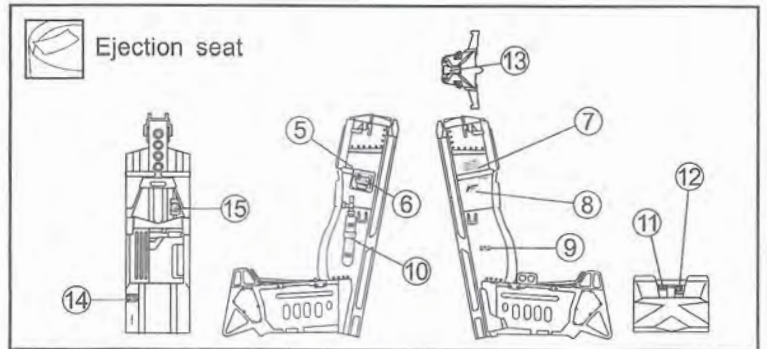
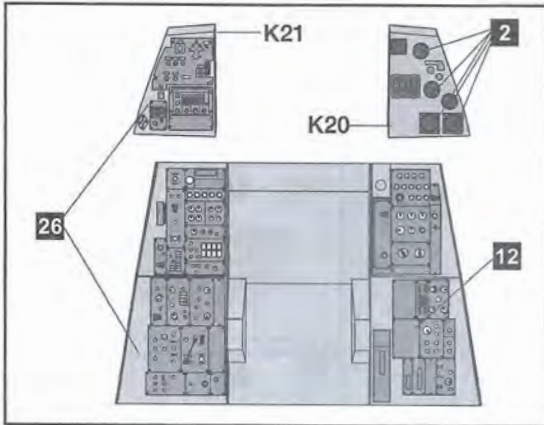
1

*() is opposite number.



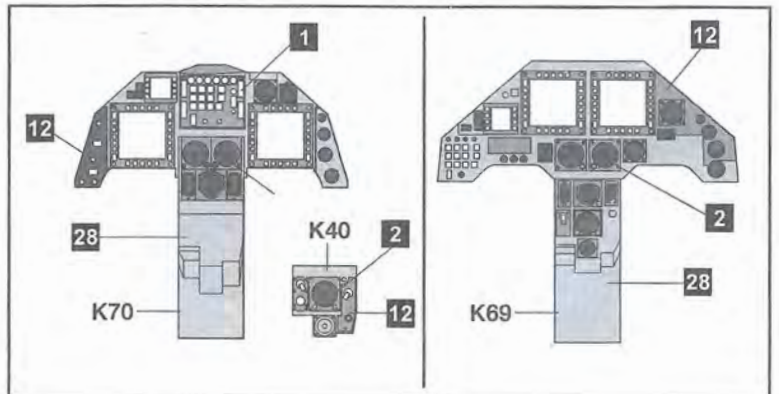
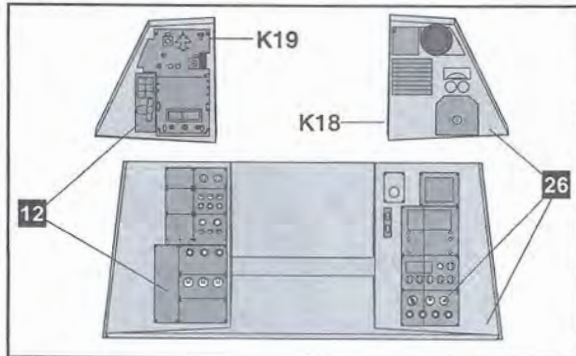
■ Front

■ Seat

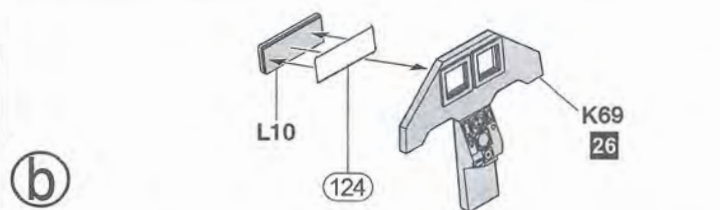
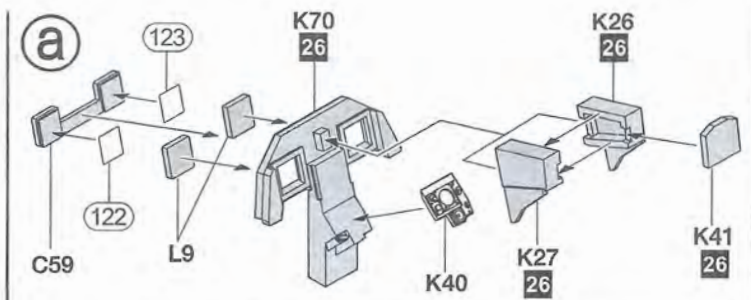
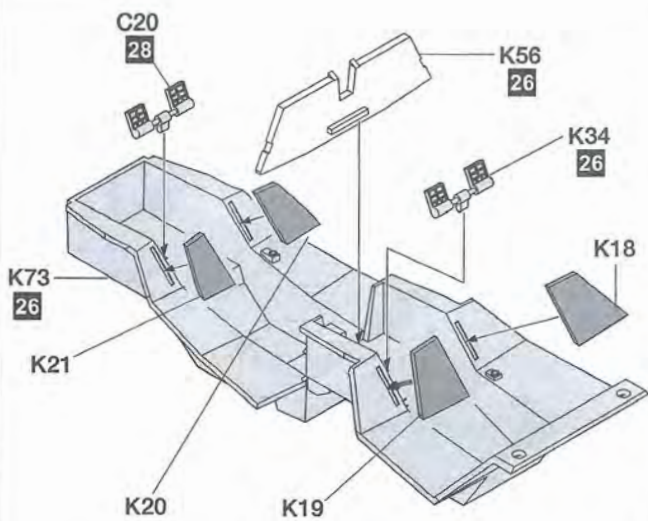


■ Rear

■ Instrument panel



2



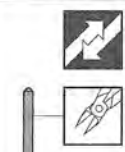
3

《 Open 》

K44

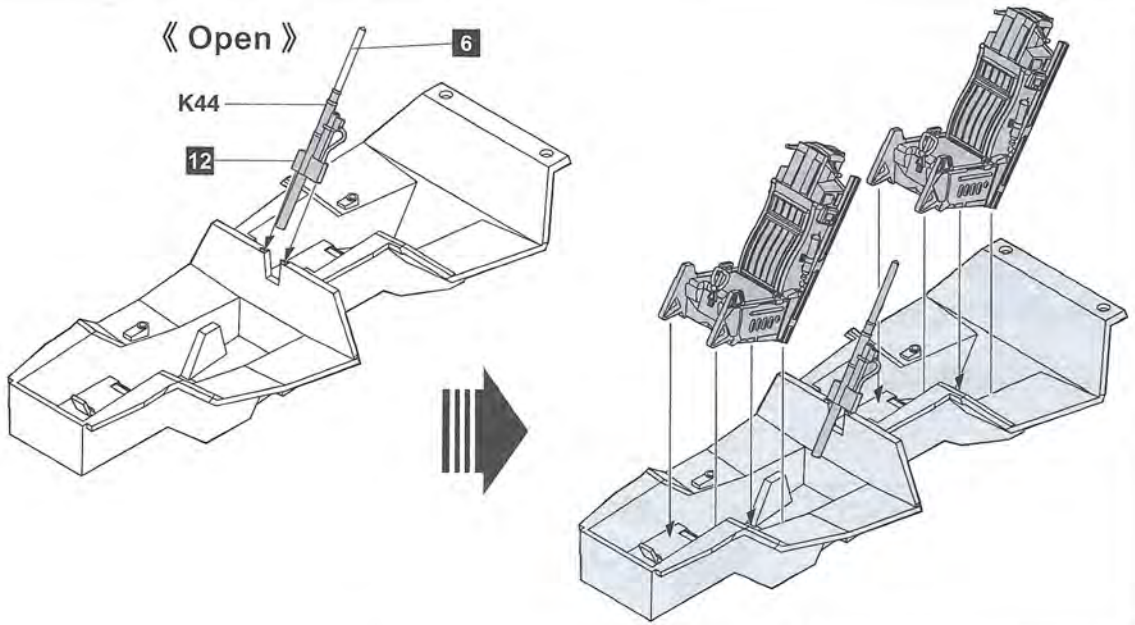
12

6

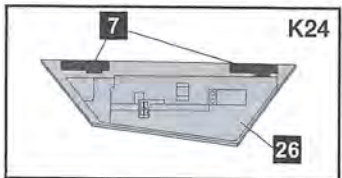
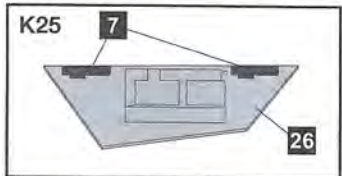
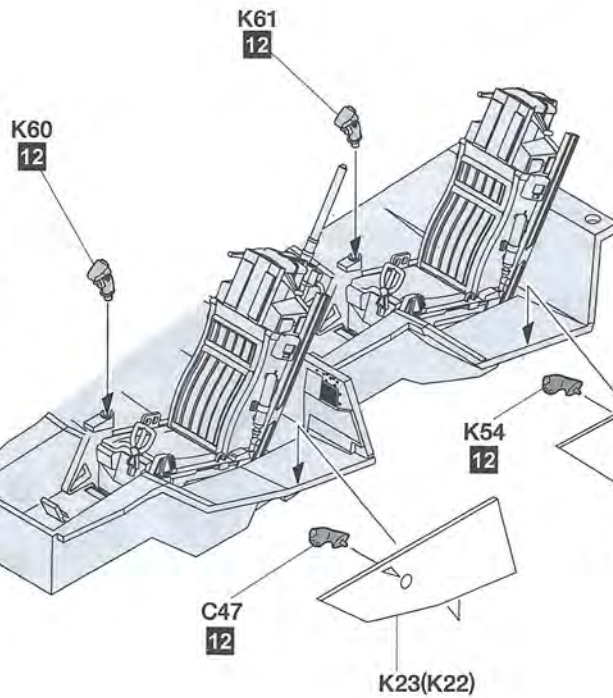
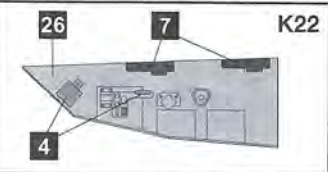


K44

《 Closed 》



4



* () is opposite number.

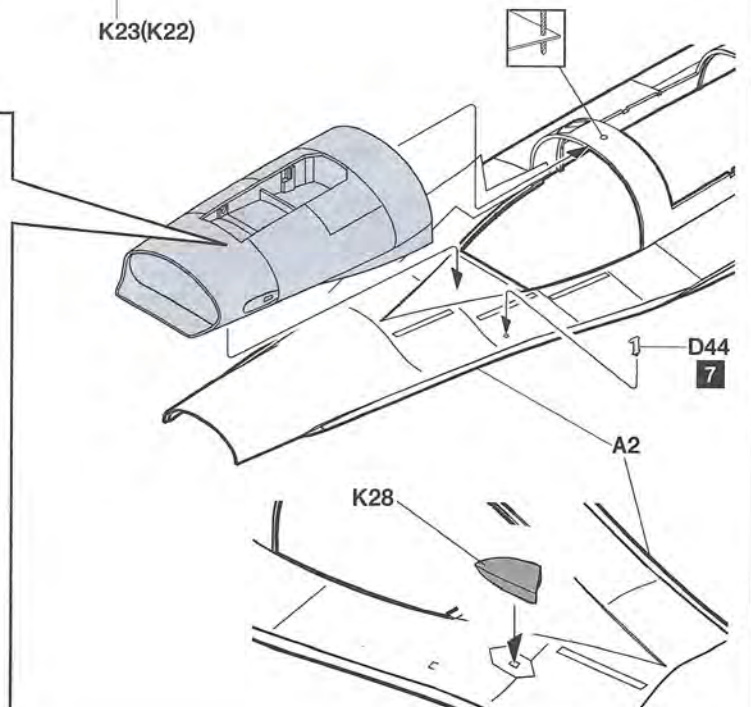
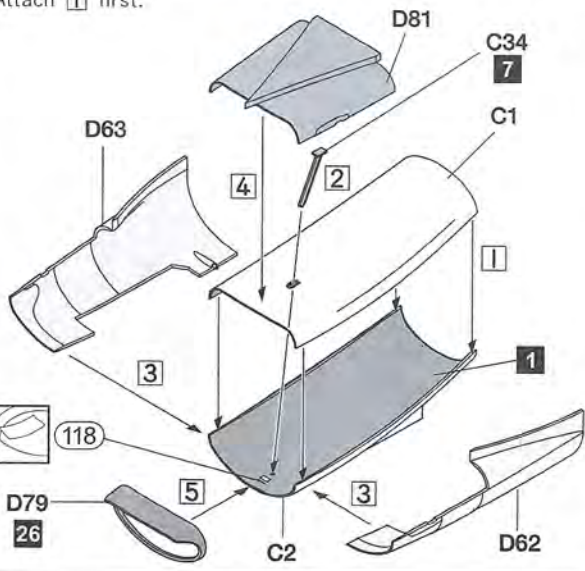
K25(K24)

C47
12

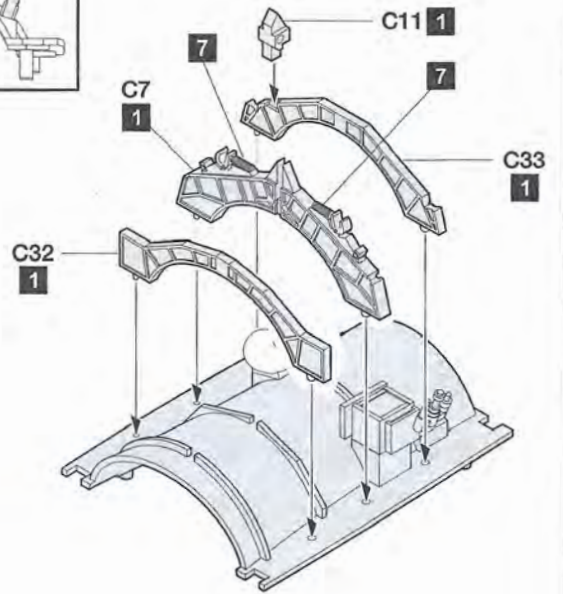
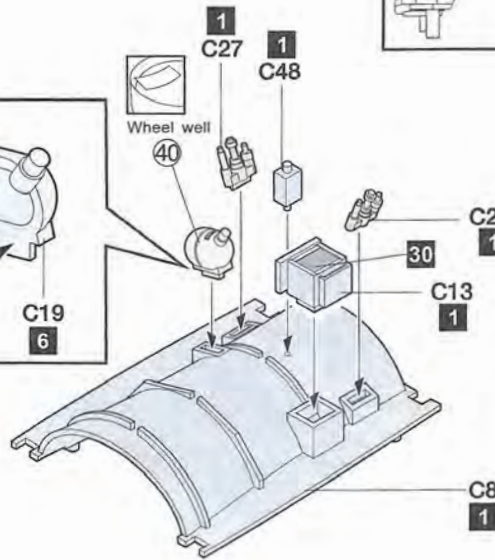
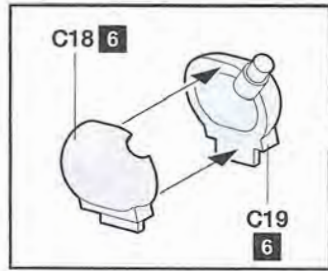
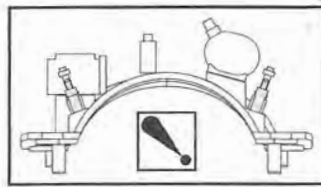
K23(K22)

5

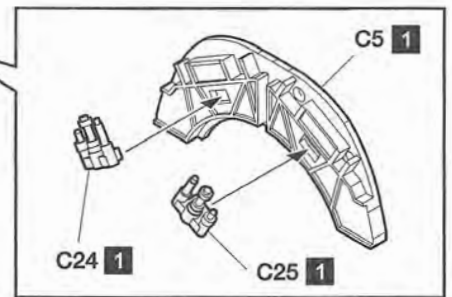
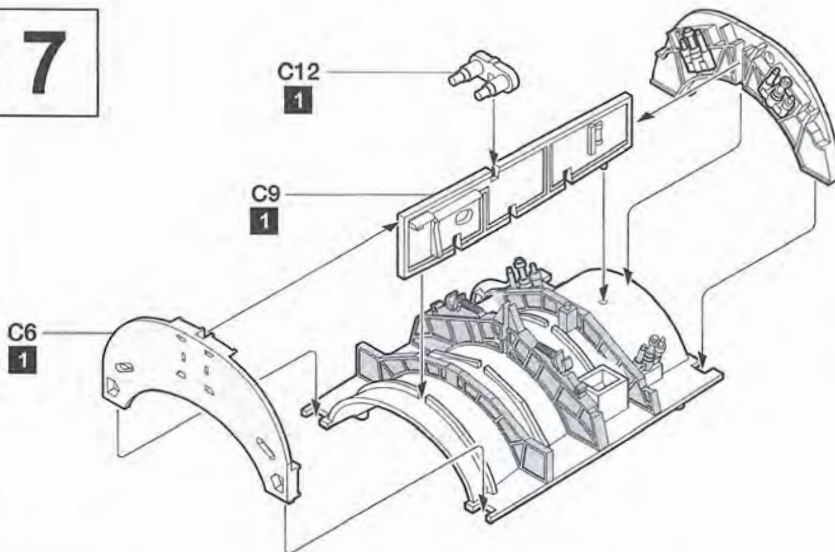
* Attach 1 first.



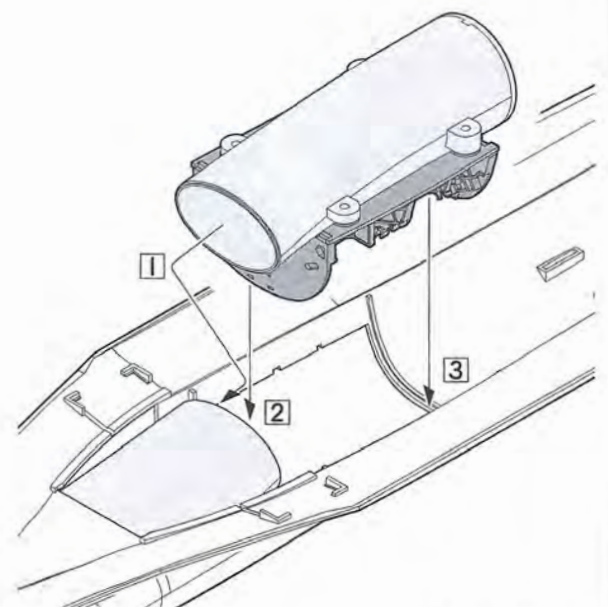
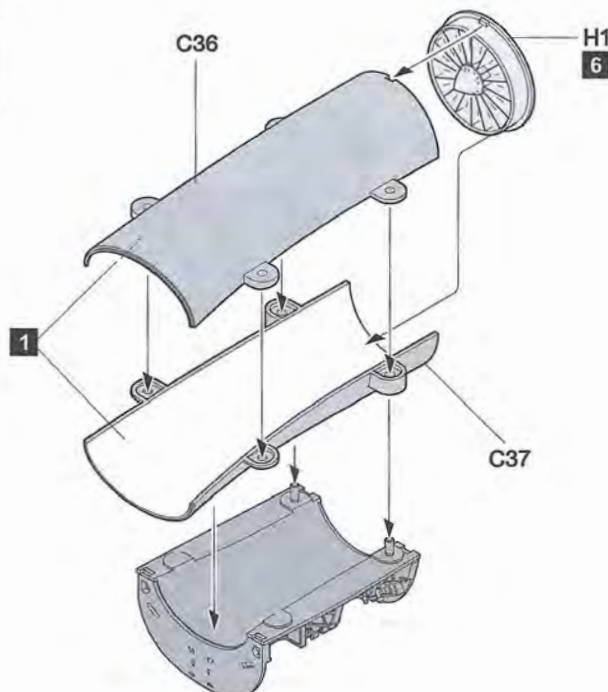
6



7

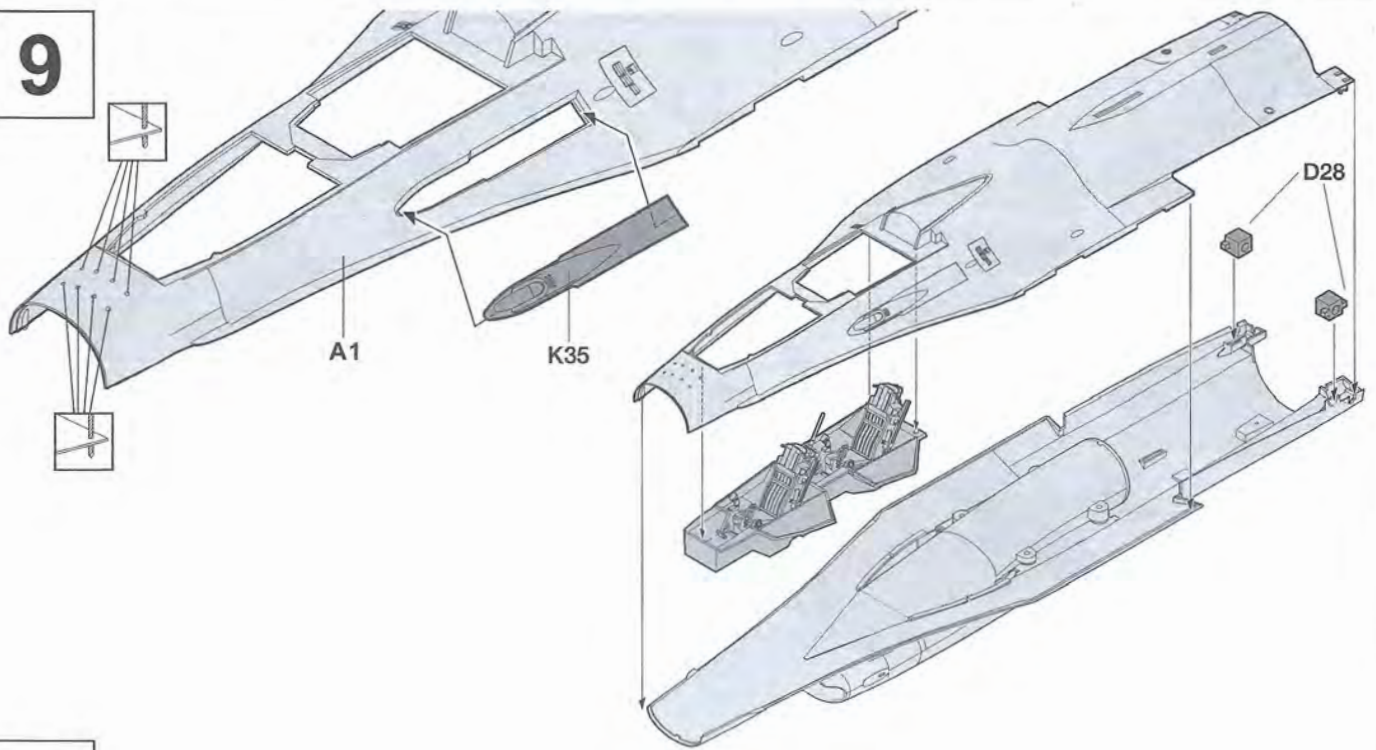


8

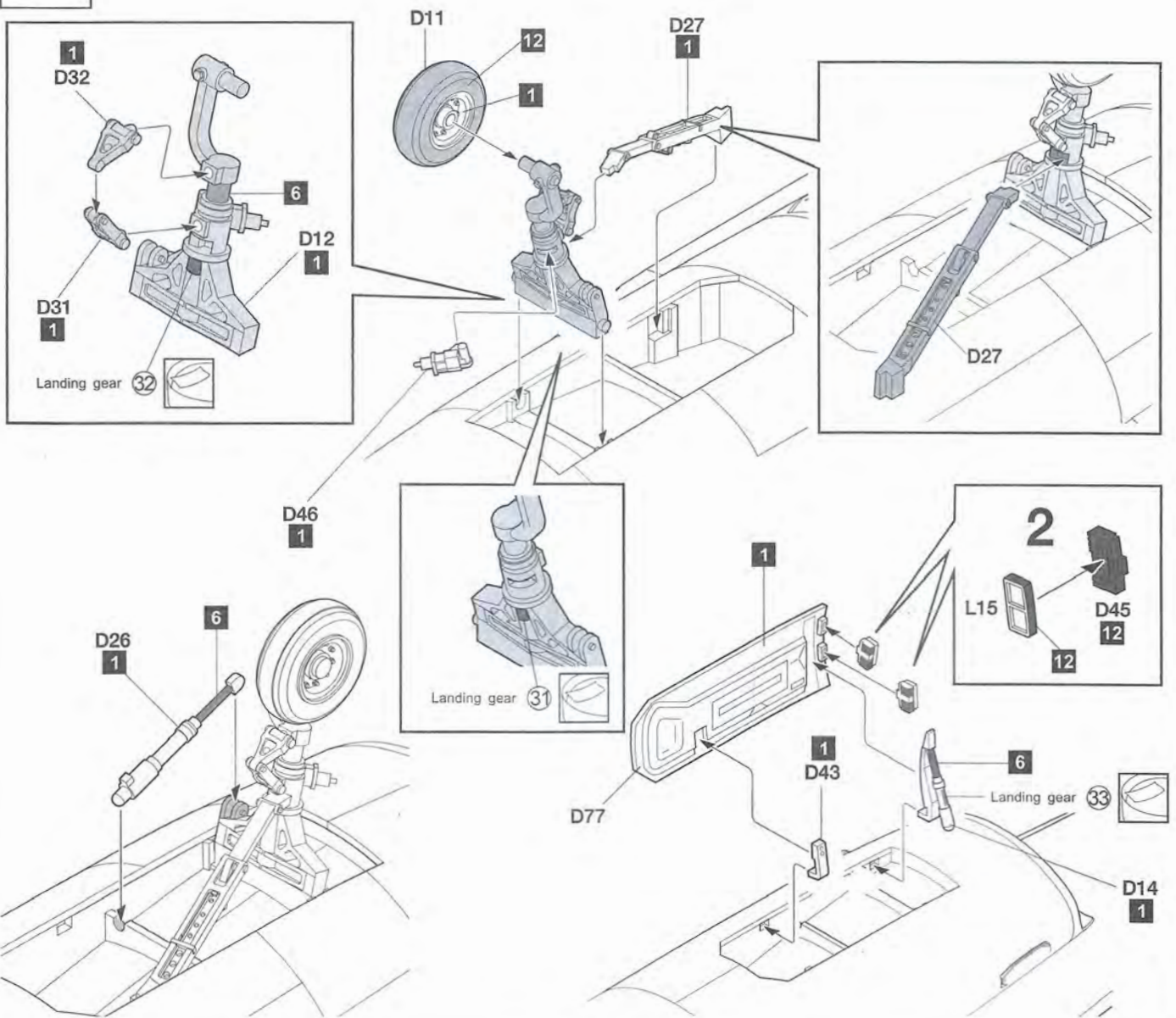


※ Attach 1 first.

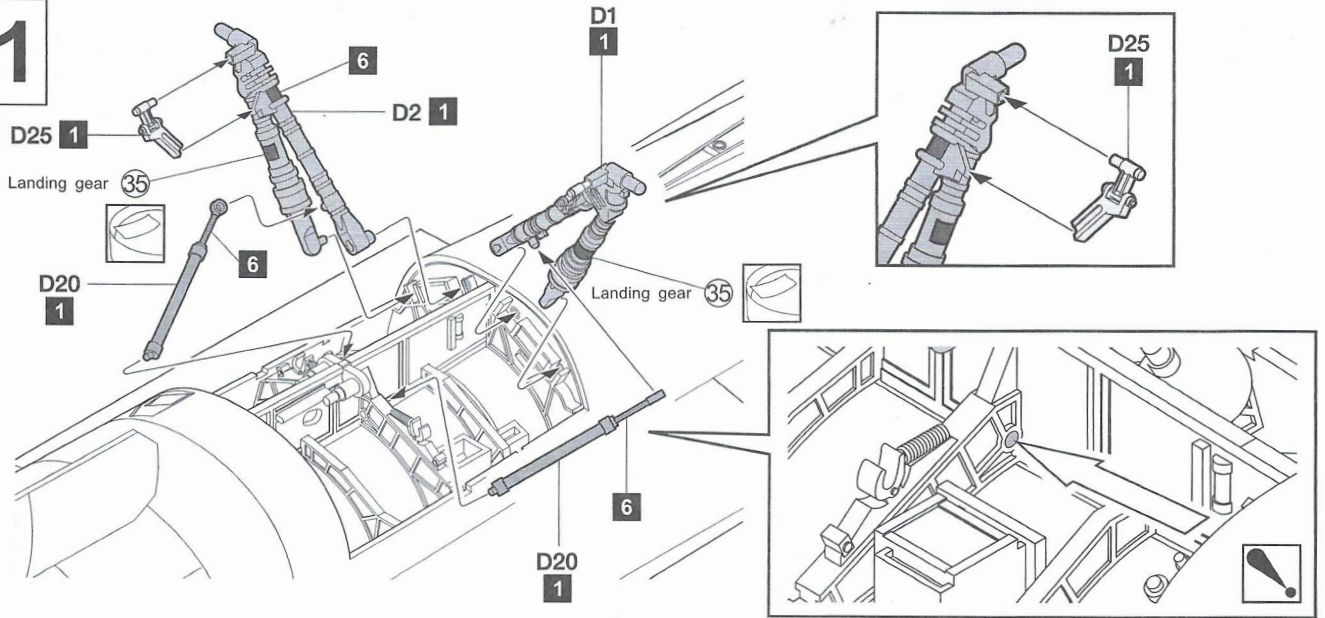
9



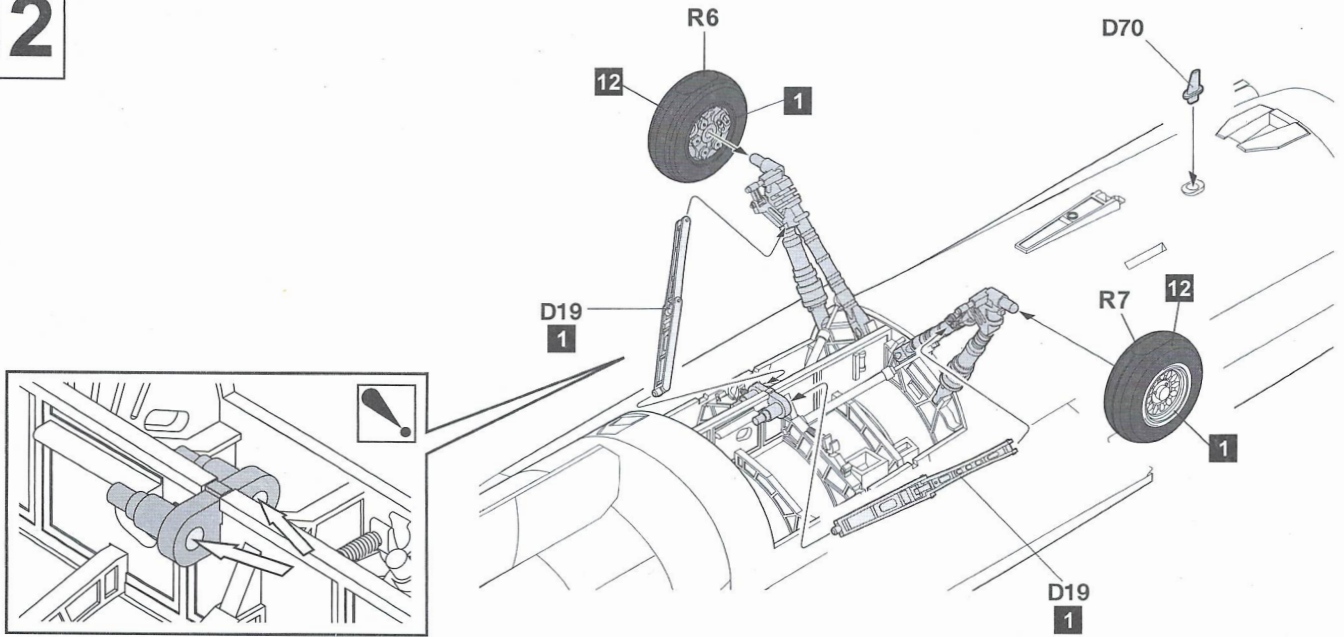
10



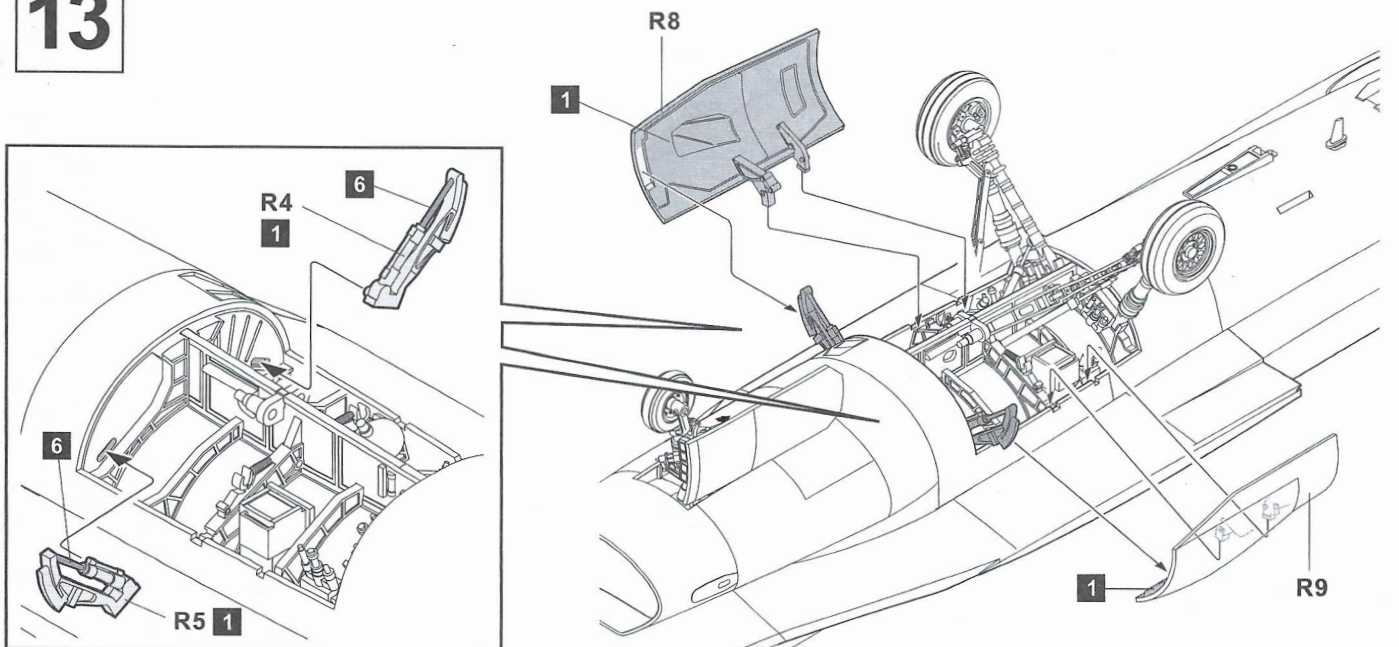
11



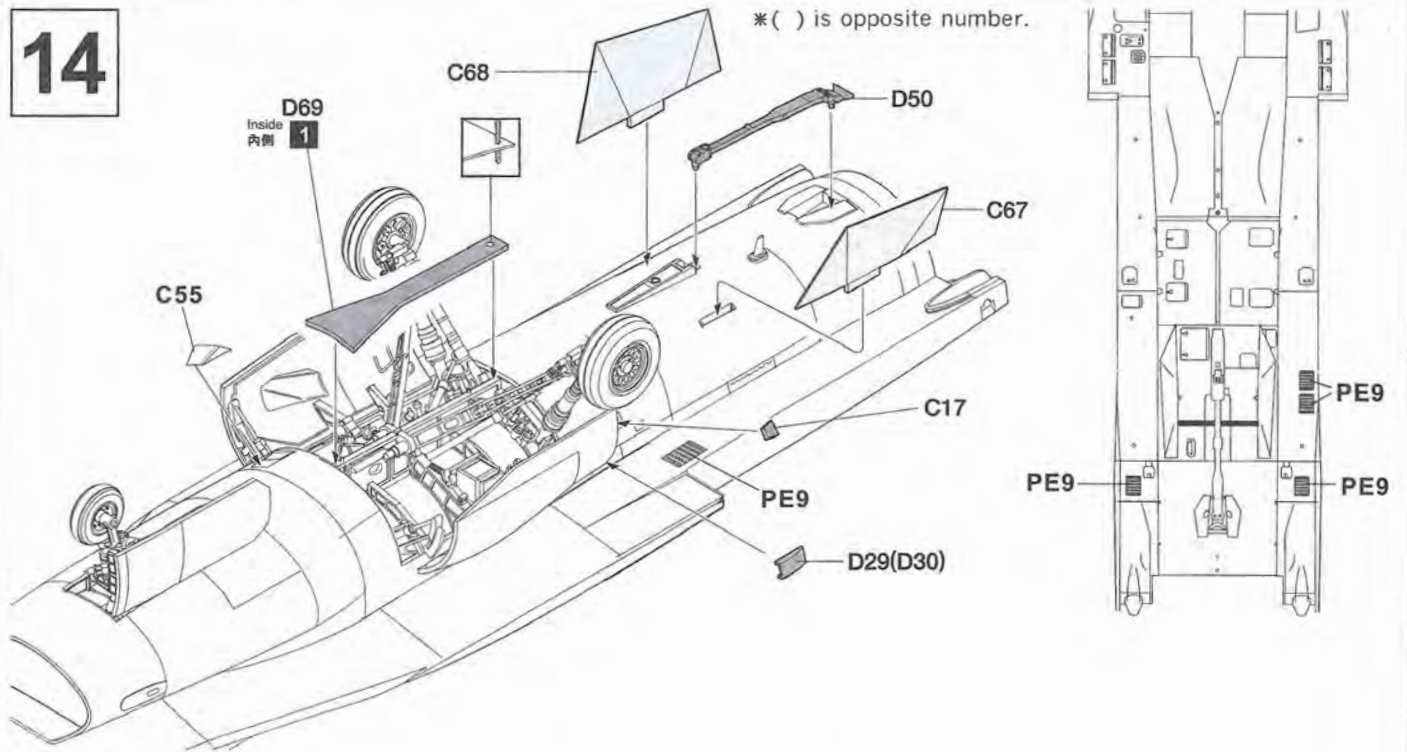
12



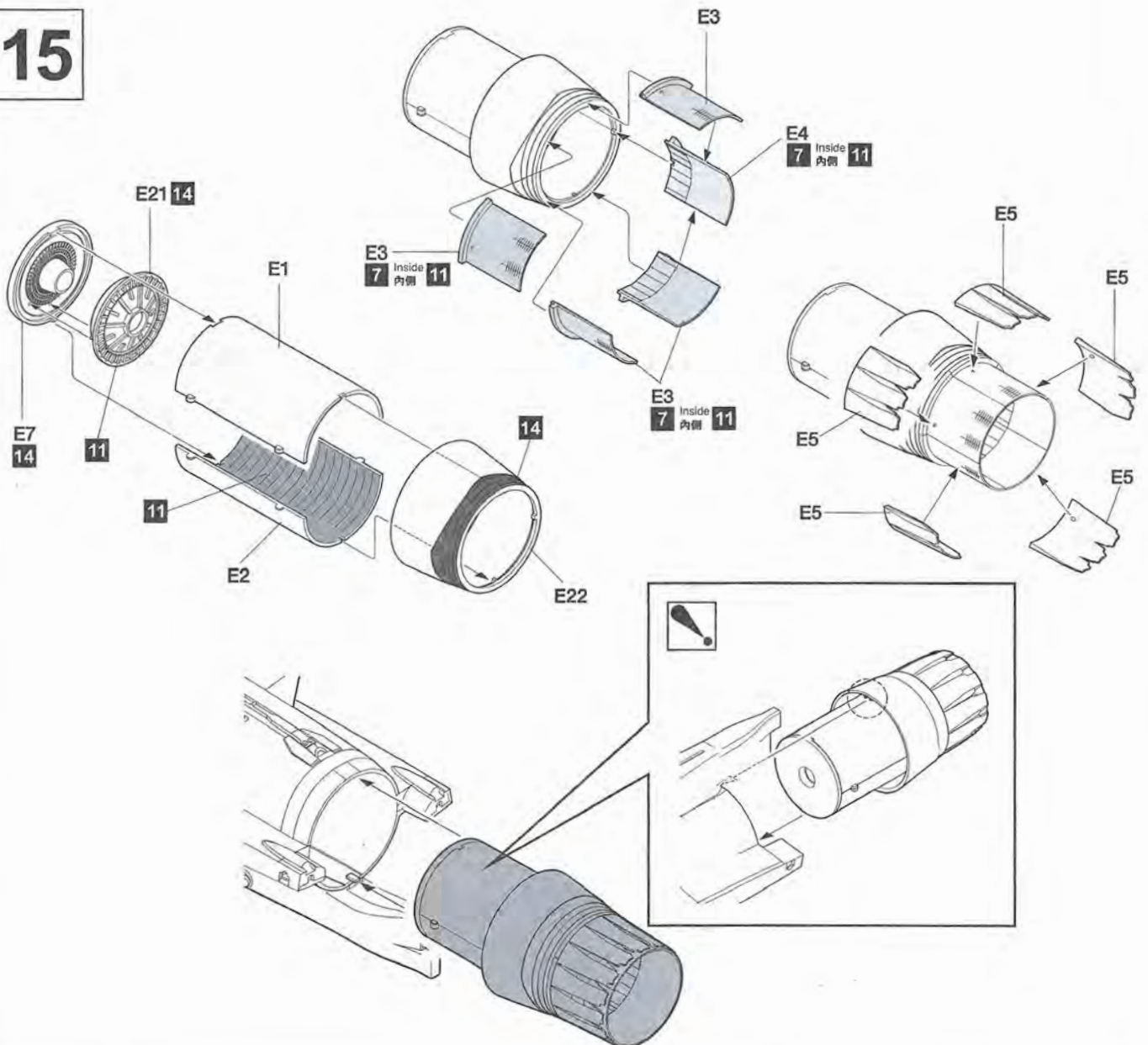
13



14

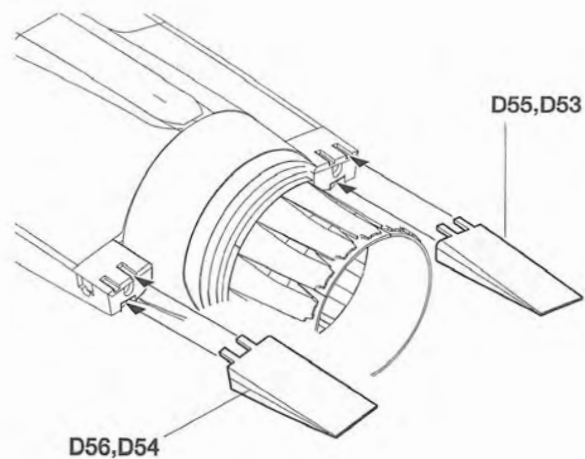


15

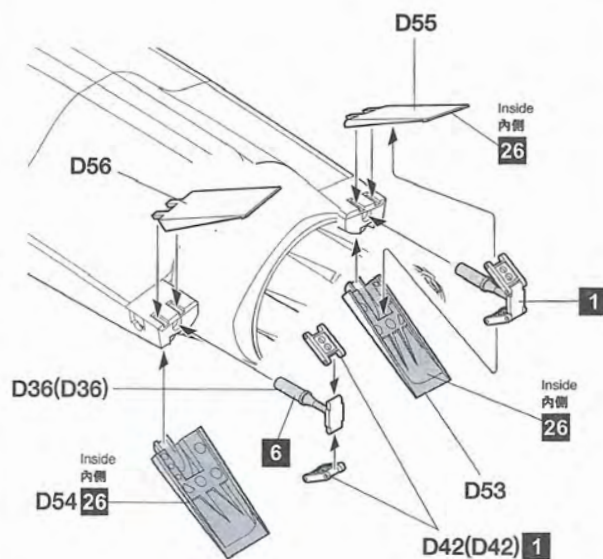


16

■ Closed

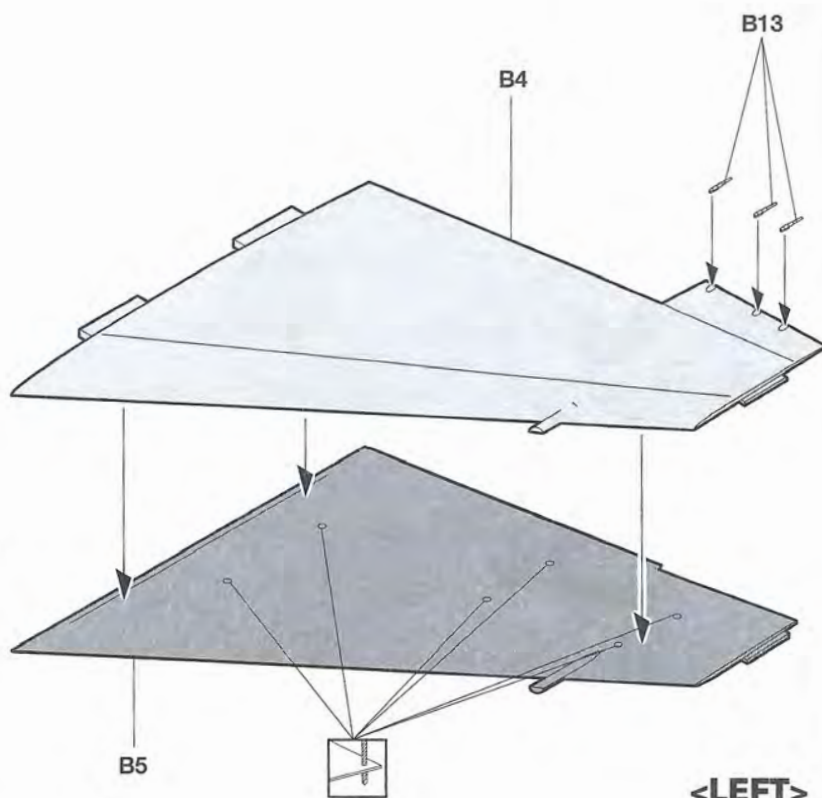
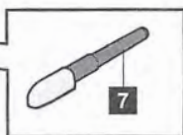
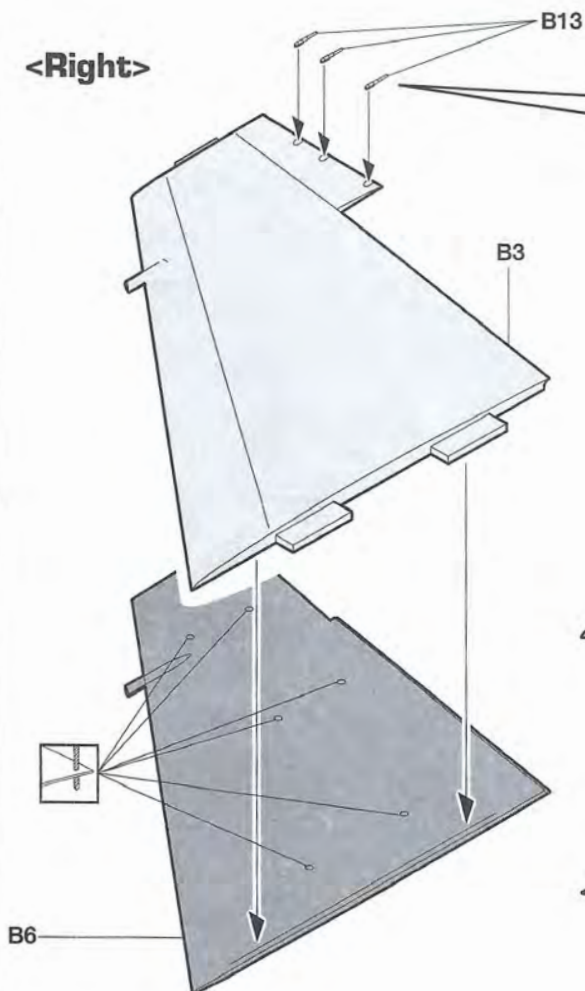


■ Open



17

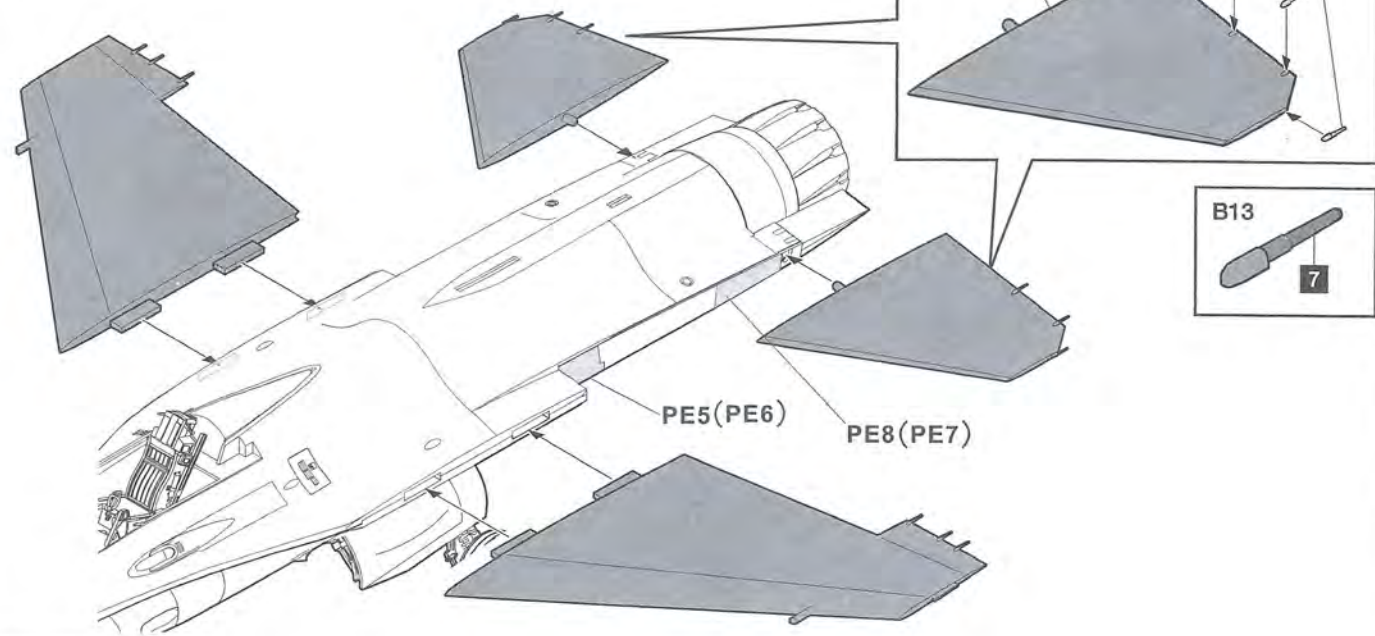
<Right>



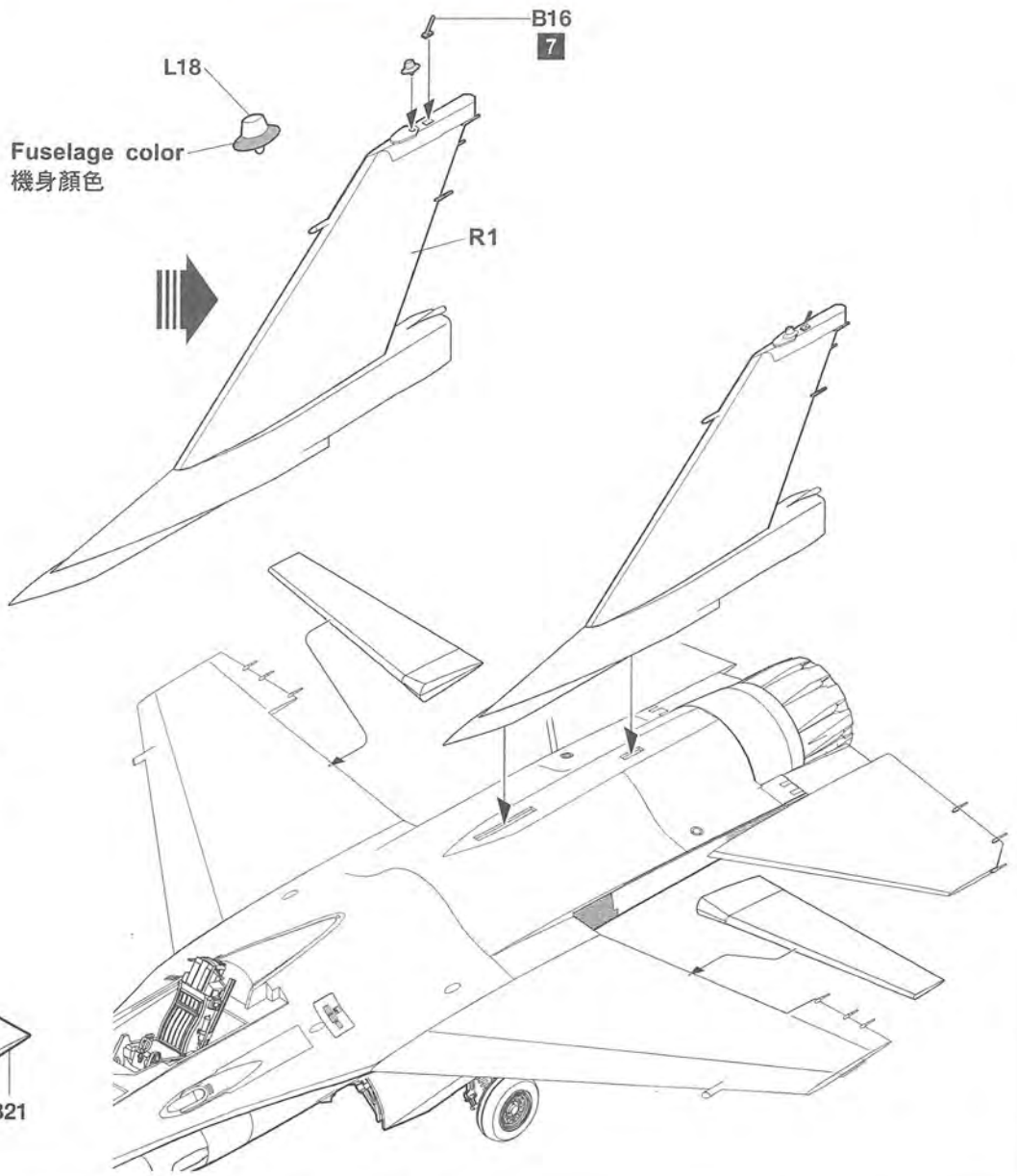
<LEFT>

18

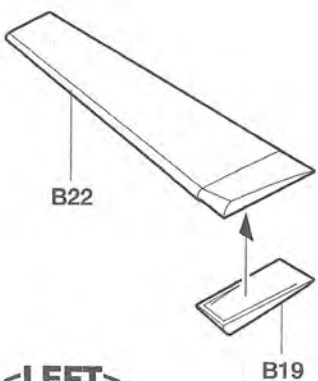
*() is opposite number.



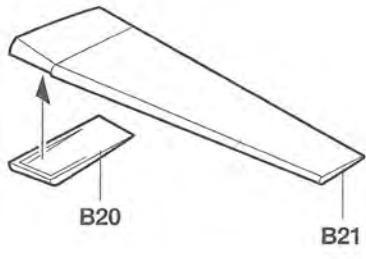
19



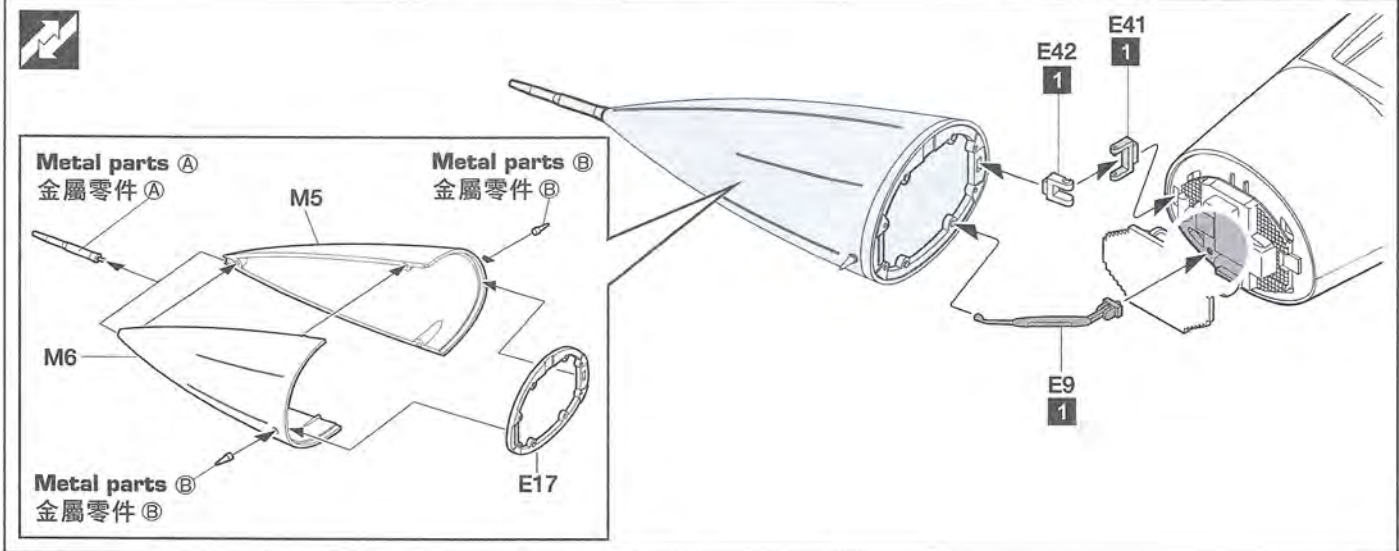
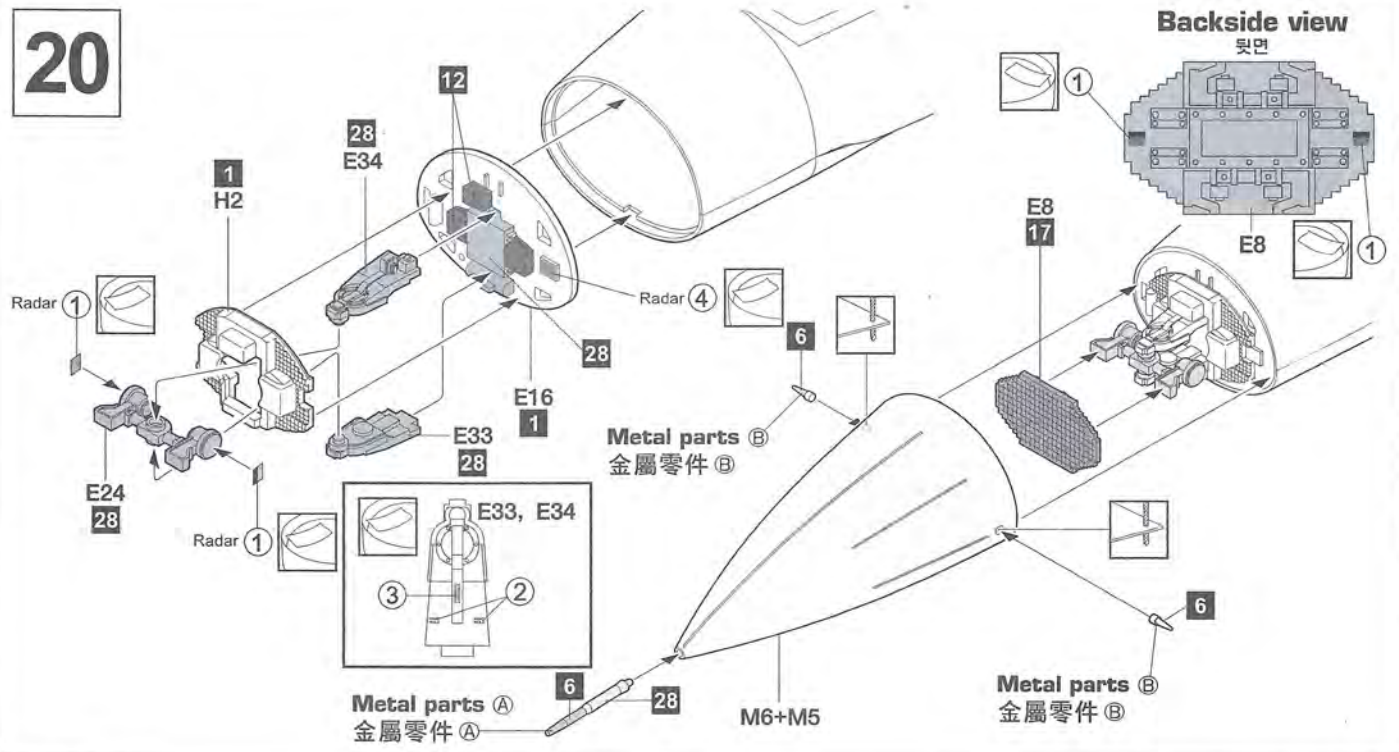
<Right>



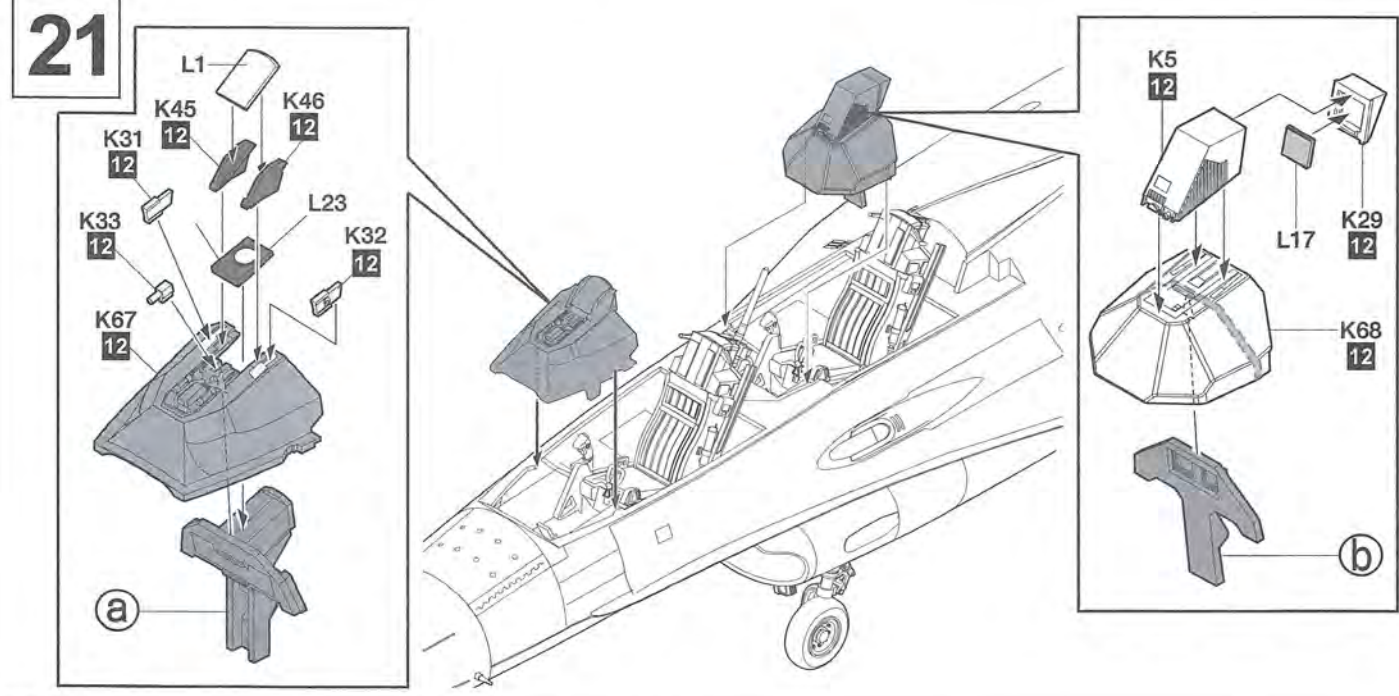
<Left>



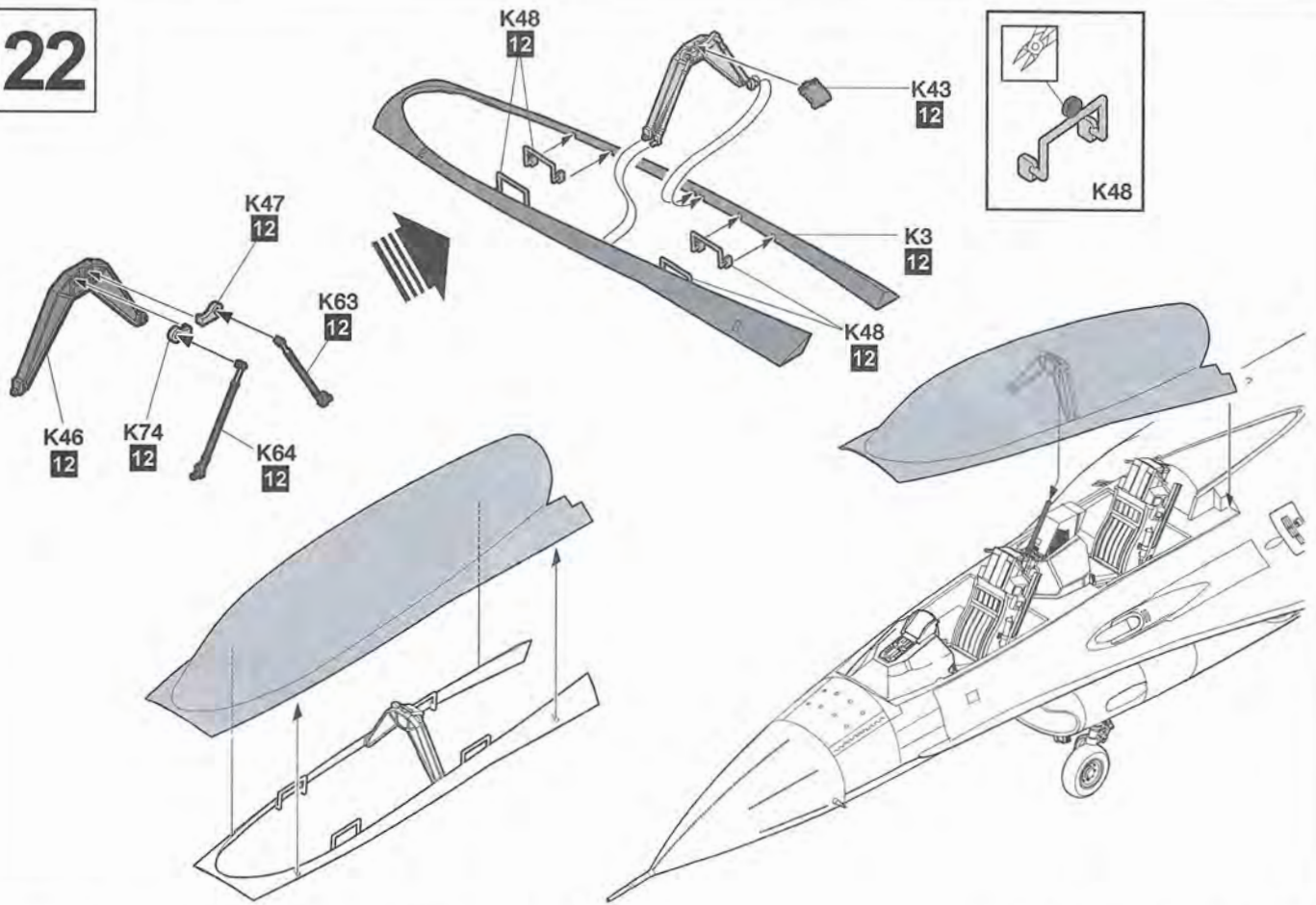
20



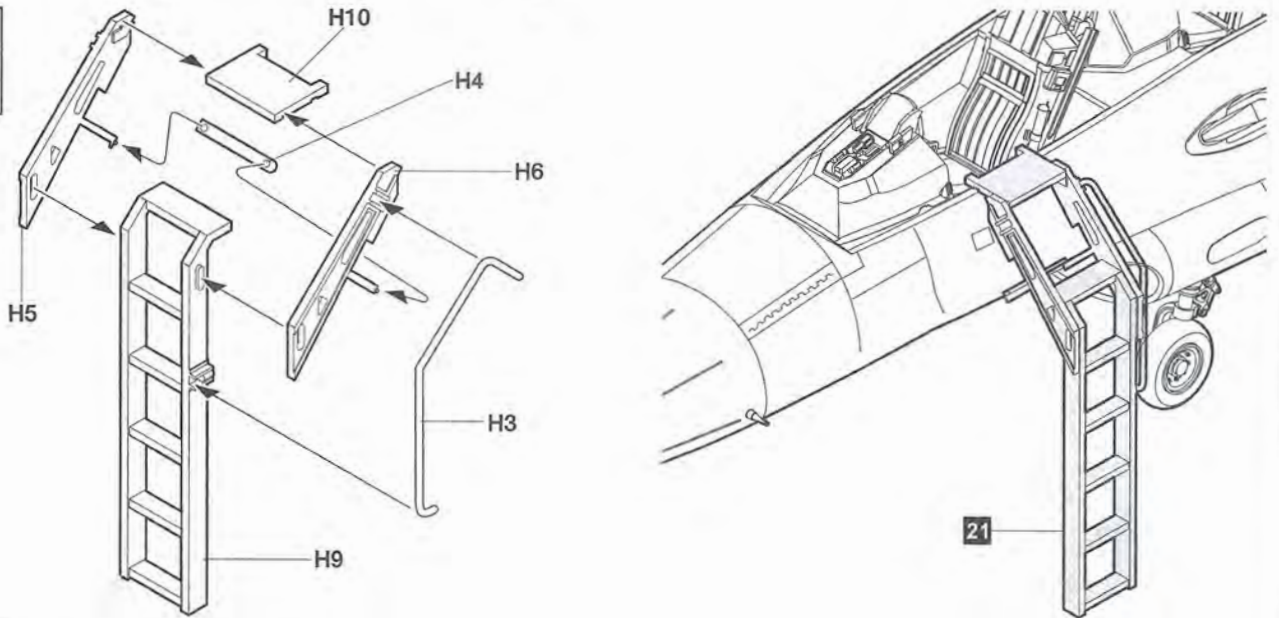
21



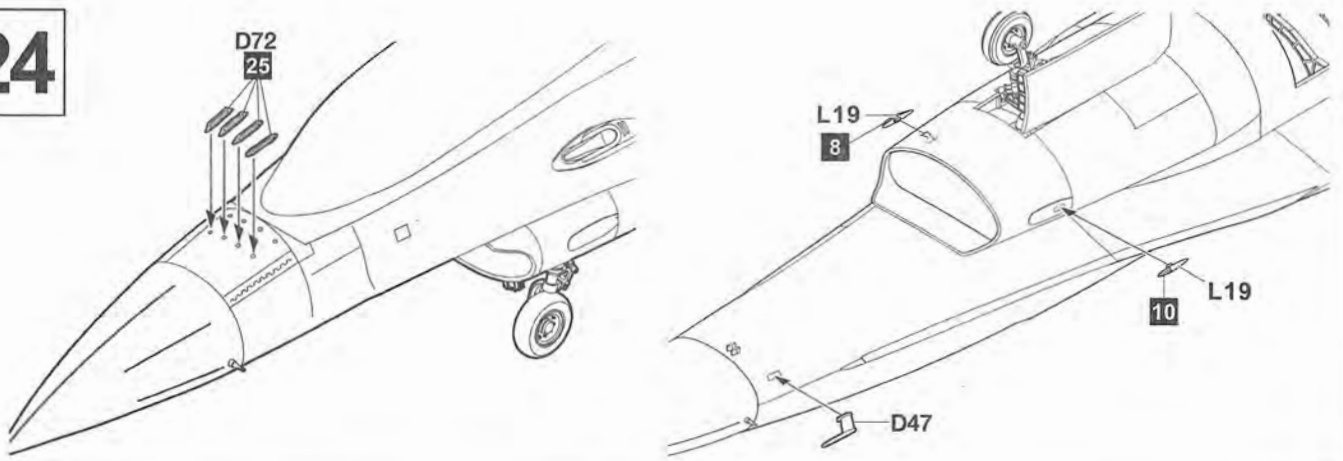
22



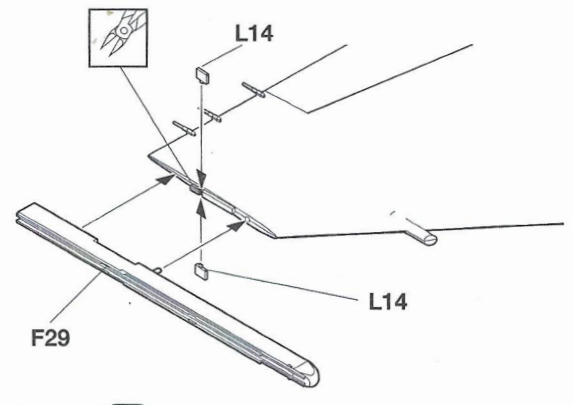
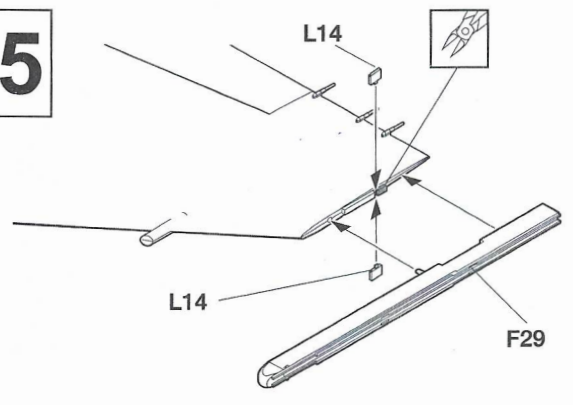
23



24

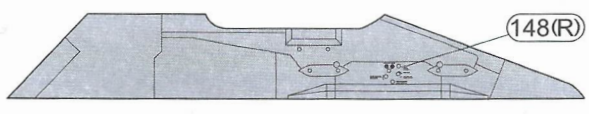
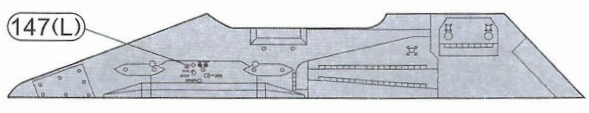
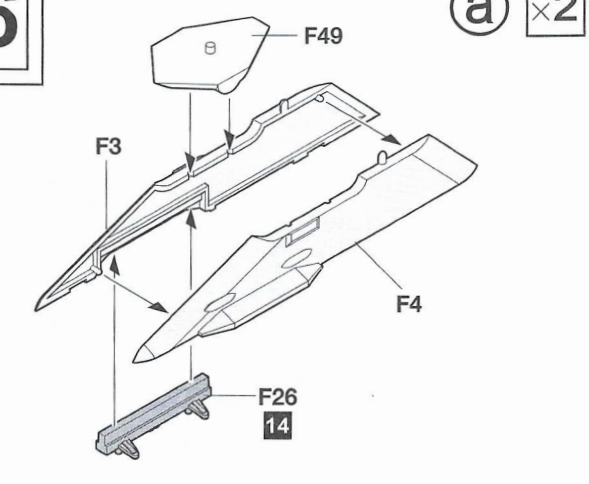


25

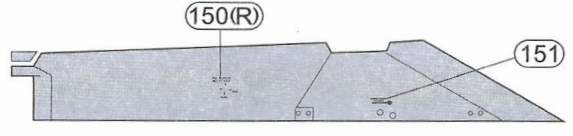
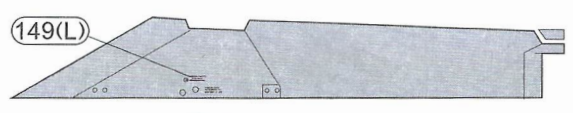
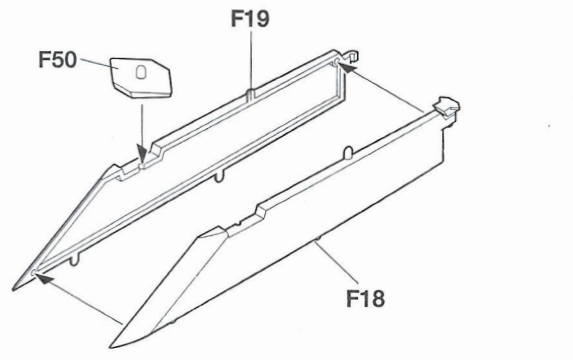


26

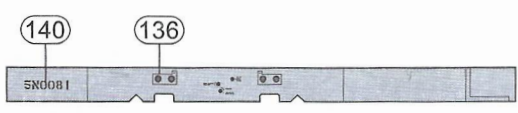
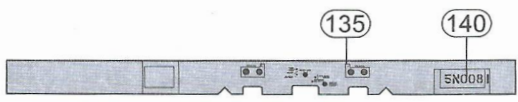
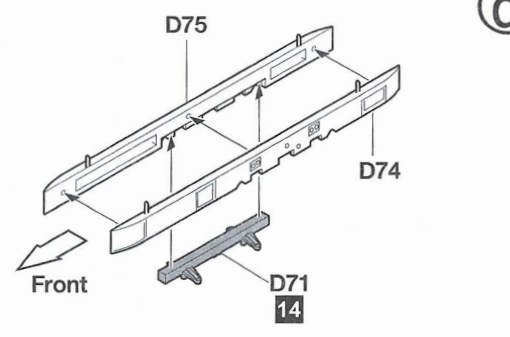
(a) x2



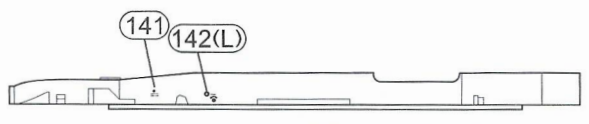
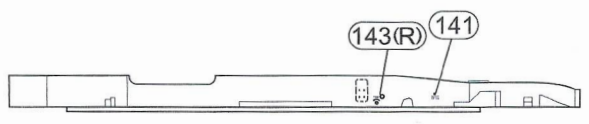
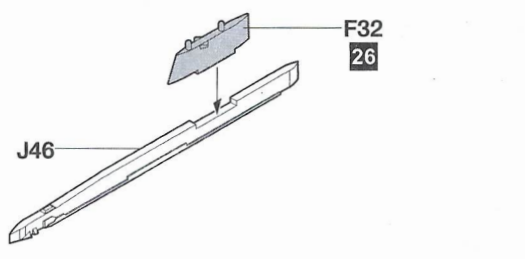
(b) x2



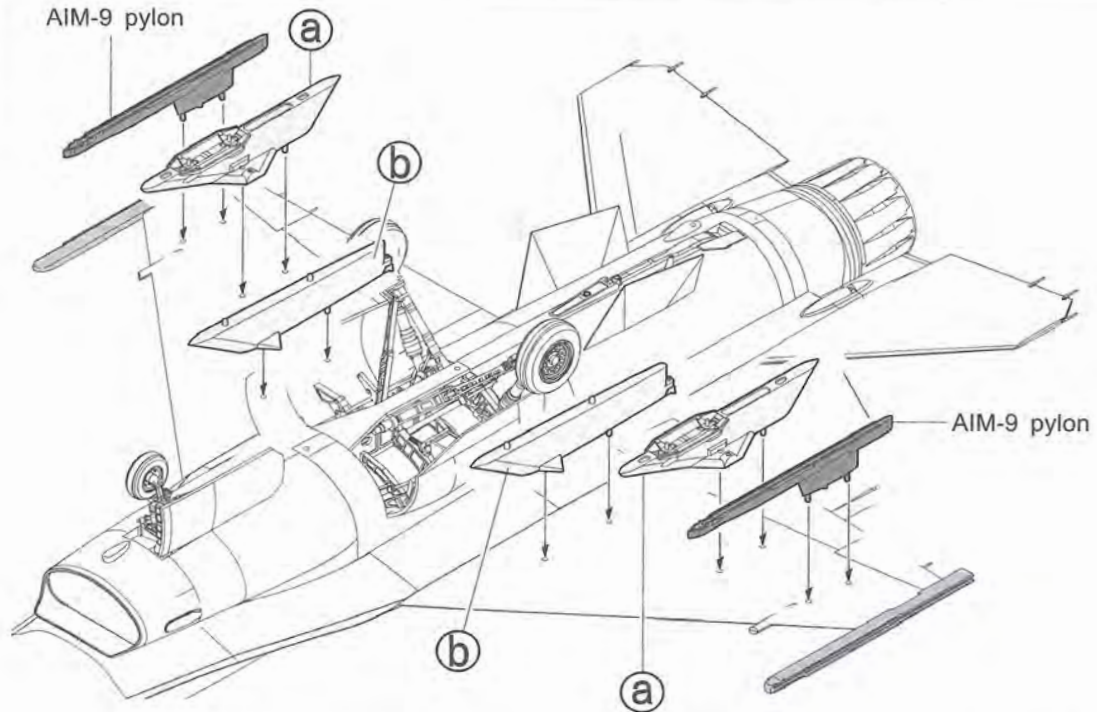
(d)



AIM-9 pylon x2



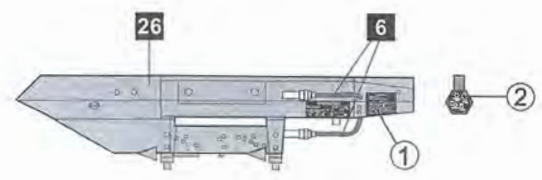
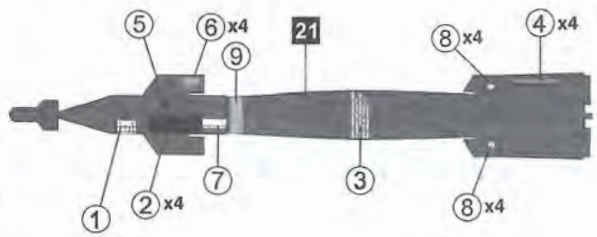
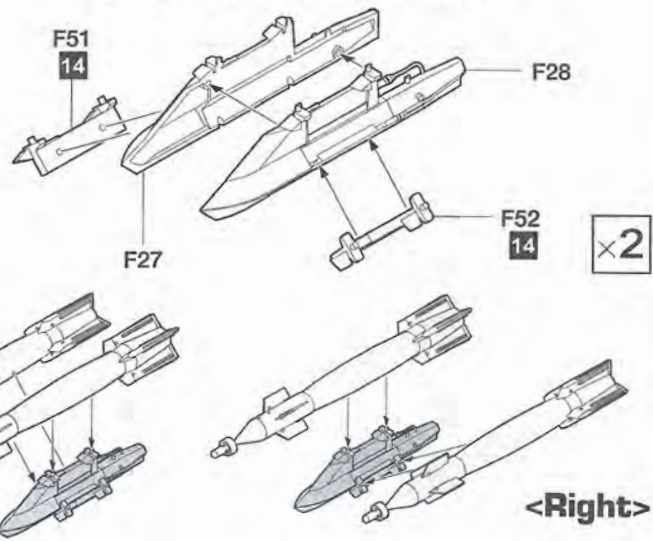
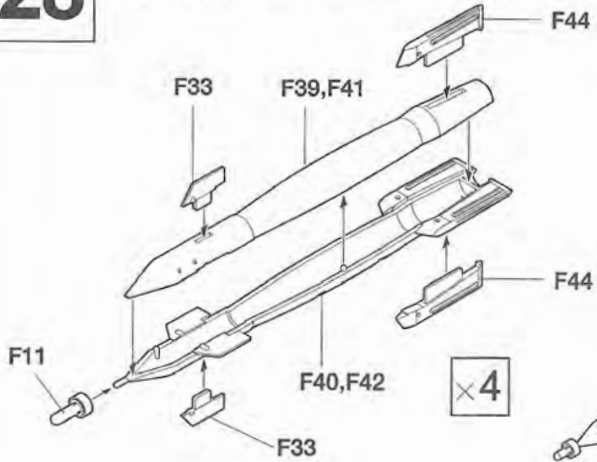
27



28

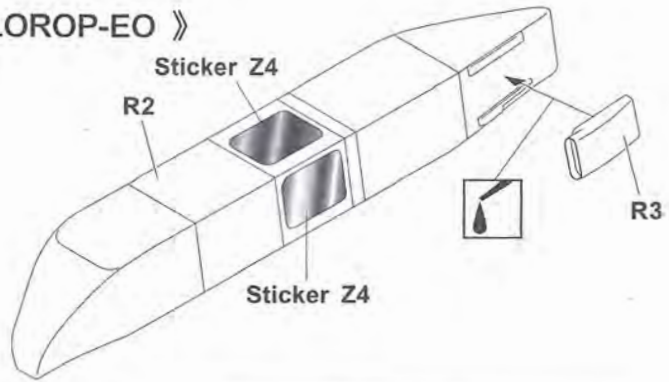
《 GBU-12 Paveway II (500lb) 》

《 TER (Triple Ejector Rack) 》



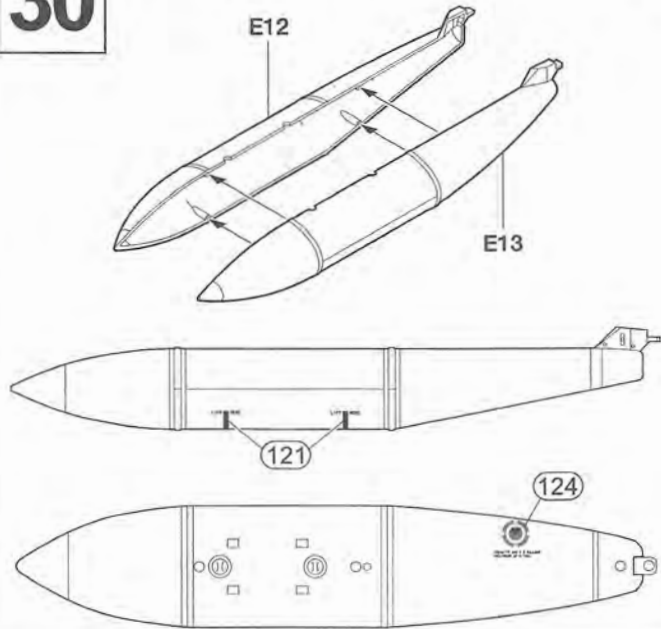
29

《 AN/VDS-5 LOROP-EO 》

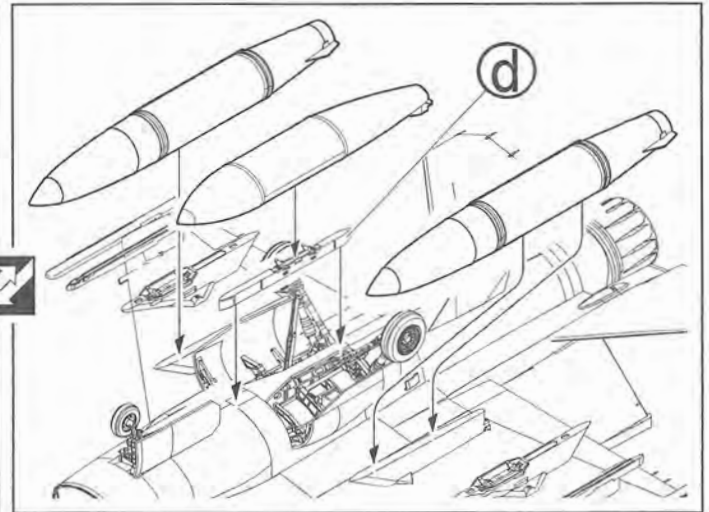
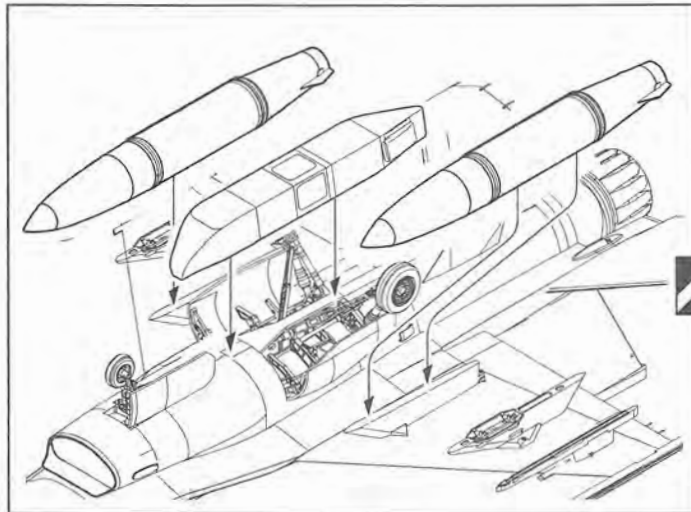
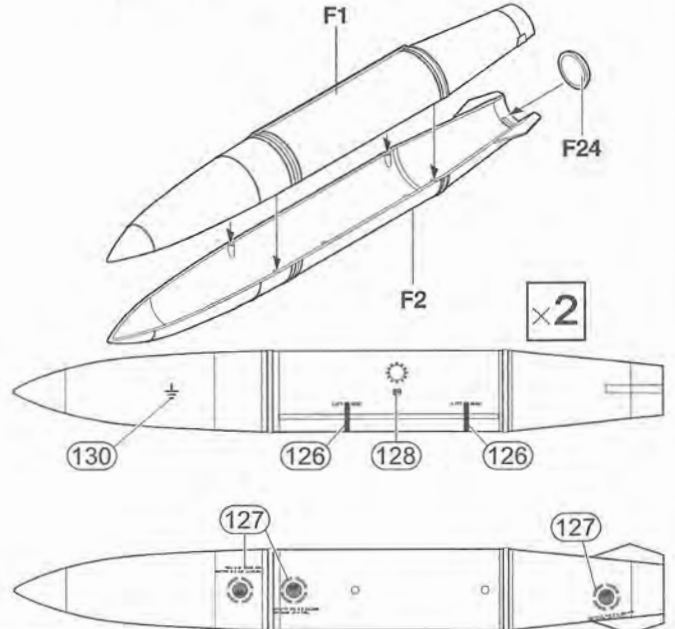


30

《 300Gal. Center Line Fuel Tank 》



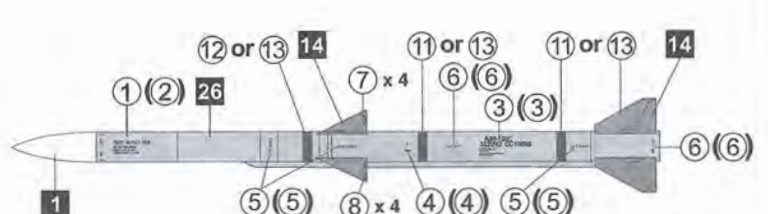
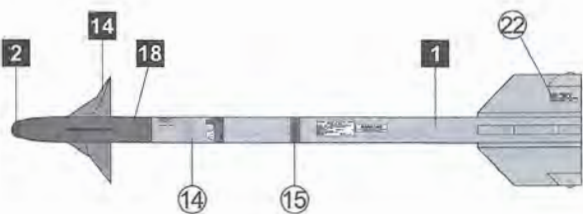
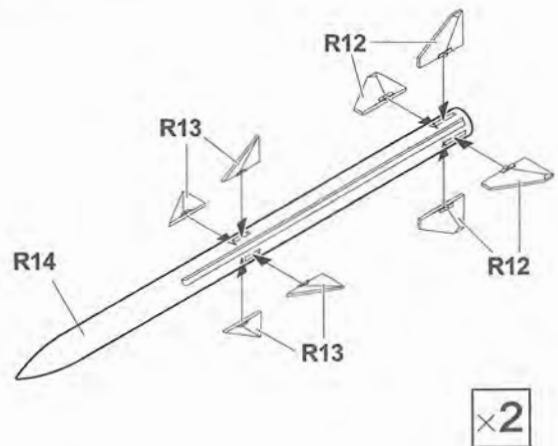
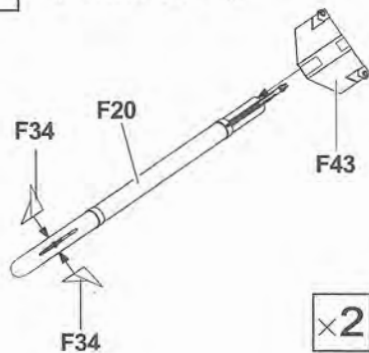
《 370Gal. Wing Fuel Tank 》



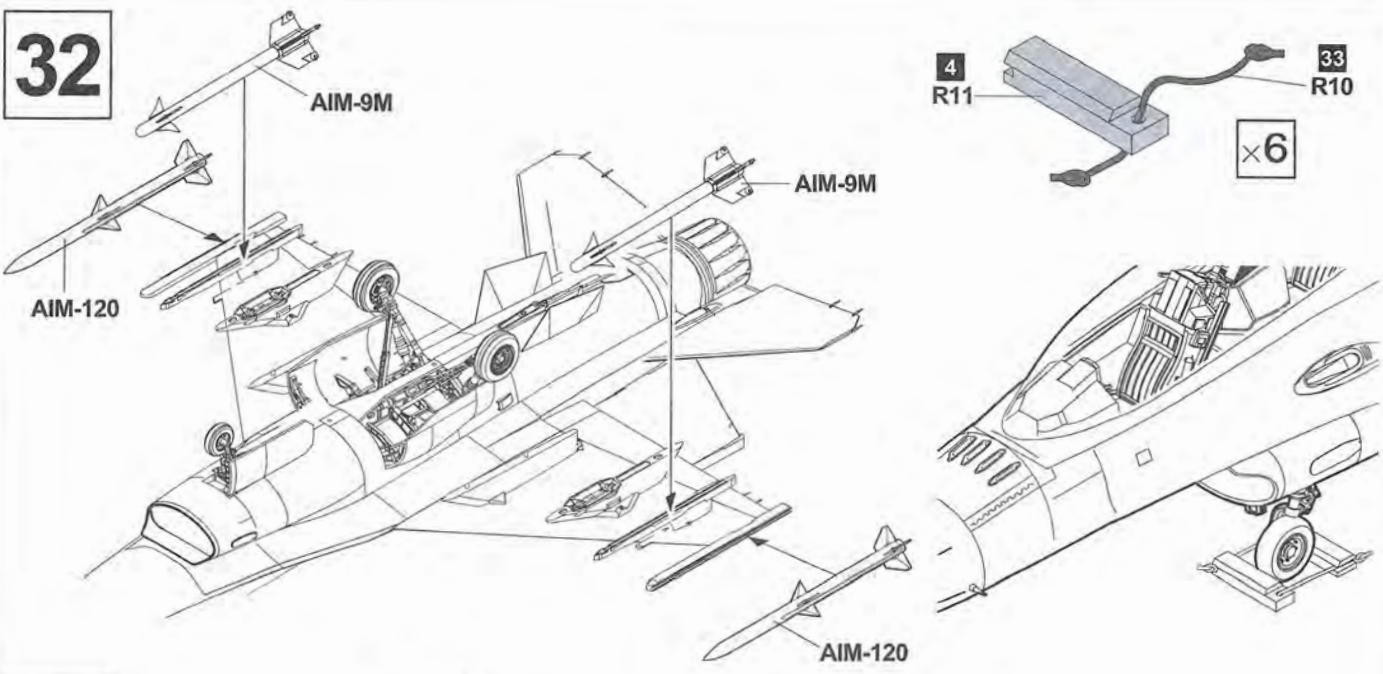
31

* () is opposite number.
 () 括弧內為另一側的號碼
 《 AIM-9M 》

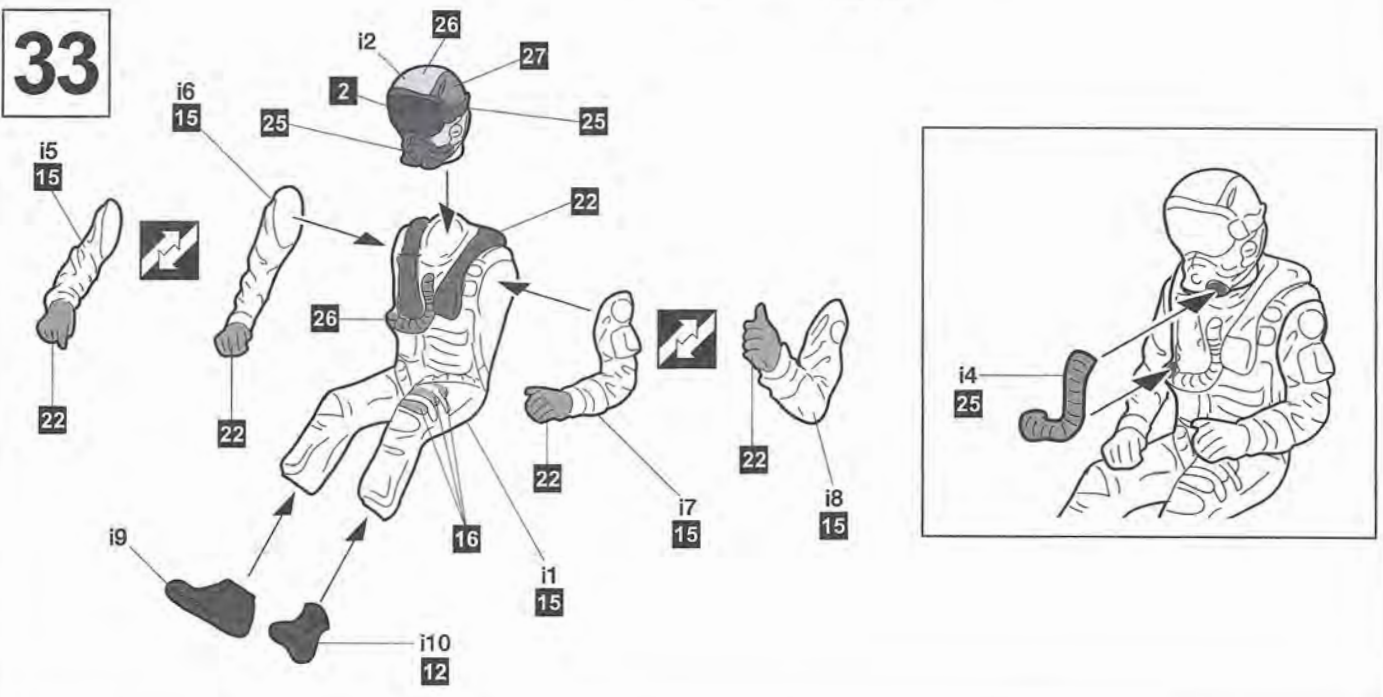
《 AIM-120C 》



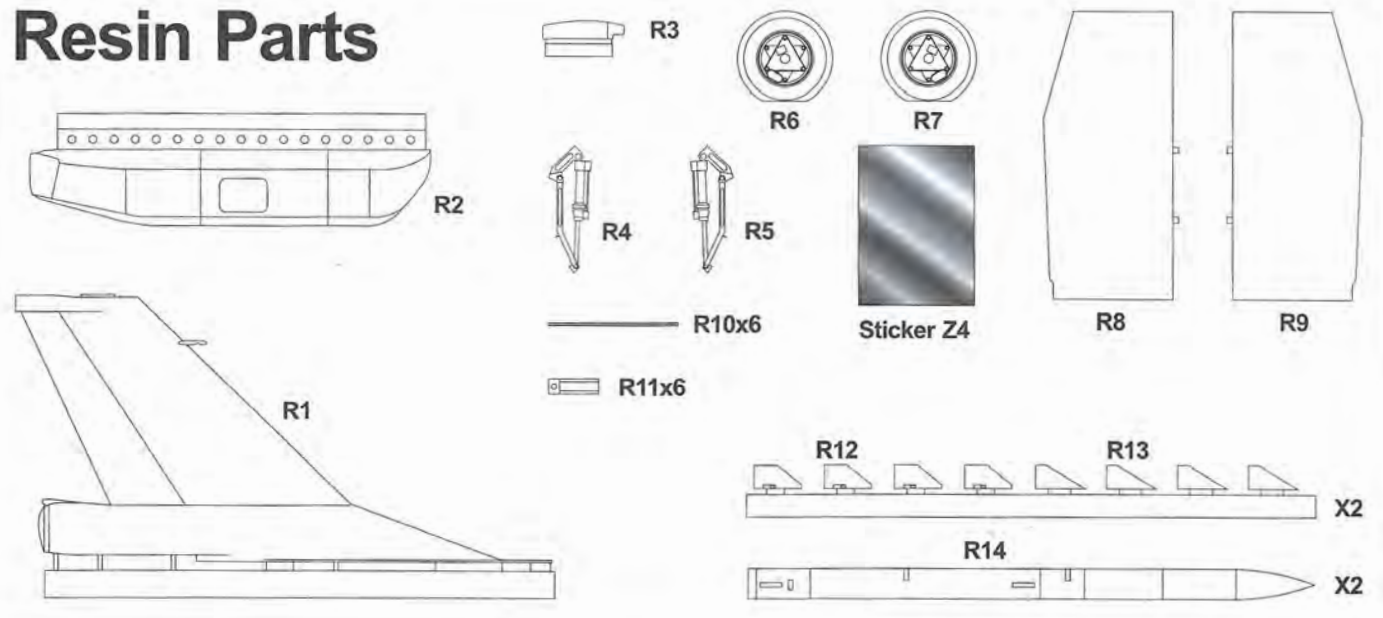
32



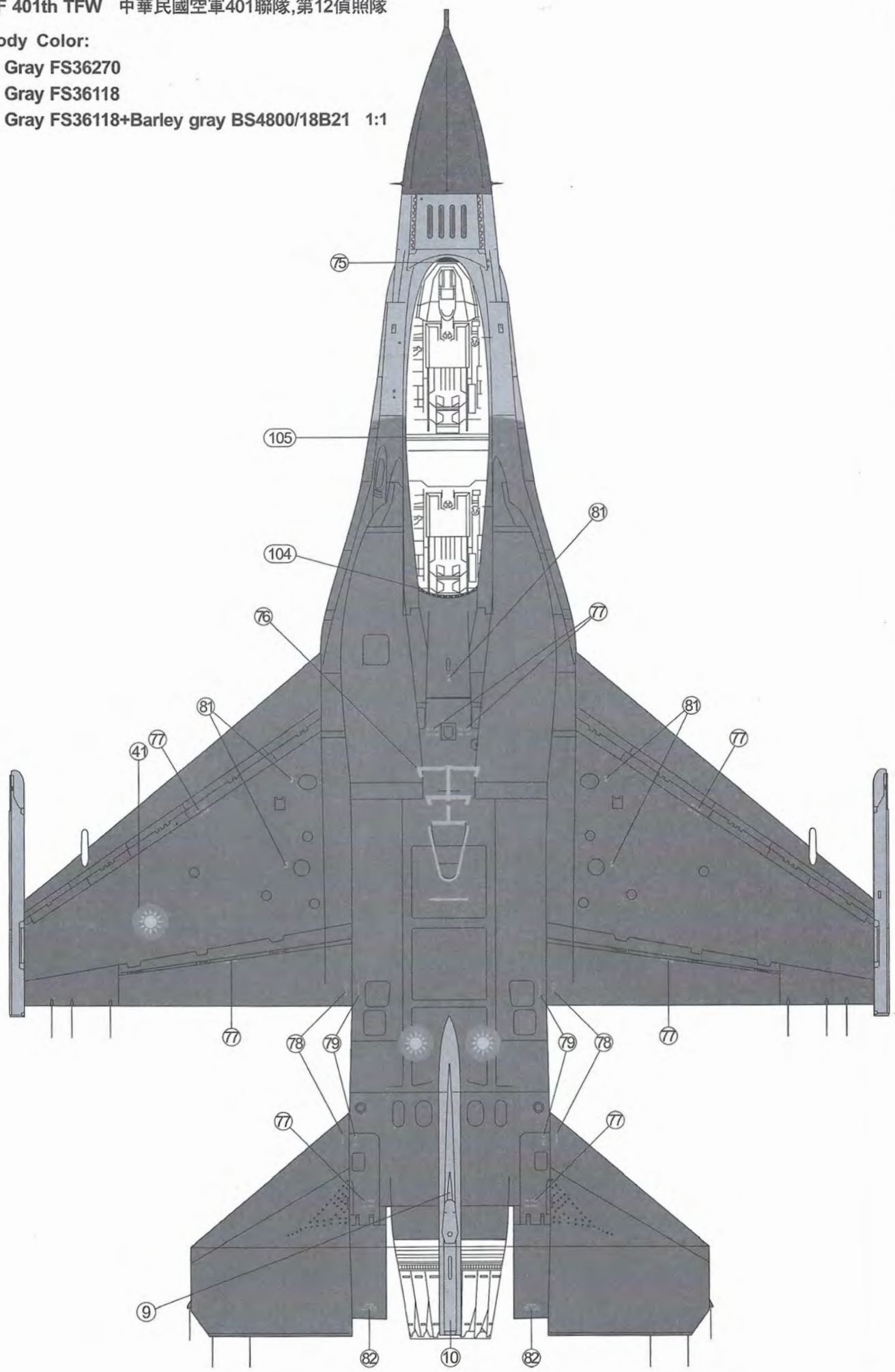
33



Resin Parts



- Body Color:
- Gray FS36270
 - Gray FS36118
 - Gray FS36118+Barley gray BS4800/18B21 1:1



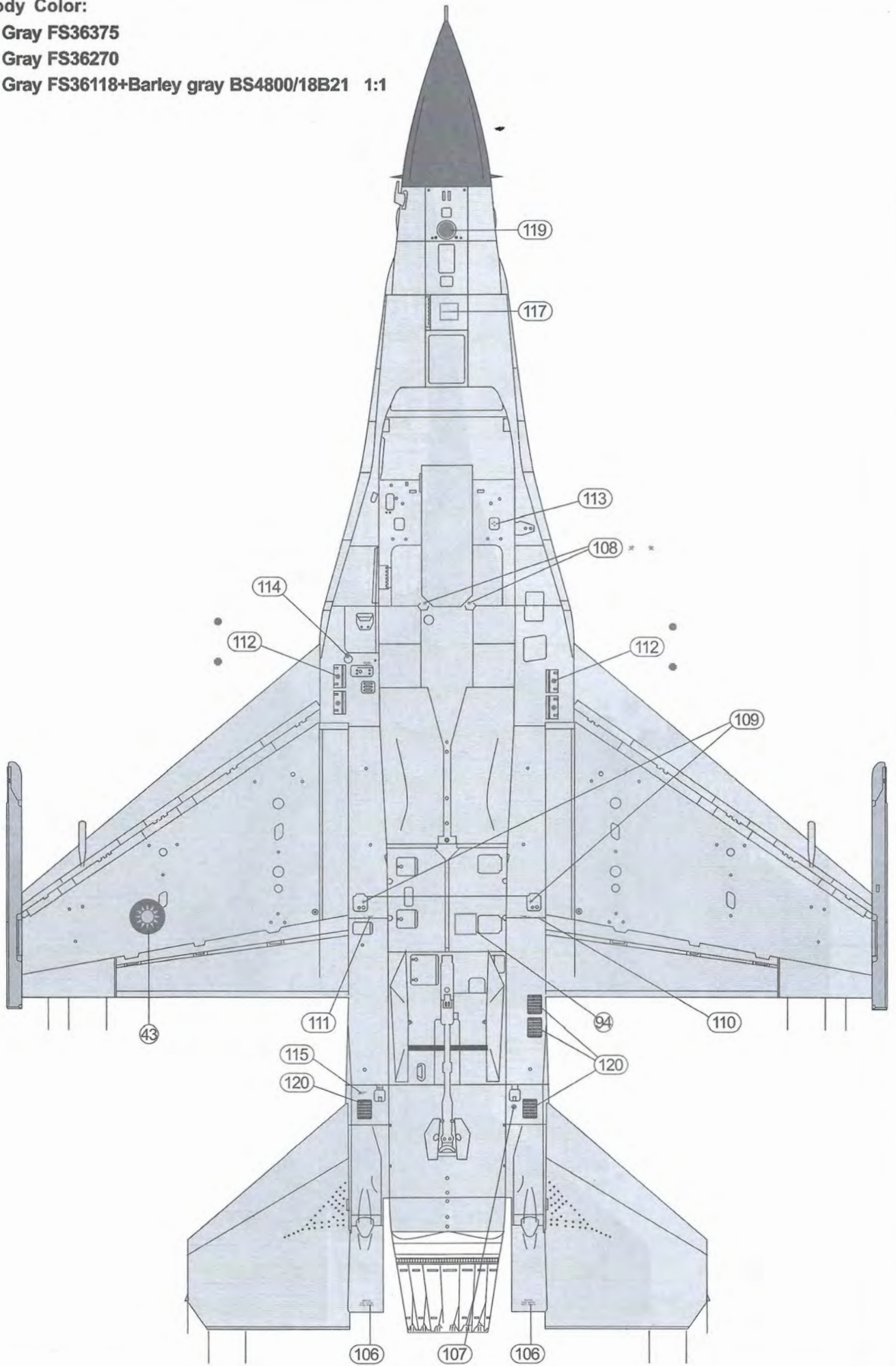


Body Color:

Gray FS36375

Gray FS36270

Gray FS36118+Barley gray BS4800/18B21 1:1





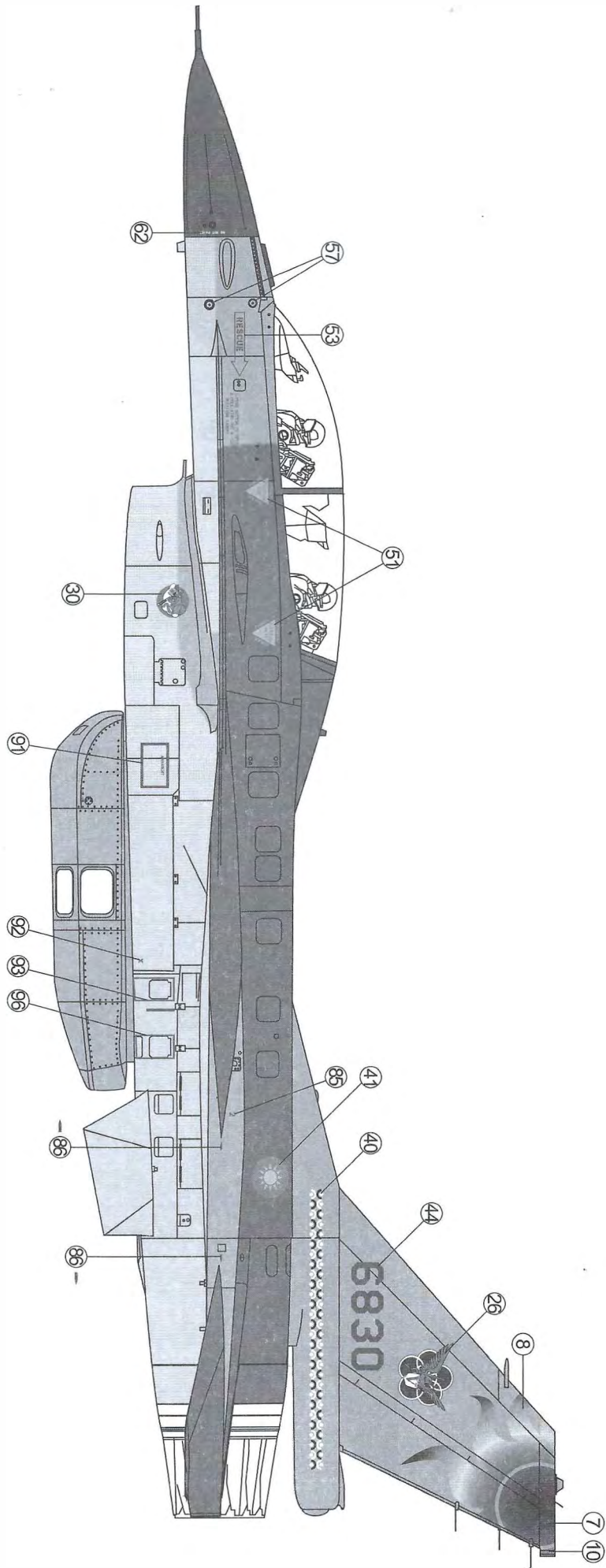
Body Color:





Gray FS36375

Gray FS36270

Gray FS36118

Gray FS36118+Barley gray BS4800/18B21 1:1



- Body Color:
-  Gray FS36375
 -  Gray FS36270
 -  Gray FS36118
 -  Gray FS36118+Barley gray BS4800/18B21 1:1

