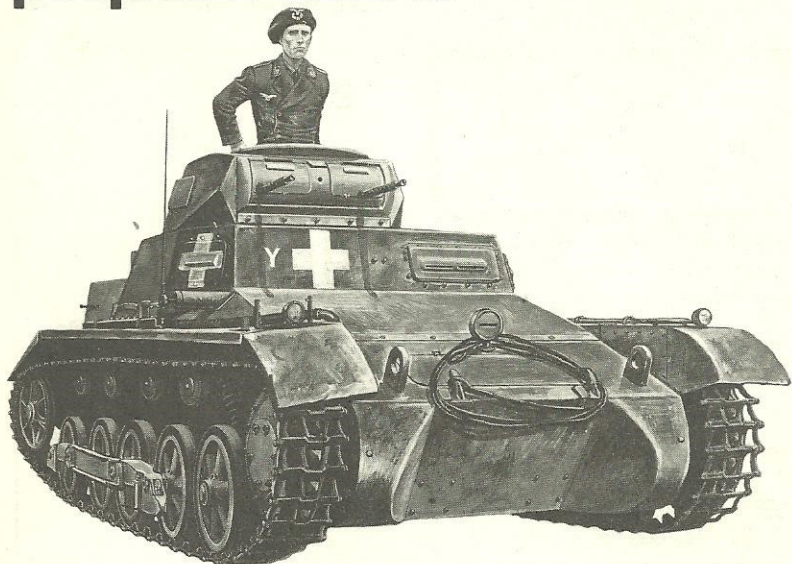


GERMAN TANK

pz.kpfw. I ausf. b.



SPECIFICATION

GENERAL

CREW: 2 MEN
BATTLE WEIGHT: 6.4 TONS
GROUND PRESSURE: 6.2 LBS/SQ.IN.

1/72 SCALE

DIMENSIONS

LENGTH: 14.7 FT.
HEIGHT: 5.8 FT.
WIDTH: 6.10 FT.
WIDTH OF TRACK: 11 IN.
GROUND CLEARANCE: 11.6 IN.

KIT 8024

ARMAMENT

TWO 7.9 MM. MG. 13 (DREYSE LIGHT MACHINE GUNS)

ENGINE

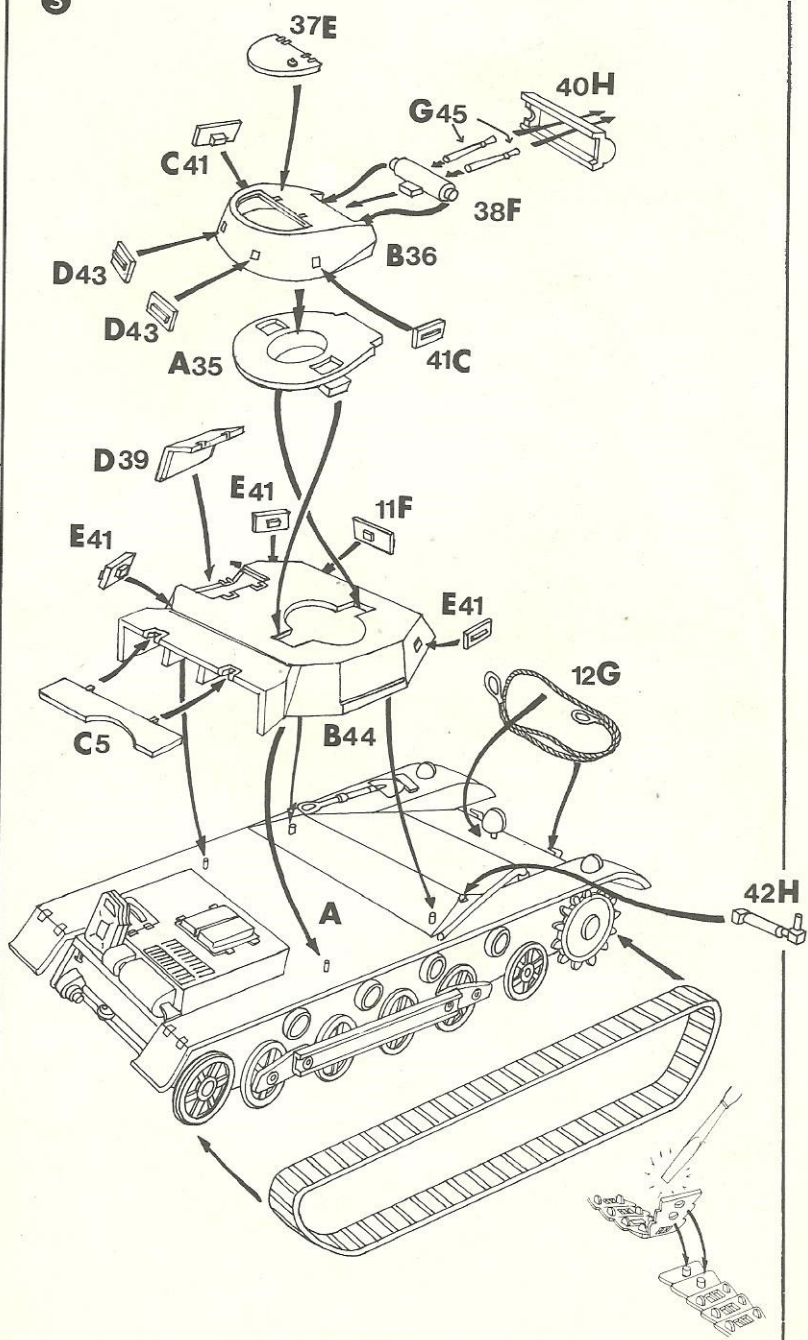
NL 38TR MAYBACH, 100 HP AT 3,000 RPM, 6 CYLINDERS IN-LINE,
LIQUID-COOLED, COMPRESSION RATIO 6.7:1

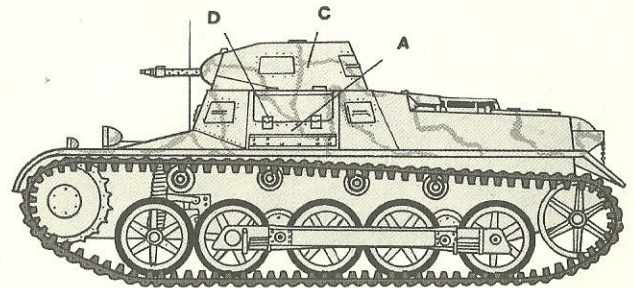
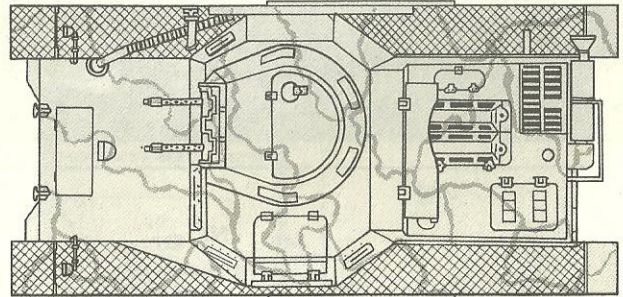
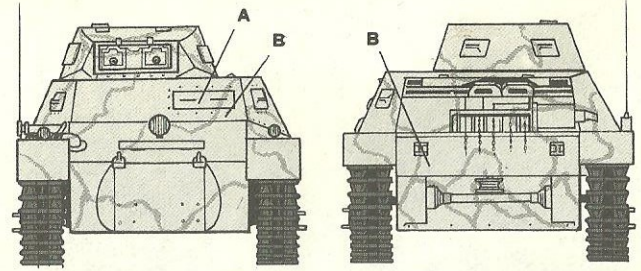
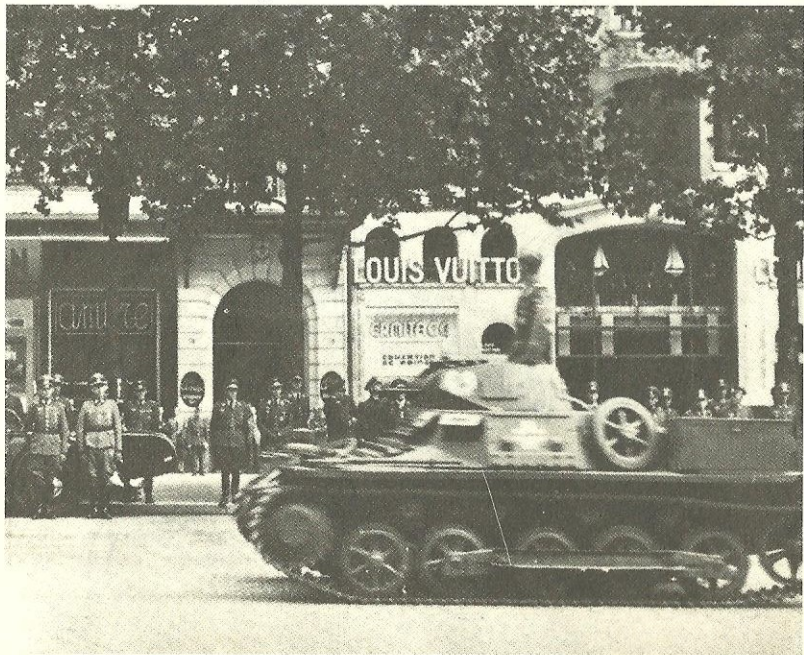
PERFORMANCE

SPEED: 25 MPH ON ROAD
CLIMBING ABILITY: 30° (57%) SLOPE
TRENCH CROSSING ABILITY: 4.6 FT.
FORDING DEPTH: 23.6 IN.
FUEL CAPACITY: 39 GAL. (22 GAL. IN FORWARD
TANK; 17 GAL. REAR TANK)
RADIUS OF ACTION: 105 MILES ON ROAD;
71 MILES CROSS-COUNTRY



3





$\begin{matrix} \text{A} \\ \text{B} \end{matrix} \begin{matrix} \# \\ \# \\ \# \\ \# \end{matrix} \begin{matrix} \text{A} \\ \text{B} \end{matrix} \begin{matrix} 321 \\ \text{c} \\ 321 \end{matrix}$

$\begin{matrix} \text{B} \\ \text{Y} \\ \text{Y} \end{matrix} \begin{matrix} \# \\ \# \end{matrix} \begin{matrix} 133 \\ \text{c} \\ 133 \end{matrix}$

$\text{A} \begin{matrix} \# \\ \# \\ \# \\ \# \end{matrix} \begin{matrix} 133 \\ \text{d} \\ 133 \end{matrix} \begin{matrix} \# \\ \# \end{matrix}$

$\begin{matrix} \text{c} \\ 1 \\ 1 \end{matrix} \begin{matrix} \# \\ \# \\ \# \\ \# \end{matrix} \begin{matrix} 110 \\ \text{c} \\ 110 \end{matrix}$



MADE IN ITALY.

KIT. 8024 PZ. Kpfw IB



MADE IN ITALY