

MiG-17PF/PFU

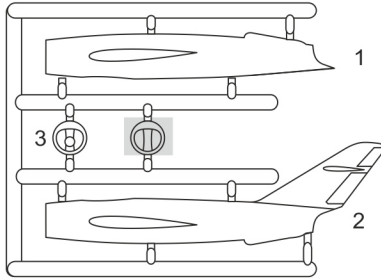
SOVIET ALL-WEATHER FIGHTER



MKM14410
1/144 scale

MARK I Ltd.
PO Box 10
CZ-100 31 Prague 10 - Strašnice
Czech Republic
mark1@cmail.cz
www.4pluspublications.com

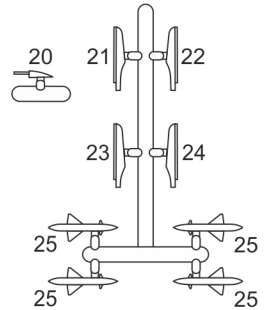
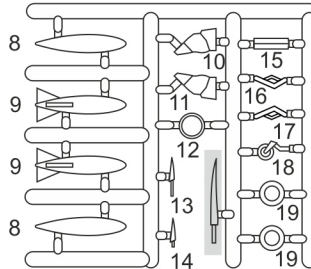
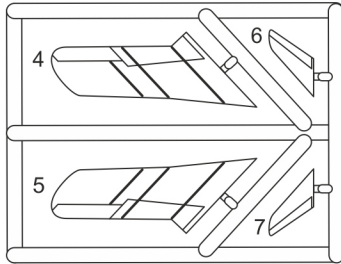
parts not
to be used



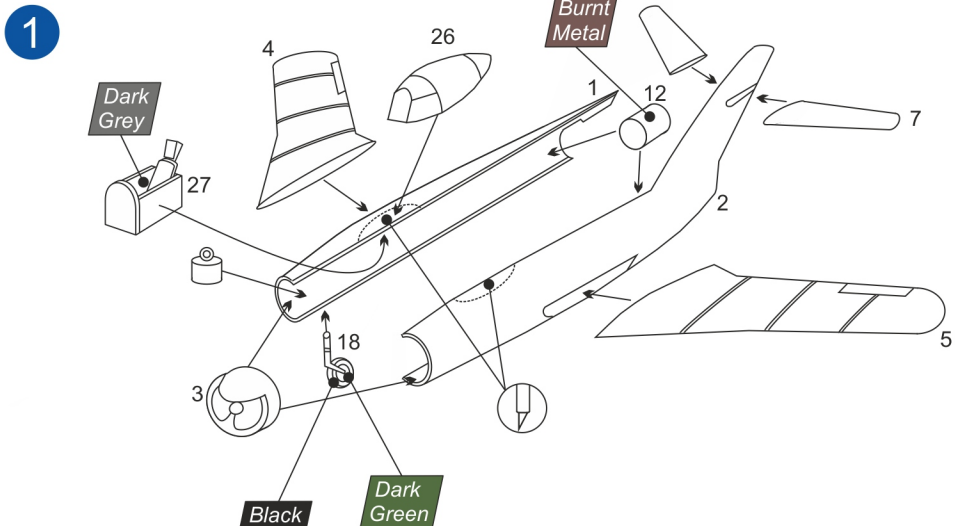
clear part



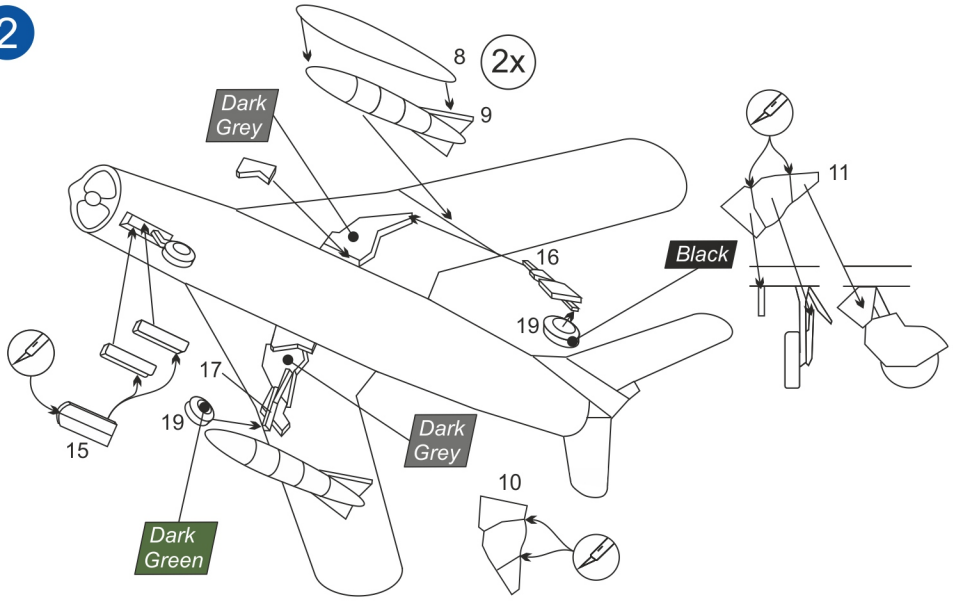
resin part



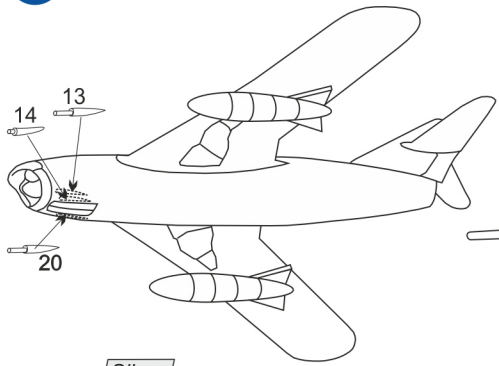
- Repeat this operation
- Glue
- Don't glue
- Drill
- Detach/cut
- Optional



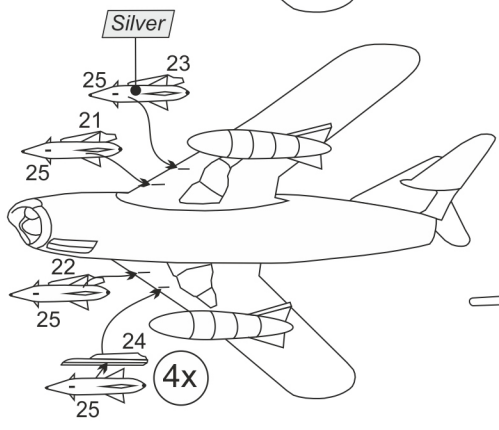
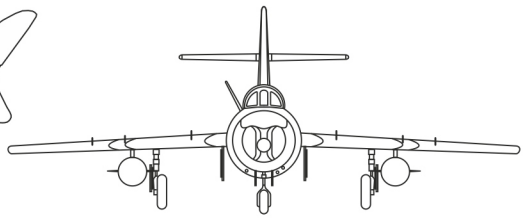
2



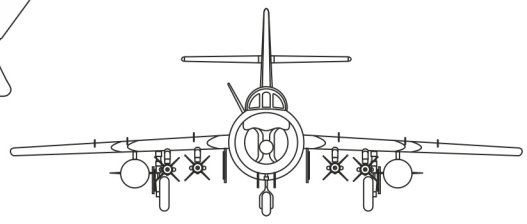
3



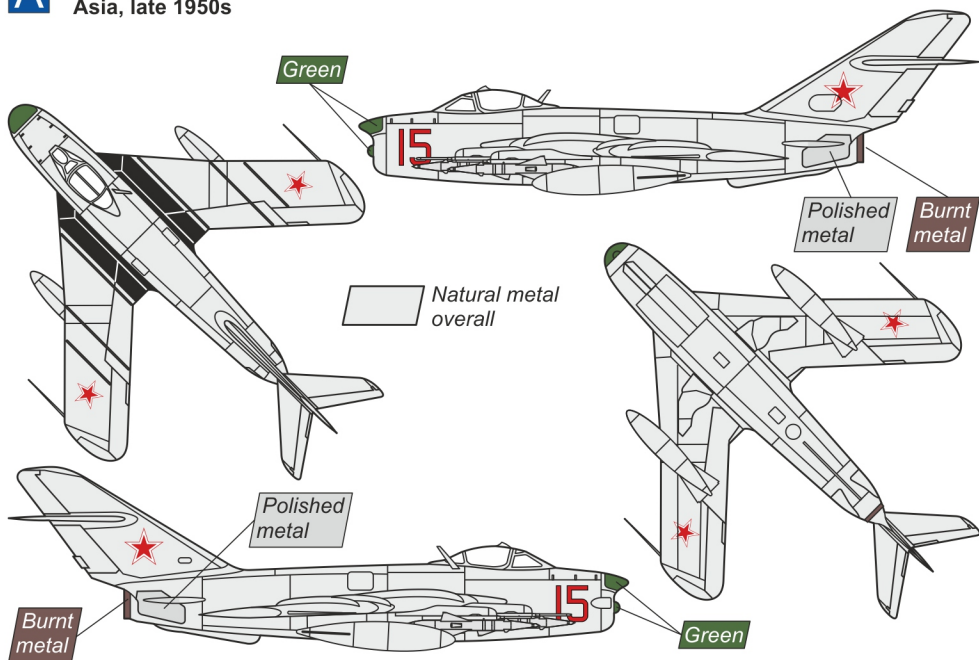
MiG-17PF armament and external stores



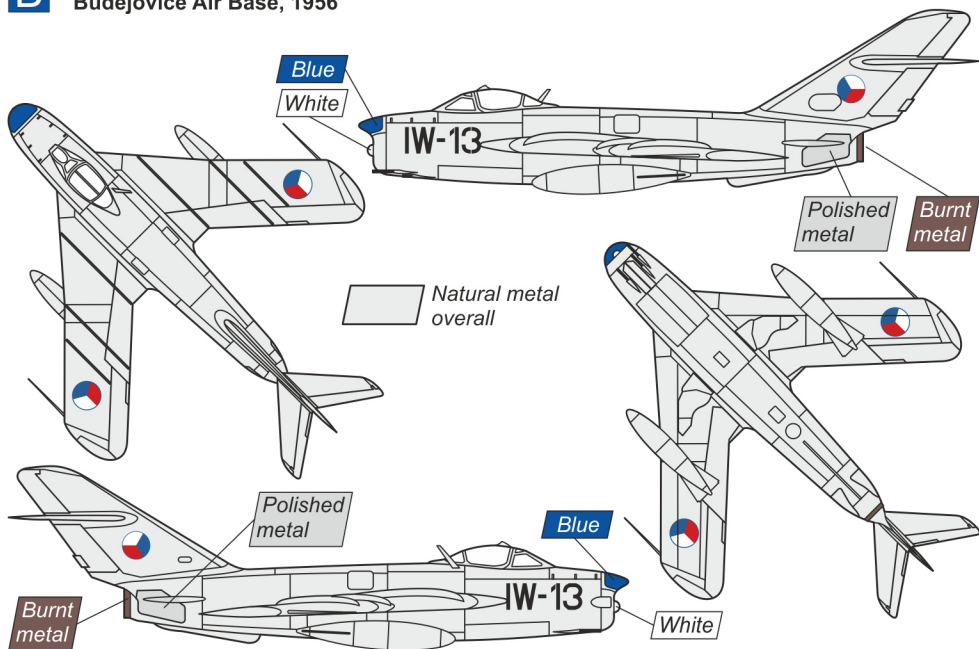
MiG-17PFU armament and external stores



A MiG-17PFU Fresco E, Army Air Forces of the USSR, unknown air base, Soviet Central Asia, late 1950s

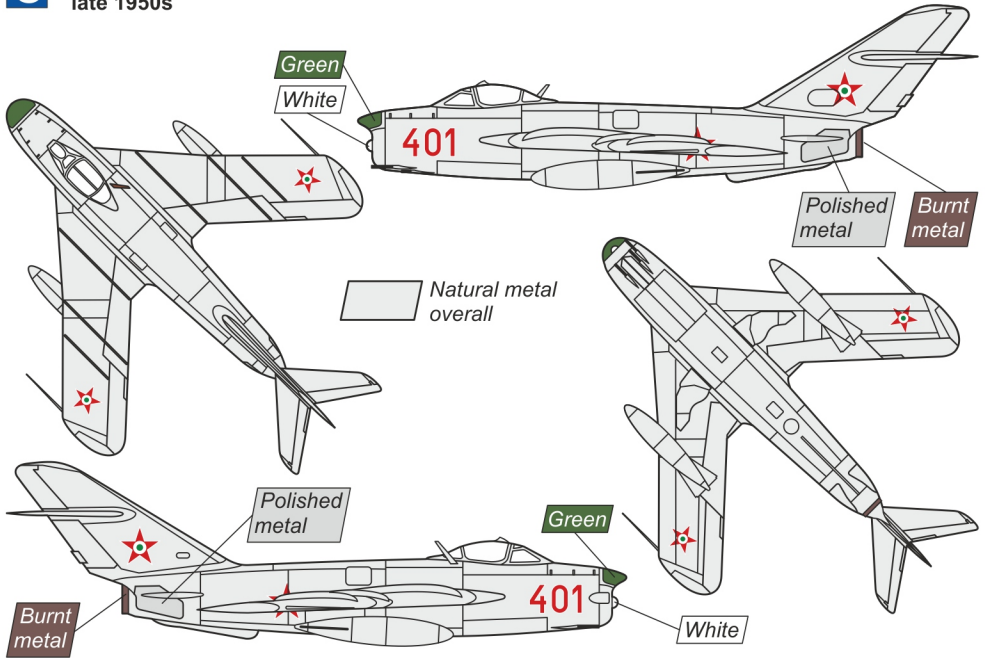


B S-104 (MiG-17PF) Fresco D, 1st Sq., 1st Fighter Regiment, Czechoslovak Air Force, České Budějovice Air Base, 1956





MiG-17PF Fresco D, 50th Fighter Regiment, Hungarian Air Force, Taszár Air Base, late 1950s



MiG-17PF Fresco D, Air Defence Air Regiment, United Arab Republic (Egypt) Air Force, unknown air base, the Six Day War, June 1967

