

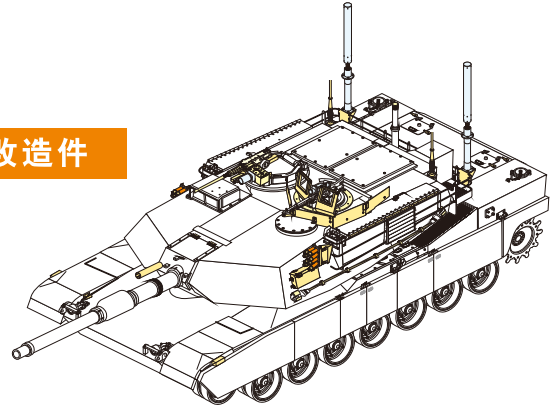
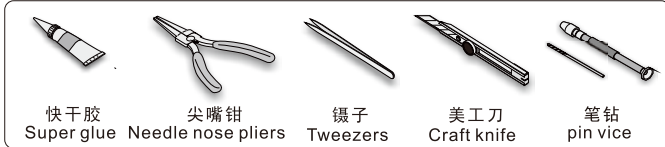
1/35 MILITARY MINIATURE VEHICLE UPGRADE SERIES PE35417

Modern USMC M1A1 TUSK1 Abrams Basic

现代美军海军陆战队 M1A1 TUSK1早期 基本改造件

[For DRAGON 3535]

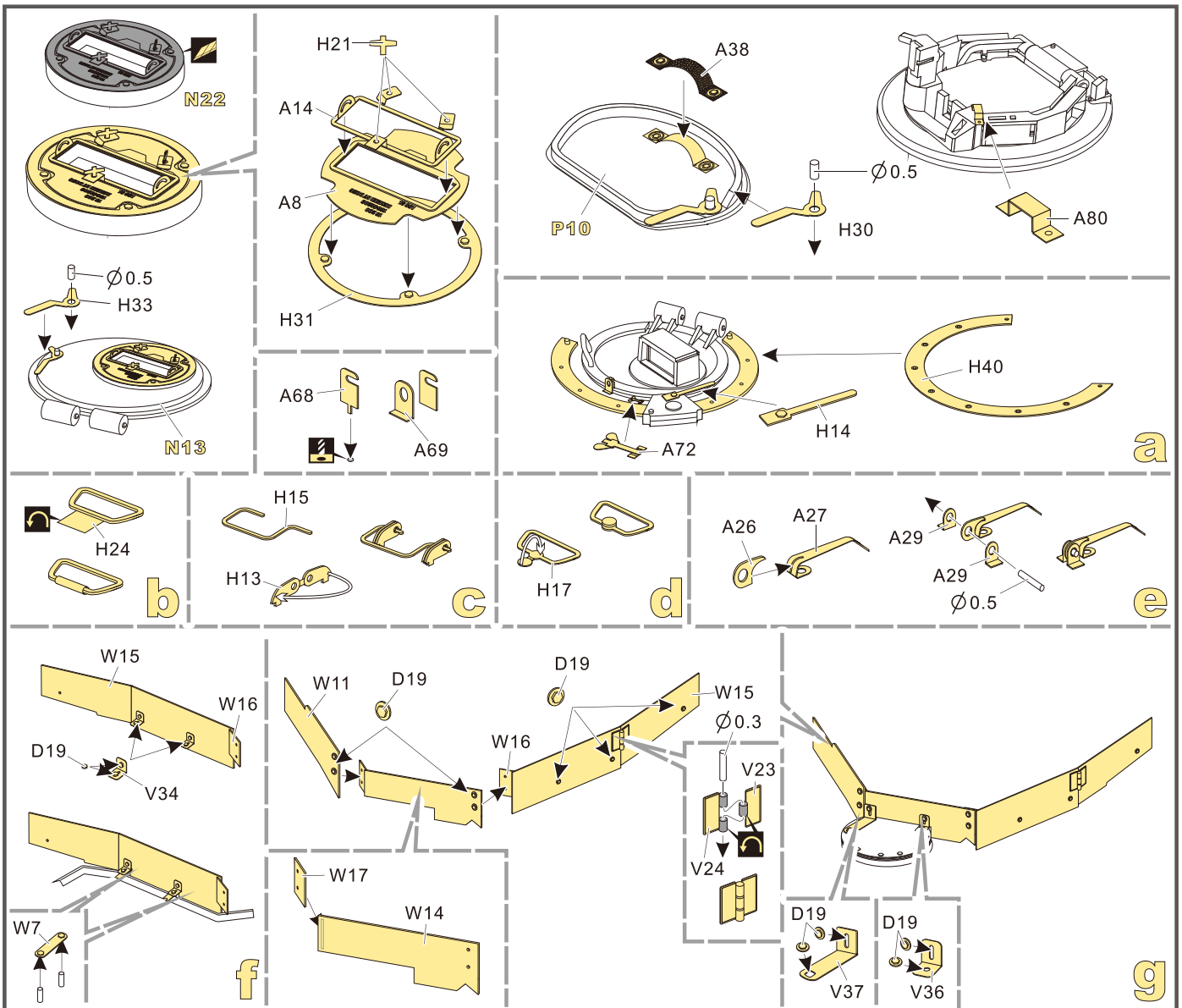
■ 推荐使用工具 RECOMMENDED TOOLS



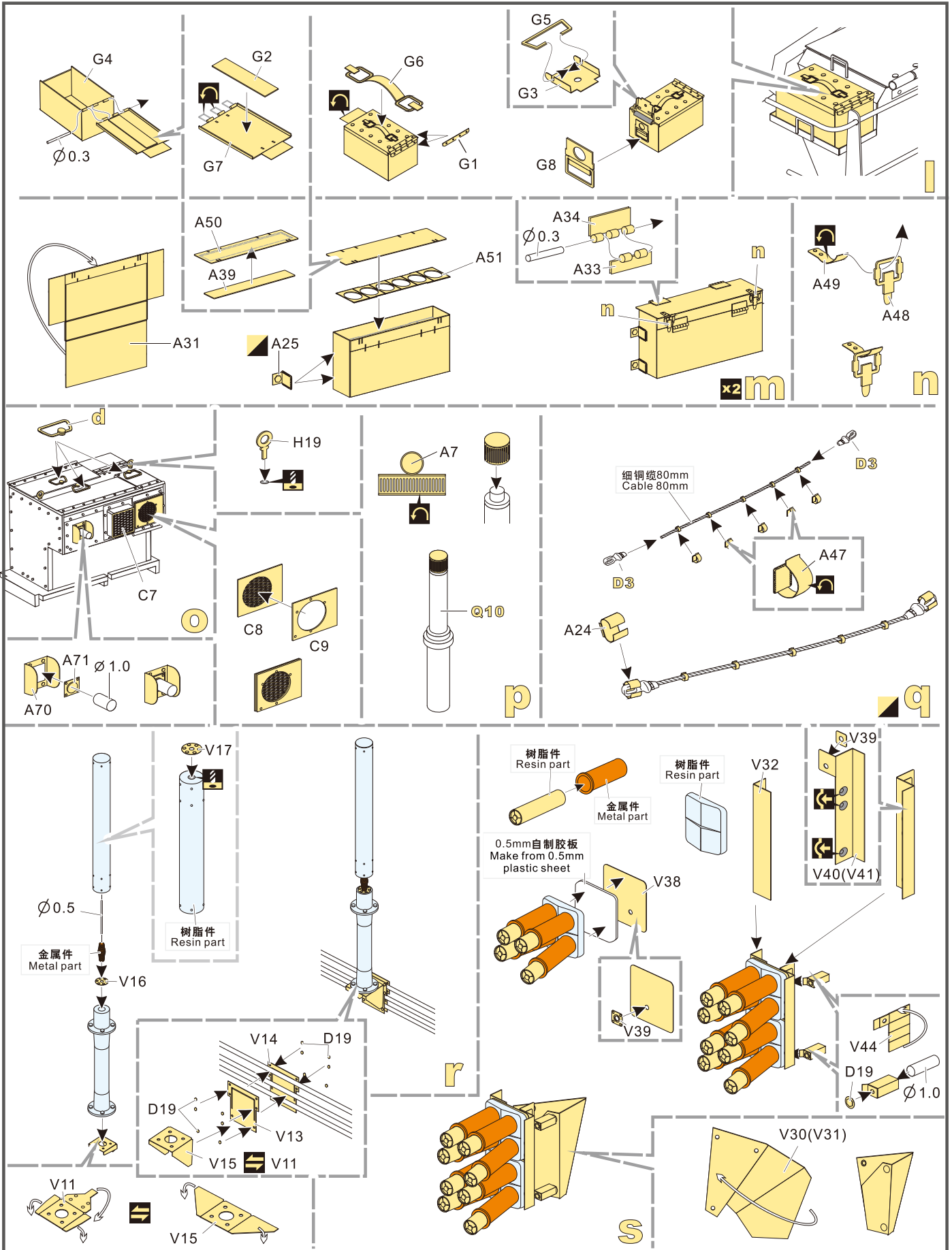
- ↑
安装
install
- ↩
折叠
bend
- A1
改造件零件编号
PE/resin part number
- B12
原零件编号
kit part number
- C22
被替换的原零件编号
replaced kit part number
- ↔
另一侧相同制作
repeat on opposite side
- ✂
切除
remove
- 🔪
打磨
grind off
- 📐
弧度卷曲
radial bending
- x2
制作若干组
multiple assembly
- ⇄
选择安装
alternative
- 🔧
钻孔
drill
- 用胶棒制作
make from plastic rod

↓
用尖端在凹槽处冲压
use penpoint to press on the dent

蚀刻片零件内侧面向上
Put the part upside down
用笔尖在凹槽处
Use penpoint to press on the dent



1/35 MILITARY MINIATURE VEHICLE UPGRADE SERIES PE35417

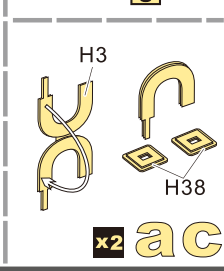
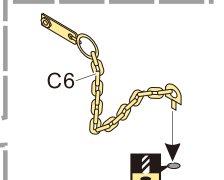
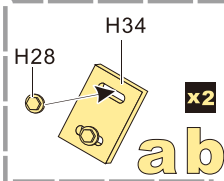
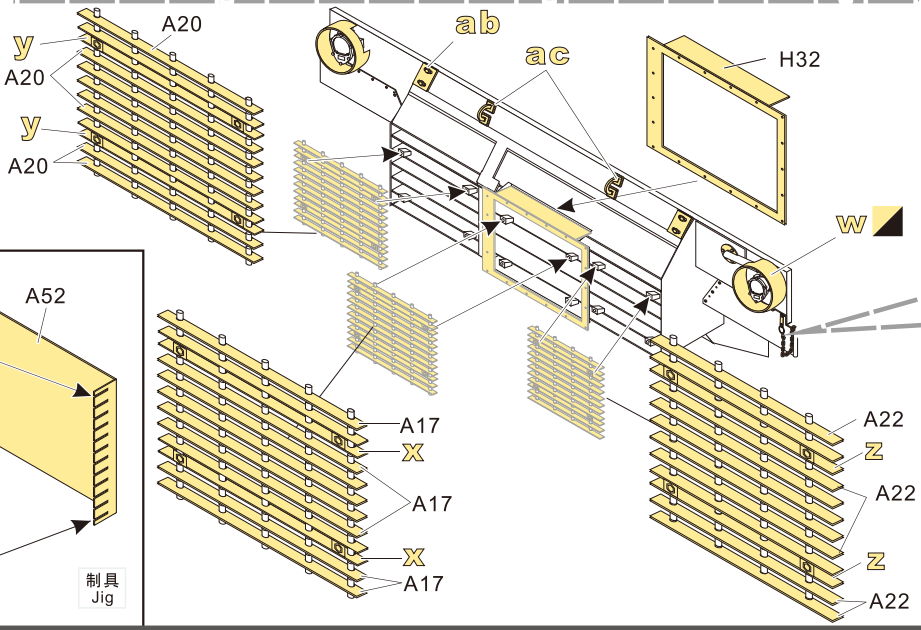
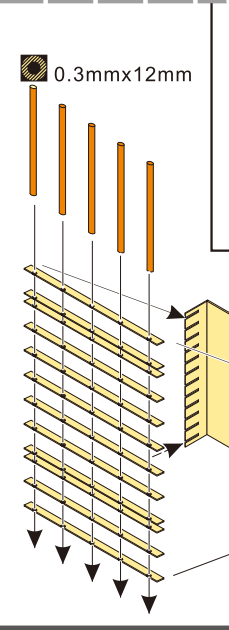
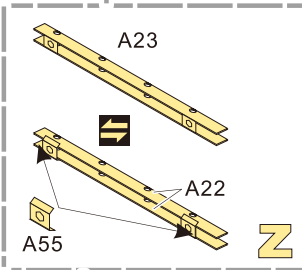
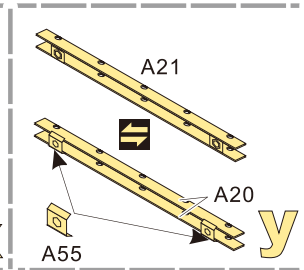
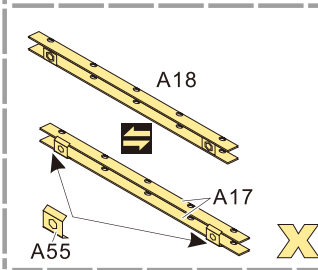
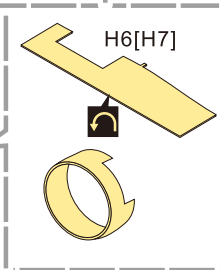
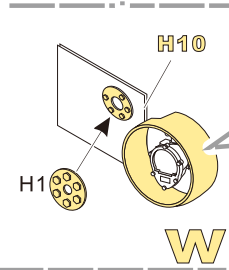
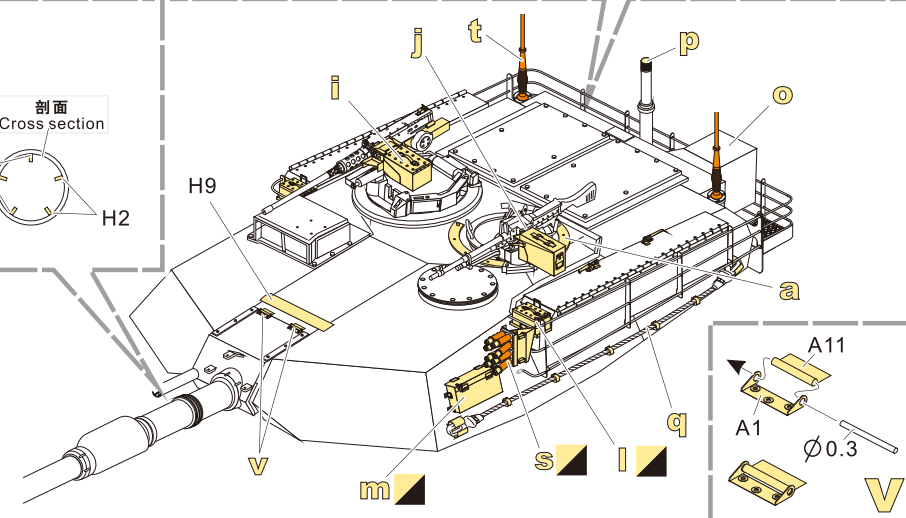
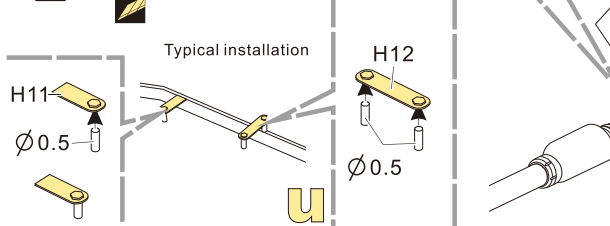
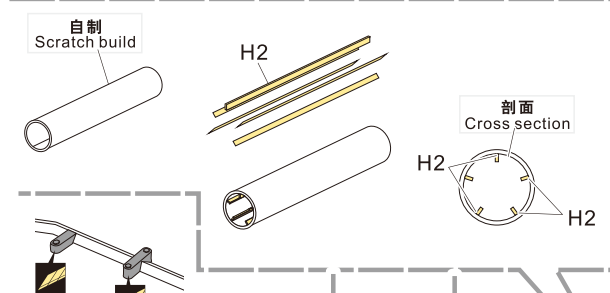
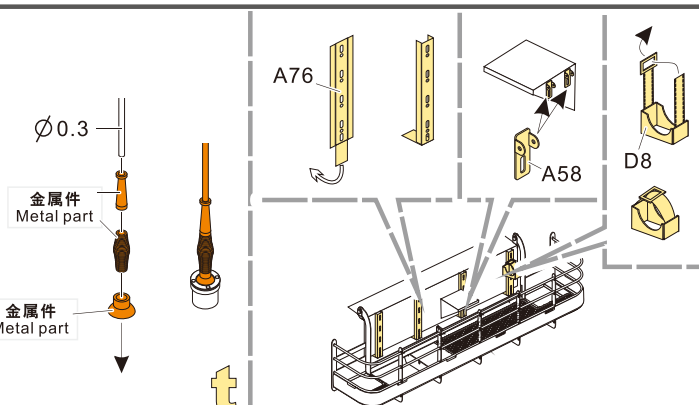


1/35 MILITARY MINIATURE VEHICLE UPGRADE SERIES PE35417

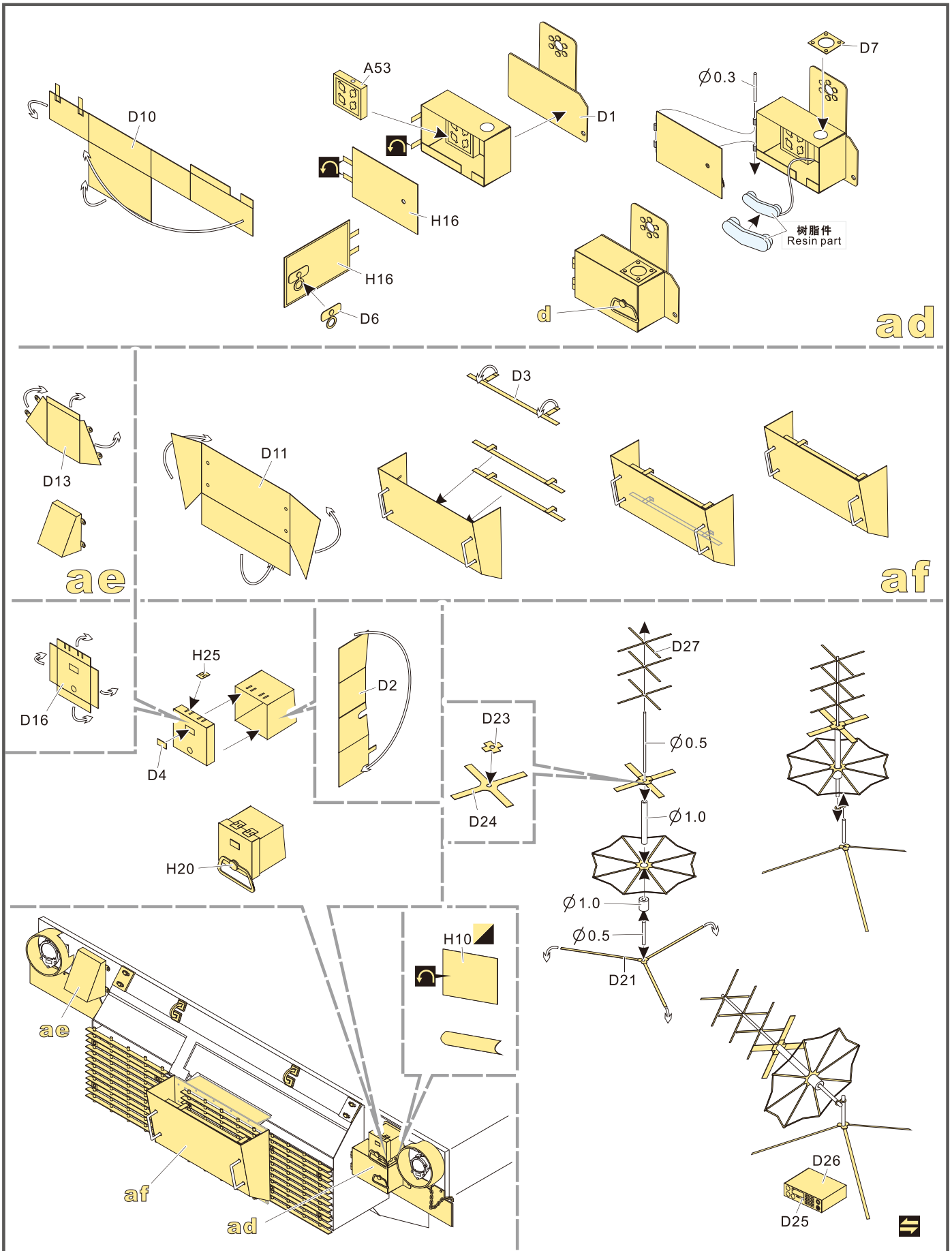
VOYAGERMODEL® 无微不至 极尽享受
The Best Upgrade Solution

Recommended item

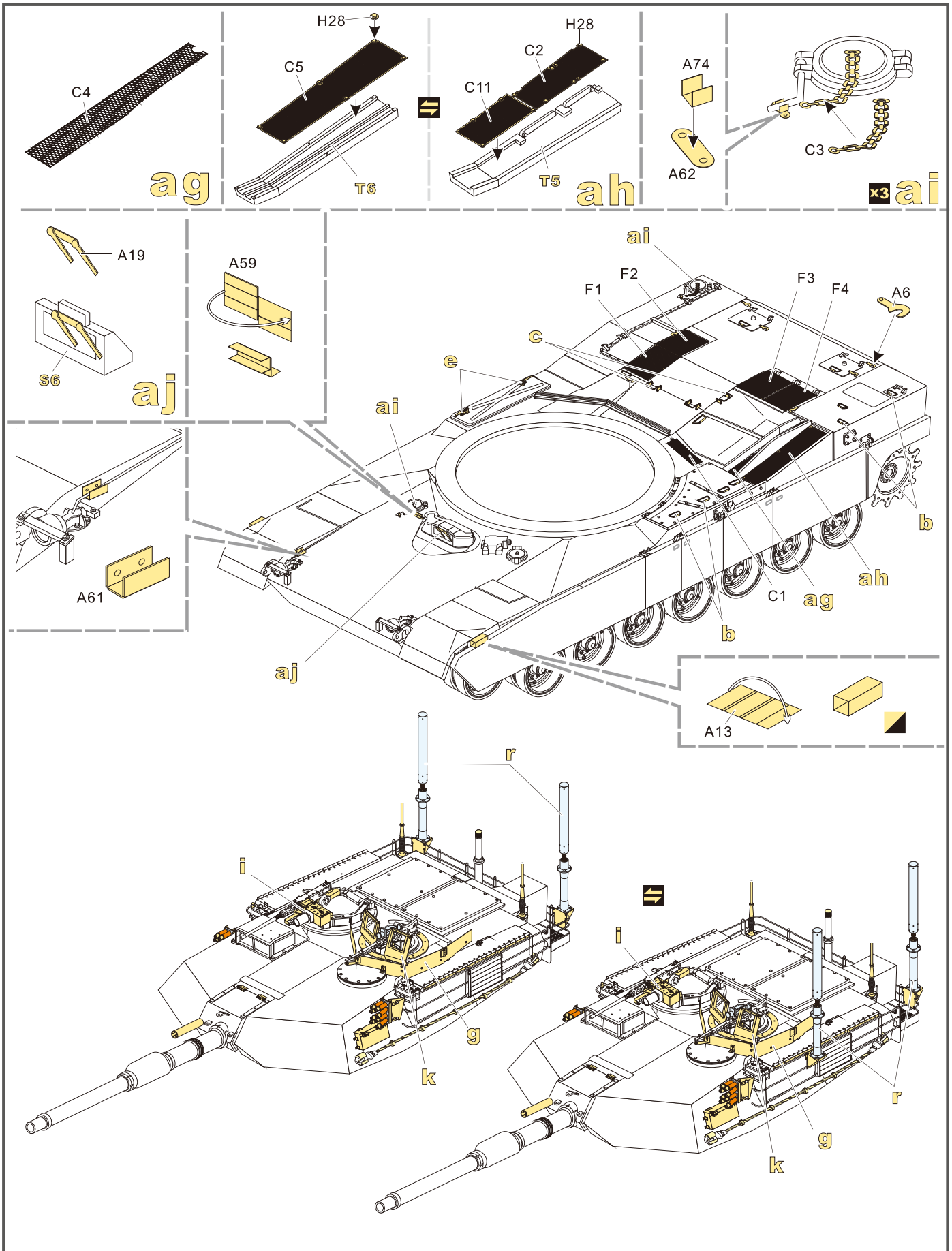
VBS0163	US M256 120mm M1 Abrams Gun Barrel w/smoke discharger
VBS0164	US M256 120mm M1 Abrams Gun Barrel w/M2 Browning Machine Gun
PE 35415	Modern US Army M1A1 AIM Abrams Basic
PE 35416	Modern US Army M1A2 SEP Abrams Basic
PE 35418	Modern US M1A1 TUSK1 Abrams Basic
PE 35419	Modern US M1A2 TUSK2 Abrams Basic
PEA 148	Modern US Army M1A1&M1A2 side skirts
PEA 258	Modern US Army M1A1/ M1A2 stowage bin/baskets/CIP



1/35 MILITARY MINIATURE VEHICLE UPGRADE SERIES PE35417



1/35 MILITARY MINIATURE VEHICLE UPGRADE SERIES PE35417



1/35 MILITARY MINIATURE VEHICLE UPGRADE SERIES PE35417

车底改造
suspension detailing

