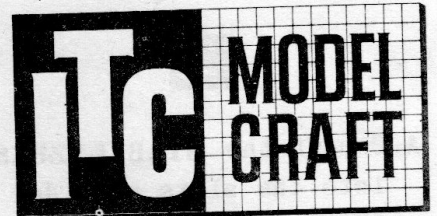


Assembly Instructions For **CURTISS CONDOR**

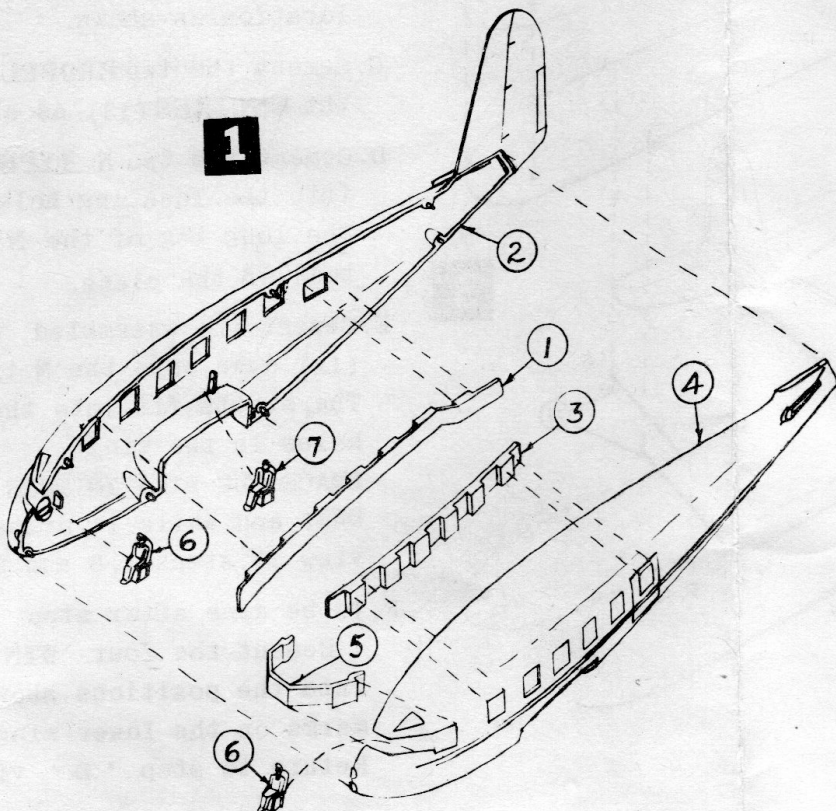
3724



HOBBY DIVISION OF IDEAL TOY CORPORATION

GENERAL INSTRUCTIONS

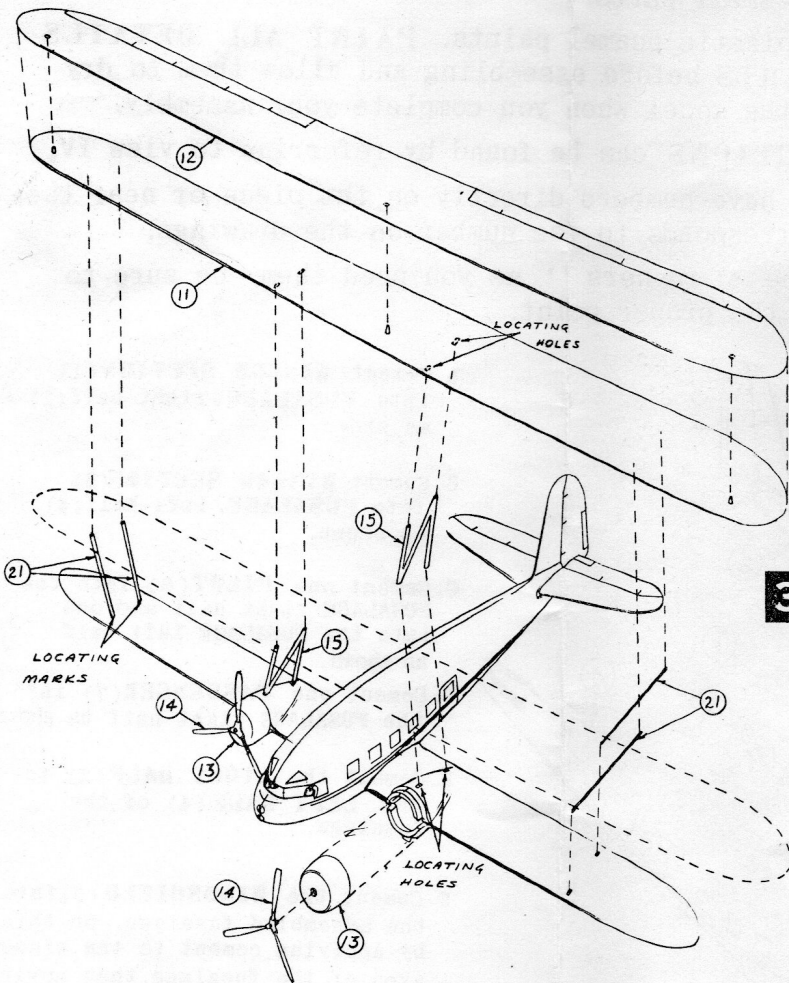
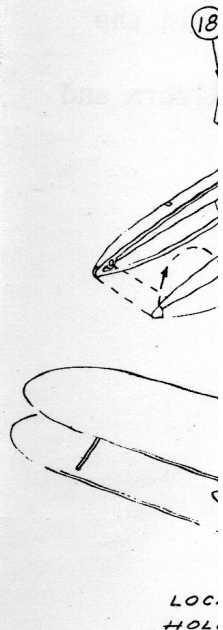
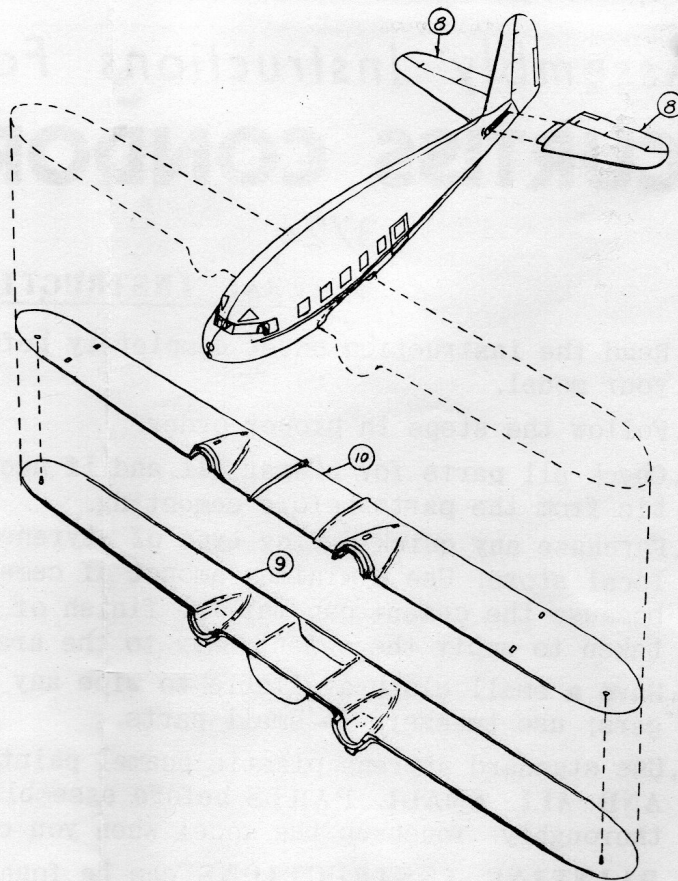
1. Read the instruction sheet completely before you start to assemble your model.
2. Follow the steps in proper order.
3. Check all parts for proper fit, and if necessary, trim any excess plastic from the parts before cementing.
4. Purchase any quick drying type of styrene plastic cement at your local store. Use a minimum amount of cement for the best results, and because the cement can mar the finish of your model, care must be taken to apply the cement only to the area where it is required.
5. Have a small cloth available to wipe any excess cement from your fingers; use tweezers on small parts.
6. Use standard styrene plastic enamel paints. **PAINT ALL DETAILS AND ALL SMALL PARTS** before assembling and allow them to dry thoroughly. Touch up the model when you complete your assembly.
7. **PAINTING INSTRUCTIONS** can be found by referring to view IV.
8. All the plastic parts have numbers directly on the piece or near the piece. This number corresponds to the number on the drawings.
9. Cut the parts from the "runners" as you need them; be sure to cut carefully and at the proper point.



- A. Cement **WINDOW SECTION (1)** into **FUSALAGE**, right half (2) as shown.
- B. Cement **WINDOW SECTION (3)** into **FUSALAGE**, left half (4) as shown.
- C. Cement one **PILOT (6)** into the **FUSALAGE** right half and one into the **FUSALAGE** left half as shown.
- D. Cement one **PASSENGER (7)** into the **FUSALAGE** right half as shown.
- E. Cement the **RIGHT HALF (2)** to the **LEFT HALF (4)** of the fuselage.
- F. Cement the **WINDSHIELD (5)** into the assembled fuselage. Do this by applying cement to the window area of the fuselage, then moving the windshield into position.

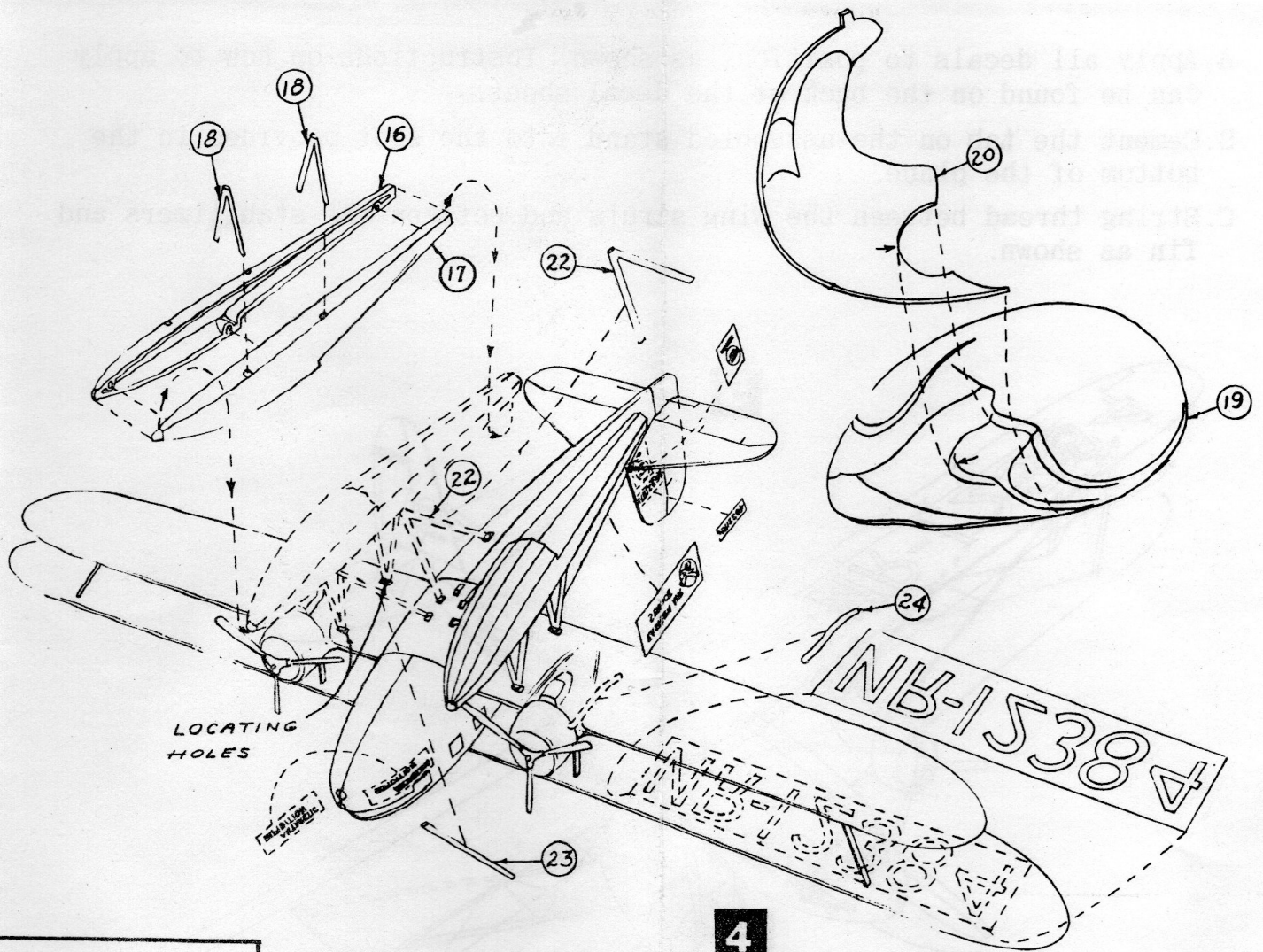
2

- A. Cement the **STABILIZERS**(8) into the slots provided in the fuselage as shown.
- B. Cement the **LOWER WING HALVES**(9)(10) together as shown.
- C. Cement the **LOWER WING UNIT** to the fuselage as shown.



3

- A. Cement **UPPER WING HALVES**(11)(12) together as shown.
- B. Cement the two **ENGINES**(13) into location as shown.
- C. Cement the two **PROPELLERS**(14) into the **ENGINES**(13) as shown.
- D. Cement the two **N TYPE STRUTS**(15) into the locating holes in the motor. The long leg of the N is towards the back of the plane.
- E. Cement the assembled **TOP WING**(11)(12) down onto the N type struts. The struts fit into the locating holes in the wing. **BRACE THE WING IN THIS POSITION UNTIL DRY;** and while it dries proceed to view **IV**, steps A, B and C.
- F. To be done after step 'C' view **IV**. Cement the four **WING STRUTS**(21) into the positions shown. Use the locating marks on the lower wing as your guide. Return to step 'D' view **IV**.



4

WINGS (11) (12)

(13) into

WINGS (14) into
position.

STRUTS (15)
in the motor.
towards the

UPPER WING (11)
struts.
locating

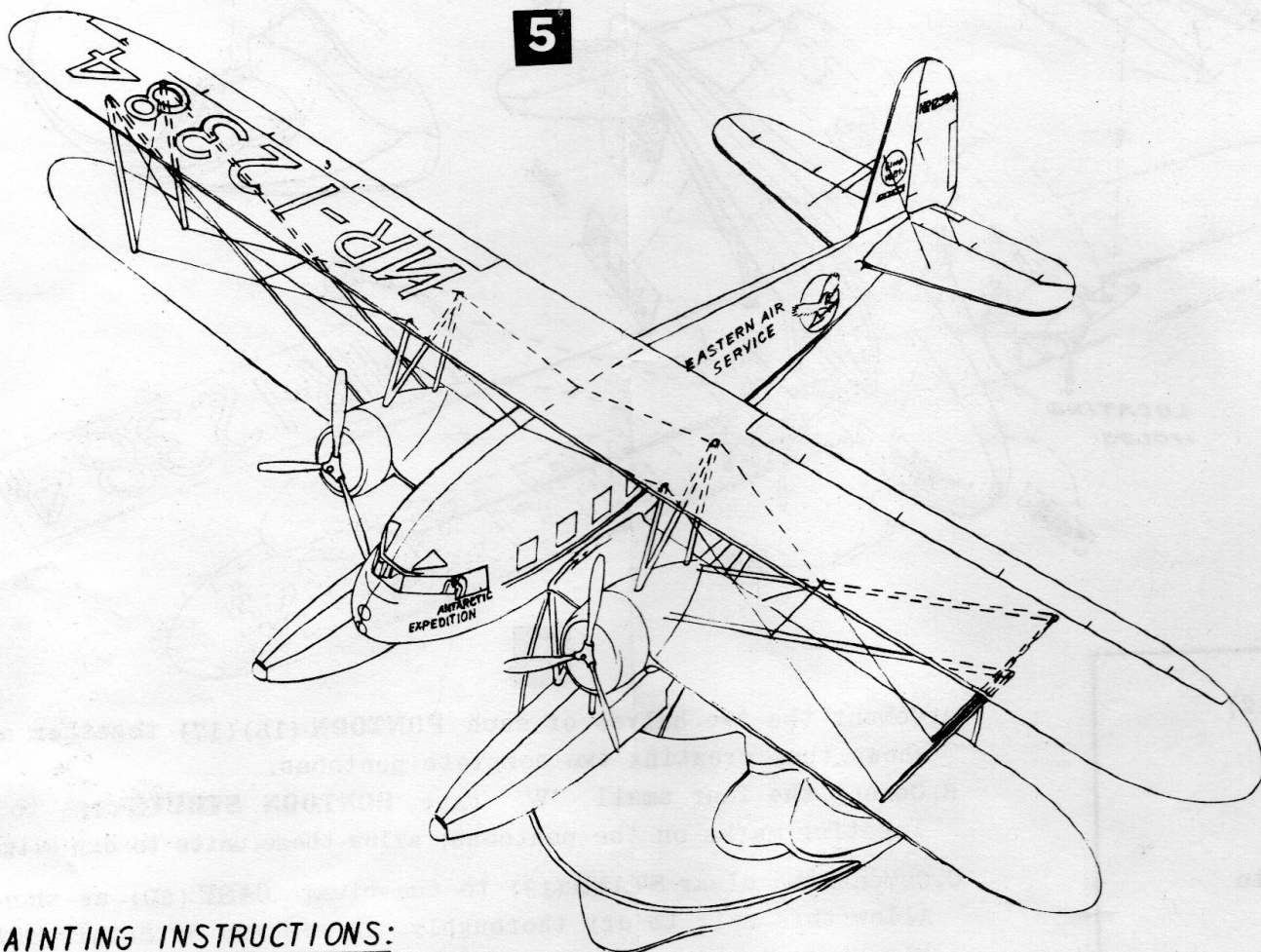
POSITION UNTIL
proceed to

C' view IV.
STRUTS (21)
Use the locating
as your guide.
view IV.

- A. Cement the two halves of each **PONTOON** (16) (17) together as shown, thus creating two complete pontoons.
- B. Cement the four small 'V' type **PONTOON STRUTS** (18) to the locating marks on the pontoons; allow these units to dry slightly.
- C. Cement the clear **STAND** (19) to the clear **BASE** (20) as shown; Allow this unit to dry thoroughly. To aid you with this assembly, line up the arrow on each piece so they point directly at each other. **NOW RETURN TO STEP 'F' VIEW III.** Turn the plane over on its top wing, as in the drawing, and proceed.
- D. Cement the assembled pontoons with struts into the locating holes provided in the under side of the wing as shown. Keep the front pontoon strut straight up and angle the rear strut into the back locating hole.
- E. Cement the two large 'V' **STRUTS** (22) into positions as shown, between the back **SMALL 'V' PONTOON STRUT** (where it is cemented to the pontoon) and the fuselage as shown.
- F. Cement the **TWO SINGLE STRUTS** (23) into position as shown, one to each pontoon.
- G. Cement the **TWO EXHAUST PIPES** (24) into positions on the wing as shown.

ALLOW THE PLANE TO DRY IN THIS UPSIDE DOWN POSITION BEFORE ASSEMBLING THE STAND.

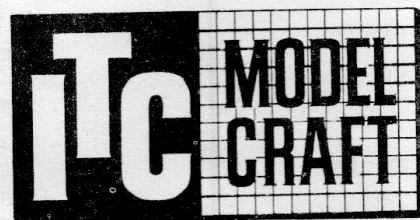
- A. Apply all decals to positions as shown. Instructions on how to apply can be found on the back of the decal sheet.
- B. Cement the tab on the assembled stand into the slot provided in the bottom of the plane.
- C. String thread between the wing struts and between the stabilizers and fin as shown.



PAINTING INSTRUCTIONS:

- A. Fuselage(2)(4) - DARK BLUE (including tail-fin) with ORANGE stripe down the side; SILVER circular raised portions at the nose and SILVER in triangular portions over the front windshield.
- B. Pilot(6) and Passenger(7) - color as desired.
- C. Stabilizers(8) - lower wing halves(9)(10)
upper wing halves(11)(12) - ORANGE
- D. Engines(13) - DARK BLUE Nacelle with SILVER center.
- E. Propellers(14) - SILVER with RED, WHITE and BLUE stripe on tips..
- F. All struts(15)(21)(18)(22)(23) - SILVER.
- G. Pontoons(16)(17) - SILVER with BLACK tip at front end.
- H. Exhaust pipe(24) - SILVER.
- I. Stand and Base(19)(20) - leave as the molded color.

YOU HAVE NOW FINISHED THE
ASSEMBLY OF ANOTHER MODEL
BY:



HOBBY DIVISION OF IDEAL TOY CORPORATION

SEE OUR OTHER BEAUTIFUL AND AUTHENTIC MODELS AT YOUR LOCAL DEALER'S SHOP