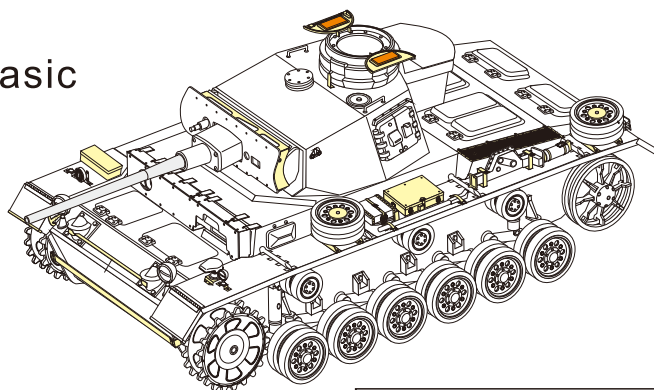


1/35 MILITARY MINIATURE VEHICLE UPGRADE SERIES PE351116

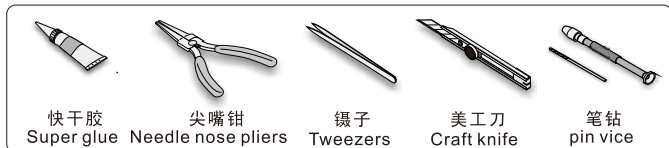
WWII German Pz.KPfw.III Ausf.J basic










二战德军III号坦克J型基本改造件


[For RFM 5070]



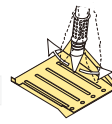
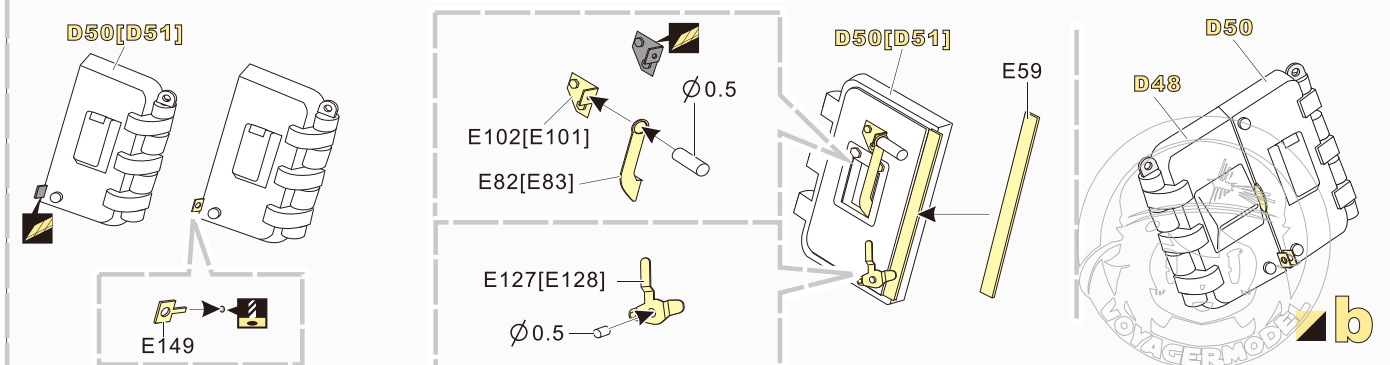
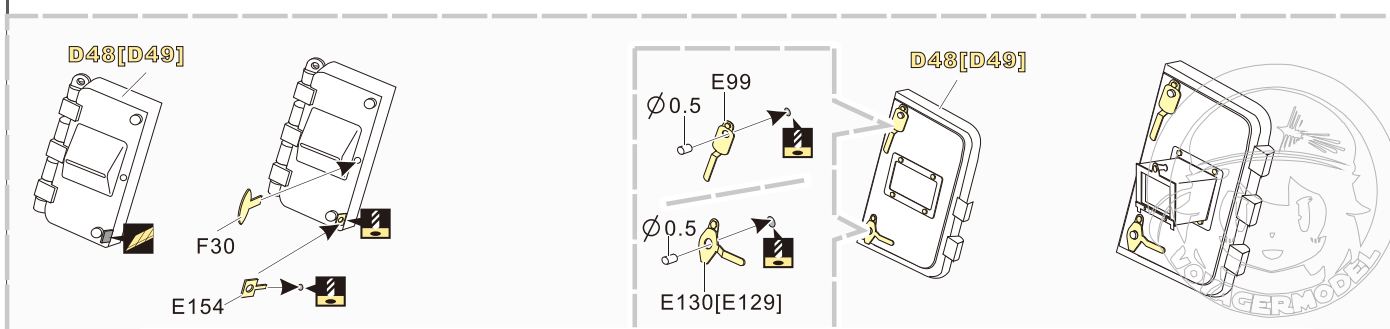
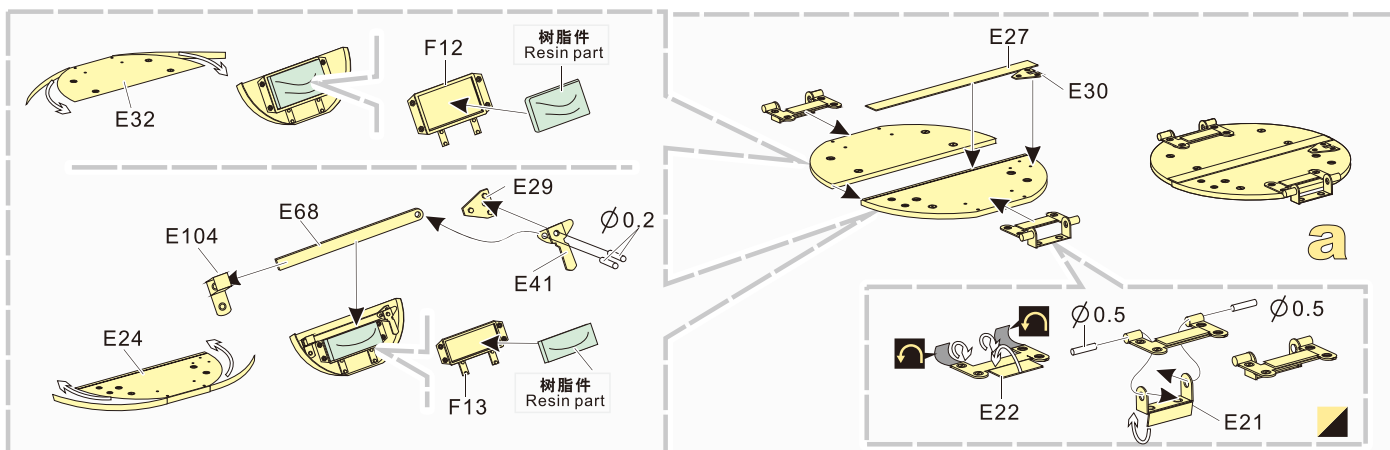
■ 推荐使用工具 RECOMMENDED TOOLS



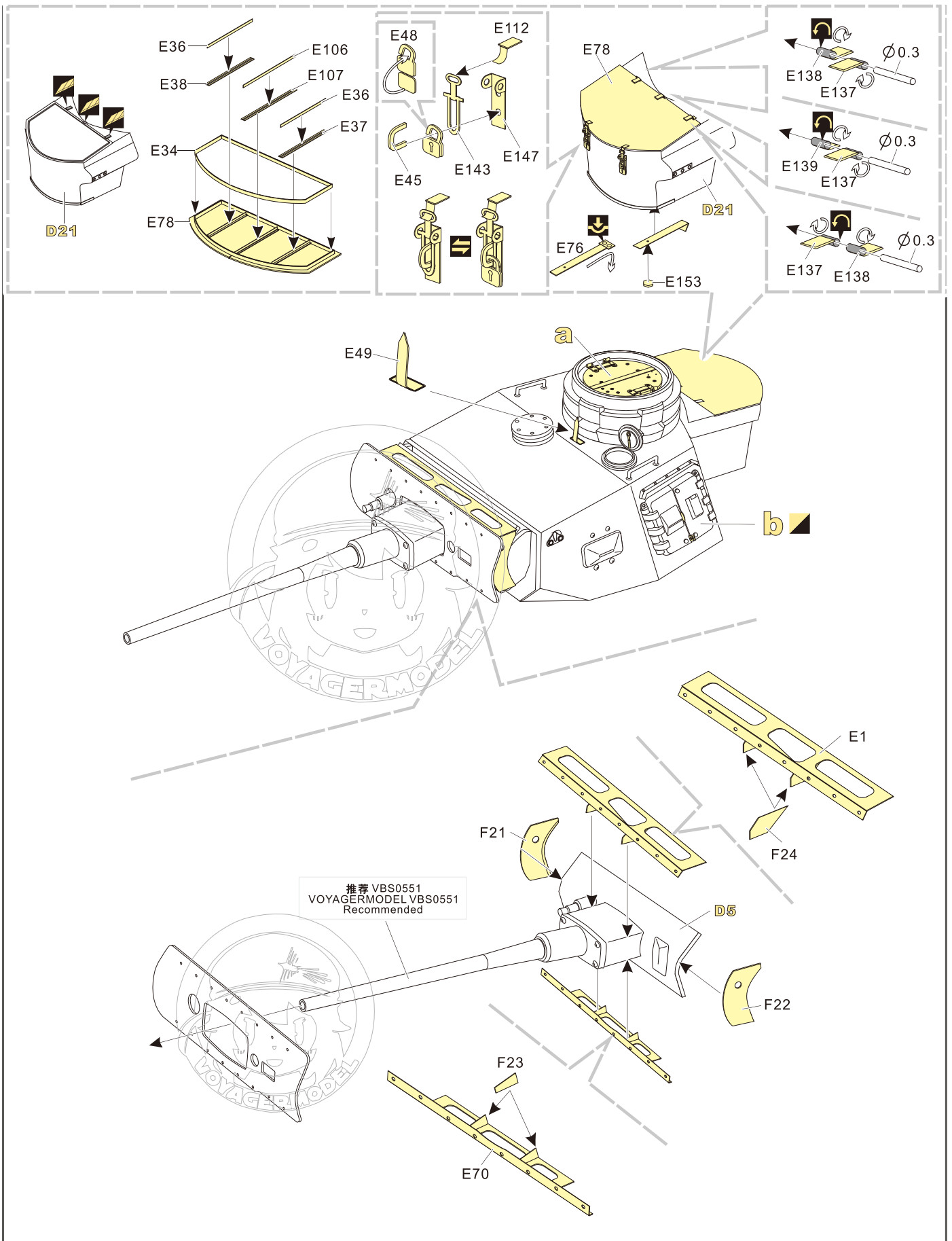
- 
 安装
install
- 
 折叠
bend
- A1**
 改造件零件编号
PE/resin part number
- B12**
 原零件编号
kit part number
- C22**
 被替换的原零件编号
replaced kit part number
- 
 另一侧相同制作
repeat on opposite side
- 
 切除
remove
- 
 打磨
grind off
- 
 弧度卷曲
radial bending
- x2**
 制作若干组
multiple assembly
- 
 选择安装
alternative
- 
 用铜管制作
make from brass tube
- 
 钻孔
drill


 用尖端在凹槽处冲压
use penpoint to press on the dent

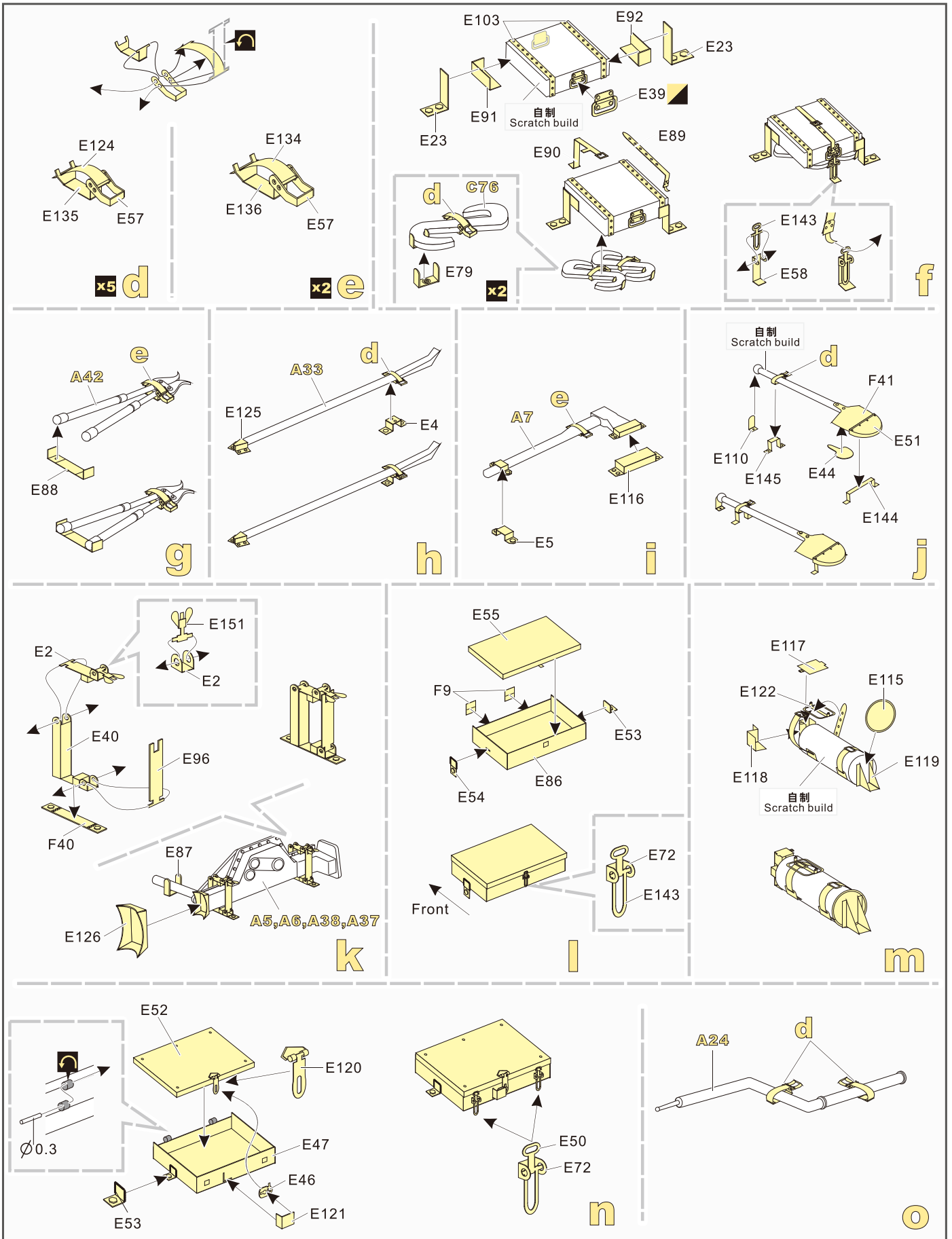
蚀刻片零件内朝面向上
Put the part upside down
 用笔尖在凹槽处刺
Use penpoint to press on the dent

1/35 MILITARY MINIATURE VEHICLE UPGRADE SERIES PE351116



1/35 MILITARY MINIATURE VEHICLE UPGRADE SERIES PE351116



1/35 MILITARY MINIATURE VEHICLE UPGRADE SERIES PE351116

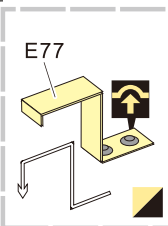
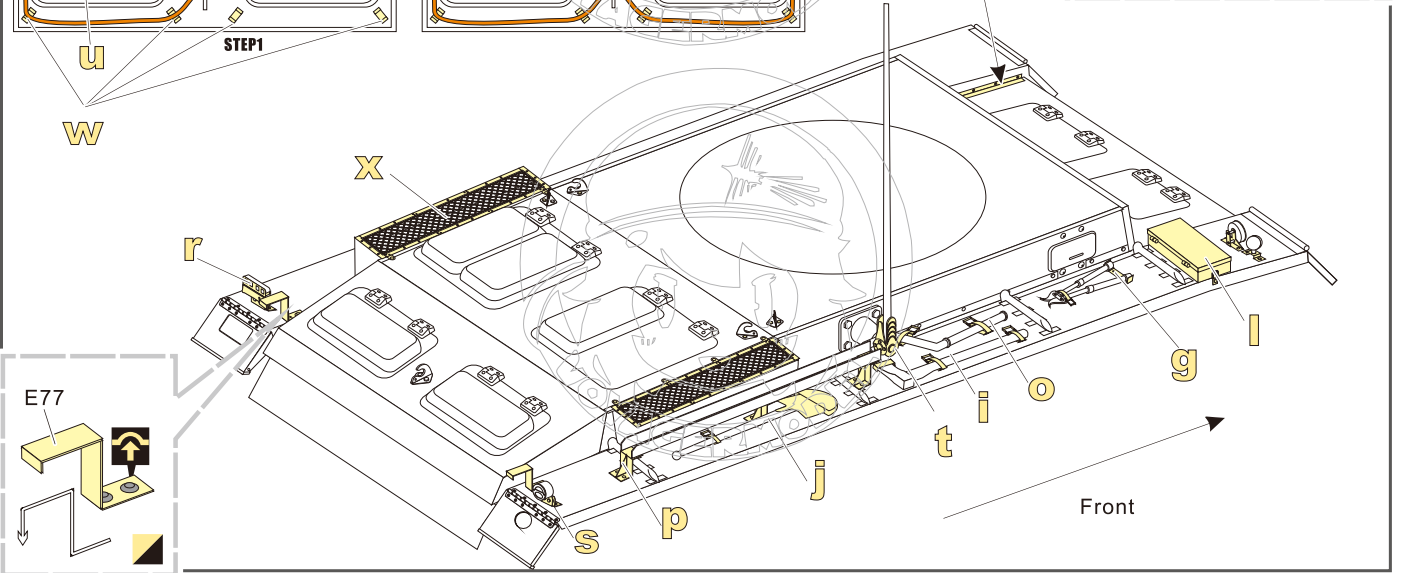
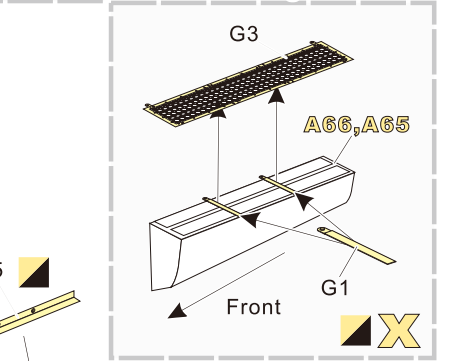
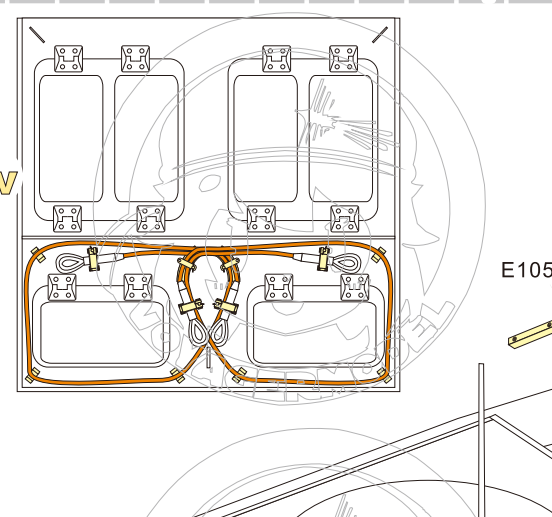
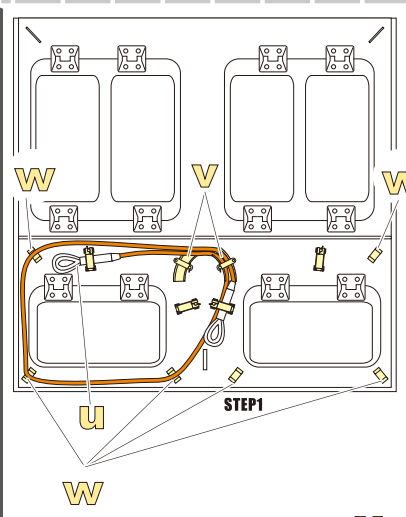
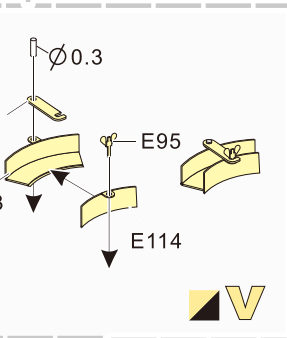
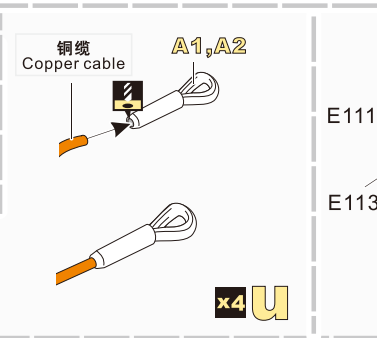
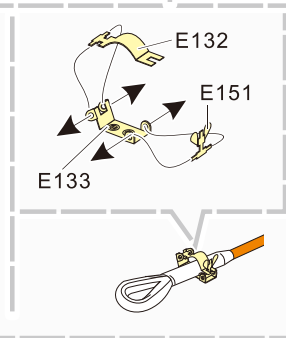
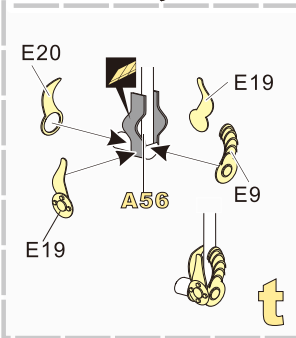
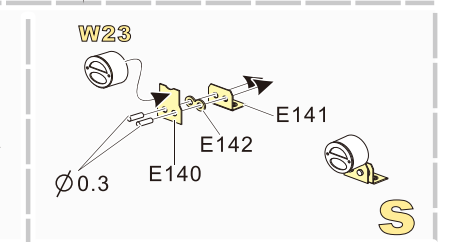
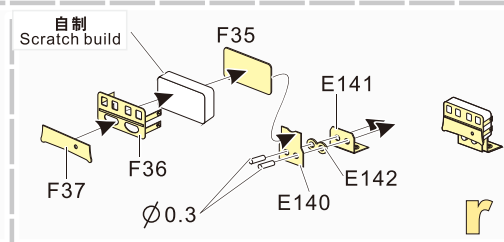
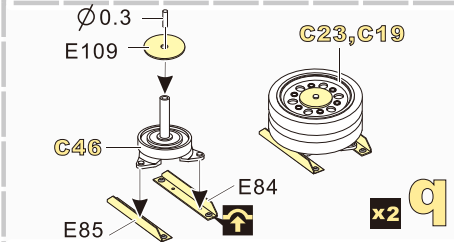
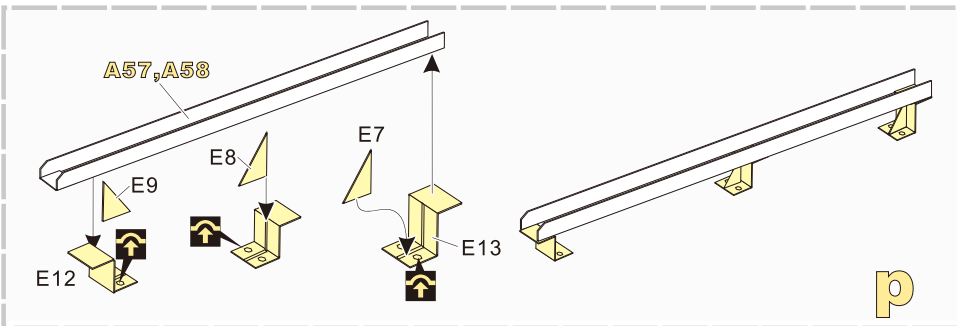
<http://www.voyagermodel.com/productdetails.asp?itemid=PE351116>



**VOYAGER
MODEL**

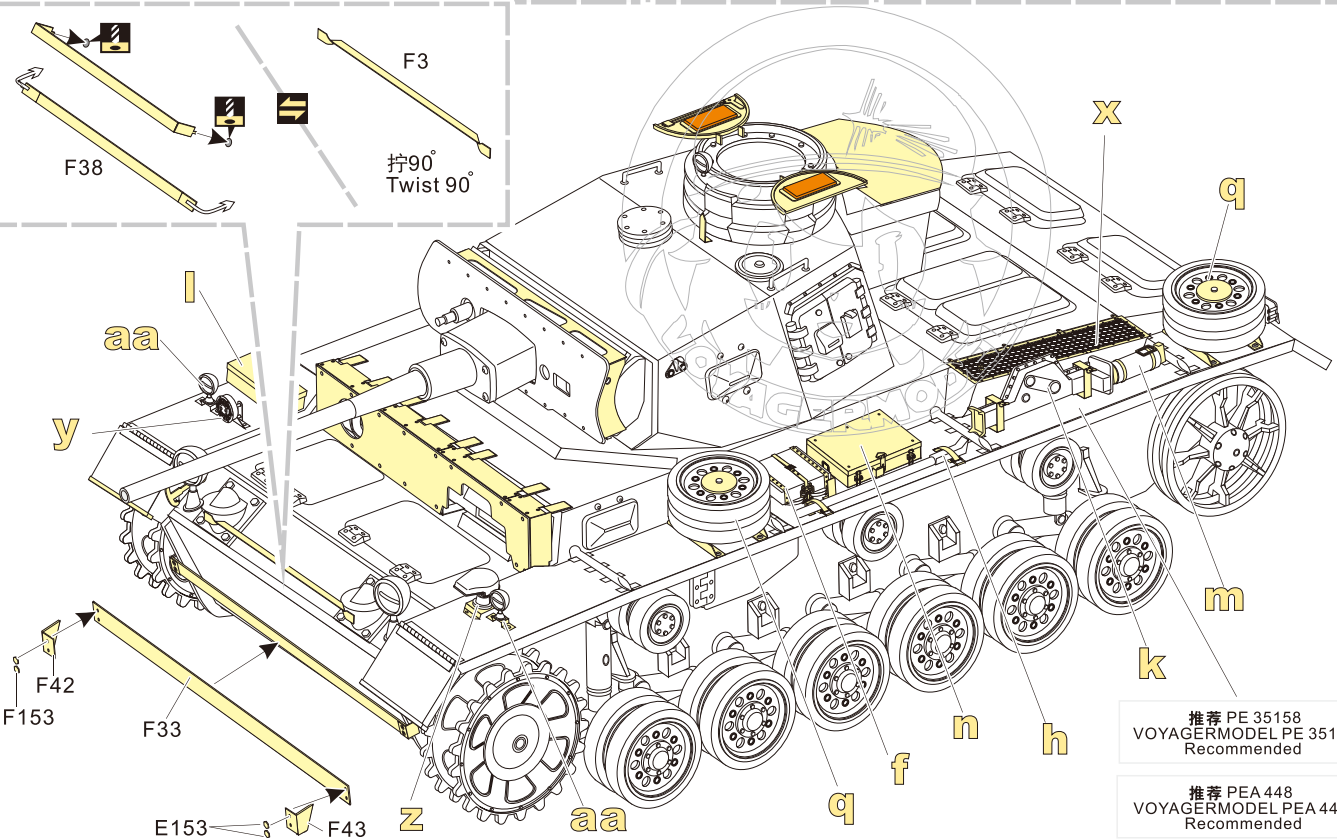
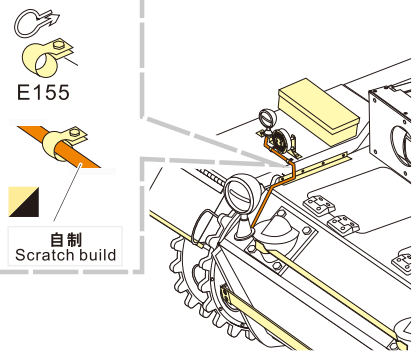
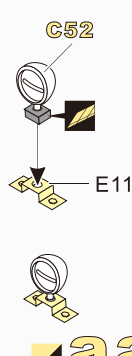
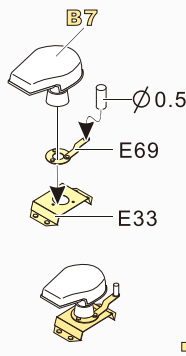
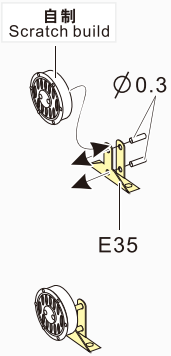
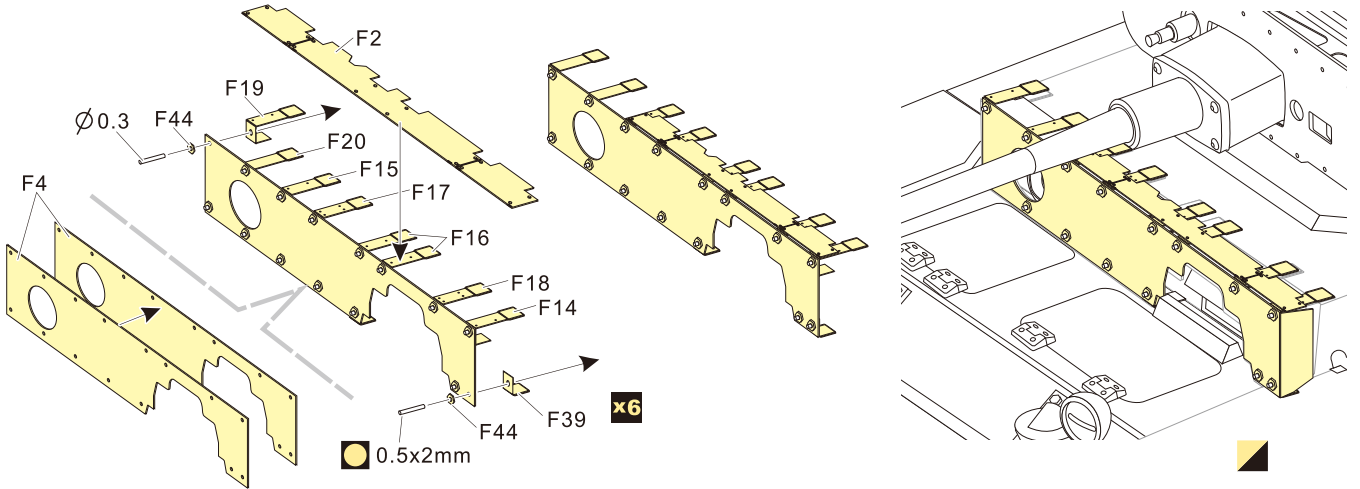


更多PE351116样品照片参考请扫一扫
MORE PICTUR OF PE 351116
REFERENCE SCAN HERE



1/35 MILITARY MINIATURE VEHICLE UPGRADE SERIES PE351116

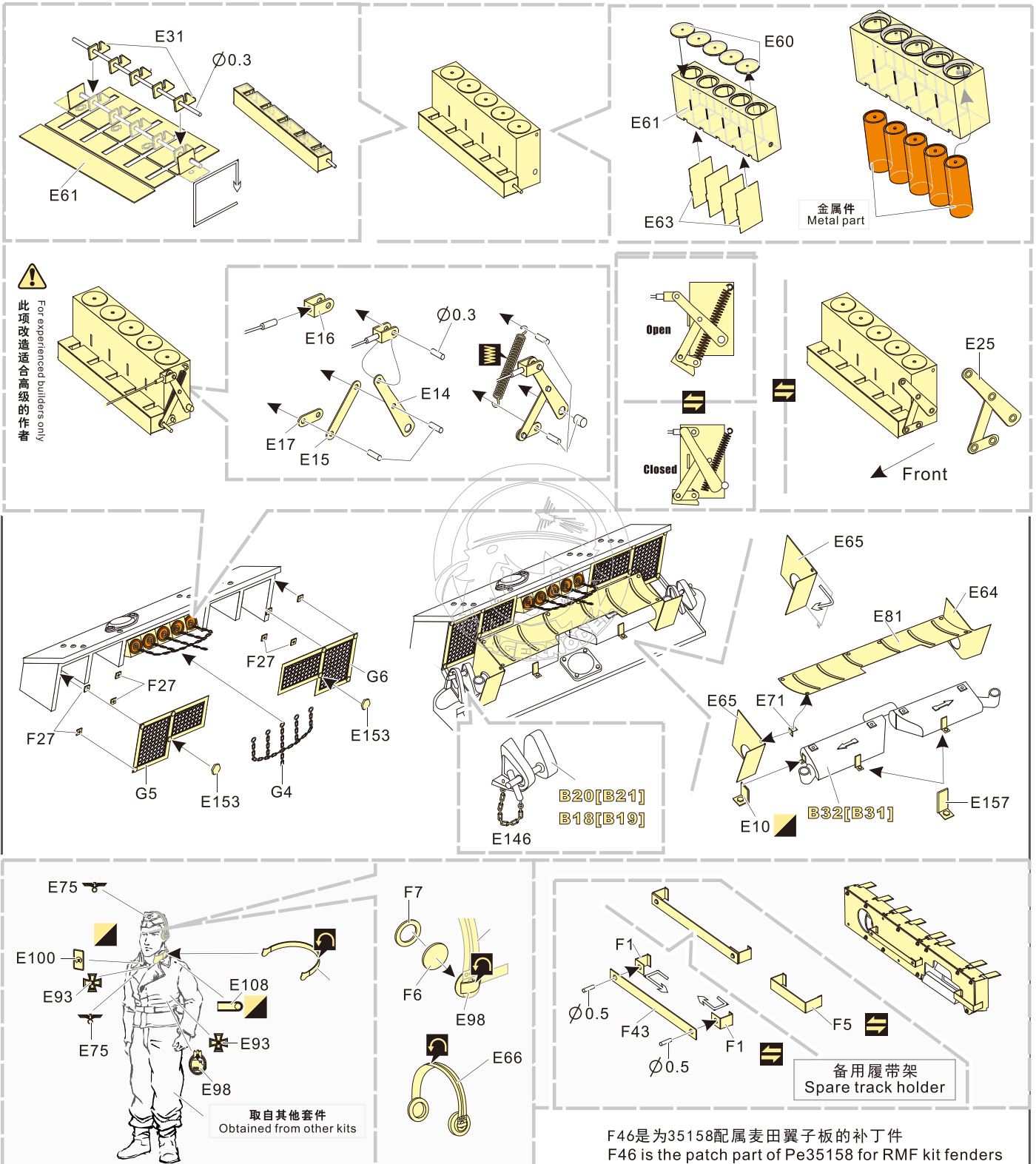
车体正面附加装甲制作
Front armour plate assembly



推荐 PE 35158
VOYAGERMODEL PE 35158
Recommended

推荐 PEA 448
VOYAGERMODEL PEA 448
Recommended

1/35 MILITARY MINIATURE VEHICLE UPGRADE SERIES PE351116



VOYAGERMODEL[®] 无微不至 极尽享受

Recommended item

| | |
|----------|---|
| PE 35158 | WWII German Pz.KPfw.III Mid-Late Production Fenders |
| PE 35157 | WWII German Pz.KPfw.III Ausf.J DRAGON |
| VBS0511 | WWII German 50mm KwK39 L/60 Gun Barrel (Pz.III used) |
| PE 35228 | WWII Pz.KPfw. III Ausf L |
| PE 35238 | WWII German Pz.Kpfw.III Ausf.N |
| PE 35242 | WWII German Pz.Kpfw.III Ausf.N sPz.Abt 501 Afrika |
| PEA 108 | WWII German Pz.KPfw.III Late Production Damaged Road Wheels |
| PEA 448 | WWII German Pz.Kpfw.III Ausf.M/N Additional Armour |

VOYAGERMODEL[®] 无微不至 极尽享受

Recommended item

| | |
|-----------|--|
| PE 35294 | WWII German StuG.III Ausf.G Late Production Basic |
| PE 35121 | WWII German StuG.III Ausf.G Early Production Basic |
| PE 35337 | WWII Pz.KPfw. III Ausf N late version |
| PE 35356 | WWII Finnish army StuG.III basic |
| PE 35863 | WWII German Pz.KPfw.III Ausf.M basic |
| PE 35476 | WWII German STUG III. Ausf.SIG33 |
| PE 35630 | WWII German StuG.III Ausf.G Late Production Basic |
| PE 351078 | WWII German Pz.KPfw.III Ausf.M basic |
| PE 351079 | WWII German Pz.KPfw.III Ausf.N basic |