

WWII MILITARY MINIATURES SERIES

GRANT Mk. II

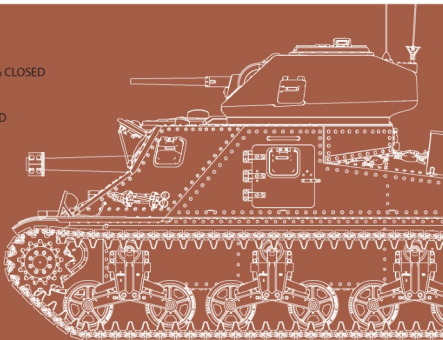
35282



SCALE
1:35

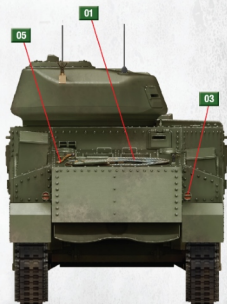
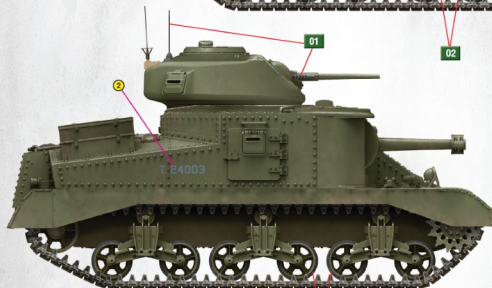
GENERAL INSTRUCTION

- HIGHLY DETAILED MODEL
- ALL HATCHES CAN BE POSED OPEN & CLOSED
- WORKABLE WE210 TRACKS INCLUDED
- CLEAR PLASTIC PARTS INCLUDED
- PHOTO-ETCHED PARTS INCLUDED
- DECAL SHEET FOR 6 OPTIONS
- BRITISH RUCKSACKS,
BAGS & FOLDED CANVAS INCLUDED



GRANT Mk. II

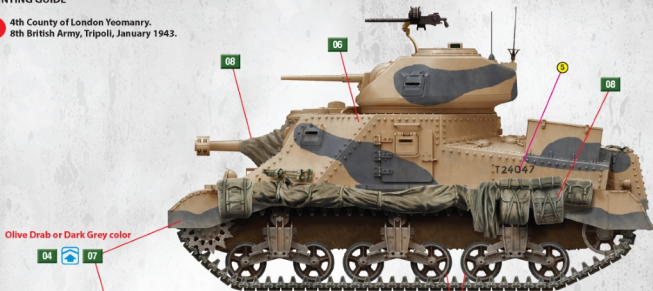
- 1 500th Grant produced by Baldwin Locomotive Works.
Eddystone, Pennsylvania, USA. June, 1942.



- 2** Tac HQ's Defense Company 8th Army, El Alamein, November 1942. This was General Montgomery's command tank at El Alamein and was a permanent feature of 8th Army Tac HQ.



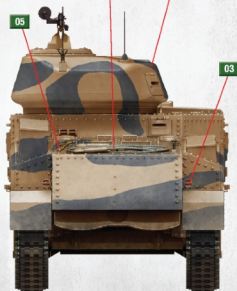
3 4th County of London Yeomanry.
8th British Army, Tripoli, January 1943.



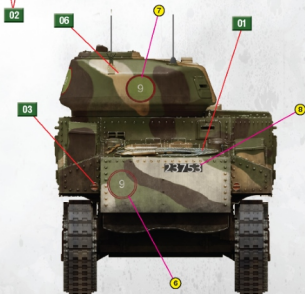
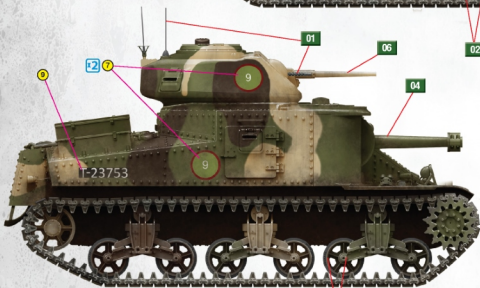
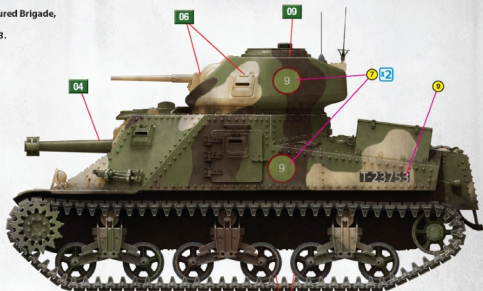
Olive Drab or Dark Grey color



Olive Drab or Dark Grey color



4

 2/4th Armoured Regiment, 2nd Armoured Brigade,
 1st Armoured Division.
 New South Wales, Australia. Early 1943.


ATTENTION

Ne pas utiliser de colle ou de peinture à proximité d'une flamme nue, et éviter la pièce de temps en temps.
 Pour retirer les pièces hors du cadre, utiliser des ciseaux spatulés pour empêcher la plastifieuse en excès avec un cutter ou une lime.
 Voir la fin de cette colonne pour la signification des symboles.
 Après l'assemblage peut rester des pièces inutilisées.

УВАГА

При використанні клею та фарби роботи проводити подалі від джерела вогню у приміщенні, що добре провітрюється.
 Деталі відокремлювати від пластику ножем або іншим гострим інструментом. Замість лопатки використовувати ніж або наждачний папір.
 Вудивляючі моделі виконати згідно з схемою. Для зручності побудови кожна деталь позначена координатами.
 Після складання можуть залишитися невикористані деталі.

ВНИМАНИЕ

При использовании клея и краски все работы проводить в проветриваемом помещении удаленно от источников огня.
 Детали отделять от пластика ножом или другим острым инструментом. Вместо лопатки использовать нож и наждачную бумагу.
 Сборку моделей производить согласно схеме сборки.
 Для удобства сборки каждая деталь обозначена номером.
 После сборки набора могут остаться неиспользованные детали.

ATTENZIONE

Non usare colla o vernice vicino a fiamme scoperte, e aprire le finestre di tanto in tanto per cambiare l'aria.
 Quando si staccano parti del cartello, usare forbici da modellismo e allevare la plastica in eccesso con un coltello o una lima.
 Vedere in fondo a questa colonna per il significato dei simboli.
 Dopo l'assemblaggio possono rimanere parti inutilizzate.

CAUTION

When you use glue or paint, do not use near open flame, and use in well ventilated room.
 When you take parts off from the runner frame, use modeling scissors or cutters.
 See the bottom of this column for the meaning of symbols.
 Extra details can remain after assembling of the kit.

PARTS

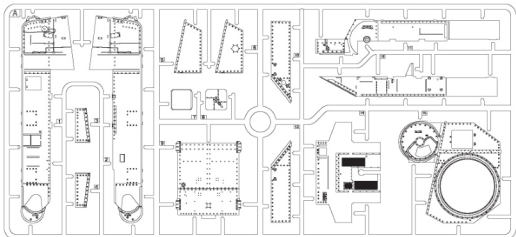
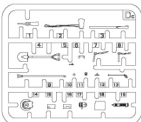
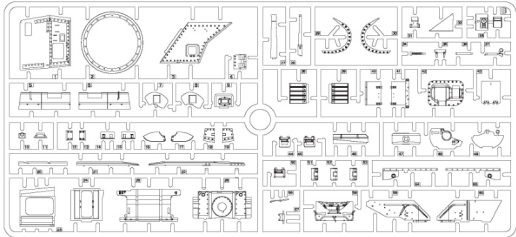
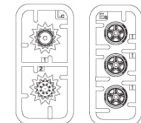
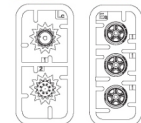
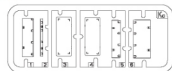
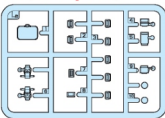
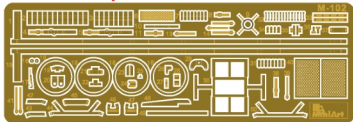
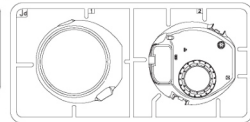
A**Dc****B****Lc x2****Ea x4****Kc****La (Clear parts)**

Photo-etched parts

**Li****Jd****He**

Decal





MADE FROM
2 TEILE FERTIGEN
EFFECTUALLY 2 PIECES
FAIRE CUE PEZZI
TWO PIECES
DOR 2 ST
EFFECTIVELY 2PIECE
BIRUAKTAK 2PIES



DO NOT CEMENT
NICHT KLEBEN
NE PAS COLLER
NON INCOLLARE
EIMMAU
LIMMAJLI
NE KLEBEN/SMYKAT KLEJ
HE KLEBITI



OPTIONAL
NACH BELIEBEN
FACILITATIVO
FACILITATIVO
VALKONNANNAHANNEN
VALKONNANNAHANNEN
BAKARANTY
BAKARANTY



OPEN HOLE
OFFENEN
FAIRE UN TROU
FORO APERTO
FORO APERTO
KANA RESEA
OPNA HALET
CUBIETHA CUBIETHA
SPROBITI CUPPE



REMOVE
ENTFERNEN
RETIENIR
SEPARARE
ROTTEN
ALLAGSINA
OTRYVAT
BIRUAKTAK



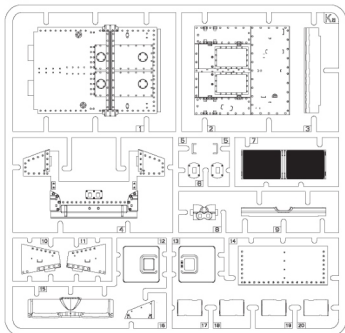
BEND
BIEGEN
PLIER SUR
PLIAGE
TALTA
SOCCA
BIFOLDIT
BIFOLDIT



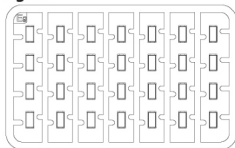
SCRATCH BUILD
AM NEUSTEN ZU MACHEN
FAIRE LE PLUS
RENDITI
THE FIRST
DOR DIE SAULY
CUBIETHA CUBIETHA
SPROBITI CUBIETHA

PARTS

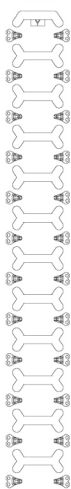
Ka



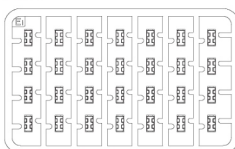
Eg x6



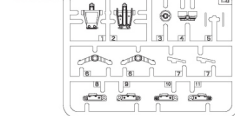
Y x14



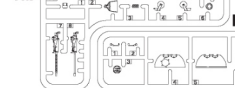
Ei x6



Ed x6



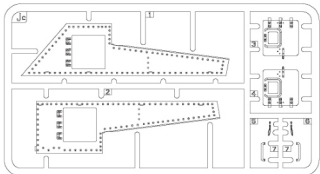
Hb



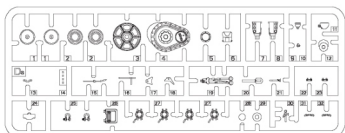
Hc



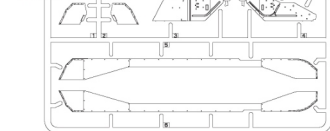
Jc



Da x2



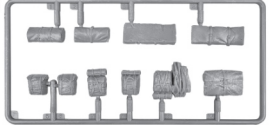
Ha



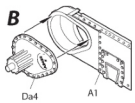
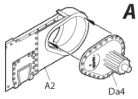
C1



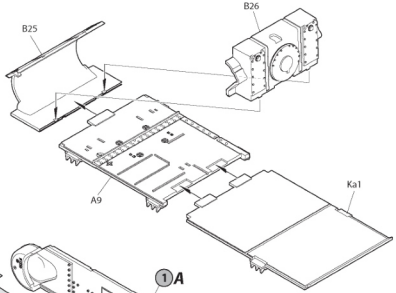
F1



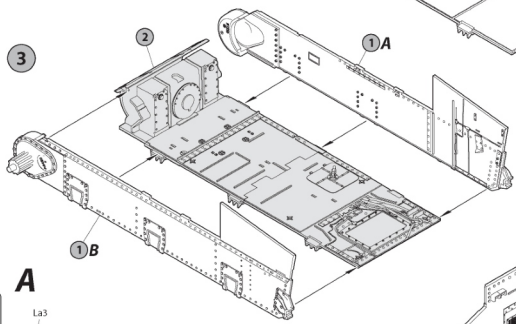
1



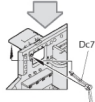
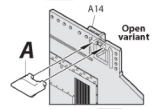
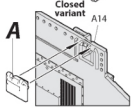
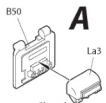
2



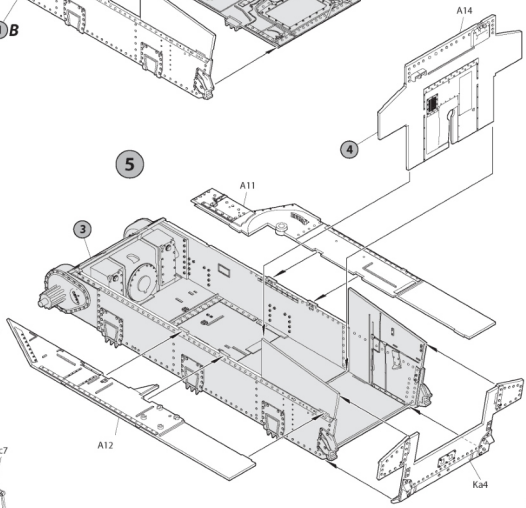
3

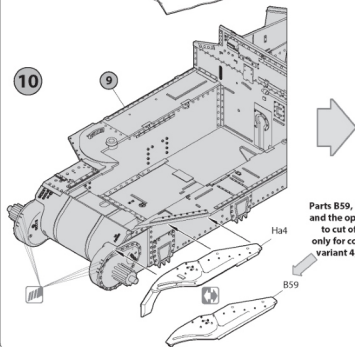
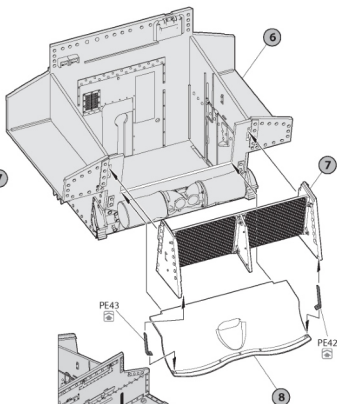
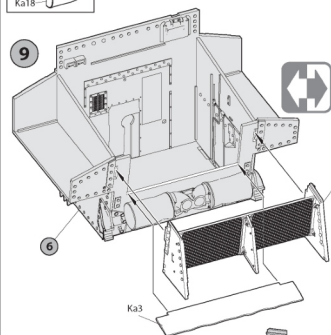
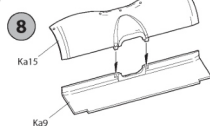
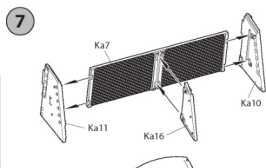
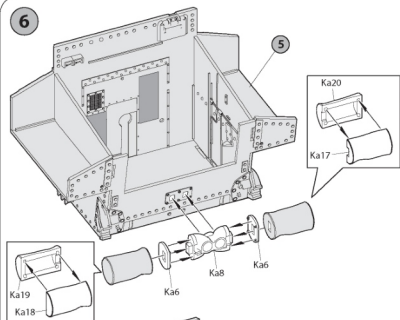


4

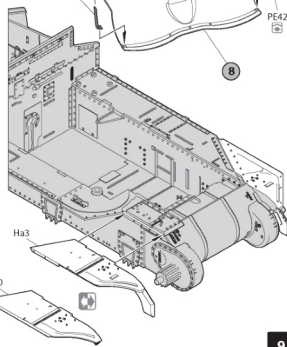


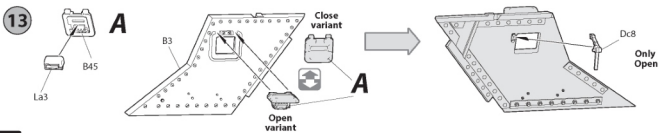
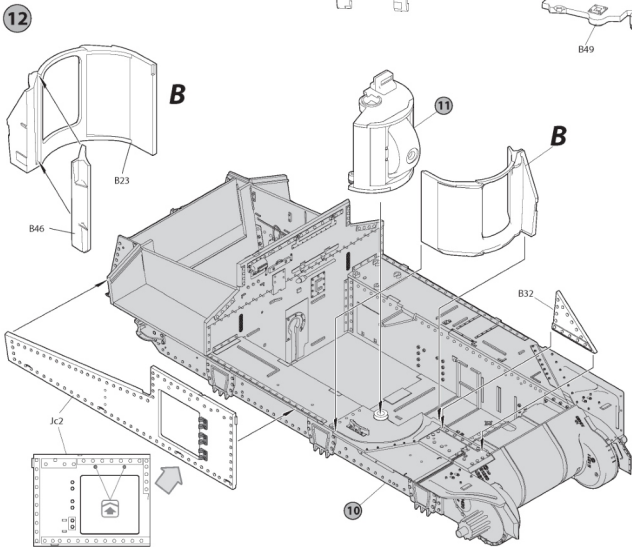
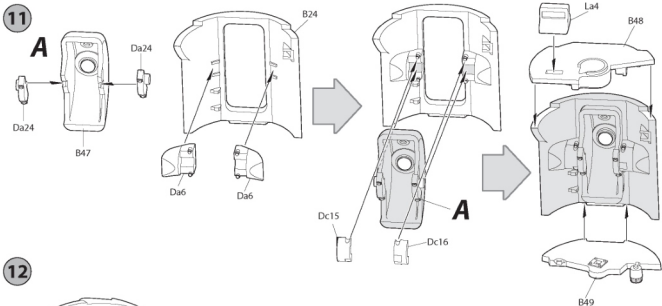
5



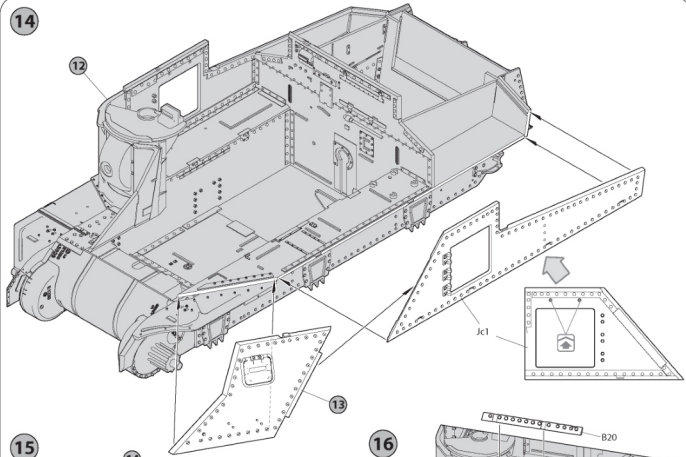


Parts B59, B60
and the option
to cut off
only for color
variant 4, 6

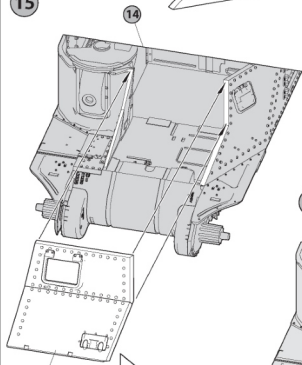




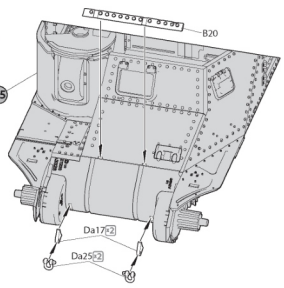
14



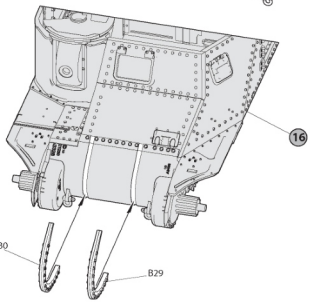
15



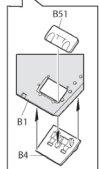
16



17

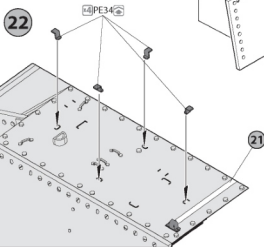
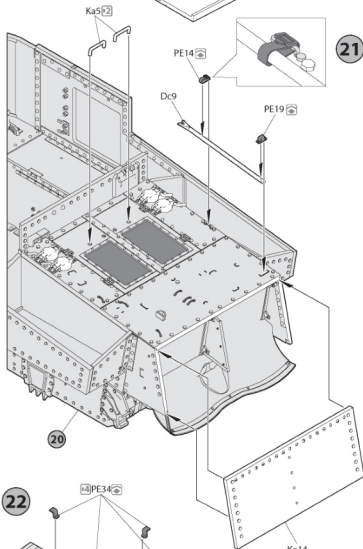
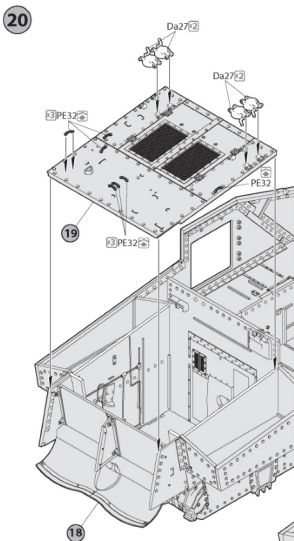
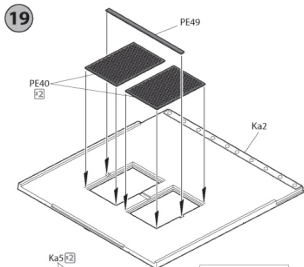
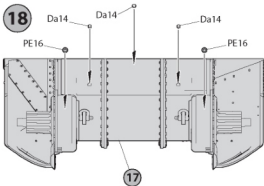


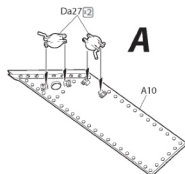
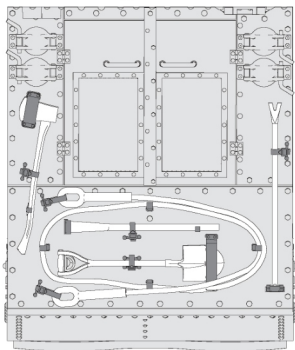
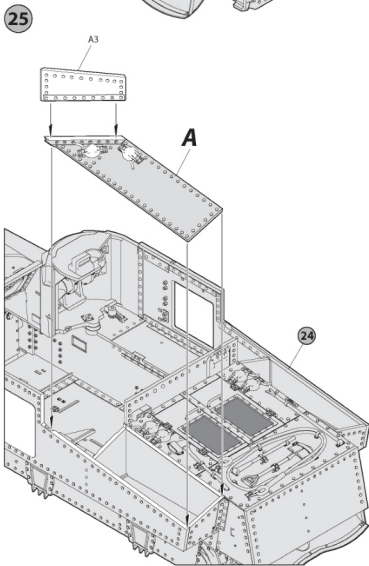
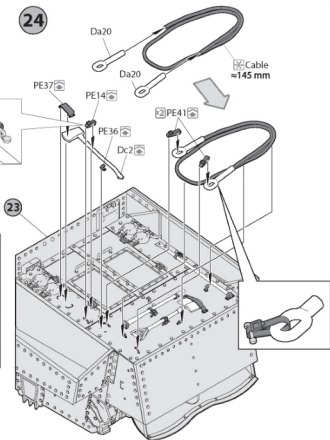
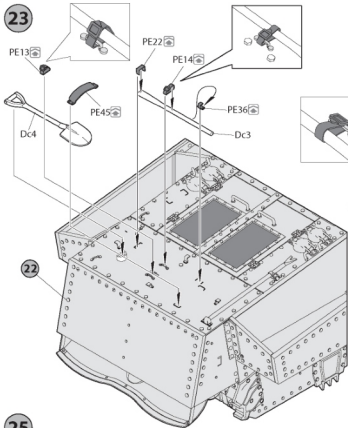
B1



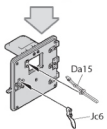
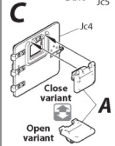
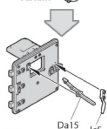
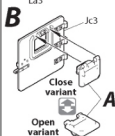
Da17x2

Da25x2

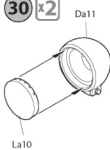




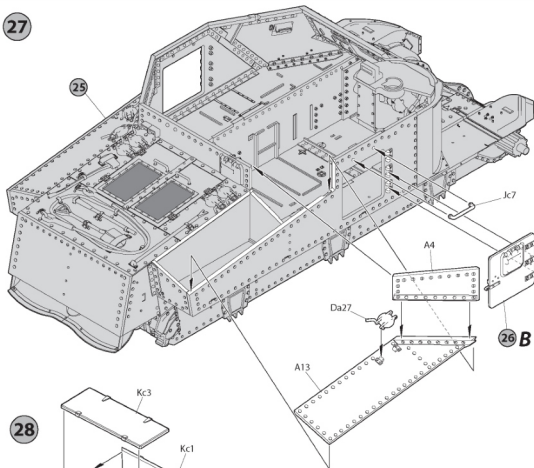
26 **A** x2



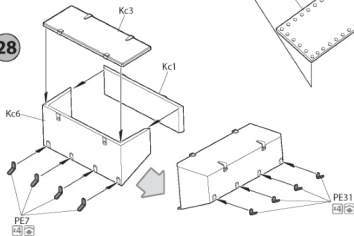
30 **x2**



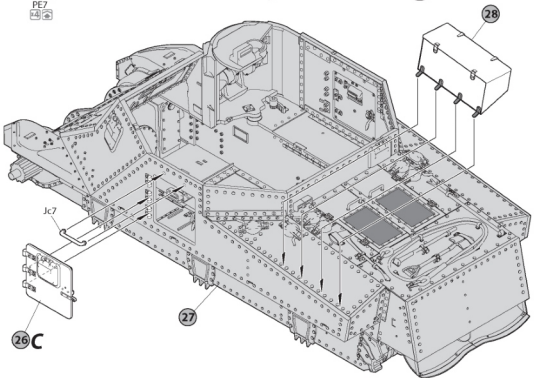
27



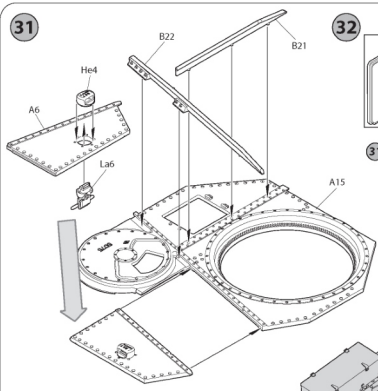
28



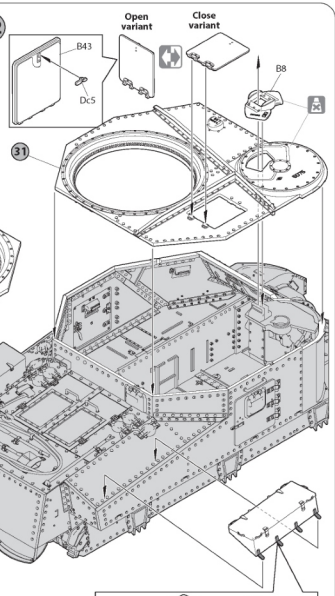
29



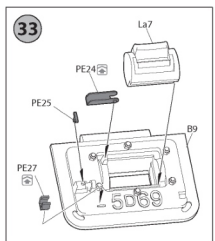
31



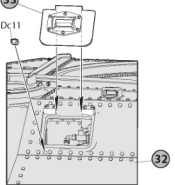
32



33



33

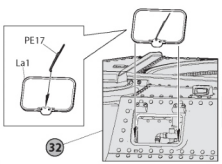


34

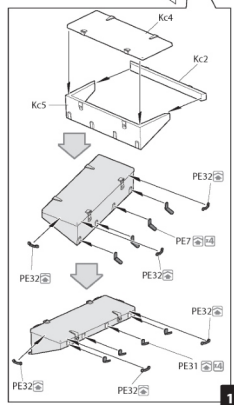
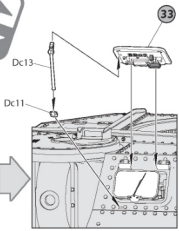
Close

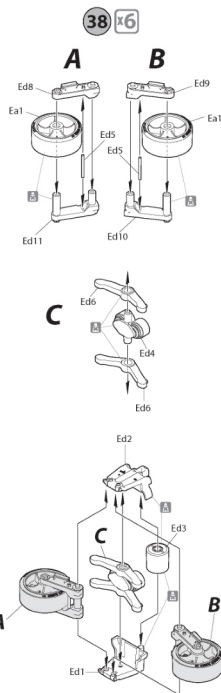
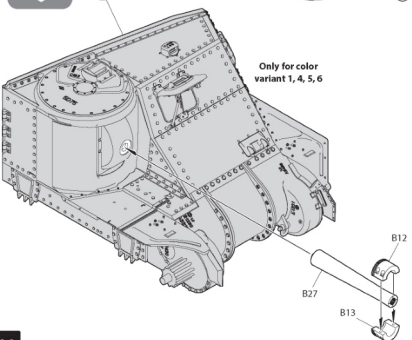
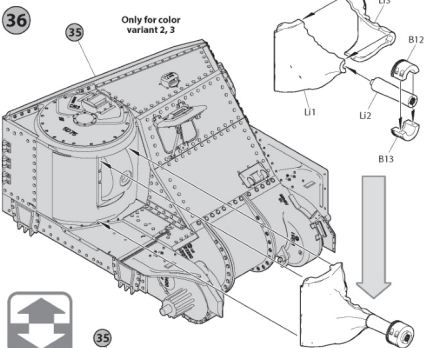
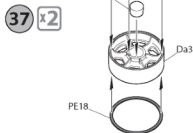
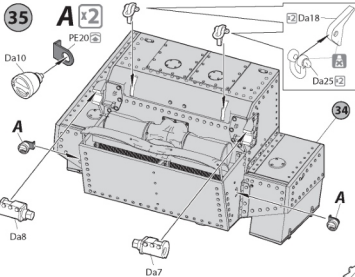


Open

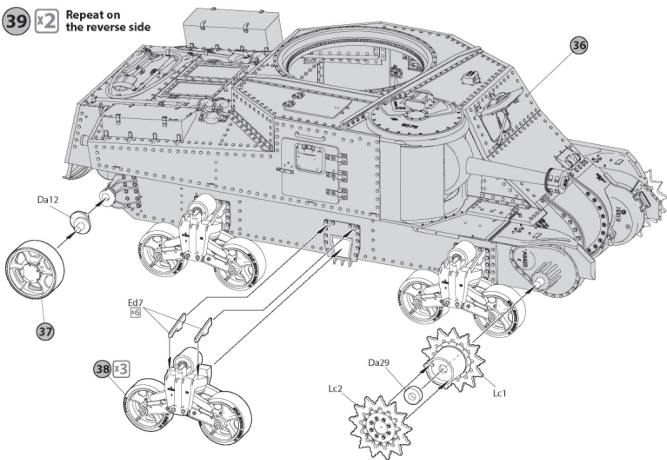


32

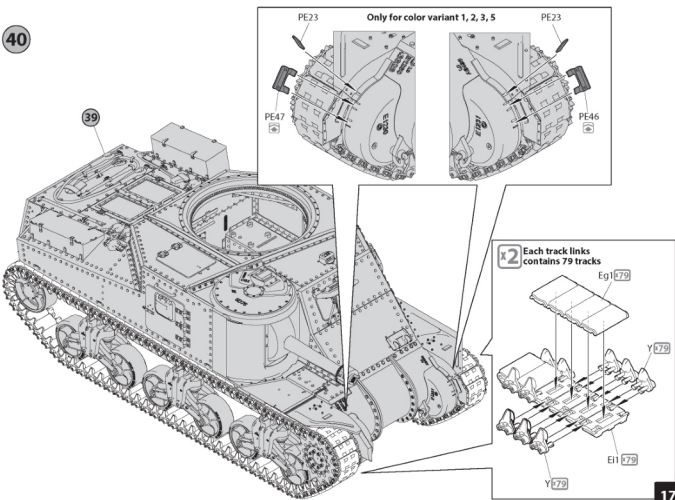




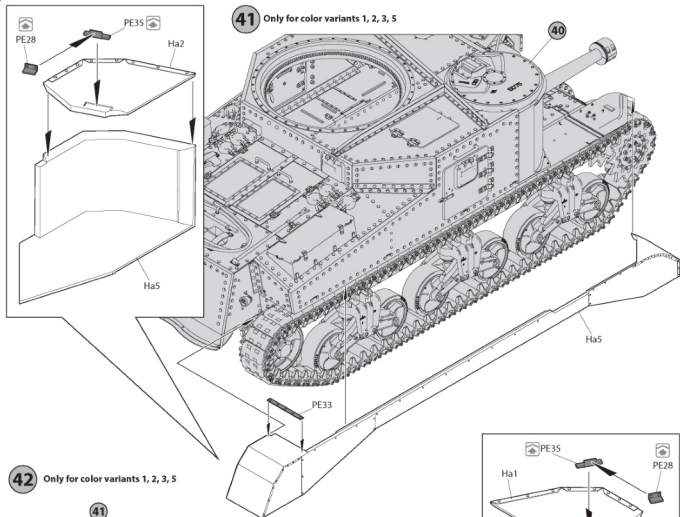
39 **x2** Repeat on the reverse side



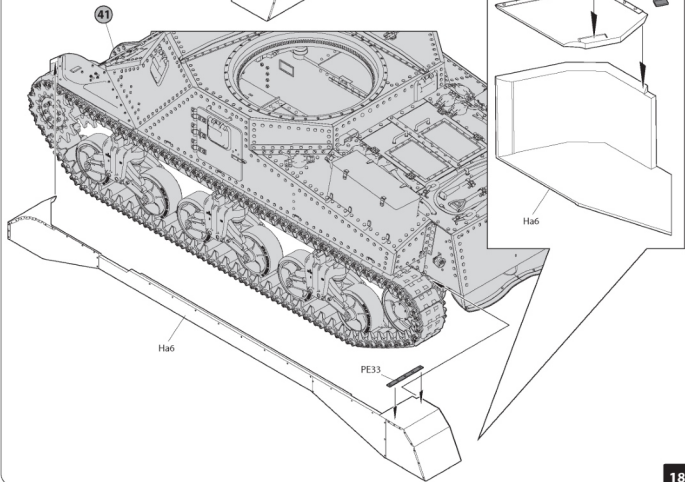
40

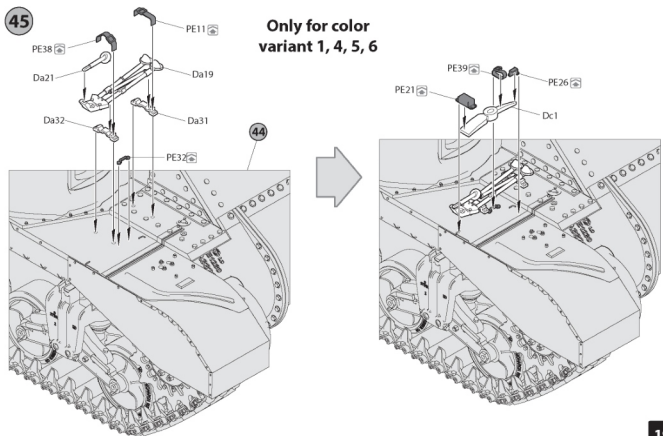
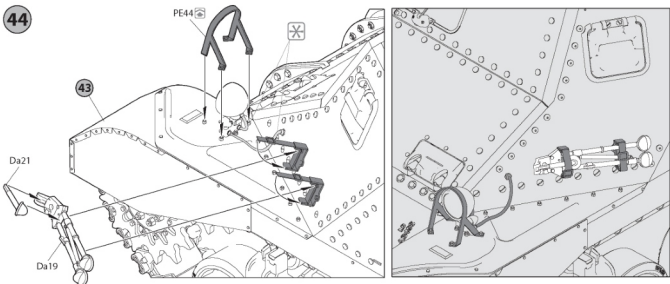
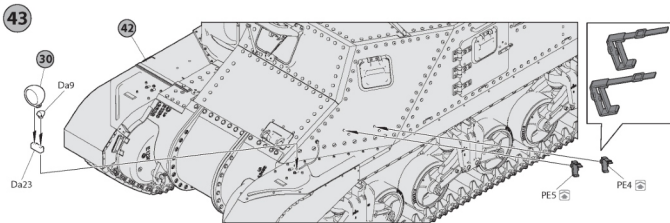


41 Only for color variants 1, 2, 3, 5

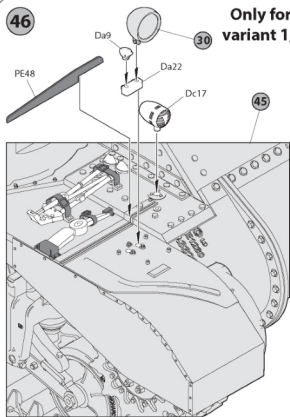


42 Only for color variants 1, 2, 3, 5

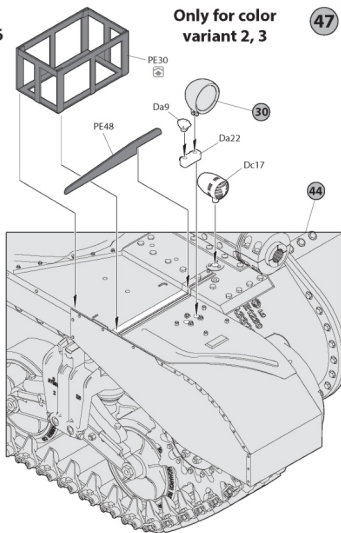




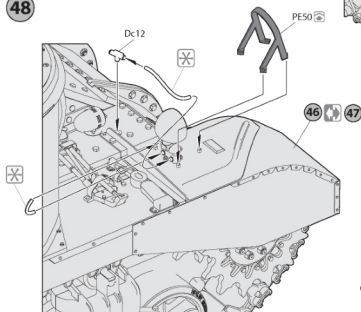
46

Only for color
variant 1, 4, 5, 6Only for color
variant 2, 3

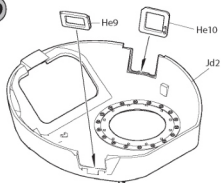
47



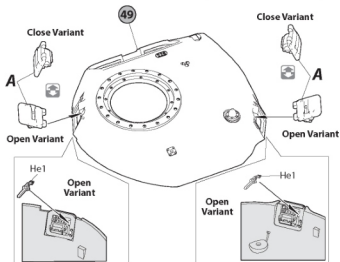
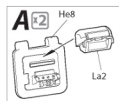
48



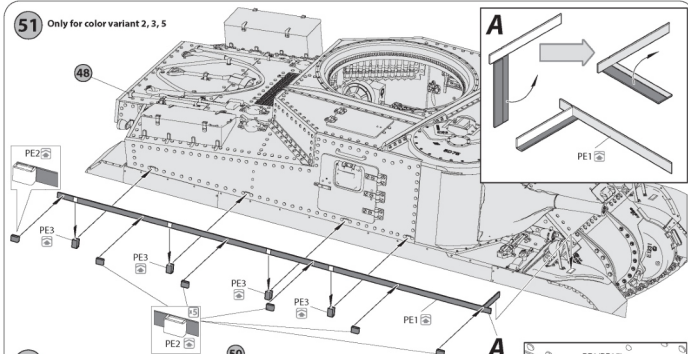
49



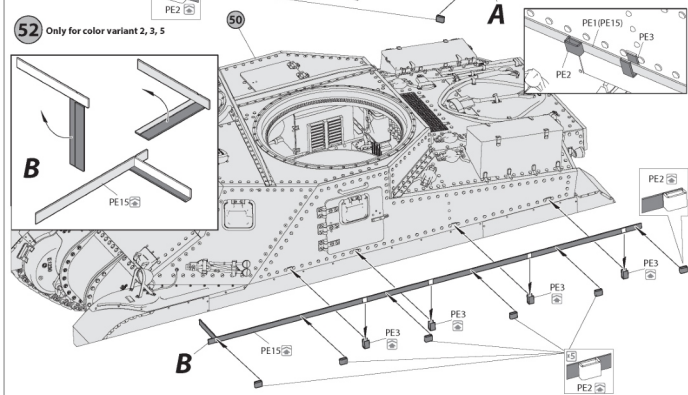
50



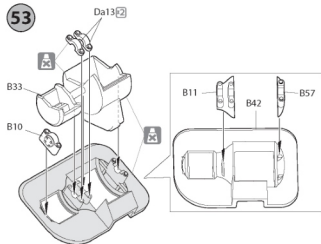
51 Only for color variant 2, 3, 5



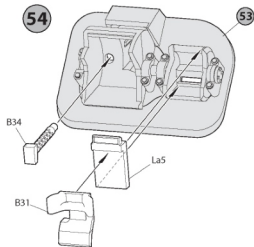
52 Only for color variant 2, 3, 5



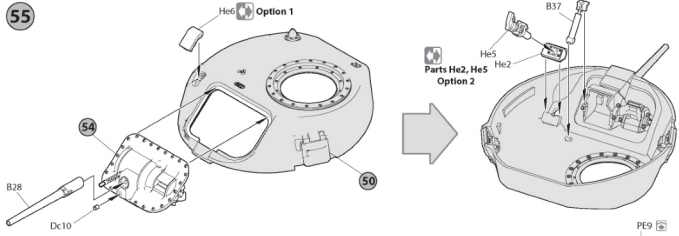
53



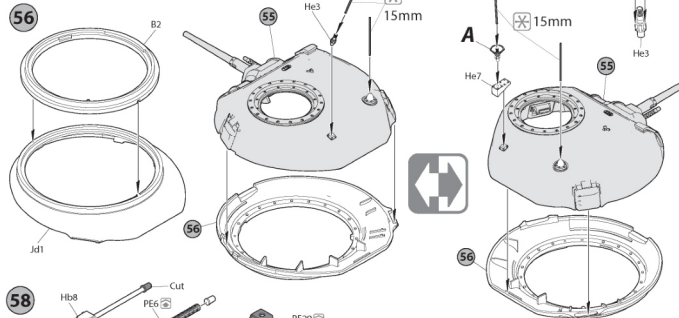
54



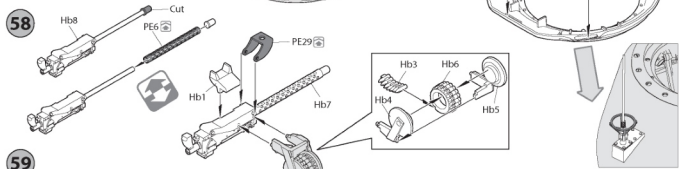
55



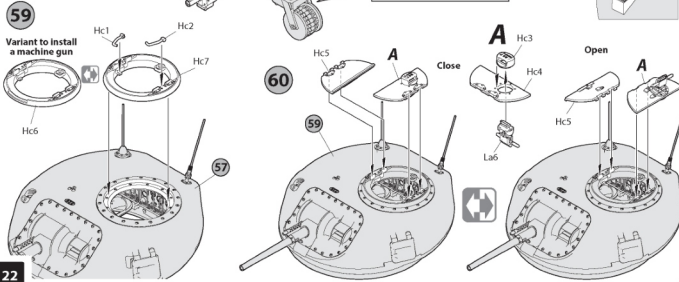
56



58



59



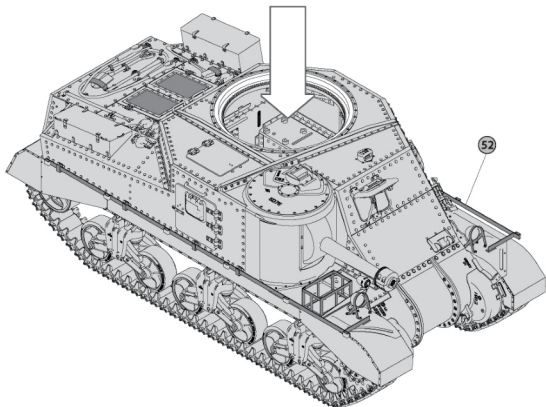
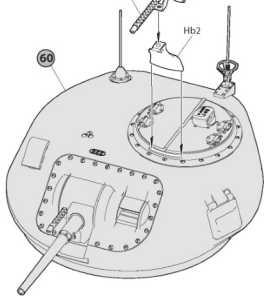
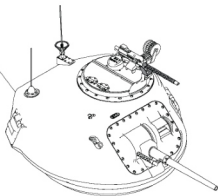
61

Variant to install
a machine gun

60

62

60 61



52

COLOR CHART

Nº	Color	Vallejo	Mr. Color	AK RC	Mission Models	AMMO MIG	Color name
01		70.863	078	RC-015	MMM-001	A.MIG-0045	Gun Metal
02		70.862	137	RC-022	MMP-040	A.MIG-0033	Tire Black
03		70.957	003	RC-006	MMP-003	A.MIG-0049	Red
04		70.850	038	RC-023	MMP-025	A.MIG-0926	US Olive Drab
05		70.311	043	RC-029	MMP-076	A.MIG-0037	Wood
06		70.819	313	RC-040	MMP-039	A.MIG-0030	British Sand
07		70.995	032	RC-057	MMP-074	A.MIG-0250	Dark Grey
08		70.924	012	RC-024	MMP-020	A.MIG-0056	Khaki
09		70.826	310	RC-035	MMP-033	A.MIG-0076	Brown
10		70.864	028	AK-457	MMM-002	A.MIG-0191	Steel



F6

F8

C4

C2



F2



F1



F4+F3



F10



F5

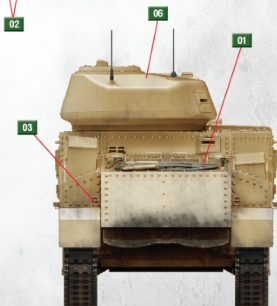
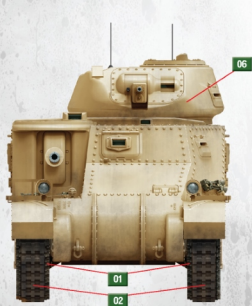
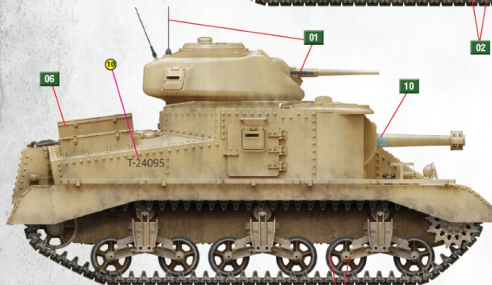
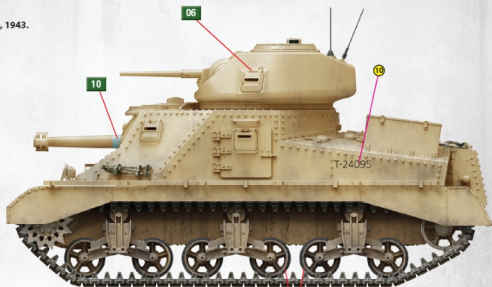
C3

F9

F7

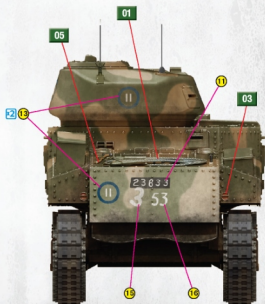
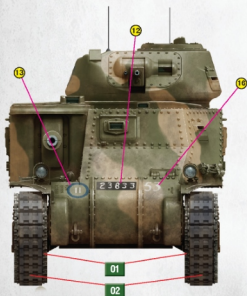
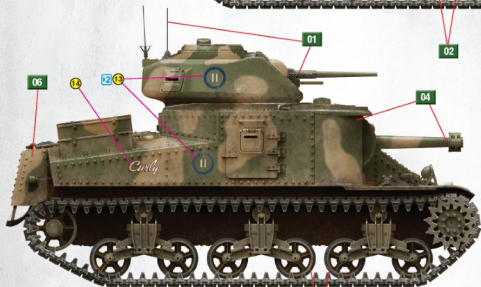
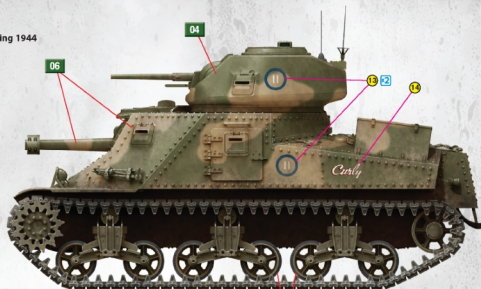
C1

5 Advanced Base No. 5,
Workshop in Al Mussalyib, Iraq, June, 1943.



GRANT Mk. II

6 2/9th Armoured Squadron,
 North Queensland, Australia, Spring 1944



RELATED ITEMS

M3 LEE

EARLY PRODUCTION

UNASSEMBLED PLASTIC MODEL KIT THE KIT CONTAINS MODELS OF U.S. MEDIUM TANK



1:35

MiniArt

35206

WW II MILITARY MINIATURES SERIES

INTERIOR KIT
UNASSEMBLED PLASTIC MODEL KIT

CLOSE COMBAT. U.S. TANK CREW

WW II MILITARY MINIATURES SERIES

UNASSEMBLED PLASTIC MODEL KIT THE KIT CONTAINS 10 PLASTIC FIGURES AND 1000+ ACCESSORIES



35135

1:35

MiniArt

U.S. OFFICERS

WW II MILITARY MINIATURES SERIES

UNASSEMBLED PLASTIC MODEL KIT THIS KIT CONTAINS 10 PLASTIC FIGURES AND 1000+ ACCESSORIES



35161

1:35

MiniArt

U.S. TANK CREW

WW II MILITARY MINIATURES SERIES

NW EUROPE



35070

MiniArt

UNASSEMBLED PLASTIC MODEL KIT THIS KIT CONTAINS MODELS OF FIVE FIGURES

SCALE 1:35

RELATED ITEMS

GRANT Mk.I

WW II MILITARY MINIATURES SERIES

UNASSEMBLED PLASTIC MODEL KIT
KIT CONTAINS MODELS OF
ENTIRE TANK
INCLUDED:
- POSITION TURRET OF TURRET
- FRONT & REAR COMPARTMENT
- ENGINE COMPARTMENT
- WORKABLE TRACKS
- 16 PARTS
- 48 FIGURES (OPTIONAL)

INTERIOR KIT
WHICH IS REMOVABLE PRODUCTION

35217



1:35

MiniArt

BRITISH TANK CREW

WW II MILITARY MINIATURES SERIES

UNASSEMBLED PLASTIC MODEL KIT
KIT CONTAINS 10 PARTS
AND CONTAINS MODELS
OF FIVE FIGURES



MiniArt

35078
1:35

BRITISH TANK CREW WINTER UNIFORM

WW II MILITARY MINIATURES SERIES

UNASSEMBLED PLASTIC MODEL KIT
KIT CONTAINS 11 PARTS
AND CONTAINS MODELS
OF FIVE FIGURES



SCALE
1:35

35121

BRITISH TANK RIDERS (NW EUROPE)

WW II MILITARY MINIATURES SERIES

UNASSEMBLED PLASTIC MODEL KIT
KIT CONTAINS 11 PARTS
AND CONTAINS MODELS
OF FIVE FIGURES



MiniArt

35118
1:35

MiniArt

UNASSEMBLED PLASTIC MODEL KIT
KIT CONTAINS MODELS OF FIVE FIGURES